

HINGE TYPE OFFSET DISK HARROW

GN 28/32/36D - 3P/PY - EIXO 1.1/4"

Code: 0501093491
Series: S-1220
Revision: 00
Date Revision: MARÇO/2023

PARTS CATALOGUE



MARCHESAN



PRODUCTS

Code	Description
0102110579	GN 28 X 22 X 4,50 MT CM 3P PY E 1.1/4 S-1220
0102110580	GN 32 X 22 X 4,50 MT CM 3P PY E 1.1/4 S-1220
0102110575	GN 36 X 22 X 4,50 MT CM 3P PY E 1.1/4 S-1220

ATTENTION: IMPORTANT

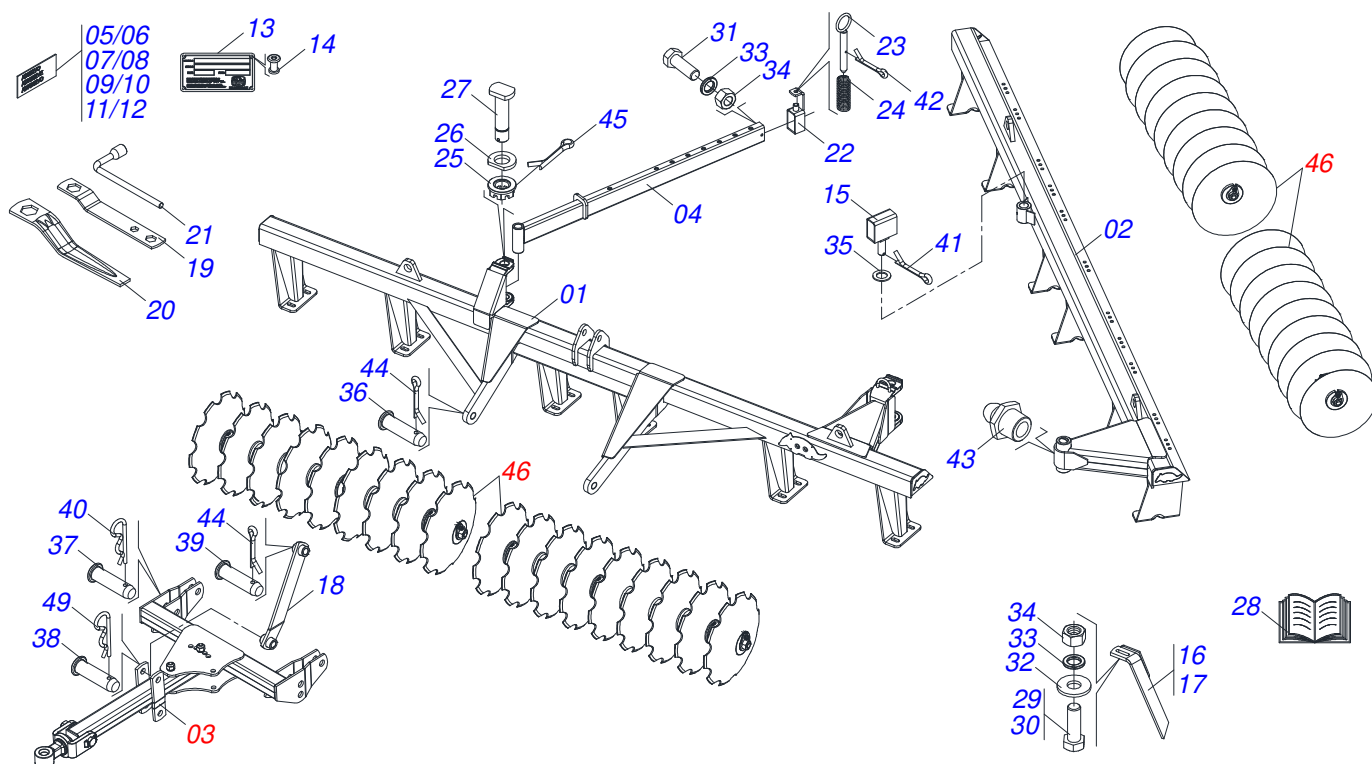
Marchesan S.A. reserves the right to improve and/or modify the technical features of its products, without obligation to do the same with those products already sold and without prior knowledge of the dealer or the customer. The photos are only illustrative.



INDEX

090909666	ASSY FRAME	1
0531040840	DRAWBAR ASSEMBLY	2
0909096667	COMPLETE DISC SECTION	3
0501046913	GX 7" 1-1/4" BEARING ASSY	4

ASSY FRAME



Item	Code	Description	See page	28	32	36
01	0531061987	REAR FRAME - 28D		01	00	00
01..	0531061959	REAR FRAME - 32D		00	01	00
01...	0531061993	REAR FRAME - 36D		00	00	01
02	0531061985	FRONT FRAME - 28D		01	00	00
02.	0531061989	FRONT FRAME - 32D		00	01	00
02..	0531061961	FRONT FRAME - 36D		00	00	01
03	0531040840	DRAWBAR ASSEMBLY	2	01	01	01
04	0531061941	ADJUSTMENT BAR		01	01	01
05	0503034021	LABEL ADHESIVE GN		01	01	01
06	0503035341	ADHESIVE LABEL		01	01	01
07	0503034021	LABEL ADHESIVE GN		01	01	01
08	0503035341	ADHESIVE LABEL		01	01	01
09	0503031428	READ MANUAL DECAL		01	01	01
10	0503031087	ADHESIVE LABEL		01	01	01
11	0503031827	LUBRICATE AND RETIGHTEN DAILY DECAL		01	01	01
12	0503034078	LIFTING POINTS DECAL		04	04	04
13	0503034003	SERIAL NUMBER TAG 61 X 118		01	01	01
14	0503010001	3.2 X 5.5 RIVET		04	04	04
15	0521065232	BAR GUIDE ESTABILIZER PA		01	01	01
16	0501063963	FRONT SCRAPER		09	11	11
17	0501063962	REAR SCRAPER		09	11	11
18	0531061940	ANGLE BAR		01	01	01
19	0511018451	5/8" X 3/4" X 1" UNIVERSAL		01	01	01
20	0501010198	1-1/4" CABLE FLAT WRENCH		02	02	02
21	0501068273	5/8" WRENCH		01	01	01
22	0521065233	BOX LIMITER COURSE		01	01	01
23	0521065234	AXLE LOCK BAR ADJUSTMENT		01	01	01
24	0503034060	COMPRESSION SPRING		01	01	01
25	0501011301	1.1/2 UNC 6FPP 2.5/16 NUT		02	02	02
26	0531019540	FLAT WASHER		02	02	02
27	0531019497	1.5" X 9.2" ARTICULATED AXIS		02	02	02

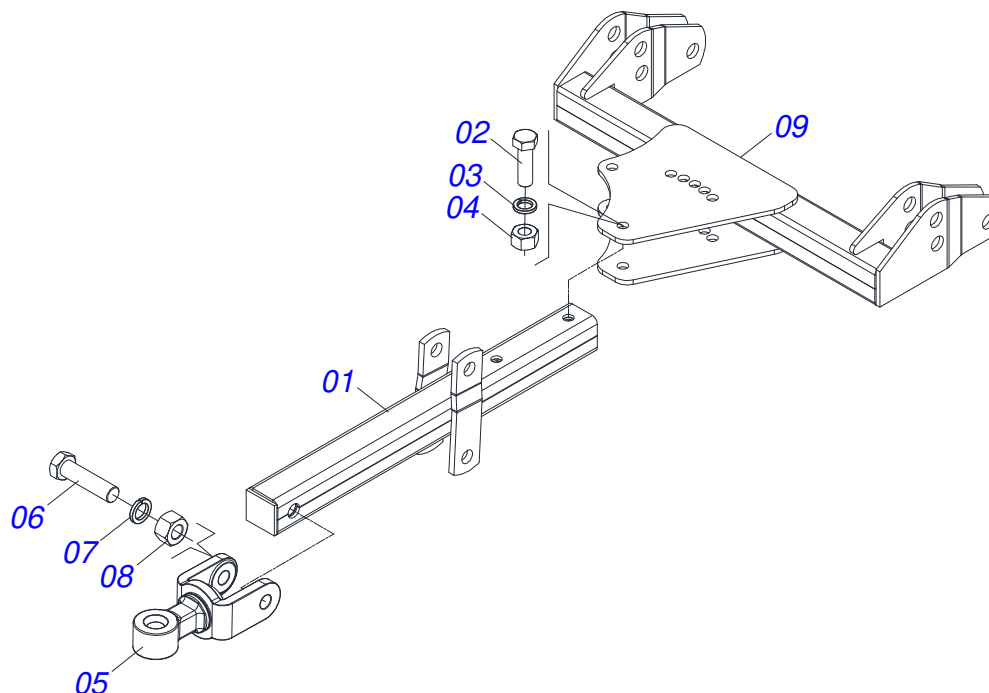


ASSY FRAME

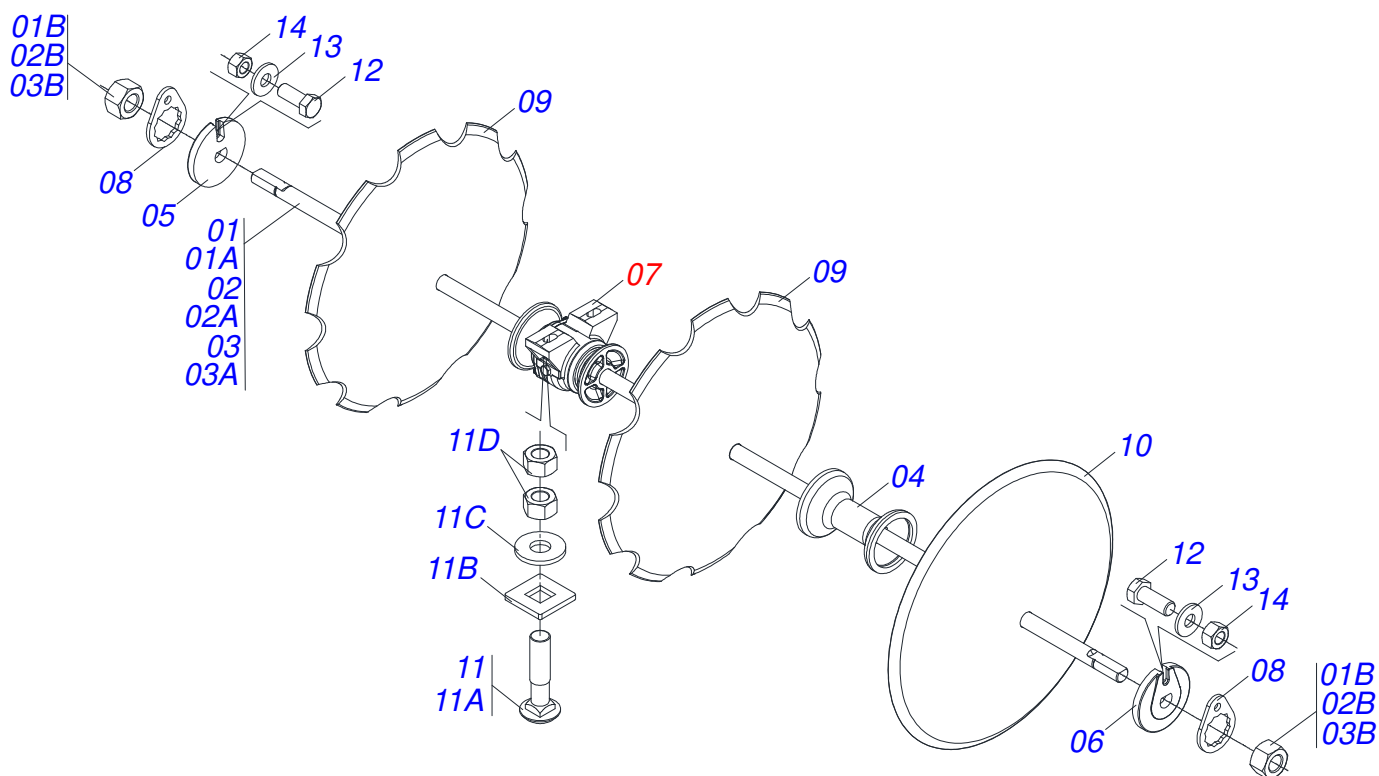
0909096666

Item	Code	Description	See page	28	32	36
28	0501030513	BAG WITH INSTRUCTION MANUAL		01	01	01
29	0501810161	SCREW 1/2 UNC X 1.1/4 C S G.2		02	02	02
30	0503011082	C1/2" X 1.3/4" SCREW		34	42	42
31	0503010741	1/2" X 2-3/4" BOLT		01	01	01
32	0511017302	FLAT WASHER 13,50 X 32,50 X 3,0 ZN		36	44	44
33	0503010019	1/2" SPRING WASHER		37	42	45
34	0503010060	1/2 UNC G.5 ZN HEX NUT		35	42	43
35	0501012916	FLAT WASHER 40 X 66 X 4,75 ZN		01	01	01
36	0521010592	1.1" X 3.1" COUPLING SHAFT		02	02	02
37	0521010593	1.1" X 3.9" COUPLING SHAFT		02	02	02
38	0521010581	0.9" X 4.9" COUPLING SHAFT		02	02	02
39	0521010579	COUPLING SHAFT		01	01	01
40	0503031035	HITCH PIN CLIP		04	04	04
41	0503010073	3/8 X 3-1/2 COTTERPIN		01	01	01
42	0503010131	3/16" X 1-1/2" COTTERPIN		01	01	01
43	0503010002	1800 GREASE FITTING		03	03	03
44	0503010571	1/4" X 1.1/2 COTTERPIN		03	03	03
45	0503010010	1/4" X 2.1/2" COTTERPIN		02	02	02
46	0909096662	COMPLETE DISC SECTION		28	32	36

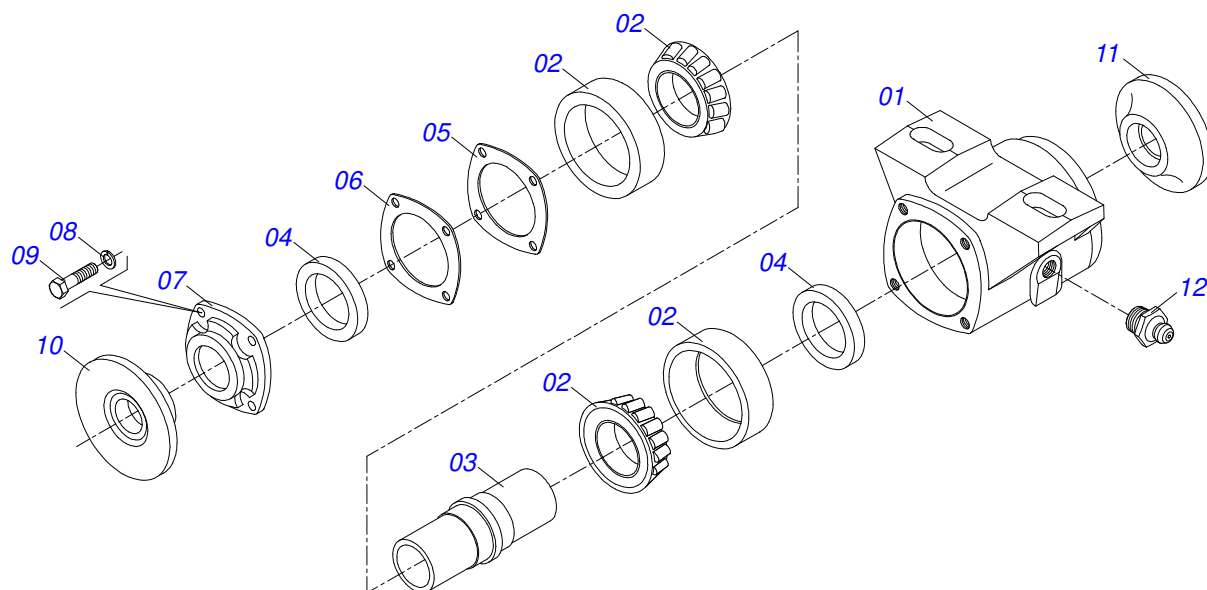
DRAWBAR ASSEMBLY



Item	Code	Description	See page	QT
01	0501060670	DRAWBAR ASSY		01
02	0503011084	3/4" X 5" BOLT		02
03	0503011442	3/4" SPRING WASHER		02
04	0503010014	3/4" HEX NUT		02
05	0521061775	TRACTOR HITCH		01
06	0501010060	1" X 6-1/2" BOLT		01
07	0503011438	SPRING WASHER		01
08	0501010059	1.5/8 NUT		01
09	0531061946	HITCH BAR		01



Item	Code	Description	See page	28	32	36
01	0501042202	1-1/4" X 50" AXLE WITH NUTS		04	00	00
01A	0501016650	1-1/4" X 50" AXLE		01	00	00
01B	0501010087	1.1/4" NUT		02	00	00
02	0501042942	1-1/4" X 58" AXLE WITH NUTS		00	04	00
02A	0501017379	1-1/4" X 58" AXLE		00	01	00
02B	0501010087	1.1/4" NUT		00	02	00
03	0501040694	1-1/4" X 66" AXLE WITH NUTS		00	00	04
03A	0501010439	1-1/4" X 66" AXLE		00	00	01
03B	0501010087	1.1/4" NUT		00	00	02
04	0502010549	7.6" X 1-1/4" SPACER		16	20	20
05	0502010834	1-1/4" INNER AXLE WASHER		04	04	04
06	0502010835	1-1/4" EXTERNAL AXLE WASHER		04	04	04
07	0501046913	GX 7" 1-1/4" BEARING ASSY	4	08	08	12
08	0501010455	1.1/4" NUT LOCK		08	08	08
09	0602029421	DR 22 X 4,5 C64AF02FR1.5/16 10R		14	16	18
10	0601029417	DL 22 X 4,5 C64AF02FR1.5/16		12	14	16
10.	0601027301	DL 20 X 3,5 C57AF02FR1.5/16		02	02	02
11	0501058802	5/8 UNC X 2.3/4 BOLT ASSY		16	16	24
11A	0503015154	5/8" X 2.3/4" BOLT		16	16	24
11B	0501010947	5/8 NUT LOCK		16	16	24
11C	0501012140	FLAT WASHER		16	16	24
11D	0503010013	5/8 NUT		32	32	48
12	0503010395	1/2" X 1-1/4" BOLT		08	08	08
13	0503010019	1/2" SPRING WASHER		08	08	08
14	0503010060	1/2 UNC G.5 ZN HEX NUT		08	08	08



Item	Code	Description	See page	QT
01	0502020313	HOUSING CM		01
02	0503010111	30210 ROLLER BEARING		02
03	0502040218	AXLE		01
04	0503010468	SEAL 01199-GB		02
05	0503030013	4.4" X 3.5" X 0.004" JOINT		02
06	0503030684	4.4" X 3.5" X 0.004" JOINT		01
07	0502020273	HOUSING CAP CM		01
08	0503011443	3/8" SPRING WASHER		04
09	0503810237	3/8 UNC X 1 C S G.5 SA BOLT		04
10	0502010070	OUTER FLANGE		01
11	0502010071	INNER FLANGE		01
12	0503010002	1800 GREASE FITTING		01



MARCHESAN

Technical Publications | Elaboration and Revision

LORENA ROCHA ALVES

www.marchesan.com.br

