

HINGE TYPE OFFSET DISK HARROW

GN 28/32/36D - PA/3P/PY - AXLE 1.14"

Code: 0501093490

Series: S-1220

Revision: 00

Date Revision: MARÇO/2023

PARTS CATALOGUE



MARCHESAN



PRODUCTS

Code	Description
0102110660	GN 28 X 22 X 4,50 DR CM PA 3P PY E 1.1/4 S-1220
0102110578	GN 28 X 22 X 4,50 MT CM PA 3P PY E 1.1/4 S-1220
0102110576	GN 32 X 22 X 4,50 MT CM PA 3P PY E 1.1/4 S-1220
0102110658	GN 32 X 22 X 4,50 MT DM PA 3P PY E 1.1/4 S-1220
0102110577	GN 36 X 22 X 4,50 MT CM PA 3P PY E 1.1/4 S-1220

ATTENTION: IMPORTANT

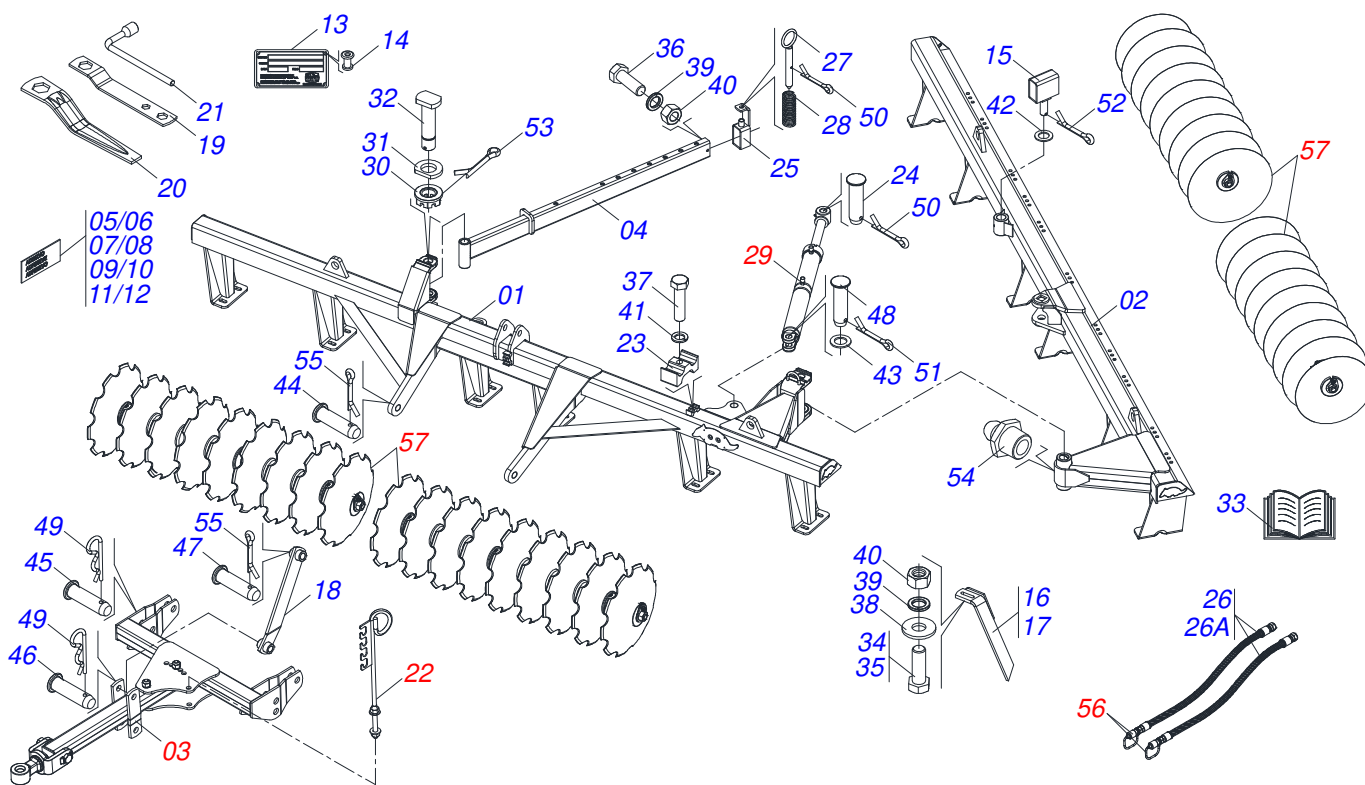
Marchesan S.A. reserves the right to improve and/or modify the technical features of its products, without obligation to do the same with those products already sold and without prior knowledge of the dealer or the customer. The photos are only illustrative.



INDEX

0909096661	ASSY FRAME	1
0531040840	DRAWBAR ASSEMBLY	2
0531040839	3/4 X 675 HOSE SUPPORT	3
0531050654	44,45 X 76,20 X 1084 X 207 HYDRAULIC CYLINDER	4
0501053834	MALE QUICK COUPLER	5
0909096662	COMPLETE DISC SECTION	6
0501046913	GX 7" 1-1/4" BEARING ASSY	7

ASSY FRAME



Item	Code	Description	See page	28	32	36
01	0531061948	28D - REAR FRAME		01	00	00
01..	0531061977	32D - REAR FRAME		00	01	00
01...	0531061983	36D - REAR FRAME		00	00	01
02	0531061962	28D - FRONT FRAME		01	00	00
02..	0531061979	32D - FRONT FRAME		00	01	00
02...	0531061981	36D - FRONT FRAME		00	00	01
03	0531040840	DRAWBAR ASSEMBLY	2	01	01	01
04	0531061941	ADJUSTMENT BAR		01	01	01
05	0503034021	LABEL ADHESIVE GN		01	01	01
06	0503035341	ADHESIVE LABEL		01	01	01
07	0503034021	LABEL ADHESIVE GN		01	01	01
08	0503035341	ADHESIVE LABEL		01	01	01
09	0503031428	READ MANUAL DECAL		01	01	01
10	0503031087	ADHESIVE LABEL		01	01	01
11	0503031827	LUBRICATE AND RETIGHTEN DAILY DECAL		01	01	01
12	0503034078	LIFTING POINTS DECAL		04	04	04
13	0503034003	SERIAL NUMBER TAG 61 X 118		01	01	01
14	0503010001	3.2 X 5.5 RIVET		04	04	04
15	0521065232	BAR GUIDE ESTABILIZER PA		01	01	01
16	0501063963	FRONT SCRAPER		09	11	11
17	0501063962	REAR SCRAPER		09	11	11
18	0531061940	ANGLE BAR		01	01	01
19	0511018451	5/8" X 3/4" X 1" UNIVERSAL		01	01	01
20	0501010198	1-1/4" CABLE FLAT WRENCH		02	02	02
21	0501068273	5/8" WRENCH		01	01	01
22	0531040839	3/4 X 675 HOSE SUPPORT	3	01	01	01
23	0502012702	BODY SUPPORT CLAMP		02	02	02
24	0521013077	1.2" X 5.7" PIVOT SHAFT		01	01	01
25	0521065233	BOX LIMITER COURSE		01	01	01
26	0501051049	HOSE KIT		01	01	01
26A	0501080363	3/8" X 177" TR-TM HOSE ASSY		02	02	02

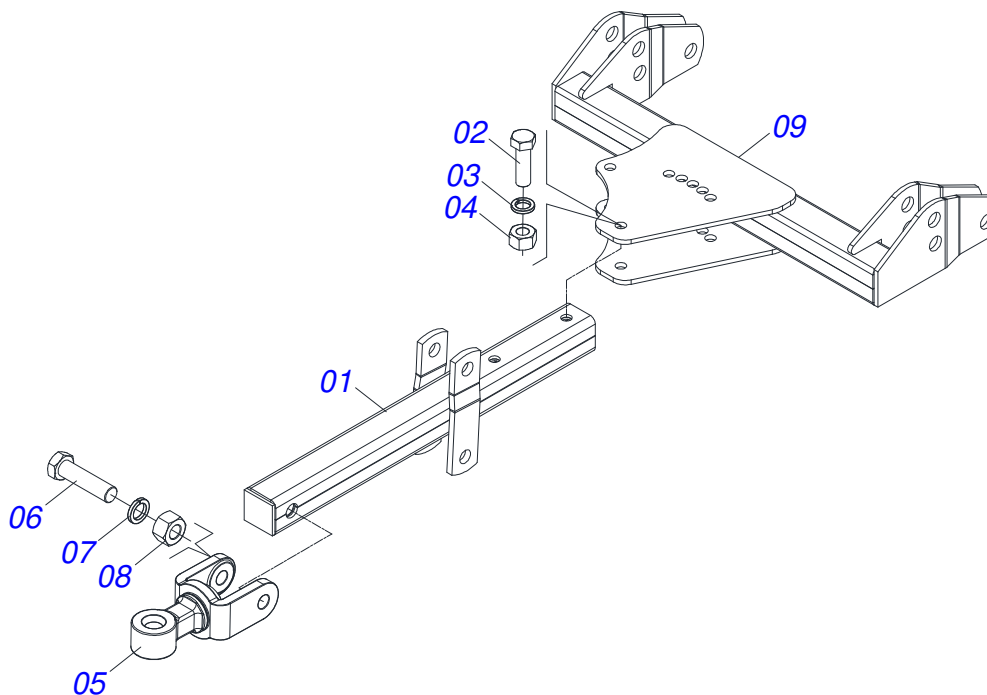


ASSY FRAME

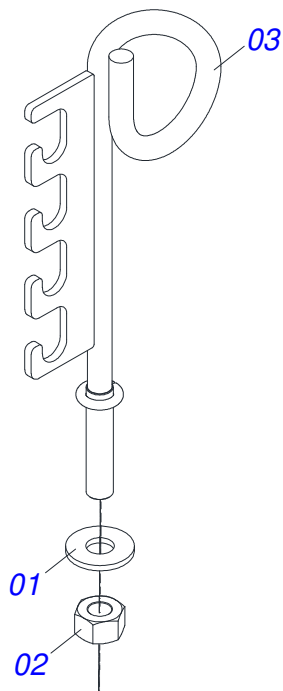
0909096661

Item	Code	Description	See page	28	32	36
27	0521065234	AXLE LOCK BAR ADJUSTMENT		01	01	01
28	0503034060	COMPRESSION SPRING		01	01	01
29	0531050654	44,45 X 76,20 X 1084 X 207 HYDRAULIC CYLINDER	4	01	01	01
30	0501011301	1.1/2 UNC 6FPP 2.5/16 NUT		02	02	02
31	0531019540	FLAT WASHER		02	02	02
32	0531019497	1.5" X 9.2" ARTICULATED AXIS		02	02	02
33	0501030513	BAG WITH INSTRUCTION MANUAL		01	01	01
34	0501810161	SCREW 1/2 UNC X 1.1/4 C S G.2		02	02	02
35	0503011082	C1/2" X 1.3/4" SCREW		34	42	42
36	0503010741	1/2" X 2-3/4" BOLT		01	01	01
37	0503012555	SCREW 7/16 UNC X 2 CS RT G.7 ZN		02	02	02
38	0511017302	FLAT WASHER 13,50 X 32,50 X 3,0 ZN		36	44	44
39	0503010019	1/2" SPRING WASHER		37	42	45
40	0503010060	1/2 UNC G.5 ZN HEX NUT		35	42	43
41	0503010180	7/16" SPRING WASHER		01	01	00
42	0501012916	FLAT WASHER 40 X 66 X 4,75 ZN		01	01	01
43	0501017779	32 X 60 X 4.75 FLAT WASHER		01	01	01
44	0521010592	1.1" X 3.1" COUPLING SHAFT		02	02	02
45	0521010593	1.1" X 3.9" COUPLING SHAFT		02	02	02
46	0521010581	0.9" X 4.9" COUPLING SHAFT		02	02	02
47	0521010579	COUPLING SHAFT		01	01	01
48	0521010779	31.75 X 95 COUPLING SHAFT		01	01	01
49	0503031035	HITCH PIN CLIP		04	04	04
50	0503010131	3/16" X 1-1/2" COTTERPIN		01	01	01
51	0503010523	1/4" X 2" COTTERPIN		02	02	02
52	0503010073	3/8 X 3-1/2 COTTERPIN		01	01	01
53	0503010010	1/4" X 2.1/2" COTTERPIN		02	02	02
54	0503010002	1800 GREASE FITTING		03	03	03
55	0503010571	1/4" X 1.1/2 COTTERPIN		03	03	03
56	0501053834	MALE QUICK COUPLER	5	02	02	02
57	0909096662	COMPLETE DISC SECTION	6	28	32	36

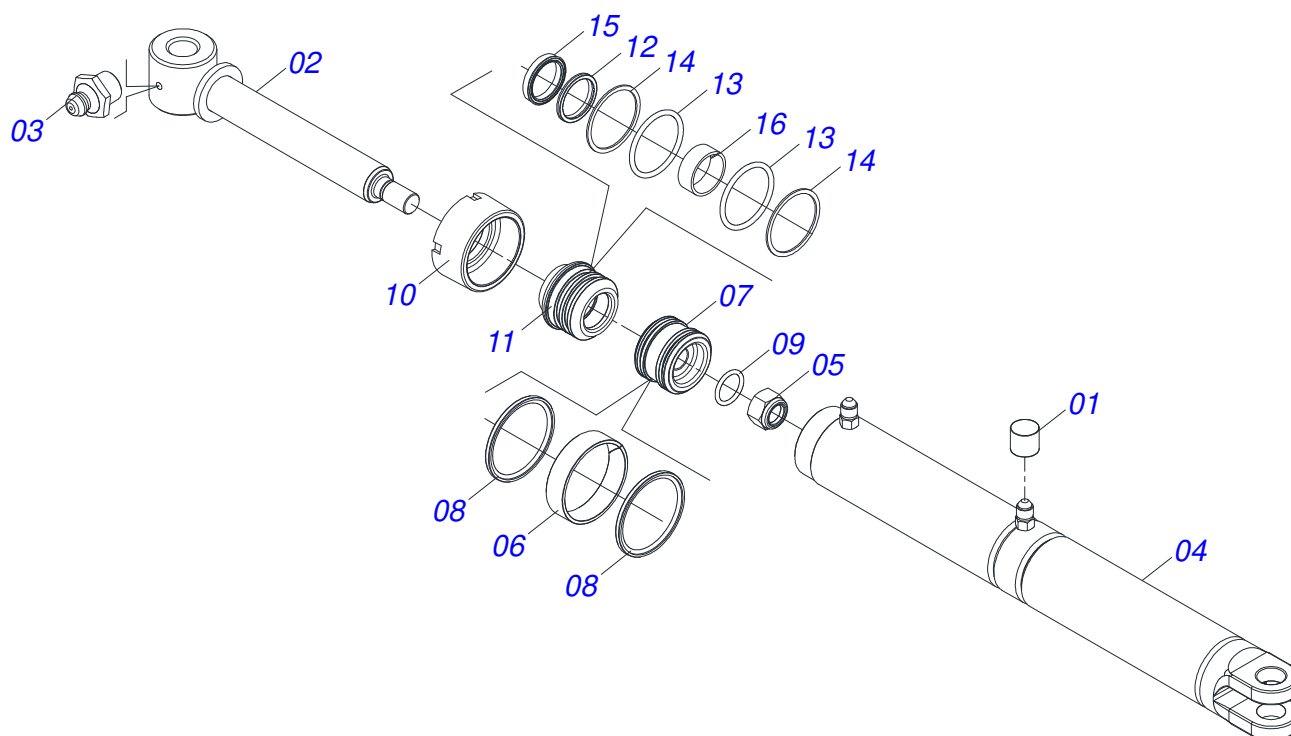
DRAWBAR ASSEMBLY



Item	Code	Description	See page	QT
01	0501060670	DRAWBAR ASSY		01
02	0503011084	3/4" X 5" BOLT		02
03	0503011442	3/4" SPRING WASHER		02
04	0503010014	3/4" HEX NUT		02
05	0521061775	TRACTOR HITCH		01
06	0501010060	1" X 6-1/2" BOLT		01
07	0503011438	SPRING WASHER		01
08	0501010059	1.5/8 NUT		01
09	0531061946	HITCH BAR		01

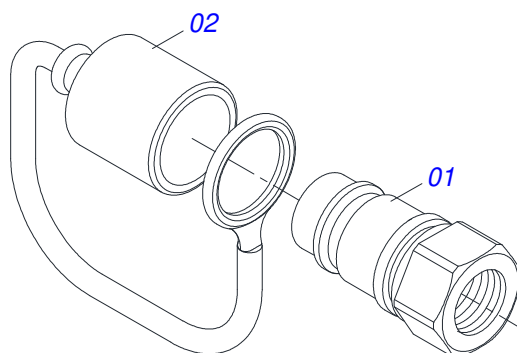


Item	Code	Description	See page	QT
01	0501010322	FLAT WASHER		02
02	0503010014	3/4" HEX NUT		02
03	0521063508	HOSE SUPPORT		01



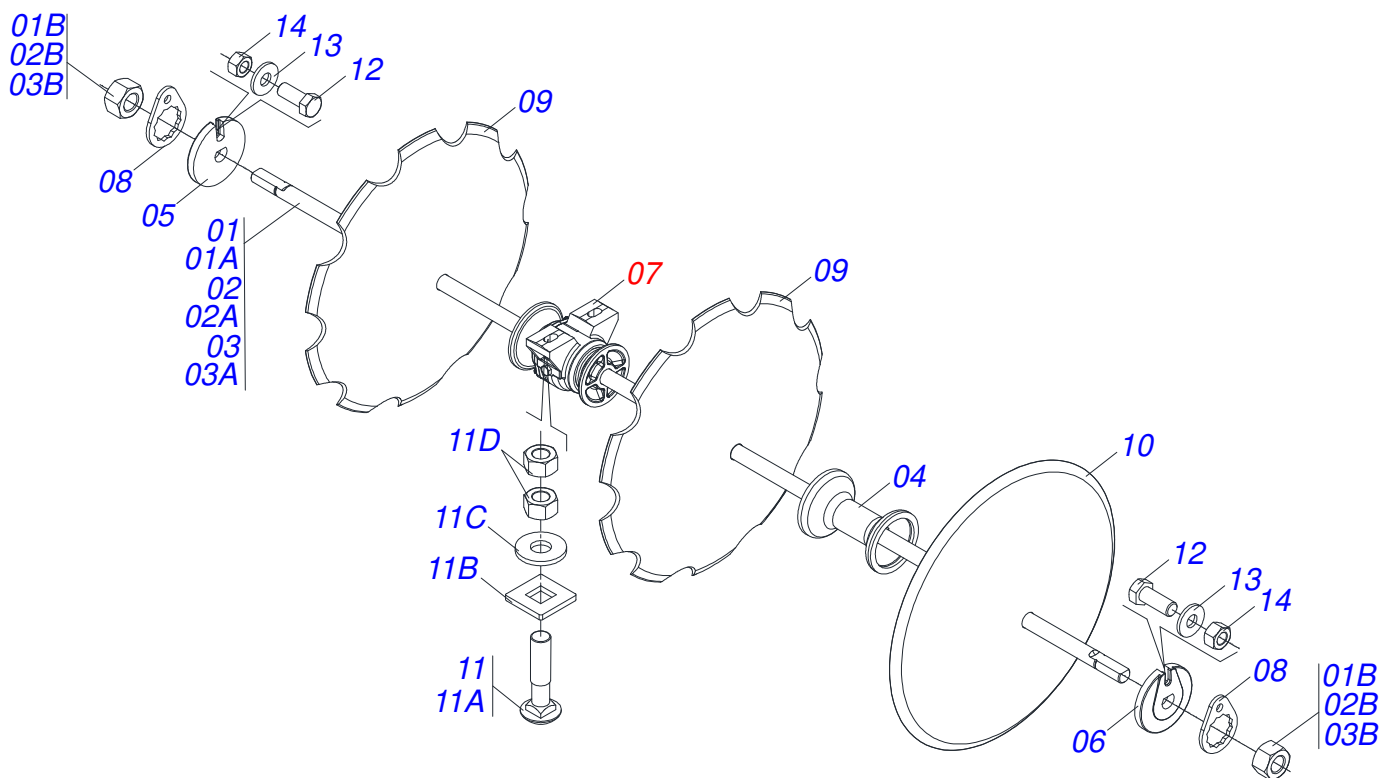
Item	Code	Description	See page	QT
01	0503030385	CYLINDER PLUG N-002		02
02	0531061975	44,45 X 426 EXTENSOR		01
03	0503010002	1800 GREASE FITTING		01
04	0531061974	HYDRAULIC CYLINDER EXTENDED BARREL		01
05	0503010063	1" SELF-ALIGNING NUT		01
06	0503018140	RING GUIDE		01
07	0581010304	PISTON		01
08	0503018138	RING BS		02
09	0503010042	2-214 N 3006-9B O'RING		01
10	0502011899	MOBILE COVER		01
11	0581010301	RING SUPPORT		01
12	0503010761	D-1750 SCRAPER RING		01
13	0503010343	2-334 N 3006-9B O'RING		02
14	0503011059	8-334 BACK-UP RING		02
15	0503017937	GASKET		01
16	0503017938	RING GUIDE		01

MALE QUICK COUPLER

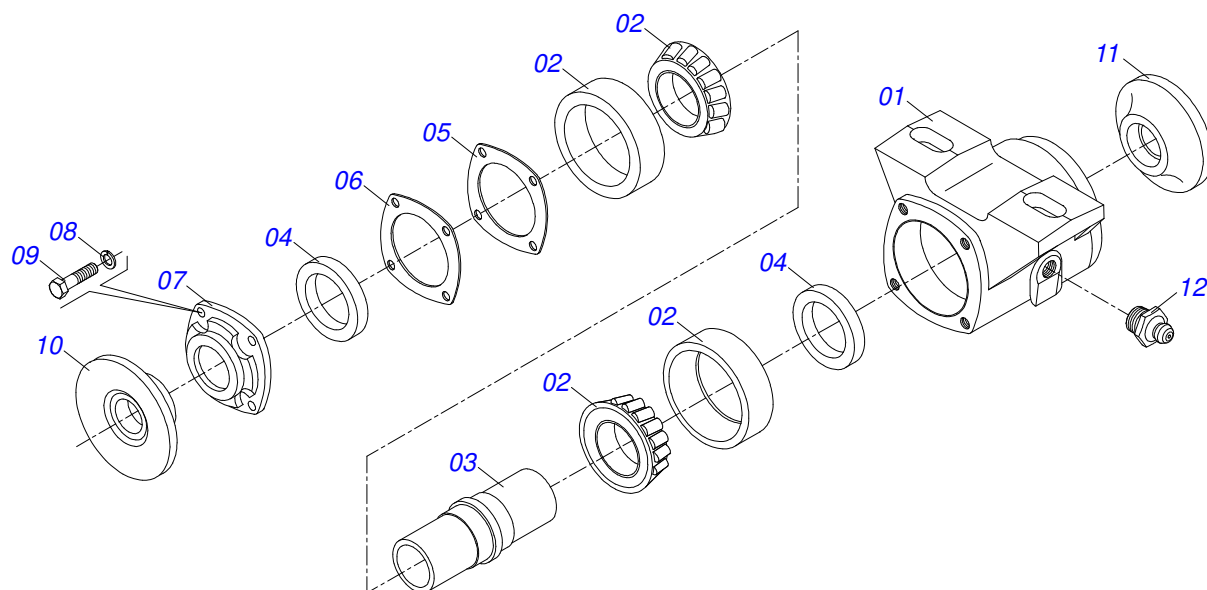


Item	Code	Description	See page	QT
01	0503011627	MALE QUICK COUPLER AGR 1/2 NPT		01
02	0503011882	MALE QUICK COUPLER CAP		01

COMPLETE DISC SECTION



Item	Code	Description	See page	28	32	36
01	0501042202	1-1/4" X 50" AXLE WITH NUTS		04	00	00
01A	0501016650	1-1/4" X 50" AXLE		01	00	00
01B	0501010087	1.1/4" NUT		02	00	00
02	0501042942	1-1/4" X 58" AXLE WITH NUTS		00	04	00
02A	0501017379	1-1/4" X 58" AXLE		00	01	00
02B	0501010087	1.1/4" NUT		00	02	00
03	0501040694	1-1/4" X 66" AXLE WITH NUTS		00	00	04
03A	0501010439	1-1/4" X 66" AXLE		00	00	01
03B	0501010087	1.1/4" NUT		00	00	02
04	0502010549	7.6" X 1-1/4" SPACER		16	20	20
05	0502010834	1-1/4" INNER AXLE WASHER		04	04	04
06	0502010835	1-1/4" EXTERNAL AXLE WASHER		04	04	04
07	0501046913	GX 7" 1-1/4" BEARING ASSY	7	08	08	12
08	0501010455	1.1/4" NUT LOCK		08	08	08
09	0602029421	DR 22 X 4,5 C64AF02FR1.5/16 10R		26	16	18
09.	0602027340	DR 20 X 3,5 C57AF02FR1.5/16 10R		02	00	00
10	0601029417	DL 22 X 4,5 C64AF02FR1.5/16		12	14	16
10.	0601027301	DL 20 X 3,5 C57AF02FR1.5/16		02	02	02
11	0501058802	5/8 UNC X 2.3/4 BOLT ASSY		16	16	24
11A	0503015154	5/8" X 2.3/4" BOLT		16	16	24
11B	0501010947	5/8 NUT LOCK		16	16	24
11C	0501012140	FLAT WASHER		16	16	24
11D	0503010013	5/8 NUT		32	32	48
12	0503010395	1/2" X 1-1/4" BOLT		08	08	08
13	0503010019	1/2" SPRING WASHER		08	08	08
14	0503010060	1/2 UNC G.5 ZN HEX NUT		08	08	08



Item	Code	Description	See page	QT
01	0502020313	HOUSING CM		01
02	0503010111	30210 ROLLER BEARING		02
03	0502040218	AXLE		01
04	0503010468	SEAL 01199-GB		02
05	0503030013	4.4" X 3.5" X 0.004" JOINT		02
06	0503030684	4.4" X 3.5" X 0.004" JOINT		01
07	0502020273	HOUSING CAP CM		01
08	0503011443	3/8" SPRING WASHER		04
09	0503810237	3/8 UNC X 1 C S G.5 SA BOLT		04
10	0502010070	OUTER FLANGE		01
11	0502010071	INNER FLANGE		01
12	0503010002	1800 GREASE FITTING		01



MARCHESAN

Technical Publications | Elaboration and Revision

LORENA ROCHA ALVES

www.marchesan.com.br

