

PCA - AGRICULTURAL FRONT LOADER

PCA 600 MF 4265/4275/4283/4290 - BT-SC

Code: 0501093479

Series: S-0317

Revision: 00

Date Revision: JANEIRO/2023

PARTS CATALOGUE



MARCHESAN



PRODUCTS

Code	Description
0106112195	PCA 600 MF 4265A4290 BT SC ESP S-0317

ATTENTION: IMPORTANT

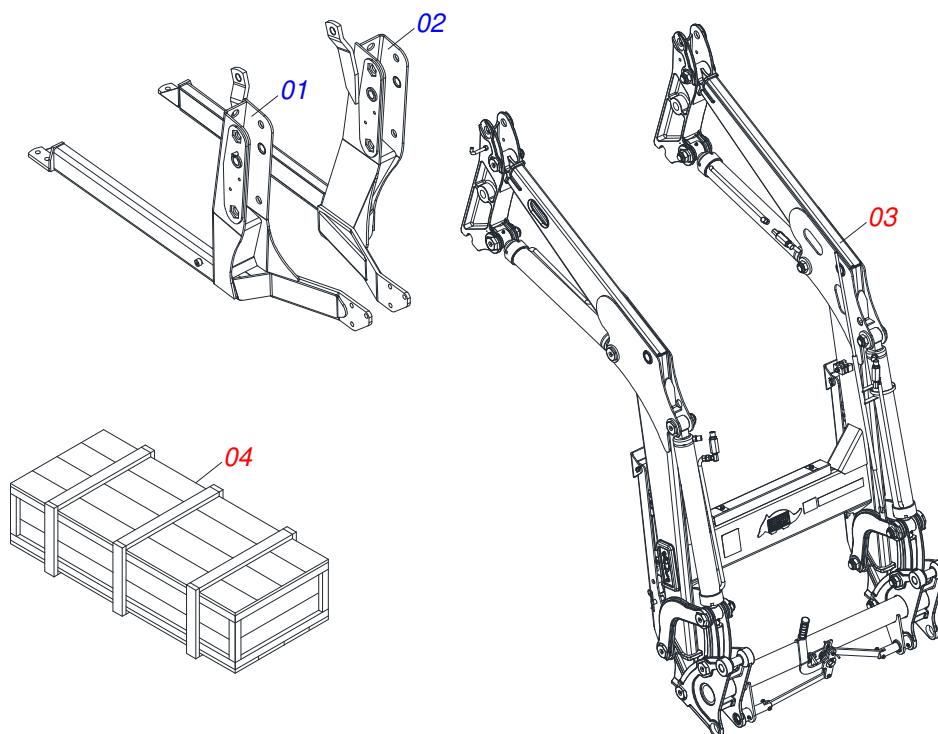
Marchesan S.A. reserves the right to improve and/or modify the technical features of its products, without obligation to do the same with those products already sold and without prior knowledge of the dealer or the customer. The photos are only illustrative.



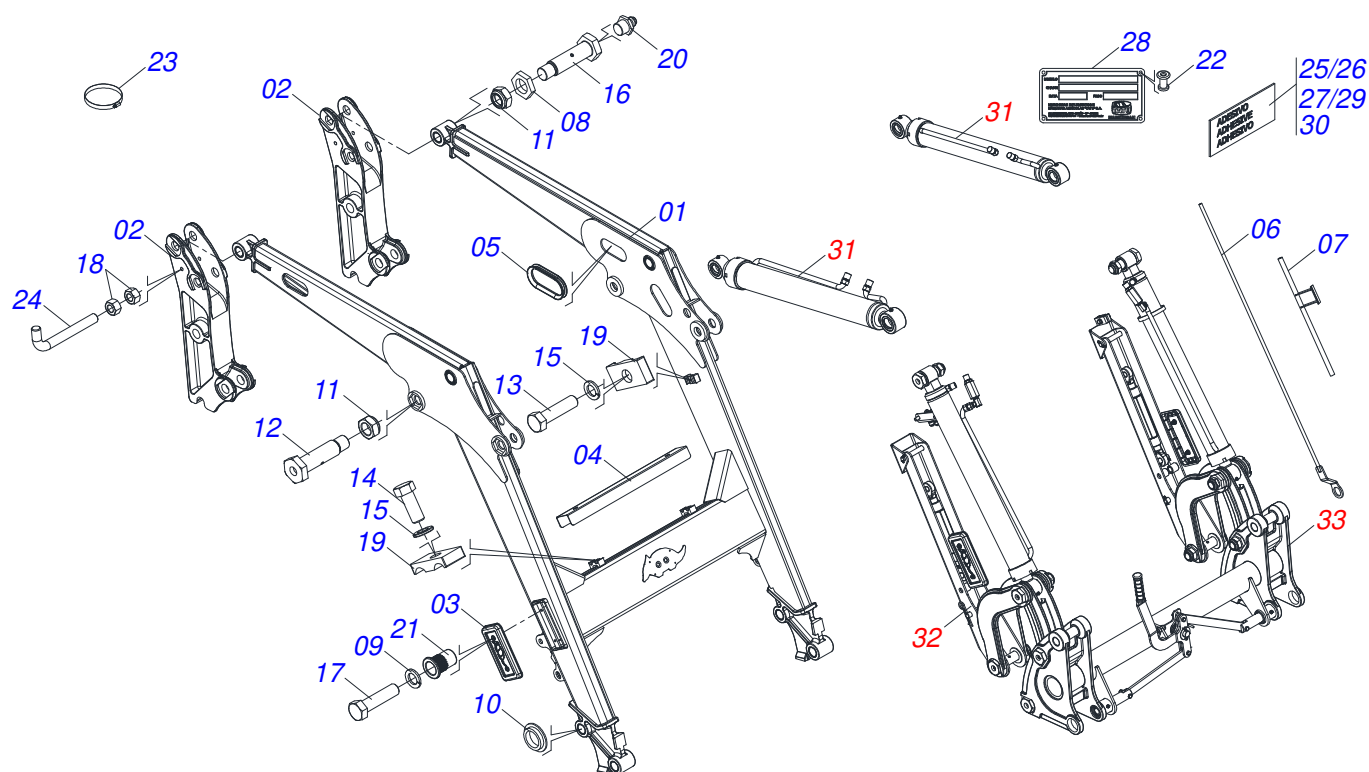
INDEX

0909096627	ASSY FRAME	1
0531044033	MOBILE SUPPORT ASSY	2
0909096624	HYDRAULIC ASSEMBLY	3
0521050256	RIGHT HYDRAULIC CYLINDER Ø44,45 X 76,20 X 845 X 555	4
0521050255	LEFT HYDRAULIC CYLINDER Ø44,45 X 76,20 X 845 X 555	5
0521045380	RIGHT HYDRAULIC CYLINDER Ø44,45 X 76,10 X 918	6
0521045379	LEFT HYDRAULIC CYLINDER Ø44,45 X 76,10 X 918	7
0511057772	SECURITY VALVE ASSY	8
0909096625	JACK ASSEMBLY	9
0909096626	ARTICULATION ASSEMBLY	10
0521029174	BOX WITH COMPONENTS	11
0501043212	ROD 1.1/4" NC X 3.818" ASSY	12
0511032658	PACKED PARTS	13
0501053834	MALE QUICK COUPLER	14

ASSY FRAME



Item	Code	Description	See page	QT
01	0531064898	RIGHT CHASSIS HIGH RESISTANCE MATERIAL		01
02	0531064895	HIGH RESISTANCE MATERIAL LEFT CHASSIS		01
03	0531044033	MOBILE SUPPORT ASSY	2	01
04	0521029174	BOX WITH COMPONENTS	11	01



Item	Code	Description	See page	QT
01	0531062878	MOBILE SUPPORT		01
02	0502012950	TOWER		02
03	0503035448	COVER		02
04	0501217671	HOSE PROTECTION		01
05	0503034364	HOSE PROTECTOR		02
06	0531065451	LEVELING ROD		01
07	0531065450	GUIDE STICK		01
08	0501216423	WASHER HEX 37,8 X 58 X 9,50		02
09	0503010143	1/4" SPRING WASHER		04
10	0591010982	WASHER SPACER		04
11	0503010044	1-1/4" SELF LOCKING NUT		08
12	0571018265	1.1/4" UNF X 112 ZN BOLT		04
13	0503012555	SCREW 7/16 UNC X 2 CS RT G.7 ZN		03
14	0503011338	7/16" X 1" BOLT		02
15	0503010180	7/16" SPRING WASHER		05
16	0571018264	1.1/4" UNF X 149 ZN BOLT		04
17	0503010461	1/4" X 1" BOLT		04
18	0503010060	1/2 UNC G.5 ZN HEX NUT		02
19	1902010477	UPPER CLAMP BODY		04
20	0503010002	1800 GREASE FITTING		12
21	0503019901	INTERNAL THREAD RIVET RM 1/4 P30S		04
22	0503010001	3.2 X 5.5 RIVET		04
23	0503011372	102 TO 121 CLAMP		01
24	0581010285	CONTROL LOCKING HOOK		01
25	0503031087	ADHESIVE LABEL		01
26	0503031428	READ MANUAL DECAL		01
27	0503031827	LUBRICATE AND RETIGHTEN DAILY DECAL		01
28	0503034003	SERIAL NUMBER TAG 61 X 118		01
29	0503034078	LIFTING POINTS DECAL		01
30	0503062658	SET LABEL ADHESIVE		01
31	0909096624	HYDRAULIC ASSEMBLY	3	01

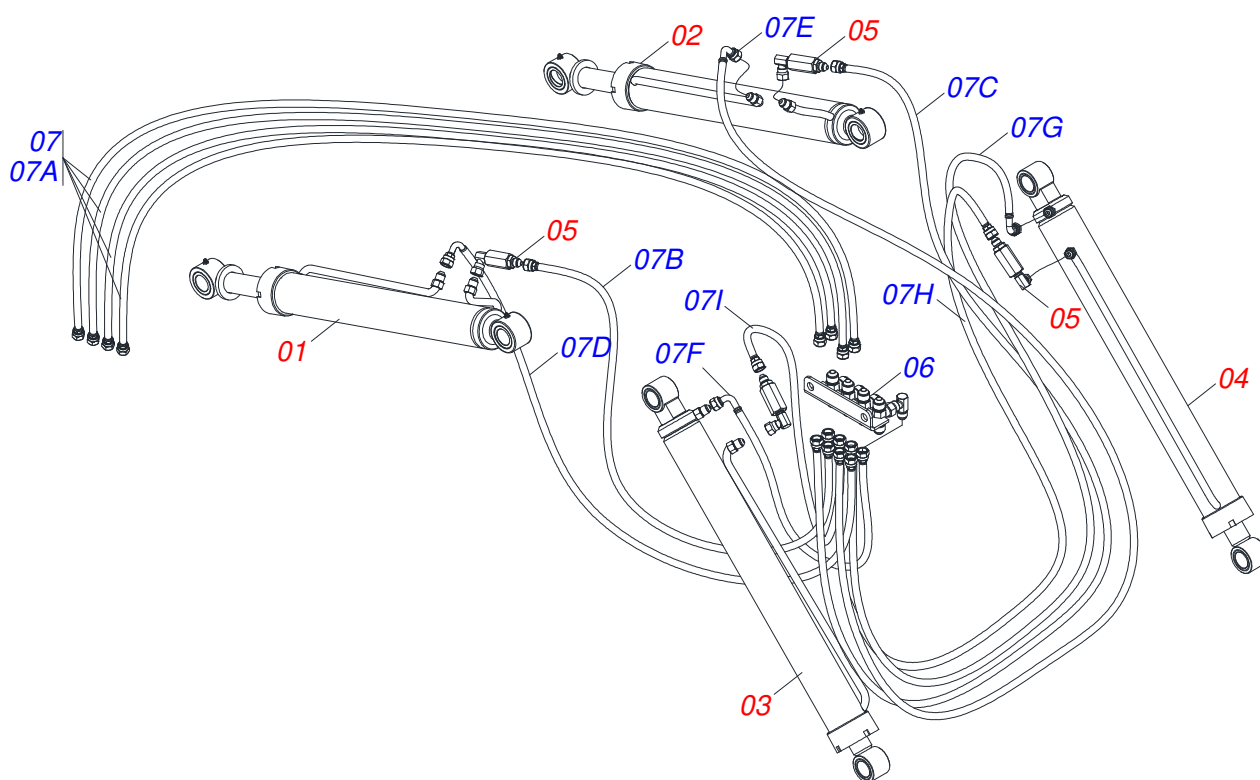


MOBILE SUPPORT ASSY

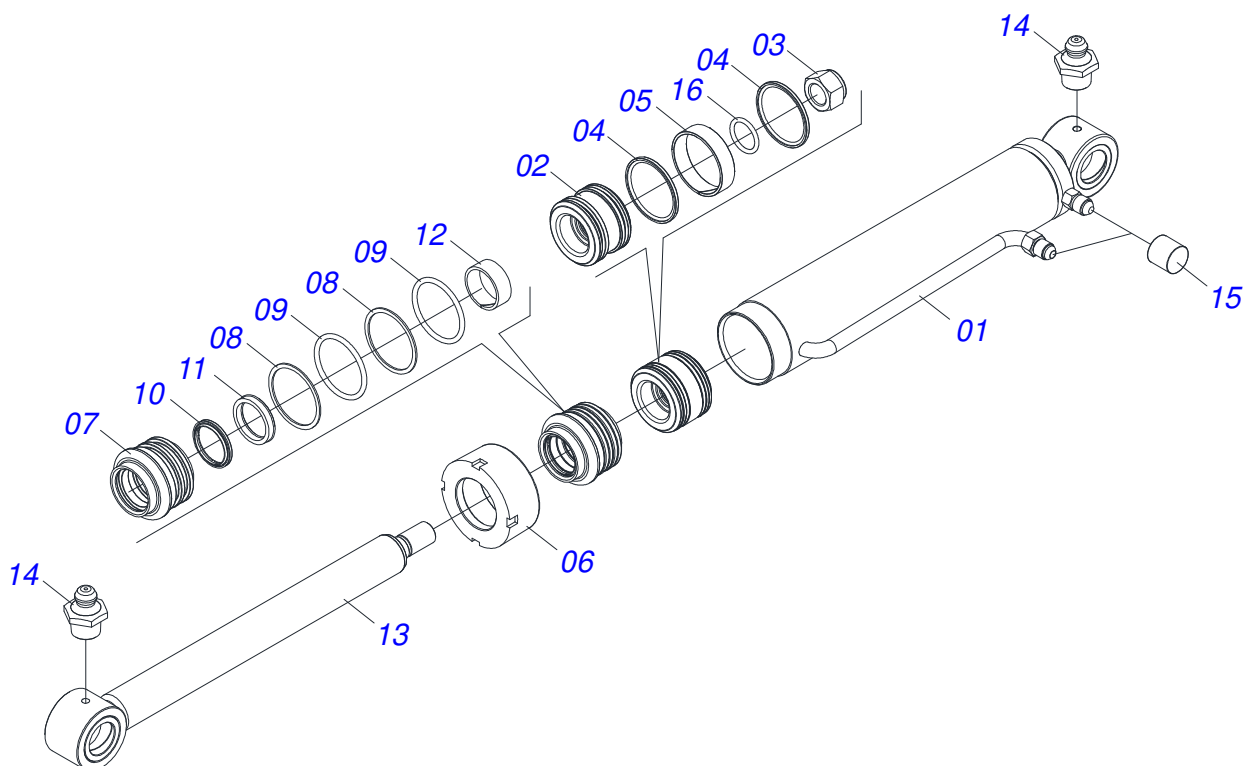
0531044033

Item	Code	Description	See page	QT
32	0909096625	JACK ASSEMBLY	9	01
33	0909096626	ARTICULATION ASSEMBLY	10	01

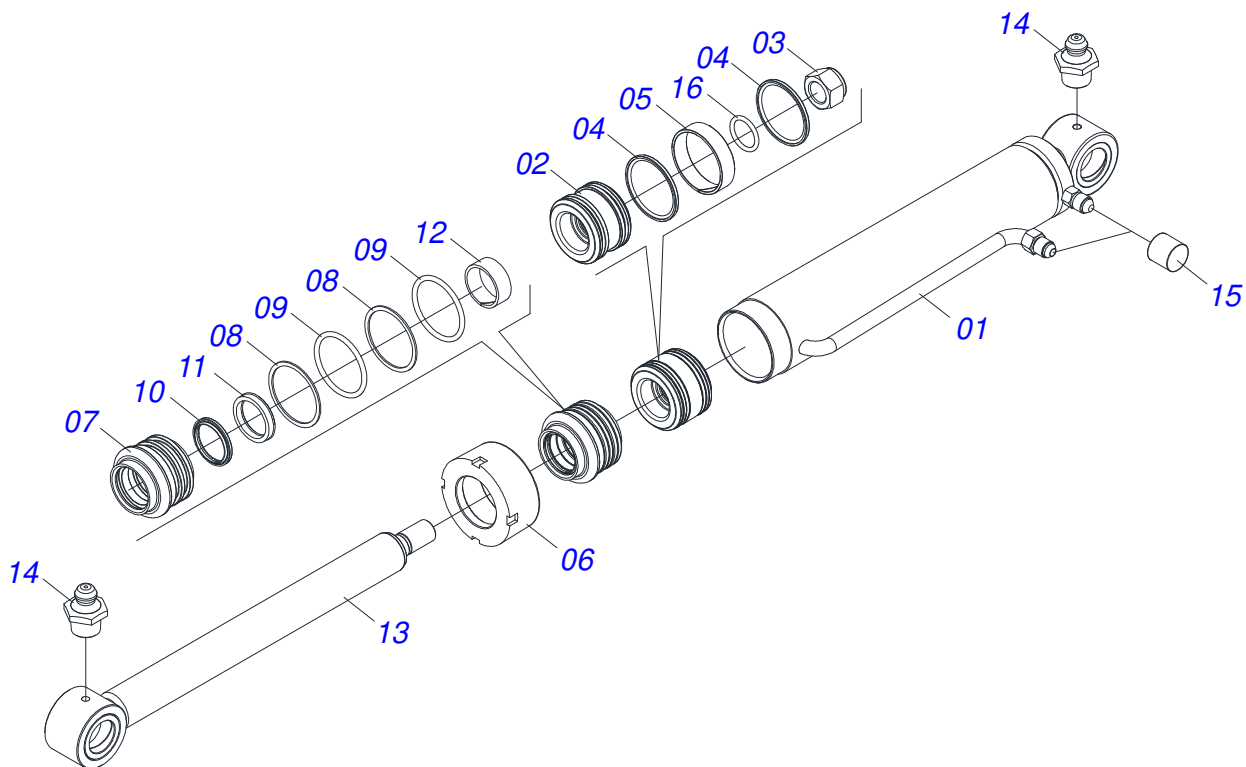
HYDRAULIC ASSEMBLY



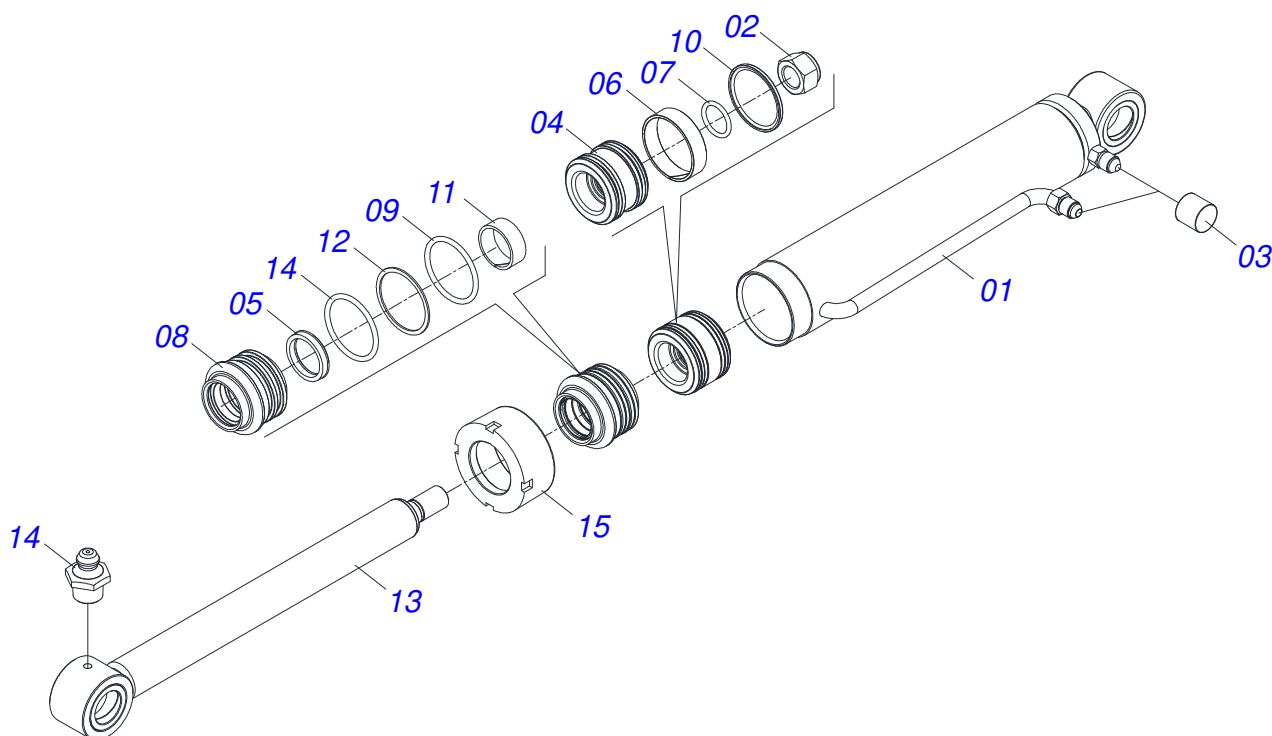
Item	Code	Description	See page	QT
01	0521050256	RIGHT HYDRAULIC CYLINDER Ø44,45 X 76,20 X 4 845 X 555		01
02	0521050255	LEFT HYDRAULIC CYLINDER Ø44,45 X 76,20 X 845 X 555		01
03	0521045380	RIGHT HYDRAULIC CYLINDER Ø44,45 X 76,10 X 6 918		01
04	0521045379	LEFT HYDRAULIC CYLINDER Ø44,45 X 76,10 X 918	7	01
05	0511057772	SECURITY VALVE ASSY	8	04
06	0521069023	HOSE DIVIDER PCA 600 2C		02
07	0511056982	HOSE SET MOBILE SUPPORT		01
07A	0501080452	3/8" X 98" TR-TR HOSE		04
07B	0501080127	HOSE		01
07C	0501080483	3/8" X 86,6" TR-TR HOSE		01
07D	0501080348	3/8 X 1200 TR-TC HOSE		01
07E	0501080451	3/8" X 94.5" TR-TC HOSE ASSY		01
07F	0501080375	3/8 X 600 TR-TC HOSE		01
07G	0501080419	3/8 X 2100 TR-TC HOSE		01
07H	0501080320	3/8" X 82,6" TR-TR HOSE		01
07I	0501080027	3/8 X 1000 TR-TR HOSE		01



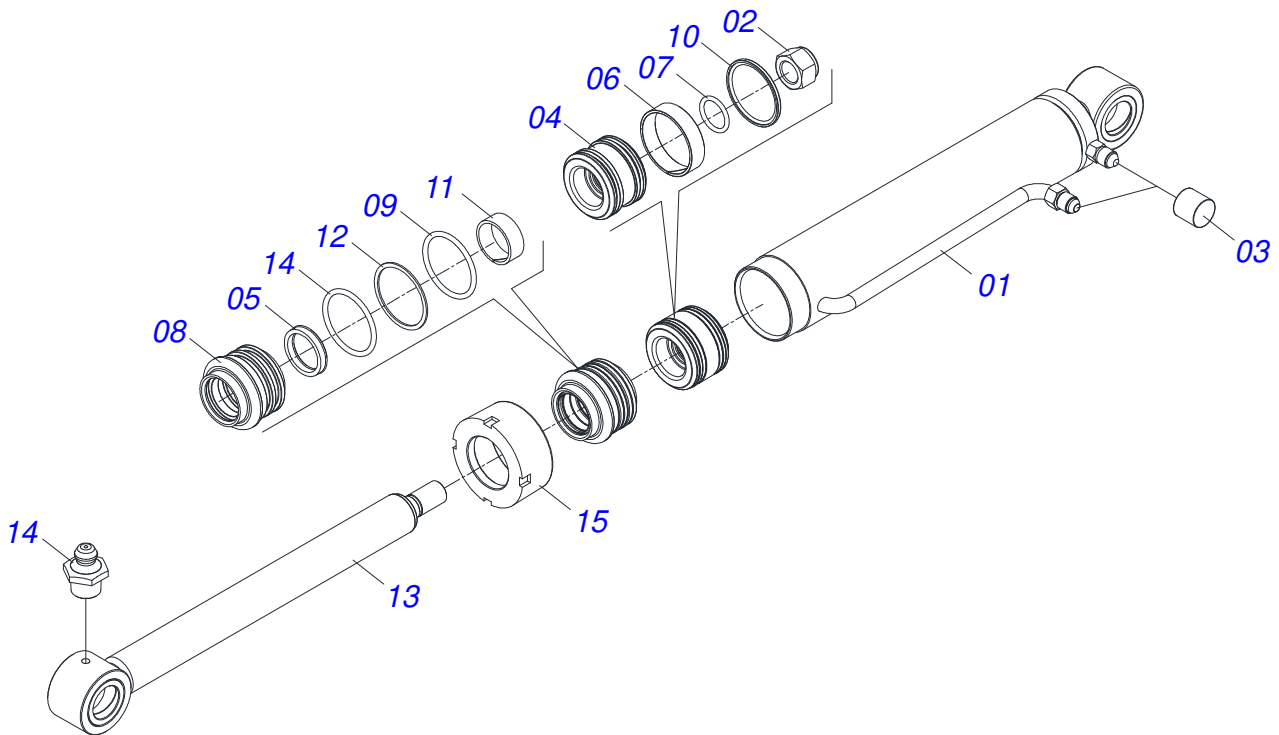
Item	Code	Description	See page	QT
01	0521067485	76,20 X 740,50 RIGHT CYLINDER CASE		01
02	0581010304	PISTON		01
03	0503010063	1" SELF-ALIGNING NUT		01
04	0503018138	RING BS		02
05	0503018140	RING GUIDE		01
06	0502011899	MOBILE COVER		01
07	0581010301	RING SUPPORT		01
08	0503011059	8-334 BACK-UP RING		02
09	0503010343	2-334 N 3006-9B O'RING		02
10	0503010761	D-1750 SCRAPER RING		01
11	0503017937	GASKET		01
12	0503017938	RING GUIDE		01
13	0521067543	44,45 X 774 AIR TURNBUCKLE		01
14	0503010002	1800 GREASE FITTING		02
15	0503030385	CYLINDER PLUG N-002		02
16	0503010042	2-214 N 3006-9B O'RING		01
17	0511032293	HYDRAULIC CYLINDER REPAIR KIT		01



Item	Code	Description	See page	QT
01	0521067486	76,20 X 740,50 LEFT CYLINDER CASE		01
02	0581010304	PISTON		01
03	0503010063	1" SELF-ALIGNING NUT		01
04	0503018138	RING BS		02
05	0503018140	RING GUIDE		01
06	0502011899	MOBILE COVER		01
07	0581010301	RING SUPPORT		01
08	0503011059	8-334 BACK-UP RING		02
09	0503010343	2-334 N 3006-9B O'RING		02
10	0503010761	D-1750 SCRAPER RING		01
11	0503017937	GASKET		01
12	0503017938	RING GUIDE		01
13	0521067543	44,45 X 774 AIR TURNBUCKLE		01
14	0503010002	1800 GREASE FITTING		02
15	0503030385	CYLINDER PLUG N-002		02
16	0503010042	2-214 N 3006-9B O'RING		01
17	0511032293	HYDRAULIC CYLINDER REPAIR KIT		01

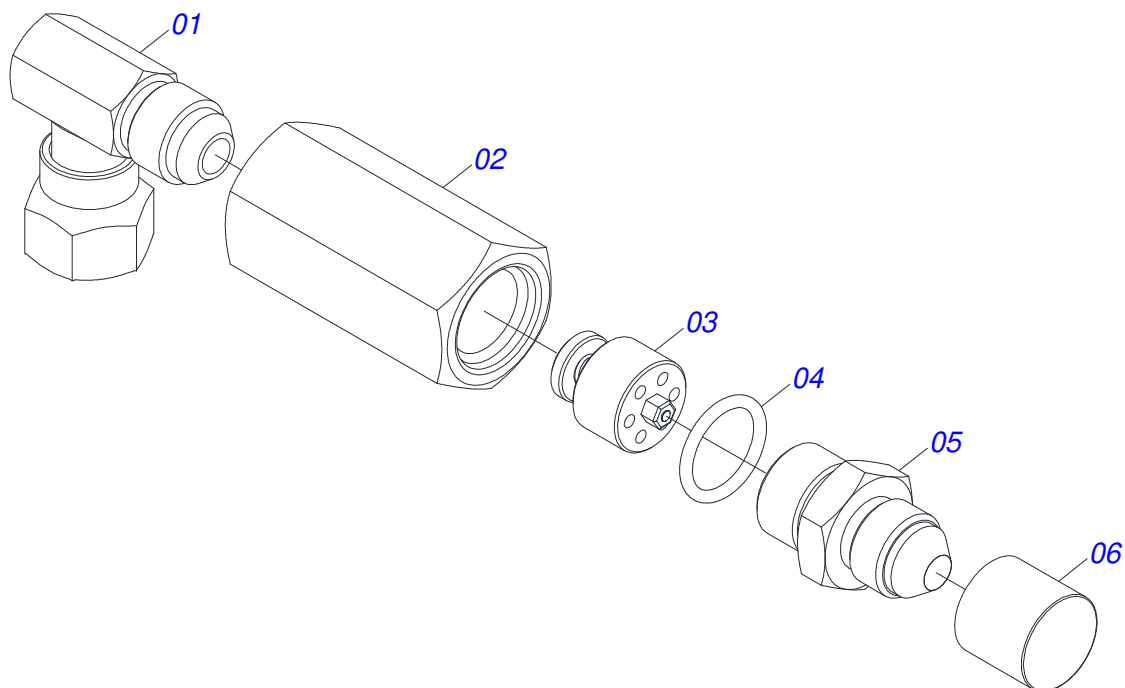


Item	Code	Description	See page	QT
01	0521065843	RIGHT CYLINDER CASE WITH EXTENSION	01	01
02	0503010063	1" SELF-ALIGNING NUT	01	01
03	0503030385	CYLINDER PLUG N-002	02	02
04	0502011898	1.8" X 3.0" PISTON	01	01
05	0503012768	3750-2250 GASKET	02	02
06	0503010992	W2-3000-500 PK RING G.E	01	01
07	0503010042	2-214 N 3006-9B O'RING	01	01
08	0502011897	RING SUPPORT	01	01
09	0503010761	D-1750 SCRAPER RING	01	01
10	0503010990	GASKET	01	01
11	0503010949	W2-2000-500 PK RING G.E	01	01
12	0503011059	8-334 BACK-UP RING	01	01
13	0521065845	Ø 44,45 X 839 WELDED ARTICULATOR	01	01
14	0503010343	2-334 N 3006-9B O'RING	01	01
15	0502011899	MOBILE COVER	01	01
16	0503010002	1800 GREASE FITTING	01	01
17	0501033655	HYDRAULIC CYLINDER REPAIR KIT	01	01



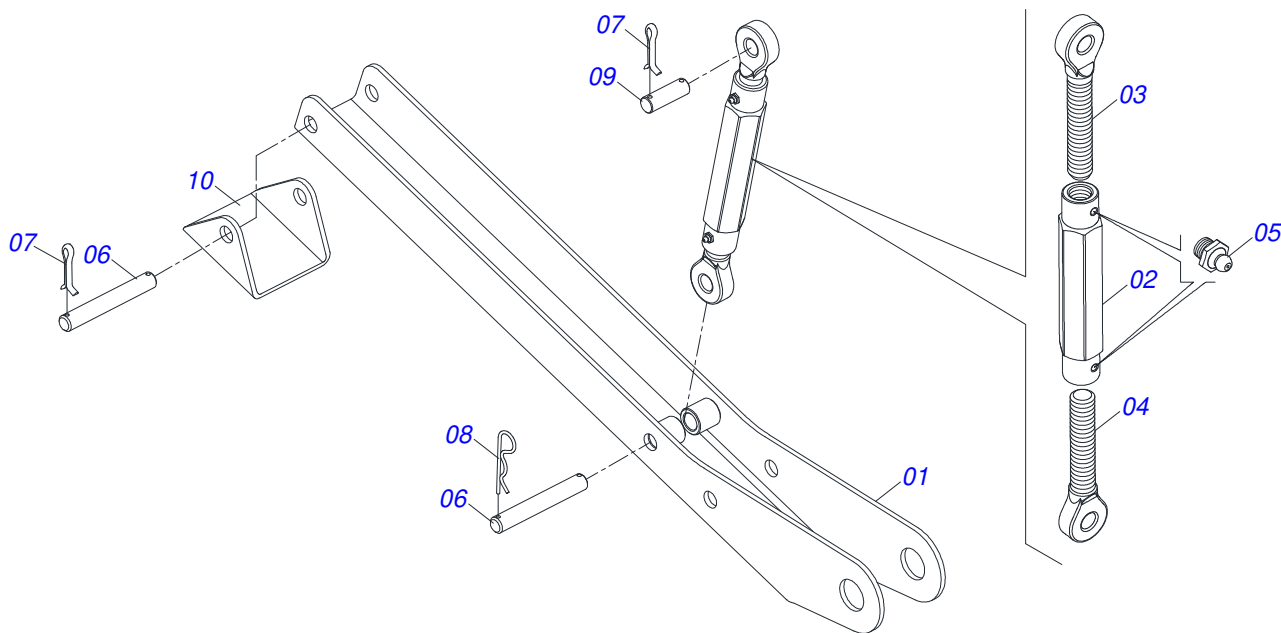
Item	Code	Description	See page	QT
01	0521065842	CYLINDER CASE WITH EXTENSION		01
02	0503010063	1" SELF-ALIGNING NUT		01
03	0503030385	CYLINDER PLUG N-002		02
04	0502011898	1.8" X 3.0" PISTON		01
05	0503012768	3750-2250 GASKET		02
06	0503010992	W2-3000-500 PK RING G.E		01
07	0503010042	2-214 N 3006-9B O'RING		01
08	0502011897	RING SUPPORT		01
09	0503010761	D-1750 SCRAPER RING		01
10	0503010990	GASKET		01
11	0503010949	W2-2000-500 PK RING G.E		01
12	0503011059	8-334 BACK-UP RING		01
13	0521065845	Ø 44,45 X 839 WELDED ARTICULATOR		01
14	0503010343	2-334 N 3006-9B O'RING		01
15	0502011899	MOBILE COVER		01
16	0503010002	1800 GREASE FITTING		01
17	0501033655	HYDRAULIC CYLINDER REPAIR KIT		01

SECURITY VALVE ASSY



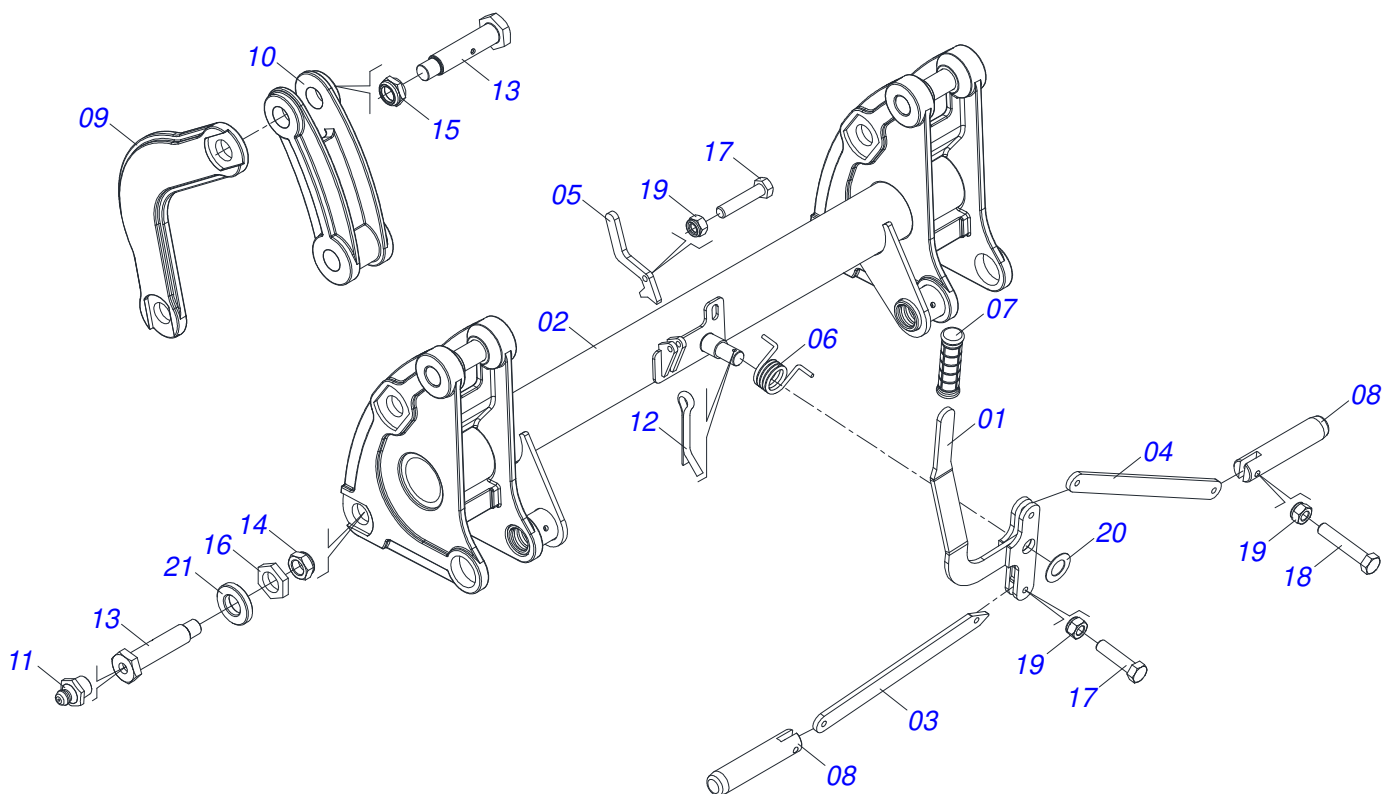
Item	Code	Description	See page	QT
01	0503018034	MALE KNEE JIC		01
02	0581014055	ADAPTER		01
03	0503016854	VALVE ASSY		01
04	0503010045	O'RING		01
05	0581014054	BSP 1/2" NIPPLE		01
06	0503030385	CYLINDER PLUG N-002		01

JACK ASSEMBLY

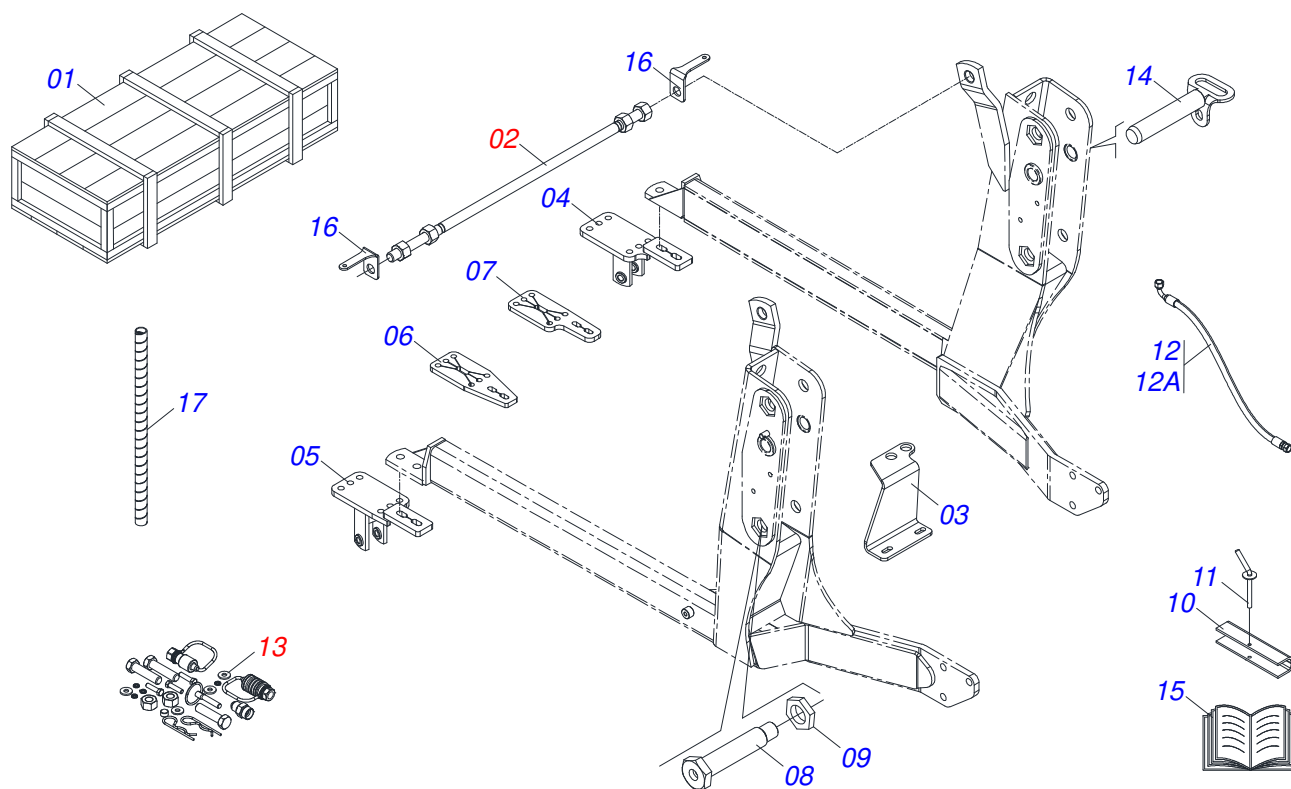


Item	Code	Description	See page	QT
01	0531065157	ARM REST	02	
02	0502012530	REGULATOR NUT BODY R1	02	
03	0502012562	LEFT SPINDLE R1 X 160	02	
04	0502012529	RIGHT SPINDLE R1 X 160	02	
05	0503010002	1800 GREASE FITTING	04	
06	0571018253	3/4 X 133 PCA-T 1500 COUPLING SHAFT	04	
07	0503010071	3/16" X 1" COTTERPIN	06	
08	0503030012	HITCH PIN CLIP	02	
09	0561015578	3/4 X 56 PCA VTR A750 COUPLING SHAFT	02	
10	0501217660	SUPPORT ARM	02	

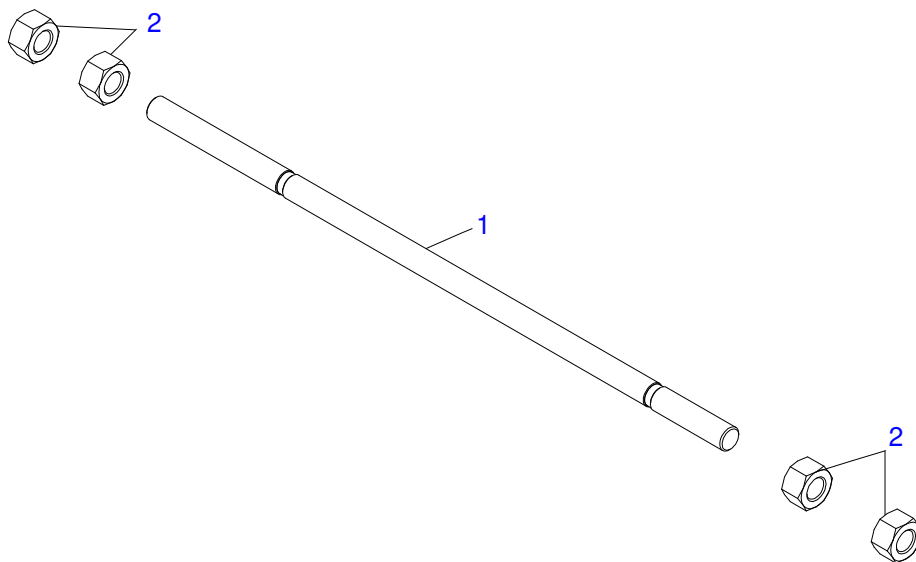
ARTICULATION ASSEMBLY



Item	Code	Description	See page	QT
01	0531065449	LEVER		01
02	0531065452	ARTICULATOR		01
03	0501218584	RIGHT ARM TISARM		01
04	0501218585	TRIP SPRING FIXER ARM		01
05	0501218586	PENDOL LATCH		01
06	0503034192	TORSION SPRING		01
07	0503037382	Ø25 X 120 PVC HANDLE		01
08	0571018129	PIN LOCK ACCESSORY		02
09	0502012952	LOWER COPYING ARM		04
10	0502012953	ARTICULATE MINOR BODY		02
11	0503010002	1800 GREASE FITTING		06
12	0503010523	1/4" X 2" COTTERPIN		01
13	0571018245	1.1/4" UNF X 139 BOLT		08
14	0503010044	1-1/4" SELF LOCKING NUT		07
15	0571018205	1.1/4"XUNF NUT WITH RECESS		01
16	0581010243	WASHER HEX		06
17	0503010849	3/8" X 1-1/2" BOLT		03
18	0503011236	3/8" X 2" BOLT		02
19	0503013357	3/8" SELF-ADJUSTING NUT		05
20	0561011883	FLAT WASHER		01
21	0581014204	FLAT WASHER		02

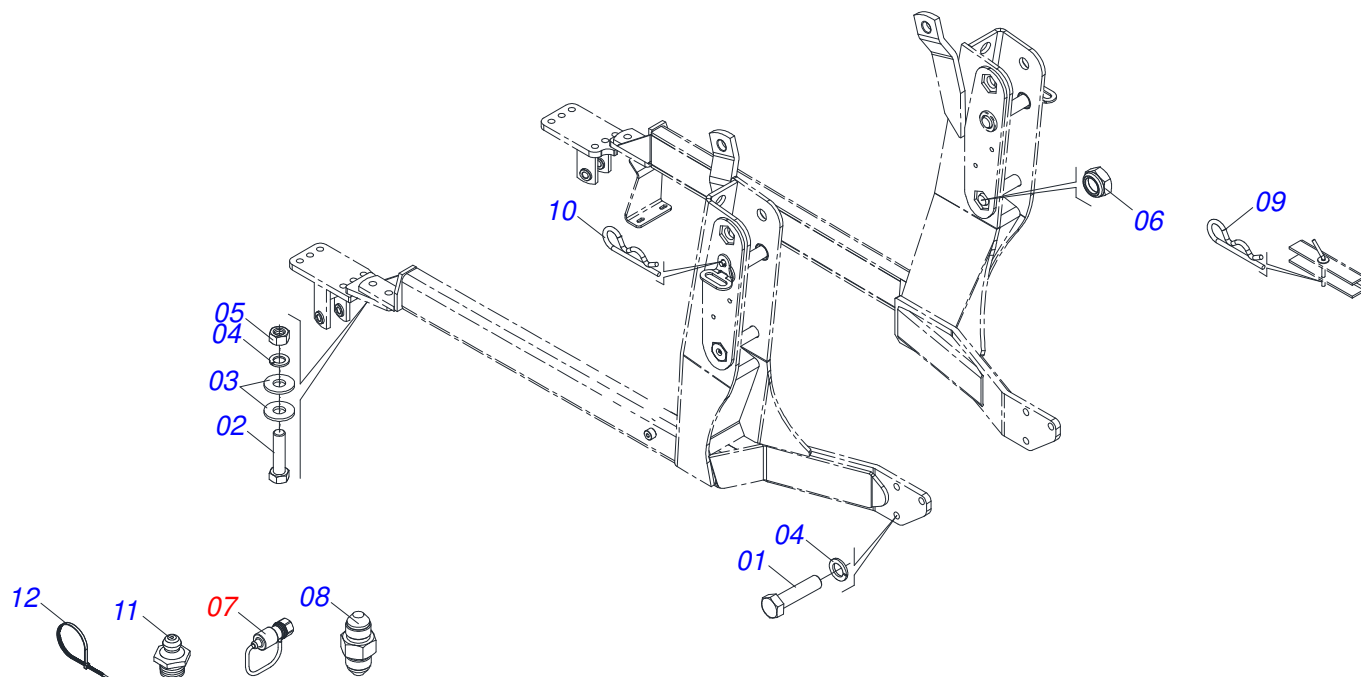


Item	Code	Description	See page	QT
01	0501100416	WOODEN BOX		01
02	0501043212	ROD 1.1/4" NC X 3.818" ASSY	12	01
03	0501218205	FUEL TANK SUPPORT		01
04	0531065205	DIFFERENTIAL LEFT SHOE		01
05	0531065346	RIGHT CHASSIS SHOE		01
06	0501218206	SHOE CHASSIS		01
07	0501218207	DIFFERENTIAL SHOE		01
08	0501216406	SCREW 1.1/4 UNF X 147		02
09	0501216405	WASHER 37.8 EXTERNAL HEXAGON 58 X 8.00		02
10	0501217728	LOCK FOR TRANSPORTATION		02
11	0501068994	8,30 X 78 LOCK PIN		02
12	0521050403	HOSE SET		01
12A	0501080384	TR-TM HOSE ASSY		04
13	0511032658	PACKED PARTS	13	01
14	0521067468	MOBILE HOLDER COUPLING HUB		02
15	0511033668	BAG WITH INSTRUCTION MANUAL		01
16	0501217853	HEADLIGHT SUPPORT		02
17	0581010090	SPRING PROTECTION PLASTIC HOSE		02

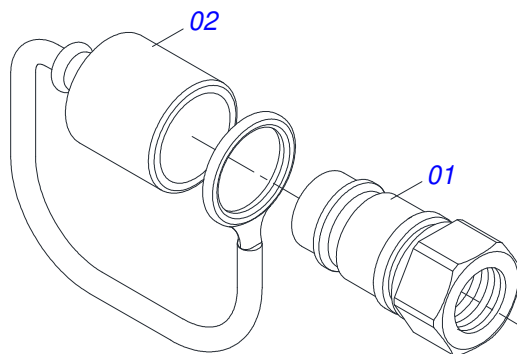


Item	Code	Description	See page	QT
01	0501014915	ROD 1.1/4" NC X 3.818"		01
02	0501010087	1.1/4" NUT		04

PACKED PARTS



Item	Code	Description	See page	QT
01	0501010098	3/4" UNC BOLT		06
02	0501010500	3/4"X3"BOLT		04
03	0501010322	FLAT WASHER		08
04	0503010023	3/4" SPRING WASHER		10
05	0503010014	3/4" HEX NUT		04
06	0503010044	1-1/4" SELF LOCKING NUT		02
07	0501053834	MALE QUICK COUPLER	14	04
08	0571018714	3/4"X3/4"UNF NIPPLE UNION (HEXAGONAL 7/8"X50)		04
09	0503030012	HITCH PIN CLIP		02
10	0503030168	HITCH PIN CLIP		02
11	0503010002	1800 GREASE FITTING		02
12	0503013527	CLAMP ZIPER		10



Item	Code	Description	See page	QT
01	0503011627	MALE QUICK COUPLER AGR 1/2 NPT		01
02	0503011882	MALE QUICK COUPLER CAP		01



MARCHESAN

Technical Publications | Elaboration and Revision

LUIZ CANDIDO

www.marchesan.com.br

