

PCA - AGRICULTURAL FRONT LOADER

PCA PLUS 1750 MF 6711/6713 BT CDC JS AR

Code: 0501093477

Series: S-0418

Revision: 00

Date Revision: JANEIRO/2023

PARTS CATALOGUE



MARCHESAN



PRODUCTS

Code	Description
0106112158	PCA PLUS 1750 MF 6711A6713 BT CDC JS AR ESP S-0418

ATTENTION: IMPORTANT

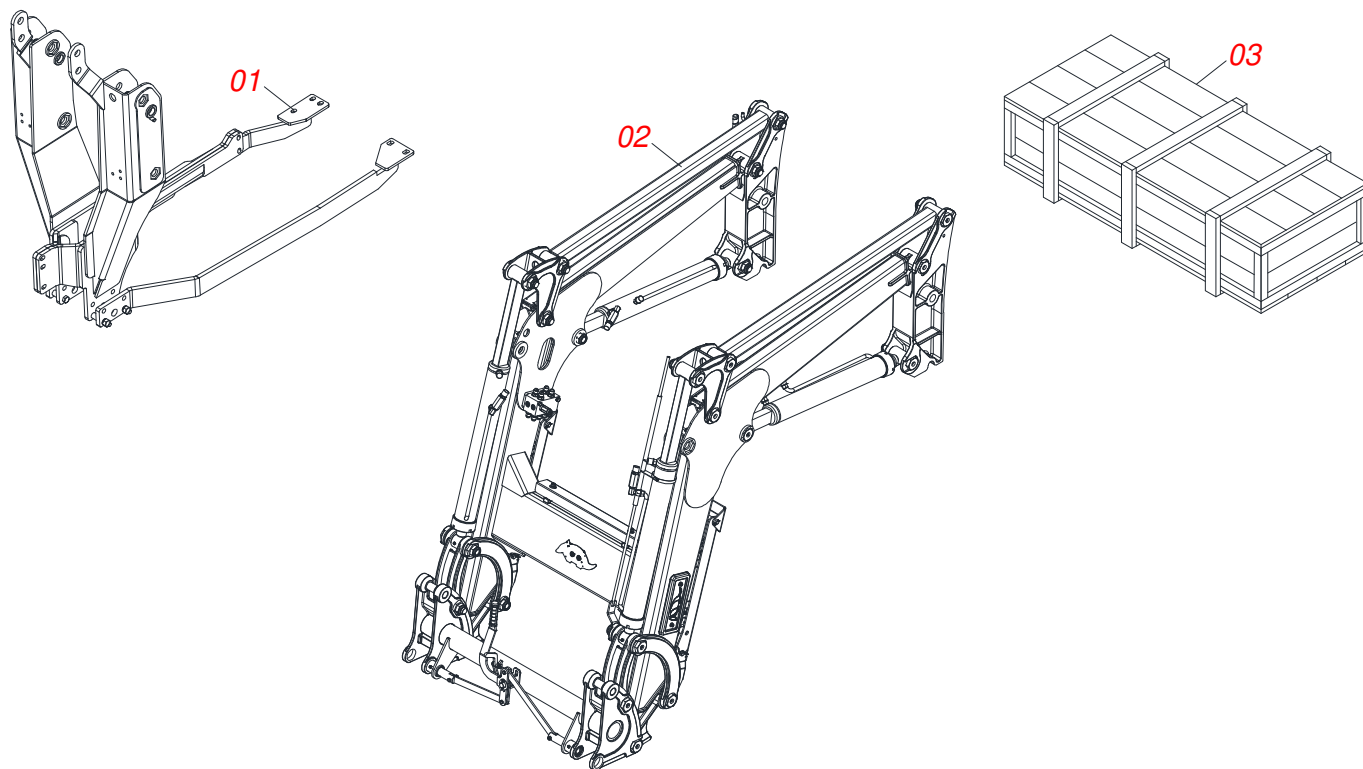
Marchesan S.A. reserves the right to improve and/or modify the technical features of its products, without obligation to do the same with those products already sold and without prior knowledge of the dealer or the customer. The photos are only illustrative.



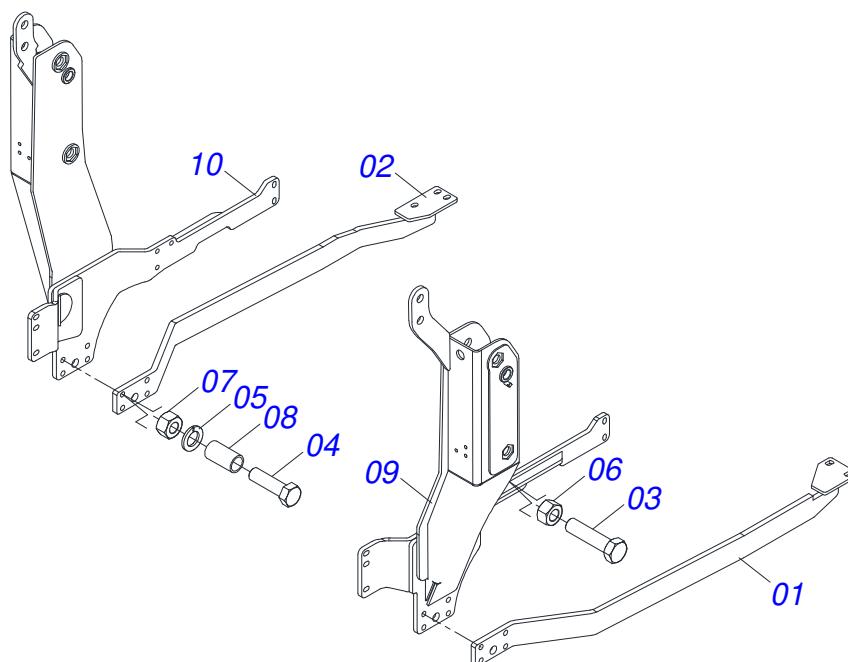
MARCHESAN

INDEX

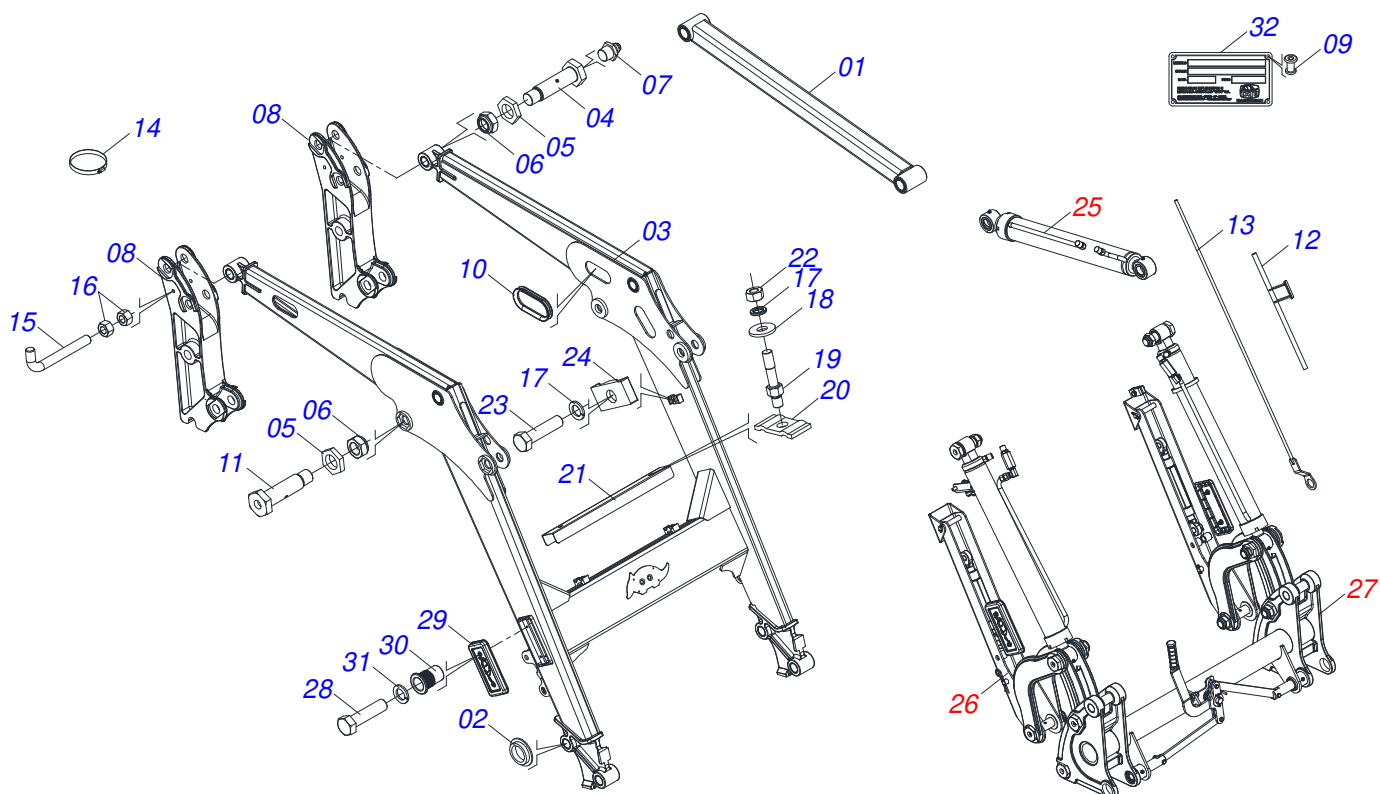
0106112158	PCA PLUS 1750 MF 6711A6713 BT CDC JS AR ESP S-0418	1
0531044062	FRAME ASSEMBLY WITH REAR BAR	2
0531044054	MOBILE SUPPORT ASSY - PCA 1750	3
0909091731	HYDRAULIC ASSEMBLY	4
0521052500	RH HYDRAULIC CYLINDER	5
0521052501	LEFT HYDRAULIC CYLINDER	6
0521052504	RH HYDRAULIC CYLINDER	7
0521052505	LH HYDRAULIC CYLINDER	8
0511057771	R.7/8UNF - SAFETY VALVE	9
0909091735	JACK ASSEMBLY	10
0909091736	ARTICULATION ASSEMBLY	11
0521028975	BOX WITH COMPONENTS	12
0521047928	COMMAND	13
0531044005	SET SUPPORT JOY STICK	14
0521047924	ROD	15
0511043351	1.1/4" X 40" ROD	16
0521052701	HOSE ASSY	17
0511033080	PACKED PARTS	18



Item	Code	Description	See page	QT
01	0531044062	FRAME ASSEMBLY WITH REAR BAR	2	01
02	0531044054	MOBILE SUPPORT ASSY - PCA 1750	3	01
03	0521028975	BOX WITH COMPONENTS	12	01



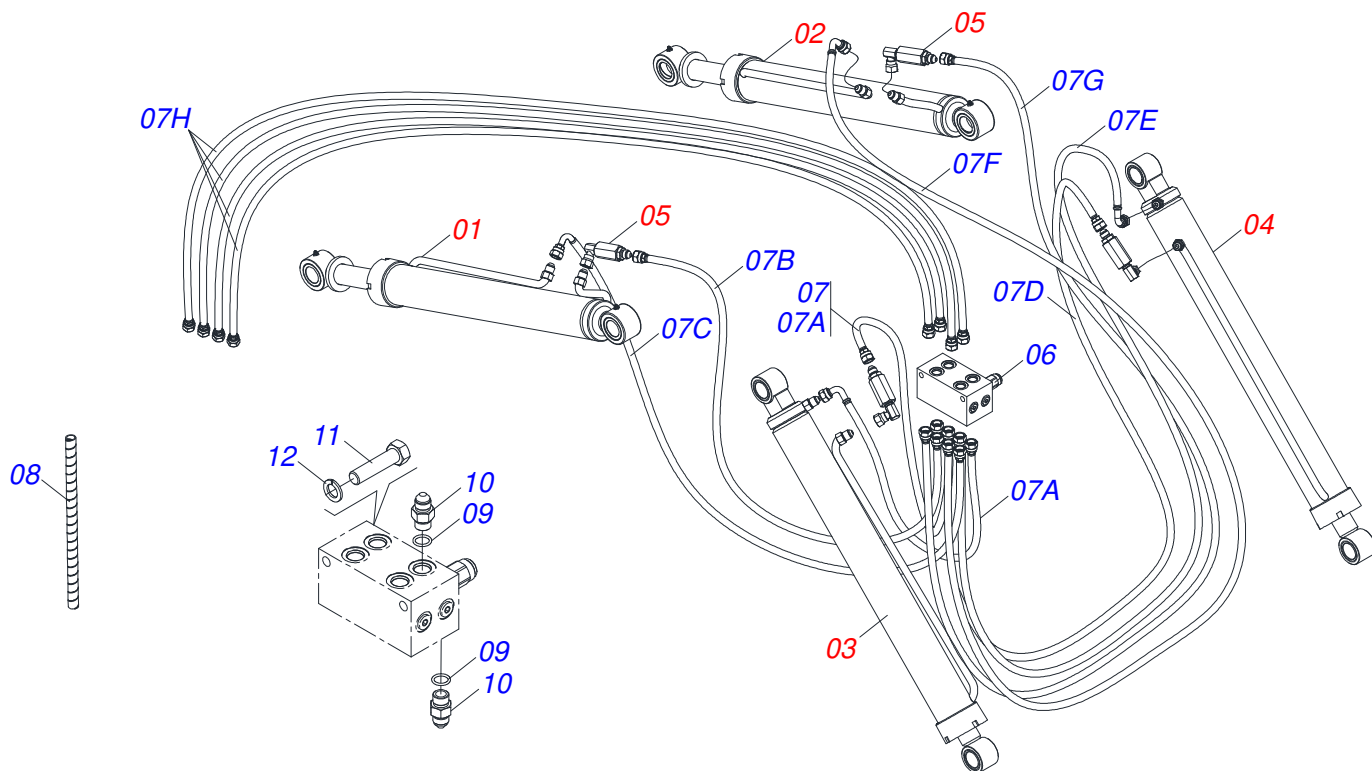
Item	Code	Description	See page	QT
01	0531065022	RIGHT BAR FRAME LOCK		01
02	0531065021	LEFT BAR FRAME LOCK		01
03	0503010233	5/8" X 2-1/2" BOLT		02
04	0503011084	3/4" X 5" BOLT		04
05	0503010023	3/4" SPRING WASHER		04
06	0503010013	5/8" NUT		02
07	0503010014	3/4" HEX NUT		04
08	0581015170	SLEEVE		04
09	0531064911	RIGHT FRAME		01
10	0531063606	LEFT FRAME		01



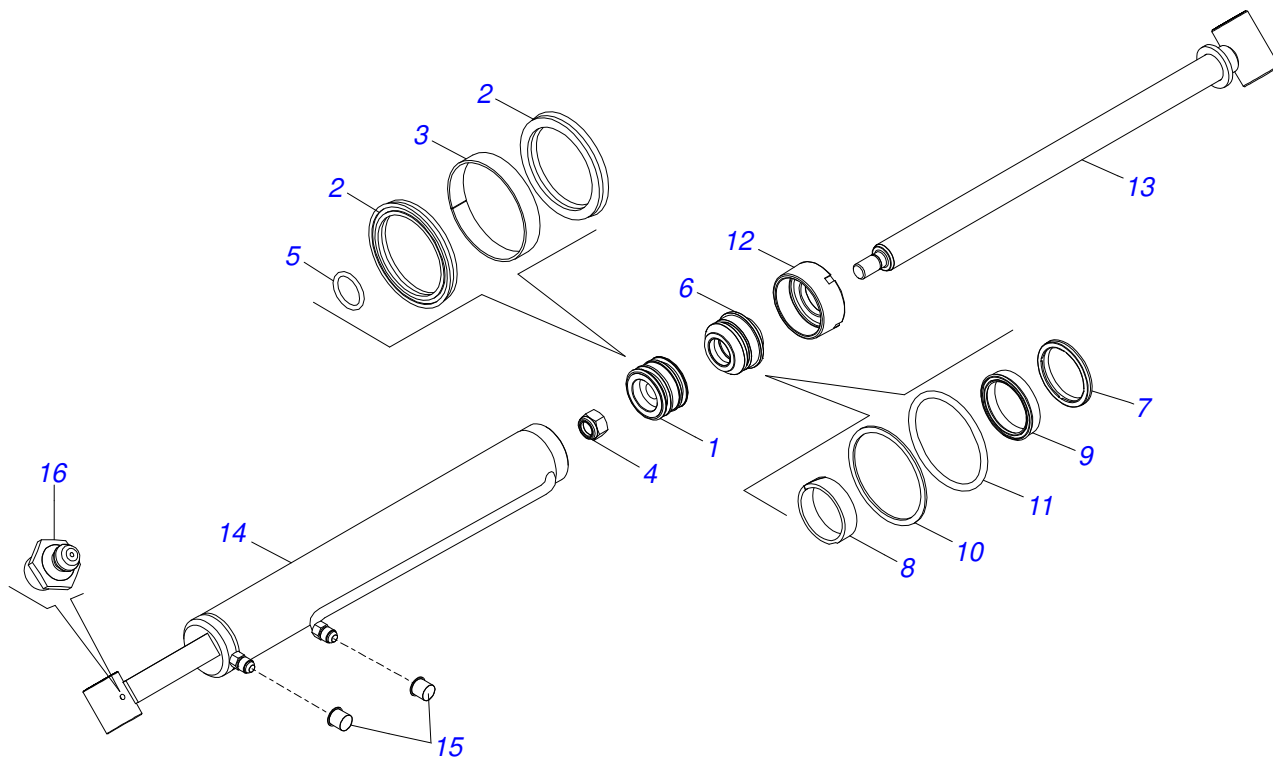
Item	Code	Description	See page	QT
01	0521068512	STABILIZER ARM		02
02	0591010982	WASHER SPACER		04
03	0531065062	MOVABLE SUPPORT		01
04	0581016851	BOLT		04
05	0581010243	WASHER HEX		14
06	0503010044	1-1/4" SELF LOCKING NUT		14
07	0503010002	1800 GREASE FITTING		14
08	0502012947	SUPPORT BARS		02
09	0503010001	3.2 X 5.5 RIVET		04
10	0503035468	HOSE PROTECTION		02
11	0581016852	BOLT		02
12	0521067968	ROD GUIDE		01
13	0521068692	LEVEL ROD		01
14	0503011372	102 TO 121 CLAMP		01
15	0581010285	CONTROL LOCKING HOOK		01
16	0503010060	1/2 UNC G.5 ZN HEX NUT		02
17	0503010180	7/16" SPRING WASHER		03
18	0501012803	FLAT WASHER		02
19	0581014286	PRISONER		02
20	0531011180	UPPER BODY CLIP		02
21	0501217671	HOSE PROTECTION		01
22	0503010244	7/16" NUT		02
23	0503012555	SCREW 7/16 UNC X 2 CS RT G.7 ZN		01
24	0502010477	HOSE CLAMP		02
25	0909091731	HYDRAULIC ASSEMBLY	4	01
26	0909091735	JACK ASSEMBLY	10	01
27	0909091736	ARTICULATION ASSEMBLY	11	01
28	0503010743	1/4" X 1-1/4" BOLT		04
29	0503035532	MOBILE SUPPORT COVER		02
30	0503019901	INTERNAL THREAD RIVET RM 1/4 P30S		04
31	0503010143	1/4" SPRING WASHER		04



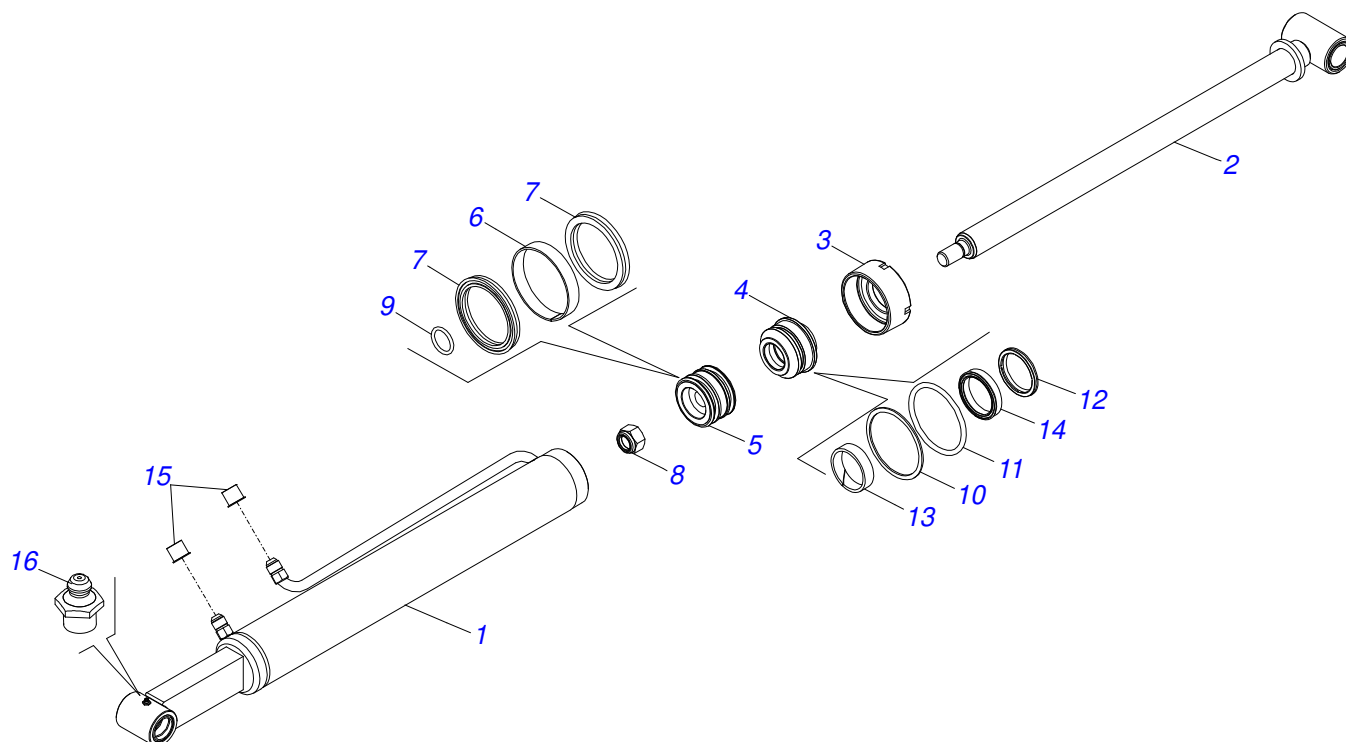
Item	Code	Description	See page	QT
32	0503034003	SERIAL NUMBER TAG 61 X 118		01



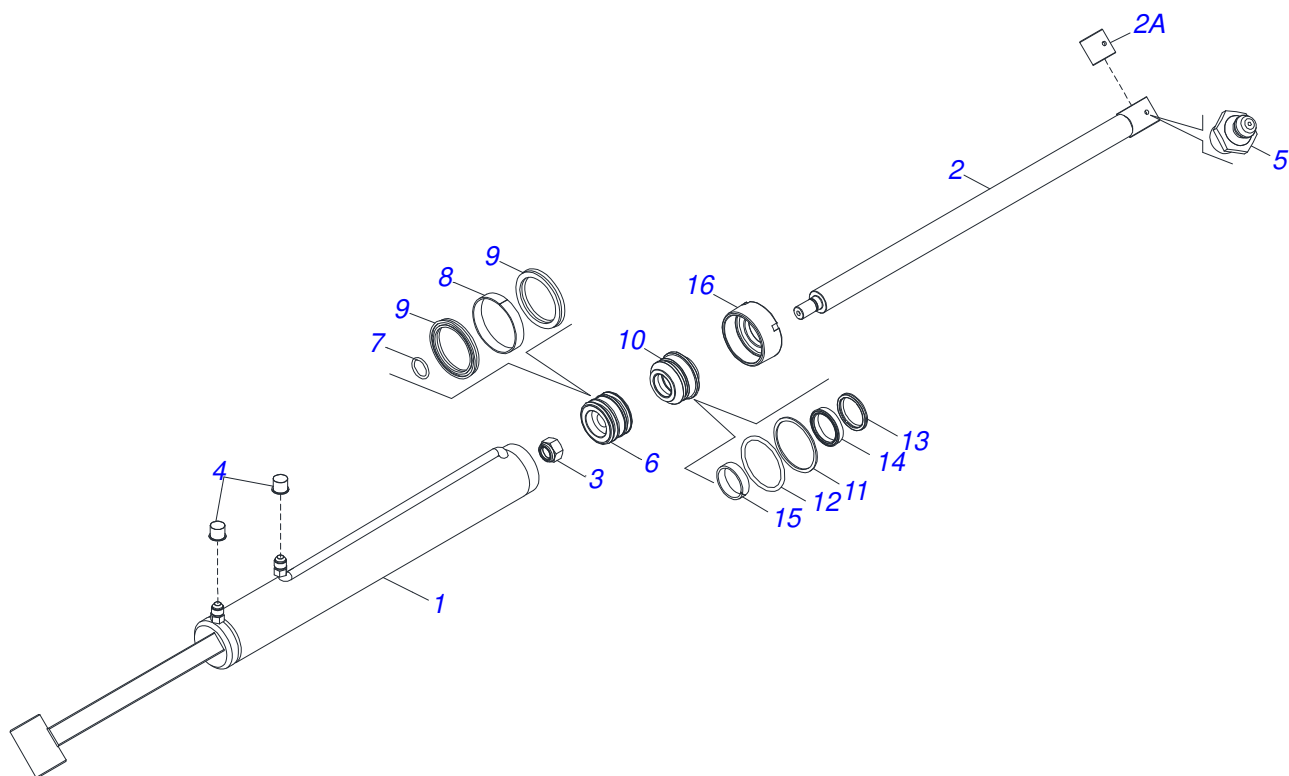
Item	Code	Description	See page	32	36	40
01	0521052500	RH HYDRAULIC CYLINDER	5	01		
02	0521052501	LEFT HYDRAULIC CYLINDER	6	01		
03	0521052504	RH HYDRAULIC CYLINDER	7	01		
04	0521052505	LH HYDRAULIC CYLINDER	8	01		
05	0511057771	R.7/8UNF - SAFETY VALVE	9	04		
06	0503062416	BLOCK COMMAND		01		
07	0521052680	HOSE SET		01		
07A	0501080021	1/2 X 1300 TR-TR HOSE ASSY		02		
07B	0501080030	1/2" X 53" TR-TC HOSE ASSY		01		
07C	0501080059	1/2" X 61" TR-TC HOSE ASSY		01		
07D	0501080603	HOSE		01		
07E	0501080618	1/2" X 2200 TR-TC HOSE		01		
07F	0501081388	1/2 X 2350 TR-TC HOSE		01		
07G	0501082044	HOSE		01		
07H	0501080828	HOSE		04		
08	0581011170	HOSE PLASTIC PROTECTION SPRING		01		
09	0503010190	2-114 N 3006-9B O'RING		12		
10	0501011460	7/8 NF REDUCTION NIPPLE		12		
11	0503010851	7/16" X 3.1/2" BOLT		02		
12	0503010180	7/16" SPRING WASHER		02		



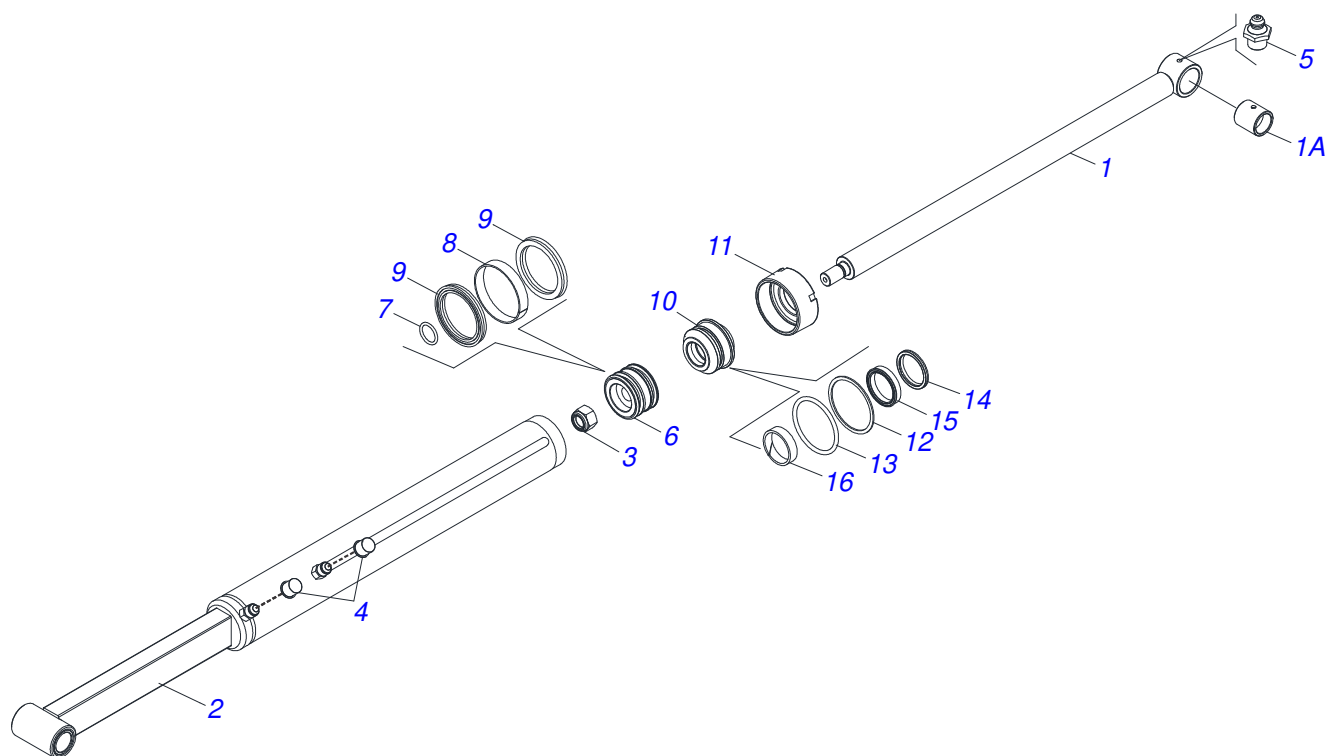
Item	Code	Description	See page	QT
01	0502010843	1.8" X 3.4" PISTON		01
02	0503010170	PACKING 3120 2750		02
03	0503010948	W4-3346-590 PK RING G.E		01
04	0503010063	1" SELF-ALIGNING NUT		01
05	0503010042	2-214 N 3006-9B O'RING		01
06	0502010781	RING SUPPORT		01
07	0503010761	D-1750 SCRAPER RING		01
08	0503010949	W2-2000-500 PK RING G.E		01
09	0503010990	GASKET		01
10	0503011060	8-336 BACK-UP RING		01
11	0503010976	2-336 N 3006-9B O'RING		01
12	0502010993	DETACHABLE COVER		01
13	0521068627	TURNBUCKLE		01
14	0521068638	RH CYLINDER CASE		01
15	0503030387	PLUG		02
16	0503010002	1800 GREASE FITTING		01
17	0501031796	HYDRAULIC CYLINDER REPAIR KIT		01



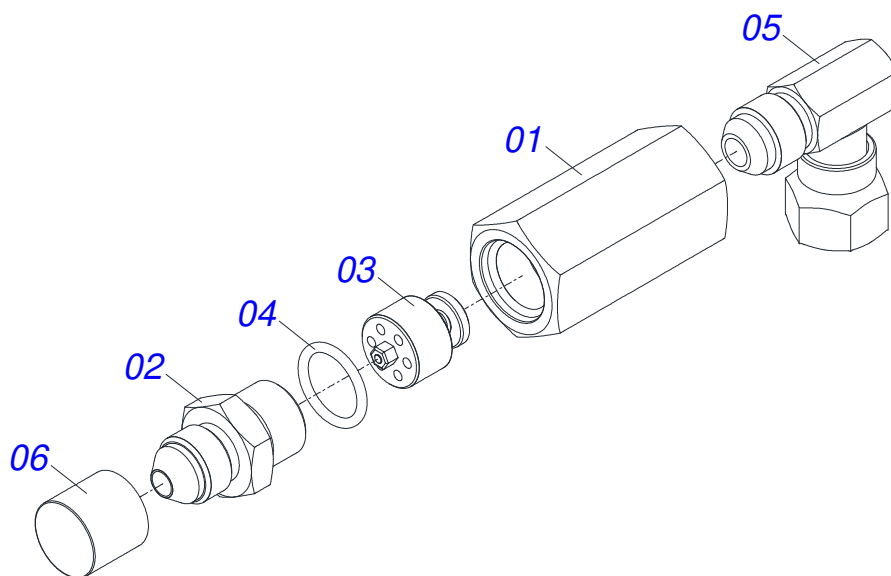
Item	Code	Description	See page	QT
01	0521068636	LH CYLINDER CASE		01
02	0521068627	TURNBUCKLE		01
03	0502010993	DETACHABLE COVER		01
04	0502010781	RING SUPPORT		01
05	0502010843	1.8" X 3.4" PISTON		01
06	0503010948	W4-3346-590 PK RING G.E		01
07	0503010170	PACKING 3120 2750		02
08	0503010063	1" SELF-ALIGNING NUT		01
09	0503010042	2-214 N 3006-9B O'RING		01
10	0503011060	8-336 BACK-UP RING		01
11	0503010976	2-336 N 3006-9B O'RING		01
12	0503010761	D-1750 SCRAPER RING		01
13	0503010949	W2-2000-500 PK RING G.E		01
14	0503010990	GASKET		01
15	0503030387	PLUG		02
16	0503010002	1800 GREASE FITTING		01
17	0501031796	HYDRAULIC CYLINDER REPAIR KIT		01



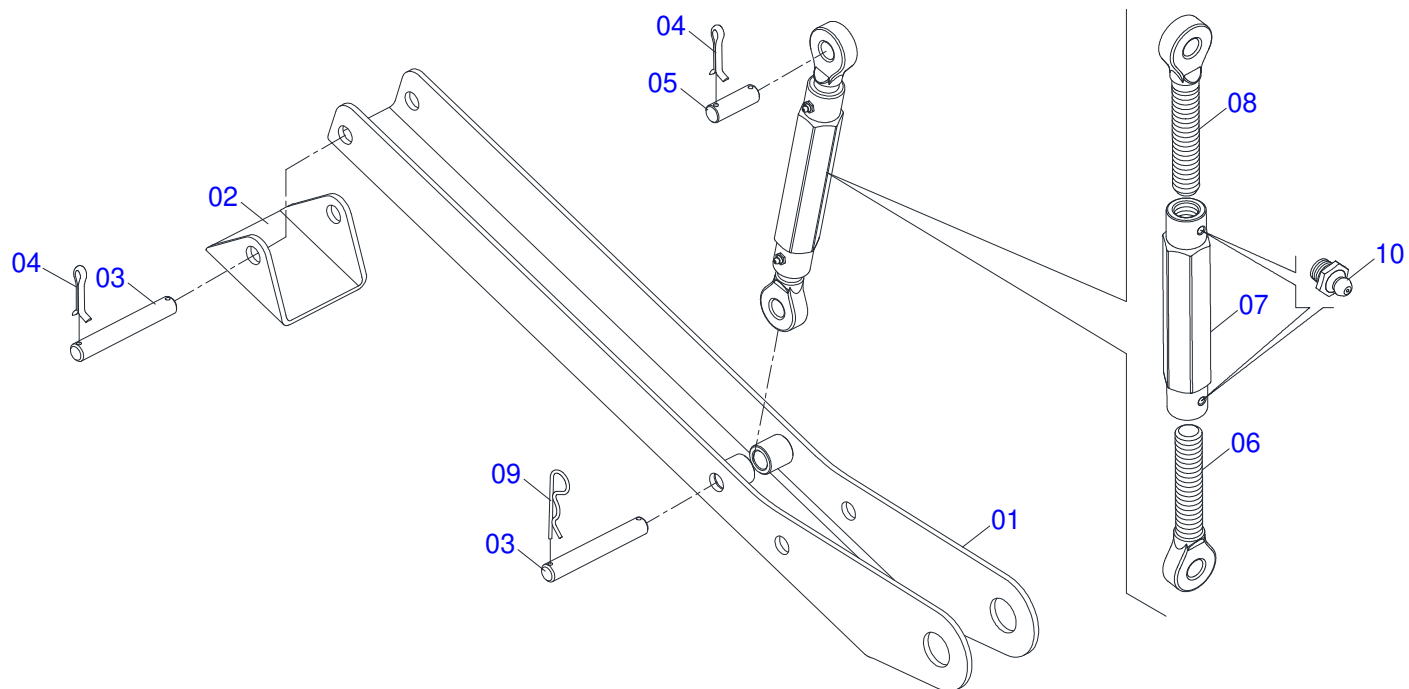
Item	Code	Description	See page	QT
01	0521068529	CASE BODY		01
02	0521068628	TURNBUCKLE		01
02A	0501110801	SLEEVE		01
03	0503010063	1" SELF-ALIGNING NUT		01
04	0503030387	PLUG		02
05	0503010002	1800 GREASE FITTING		01
06	0502010843	1.8" X 3.4" PISTON		01
07	0503010042	2-214 N 3006-9B O'RING		01
08	0503010948	W4-3346-590 PK RING G.E		01
09	0503010170	PACKING 3120 2750		02
10	0502010781	RING SUPPORT		01
11	0503011060	8-336 BACK-UP RING		01
12	0503010976	2-336 N 3006-9B O'RING		01
13	0503010761	D-1750 SCRAPER RING		01
14	0503010990	GASKET		01
15	0503010949	W2-2000-500 PK RING G.E		01
16	0502010993	DETACHABLE COVER		01
17	0511032293	HYDRAULIC CYLINDER REPAIR KIT		01



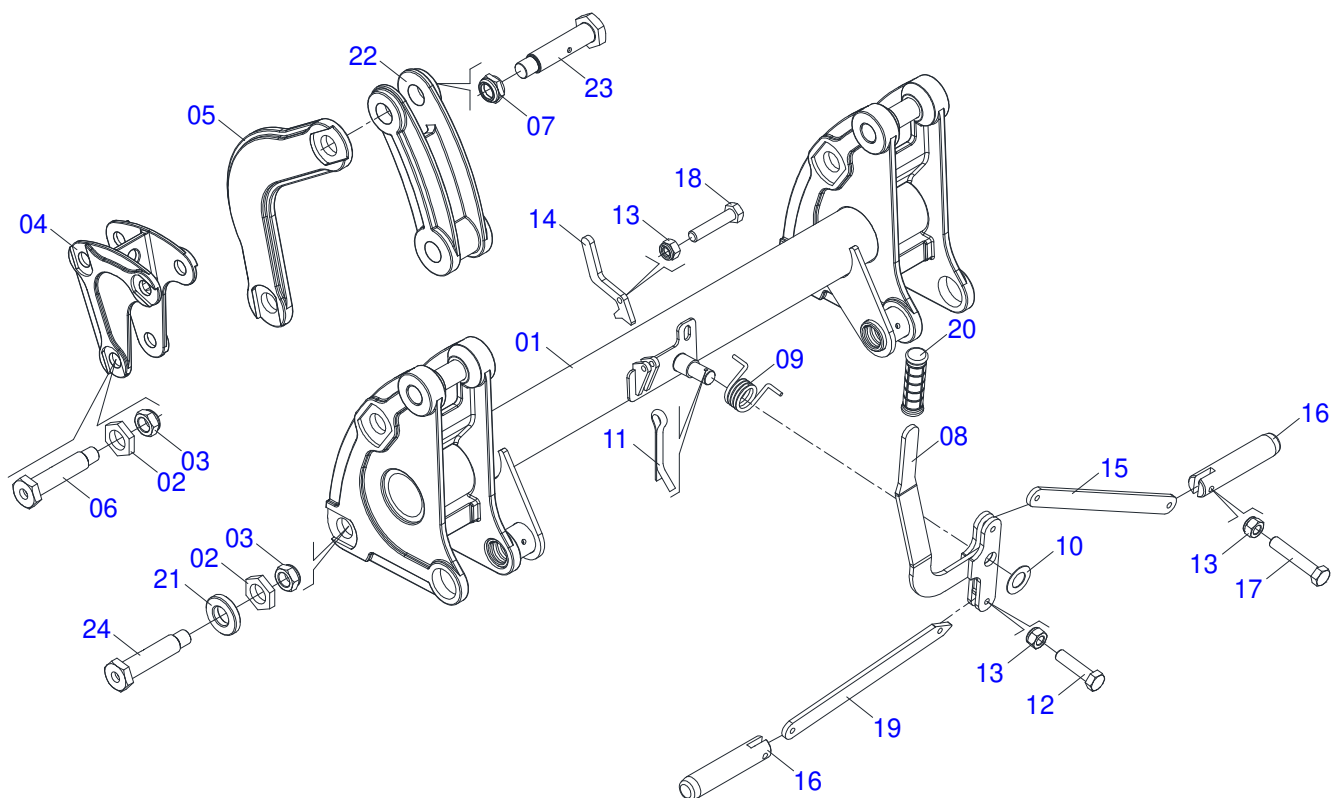
Item	Code	Description	See page	QT
01	0521068628	TURNBUCKLE		01
01A	0501110801	SLEEVE		01
02	0521068532	CASE BODY		01
03	0503010063	1" SELF-ALIGNING NUT		01
04	0503030387	PLUG		02
05	0503010002	1800 GREASE FITTING		01
06	0502010843	1.8" X 3.4" PISTON		01
07	0503010042	2-214 N 3006-9B O'RING		01
08	0503010948	W4-3346-590 PK RING G.E		01
09	0503010170	PACKING 3120 2750		02
10	0502010781	RING SUPPORT		01
11	0502010993	DETACHABLE COVER		01
12	0503011060	8-336 BACK-UP RING		01
13	0503010976	2-336 N 3006-9B O'RING		01
14	0503010761	D-1750 SCRAPER RING		01
15	0503010990	GASKET		01
16	0503010949	W2-2000-500 PK RING G.E		01
17	0511032293	HYDRAULIC CYLINDER REPAIR KIT		01



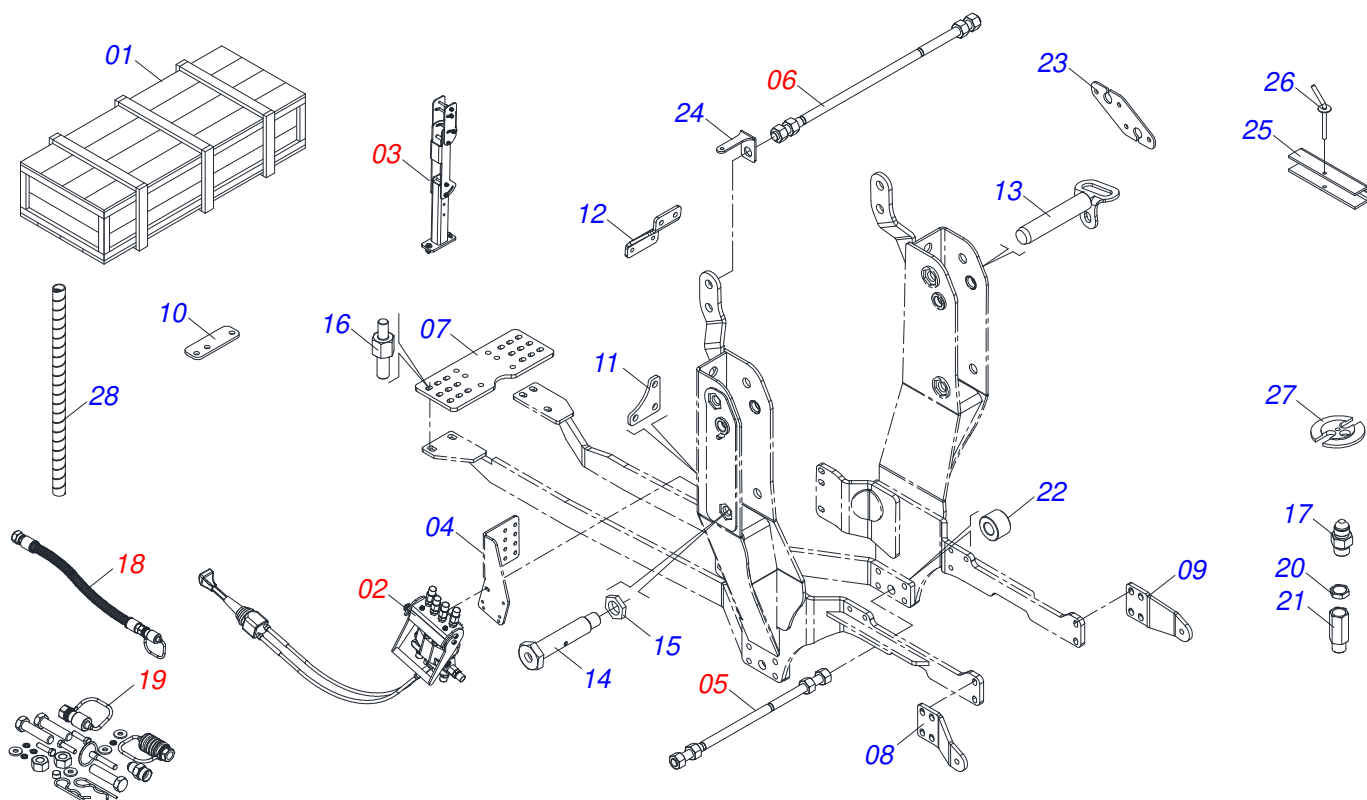
Item	Code	Description	See page	QT
01	0503018033	37 X R.7/8 UNF 90° JIC MALE CONNECTOR WITH ROTATING NUT		01
02	0581014053	1/2 BSP X 7/8 UNF JIC X 64 ADAPTER		01
03	0503016854	VALVE ASSY		01
04	0503010045	O'RING		01
05	0581014052	1/2 BSP X 7/8 UNF JIC X 43 NIPLE		01
06	0503030387	PLUG		01



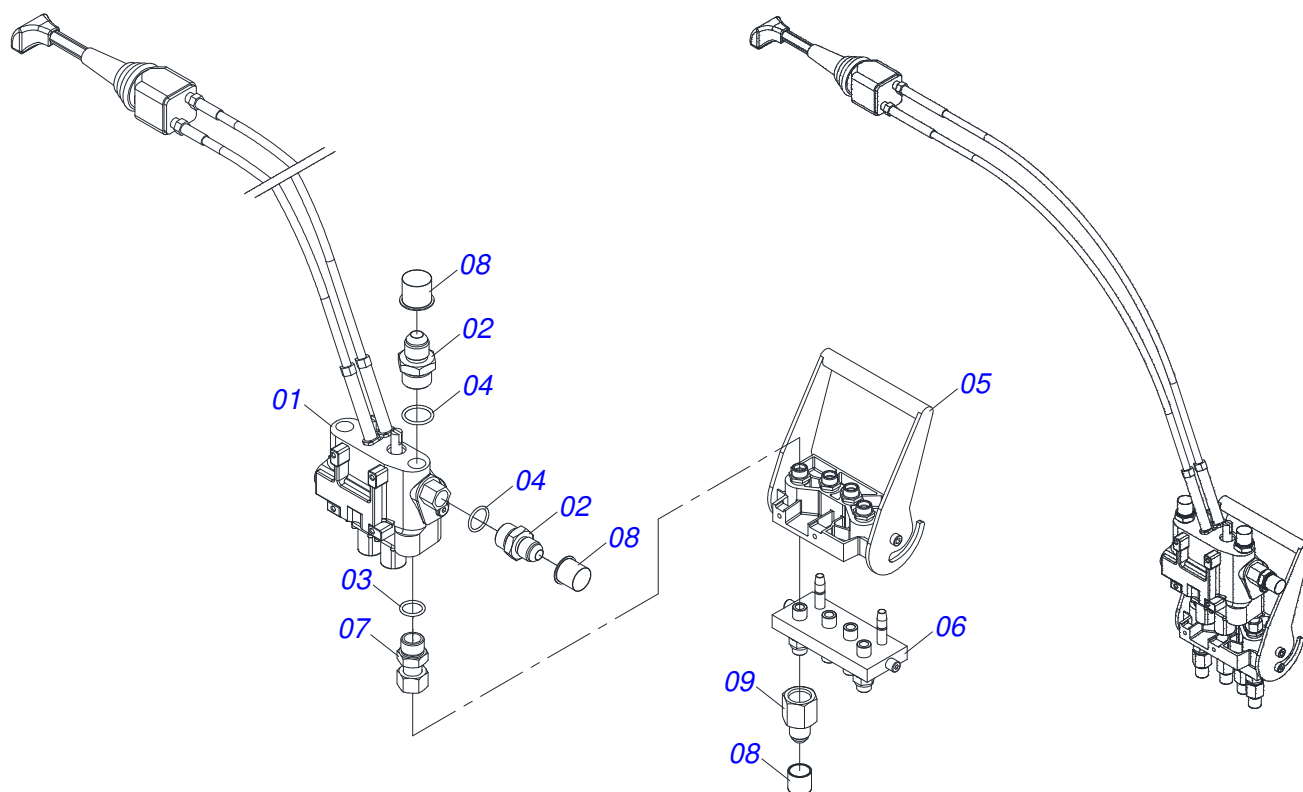
Item	Code	Description	See page	QT
01	0531065278	SUPPORT ARM		02
02	0501217660	SUPPORT ARM		02
03	0571018253	3/4 X 133 PCA-T 1500 COUPLING SHAFT		04
04	0503010071	3/16" X 1" COTTERPIN		10
05	0561015578	3/4 X 56 PCA VTR A750 COUPLING SHAFT		02
06	0502012562	LEFT SPINDLE R1 X 160		02
07	0502012530	REGULATOR NUT BODY R1		02
08	0502012529	RIGHT SPINDLE R1 X 160		02
09	0503030012	HITCH PIN CLIP		02
10	0503010002	1800 GREASE FITTING		04



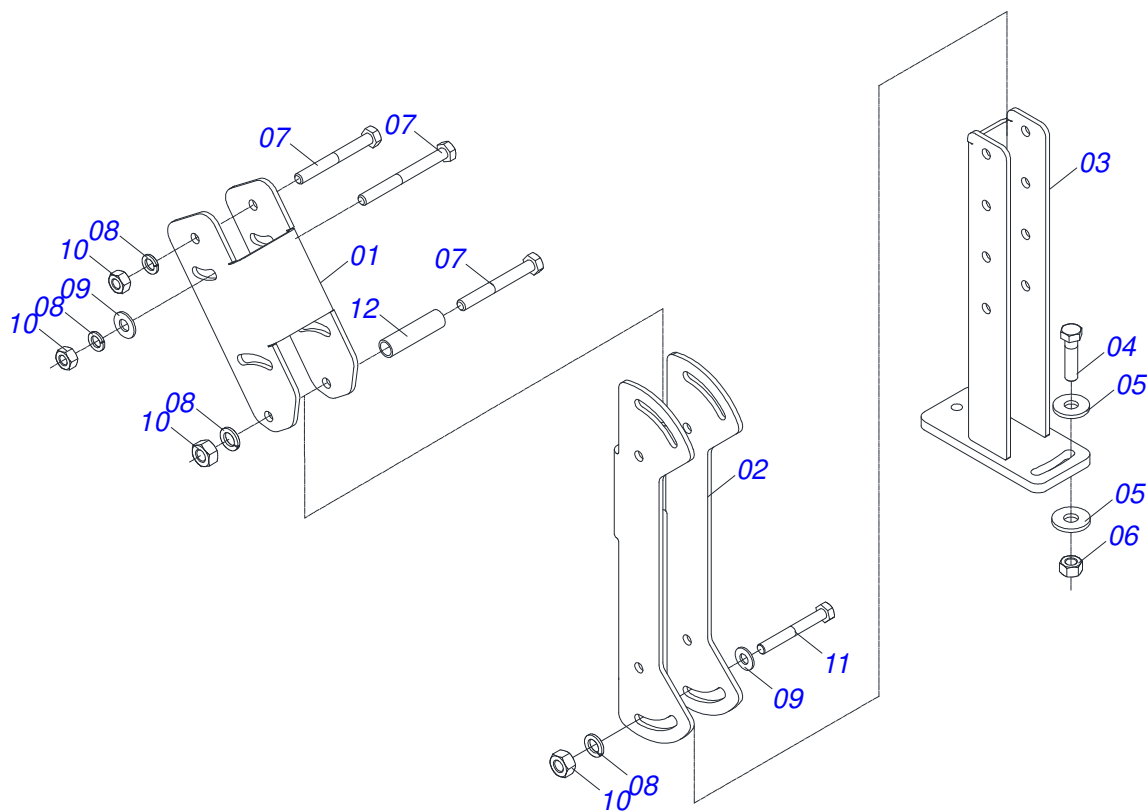
Item	Code	Description	See page	QT
01	0531060874	ARTICULATOR	01	01
02	0581010243	WASHER HEX	06	06
03	0503010044	1-1/4" SELF LOCKING NUT	07	07
04	0502012945	UPPER SUPPORT	02	02
05	0502012946	SUPPORT ARM	04	04
06	0571018245	1.1/4" UNF X 139 BOLT	06	06
07	0571018205	1.1/4"XUNF NUT WITH RECESS	01	01
08	0521065888	LEVER	01	01
09	0503034192	TORSION SPRING	01	01
10	0561011883	FLAT WASHER	01	01
11	0503010523	1/4" X 2" COTTERPIN	01	01
12	0503010849	3/8" X 1-1/2" BOLT	02	02
13	0503013357	3/8" SELF-ADJUSTING NUT	05	05
14	0571018934	PENDULUM LOCKS	01	01
15	0571018935	SPRING SUPPORT ARM	01	01
16	0571018129	PIN LOCK ACCESSORY	02	02
17	0503011236	3/8" X 2" BOLT	02	02
18	0501011532	3/8" X 1-3/4" BOLT	01	01
19	0571018125	RIGHT ARM OF THE UNLOCK	01	01
20	0503037382	Ø25 X 120 PVC HANDLE	01	01
21	0521011100	FLAT WASHER	06	06
22	0502012948	SUPPORT	02	02
23	0581013410	1.1/4" UNF X 155 BOLT	04	04
24	0581016851	BOLT	06	06



Item	Code	Description	See page	QT
01	0501100126	WOOD BOX		01
02	0521047928	COMMAND	13	01
03	0531044005	SET SUPPORT JOY STICK	14	01
04	0501218082	CONTROL FIXING BASE		01
05	0521047924	ROD	15	01
06	0511043351	1.1/4" X 40" ROD	16	01
07	0501217915	BACK PLATE FIXING FRAME		01
08	0501217919	LEFT STOP		01
09	0501217920	RIGHT STOP		01
10	0501218117	BACK SHIM		02
11	0501218129	SPACER SHIMS RIGHT LEFT FRAME		02
12	0501217918	DIESEL OIL FILTER FIXING SUPPORT		01
13	0531065321	FIXING AXIS MOBILE SUPPORT		02
14	0501218077	1.1/4 UNF X 178 BOLT		02
15	0501216423	WASHER HEX 37,8 X 58 X 9,50		02
16	0581016773	STUD		04
17	0561018342	1" NF NIPPLE		01
18	0521052701	HOSE ASSY	17	01
19	0511033080	PACKED PARTS	18	01
20	0581016949	LOCKNUT		01
21	0581016628	ADAPTER BODY		01
22	0581017017	SLEEVE		04
23	0501218130	HEADLIGHT SUPPORT		02
24	0501217853	HEADLIGHT SUPPORT		02
25	0501217728	LOCK FOR TRANSPORTATION		02
26	0501068994	8,30 X 78 LOCK PIN		02
27	0501217989	CABLE CONTROL PLUG		02
28	0581010090	SPRING PROTECTION PLASTIC HOSE		02

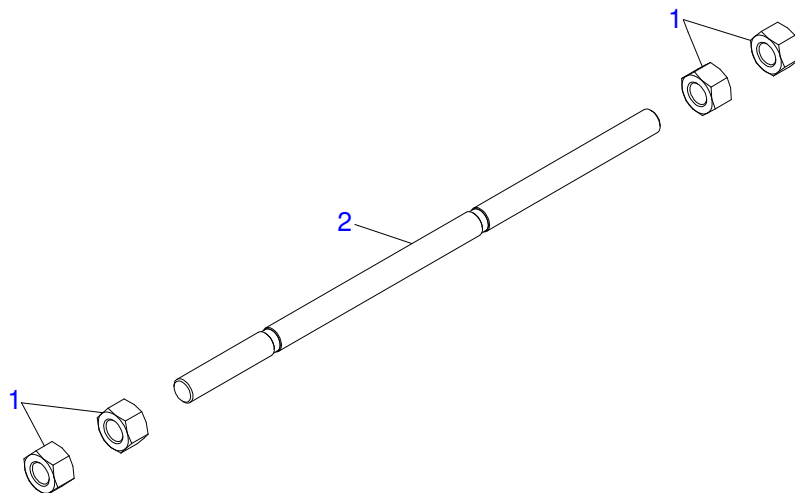


Item	Code	Description	See page	QT
01	0503062415	COMPLETE JOYSTICK CONTROL SDM122/2	01	01
02	0511018014	7/8"NF X 1.1/16 UN NIPPLE	03	03
03	0503010045	O'RING	04	04
04	0503011109	2-119 N 3006-9B O'RING	03	03
05	0503062625	MANIFOLD	01	01
06	0503062626	MANIFOLD	01	01
07	0521067687	MULTI CONNECTOR ADAPTER	04	04
08	0503030387	PLUG	07	07
09	0561017346	NIPPLE R7/8 UNF X M22	04	04

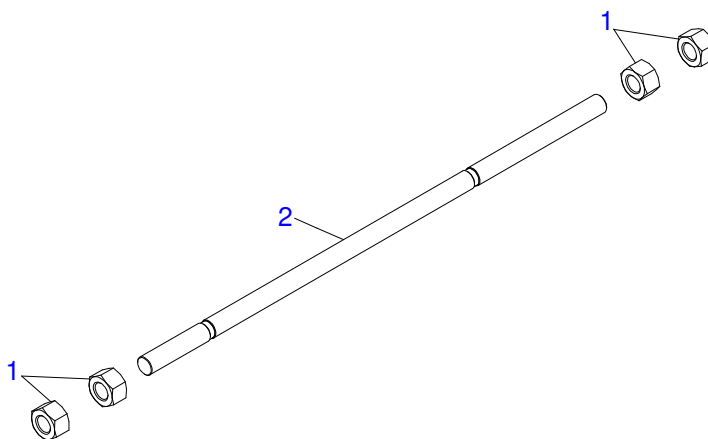


Item	Code	Description	See page	QT
01	0501217764	UPPER BODY JOYSTICK SUPPORT		01
02	0501217765	CENTRAL BODY JOYSTICK SUPPORT		01
03	0531065170	JOYSTICK BOTTOM SUPPORT		01
04	0503010849	3/8" X 1-1/2" BOLT		02
05	0501010984	FLAT WASHER 10,50 X 27 X 3,00		04
06	0503010026	3/8" NUT		02
07	0503010848	5/16" X 3.1/2" BOLT		04
08	0503010179	LOCK WASHER 5/16 ZN 1K01528		06
09	0501010694	FLAT WASHER		06
10	0503010337	5/16" NUT		06
11	0503011053	5/16" X 3" C S 6.5 ZN BOLT		02
12	0541015551	0.39" X 0.512" X 1.9" SLEEVE		02

ROD

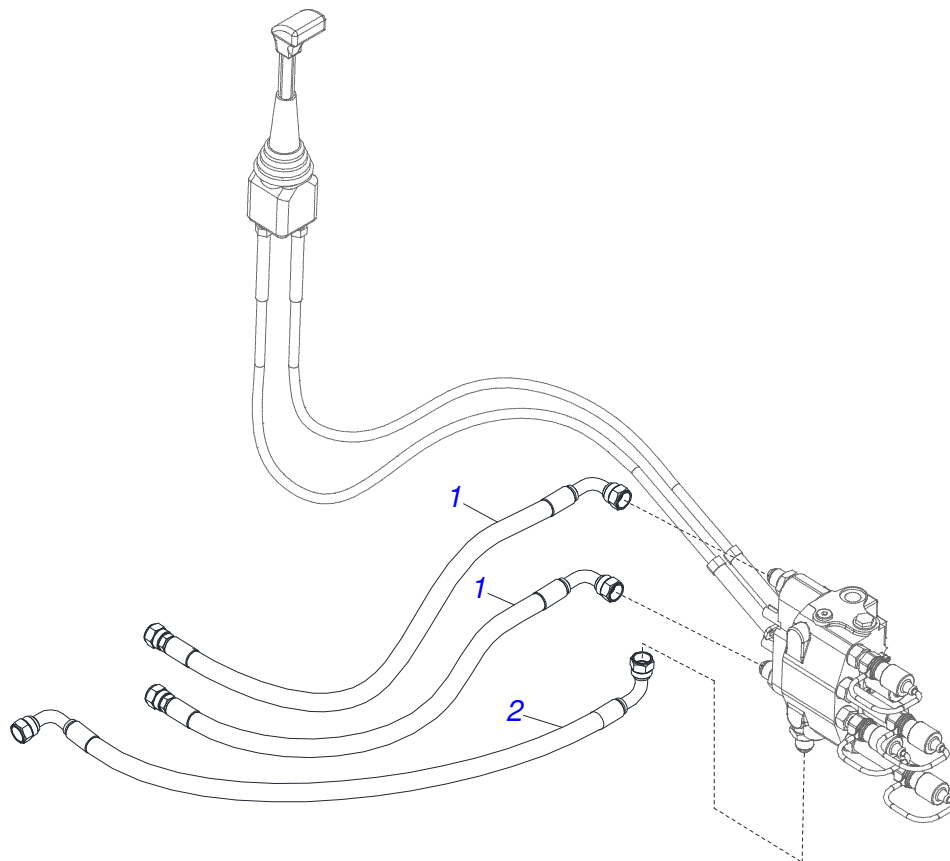


Item	Code	Description	See page	QT
01	0501010087	1.1/4" NUT		04
02	0581016870	ROD		01

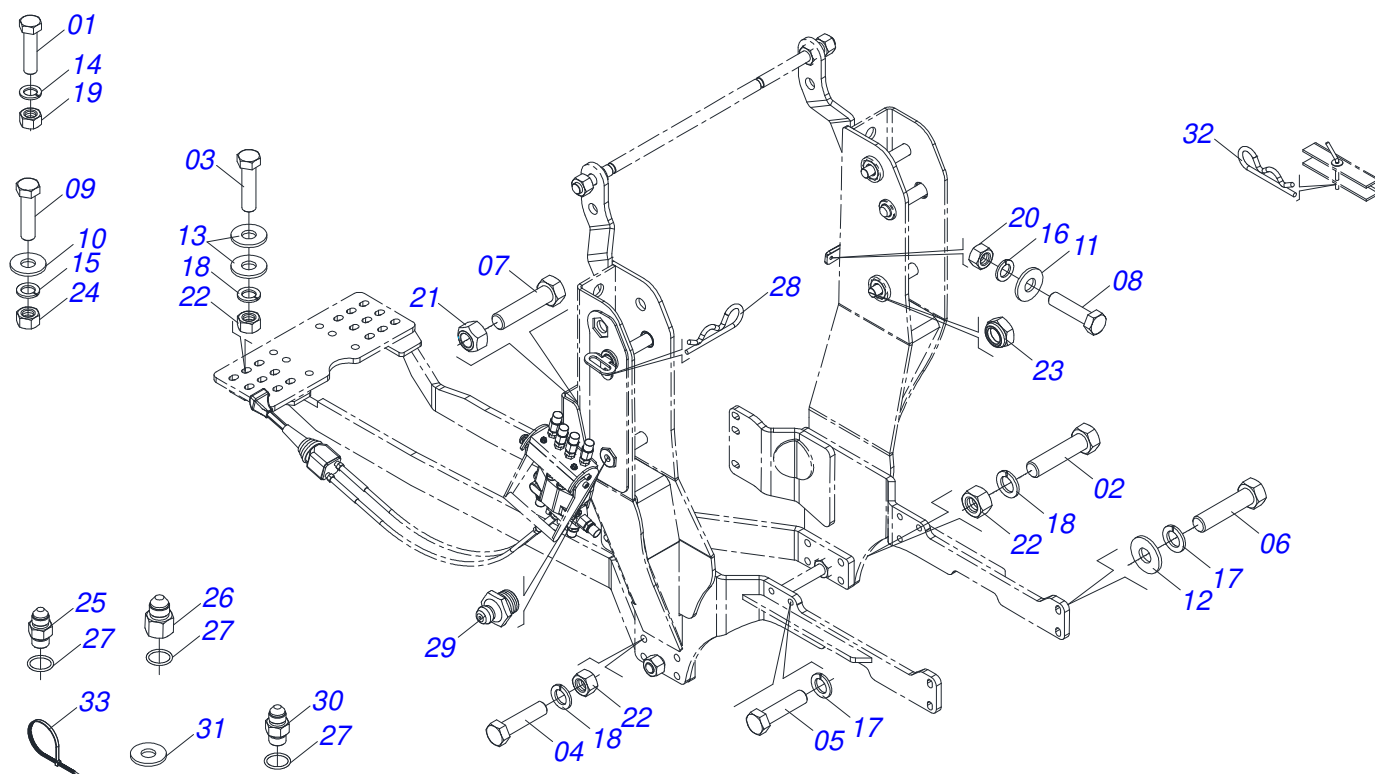


Item	Code	Description	See page	QT
01	0501010087	1.1/4" NUT		04
02	0541015018	ROD 1.1/4 NC X 1000		01

HOSE ASSY



Item	Code	Description	See page	QT
01	0501080495	1/2 X 2500 TR-TC HOSE		02
02	0501080786	1/2" X 98.42" HOSE ASSY		01



Item	Code	Description	See page	QT
01	0503017866	3/16" X 1,1/2" BOLT		01
02	0503011084	3/4" X 5" BOLT		04
03	0501010500	3/4"X3"BOLT		08
04	0503013390	3/4" UNC BOLT		04
05	0503012573	M16 X 2 X 65 BOLT		12
06	0503019419	BOLT		04
07	0501010063	1/2" X 1-1/2" BOLT		04
08	0503010849	3/8" X 1-1/2" BOLT		02
09	0503016506	5/16 UNC X 3/4 C S G.5 ZN BOLT		08
10	0501010694	FLAT WASHER		04
11	0501010984	FLAT WASHER 10,50 X 27 X 3,00		02
12	0501012140	FLAT WASHER		10
13	0501010322	FLAT WASHER		08
14	0503010668	3/16" SPRING WASHER		01
15	0503010179	LOCK WASHER 5/16 ZN 1K01528		08
16	0503010025	3/8" SPRING WASHER		02
17	0503010027	5/8" SPRING WASHER		16
18	0503010023	3/4" SPRING WASHER		16
19	0503010667	3/16" NUT		01
20	0503010026	3/8" NUT		02
21	0503011336	1/2" HEX SELF ADJUSTING NUT		04
22	0503010014	3/4" HEX NUT		16
23	0503010044	1-1/4" SELF LOCKING NUT		02
24	0503013759	NUT		04
25	0501010590	NIPPLE		01
26	0571019584	7/8 UNF NIPLE		01
27	0503010190	2-114 N 3006-9B O'RING		03
28	0503030012	HITCH PIN CLIP		02
29	0503010002	1800 GREASE FITTING		02
30	0581016941	NIPPLE		01
31	0591010147	FLAT WASHER		04



PACKED PARTS

0511033080

Item	Code	Description	See page	QT
32	0503030168	HITCH PIN CLIP		02
33	0503013527	CLAMP ZIPER		10



MARCHESAN

Technical Publications | Elaboration and Revision

LORENA ROCHA ALVES

www.marchesan.com.br

