

PCA - AGRICULTURAL FRONT LOADER

PCA 1100 MF

Code: 0501093460
Series: S-1001
Revision: 00
Date Revision: DEZEMBRO/2022

PARTS CATALOGUE



MARCHESAN



PRODUCTS

Code	Description
0106110476	PCA 1100 MF 640/650-4 SHT CD S-1001

ATTENTION: IMPORTANT

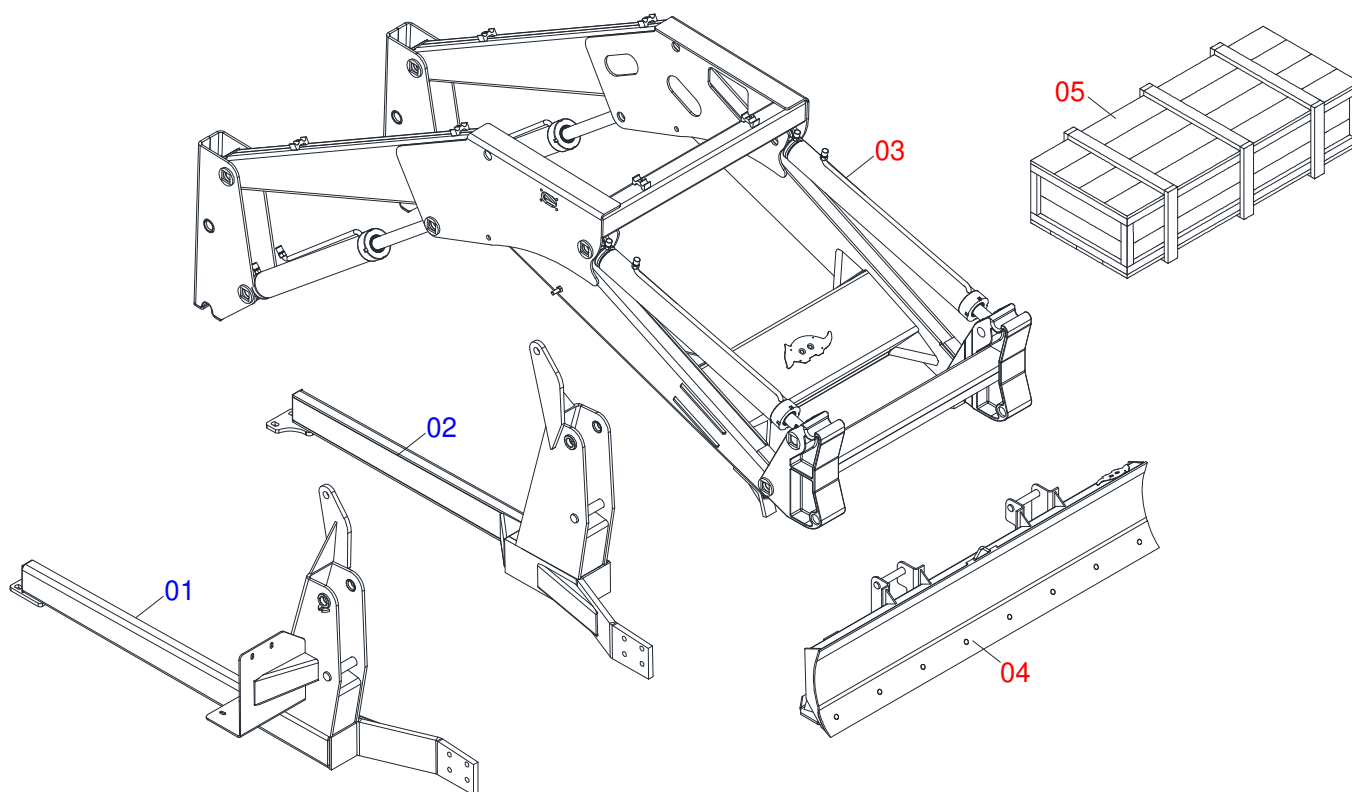
Marchesan S.A. reserves the right to improve and/or modify the technical features of its products, without obligation to do the same with those products already sold and without prior knowledge of the dealer or the consumer. The photos are only illustrative.



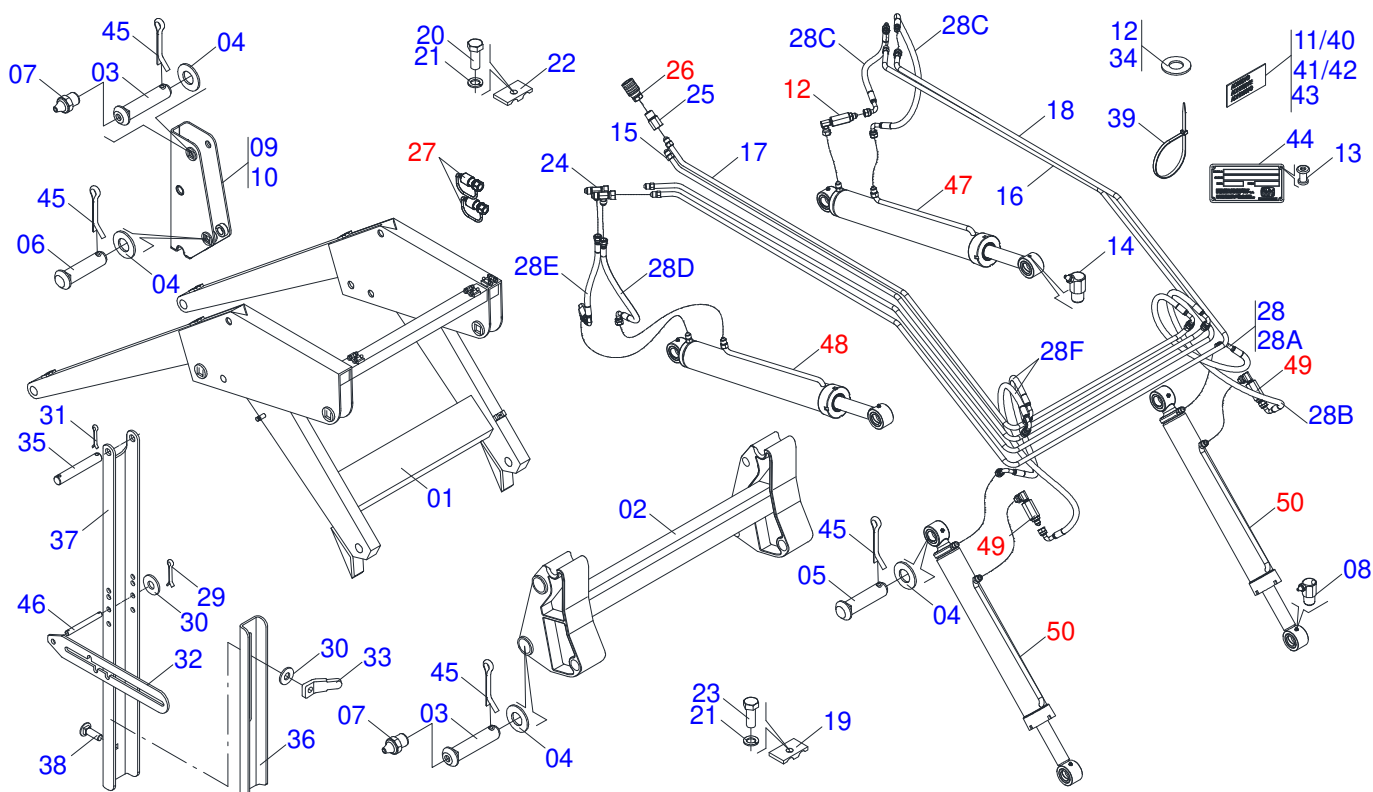
MARCHESAN

INDEX

0106110476	PCA 1100 MF 640/650-4 SHT CD S-1001	1
0501049347	MOBILE SUPPORT ASSY - PCA 1100	2
0501053835	FEMALE QUICK COUPLER	3
0501053834	MALE QUICK COUPLER	4
0511057974	44,45 X 85,72 X 870 X 593 HYDRAULIC CYLINDER	5
0511057772	SECURITY VALVE ASSY	6
0511057973	HIDRAULIC CYLINDER 44,45 X 76,20 X 820 X 551	7
0511043382	DOZER BLADE 2400	8
0501029055	BOX WITH COMPONENTS	9
0501047807	OIL RESERVOIR ASSY	10
0501041627	1/2" DOUBLE COMMAND	11
0501041108	RETURNING FILTER ASSY	12
0501042819	1.1/4"NC X 33.46" ROD ASSY	13
0501035388	PACKAGED PARTS	14



Item	Code	Description	See page	QT
01	0511064634	RIGHT FRAME		01
02	0511063328	LEFT FRAME		01
03	0501049347	MOBILE SUPPORT ASSY - PCA 1100	2	01
04	0511043382	DOZER BLADE 2400	8	01
05	0501029055	BOX WITH COMPONENTS	9	01



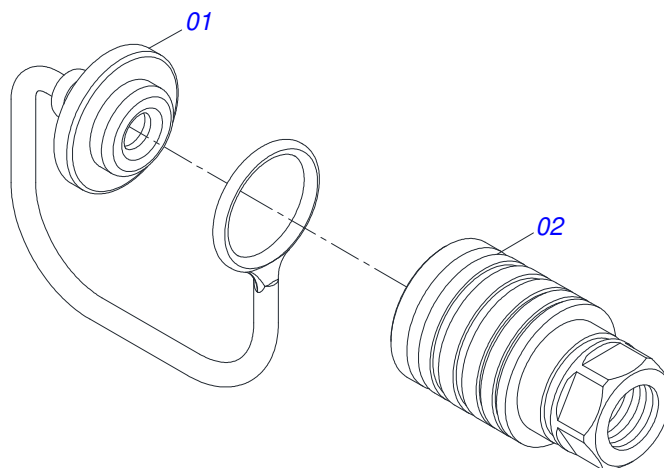
Item	Code	Description	See page	QT
01	0511060289	MOBILE SUPPORT		01
02	0501069146	JOINT SUPPORT PCA 800		01
03	0521012870	1.46" X 6.18" PIVOT SHAFT		02
04	0511019685	FLAT WASHER		08
05	0521012868	1.4" X 5" PIVOT SHAFT		04
06	0521012869	COUPLING SHAFT		04
07	0503010002	1800 GREASE FITTING		06
08	0503010004	1890 GREASE FITTING		02
09	0502012472	MOBILE TOWER		01
10	0502012473	LEFT MOBILE TOWER		01
11	0503034078	LIFTING POINTS DECAL		03
12	0501016170	FLAT WASHER		02
13	0503010001	3.2 X 5.5 RIVET		04
14	0503010003	1845 GREASE FITTING		02
15	0501069860	OUTER OIL TUBE		01
16	0501069861	INNER OIL TUBE		01
17	0501069857	RIGHT RIGHT OIL TUBE		01
18	0501069858	LH RIGHT OIL TUBE		01
19	0531011180	UPPER BODY CLIP		06
20	0503011102	BOLT 7/16 UNC X 1.1/4 C S G.5 ZN		02
21	0503010180	7/16" SPRING WASHER		06
22	0502010477	HOSE CLAMP		04
23	0503012555	SCREW 7/16 UNC X 2 CS RT G.7 ZN		04
24	0503011968	3/4" 8R6X-S T ADAPTER WITH SWIVEL NUT		02
25	0511019876	1/2" NIPPLE		04
26	0501053835	FEMALE QUICK COUPLER	3	02
27	0501053834	MALE QUICK COUPLER	4	02
28	0501053238	HOSE ASSY		01
28A	0501080688	3/8" X 25" TC-TC 90G HOSE		01
28B	0501080777	LH 3/8" X 25.9" TC-TC HOSE		01
28C	0501080745	3/8" X 25" TC-TC HOSE ASSY		02



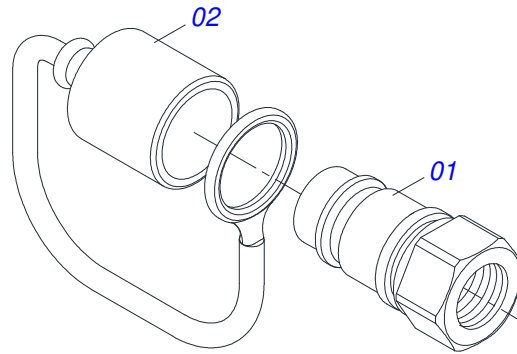
MOBILE SUPPORT ASSY - PCA 1100

0501049347

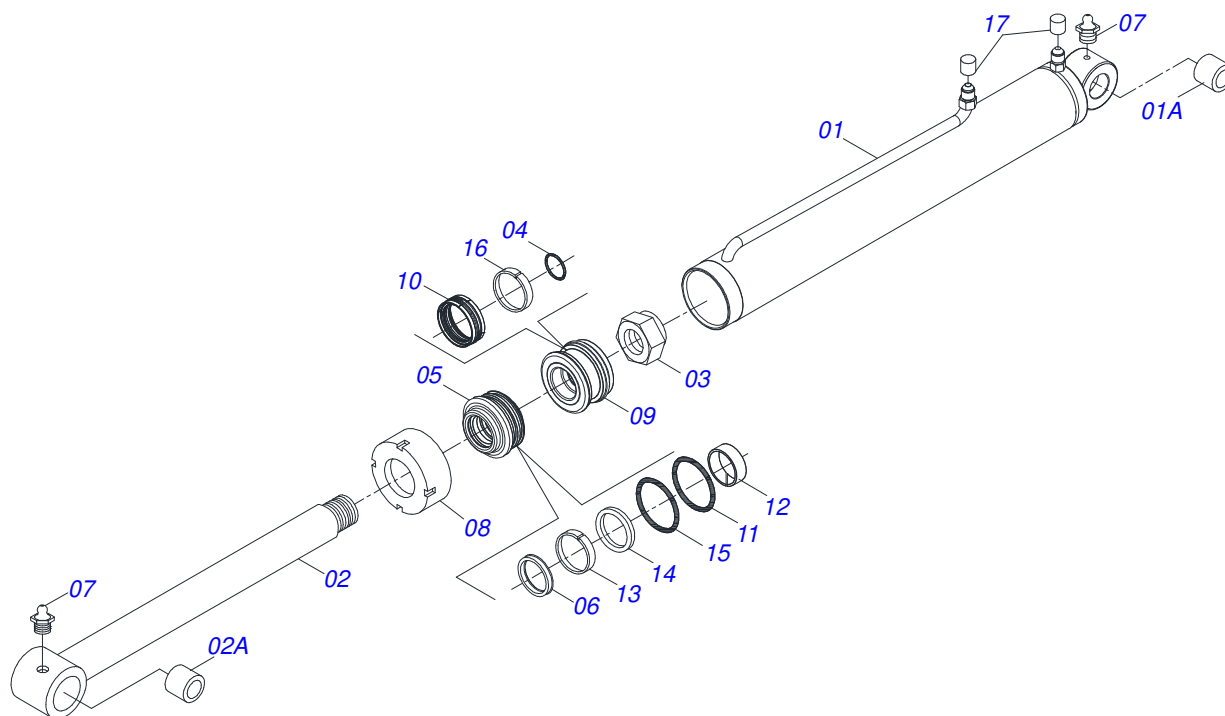
Item	Code	Description	See page	QT
28D	0501080105	3/8 X 700 TR-TR HOSE		01
28E	0501080766	3/8" X 27.56" TC-TC HOSE		01
28F	0501080150	3/8 X 800 TR-TC HOSE		02
29	0503010071	3/16" X 1" COTTERPIN		04
30	0511017302	FLAT WASHER 13,50 X 32,50 X 3,0 ZN		08
31	0503010071	3/16" X 1" COTTERPIN		04
32	0511019634	CONTROL LOCK		02
33	0561016329	LATCH HOLDER REST PCA		04
34	0501012916	FLAT WASHER 38,50 X 66 X 4,75 ZN		02
35	0511013598	3/4" X 4.7" COUPLING SHAFT		02
36	0561016619	COMPLEMENTON REST		02
37	0561016401	PLOUGH SUPPORT BODY		02
38	0503014378	1/2" X 1-1/2" BOLT		02
39	0503013527	CLAMP ZIPER		04
40	0503031087	ADHESIVE LABEL		01
41	0503031428	READ MANUAL DECAL		01
42	0503031827	LUBRICATE AND RETIGHTEN DAILY DECAL		01
43	0503062217	SET LABEL ADHESIVE		01
44	0503034003	SERIAL NUMBER TAG 61 X 118		01
45	0503010534	3/8 X 2-1/2 COTTERPIN		12
46	0521012823	COUPLING SHAFT		02
47	0511057974	44,45 X 85,72 X 870 X 593 HYDRAULIC CYLINDER	5	01
48	0511057974	44,45 X 85,72 X 870 X 593 HYDRAULIC CYLINDER	5	01
49	0511057772	SECURITY VALVE ASSY	6	04
50	0511057973	HIDRAULIC CYLINDER 44,45 X 76,20 X 820 X 551	7	02



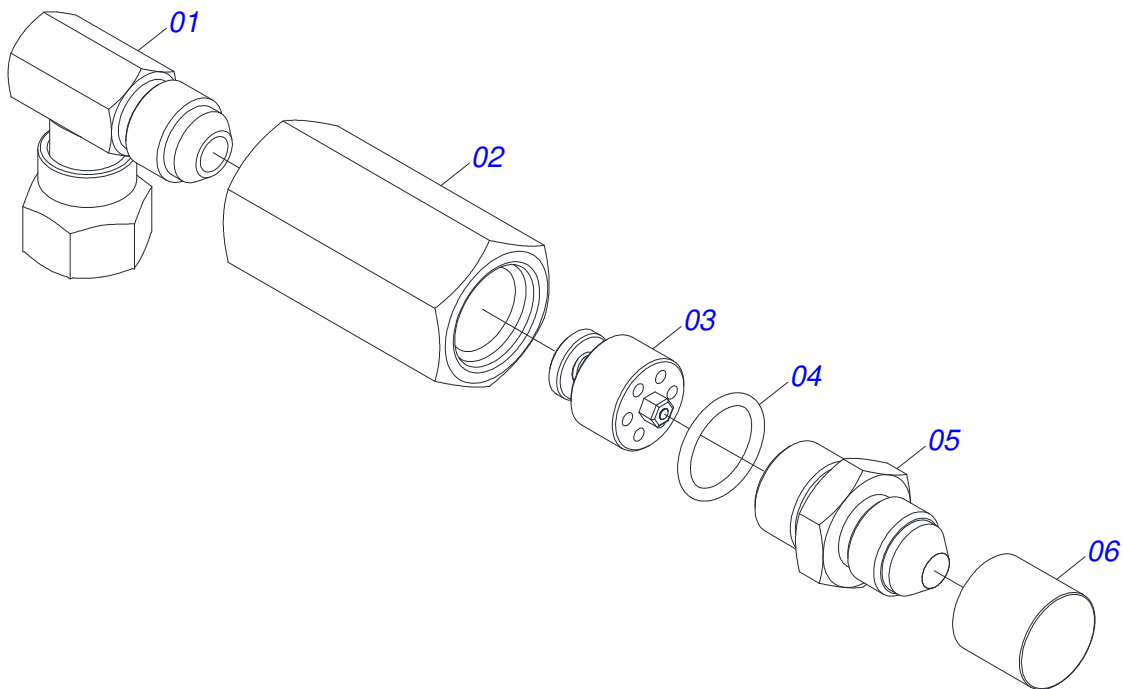
Item	Code	Description	See page	QT
01	0503011883	QUICK CONNECTION COVER		01
02	0503011628	FEMALE QUICK COUPLER		01



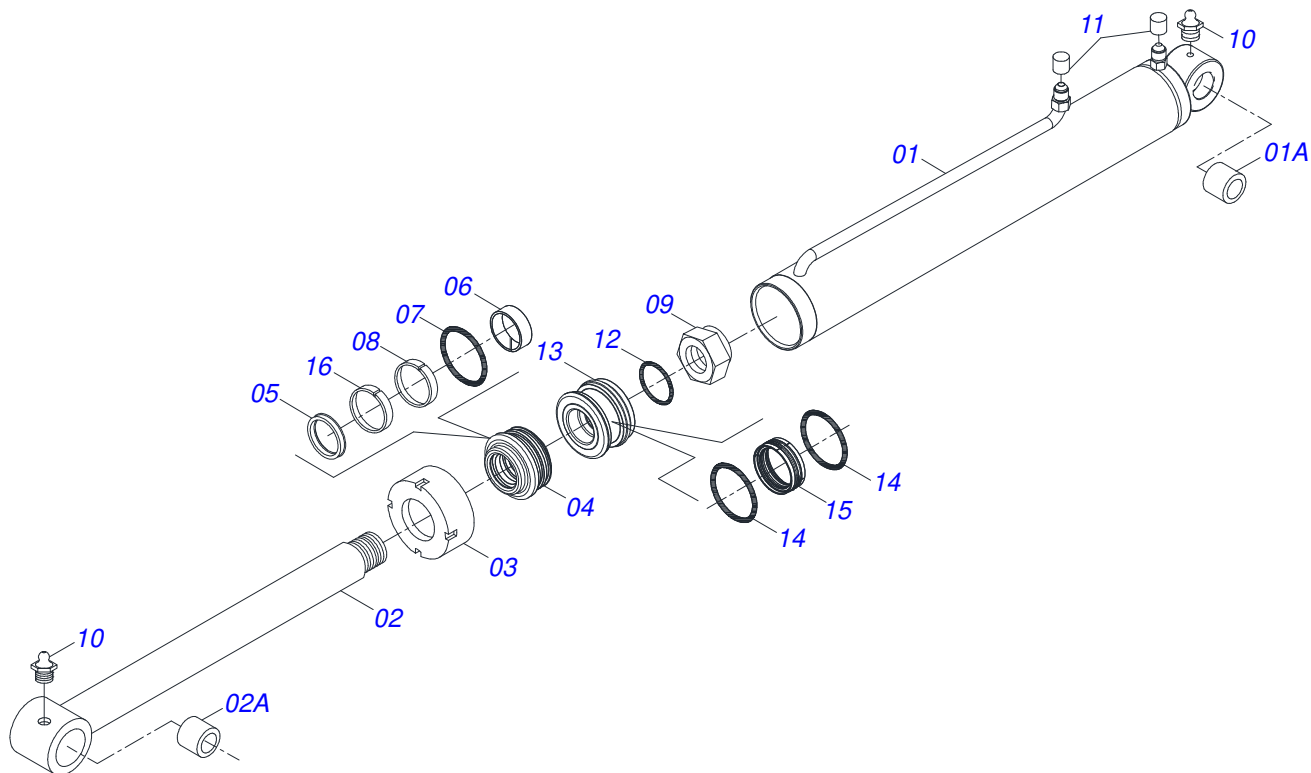
Item	Code	Description	See page	QT
01	0503011627	MALE QUICK COUPLER AGR 1/2 NPT		01
02	0503011882	MALE QUICK COUPLER CAP		01



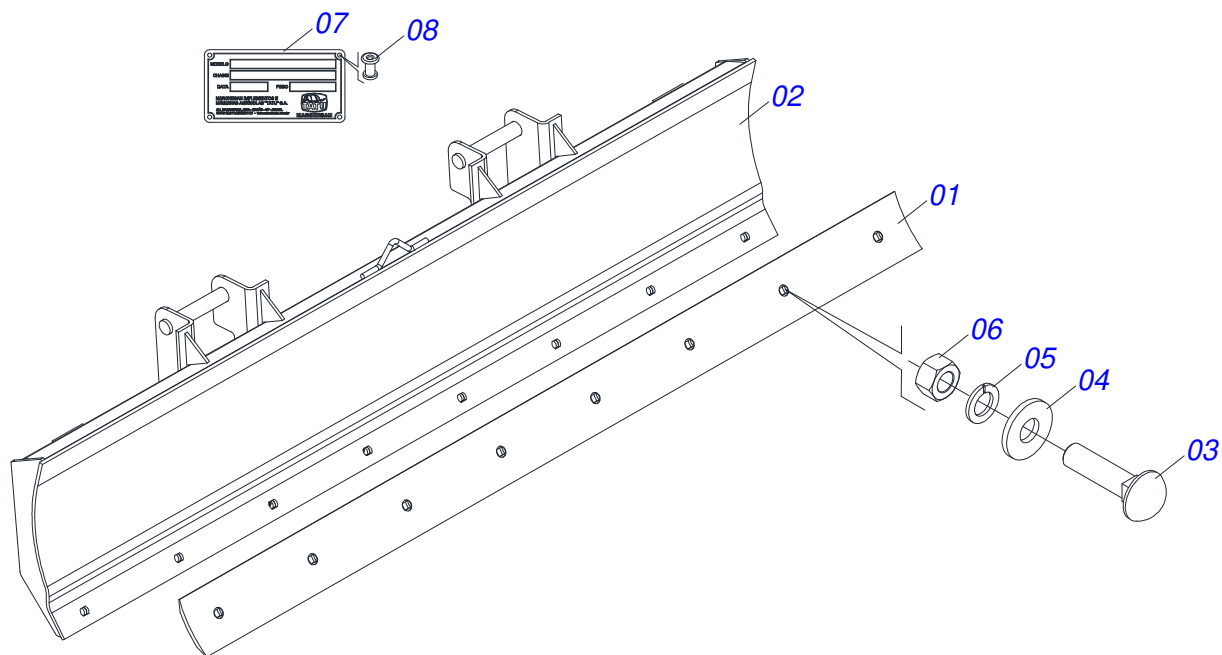
Item	Code	Description	See page	QT
01	0511069198	BODY SHIRT WITH MAKING		01
01A	0521010514	38,1 X 52,9 X 50 SLEEVE INTER		02
02	0521066404	44,45 X 772 TURNBUCKLE		01
03	0503010063	1" SELF-ALIGNING NUT		01
04	0503010042	2-214 N 3006-9B O'RING		01
05	0571019711	RING SUPPORT		01
06	0503010761	D-1750 SCRAPER RING		01
07	0503010002	1800 GREASE FITTING		02
08	0571019709	DETACHABLE COVER		01
09	0571019710	1.7" X 3.4" PISTON		01
10	0503017935	RING		01
11	0503017936	RING		01
12	0503017938	RING GUIDE		01
13	0503017937	GASKET		01
14	0503017940	8-337 BACK-UP RING		02
15	0503017939	2-337 N 3006-9B O' RING		02
16	0503018144	RING		01
17	0503030385	CYLINDER PLUG N-002		02
18	0511032784	HYDRAULIC CYLINDER REPAIR KIT		01



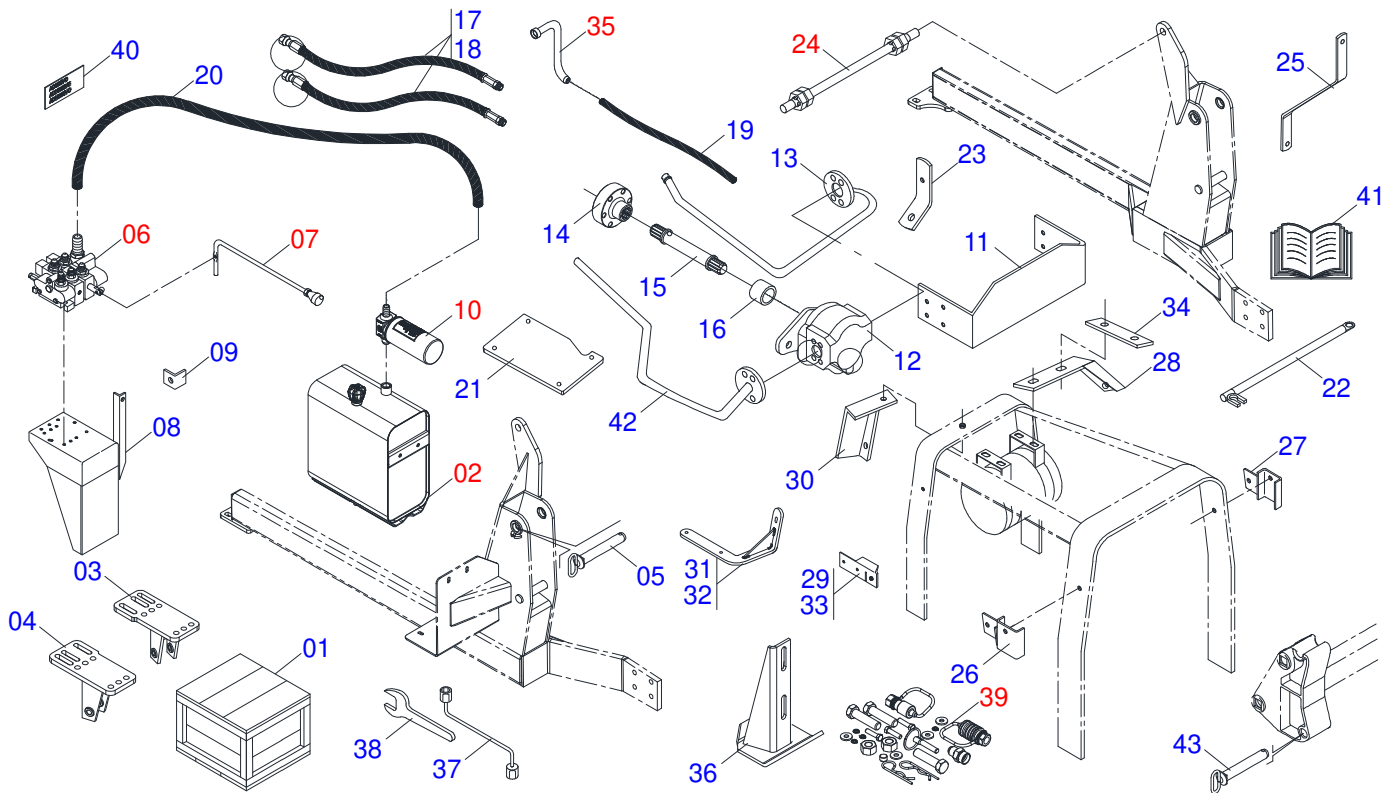
Item	Code	Description	See page	QT
01	0503018034	MALE KNEE JIC		01
02	0581014055	ADAPTER		01
03	0503016854	VALVE ASSY		01
04	0503010045	O'RING		01
05	0581014054	BSP 1/2" NIPPLE		01
06	0503030385	CYLINDER PLUG N-002		01



Item	Code	Description	See page	QT
01	0521066381	CYLINDER CASE 76,20 X 723		01
01A	0501110275	BUSHING COUPLING 75 X 38,1 X 50		02
02	0511065578	1.7" X 28.18" TURNBUCLE		01
03	0502012264	RING SUPPORT 1.75" X 3"		01
04	0503010761	D-1750 SCRAPER RING		01
05	0503010949	W2-2000-500 PK RING G.E		01
06	0503010343	2-334 N 3006-9B O'RING		01
07	0503011059	8-334 BACK-UP RING		01
08	0503010063	1" SELF-ALIGNING NUT		01
09	0503010002	1800 GREASE FITTING		02
10	0503030385	CYLINDER PLUG N-002		02
11	0503010042	2-214 N 3006-9B O'RING		01
12	0581010304	PISTON		01
13	0503018138	RING BS		02
14	0503018140	RING GUIDE		01
15	0503017937	GASKET		01
16	0502011899	MOBILE COVER		01
17	0511032725	HYDRAULIC CYLINDER REPAIR KIT		



Item	Code	Description	See page	QT
01	0622360016	94.5" SCRAPER REVERSIBLE		01
02	0501069112	2400MM DOZER BLADE		01
03	0501812240	BOLT		08
04	0501812140	FLAT WASHER		08
05	0503011445	SPRING WASHER		08
06	0503810013	NUT 5/8 NC		08
07	0503034003	SERIAL NUMBER TAG 61 X 118		01
08	0503010001	3.2 X 5.5 RIVET		04

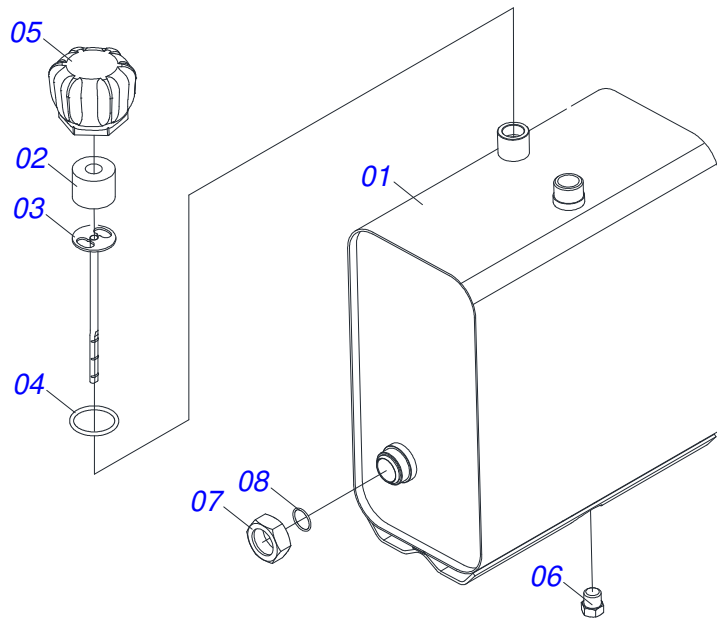


Item	Code	Description	See page	QT
01	0501100504	BOX		01
02	0501047807	OIL RESERVOIR ASSY	10	01
03	0501067513	FRAME RIGHT BEARING HANGER		01
04	0501067514	FRAME LEFT BEARING HANGER		01
05	0511064410	1.5" X 8.1" COUPLING SHAFT		02
06	0501041627	1/2" DOUBLE COMMAND	11	01
07	0501048023	CONTROL VALVE		02
08	0511063961	SUPPORT CONTROL VALVE		01
09	0521012360	L FIXER SUPPORT		02
10	0501041108	RETURNING FILTER ASSY	12	01
11	0531016661	FRONTAL SUPPORT PUMP		01
12	0503060153	40L 1/2" PUMP		01
13	0501066832	PUMP PRESSURE TUBE		01
14	0503050056	COUPLING FLANGE		01
15	0501057557	555X1.1/8 ESTX1.1/8-30G AXLE		01
16	0503030838	1-1/8" X 2.4" SLEEVE		01
17	0501080601	3/8" X 66.9 TC-TM HOSE		04
18	0501080233	HOSE 3/4 X 1800 TR-TC		01
19	0501013436	AB-AB HOSE		01
20	0501010835	HOSE		01
21	0511014794	BATTERY SUPPORT		02
22	0503031009	BATTERY POSITIVE CABLE		01
23	0511014792	PRESSURE/SUCTION DUCT SUPPORT		01
24	0501042819	1.1/4"NC X 33.46" ROD ASSY	13	01
25	0521012541	REDLIGHT SUPPORT		02
26	0501066793	RH FIXER SUPPORT HOOD		01
27	0501066794	LH FIXER SUPPORT HOOD		01
28	0501066795	LH HOOD FIXER REAR SUPPORT		01
29	0501068307	RH HOOD CUSHION FRONT SUPPORT		01
30	0511066525	RH HOOD FIXER SUPPORT		01
31	0511065270	SUPPORT FIXER CANOPY FRONT		01

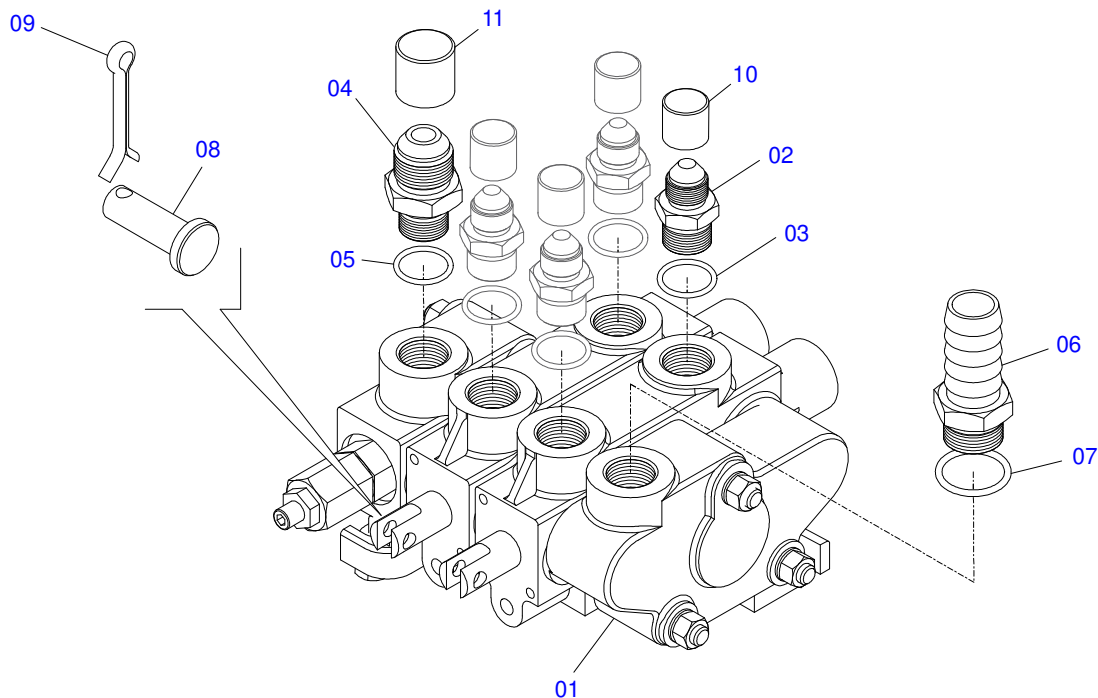


PCA 1100 MF
BOX WITH COMPONENTS

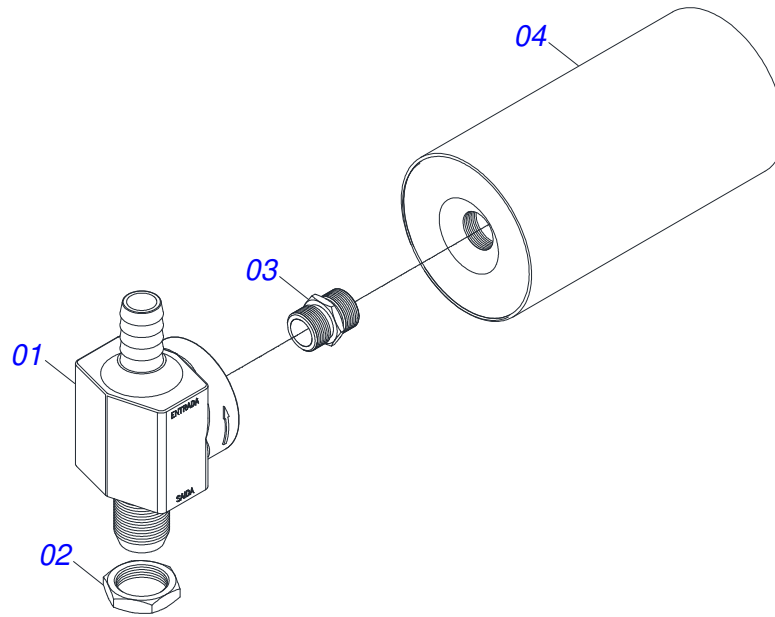
Item	Code	Description	See page	QT
32	0511069108	LEFT FRONT LEFT CAPO FIXER SUPPORT		01
33	0511066032	HOOD CUSHION FRONT SUPPORT		01
34	0531015896	HOOD FIXER LOCK SUPPORT		01
35	0501067815	TANK OUTER TUBE		01
36	0501063411	ESTABILIZER BRACKET		02
37	0501068213	5/8" WRENCH DOUBLE		01
38	0511010153	2-5/16" FIXED WRENCH		01
39	0501035388	PACKAGED PARTS	14	01
40	0503030770	ADHESIVE LABEL		01
41	0511032439	BAG WITH INSTRUCTION MANUAL		01
42	0501066833	PUMP SUCTION TUBE		01
43	0521066515	37,20 X 240 ARTICULATION SHAFT WITH HANDLE		02



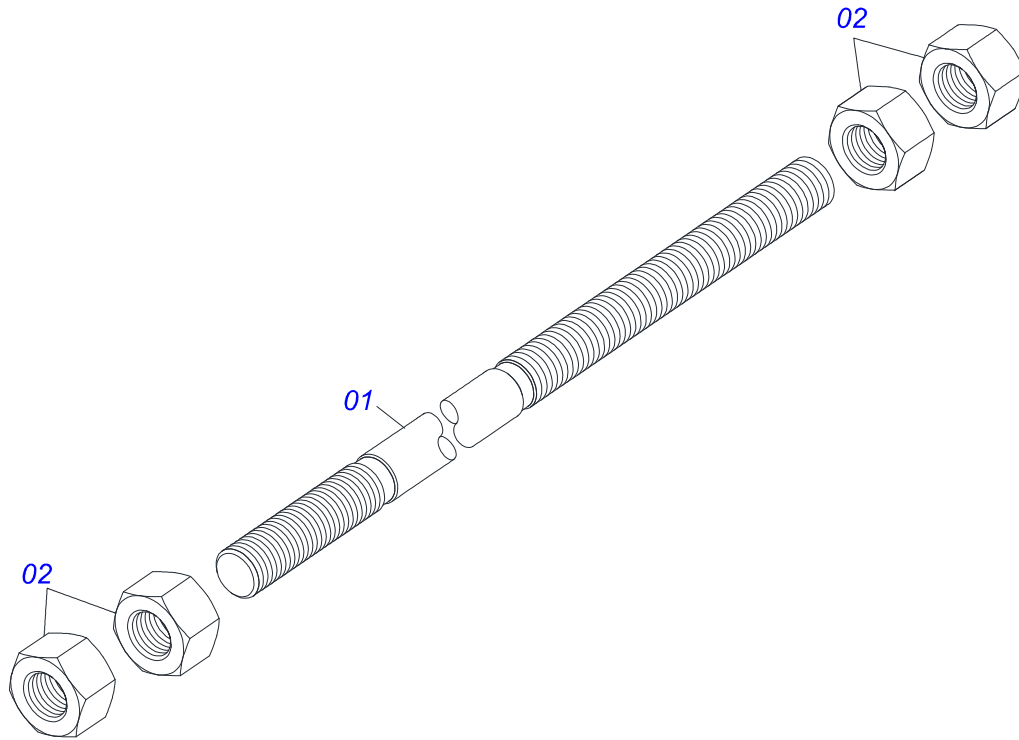
Item	Code	Description	See page	QT
01	0501068880	OIL RESERVOIR		01
02	0503030044	FILTERING ELEMENT		01
03	0501060975	OIL GAGE		01
04	0503010185	2-221 N 3006-9B O'RING		01
05	0502020472	FRONTAL COVER		01
06	0503031604	1/2" BSP PLUG		01
07	0501016309	2" 1X 2.5/16" NUT		01
08	0503010046	2-216 N 3006-9B O'RING		01



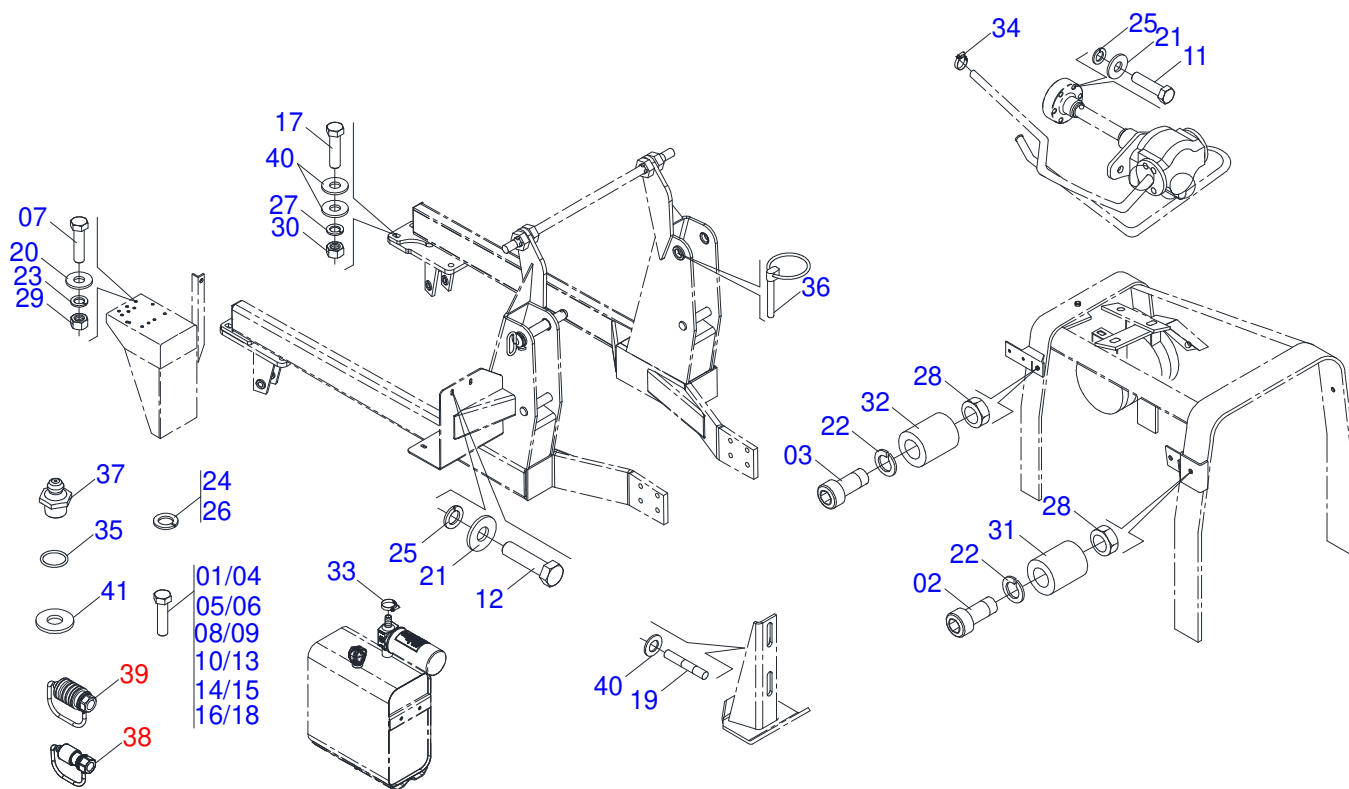
Item	Code	Description	See page	QT
01	0503060016	1/2"DOUBLE COMMAND		01
02	0511010111	7/8" NIPPLE		04
03	0503010045	O'RING		04
04	0501010589	R. 1.1/16UN SEXT 1.1/4 X 52 NIPPLE		01
05	0503011109	2-119 N 3006-9B O'RING		01
06	0501010591	HOSE NIPPLE		01
07	0503011109	2-119 N 3006-9B O'RING		01
08	0521010533	0.3" X 1" COUPLING SHAFT		02
09	0503010140	1/8" X 3/4" COTTERPIN		02
10	0503030385	CYLINDER PLUG N-002		04
11	0503030388	PLUG N-005		01



Item	Code	Description	See page	QT
01	0502050002	RETURNING FILTER HEAD		01
02	0501010594	1" NUT		01
03	0501010595	1" NF NIPPLE FITTING		01
04	0503010183	RETURNING FILTER		01



Item	Code	Description	See page	QT
01	0501018845	1.1/4" X 33.46" ROD		01
02	0501010087	1.1/4" NUT		04



Item	Code	Description	See page	QT
01	0503010376	5/16" X 1" BOLT		04
02	0503011363	5/16" X 1-1/4" BOLT		04
03	0503011429	M 8 X 1,25 X 40 BOLT		02
04	0503010237	3/8" X 1" BOLT		04
05	0503010751	C3/8" X 1.1/4" HEX BOLT G.5		08
06	0501010080	3/8" BOLT		03
07	0501011048	3/8" X 2-1/2" BOLT		01
08	0503010355	7/16" X 1" BOLT		04
09	0503011102	BOLT 7/16 UNC X 1.1/4 C S G.5 ZN		04
10	0503010119	7/16" X 1-1/4" BOLT		04
11	0501010161	1/2" X 1.1/4" BOLT		04
12	0503010920	1/2 UNC X 1.1/2 C S G.5 ZN BOLT		02
13	0503013021	M14 X 2 X 100 BOLT		02
14	0501013867	BOLT 5/8 UNC X 6 CS G.5 ZN		02
15	0501011544	3/4" X 1-1/2" BOLT		06
16	0501010125	3/4" X 2-1/2" BOLT		08
17	0501010500	3/4"X3"BOLT		04
18	0503011198	C3/4" X 6" SCREW		02
19	0561016756	3/4 UNC X 3/4 UNC X 56 PRISONER		04
20	0501010984	FLAT WASHER 10,50 X 27 X 3,00 ZN		03
21	0511017302	FLAT WASHER 13,50 X 32,50 X 3,0 ZN		06
22	0503010179	LOCK WASHER 5/16 ZN 1K01528		08
23	0503010025	3/8" SPRING WASHER		20
24	0503010180	7/16" SPRING WASHER		08
25	0503010019	1/2" SPRING WASHER		06
26	0503010027	5/8" SPRING WASHER		14
27	0503010023	3/4" SPRING WASHER		22
28	0503010337	5/16" NUT		08
29	0503010026	3/8" NUT		20
30	0503010014	3/4" HEX NUT		08
31	0503011314	SUPPORT		04



PCA 1100 MF
PACKAGED PARTS

Page 14
0501035388

Item	Code	Description	See page	QT
32	0503011315	SHOCK ABSORBER		04
33	0503010184	CLAMP		02
34	0503010243	CLAMP		02
35	0503010173	2-220 N 3006-9B O'RING		02
36	0503030430	7/16 X 2" PIN LOCK		04
37	0503010002	1800 GREASE FITTING		06
38	0501053834	MALE QUICK COUPLER	4	02
39	0501053835	FEMALE QUICK COUPLER	3	02
40	0501010322	FLAT WASHER		14
41	0501012140	FLAT WASHER		20



MARCHESAN

Technical Publications | Elaboration and Revision

LORENA ROCHA ALVES

www.marchesan.com.br

