

ROTARY CUTTERS

ROP2 1500 CM/DM

Code: 0501093456
Series: S-0222
Revision: 00
Date Revision: DEZEMBRO/2022

PARTS CATALOGUE



MARCHESAN



PRODUCTS

Code	Description
0104030019	ROP2 1500 (CM) S-0222
0104030018	ROP2 1500 (DM) S-0222

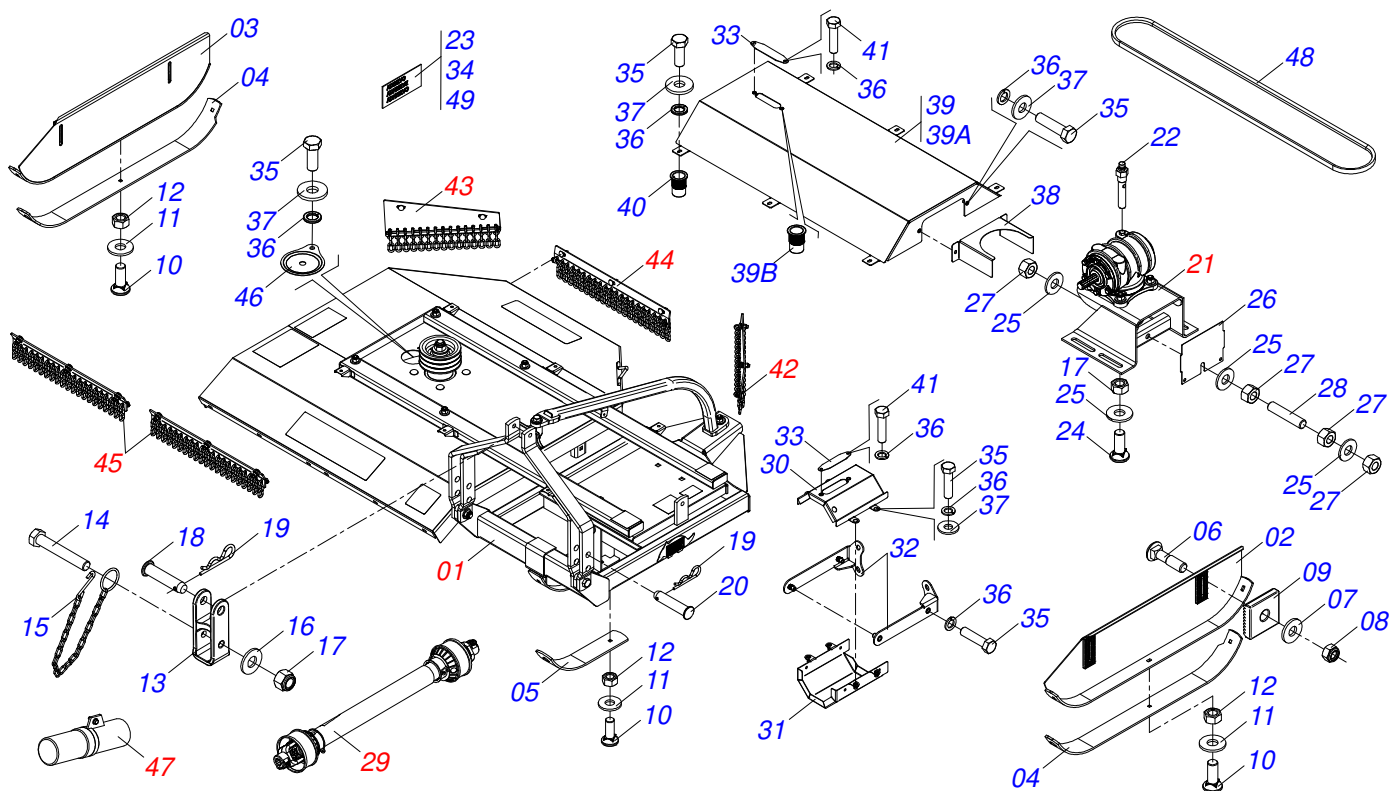
ATTENTION: IMPORTANT

Marchesan S.A. reserves the right to improve and/or modify the technical features of its products, without obligation to do the same with those products already sold and without prior knowledge of the dealer or the customer. The photos are only illustrative.



INDEX

0909096613	FRAME ASSY	1
0531054422	SEMI-ASSEMBLED CHASSIS DM	2
0531054472	SEMI-ASSEMBLED CHASSIS CM	3
0521055678	SUPPORT 340 WITH ROCATOR DM WITH DEFLECTOR	4
0511043567	ROTARY CUTTERS HUB ASSY	5
0531054493	SUPPORT 340 WITH ROCATOR CM WITH DEFLECTOR	6
0501051400	MULTIPLIER WITH SUPPORT/PULLEY 1.3/8	7
0501046851	MULTIPLIER	8
0501047947	DRIVE SHAFT	9
0531054491	REAR LEFT SIDE CHAIN PROTECTION (545)	10
0531054490	RIGHT REAR SIDE CHAIN PROTECTION (545)	11
0531054489	REAR CHAIN PROTECTION (760)	12
0531054488	FRONT CHAIN PROTECTION (760)	13
0531054496	HAND DOOR SET	14



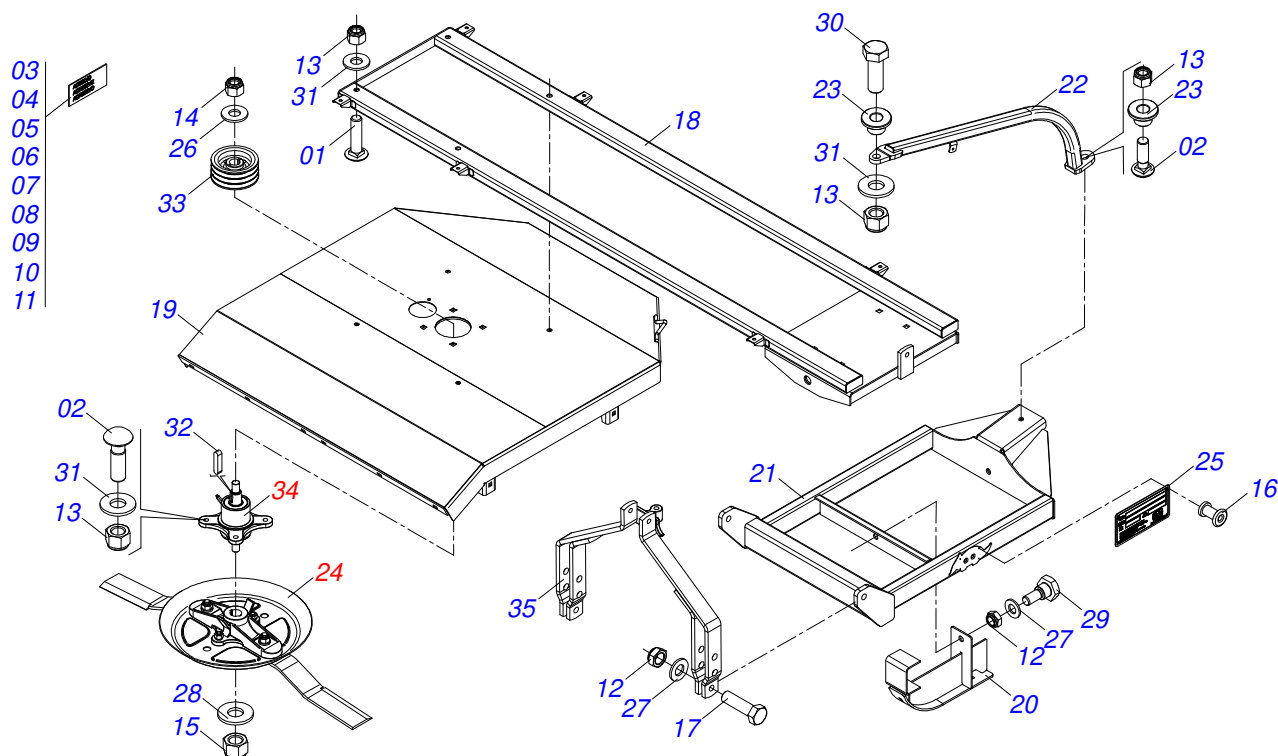
Item	Code	Description	See page	DM	CM
01	0531054422	SEMI-ASSEMBLED CHASSIS DM	2	01	00
01.	0531054472	SEMI-ASSEMBLED CHASSIS CM	3	00	01
02	0521066192	LEFT SKATE		01	01
03	0521066193	RIGHT SKATE		01	01
04	0531019433	SKID GUIDE		02	02
05	0521013465	SKID GUIDE		01	01
06	0501014177	5/8" X 2-1/2" BOLT		04	04
07	0501012140	FLAT WASHER		04	04
08	0503013389	5/8" SELF LOCKING NUT		04	04
09	0502010083	SQUARE WASHER		04	04
10	0503012956	1/2" X 1-1/2" BOLT		08	08
11	0511017302	FLAT WASHER 13,50 X 32,50 X 3,0 ZN		08	08
12	0503012682	1/2" BSW NUT		08	08
13	0502040922	HEADER SUPPLEMENT		01	01
14	0501011545	3/4" X 6-1/2" BOLT		01	01
15	0503011981	17.7" CHAIN WITH HOOK/LINK		01	01
16	0501010104	45 X 20 X 4 FLAT WASHER		01	01
17	0503011075	3/4" UNC NUT		05	05
18	0521010578	COUPLING SHAFT		01	01
19	0503031035	HITCH PIN CLIP		03	03
20	0521010596	COUPLING SHAFT		02	02
21	0501051400	MULTIPLIER WITH SUPPORT/PULLEY 1.3/8	7	01	01
22	0501110186	OIL SMALLER LEVEL INDICATOR		01	01
23	0503031127	ADHESIVE LABEL		01	01
24	0501017305	3/4" X 2-1/4" BOLT		04	04
25	0501010322	FLAT WASHER		07	07
26	0581012545	PROTECTION BELT MULTIPLIER SUPPORT		01	01
27	0503010014	3/4" HEX NUT		04	04
28	0501013451	282 TENSIONER BODY		01	01
29	0501047947	DRIVE SHAFT	9	01	01
30	0501110998	CARDAN TOP PROTECTION COVER		01	01



FRAME ASSY

0909096613

Item	Code	Description	See page	DM	CM
31	0501111144	BOTTOM PROTECTION COVER COUPLING WITH RIVET		01	01
32	0501110996	LOWER SUPPORT COVER PROTECTION WITH RIVET		01	01
33	0581012546	LUBRICATION AXIS TRANSMISSION		02	02
34	0503034247	ADHESIVE LABEL POINT LUBRICATION		02	02
35	0503010237	3/8" X 1" BOLT		17	17
36	0503010025	3/8" SPRING WASHER		21	21
37	0501010984	FLAT WASHER 10,50 X 27 X 3,00 ZN		13	13
38	0501213217	COMPLEMENT CAPA PROTECTION MULTIPLIER		01	01
39	0531054498	MULTIPLIER PROTECTION COVER WITH RIVET		01	01
39A	0531063713			01	01
39B	0503019416	RIVET SCREW THREAD INTERNAL		04	04
40	0503019416	RIVET SCREW THREAD INTERNAL		07	07
41	0503010256	3/8" X 3/4" BOLT		04	04
42	0531054491	REAR LEFT SIDE CHAIN PROTECTION (545)	10	01	01
43	0531054490	RIGHT REAR SIDE CHAIN PROTECTION (545)	11	01	01
44	0531054489	REAR CHAIN PROTECTION (760)	12	01	01
45	0531054488	FRONT CHAIN PROTECTION (760)	13	02	02
46	0591012025	ACCESS COVER		01	01
47	0531054496	HAND DOOR SET	14	01	01
48	0503010153	C-51 BELT		03	03
49	0503031087	ADHESIVE LABEL		01	01



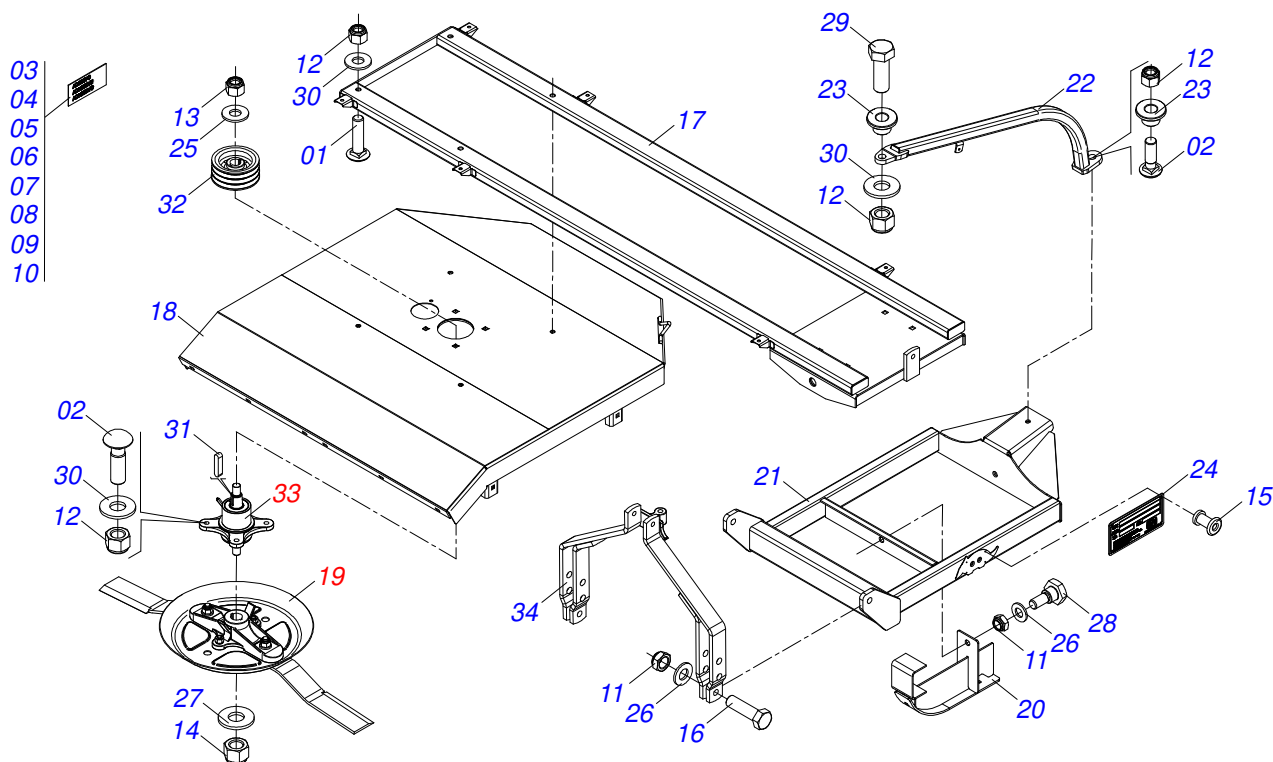
Item	Code	Description	See page	QT
01	0503017867	SCREW 3/4 UNC X 4.1/2 CAPQ G.7 ZN	04	
02	0503014249	3/4" X 2-1/2" BOLT	05	
03	0503035633	ADHESIVE LABELS	01	
04	0503034333	ADHESIVE LABEL	01	
05	0503032949	ADHESIVE LABEL	01	
06	0503032534	ADHESIVE LABEL	01	
07	0503031931	ADHESIVE LABEL	01	
08	0503031930	ADHESIVE LABEL	01	
09	0503031929	ADHESIVE LABEL	01	
10	0503031428	READ MANUAL DECAL	01	
11	0503031427	ADHESIVE LABEL	01	
12	0503014182	SELF-ADJUSTING NUT	04	
13	0503011075	3/4" UNC NUT	10	
14	0503010817	1.1/4" SELF LOCKING NUT	01	
15	0503010044	1-1/4" SELF LOCKING NUT	01	
16	0503010001	3.2 X 5.5 RIVET	04	
17	0501010171	BOLT 1 UNC X 3.1/2 C S G.5	02	
18	0531063697	CHASSIS SUPPORT	01	
19	0531063693	CHASSIS	01	
20	0531063704	SKID SUPPORT HEADER SUPPORT	01	
21	0531063699	HEADER SUPPORT	01	
22	0531063703	FRENCH HAND (1137)	01	
23	0591014147	FRENCH HAND GUIDE GLOVE	02	
24	0521055678	SUPPORT 340 WITH ROCATOR DM WITH 4 DEFLECTOR	01	
25	0503034003	SERIAL NUMBER TAG 61 X 118	01	
26	0561015762	FLAT WASHER	01	
27	0511015994	FLAT WASHER	04	
28	0501017779	32 X 60 X 4.75 FLAT WASHER	01	
29	0501014685	PIVOT SHAFT	02	
30	0501010216	3/4 UNC X 4.1/2 C S G.5 ZN BOLT	01	
31	0501010322	FLAT WASHER	09	



ROP2 1500 CM/DM
SEMI-ASSEMBLED CHASSIS DM

Page 2
0531054422

Item	Code	Description	See page	QT
32	0501010536	KEYWAY SQUARE		02
33	0502011377	REEL 190 X 50 PULLEY		01
34	0511043567	ROTARY CUTTERS HUB ASSY	5	01
35	0501067832	DRAWBAR		01



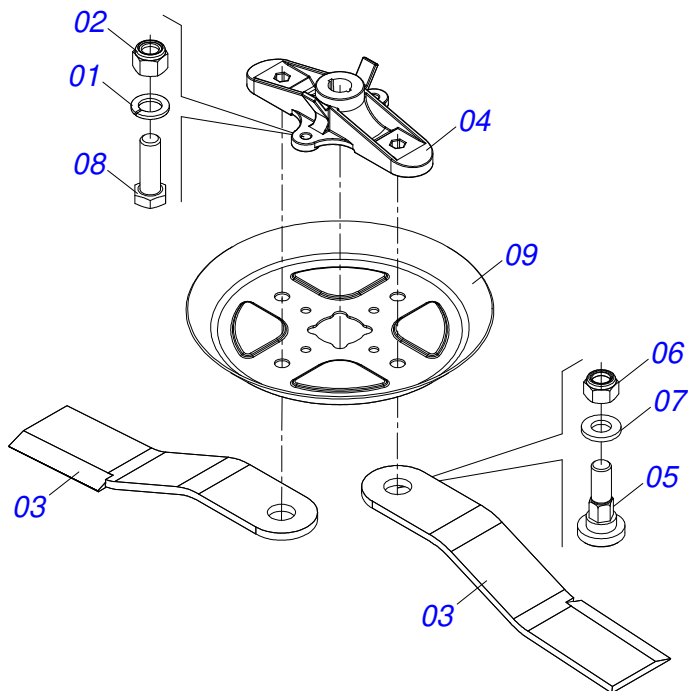
Item	Code	Description	See page	QT
01	0503017867	SCREW 3/4 UNC X 4.1/2 CAPQ G.7 ZN		04
02	0503014249	3/4" X 2-1/2" BOLT		05
03	0503035633	ADHESIVE LABELS		01
04	0503034333	ADHESIVE LABEL		01
05	0503032949	ADHESIVE LABEL		01
06	0503032534	ADHESIVE LABEL		01
07	0503031931	ADHESIVE LABEL		01
08	0503031930	ADHESIVE LABEL		01
09	0503031428	READ MANUAL DECAL		01
10	0503031427	ADHESIVE LABEL		01
11	0503014182	SELF-ADJUSTING NUT		04
12	0503011075	3/4" UNC NUT		10
13	0503010817	1.1/4" SELF LOCKING NUT		01
14	0503010044	1-1/4" SELF LOCKING NUT		01
15	0503010001	3.2 X 5.5 RIVET		04
16	0501010171	BOLT 1 UNC X 3.1/2 C S G.5		02
17	0531063697	CHASSIS SUPPORT		01
18	0531063693	CHASSIS		01
19	0531054493	SUPPORT 340 WITH ROCATOR CM WITH 6 DEFLECTOR		01
20	0531063704	SKID SUPPORT HEADER SUPPORT		01
21	0531063699	HEADER SUPPORT		01
22	0531063703	FRENCH HAND (1137)		01
23	0591014147	FRENCH HAND GUIDE GLOVE		02
24	0503034003	SERIAL NUMBER TAG 61 X 118		01
25	0561015762	FLAT WASHER		01
26	0511015994	FLAT WASHER		04
27	0501017779	32 X 60 X 4.75 FLAT WASHER		01
28	0501014685	PIVOT SHAFT		02
29	0501010216	3/4 UNC X 4.1/2 C S G.5 ZN BOLT		01
30	0501010322	FLAT WASHER		09
31	0501010536	KEYWAY SQUARE		02



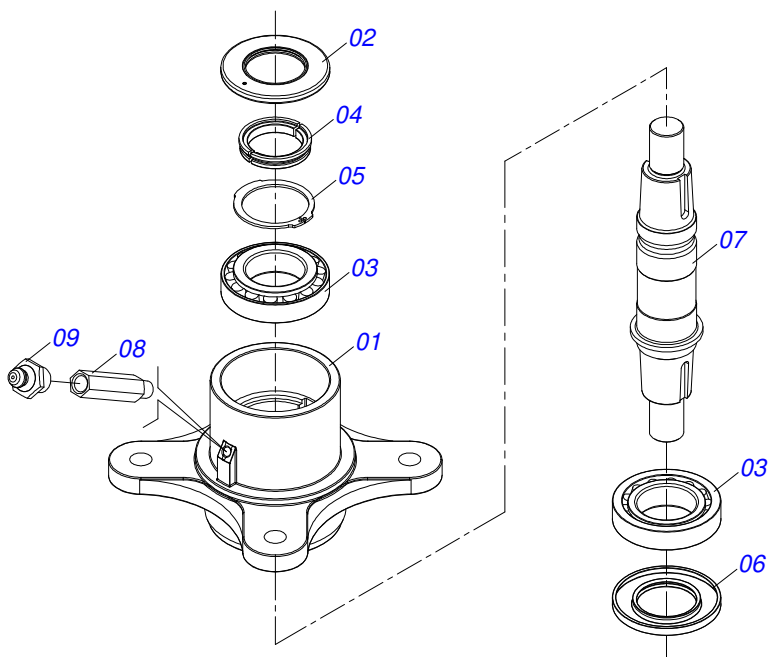
ROP2 1500 CM/DM
SEMI-ASSEMBLED CHASSIS CM

Page 3
0531054472

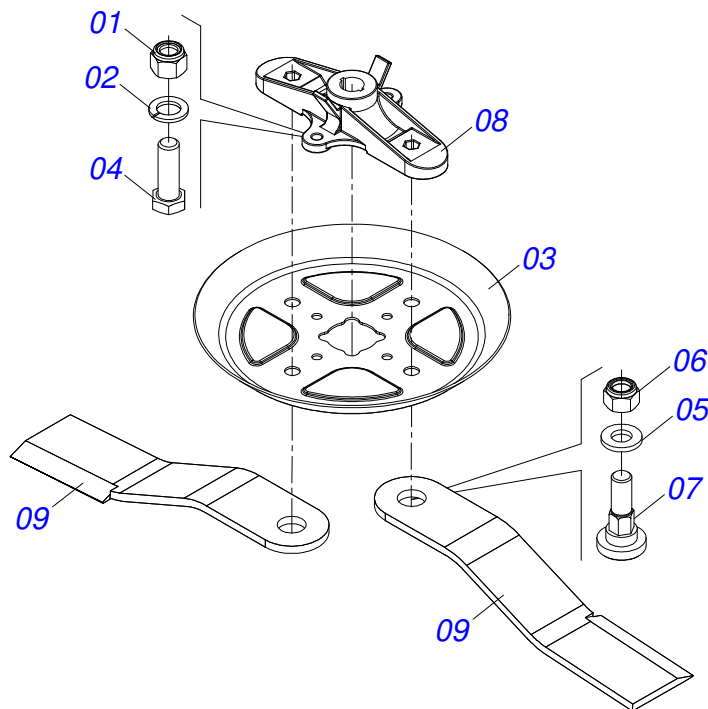
Item	Code	Description	See page	QT
32	0502011377	REEL 190 X 50 PULLEY		01
33	0511043567	ROTARY CUTTERS HUB ASSY	5	01
34	0501067832	DRAWBAR		01



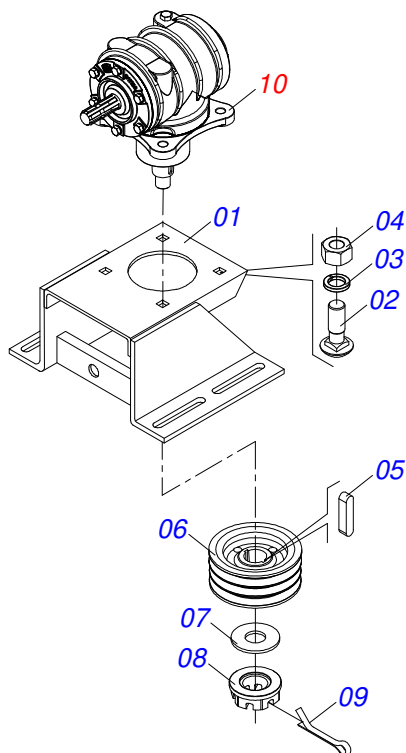
Item	Code	Description	See page	QT
01	0503011442	3/4" SPRING WASHER		02
02	0503010014	3/4" HEX NUT		02
03	0622400054	24.5" X 3.94" X 0.5" ROTARY CUTTER		02
04	0502012275	ROTARY SUPPORT 340		01
05	0541013328	FASTERNER ROCADORES		02
06	0503010063	1" SELF-ALIGNING NUT		02
07	0501016545	FLAT WASHER		02
08	0501010098	3/4" UNC BOLT		02
09	0591010130	SUPPORT DEFLECTOR (340)		01



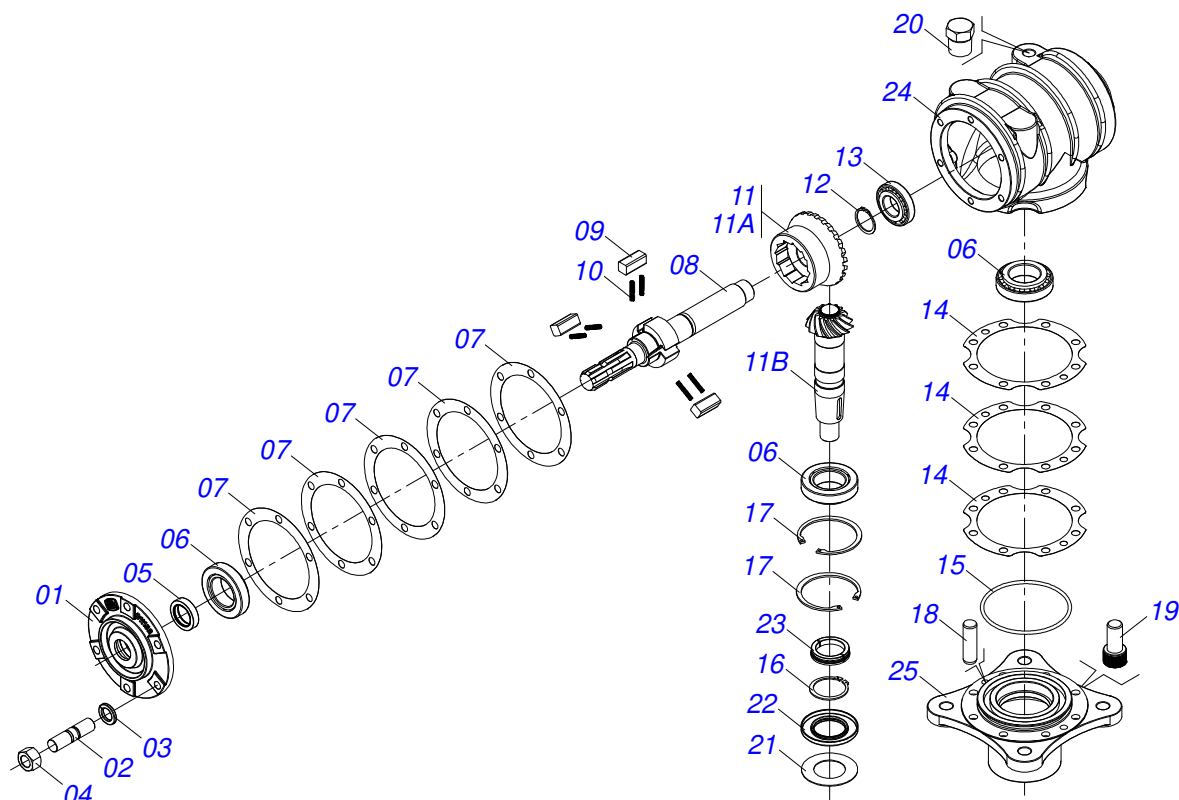
Item	Code	Description	See page	QT
01	0502012294	DROP HUB		01
02	0503013201	ARCA 6016 BRG SEAL		01
03	0503012418	32211 ROLLER BEARING		02
04	0541014445	LOCK RING		01
05	0503012311	501065 RENO RING		01
06	0503013211	6016 BRG SEAL		01
07	0541014095	ROTARY CUTTERS SMALLER AXLE		01
08	0501019757	EXTENSION GREASE FITTING		01
09	0503010002	1800 GREASE FITTING		01



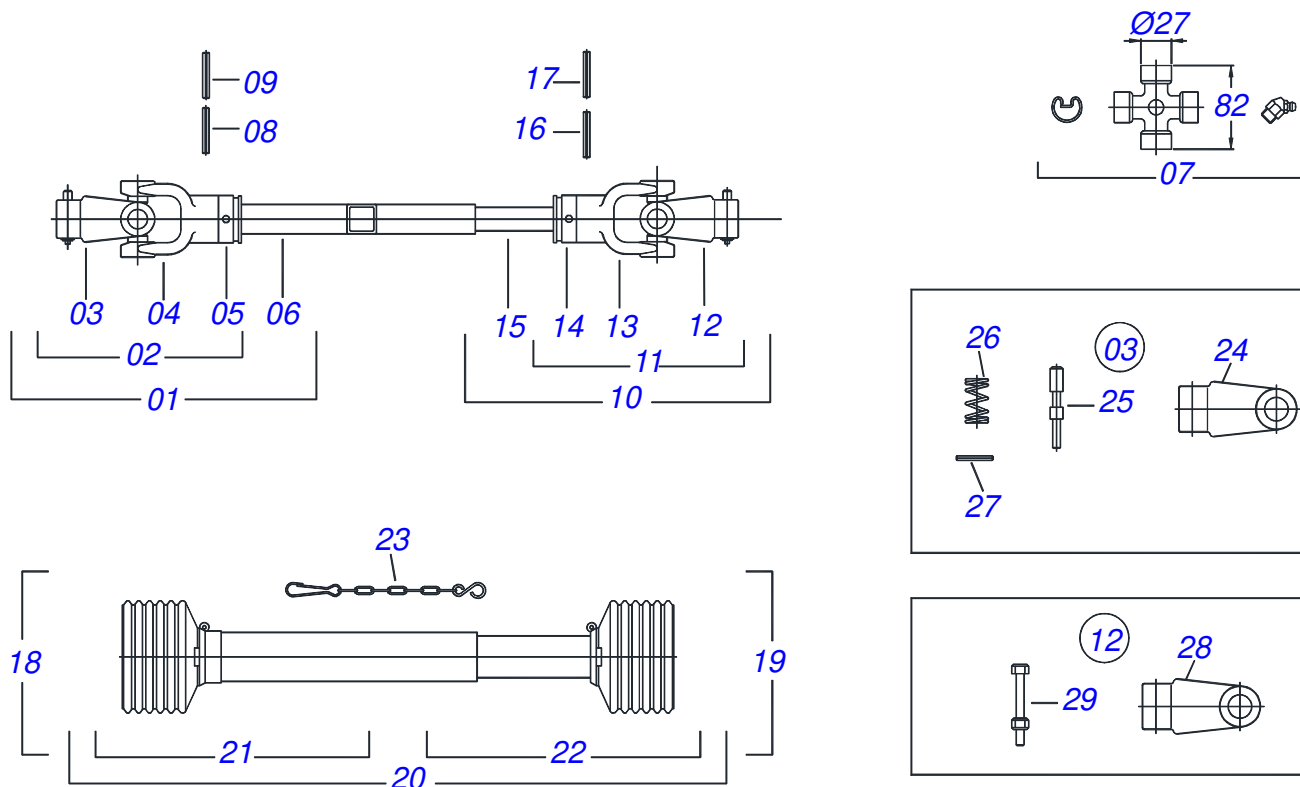
Item	Code	Description	See page	QT
01	0503010014	3/4" HEX NUT		02
02	0503011442	3/4" SPRING WASHER		02
03	0591010130	SUPPORT DEFLECTOR (340)		01
04	0501010098	3/4" UNC BOLT		02
05	0501016545	FLAT WASHER		02
06	0503010063	1" SELF-ALIGNING NUT		02
07	0541013328	FASTERNER ROCADORES		02
08	0502012275	ROTARY SUPPORT 340		01
09	0622340055	ROTARY CUTTER		02



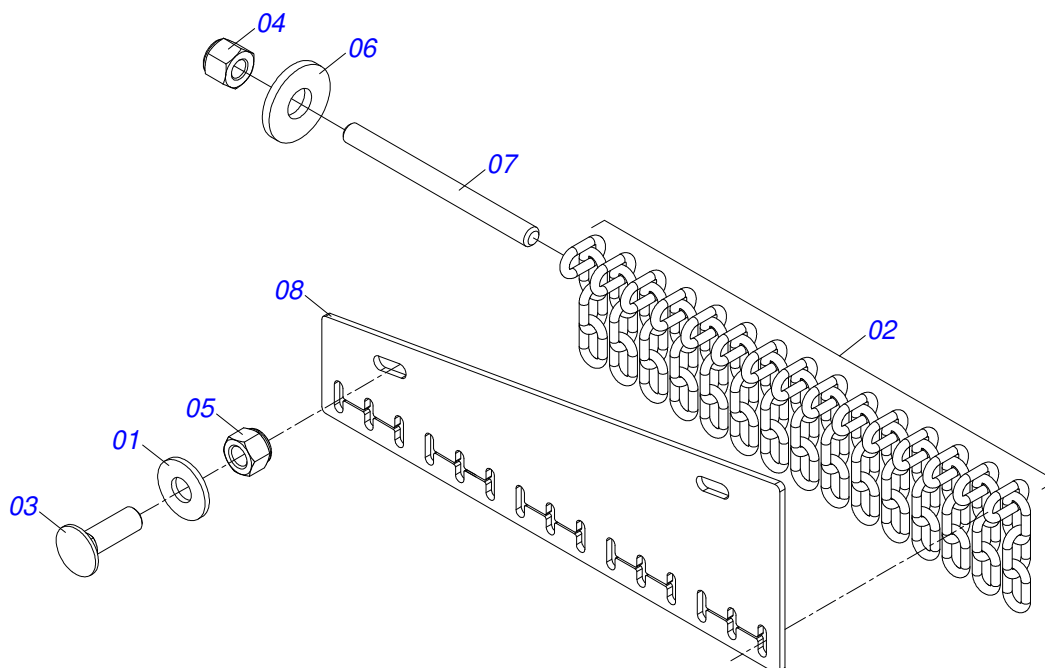
Item	Code	Description	See page	QT
01	0501067831	MULTIPLIER SUPPORT		01
02	0501017305	3/4" X 2-1/4" BOLT		04
03	0503011442	3/4" SPRING WASHER		04
04	0503010014	3/4" HEX NUT		04
05	0501010536	KEYWAY SQUARE		02
06	0502011377	REEL 190 X 50 PULLEY		01
07	0561015762	FLAT WASHER		01
08	0503011052	1.1/4" X 0.77" CASTLE NUT		01
09	0503010131	3/16" X 1-1/2" COTTERPIN		01
10	0501046851	MULTIPLIER	8	01



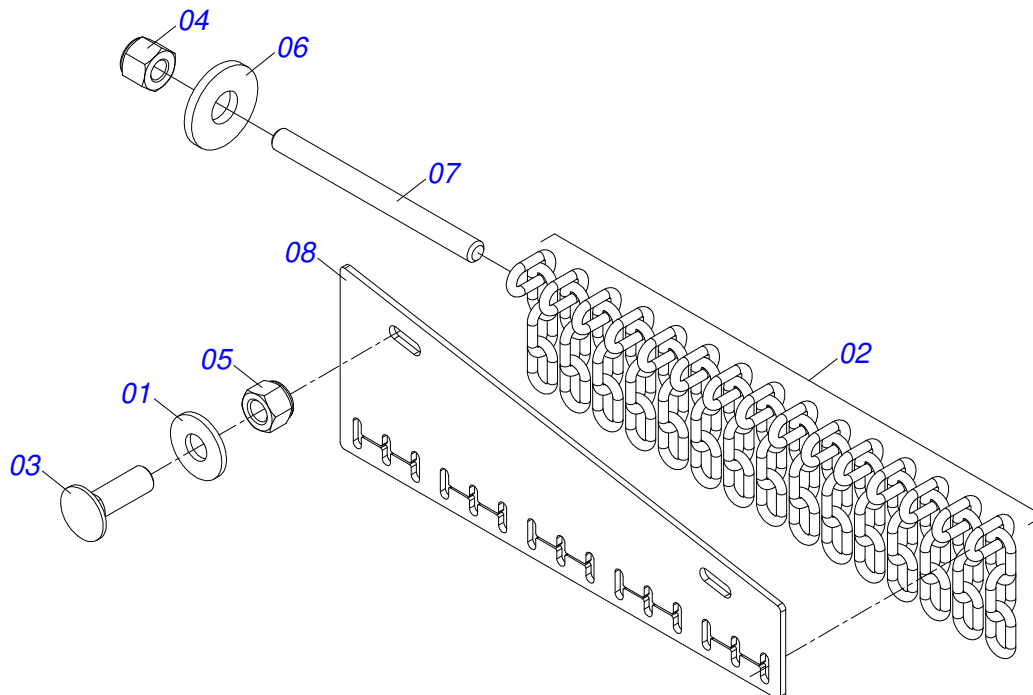
Item	Code	Description	See page	QT
01	0502011152	SMALLER COVER		01
02	0503030084	1/2" X 1/2" X 2.0" STUD		06
03	0503011440	SPRING WASHER		06
04	0503010028	1/2" NUT		06
05	0503011171	00912-BRG SEAL		01
06	0503010006	32210 ROLLER BEARING		03
07	0503030783	7.1" X 5.3" X 0.008" JOINT		05
08	0503050063	UPPER AXLE		01
09	0501010649	RATCHET CLICK		03
10	0503030051	0.2" X 1" X 0.1" COMPRESSION SPRING		06
11	0503060210	CROWN PINION SET		01
11A	0503050074	25Z CONICAL GEAR		01
11B	0503061048	PINION		01
12	0503010217	501040 CLAMPING RING (FOR AXLE)		01
13	0503010037	30207 ROLLER BEARING		01
14	0503030785	7.9" X 5.9" X 0.008" JOINT		03
15	0503010286	2-355 N 3006-9B O'RING		01
16	0503010396	501060 CLAMPING RING (FOR AXLE)		01
17	0503011190	SEAL RING		02
18	0503017877	PIN GUIDE		02
19	0503010562	1/2" X 1" BOLT		08
20	0503031604	1/2" BSP PLUG		01
21	0521018064	FLAT WASHER		01
22	0503011047	5089 SEAL		01
23	0511010142	LOCK RING		01
24	0502010984	LEFT MULTIPLIER BOX		01
25	0502011393	LOWER HUB		01



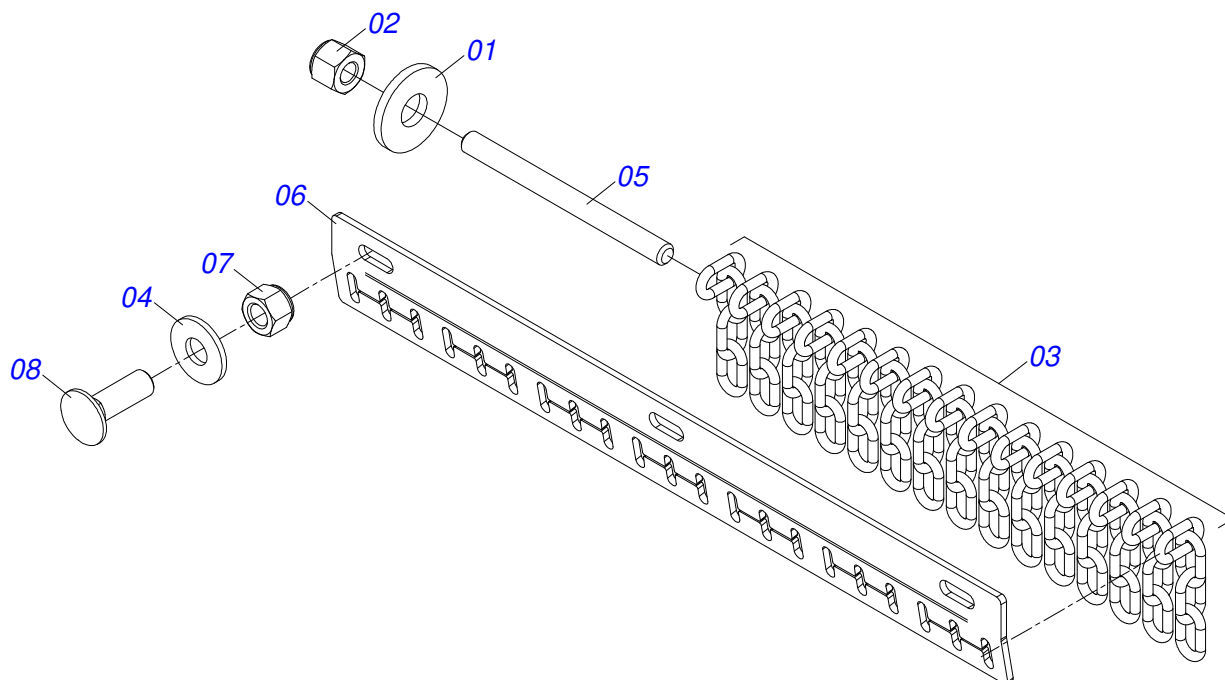
Item	Code	Description	See page
01	0501050271	UNIVERSAL JOINT WITH SLEEVE	01
02	0501050265	UNIVERSAL JOINT	01
03	0501050333	1-40 TERMINAL WITH HITCH	01
04	0502010565	2-40 TERMINAL W/ SH 1.5"/1.5"	01
05	0503012069	ADAPTER FOR BUSHING PROTECT	01
06	0501017429	31" X 1.5" SQUARE SLEEVE	01
07	0503010836	CARDAN CROSSPIECE	01
08	0503011069	0.4" X 2.8" SPRING PIN	01
09	0503010510	0.2" X 2.6" SPRING PIN	01
10	0501050866	UNIVERSAL JOINT WITH SHAFT	01
11	0501050449	UNIVERSAL JOINT	01
12	0501052526	T8-40 TERMINAL WITH SCREW	01
13	0502010566	3-40 TERMINAL WITH SH 1.2"/1.2"	01
14	0503012070	ADAPTER FOR AXLE PROTECTION	01
15	0501017425	1.2" X 31.5" SQUARE SHAFT	01
16	0503010361	SPRING PIN	01
17	0503010756	0.2" X 2.4" SPRING PIN	01
18	0501051696	UNIVERSAL JOINT WITH SLEEVE PROTECTION	01
19	0501051697	UNIVERSAL JOINT WITH AXLE PROTECTION	01
20	0503012071	PROTECTION ASSY	01
21	0503012072	PROTECTION FOR UNIV JOINT AND SLEEV	01
22	0503012073	PLASTIC PROTECTION FOR AXLE JOINT	01
23	0503012023	CHAIN FOR PROTECTION	02
24	0502010563	1-40 STRIATED 1.3/8" TERMINAL	01
25	0521010638	0.5" X 3.3" QUIC HITCH COUPL SHAFT	01
26	0503030518	0.5"X1.0"X 0.1" COMPRESSION SPRING	01
27	0503010838	0.1" X 0.8" SPRING PIN	01
28	0502010876	8-40 STRIATED 1.3/8 TERMINAL	01
29	0501047756	1/2" X 3" SET PARTS	01



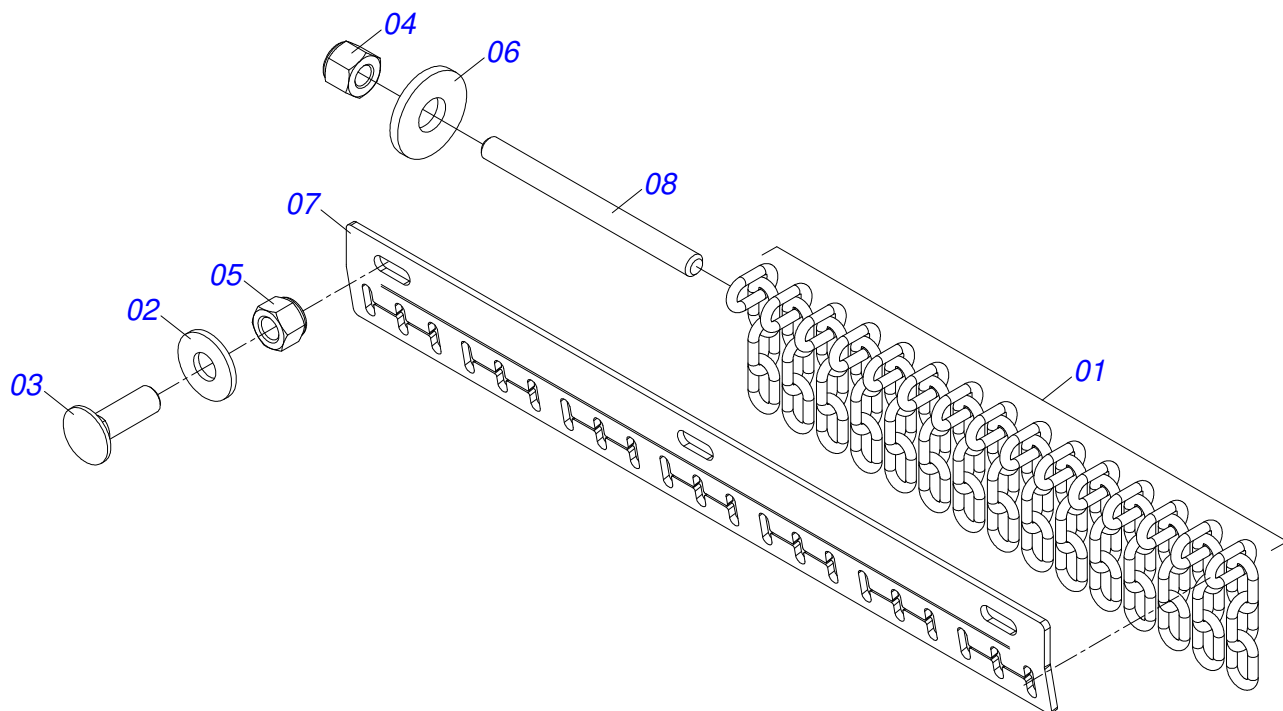
Item	Code	Description	See page	QT
01	0511017302	FLAT WASHER 13,50 X 32,50 X 3,0 ZN		02
02	0511011774	8,00 CHAIN 4 LINK		15
03	0503014378	1/2" X 1-1/2" BOLT		02
04	0503013759	NUT		02
05	0503010589	1/2" UNC SELF ADJUSTING NUT		02
06	0501010984	FLAT WASHER 10,50 X 27 X 3,00 ZN		02
07	0501213189	CHAIN PROTECTION ROD		01
08	0501213185	REAR SIDE CHAIN PROTECTION BODY		01



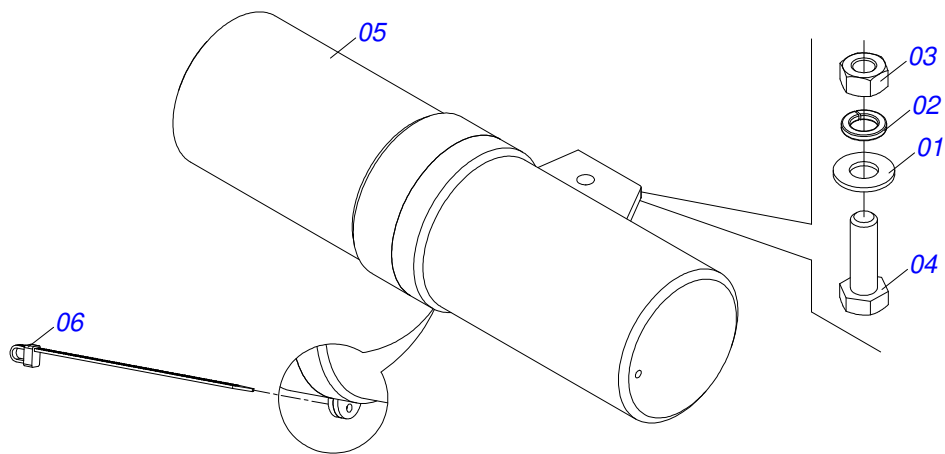
Item	Code	Description	See page	QT
01	0511017302	FLAT WASHER 13,50 X 32,50 X 3,0 ZN		02
02	0511011774	8,00 CHAIN 4 LINK		15
03	0503014378	1/2" X 1-1/2" BOLT		02
04	0503013759	NUT		02
05	0503010589	1/2" UNC SELF ADJUSTING NUT		02
06	0501010984	FLAT WASHER 10,50 X 27 X 3,00 ZN		02
07	0501213189	CHAIN PROTECTION ROD		01
08	0501213185	REAR SIDE CHAIN PROTECTION BODY		01



Item	Code	Description	See page	QT
01	0501010984	FLAT WASHER 10,50 X 27 X 3,00 ZN		02
02	0503013759	NUT		02
03	0511011774	8,00 CHAIN 4 LINK		21
04	0511017302	FLAT WASHER 13,50 X 32,50 X 3,0 ZN		03
05	0591014181	CURRENT PROTECTION BAR		01
06	0501213184	REAR CHAIN PROTECTION BODY		01
07	0503010589	1/2" UNC SELF ADJUSTING NUT		03
08	0503014378	1/2" X 1-1/2" BOLT		03



Item	Code	Description	See page	QT
01	0511011774	8,00 CHAIN 4 LINK		21
02	0511017302	FLAT WASHER 13,50 X 32,50 X 3,0 ZN		03
03	0503014378	1/2" X 1-1/2" BOLT		03
04	0503013759	NUT		02
05	0503010589	1/2" UNC SELF ADJUSTING NUT		03
06	0501010984	FLAT WASHER 10,50 X 27 X 3,00 ZN		02
07	0501213183	FRONT CHAIN PROTECTION BODY		01
08	0591014181	CURRENT PROTECTION BAR		01

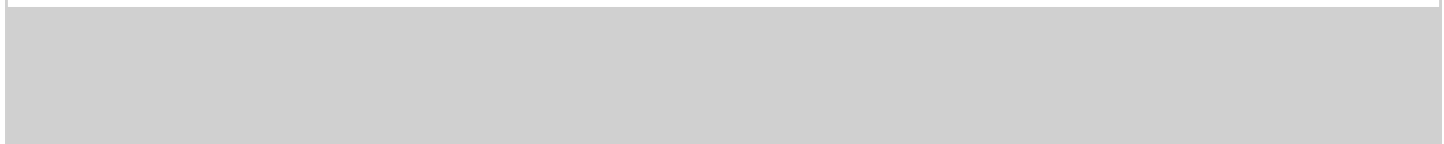


Item	Code	Description	See page	QT
01	0501010694	FLAT WASHER		01
02	0503010179	LOCK WASHER 5/16 ZN 1K01528		01
03	0503010337	5/16" NUT		01
04	0503010363	BOLT 5/16 UNC X 1 C S G.2 ZN		01
05	0503060100	INSTRUCTIONS MANUAL CANISTER		01
06	0503010267	NYLON CLAMP		01



ANNOTATION

A series of horizontal lines for writing, spaced evenly down the page.





MARCHESAN

Technical Publications | Elaboration and Revision

LUIZ CANDIDO

www.marchesan.com.br

