

**PCA T / PCA PLUS - AGRICULTURAL FRONT LOADER**

# **PCA PLUS 1750 NEW HOLLAND 7630 BT CDC**

**Code:** 0501093451  
**Series:** S-1118  
**Revision:** 00  
**Date Revision:** NOVEMBRO/2022

# **PARTS CATALOGUE**



**MARCHESAN**



# PRODUCTS

Code	Description
0106110949	PCA PLUS 1750 NH 7630 BT CDC JS S/AC S-1118

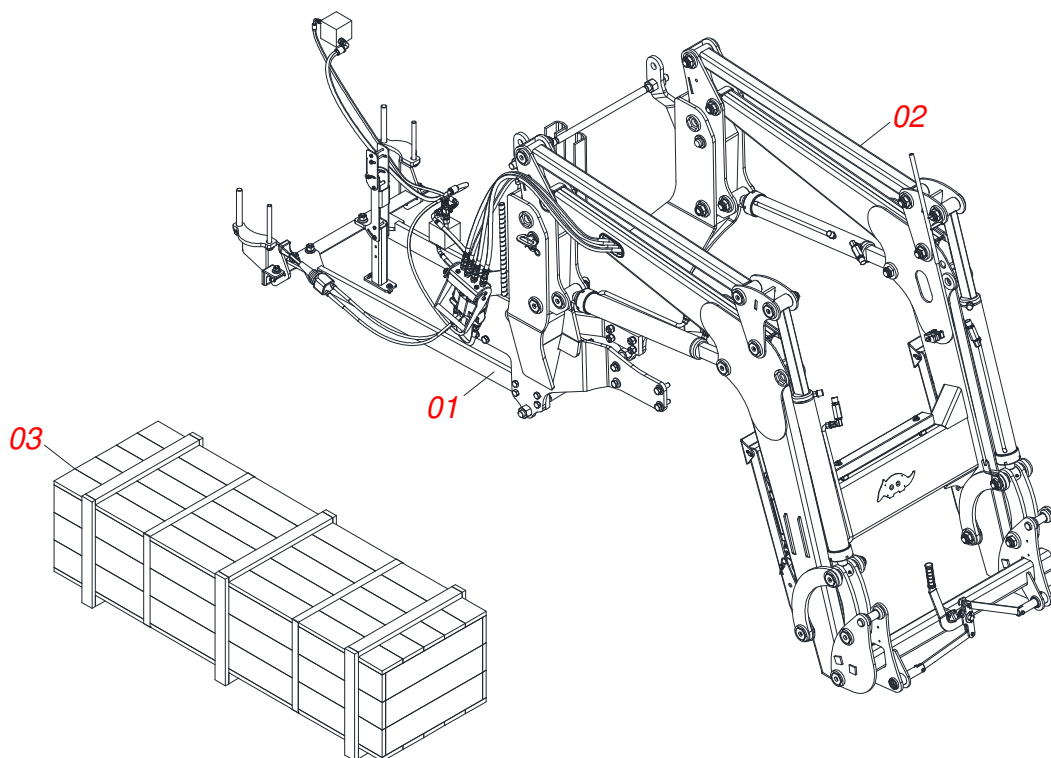
## ATTENTION: IMPORTANT

Marchesan S.A. reserves the right to improve and/or modify the technical features of its products, without obligation to do the same with those products already sold and without prior knowledge of the dealer or the consumer. The photos are only illustrative.

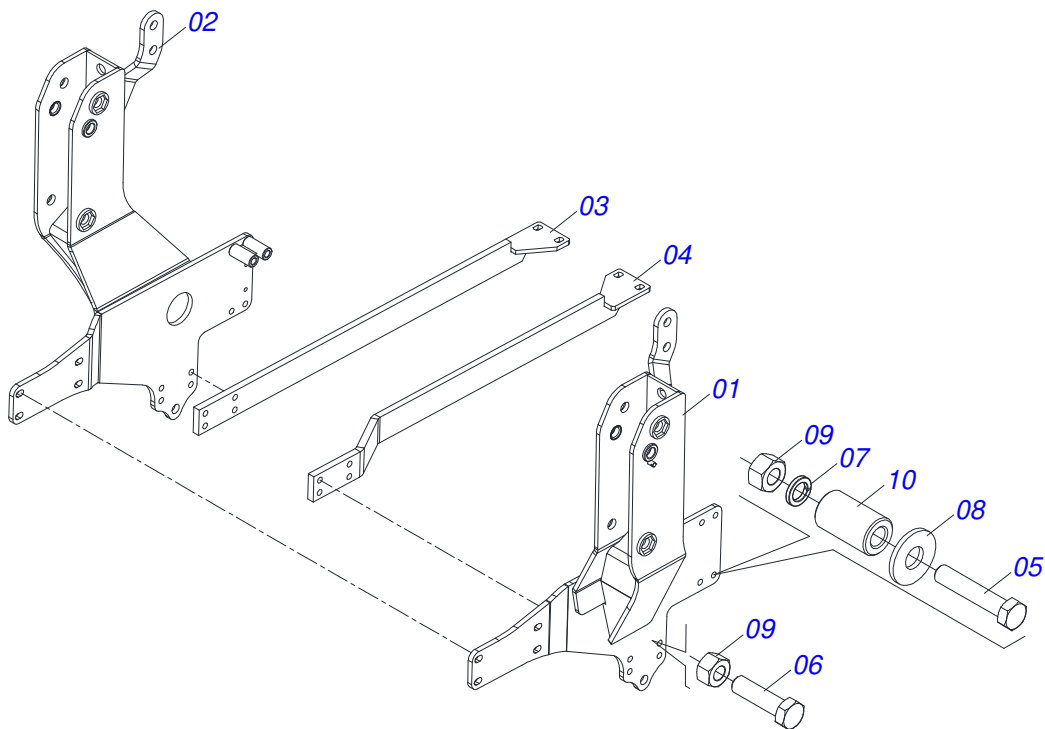


# INDEX

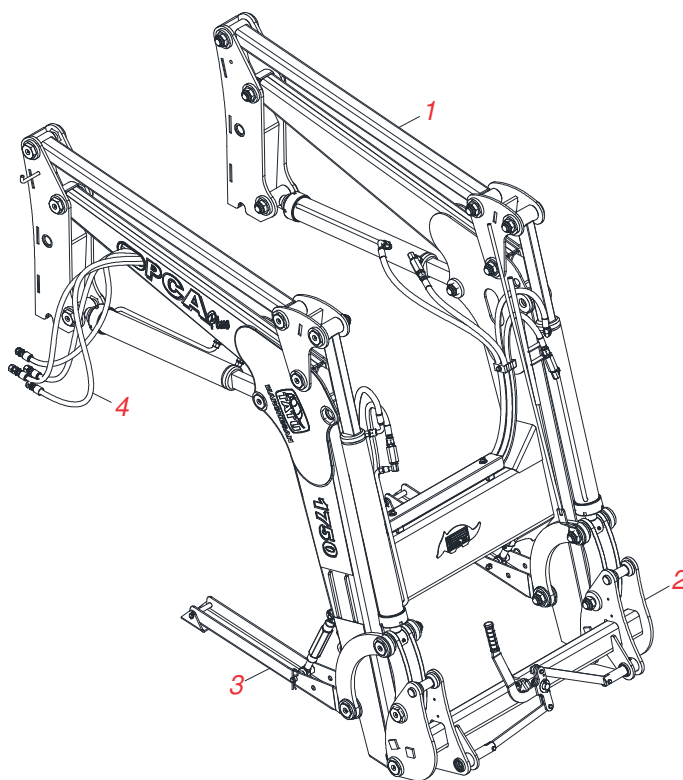
0106110949	PCA PLUS 1750 NH 7630 BT CDC JS S/AC S-1118	.....	1
0521048820	FRAME ASSEMBLY WITH REAR BAR	.....	2
0521047905	MOBILE SUPPORT ASSY	.....	3
0909095439	MOBILE SUPPORT / TOWER	.....	4
0909095436	ARTICULATION	.....	5
0909095400	PLOUGH SET	.....	6
0909095437	HIDRAULIC SYSTEM OF THE MOBILLE SUPPORT	.....	7
0511057771	R.7/8UNF - SAFETY VALVE	.....	8
0521052505	LH HYDRAULIC CYLINDER	.....	9
0521052501	LEFT HYDRAULIC CYLINDER	.....	10
0521052500	RH HYDRAULIC CYLINDER	.....	11
0521052504	RH HYDRAULIC CYLINDER	.....	12
0521025255	BOX WITH COMPONENTS	.....	13
0521045393	SET SUPPORT JOY STICK	.....	14
0521047931	COMMAND 1/2	.....	15
0501053834	MALE QUICK COUPLER	.....	16
0511043351	1.1/4" X 40" ROD	.....	17
0521047554	ROD 1.1 / 4 NC 760 X 4 ASSY WITH NUT	.....	18
0511033455	PACKED PARTS	.....	19
0501053835	FEMALE QUICK COUPLER	.....	20



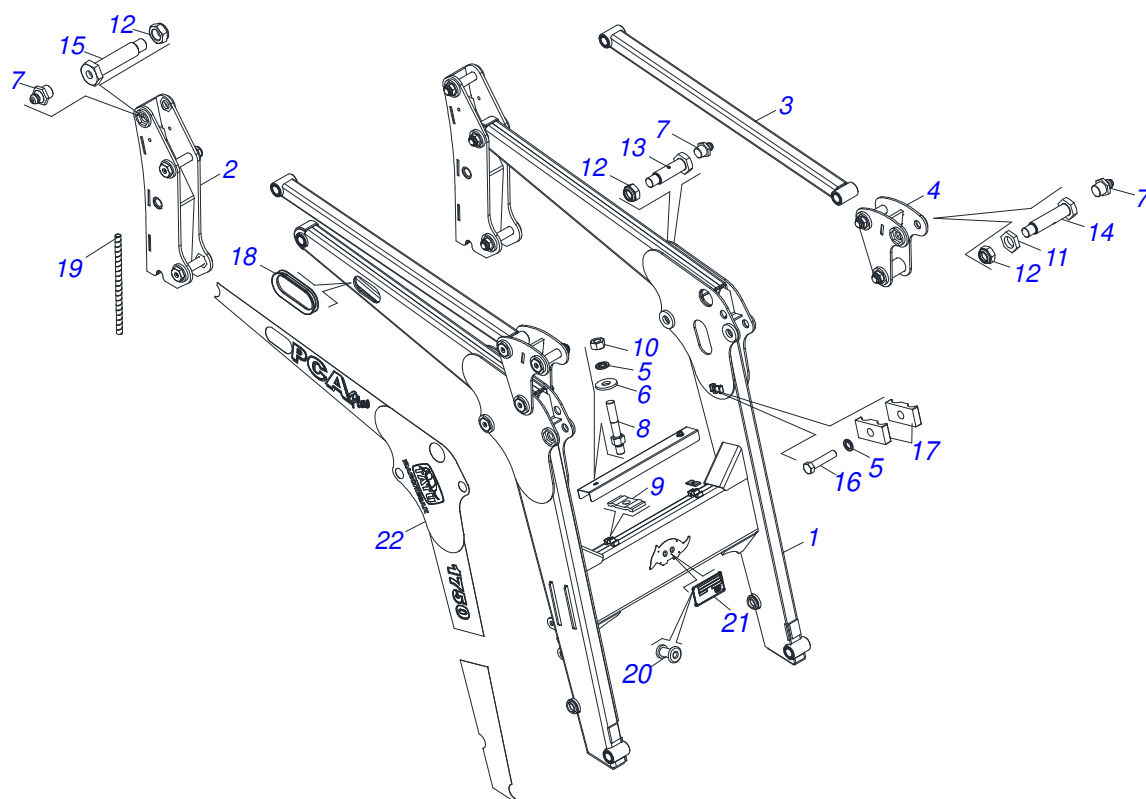
Item	Code	Description	See page	QT
01	0521048820	FRAME ASSEMBLY WITH REAR BAR	2	01
02	0521047905	MOBILE SUPPORT ASSY	3	01
03	0521025255	BOX WITH COMPONENTS	13	01



Item	Code	Description	See page	QT
01	0521069479	LEFT FRAME		01
02	0521069480	RIGHT FRAME		01
03	0521068054	RIGHT REAR BAR		01
04	0521068053	LEFT REAR BAR		01
05	0503011084	3/4" X 5" BOLT		04
06	0501010500	3/4"X3"BOLT		02
07	0503010023	3/4" SPRING WASHER		04
08	0501010322	FLAT WASHER		04
09	0503010014	3/4" HEX NUT		06
10	0581015170	SLEEVE		04

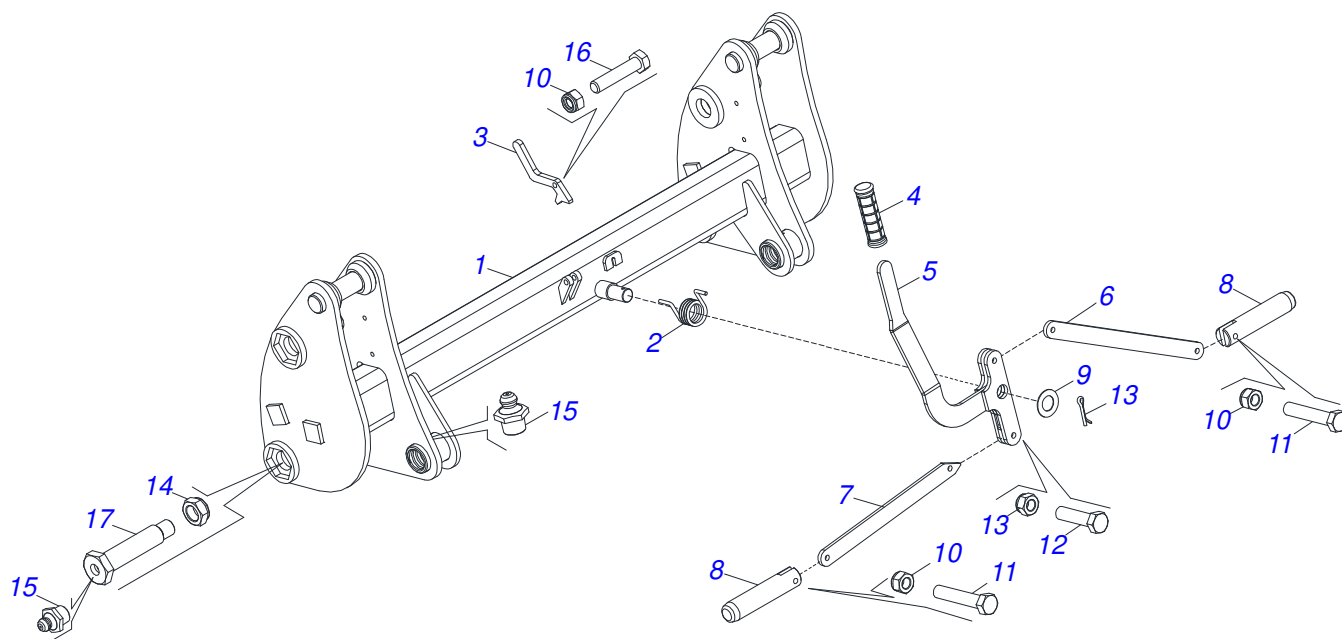


Item	Code	Description	See page	QT
01	0909095439	MOBILE SUPPORT / TOWER	4	01
02	0909095436	ARTICULATION	5	01
03	0909095400	PLOUGH SET	6	01
04	0909095437	HIDRAULIC SYSTEM OF THE MOBILLE SUPPORT	7	01



Item	Code	Description	See page	QT
01	0521068511	MOBILE SUPPORT		01
02	0521068535	TOWER		02
03	0521068512	STABILIZER ARM		02
04	0521068519	UPPER ARTICULATION		02
05	0503010180	7/16" SPRING WASHER		05
06	0501012803	FLAT WASHER		02
07	0503010002	1800 GREASE FITTING		09
08	0581014286	PRISONER		02
09	0531011180	UPPER BODY CLIP		02
10	0503010244	7/16" NUT		02
11	0581010243	WASHER HEX		16
12	0503010044	1-1/4" SELF LOCKING NUT		22
13	0581016852	BOLT		04
14	0571018245	1.1/4" UNF X 139 BOLT		06
15	0581016851	BOLT		10
16	0503012555	SCREW 7/16 UNC X 2 CS RT G.7 ZN		03
17	0502010477	HOSE CLAMP		04
18	0503035468	HOSE PROTECTION		02
19	0581011170	HOSE PLASTIC PROTECTION SPRING		01
20	0503010001	3.2 X 5.5 RIVET		04
21	0503034003	SERIAL NUMBER TAG 61 X 118		01
22	0503062770	SET LABEL ADHESIVE		01

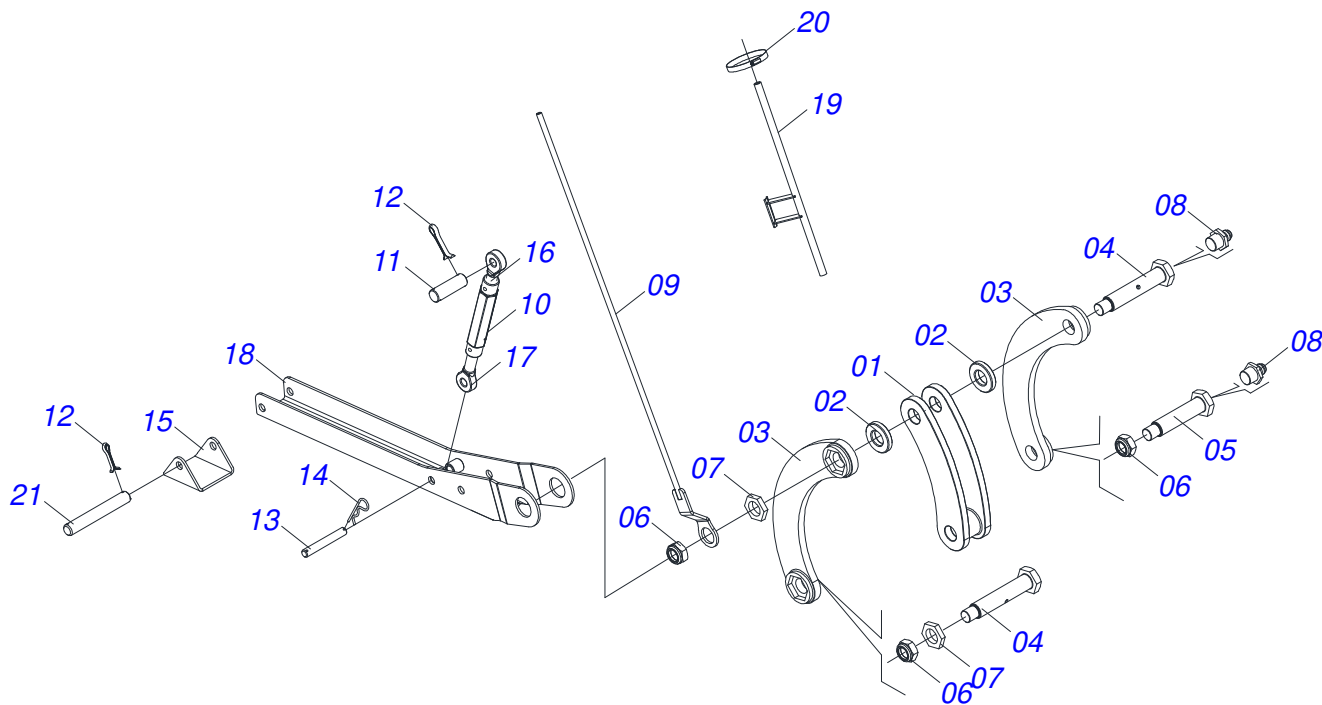
ARTICULATION



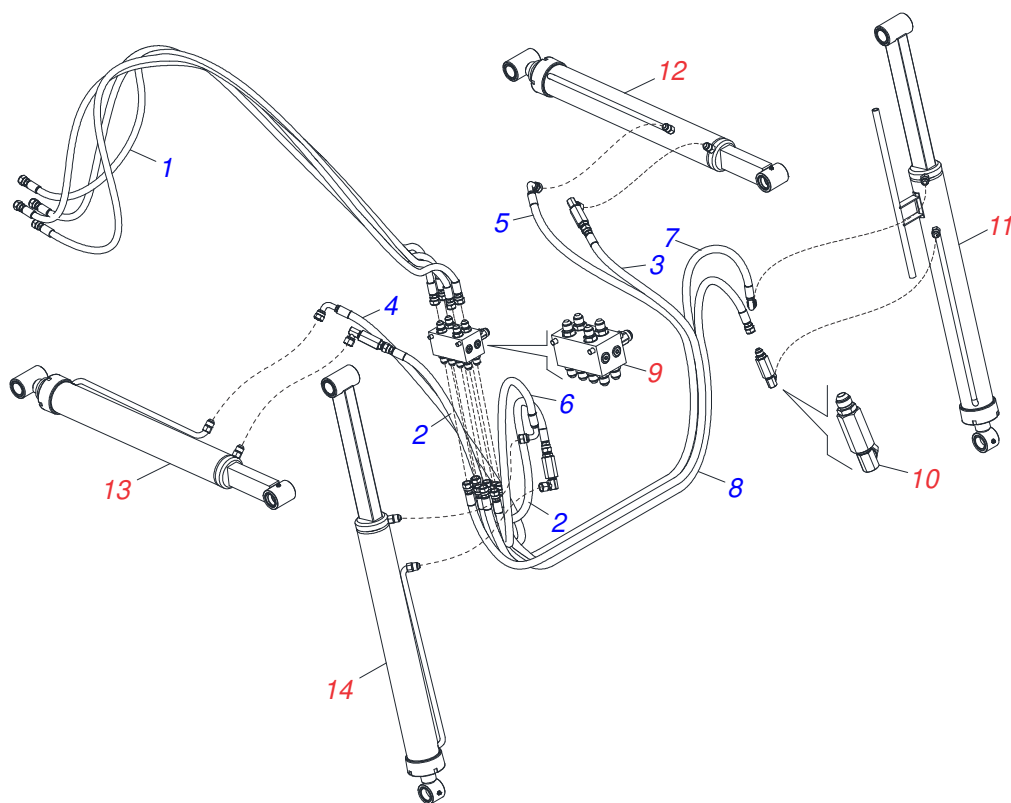
Item	Code	Description	See page	QT
01	0521068625	ARTICULATION		01
02	0503034192	TORSION SPRING		01
03	0571018934	PENDULUM LOCKS		01
04	0503037382	Ø25 X 120 PVC HANDLE		01
05	0521065888	LEVER		01
06	0571018935	SPRING SUPPORT ARM		01
07	0571018125	RIGHT ARM OF THE UNLOCK		01
08	0571018129	PIN LOCK ACCESSORY		02
09	0561811883	28,5 X 51,5 X 1,50 SA FLAT WASHER		01
10	0503013357	3/8" SELF-ADJUSTING NUT		05
11	0503011236	3/8" X 2" BOLT		02
12	0503010849	3/8" X 1-1/2" BOLT		02
13	0503010523	1/4" X 2" COTTERPIN		01
14	0503010044	1-1/4" SELF LOCKING NUT		02
15	0503010002	1800 GREASE FITTING		04
16	0501011532	3/8" X 1-3/4" BOLT		01
17	0581016851	BOLT		02



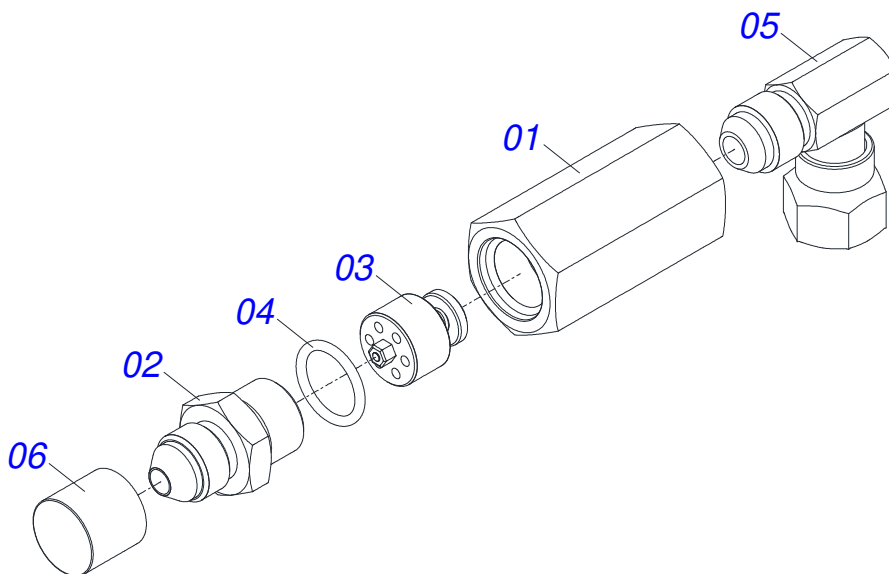
PLOUGH SET



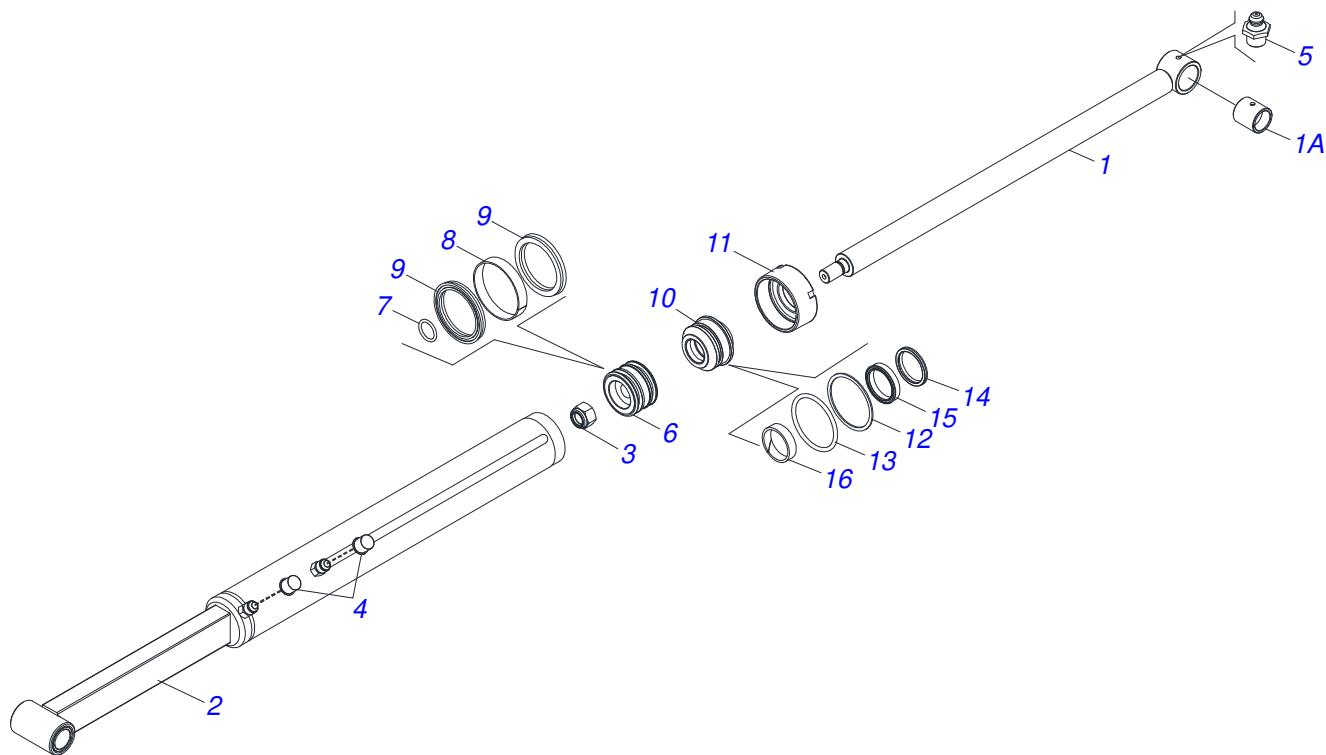
Item	Code	Description	See page	QT
01	0521068483	SMALLER COPY		02
02	0551010951	SLEEVE		04
03	0521068503	COPIER LARGER ARM		04
04	0581016853	BOLT		04
05	0581016851	BOLT		02
06	0503010044	1-1/4" SELF LOCKING NUT		06
07	0581010243	WASHER HEX		08
08	0503010002	1800 GREASE FITTING		06
09	0521068692	LEVEL ROD		01
10	0502012530	REGULATOR NUT BODY R1		02
11	0561015578	3/4 X 56 PCA VTR A750 COUPLING SHAFT		02
12	0503010071	3/16" X 1" COTTERPIN		08
13	0511013598	3/4" X 4.7" COUPLING SHAFT		02
14	0503030012	HITCH PIN CLIP		02
15	0571018252	REST BASE		02
16	0502012562	LEFT SPINDLE R1 X 160		04
17	0502012529	RIGHT SPINDLE R1 X 160		04
18	0521068520	PLOUGH SUPPORT ARM		02
19	0521067968	ROD GUIDE		01
20	0503011372	102 TO 121 CLAMP		01
21	0521012777	COUPLING SHAFT		02



Item	Code	Description	See page	QT
01	0501080828	HOSE		04
02	0501080021	1/2 X 1300 TR-TR HOSE ASSY		02
03	0501082044	HOSE		01
04	0501080059	1/2" X 61" TR-TC HOSE ASSY		01
05	0501081388	1/2 X 2350 TR-TC HOSE		01
06	0501080030	1/2" X 53" TR-TC HOSE ASSY		01
07	0501080618	1/2" X 2200 TR-TC HOSE		01
08	0501080603	HOSE		01
09	0503062416	BLOCK COMMAND		01
10	0511057771	R.7/8UNF - SAFETY VALVE	8	04
11	0521052505	LH HYDRAULIC CYLINDER	9	01
12	0521052501	LEFT HYDRAULIC CYLINDER	10	01
13	0521052500	RH HYDRAULIC CYLINDER	11	01
14	0521052504	RH HYDRAULIC CYLINDER	12	01

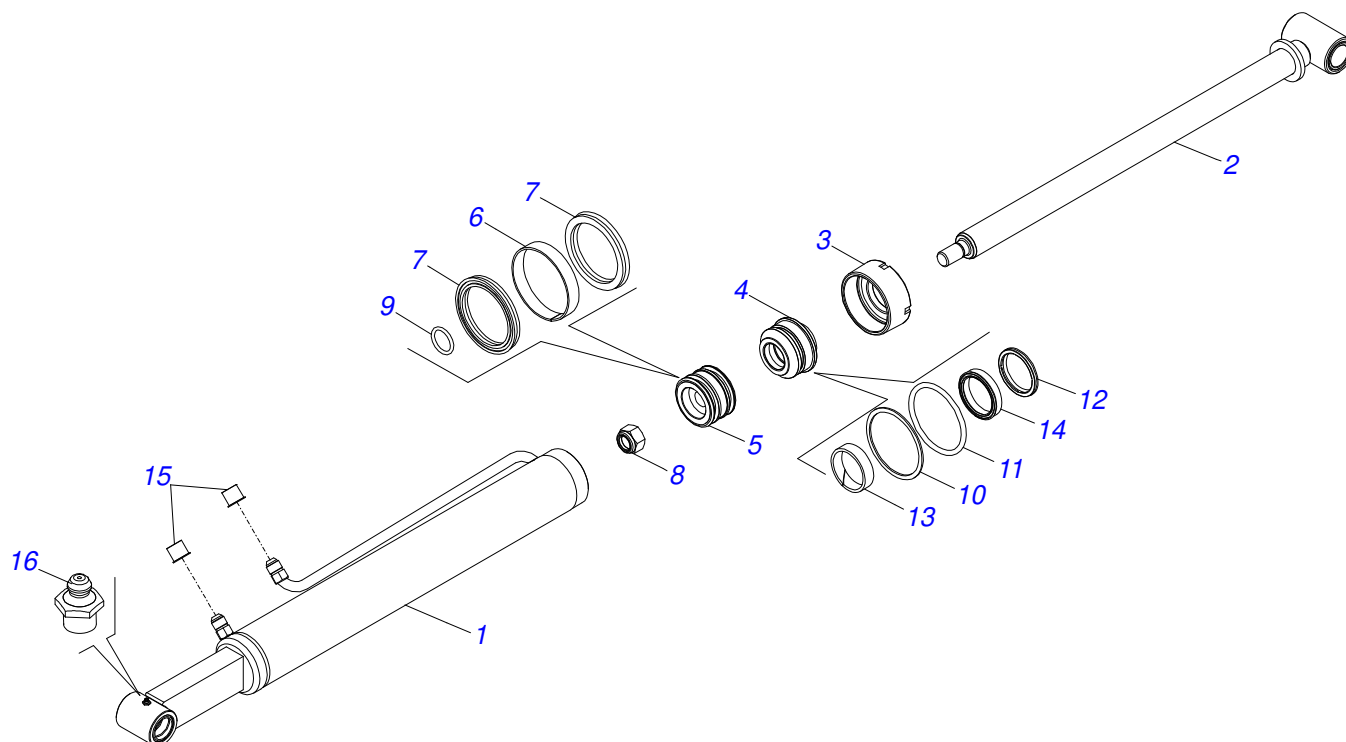


Item	Code	Description	See page	QT
01	0503018033	37 X R.7/8 UNF 90° JIC MALE CONNECTOR WITH ROTATING NUT		01
02	0581014053	1/2 BSP X 7/8 UNF JIC X 64 ADAPTER		01
03	0503016854	VALVE ASSY		01
04	0503010045	O'RING		01
05	0581014052	1/2 BSP X 7/8 UNF JIC X 43 NIPLE		01
06	0503030387	PLUG		01

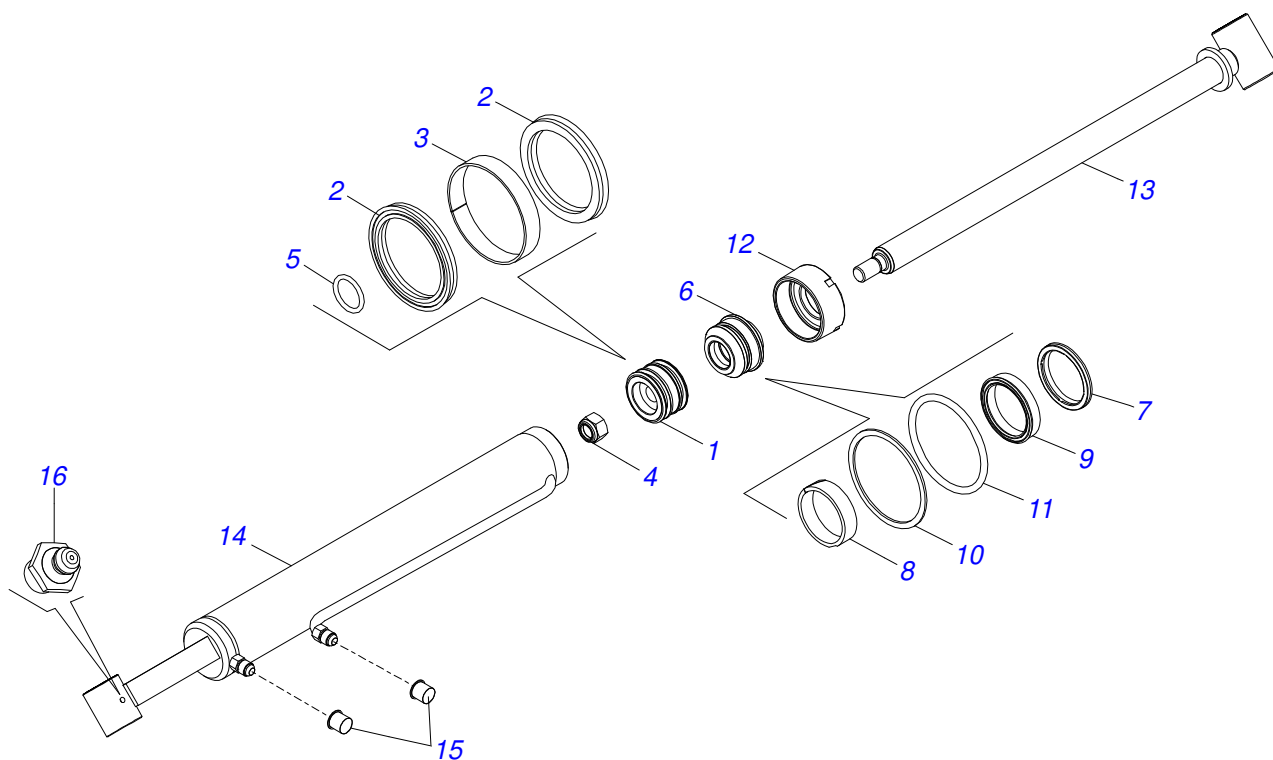


Item	Code	Description	See page	QT
001	0521068628	TURNBUCKLE		01
001A	0501110801	SLEEVE		01
002	0521068532	CASE BODY		01
003	0503010063	1" SELF-ALIGNING NUT		01
004	0503030387	PLUG		02
005	0503010002	1800 GREASE FITTING		01
006	0502010843	1.8" X 3.4" PISTON		01
007	0503010042	2-214 N 3006-9B O'RING		01
008	0503010948	W4-3346-590 PK RING G.E		01
009	0503010170	PACKING 3120 2750		02
010	0502010781	RING SUPPORT		01
011	0502010993	DETACHABLE COVER		01
012	0503011060	8-336 BACK-UP RING		01
013	0503010976	2-336 N 3006-9B O'RING		01
014	0503010761	D-1750 SCRAPER RING		01
015	0503010990	GASKET		01
016	0503010949	W2-2000-500 PK RING G.E		01
017	0511032293	HYDRAULIC CYLINDER REPAIR KIT		01

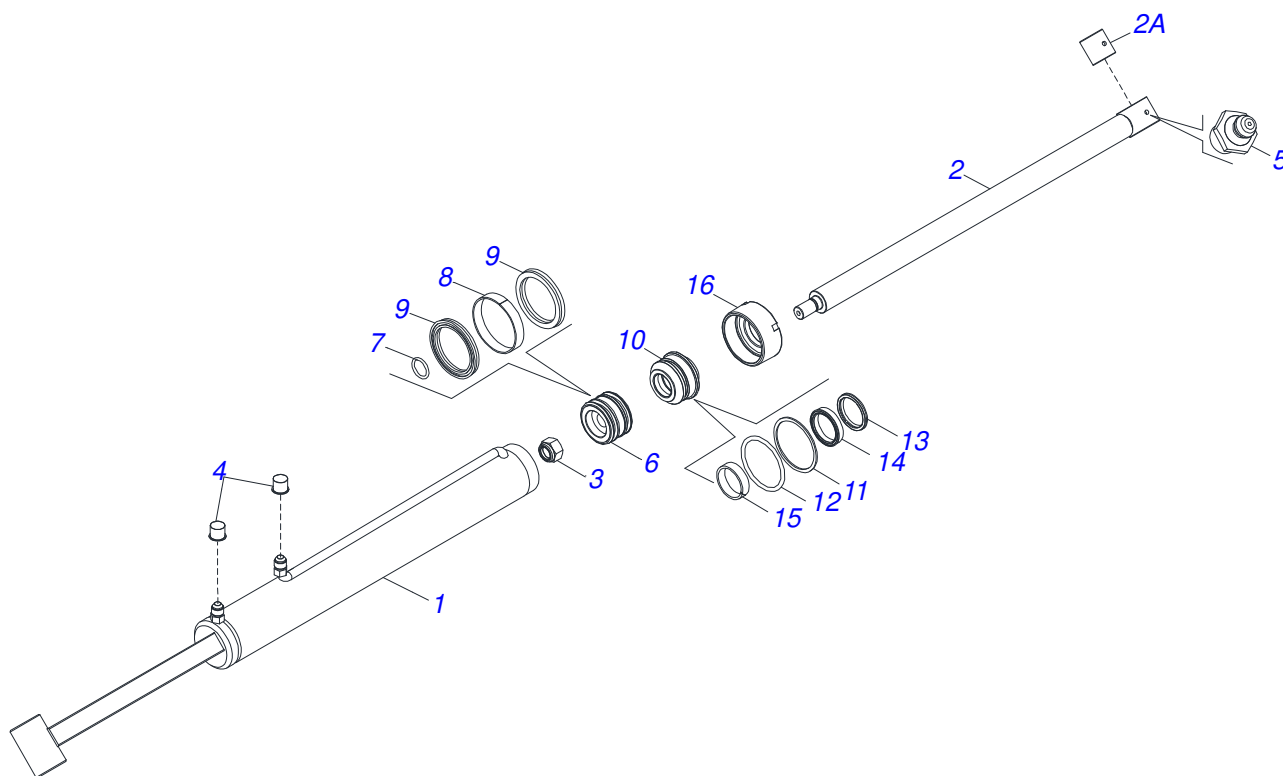
LEFT HYDRAULIC CYLINDER



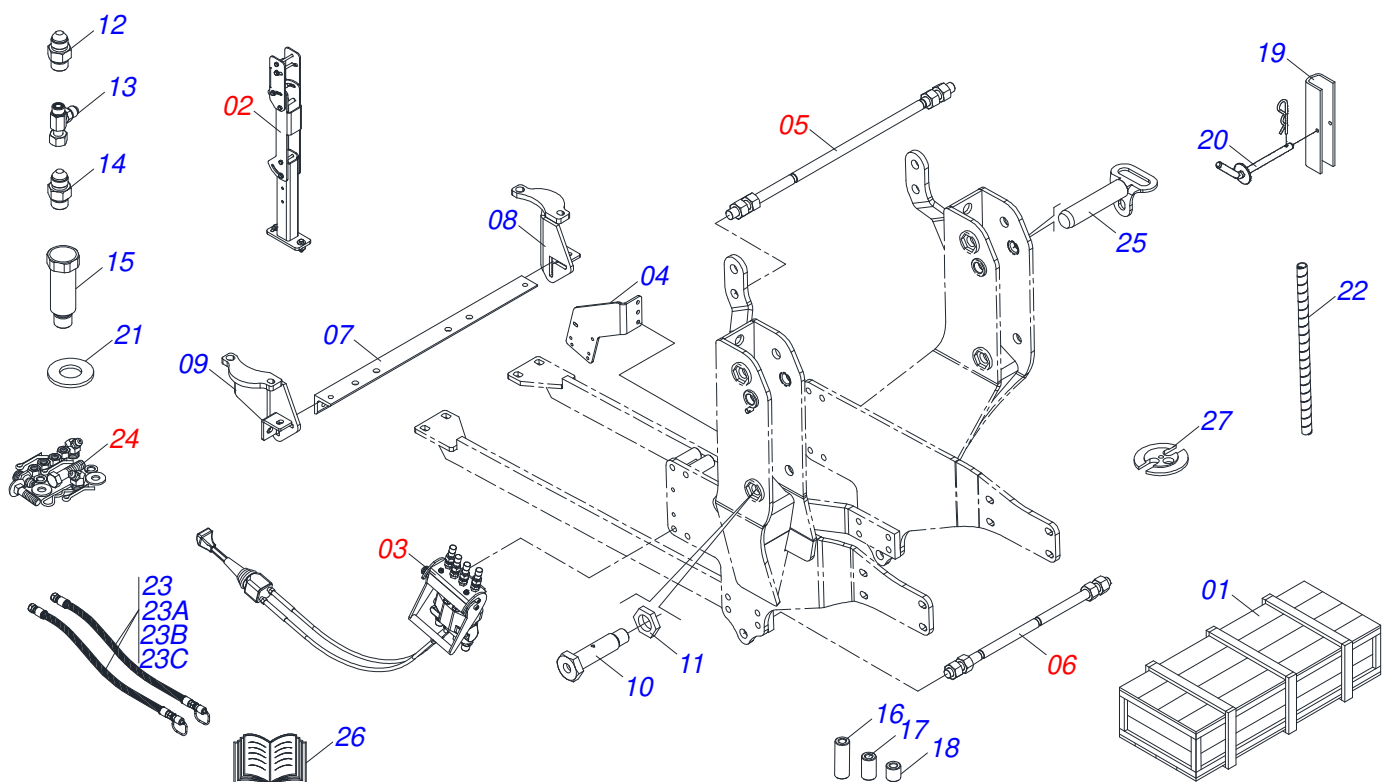
Item	Code	Description	See page	QT
01	0521068636	LH CYLINDER CASE		01
02	0521068627	TURNBUCKLE		01
03	0502010993	DETACHABLE COVER		01
04	0502010781	RING SUPPORT		01
05	0502010843	1.8" X 3.4" PISTON		01
06	0503010948	W4-3346-590 PK RING G.E		01
07	0503010170	PACKING 3120 2750		02
08	0503010063	1" SELF-ALIGNING NUT		01
09	0503010042	2-214 N 3006-9B O'RING		01
10	0503011060	8-336 BACK-UP RING		01
11	0503010976	2-336 N 3006-9B O'RING		01
12	0503010761	D-1750 SCRAPER RING		01
13	0503010949	W2-2000-500 PK RING G.E		01
14	0503010990	GASKET		01
15	0503030387	PLUG		02
16	0503010002	1800 GREASE FITTING		01
17	0501031796	HYDRAULIC CYLINDER REPAIR KIT		01



Item	Code	Description	See page	QT
01	0502010843	1.8" X 3.4" PISTON		01
02	0503010170	PACKING 3120 2750		02
03	0503010948	W4-3346-590 PK RING G.E		01
04	0503010063	1" SELF-ALIGNING NUT		01
05	0503010042	2-214 N 3006-9B O'RING		01
06	0502010781	RING SUPPORT		01
07	0503010761	D-1750 SCRAPER RING		01
08	0503010949	W2-2000-500 PK RING G.E		01
09	0503010990	GASKET		01
10	0503011060	8-336 BACK-UP RING		01
11	0503010976	2-336 N 3006-9B O'RING		01
12	0502010993	DETACHABLE COVER		01
13	0521068627	TURNBUCKLE		01
14	0521068638	RH CYLINDER CASE		01
15	0503030387	PLUG		02
16	0503010002	1800 GREASE FITTING		01
17	0501031796	HYDRAULIC CYLINDER REPAIR KIT		01

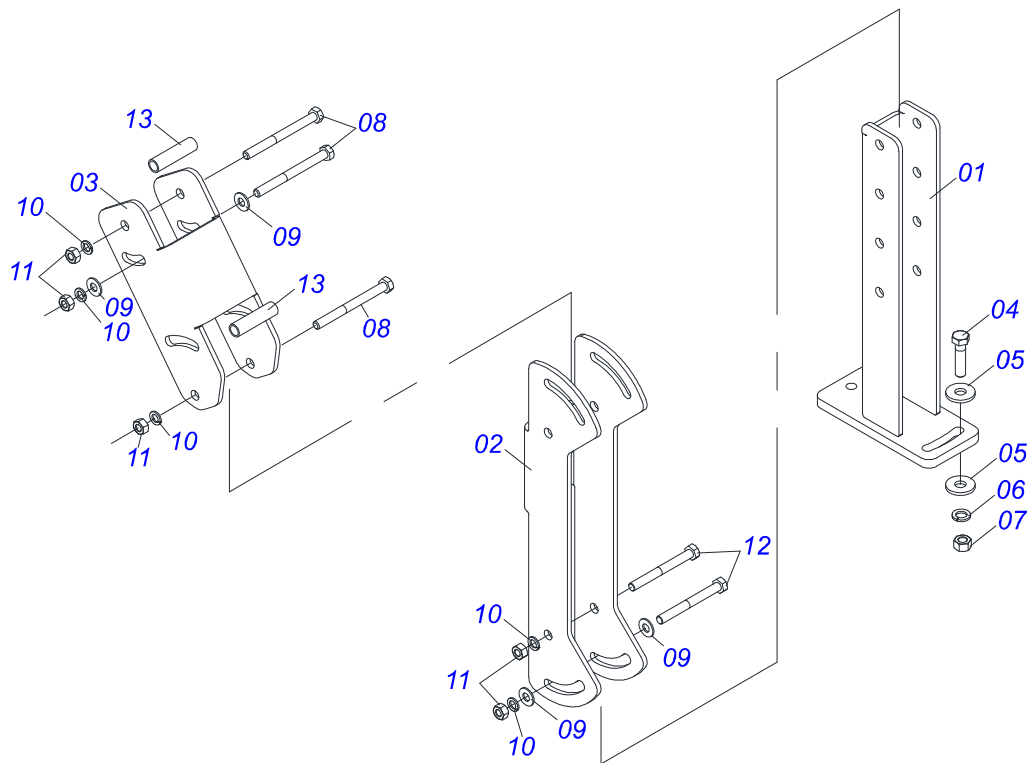


Item	Code	Description	See page	QT
001	0521068529	CASE BODY		01
002	0521068628	TURNBUCKLE		01
002A	0501110801	SLEEVE		01
003	0503010063	1" SELF-ALIGNING NUT		01
004	0503030387	PLUG		02
005	0503010002	1800 GREASE FITTING		01
006	0502010843	1.8" X 3.4" PISTON		01
007	0503010042	2-214 N 3006-9B O'RING		01
008	0503010948	W4-3346-590 PK RING G.E		01
009	0503010170	PACKING 3120 2750		02
010	0502010781	RING SUPPORT		01
011	0503011060	8-336 BACK-UP RING		01
012	0503010976	2-336 N 3006-9B O'RING		01
013	0503010761	D-1750 SCRAPER RING		01
014	0503010990	GASKET		01
015	0503010949	W2-2000-500 PK RING G.E		01
016	0502010993	DETACHABLE COVER		01
017	0511032293	HYDRAULIC CYLINDER REPAIR KIT		01

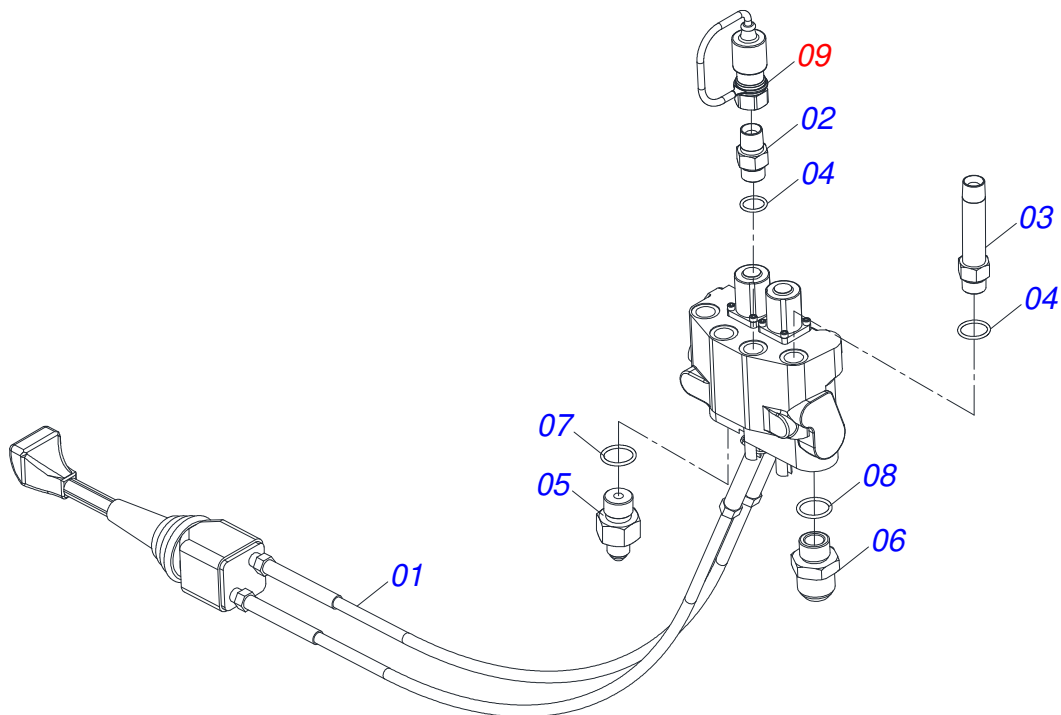


Item	Code	Description	See page	QT
01	0501100029	WOODEN BOX		01
02	0521045393	SET SUPPORT JOY STICK	14	01
03	0521047931	COMMAND 1/2	15	01
04	0581019187	JOYSTICK COMMAND SUPPORT		01
05	0511043351	1.1/4" X 40" ROD	17	01
06	0521047554	ROD 1.1 / 4 NC 760 X 4 ASSY WITH NUT	18	01
07	0571018368	FRAME FIXATION SUPPORT BODY 980		01
08	0521065785	LEFT FRAME FIXING SUPPORT		01
09	0521065784	FRAME FIXING RIGHT SUPPORT		01
10	0581015006	BOLT		02
11	0581010243	WASHER HEX		02
12	0511014065	7/8" NF X R1/2NPT X 52 NIPPLE		04
13	0521068067	ADAPTER WITH ROTATING NUT		01
14	0571012091	9/16 UNF X 7/16 UNF NIPPLE		02
15	0581015013	7/16" UNF X 53 ADAPTER		01
16	0581015028	GLOVE 21 X 44.45 X 141		02
17	0541013067	GLOVE 21 X 44.45 X 76		02
18	0571018371	SLEEVE		02
19	0531017238	LOCK TRANSPORT		02
20	0501068994	8,30 X 78 LOCK PIN		02
21	0501016545	FLAT WASHER		04
22	0581019205	SPRING PLASTIC HOSE PROTECTION		01
23	0521054946	HOSE ASSEMBLY		01
23A	0501082137	1/4 X 900 TC-TC HOSE		01
23B	0501081508	HOSE 1/4 X 1800 TR-TC		01
23C	0501080618	1/2" X 2200 TR-TC HOSE		02
24	0511033455	PACKED PARTS	19	01
25	0521068068	FIXER AXLE		02
26	0511033668	BAG WITH INSTRUCTION MANUAL		01
27	0581013404	PUMP		02

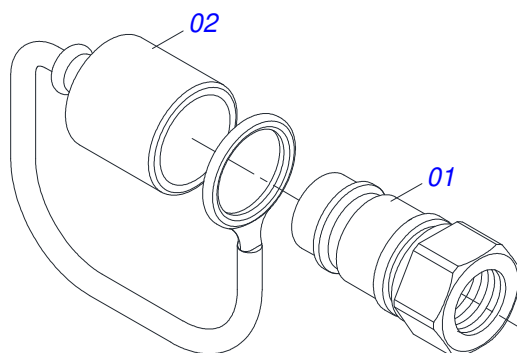




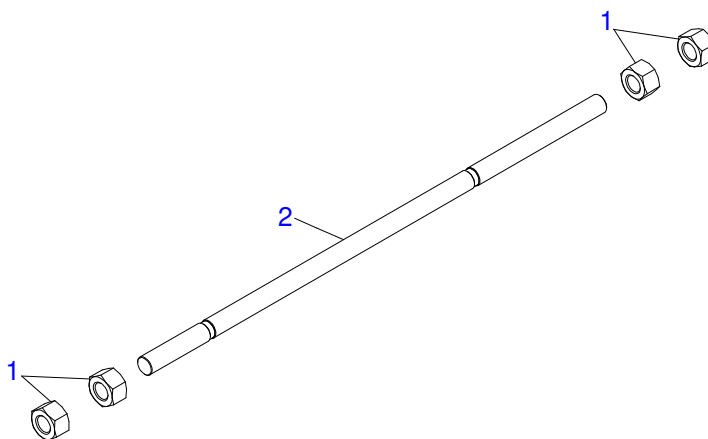
Item	Code	Description	See page	QT
01	0521065789	LOWER JOYSTICK SUPPORT		01
02	0571018376	CENTRAL BODY SUPPLEMENT OF JOYSTICK		01
03	0571018375	SUPERIOR BODY SUPPLEMENT OF JOYSTICK		01
04	0503010849	3/8" X 1-1/2" BOLT		02
05	0501010984	FLAT WASHER 10,50 X 27 X 3,00 ZN		02
06	0503010025	3/8" SPRING WASHER		02
07	0503010026	3/8" NUT		02
08	0503010848	5/16" X 3.1/2" BOLT		04
09	0501010694	FLAT WASHER		06
10	0503010179	LOCK WASHER 5/16 ZN 1K01528		06
11	0503010337	5/16" NUT		06
12	0503011053	5/16" X 3" C S 6.5 ZN BOLT		02
13	0541015551	0.39" X 0.512" X 1.9" SLEEVE		02



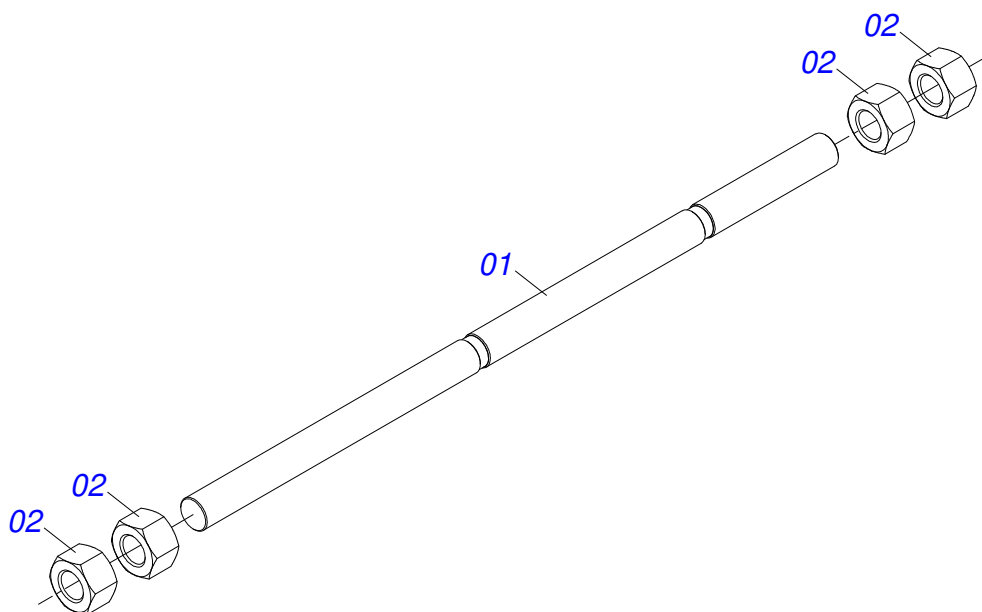
Item	Code	Description	See page	QT
01	0503062661	COMPLETE COMMAND - DLM142		01
02	0581014145	ADAPTER ASSY		02
03	0581014120	STRAIGHT ADAPTER		02
04	0503010045	O'RING		04
05	0571012091	9/16 UNF X 7/16 UNF NIPLE		01
06	0511018014	7/8"NF X 1.1/16 UN NIPPLE		02
07	0503011030	2-014 N 3006-9B O'RING		01
08	0503011109	2-119 N 3006-9B O'RING		02
09	0501053834	MALE QUICK COUPLER	16	04



Item	Code	Description	See page	QT
01	0503011627	MALE QUICK COUPLER AGR 1/2 NPT		01
02	0503011882	MALE QUICK COUPLER CAP		01

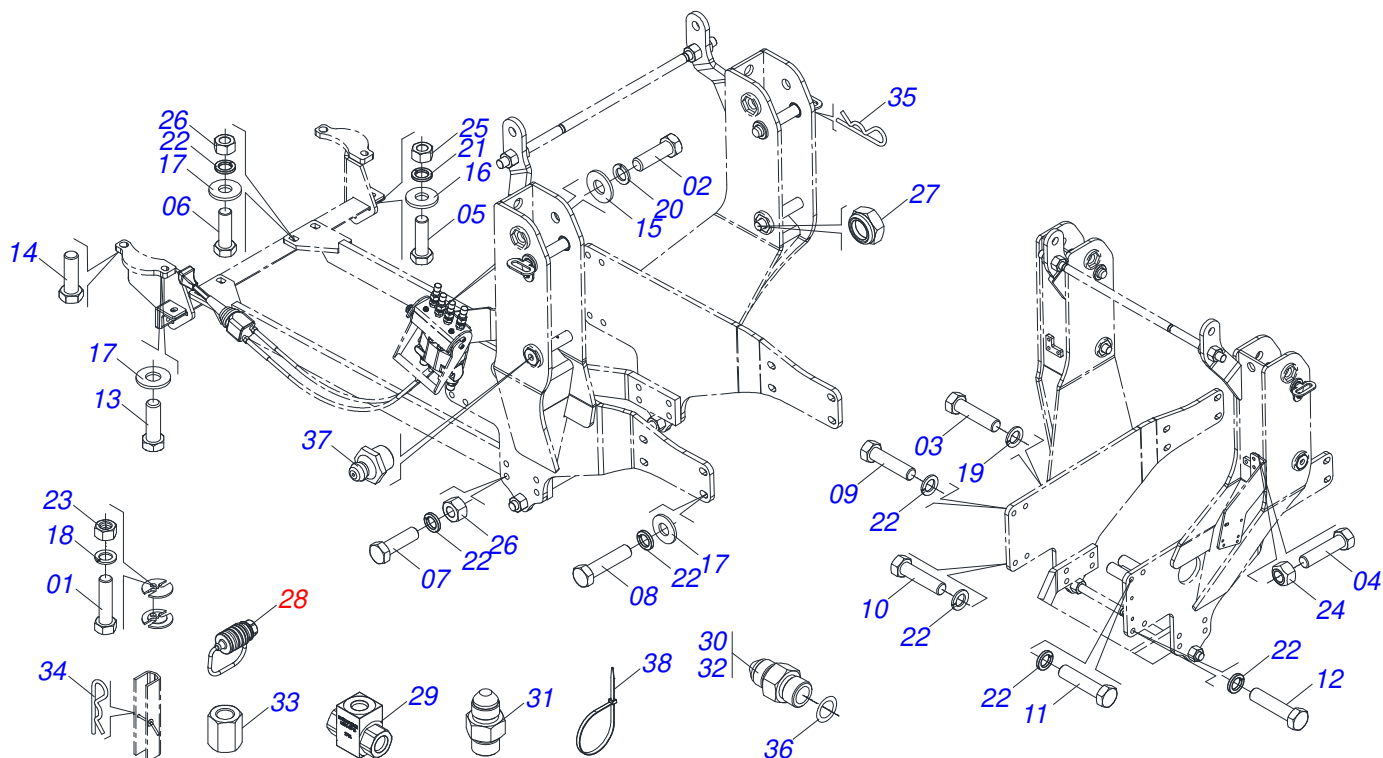


Item	Code	Description	See page	QT
01	0501010087	1.1/4" NUT		04
02	0541015018	ROD 1.1/4 NC X 1000		01



Item	Code	Description	See page	QT
01	0501010628	1.1/4" X 760 ROD		01
02	0501010087	1.1/4" NUT		04

PACKED PARTS



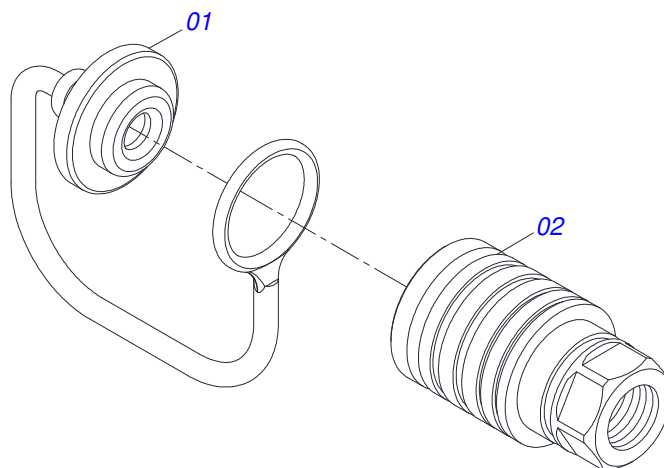
Item	Code	Description	See page	QT
01	0503017866	3/16" X 1,1/2" BOLT		01
02	0503016506	5/16 UNC X 3/4 C S G.5 ZN BOLT		04
03	0503011338	7/16" X 1" BOLT		02
04	0501010063	1/2" X 1-1/2" BOLT		02
05	0501010100	SCREW 5/8 UNC X 2 CS G.5 ZN		04
06	0501010125	3/4" X 2-1/2" BOLT		04
07	0501010500	3/4"X3"BOLT		08
08	0503013111	M20 X 2,5 X 65 BOLT		08
09	0503013103	M20 X 2,5 X 90 BOLT		02
10	0503014928	M20 X 2,5 X 130 BOLT		02
11	0503013364	M20 X 2,5 X 150 BOLT		02
12	0503015049	M20 X 2,5 X 190 BOLT		02
13	0501010066	3/4" X 9" BOLT		02
14	0501010064	1" X 9" BOLT		02
15	0501010694	FLAT WASHER		04
16	0501012140	FLAT WASHER		04
17	0501010322	FLAT WASHER		14
18	0503010668	3/16" SPRING WASHER		01
19	0503010180	7/16" SPRING WASHER		02
20	0503010179	LOCK WASHER 5/16 ZN 1K01528		04
21	0503010027	5/8" SPRING WASHER		04
22	0503010023	3/4" SPRING WASHER		28
23	0503010667	3/16" NUT		01
24	0503011336	1/2" HEX SELF ADJUSTING NUT		02
25	0503010013	5/8" NUT		04
26	0503010014	3/4" HEX NUT		12
27	0503010044	1-1/4" SELF LOCKING NUT		02
28	0501053835	FEMALE QUICK COUPLER	20	04
29	0503018955	LSV1 LOAD SHUTTLE VALVE		01
30	0531013708	7/8 UNF X R 9/16 UNF X 45 NIPPLE		01
31	0581015014	NIPLE 7/16 UNF JIC X 7/16 UNF X 37		01



PACKED PARTS

0511033455

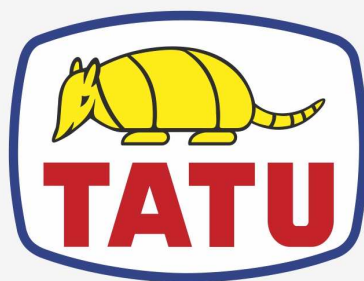
Item	Code	Description	See page	QT
32	0501011460	7/8 NF REDUCTION NIPPLE		01
33	0501011479	7/8" UNF ROTATIVE NUT		01
34	0503030012	HITCH PIN CLIP		02
35	0503030168	HITCH PIN CLIP		02
36	0503011030	2-014 N 3006-9B O'RING		03
37	0503010002	1800 GREASE FITTING		02
38	0503013527	CLAMP ZIPER		10



Item	Code	Description	See page	QT
01	0503011883	QUICK CONNECTION COVER		01
02	0503011628	FEMALE QUICK COUPLER		01







**MARCHESAN**

**Technical Publications | Elaboration and Revision**

LORENA ROCHA ALVES

[www.marchesan.com.br](http://www.marchesan.com.br)

