

**PCA - AGRICULTURAL FRONT LOADER**

## **PCA 600 - LANDINI BRUTUS**

**Code:** 0501093447  
**Series:** S-0122  
**Revision:** 00  
**Date Revision:** OUTUBRO/2022

# **PARTS CATALOGUE**



**MARCHESAN**



# PRODUCTS

Code	Description
0106112042	PCA 600 LDI 75/80/95 BT SC ESP S-0122

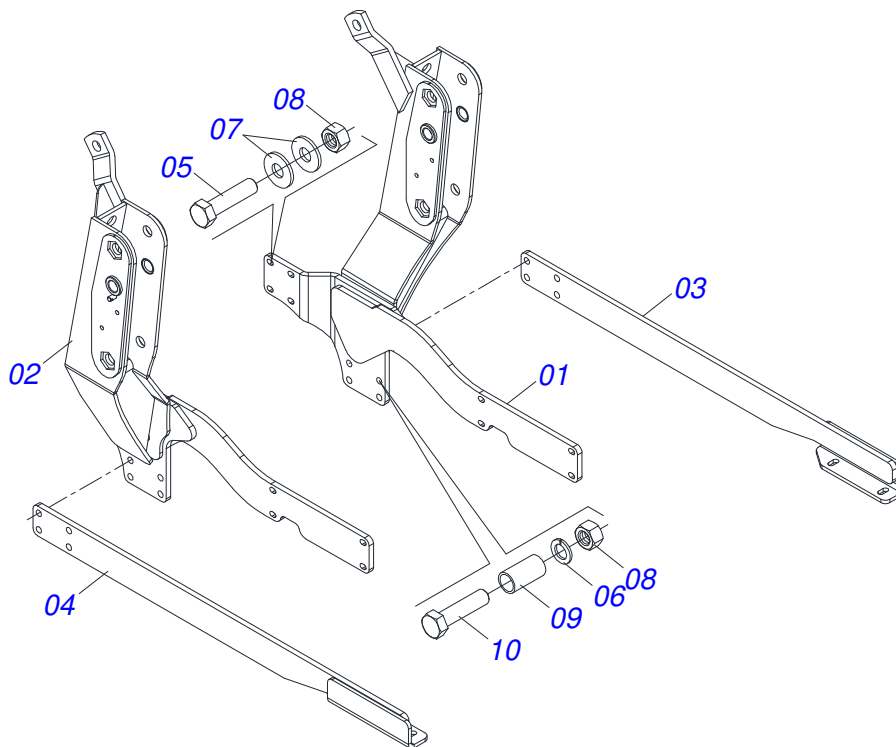
## ATTENTION: IMPORTANT

Marchesan S.A. reserves the right to improve and/or modify the technical features of its products, without obligation to do the same with those products already sold and without prior knowledge of the dealer or the consumer. The photos are only illustrative.

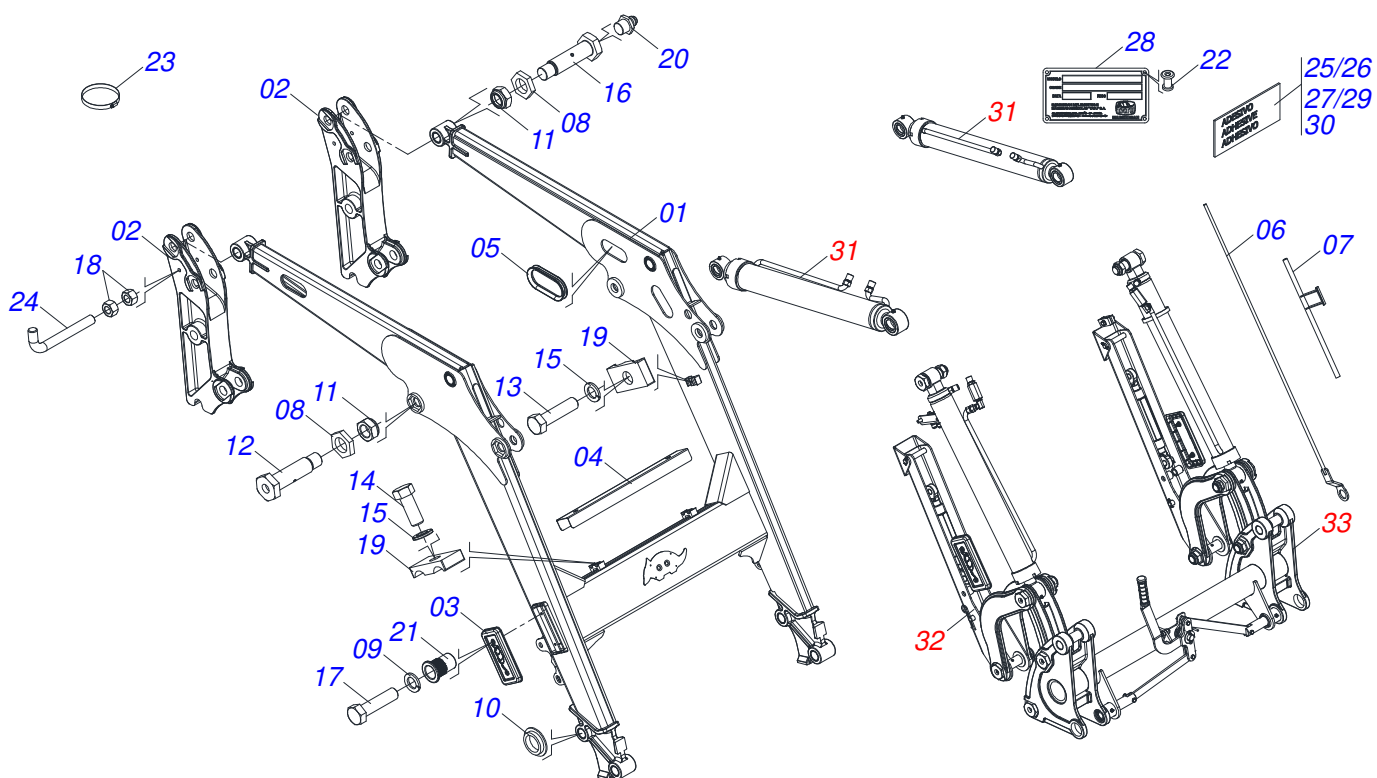


# INDEX

0531042646	FRAME ASSEMBLY WITH REAR BAR	.....	1
0531041063	MOBILE SUPPORT ASSY - PCA 600	.....	2
0909096310	HYDRAULIC ASSEMBLY	.....	3
0521050256	RIGHT HYDRAULIC CYLINDER Ø44,45 X 76,20 X 845 X 555	.....	4
0521050255	LEFT HYDRAULIC CYLINDER Ø44,45 X 76,20 X 845 X 555	.....	5
0521045380	RIGHT HYDRAULIC CYLINDER Ø44,45 X 76,10 X 918	.....	6
0521045379	LEFT HYDRAULIC CYLINDER Ø44,45 X 76,10 X 918	.....	7
0909096311	JACK ASSEMBLY	.....	8
0909096312	ARTICULATION ASSEMBLY	.....	9
0521027797	BOX WITH COMPONENTS	.....	10
0511044706	1.1/4 NC X 950 FULL ROD	.....	11
0511034372	PACKED PARTS	.....	12
0501053834	MALE QUICK COUPLER	.....	13



Item	Code	Description	See page	QT
01	0531064021	RIGHT FRAME		01
02	0531064020	LEFT FRAME		01
03	0531064014	RIGHT REAR BAR		01
04	0531064015	LEFT REAR BAR		01
05	0501010500	3/4"X3"BOLT		02
06	0503010023	3/4" SPRING WASHER		04
07	0501010322	FLAT WASHER		06
08	0503010014	3/4" HEX NUT		06
09	0581015170	SLEEVE		04
10	0501010216	3/4 UNC X 4.1/2 C S G.5 ZN BOLT		04



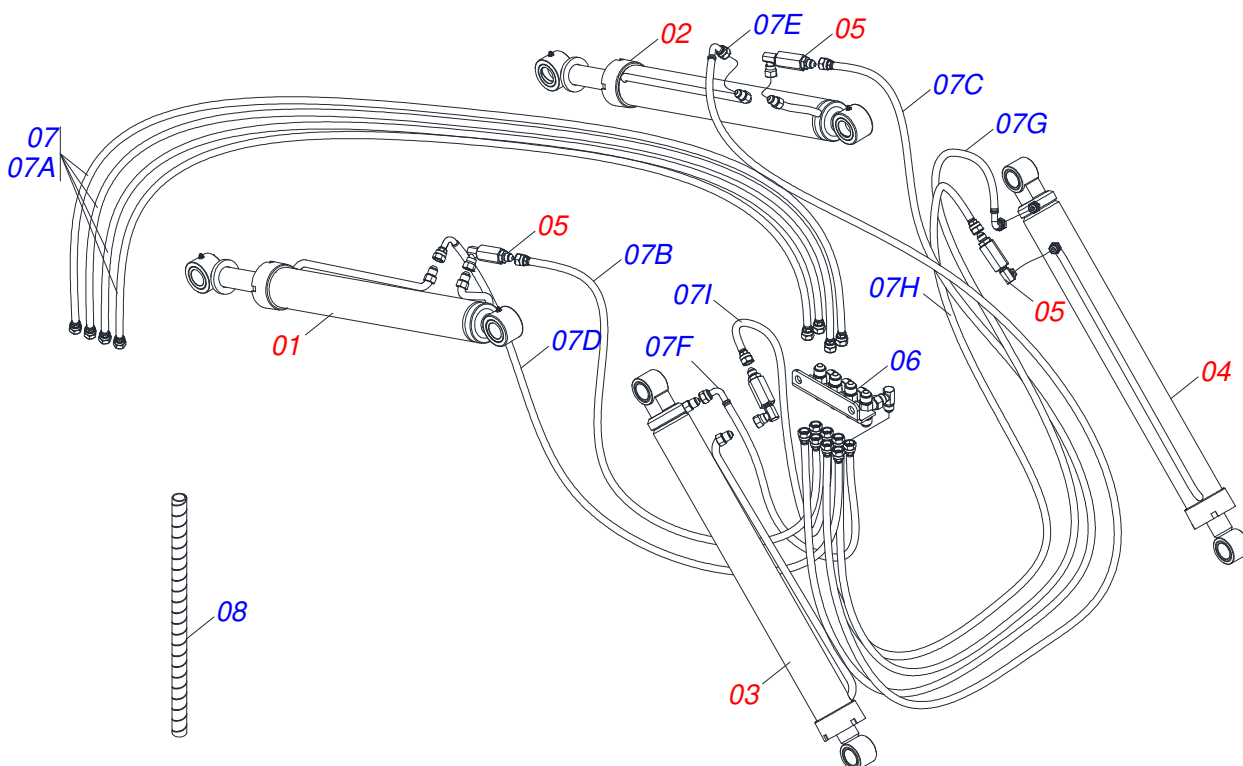
Item	Code	Description	See page	QT
01	0531060872	MOVING SUPPORT		01
02	0502012950	TOWER		02
03	0503035448	COVER		02
04	0581017751	HOSE PROTECTION		01
05	0503034364	HOSE PROTECTOR		02
06	0521068692	LEVEL ROD		01
07	0521067968	ROD GUIDE		01
08	0581010243	WASHER HEX		06
09	0503010143	1/4" SPRING WASHER		04
10	0591010982	WASHER SPACER		04
11	0503010044	1-1/4" SELF LOCKING NUT		08
12	0581013575	1.1/4 UNF X 85 BOLT		04
13	0503012555	SCREW 7/16 UNC X 2 CS RT G.7 ZN		03
14	0503011338	7/16" X 1" BOLT		02
15	0503010180	7/16" SPRING WASHER		05
16	0571018264	1.1/4" UNF X 149 ZN BOLT		04
17	0503010461	1/4" X 1" BOLT		04
18	0503010060	1/2 UNC G.5 ZN HEX NUT		02
19	1902010477	UPPER CLAMP BODY		04
20	0503010002	1800 GREASE FITTING		12
21	0503019901	INTERNAL THREAD RIVET RM 1/4 P30S		04
22	0503010001	3.2 X 5.5 RIVET		04
23	0503011372	102 TO 121 CLAMP		01
24	0581010285	CONTROL LOCKING HOOK		01
25	0503031087	ADHESIVE LABEL		01
26	0503031428	READ MANUAL DECAL		01
27	0503031827	LUBRICATE AND RETIGHTEN DAILY DECAL		01
28	0503034003	SERIAL NUMBER TAG 61 X 118		01
29	0503034078	LIFTING POINTS DECAL		01
30	0503062658	SET LABEL ADHESIVE		01
31	0909096310	HYDRAULIC ASSEMBLY	3	01



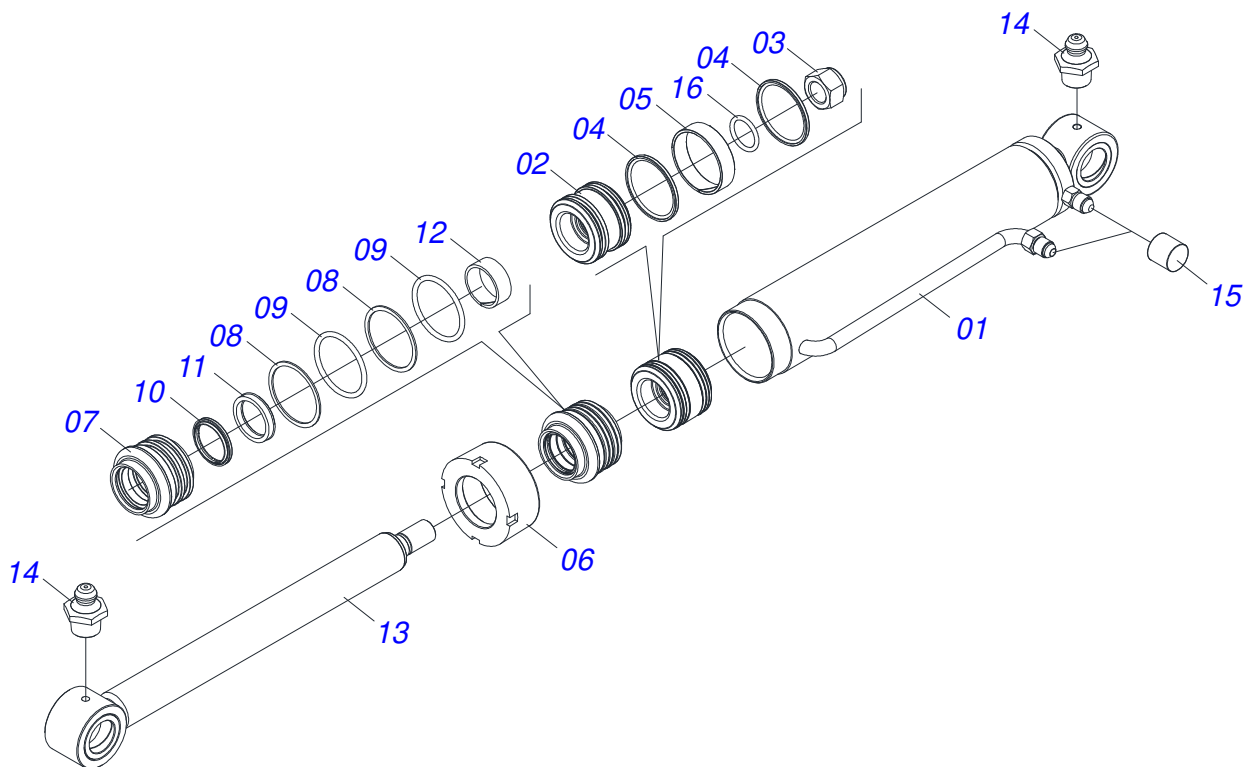
PCA 600 - LANDINI BRUTUS  
MOBILE SUPPORT ASSY - PCA 600

Page 2  
0531041063

Item	Code	Description	See page	QT
32	0909096311	JACK ASSEMBLY	8	01
33	0909096312	ARTICULATION ASSEMBLY	9	01

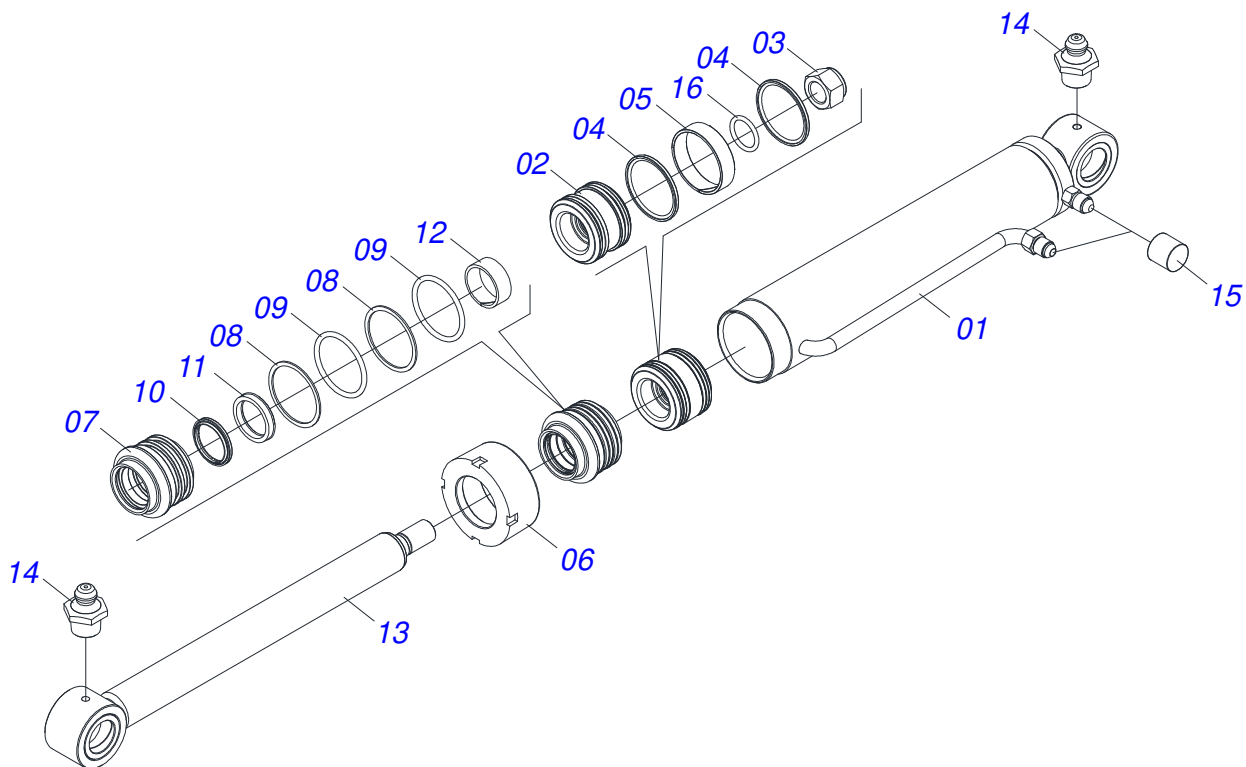


Item	Code	Description	See page	QT
01	0521050256	RIGHT HYDRAULIC CYLINDER Ø44,45 X 76,20 X 4 845 X 555		01
02	0521050255	LEFT HYDRAULIC CYLINDER Ø44,45 X 76,20 X 845 5 X 555		01
03	0521045380	RIGHT HYDRAULIC CYLINDER Ø44,45 X 76,10 X 6 918		01
04	0521045379	LEFT HYDRAULIC CYLINDER Ø44,45 X 76,10 X 918 7		01
05	0511057772	SECURITY VALVE ASSY		04
06	0521069023	HOSE DIVIDER PCA 600 2C		02
07	0511056982	HOSE SET MOBILE SUPPORT		01
07A	0501080452	3/8" X 98" TR-TR HOSE		04
07B	0501080127	HOSE		01
07C	0501080483	3/8" X 86,6" TR-TR HOSE		01
07D	0501080348	3/8 X 1200 TR-TC HOSE		01
07E	0501080451	3/8" X 94.5" TR-TC HOSE ASSY		01
07F	0501080375	3/8 X 600 TR-TC HOSE		01
07G	0501080419	3/8 X 2100 TR-TC HOSE		01
07H	0501080320	3/8" X 82,6" TR-TR HOSE		01
07I	0501080027	3/8" X 39,3" TR-TR HOSE ASSY		01
08	0571014419	PLASTIC PROTECTION SPRING HOSE 3/4 X 700MM		01

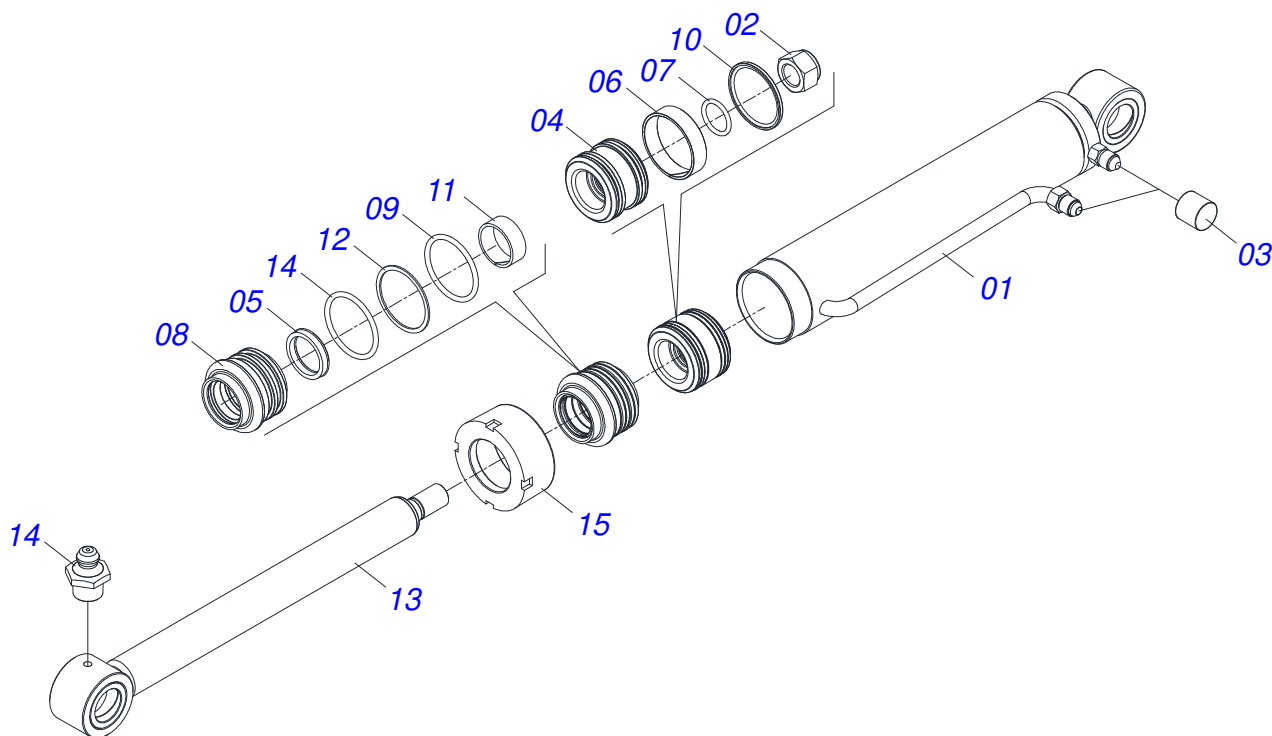


Item	Code	Description	See page	QT
01	0521067485	76,20 X 740,50 RIGHT CYLINDER CASE		01
02	0581010304	PISTON		01
03	0503010063	1" SELF-ALIGNING NUT		01
04	0503018138	RING BS		02
05	0503018140	RING GUIDE		01
06	0502011899	MOBILE COVER		01
07	0581010301	RING SUPPORT		01
08	0503011059	8-334 BACK-UP RING		02
09	0503010343	2-334 N 3006-9B O'RING		02
10	0503010761	D-1750 SCRAPER RING		01
11	0503017937	GASKET		01
12	0503017938	RING GUIDE		01
13	0521067543	44,45 X 774 AIR TURNBUCKLE		01
14	0503010002	1800 GREASE FITTING		02
15	0503030385	CYLINDER PLUG N-002		02
16	0503010042	2-214 N 3006-9B O'RING		01
17	0511032293	HYDRAULIC CYLINDER REPAIR KIT		01

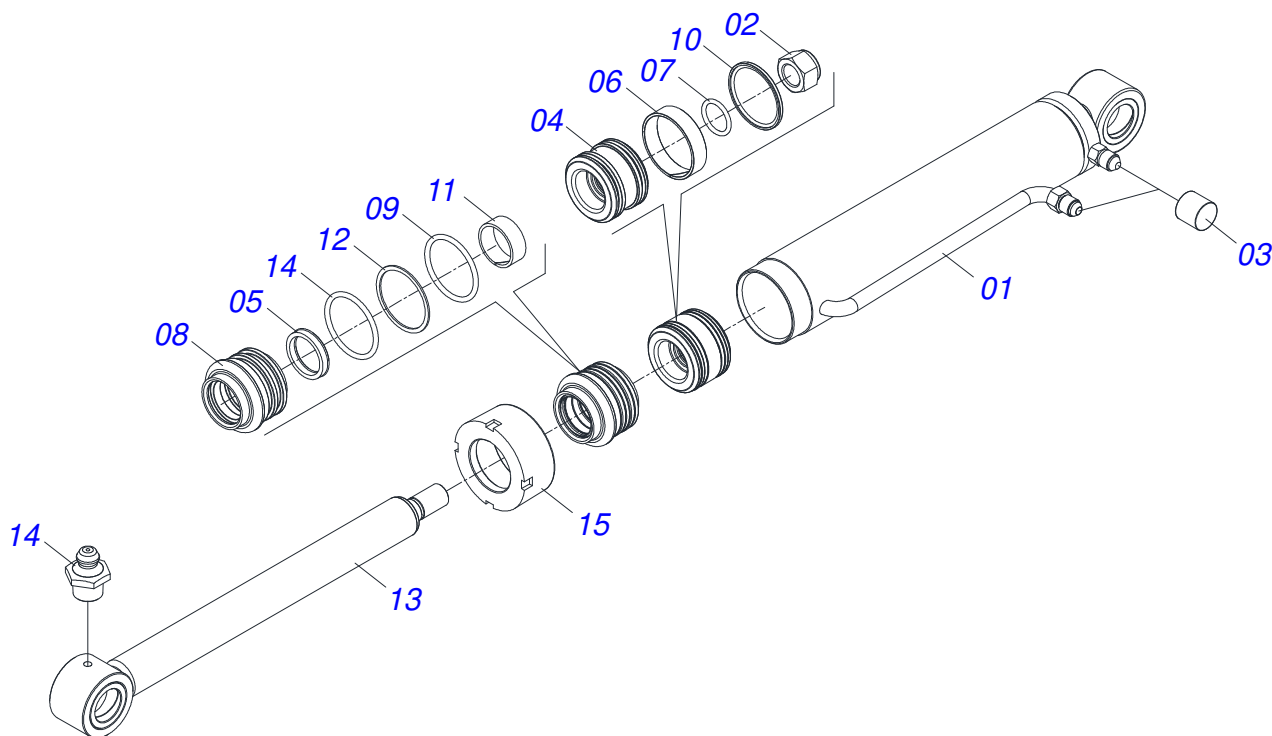




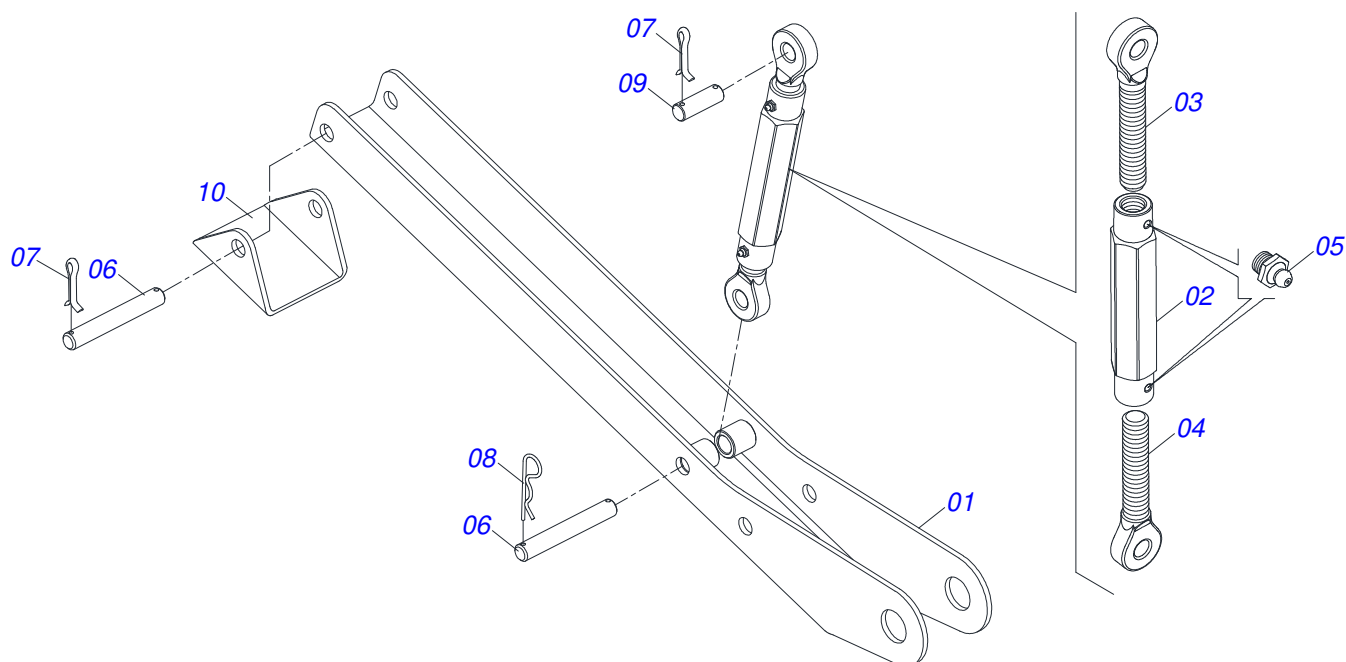
Item	Code	Description	See page	QT
01	0521067486	76,20 X 740,50 LEFT CYLINDER CASE		01
02	0581010304	PISTON		01
03	0503010063	1" SELF-ALIGNING NUT		01
04	0503018138	RING BS		02
05	0503018140	RING GUIDE		01
06	0502011899	MOBILE COVER		01
07	0581010301	RING SUPPORT		01
08	0503011059	8-334 BACK-UP RING		02
09	0503010343	2-334 N 3006-9B O'RING		02
10	0503010761	D-1750 SCRAPER RING		01
11	0503017937	GASKET		01
12	0503017938	RING GUIDE		01
13	0521067543	44,45 X 774 AIR TURNBUCKLE		01
14	0503010002	1800 GREASE FITTING		02
15	0503030385	CYLINDER PLUG N-002		02
16	0503010042	2-214 N 3006-9B O'RING		01
17	0511032293	HYDRAULIC CYLINDER REPAIR KIT		01



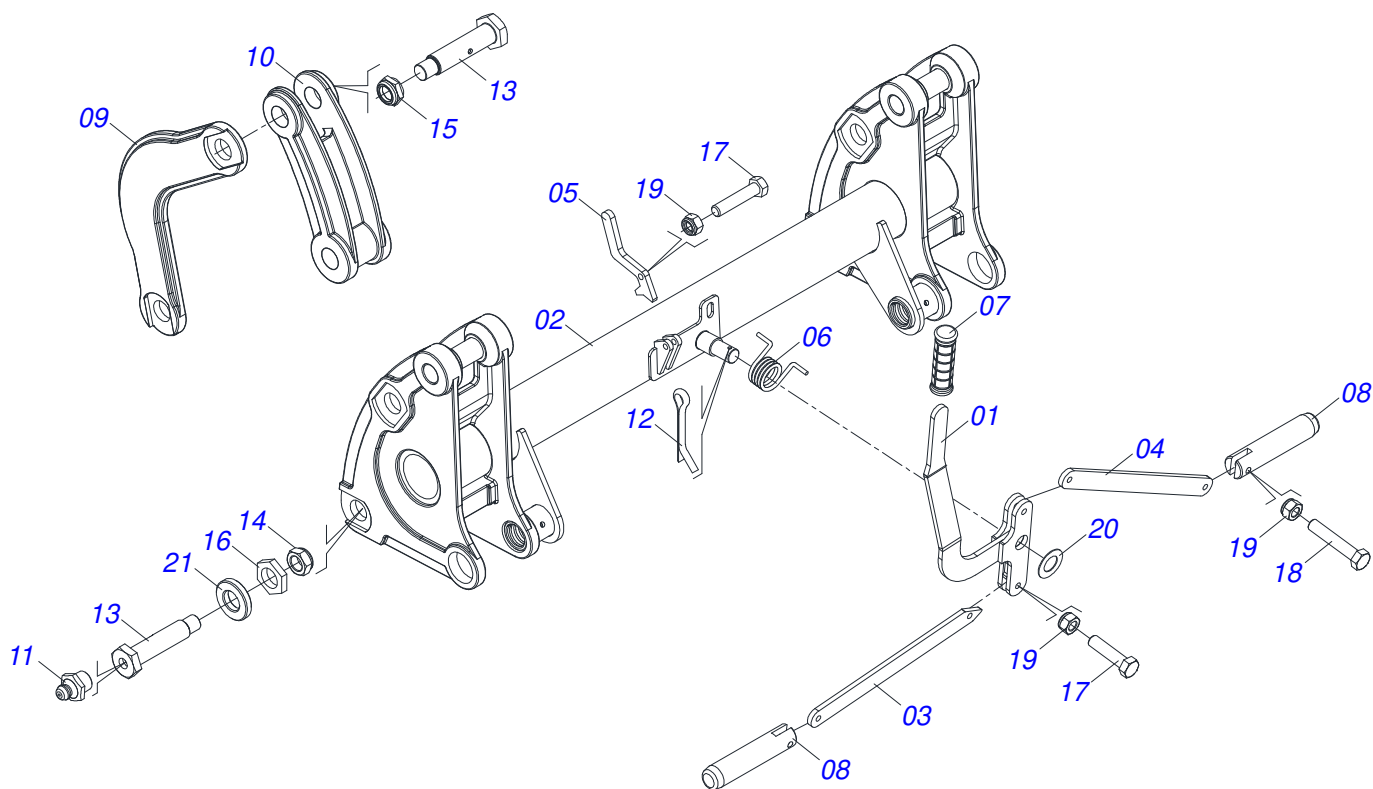
Item	Code	Description	See page	QT
01	0521065843	RIGHT CYLINDER CASE WITH EXTENSION		01
02	0503010063	1" SELF-ALIGNING NUT		01
03	0503030385	CYLINDER PLUG N-002		02
04	0502011898	1.8" X 3.0" PISTON		01
05	0503012768	3750-2250 GASKET		02
06	0503010992	W2-3000-500 PK RING G.E		01
07	0503010042	2-214 N 3006-9B O'RING		01
08	0502011897	RING SUPPORT		01
09	0503010761	D-1750 SCRAPER RING		01
10	0503010990	GASKET		01
11	0503010949	W2-2000-500 PK RING G.E		01
12	0503011059	8-334 BACK-UP RING		01
13	0521065845	Ø 44,45 X 839 WELDED ARTICULATOR		01
14	0503010343	2-334 N 3006-9B O'RING		01
15	0502011899	MOBILE COVER		01
16	0503010002	1800 GREASE FITTING		01
17	0501033655	HYDRAULIC CYLINDER REPAIR KIT		01



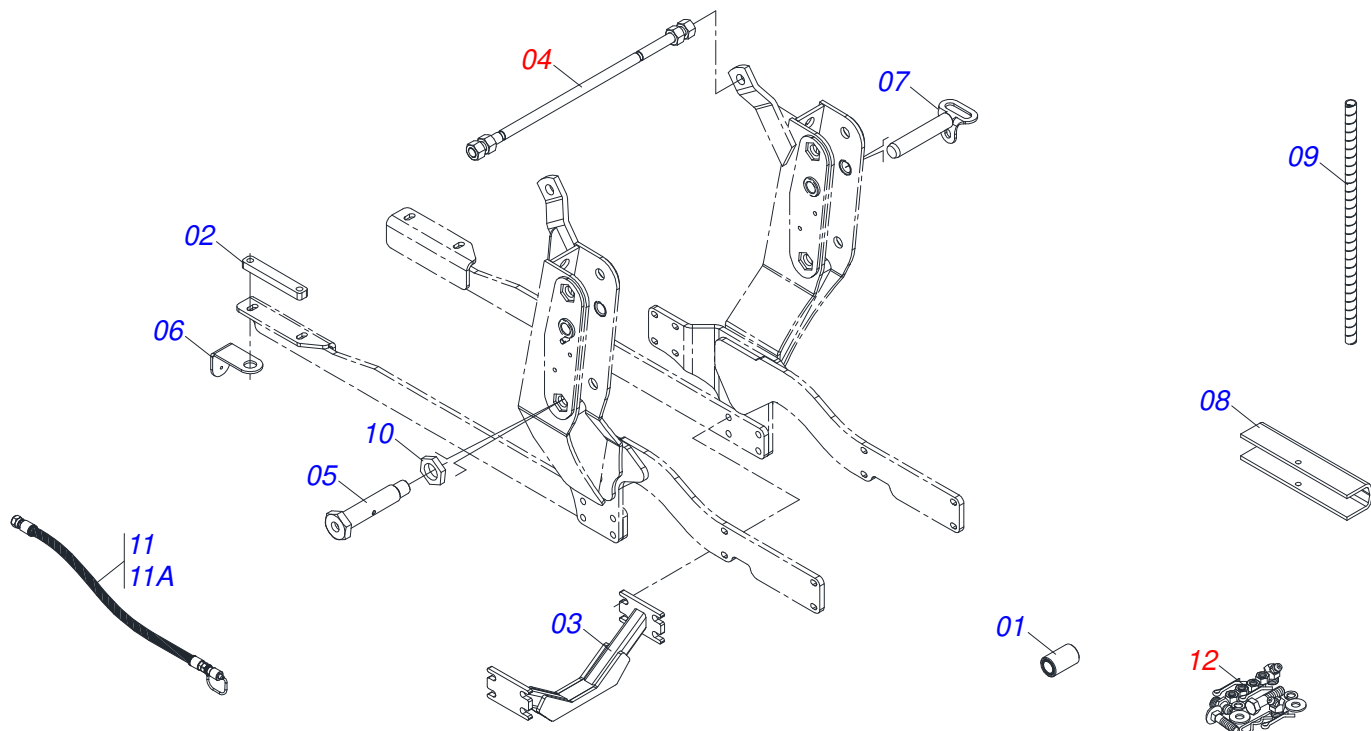
Item	Code	Description	See page	QT
01	0521065842	CYLINDER CASE WITH EXTENSION		01
02	0503010063	1" SELF-ALIGNING NUT		01
03	0503030385	CYLINDER PLUG N-002		02
04	0502011898	1.8" X 3.0" PISTON		01
05	0503012768	3750-2250 GASKET		02
06	0503010992	W2-3000-500 PK RING G.E		01
07	0503010042	2-214 N 3006-9B O'RING		01
08	0502011897	RING SUPPORT		01
09	0503010761	D-1750 SCRAPER RING		01
10	0503010990	GASKET		01
11	0503010949	W2-2000-500 PK RING G.E		01
12	0503011059	8-334 BACK-UP RING		01
13	0521065845	Ø 44,45 X 839 WELDED ARTICULATOR		01
14	0503010343	2-334 N 3006-9B O'RING		01
15	0502011899	MOBILE COVER		01
16	0503010002	1800 GREASE FITTING		01
17	0501033655	HYDRAULIC CYLINDER REPAIR KIT		01



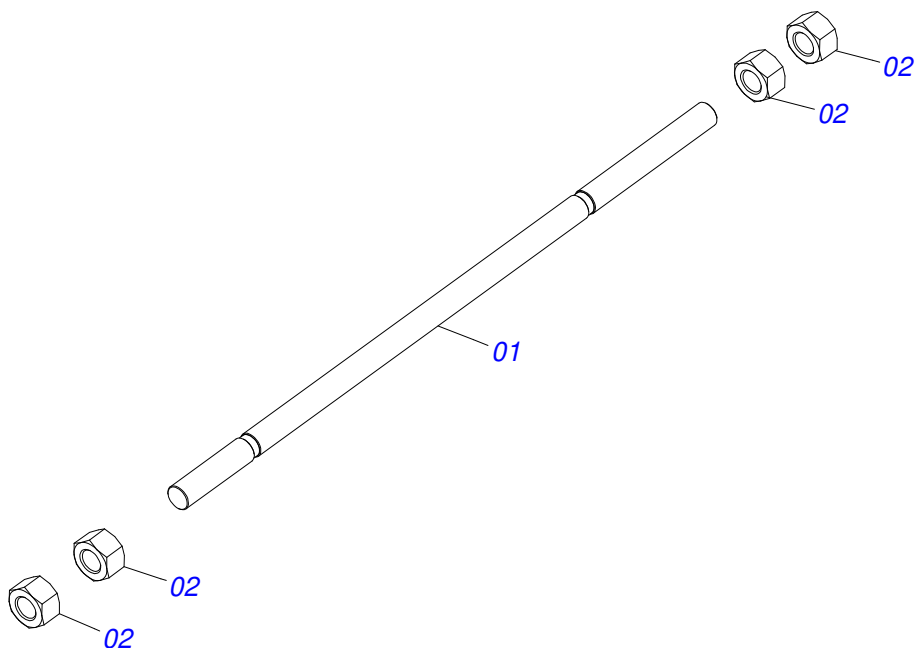
Item	Code	Description	See page	QT
01	0521065756	PLOUGH SUPPORT BODY		02
02	0502012530	REGULATOR NUT BODY R1		02
03	0502012562	LEFT SPINDLE R1 X 160		02
04	0502012529	RIGHT SPINDLE R1 X 160		02
05	0503010002	1800 GREASE FITTING		04
06	0571018253	3/4 X 133 PCA-T 1500 COUPLING SHAFT		04
07	0503010071	3/16" X 1" COTTERPIN		06
08	0503030012	HITCH PIN CLIP		02
09	0561015578	3/4 X 56 PCA VTR A750 COUPLING SHAFT		02
10	0571018252	REST BASE		02



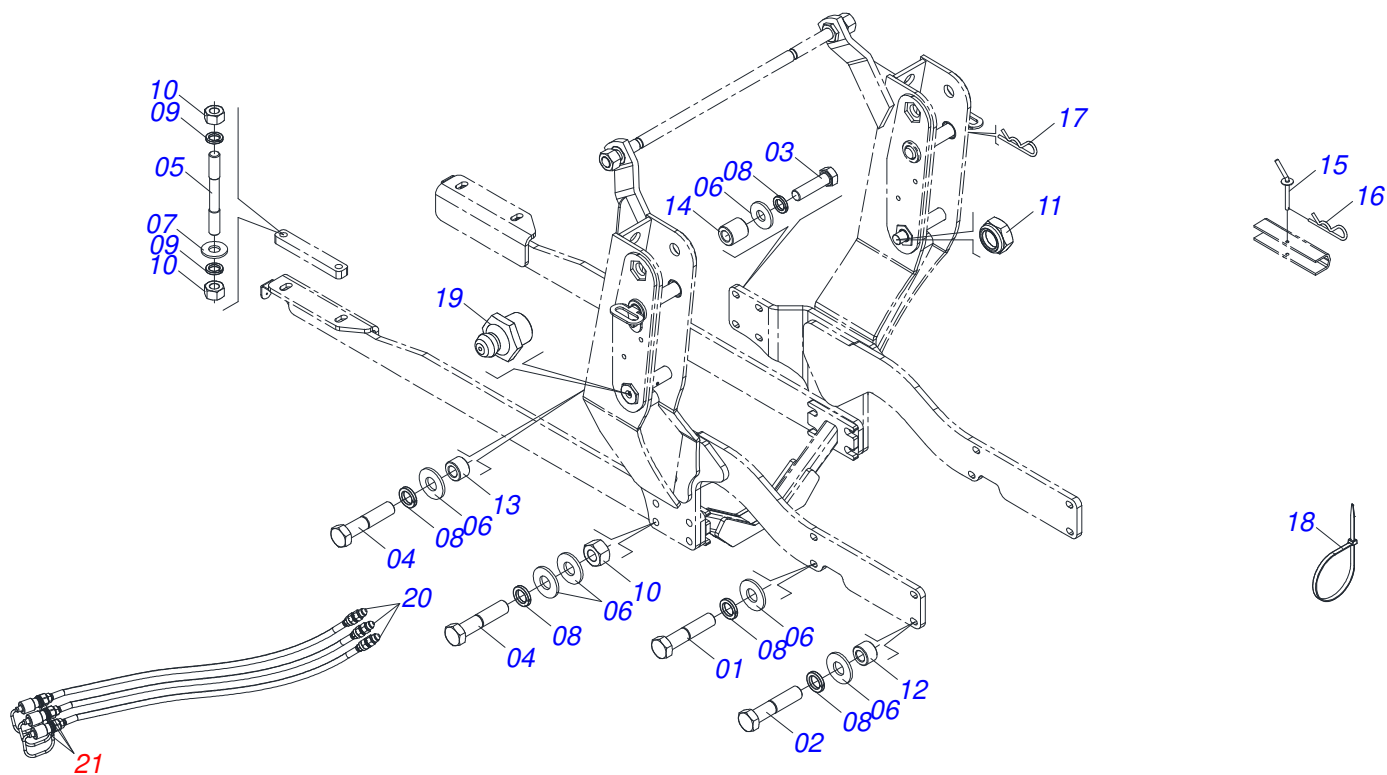
Item	Code	Description	See page	QT
01	0521065888	LEVER		01
02	0531060874	ARTICULATOR		01
03	0571018125	RIGHT ARM OF THE UNLOCK		01
04	0571018935	SPRING SUPPORT ARM		01
05	0571018934	PENDULUM LOCKS		01
06	0503034192	TORSION SPRING		01
07	0503037382	Ø25 X 120 PVC HANDLE		01
08	0571018129	PIN LOCK ACCESSORY		02
09	0502012952	LOWER COPYING ARM		04
10	0502012953	ARTICULATE MINOR BODY		02
11	0503010002	1800 GREASE FITTING		06
12	0503010523	1/4" X 2" COTTERPIN		01
13	0571018245	1.1/4" UNF X 139 BOLT		08
14	0503010044	1-1/4" SELF LOCKING NUT		07
15	0571018205	1.1/4"XUNF NUT WITH RECESS		01
16	0581010243	WASHER HEX		06
17	0503010849	3/8" X 1-1/2" BOLT		03
18	0503011236	3/8" X 2" BOLT		02
19	0503013357	3/8" SELF-ADJUSTING NUT		05
20	0561011883	FLAT WASHER		01
21	0581014204	FLAT WASHER		02



Item	Code	Description	See page	QT
01	0501110416			01
02	0501214157	FRAME FIXER		02
03	0531064017	FRAME LOCK LOWER		01
04	0511044706	1.1/4 NC X 950 FULL ROD	11	01
05	0581013410	1.1/4" UNF X 155 BOLT		02
06	0501214236	REFLECTIVE FIXER		02
07	0521067468	MOBILE HOLDER COUPLING HUB		02
08	0531017238	LOCK TRANSPORT		02
09	0581010090	SPRING PROTECTION PLASTIC HOSE		02
10	0581010243	WASHER HEX		02
11	0521050403	HOSE SET		01
11A	0501080384	TR-TM HOSE ASSY		04
12	0511034372	PACKED PARTS	12	01

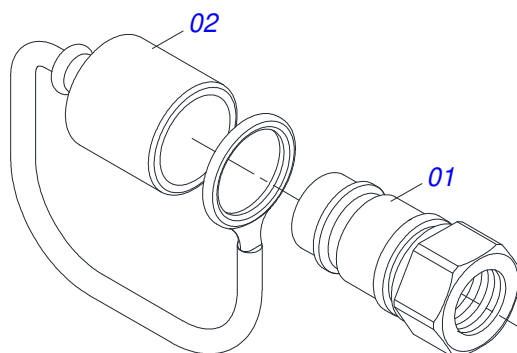


Item	Code	Description	See page	QT
01	0541019517	1.1/4" ROD		01
02	0501010087	1.1/4" NUT		04



Item	Code	Description	See page	QT
01	0503011730	M16 X 2 X 60 BOLT		04
02	0503012693	M16 X 2 X 75 BOLT		04
03	0503012833	M16 X 2 X 90 BOLT		08
04	0503012334	3/4" UNC X 3.1/2" BOLT		08
05	0501214158	PRISONER 3/4 UNC X R3/4 UNC X 260		04
06	0501012140	FLAT WASHER		16
07	0501010322	FLAT WASHER		10
08	0503010027	5/8" SPRING WASHER		16
09	0503010023	3/4" SPRING WASHER		16
10	0503010014	3/4" HEX NUT		16
11	0503010044	1-1/4" SELF LOCKING NUT		02
12	0541015621	16.30 X 30 X 20 GLOVE		04
13	0551018240	SLEEVE		06
14	0541012141	SLEEVE 17,46 X 30 X 25		02
15	0501068994	8,30 X 78 LOCK PIN		02
16	0503030168	HITCH PIN CLIP		02
17	0503030012	HITCH PIN CLIP		02
18	0503013527	CLAMP ZIPER		10
19	0503010002	1800 GREASE FITTING		02
20	0571018714	3/4"X3/4"UNF NIPPLE UNION (HEXAGONAL 7/8"X50)		04
21	0501053834	MALE QUICK COUPLER	13	04





Item	Code	Description	See page	QT
01	0503011627	MALE QUICK COUPLER AGR 1/2 NPT		01
02	0503011882	MALE QUICK COUPLER CAP		01





**MARCHESAN**

**Technical Publications | Elaboration and Revision**

LORENA ROCHA ALVES

[www.marchesan.com.br](http://www.marchesan.com.br)

