

AUXILIARY PRODUCTS

GATG PRO 2000

Code: 0501093413
Series: S-0322
Revision: 00
Date Revision: SETEMBRO/2022

PARTS CATALOGUE



MARCHESAN



PRODUCTS

Code	Description
0407010027	GATG-PRO 2000 ESP S-0322

ATTENTION: IMPORTANT

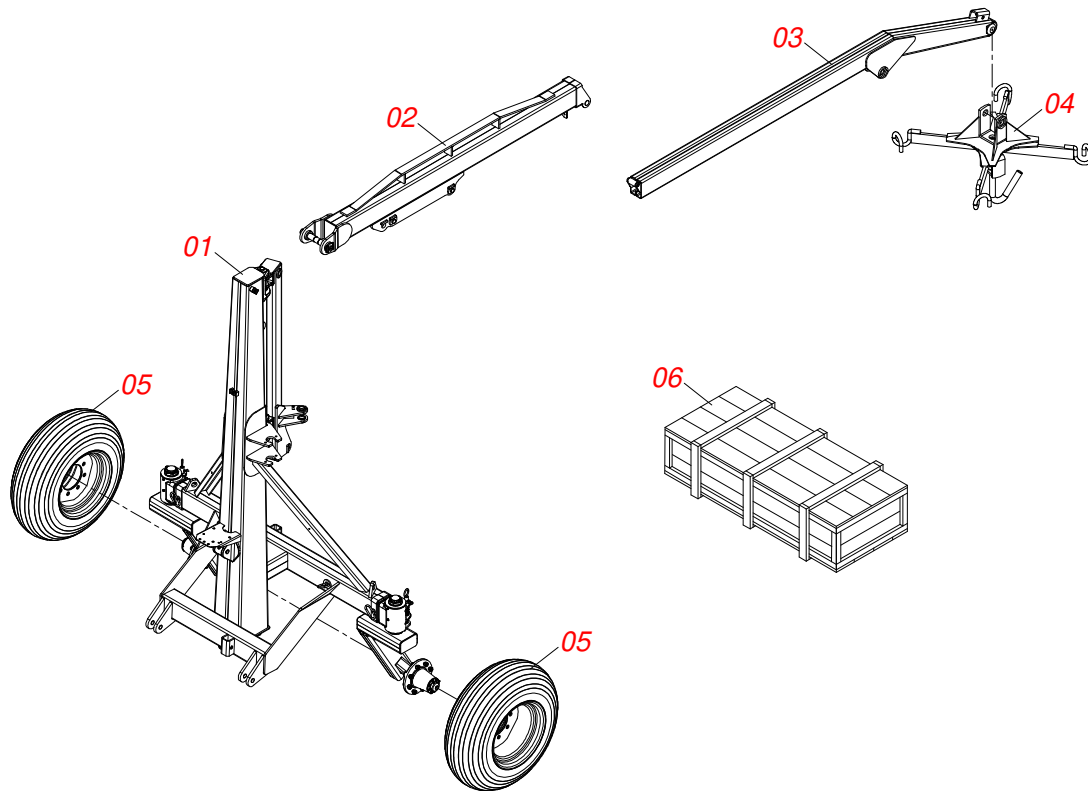
Marchesan S.A. reserves the right to improve and/or modify the technical features of its products, without obligation to do the same with those products already sold and without prior knowledge of the dealer or the consumer. The photos are only illustrative.



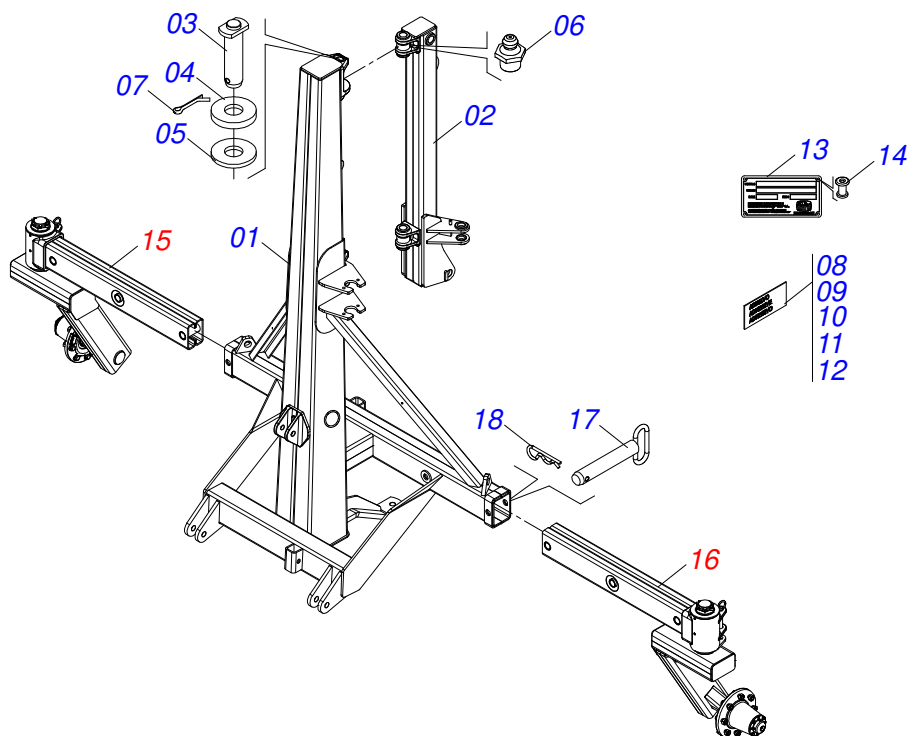
MARCHESAN

INDEX

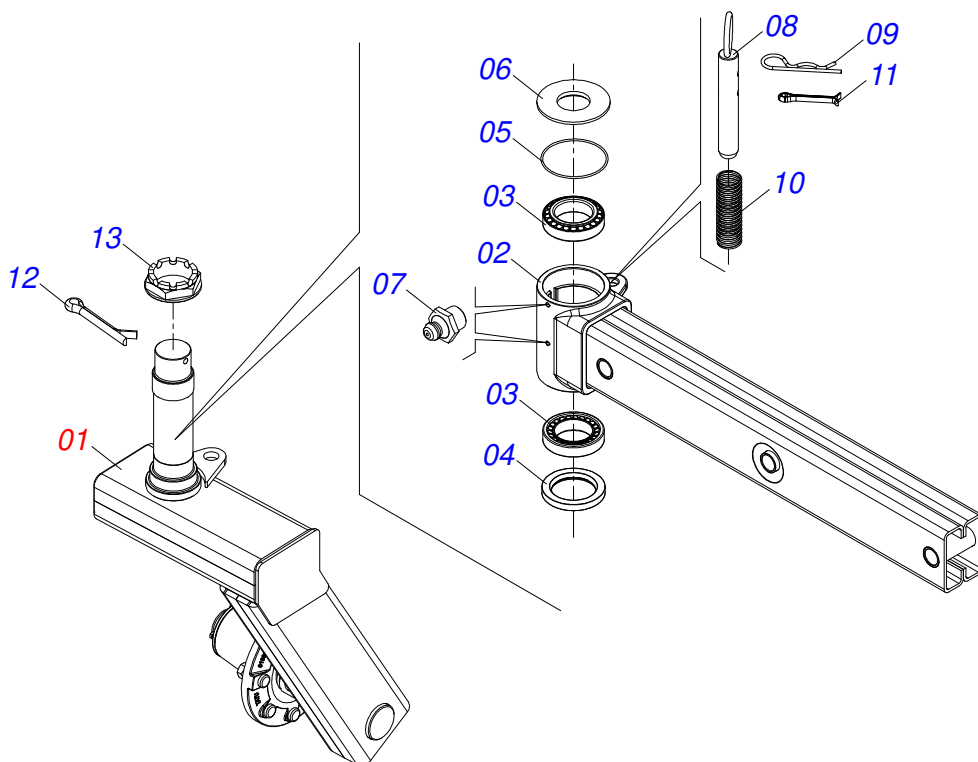
0909096522	ASSY FRAME	1
0531042394	ASSY TOWER	2
0511054471	ASSY RIGHT WHEELED ARM	3
0511054563	RIGHT WHEEL ARM	4
0511054472	ASSY LEFT ROD ARM	5
0511054564	LEFT WHEEL ARM	6
0501058791	STUB SHAFT & HUB ASSY	7
0531042396	BOOM WITH AXLE / LABEL	8
0531042431	INTERNAL BODY TELESCOPIC BOOM WITH PULLEY	9
0511058531	CROSSPIECE	10
0503060244	WHEEL WITH TIRE 11L-15 10L 8F ASSY	11
0521027595	BOX WITH COMPONENTS	12
0511058445	HYDRAULIC CYLINDER 44,45X85,7X205X322	13
0511058407	HYDRAULIC CYLINDER 50,8X101,6X1139X883	14
0531054984	HYDRAULIC CYLINDER 44,45X76,20X1453X1000	15
0531055094	CYLINDER ACTIVATION CONTROL VALVE ASSY	16
0531054998	HOSE SET	17
0511034357	PACKED PARTS	18
0501053834	MALE QUICK COUPLER	19



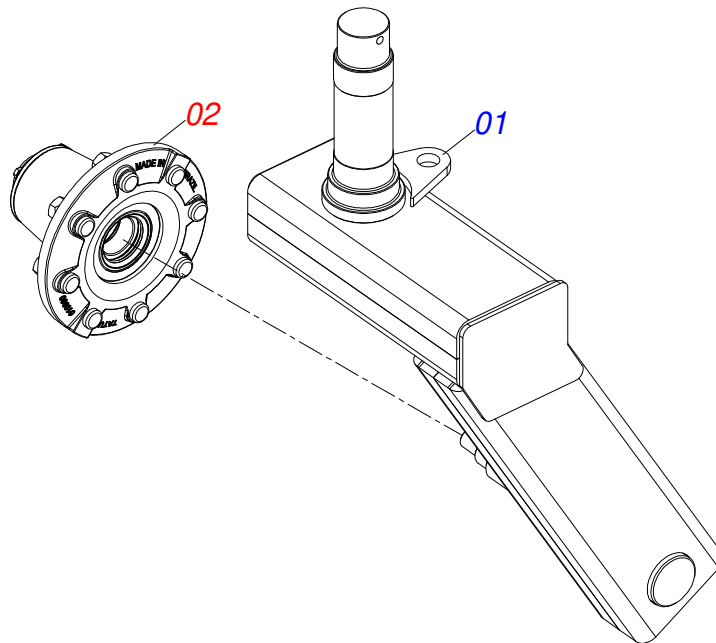
Item	Code	Description	See page	QT
01	0531042394	ASSY TOWER	2	01
02	0531042396	BOOM WITH AXLE / LABEL	8	01
03	0531042431	INTERNAL BODY TELESCOPIC BOOM WITH PULLEY	9	01
04	0511058531	CROSSPIECE	10	01
05	0503060244	WHEEL WITH TIRE 11L-15 10L 8F ASSY	11	02
06	0521027595	BOX WITH COMPONENTS	12	01



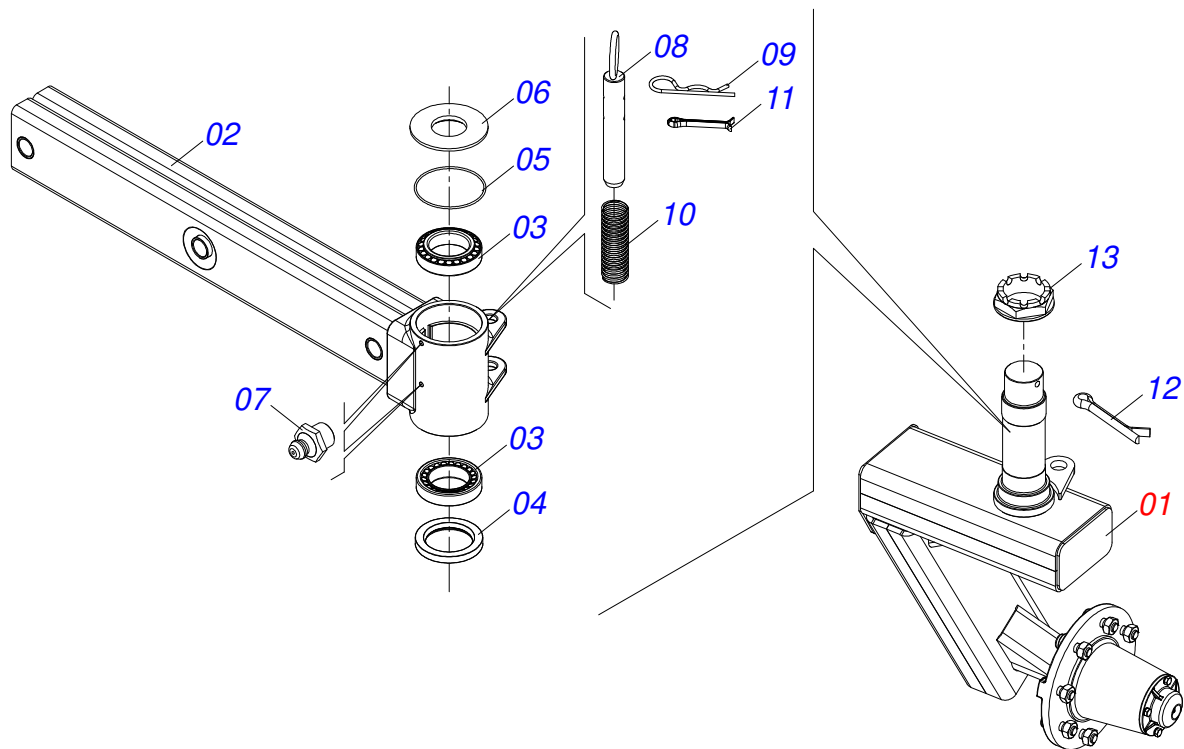
Item	Code	Description	See page	QT
01	0521060225	ADJUSTABLE TOWER		01
02	0521061767	TURNING TOWER		01
03	0521063228	COUPLING SHAFT		02
04	0551012215	FLAT WASHER		02
05	0511019685	FLAT WASHER		02
06	0503010002	1800 GREASE FITTING		02
07	0503010073	3/8 X 3-1/2 COTTERPIN		02
08	0503031822	DANGER ADHESIVE LABEL		01
09	0503031428	READ MANUAL DECAL		01
10	0503031827	LUBRICATE AND RETIGHTEN DAILY DECAL		01
11	0503031920	DANGER ADHESIVE LABEL		01
12	0503031087	ADHESIVE LABEL		01
12.	0503036073	STICKER (OPENING X WEIGHT)		01
13	0503034003	SERIAL NUMBER TAG 61 X 118		01
14	0503010001	3.2 X 5.5 RIVET		04
15	0511054471	ASSY RIGHT WHEELED ARM	3	01
16	0511054472	ASSY LEFT ROD ARM	5	01
17	0501069080	COUPLING SHAFT		04
18	0503031035	HITCH PIN CLIP		04



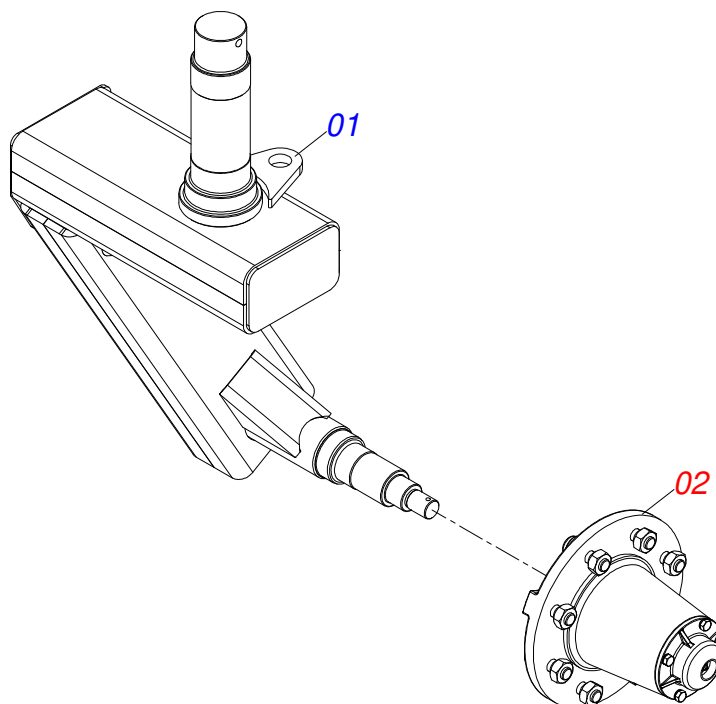
Item	Code	Description	See page	QT
01	0511054563	RIGHT WHEEL ARM	4	01
02	0521060211	RIGHT ARM		01
03	0503010059	33287/33462 ROLLER BEARING		02
04	0503010050	SEAL 00085-B		01
05	0503012314	2-248 1G05195 O'RING		01
06	0541016926	HUB COVER		01
07	0503010002	1800 GREASE FITTING		02
08	0521064320	LOCK PIN		01
09	0503030012	HITCH PIN CLIP		01
10	0503030978	COMPRES SPRING		01
11	0503010131	3/16" X 1-1/2" COTTERPIN		01
12	0503010073	3/8 X 3-1/2 COTTERPIN		01
13	0502040080	FLANGE NUT R.2.1/2 UN		01



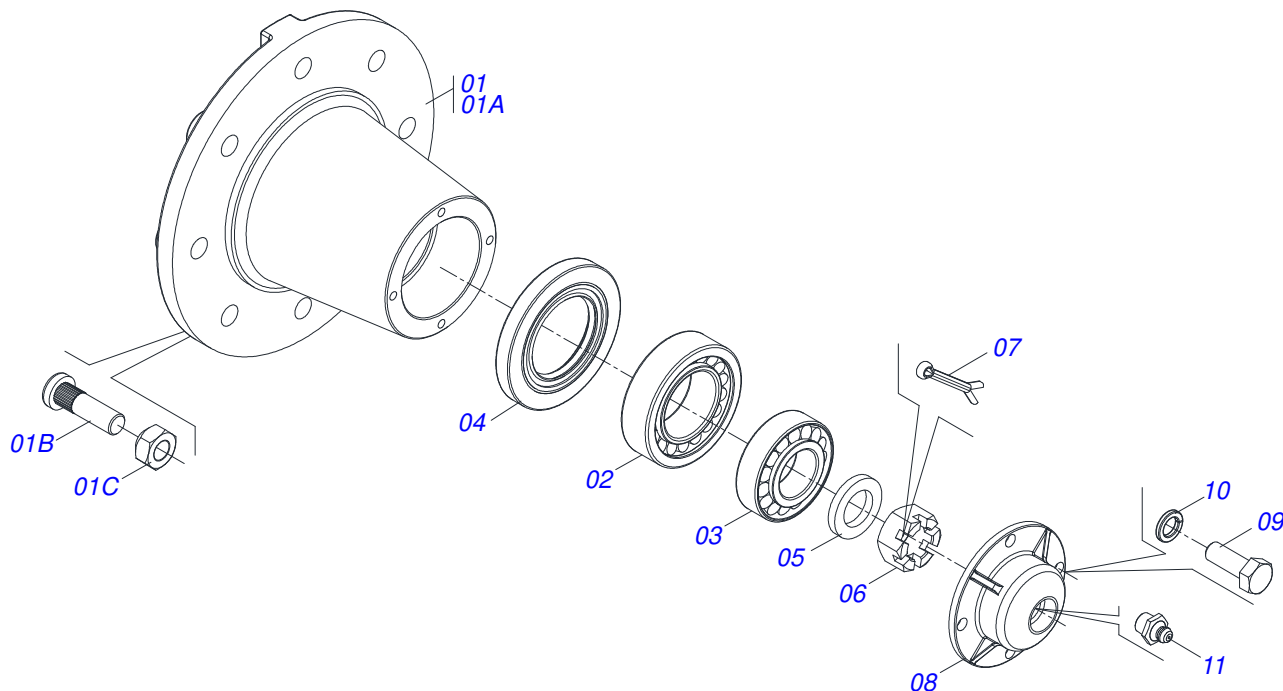
Item	Code	Description	See page	QT
01	0521060221	RIGHT CARRYING-WHEELS SUPPORT		01
02	0501058791	STUB SHAFT & HUB ASSY	7	01



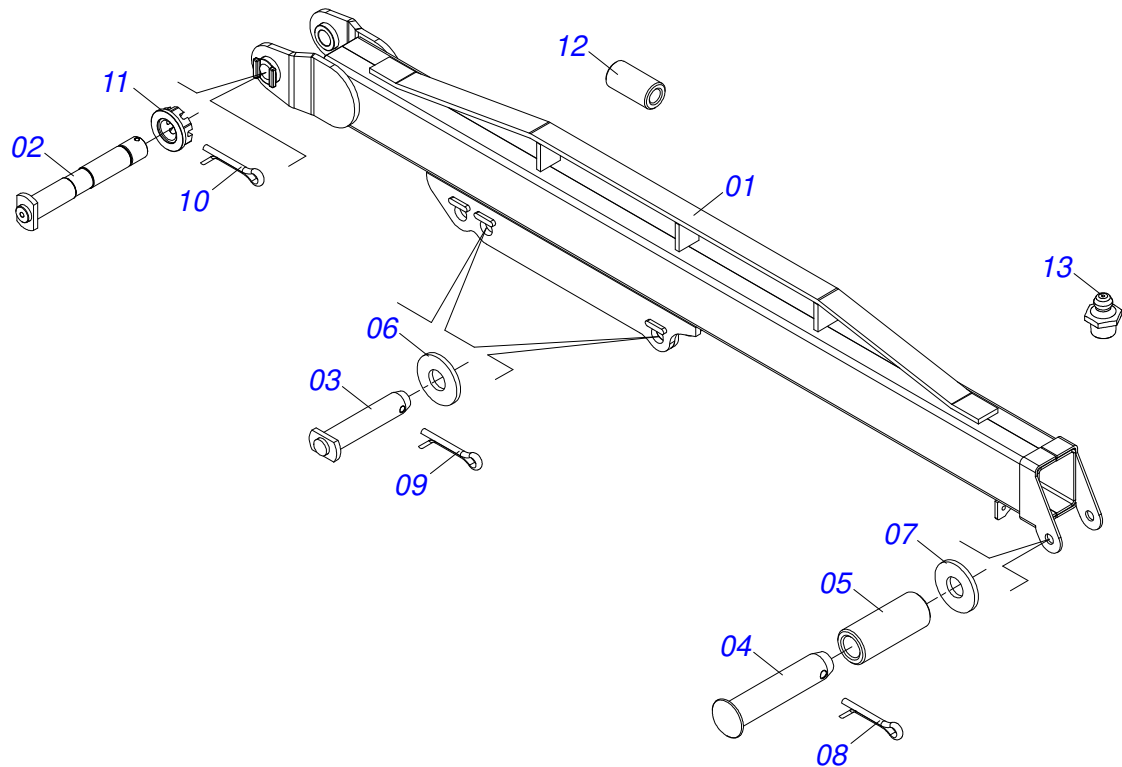
Item	Code	Description	See page	QT
01	0511054564	LEFT WHEEL ARM	6	01
02	0521060212	LEFT ARM		01
03	0503010059	33287/33462 ROLLER BEARING		02
04	0503010050	SEAL 00085-B		01
05	0503012314	2-248 1G05195 O'RING		01
06	0541016926	HUB COVER		01
07	0503010002	1800 GREASE FITTING		02
08	0521064320	LOCK PIN		01
09	0503030012	HITCH PIN CLIP		01
10	0503030978	COMPRES SPRING		01
11	0503010131	3/16" X 1-1/2" COTTERPIN		01
12	0503010073	3/8 X 3-1/2 COTTERPIN		01
13	0502040080	FLANGE NUT R.2.1/2 UN		01



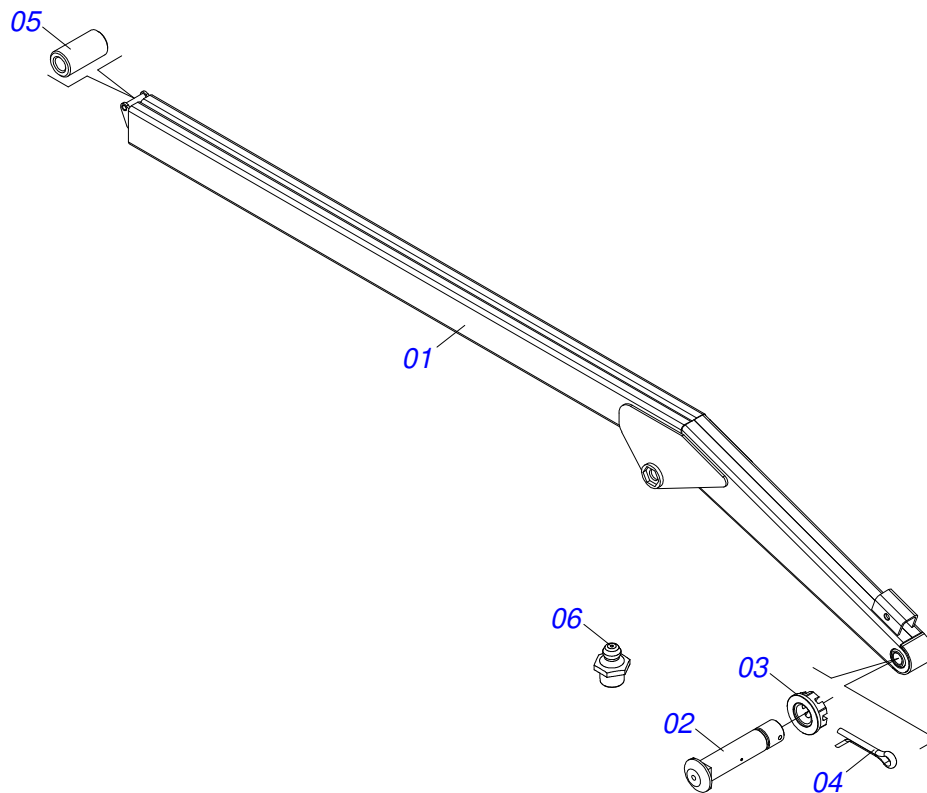
Item	Code	Description	See page	QT
01	0521060219	LEFT CARRYING-WHEELS SUPPORT		01
02	0501058791	STUB SHAFT & HUB ASSY	7	01



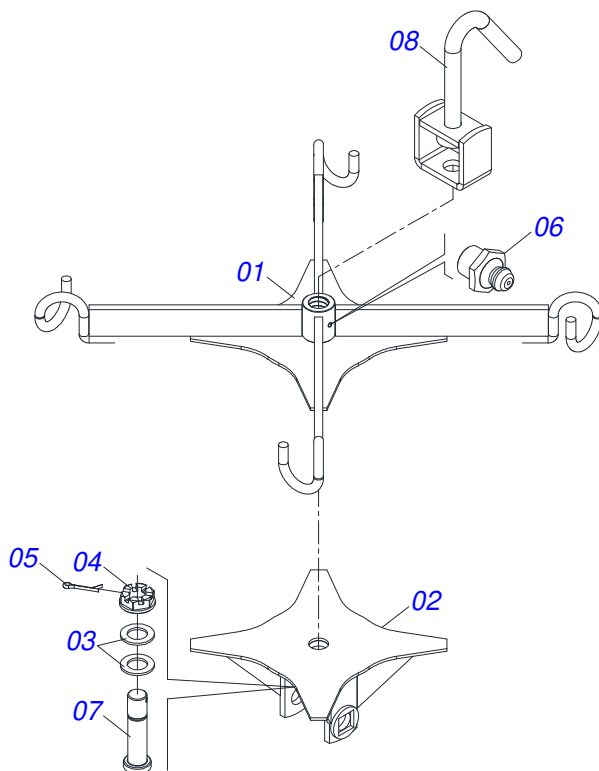
Item	Code	Description	See page	QT
01	0501110738	CARRYING WHEEL HUB		01
01A	0502012260	TRANSPORT WHEEL BOX		01
01B	0501010186	WHEEL SCREW 5/8UNF X 2.1/8CR		08
01C	0503010064	5/8 UNF CONIC NUT		08
02	0503010008	3780/3720 ROLLER BEARING		01
03	0503011156	ROLAMENTO 2780/2720 IMP		01
04	0503013314	RETAINER 5166-GB 63,5 X 110 X 13 ARCA		01
05	0511012492	FLAT WASHER		01
06	0503030009	1" CASTLE NUT		01
07	0503010018	5/32 X 1-1/2 COTTERPIN		01
08	0502020591	PROTECCION COVER		01
09	0503010358	5/16" X 5/8" BOLT		04
10	0503011444	SPRING WASHER		04
11	0503010002	1800 GREASE FITTING		01
12	1882970002	GREASE SOAP		0,001 Kg



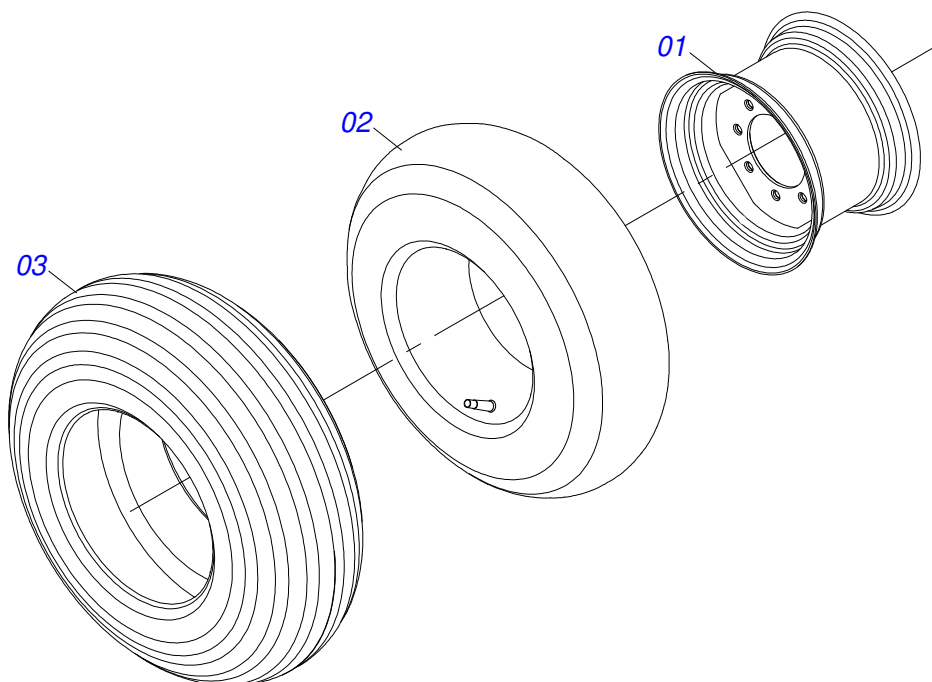
Item	Code	Description	See page	QT
01	0531063921	EXTERNAL BODY TELESCOPIC BOOM		01
02	0521062101	PIVOT SHAFT 38,10 X 251		01
03	0521063226	COUPLING SHAFT		02
04	0521012534	0.9" X 6.1" AXLE		01
05	0501213879	SHEAVE		01
06	0511019685	FLAT WASHER		02
07	0501012916	FLAT WASHER 38,50 X 66 X 4,75 ZN		01
08	0503010571	1/4" X 1.1/2 COTTERPIN		01
09	0503010534	3/8 X 2-1/2 COTTERPIN		02
10	0503010010	1/4" X 2.1/2" COTTERPIN		01
11	0501011301	1.1/2 UNC 6FPP 2.5/16 NUT		01
12	0501213881	SHEAVE LOCK AXLE		01
13	0503010002	1800 GREASE FITTING		02



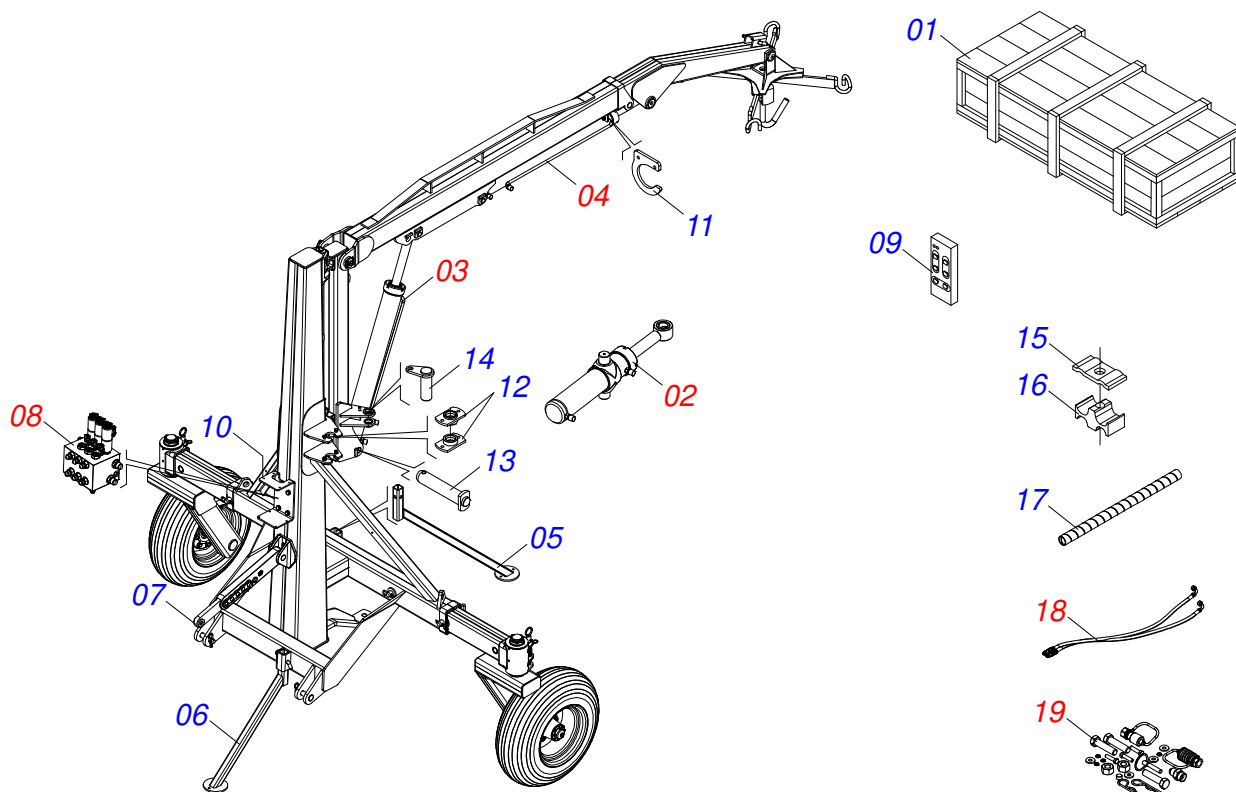
Item	Code	Description	See page	QT
01	0531063924	INTERNAL BODY TELESCOPIC BOOM		01
02	0521012828	1.5" X 6.8" PIVOT SHAFT		01
03	0501011301	1.1/2 UNC 6FPP 2.5/16 NUT		01
04	0503010010	1/4" X 2.1/2" COTTERPIN		01
05	0501213880	MINOR PULLEY		01
06	0503010002	1800 GREASE FITTING		01



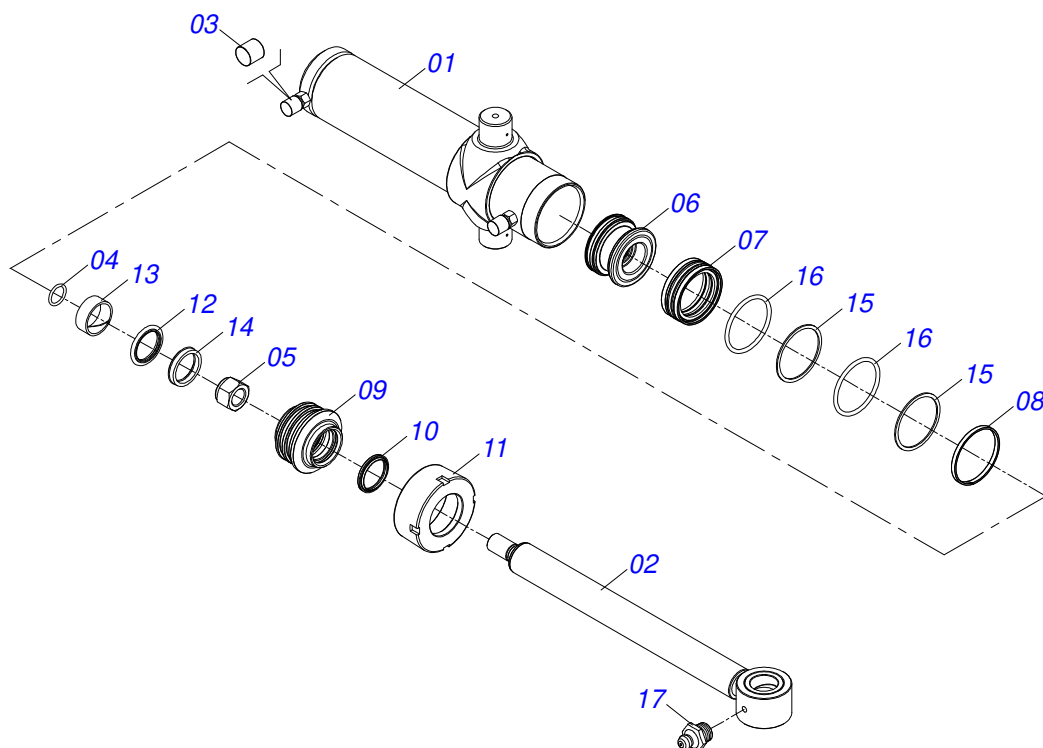
Item	Code	Description	See page	QT
01	0521060235	CROSSPIECE		01
02	0521060317	U COUPLING FOR CROSSPIECE		01
03	0501012916	FLAT WASHER 38,50 X 66 X 4,75 ZN		02
04	0501011301	1.1/2 UNC 6FPP 2.5/16 NUT		01
05	0503010010	1/4" X 2.1/2" COTTERPIN		01
06	0503010002	1800 GREASE FITTING		01
07	0581011022	COUPLING SHAFT		01
08	0521066708	HOOK HITCH		01



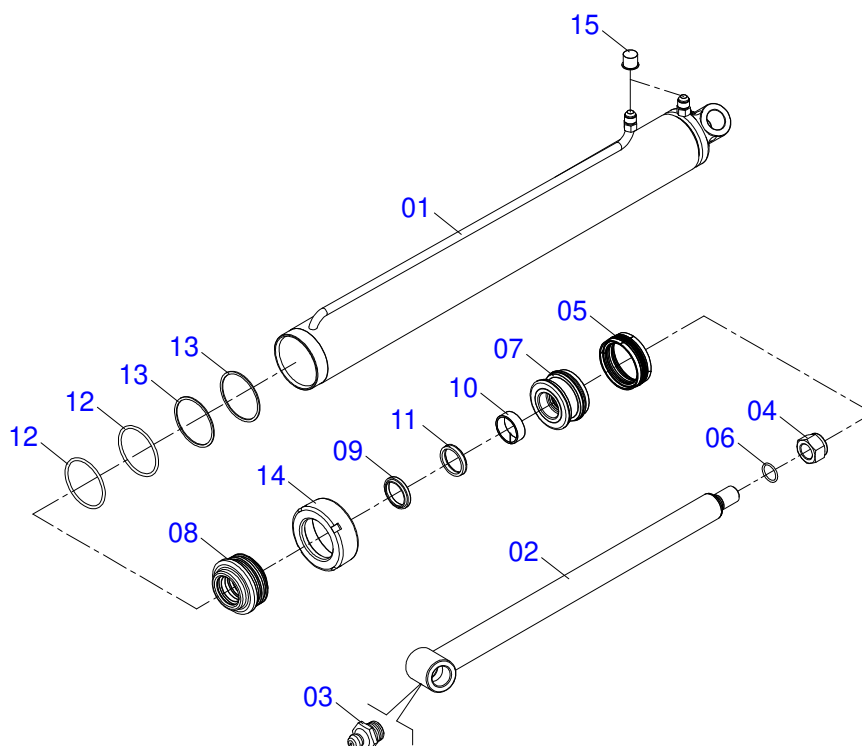
Item	Code	Description	See page	QT
01	0503012108	WHEEL 10 LB X 15 X 8F X 203		01
02	0503010860	AIR CHAMBER 11L 15		01
03	0503010858	CANVAS TIRE		01



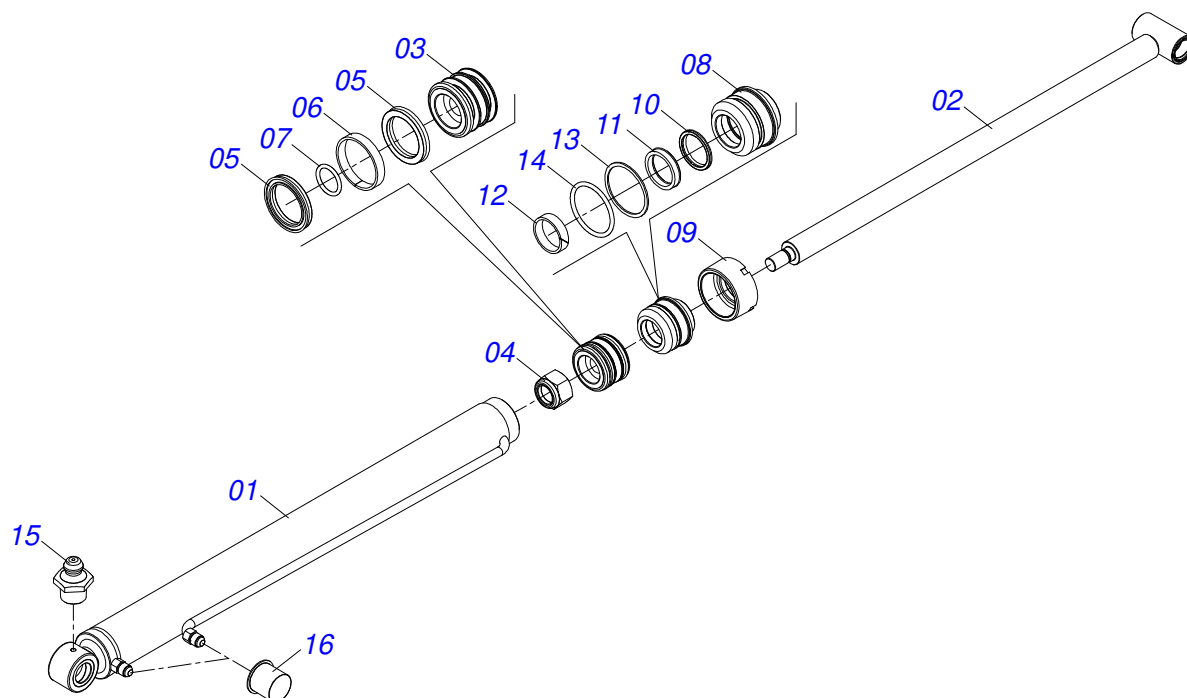
Item	Code	Description	See page	QT
01	0501100012	WOODEN BOX 1700X470X500		01
02	0511058445	HYDRAULIC CYLINDER 44,45X85,7X205X322	13	01
03	0511058407	HYDRAULIC CYLINDER 50,8X101,6X1139X883	14	01
04	0531054984	HYDRAULIC CYLINDER 44,45X76,20X1453X1000	15	01
05	0521064328	PLOUGH SUPPORT		01
06	0521060304	PLOUGH SUPPORT FRONT		01
07	0521040658	ADJUSTMENT BAR		01
08	0531055094	CYLINDER ACTIVATION CONTROL VALVE ASSY	16	01
09	0503063720	REMOTE CONTROL KIT		01
10	0501213882	FIXING PLATE		01
11	0501213883	HYDRAULIC CYLINDER SUPPORT		01
12	0511061810	HYDRAULIC CYLINDER FIXING FLANGE		02
13	0521063227	COUPLING SHAFT		01
14	0521062127	PIVOT SHAFT		01
15	0531011180	UPPER BODY CLIP		07
16	0502012701	LOWER BODY CLIP		07
17	0581010090	SPRING PROTECTION PLASTIC HOSE		04
18	0531054998	HOSE SET	17	01
19	0511034357	PACKED PARTS	18	01



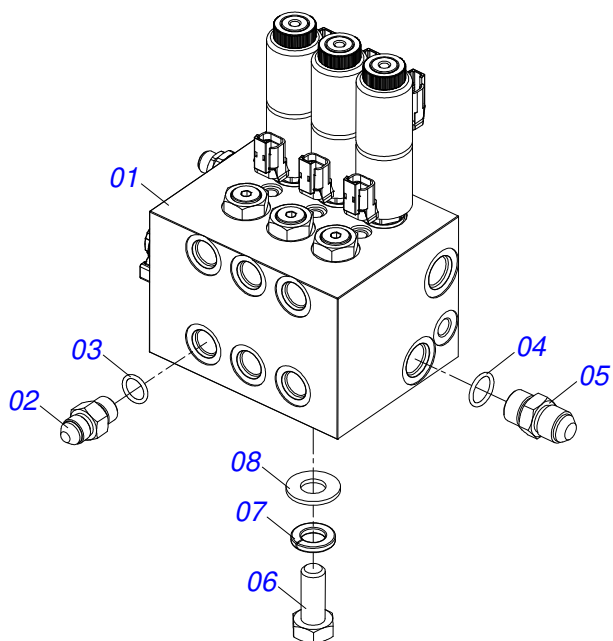
Item	Code	Description	See page	QT
001	0521061771	CYLINDER CASE		01
002	0521061770	44,45 X 517 ROD		01
003	0503030385	CYLINDER PLUG N-002		02
004	0503010042	2-214 N 3006-9B O'RING		01
005	0503010063	1" SELF-ALIGNING NUT		01
006	0571019710	1.7" X 3.4" PISTON		01
007	0503017935	RING		01
008	0503018144	RING		01
009	0571019711	RING SUPPORT		01
010	0503010761	D-1750 SCRAPER RING		01
011	0571019709	DETACHABLE COVER		01
012	0503017936	RING		01
013	0503017938	RING GUIDE		01
014	0503017937	GASKET		01
015	0503017940	8-337 BACK-UP RING		02
016	0503017939	2-337 N 3006-9B O' RING		02
017	0503010002	1800 GREASE FITTING		01



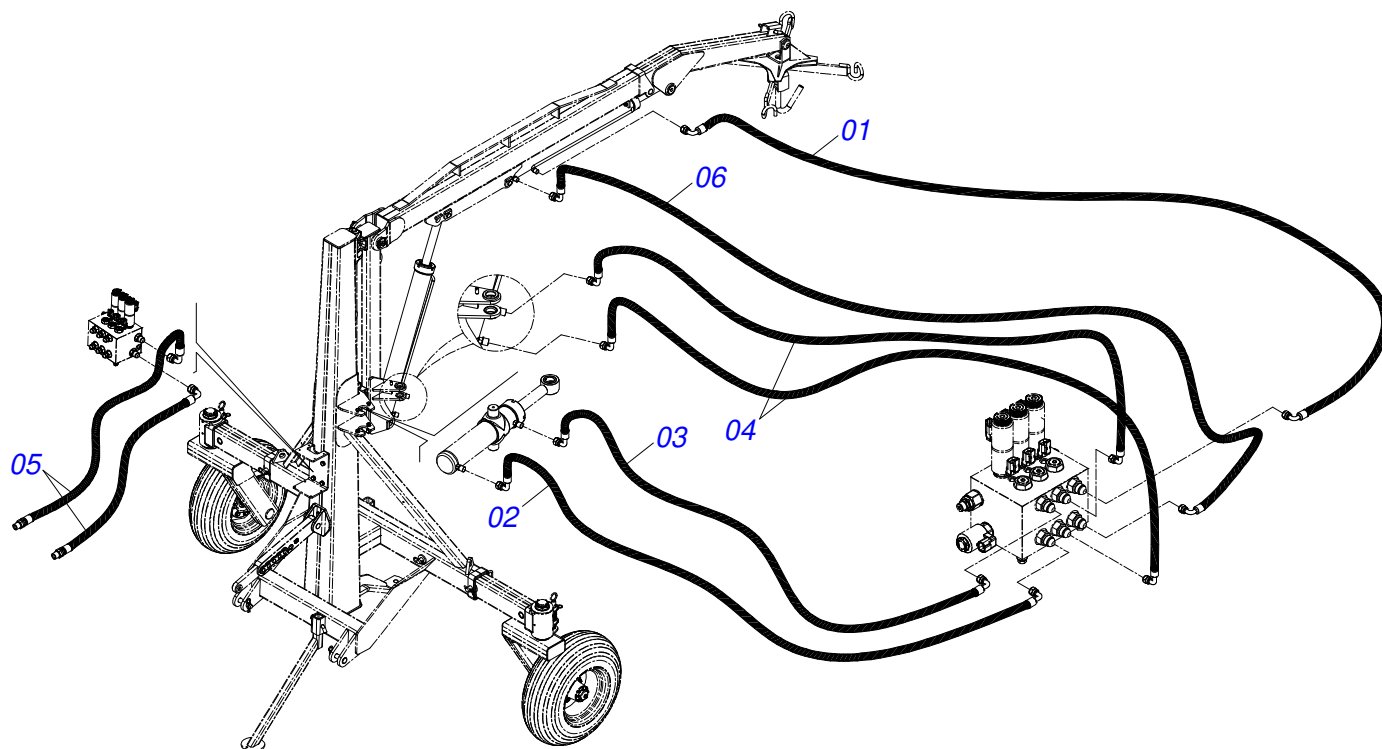
Item	Code	Description	See page	QT
001	0521061768	101,6 X 1056 CYLINDER CASE		01
002	0521061769	50,8 X 1088 ROD		01
003	0503010002	1800 GREASE FITTING		02
004	0503010817	1.1/4" SELF LOCKING NUT		01
005	0503015633	SELEMASTER SEALING		01
006	0503010345	2-218 N 3006-9B O'RING		01
007	0502012842	50,80 X 101,60 PISTON		01
008	0581010678	50,80 X 101 RING SUPPORT		01
009	0503015636	SCRAPER SEAL		01
010	0503018025	RING GUIDE		01
011	0503018026	1870-2000-375 B GASKET		01
012	0503010338	2-342 N 3006-9B O'RING		02
013	0503011061	8-342 BACK-UP RING		02
014	0502012822	101.60 END CAP		01
015	0503030387	PLUG		02



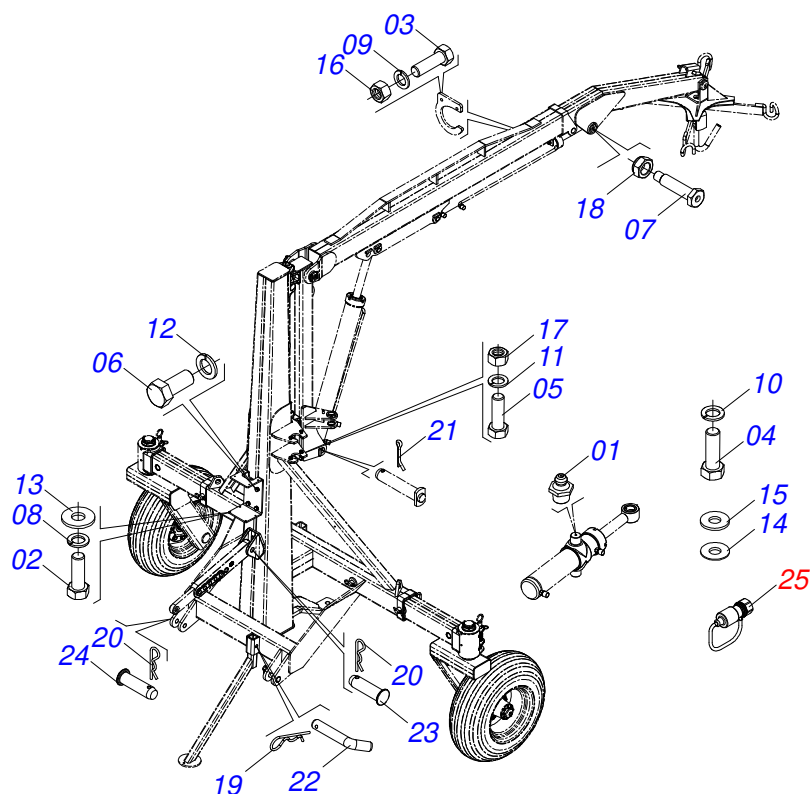
Item	Code	Description	See page	QT
01	0531063928	CASE 76,1 X 1176,5		01
02	0531063930	ROD 44,45 X 1390,5		01
03	0502011898	1.8" X 3.0" PISTON		01
04	0503010063	1" SELF-ALIGNING NUT		01
05	0503012768	3750-2250 GASKET		02
06	0503010992	W2-3000-500 PK RING G.E		01
07	0503010042	2-214 N 3006-9B O'RING		01
08	0502011897	RING SUPPORT		01
09	0502011899	MOBILE COVER		01
10	0503010761	D-1750 SCRAPER RING		01
11	0503010990	GASKET		01
12	0503010949	W2-2000-500 PK RING G.E		01
13	0503011059	8-334 BACK-UP RING		01
14	0503010343	2-334 N 3006-9B O'RING		01
15	0503010002	1800 GREASE FITTING		01
16	0503030387	PLUG		02



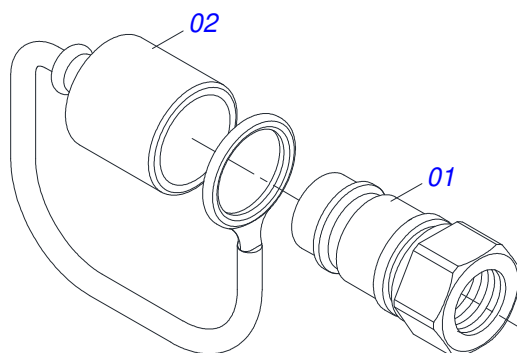
Item	Code	Description	See page	QT
01	0503063747	CYLINDER ACTIVATION BLOCK		01
02	0501010617	3/4" NIPPLE		06
03	0503010190	2-114 N 3006-9B O'RING		06
04	0503010045	O'RING		02
05	0501010590	NIPPLE		02
06	0503014472	M8X1,25X20 CS 8.8 1K19780 ZN BOLT		04
07	0503014371	M8 SPRING WASHER		04
08	0501010694	FLAT WASHER		04



Item	Code	Description	See page	QT
01	0501080938	1/2 X 3800 TC-TC HOSE		01
02	0501080685	HOSE 1/2 X 1700 TC-TC		01
03	0501080623	HOSE 1/2 X 2000 TC-TC		01
04	0501080270	HOSE 1/2 X 2200 TC-TC		02
05	0501080097	HOSE 1/2 X 2500 TC-TM		02
06	0501080798	HOSE 1/2 X 3700 TC-TC		01



Item	Code	Description	See page	QT
01	0503010002	1800 GREASE FITTING		03
02	0503014472	M8X1,25X20 CS 8.8 1K19780 ZN BOLT		04
03	0503010751	C3/8" X 1.1/4" HEX BOLT G.5		02
04	0503011102	BOLT 7/16 UNC X 1.1/4 C S G.5 ZN		07
05	0503010920	1/2 UNC X 1.1/2 C S G.5 ZN BOLT		04
06	0503010962	5/8" X 1-1/4" BOLT		04
07	0571018245	1.1/4" UNF X 139 BOLT		01
08	0503014371	M8 SPRING WASHER		04
09	0503010025	3/8" SPRING WASHER		02
10	0503010180	7/16" SPRING WASHER		07
11	0503010019	1/2" SPRING WASHER		04
12	0503010027	5/8" SPRING WASHER		04
13	0501010694	FLAT WASHER		04
14	0511019685	FLAT WASHER		01
15	0501212953	FLAT WASHER 39 X 60 X 3		01
16	0503010026	3/8" NUT		02
17	0503010060	1/2 UNC G.5 ZN HEX NUT		04
18	0503010044	1-1/4" SELF LOCKING NUT		01
19	0503030012	HITCH PIN CLIP		02
20	0503031035	HITCH PIN CLIP		03
21	0503010534	3/8 X 2-1/2 COTTERPIN		01
22	0501011075	PIN		02
23	0521010579	COUPLING SHAFT		01
24	0521010596	COUPLING SHAFT		02
25	0501053834	MALE QUICK COUPLER	19	02



Item	Code	Description	See page	QT
01	0503011627	MALE QUICK COUPLER AGR 1/2 NPT		01
02	0503011882	MALE QUICK COUPLER CAP		01



MARCHESAN

Technical Publications | Elaboration and Revision

ALESSANDRA PATRICIA KAWAHARA CARRILI

www.marchesan.com.br

