

HINGE TYPE OFFSET DISK HARROW

GNFM 36/40/44/48/52/56/60/64/68/72D

Code: 0501093383
Series: S-1101
Revision: 00
Revision Date: OUTUBRO/2023

PARTS CATALOGUE



MARCHESAN



PRODUCTS

Code	Description
0102330047	GNFM 36 X 20 X 3,50 CM S-1101
0102330049	GNFM 36 X 20 X 3,50 DM S-1101
0102330045	GNFM 36 X 20 X 3,50 MA S-1101
0102330048	GNFM 36 X 22 X 3,50 CM S-1101
0102330050	GNFM 36 X 22 X 3,50 DM S-1101
0102330017	GNFM 36 X 22 X 3,50 DM DR S-1101
0102330046	GNFM 36 X 22 X 3,50 MA S-1101
0102330016	GNFM 36 X 22 X 4,50 DM S-1101
0102330053	GNFM 40 X 20 X 3,50 CM S-1101
0102330055	GNFM 40 X 20 X 3,50 DM S-1101
0102330051	GNFM 40 X 20 X 3,50 MA S-1101
0102330234	GNFM 40 X 20 X 4,00 DM S-1101
0102330054	GNFM 40 X 22 X 3,50 CM S-1101
0102330056	GNFM 40 X 22 X 3,50 DM S-1101
0102330038	GNFM 40 X 22 X 3,50 DM DR S-1101
0102330052	GNFM 40 X 22 X 3,50 MA S-1101
0102330007	GNFM 40 X 22 X 4,50 DM S-1101
0102330059	GNFM 44 X 20 X 3,50 CM S-1101
0102330061	GNFM 44 X 20 X 3,50 DM S-1101
0102330057	GNFM 44 X 20 X 3,50 MA S-1101
0102330060	GNFM 44 X 22 X 3,50 CM S-1101
0102330062	GNFM 44 X 22 X 3,50 DM S-1101
0102330391	GNFM 44 X 22 X 3,50 DM DR S-1101
0102330058	GNFM 44 X 22 X 3,50 MA S-1101
0102330243	GNFM 44 X 22 X 4,50 DM S-1101
0102330063	GNFM 48 X 20 X 3,50 MA S-1101
0102330064	GNFM 48 X 22 X 3,50 MA S-1101
0102330247	GNFM 48 X 22 X 4,00 DM S-1101
0102330071	GNFM 52 X 20 X 3,50 CM S-1101
0102330073	GNFM 52 X 20 X 3,50 DM S-1101

ATTENTION: IMPORTANT

Marchesan S.A. reserves the right to improve and/or modify the technical features of its products, without obligation to do the same with those products already sold and without prior knowledge of the dealer or the customer. The photos are only illustrative.



PRODUCTS

0102330069	GNFM 52 X 20 X 3,50 MA	S-1101
0102330072	GNFM 52 X 22 X 3,50 CM	S-1101
0102330396	GNFM 52 X 22 X 3,50 CM DR	S-1101
0102330074	GNFM 52 X 22 X 3,50 DM	S-1101
0102330395	GNFM 52 X 22 X 3,50 DM DR	S-1101
0102330070	GNFM 52 X 22 X 3,50 MA	S-1101
0102330169	GNFM 52 X 22 X 4,5 DM	S-1101
0102330244	GNFM 52 X 22 X 4,50 DM	S-1101
0102330077	GNFM 56 X 20 X 3,50 CM	S-1101
0102330079	GNFM 56 X 20 X 3,50 DM	S-1101
0102330075	GNFM 56 X 20 X 3,50 MA	S-1101
0102330078	GNFM 56 X 22 X 3,50 CM	S-1101
0102330080	GNFM 56 X 22 X 3,50 DM	S-1101
0102330076	GNFM 56 X 22 X 3,50 MA	S-1101
0102330174	GNFM 56 X 22 X 4,50X3,50 DM	S-1101
0102330083	GNFM 60 X 20 X 3,50 CM	S-1101
0102330085	GNFM 60 X 20 X 3,50 DM	S-1101
0102330081	GNFM 60 X 20 X 3,50 MA	S-1101
0102330084	GNFM 60 X 22 X 3,50 CM	S-1101
0102330086	GNFM 60 X 22 X 3,50 DM	S-1101
0102330393	GNFM 60 X 22 X 3,50 DM DR	S-1101
0102330178	GNFM 60 X 22 X 4,50 DM	S-1101
0102330089	GNFM 64 X 20 X 3,50 CM	S-1101
0102330091	GNFM 64 X 20 X 3,50 DM	S-1101
0102330087	GNFM 64 X 20 X 3,50 MA	S-1101
0102330090	GNFM 64 X 22 X 3,50 CM	S-1101
0102330092	GNFM 64 X 22 X 3,50 DM	S-1101
0102330088	GNFM 64 X 22 X 3,50 MA	S-1101
0102330180	GNFM 64 X 22 X 4,50 CM	S-1101
0102330182	GNFM 64 X 22 X 4,50 DM	S-1101
0102330095	GNFM 68 X 20 X 3,50 CM	S-1101

ATTENTION: IMPORTANT

Marchesan S.A. reserves the right to improve and/or modify the technical features of its products, without obligation to do the same with those products already sold and without prior knowledge of the dealer or the customer. The photos are only illustrative.



PRODUCTS

0102330097	GNFM 68 X 20 X 3,50 DM	S-1101
0102330093	GNFM 68 X 20 X 3,50 MA	S-1101
0102330096	GNFM 68 X 22 X 3,50 CM	S-1101
0102330098	GNFM 68 X 22 X 3,50 DM	S-1101
0102330094	GNFM 68 X 22 X 3,50 MA	S-1101
0102330184	GNFM 68 X 22 X 4,50 CM	S-1101
0102330186	GNFM 68 X 22 X 4,50 DM	S-1101
0102330033	GNFM 72 S/DISCOS DM	S-1101
0102330101	GNFM 72 X 20 X 3,50 CM	S-1101
0102330103	GNFM 72 X 20 X 3,50 DM	S-1101
0102330099	GNFM 72 X 20 X 3,50 MA	S-1101
0102330241	GNFM 72 X 20 X 4,50 DM	S-1101
0102330102	GNFM 72 X 22 X 3,50 CM	S-1101
0102330104	GNFM 72 X 22 X 3,50 DM	S-1101
0102330100	GNFM 72 X 22 X 3,50 MA	S-1101
0102330238	GNFM 72 X 22 X 4,5 DM	S-1101
0102330188	GNFM 72 X 22 X 4,50X3,50 CM	S-1101
0102330190	GNFM 72 X 22 X 4,50X3,50 DM	S-1101

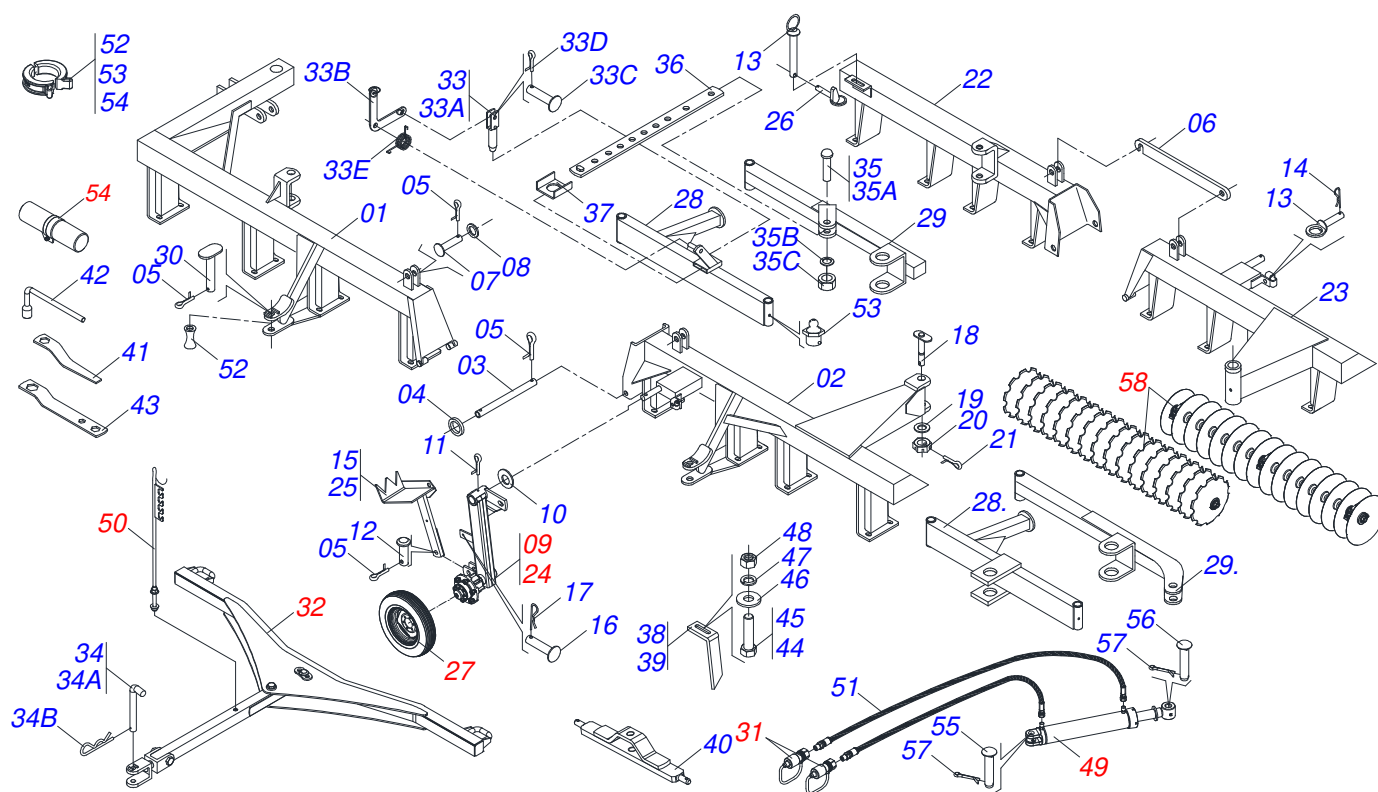
ATTENTION: IMPORTANT

Marchesan S.A. reserves the right to improve and/or modify the technical features of its products, without obligation to do the same with those products already sold and without prior knowledge of the dealer or the customer. The photos are only illustrative.



INDEX

0909090320	ASSY FRAME - 36/40/44/48D	1
0501051638	LEFT STUB SHAFT & HUB ASSY	2
0501051637	RIGHT STUB SHAFT & HUB ASSY	3
0501051142	CARRYING WHEEL HUB	4
0501053834	MALE QUICK COUPLER	5
0503060094	WHEEL AND TIRE ASSY	6
0501043380	DRAWBAR ASSY	7
0501044312	1.7"X3.4"X31"X15" HYDRAULIC CYLINDER	8
0501040257	ASSY 3/4 X 38 HOSE SUPPORT	9
0521053485	ASSY MANUAL CANISTER	10
0909096486	GANG DISC ASSY - 36/40/44/48D	11
0501046922	AGRICULTURAL BEARING DM OL 7 X 1.1/4 IMPLEMENT	12
0501046913	GX 7" 1-1/4" BEARING ASSY	13
0909090338	ASSY FRAME - 52/56/60/64/68/72D	14
0511042712	DRAWBAR ASSY	15
0501047858	ADJUSTMENT LEVER ASSY	16
0909096487	ASSY GANG DISC - 52/56/60/64/68/72D	17



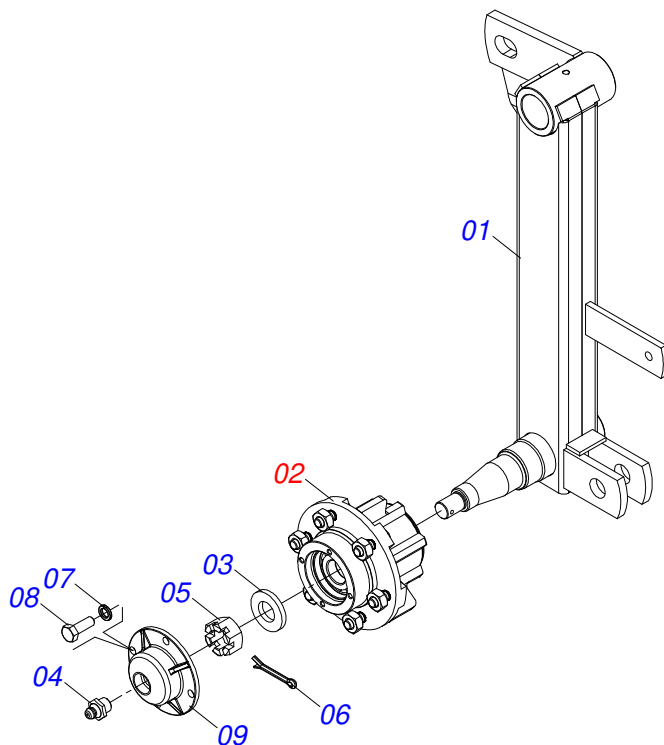
Item	Code	Description	See page	36	40	44	48
01	0511063415	RIGHT FRONT FRAME 36		01	00	00	00
01.	0511063419	RIGHT FRONT FRAME 40		00	01	00	00
01..	0511063423	RIGHT FRONT FRAME 44		00	00	01	00
01...	0511063427	RIGHT FRONT FRAME 48		00	00	00	01
02	0511063420	LEFT FRONT FRAME 36		01	00	00	00
02.	0511063416	LEFT FRONT FRAME 40		00	01	00	00
02..	0511063424	LEFT FRONT FRAME 44		00	00	01	00
02...	0511063428	LEFT FRONT FRAME 48		00	00	00	01
03	0531014377	1.1" X 16.6" COUPLING SHAFT		02	02	02	02
04	0501017779	FLAT WASHER 32 X 60 X 4,75		04	04	04	04
05	0503010571	1/4" X 1.1/2" SPLIT PIN		11	11	11	11
06	0501018941	TRANSPORT LOCK		02	02	02	02
07	0521010592	1.1" X 3.1" COUPLING SHAFT		04	04	04	04
08	0511017480	FLAT WASHER		08	08	08	08
09	0501051638	LEFT STUB SHAFT & HUB ASSY	2	01	01	01	01
10	0501015875	FLAT WASHER		02	02	02	02
11	0503010073	3/8" X 3.1/2" SPLIT PIN		02	02	02	02
12	0521012535	1.1" X 2.7" COUPLING SHAFT		04	06	06	04
13	0521066143	JUNCTION SHAFT		02	02	02	02
14	0503030012	HITCH PIN CLIP		03	03	03	03
15	0501060598	DRAWBAR JACK		01	01	01	01
16	0521010625	0.4" X 2" COUPLING SHAFT		02	02	02	02
17	0503030168	HITCH PIN CLIP		02	02	02	02
18	0531019497	1.5" X 9.2" ARTICULATED AXIS		04	04	04	04
19	0531019540	FLAT WASHER		04	04	04	04
20	0501011301	1.1/2" UNC 6FPP 2.5/16" NUT		04	04	04	04
21	0503010010	SPLIT PIN 1/4" X 2.1/2"		04	04	04	04
22	0511063417	RIGHT REAR FRAME 36		01	00	00	00
22.	0511063421	RIGHT REAR FRAME 40		00	01	00	00
22..	0511063425	RIGHT REAR FRAME 44		00	00	01	00
22...	0511063429	RIGHT REAR FRAME 48		00	00	00	01



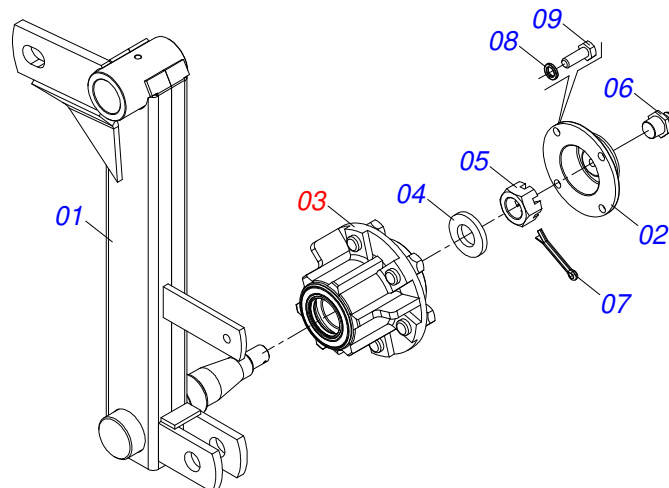
ASSY FRAME - 36/40/44/48D

0909090320

Item	Code	Description	See page	36	40	44	48
23	0511063418	LEFT REAR FRAME 36		01	00	00	00
23.	0511063422	LEFT REAR FRAME 40		00	01	00	00
23..	0511063426	LEFT REAR FRAME 44		00	00	01	00
23...	0511063430	LEFT REAR FRAME 48		00	00	00	01
24	0501051637	RIGHT STUB SHAFT & HUB ASSY	3	01	01	01	01
25	0501060597	RIGHT DRAWBAR JACK		01	01	01	01
26	0503030085	LOCK PIN		01	01	01	01
27	0503060094	WHEEL AND TIRE ASSY	6	02	02	02	02
28	0501064509	FRONT STABILIZER BAR		01	01	01	01
29	0501064508	REAR STABILIZER BAR 1360		01	01	01	01
30	0521010628	25,40 X 105 COUPLING SHAFT		02	02	02	02
31	0501053834	MALE QUICK COUPLER	5	02	02	02	02
32	0501043380	DRAWBAR ASSY	7	01	01	01	01
33	0501040757	ADJUSTMENT LEVER ASSY		01	01	01	01
33A	0501060185	ADJUSTMENT LOCK		01	01	01	01
33B	0501060196	ADJUSTMENT LEVER		01	01	01	01
33C	0501018490	7/16" X 1.5" PIN		01	01	01	01
33D	0503010071	3/16" X 1" SPLIT PIN		02	02	02	02
33E	0503030025	1.4" X 0.2" TORSION SPRING		01	01	01	01
34	0501040343	DRAWBOLT ASSY		01	01	01	01
34A	0501010523	DRAWBOLT		01	01	01	01
34B	0503031035	HITCH PIN CLIP		01	01	01	01
35	0501040852	1" X 4" ASSY BOLT		01	01	01	01
35A	0501010059	1.5/8 NUT		01	01	01	01
35B	0503010012	1" SPRING WASHER		01	01	01	01
35C	0503011432	BOLT		01	01	01	01
36	0501064197	ADJUSTMENT BAR		01	01	01	01
37	0501011649	U 1.2" X 3.1" X 3/16" BAR		01	01	01	01
38	0501063963	FRONT SCRAPER		11	13	13	15
39	0501063962	REAR SCRAPER		11	13	13	15
40	0501018990	BAR FOR TRANSPORT		01	01	01	01
41	0501010198	1-1/4" CABLE FLAT WRENCH		02	02	02	02
42	0501068273	5/8" WRENCH		01	01	01	01
43	0511018451	5/8" X 3/4" X 1" UNIVERSAL		01	01	01	01
44	0503010395	1/2" X 1-1/4" BOLT		08	16	16	16
45	0503011082	C1/2" X 1.3/4" SCREW		44	68	68	68
46	0511017302	FLAT WASHER 13,50 X 32,50 X 3,0 ZN		68	68	68	68
47	0503010019	1/2" SPRING WASHER		52	84	84	84
48	0503010060	1/2 UNC G.5 ZN HEX NUT		52	84	84	84
49	0501044312	1.7"X3.4"X31"X15" HYDRAULIC CYLINDER	8	01	01	01	01
50	0501040257	ASSY 3/4 X 38 HOSE SUPPORT	9	01	01	01	01
51	0501080363	3/8" X 177" TR-TM HOSE		02	02	02	02
52	0502040147	REEL		02	02	02	02
53	0503010002	1800 GREASE FITTING		07	07	07	07
54	0521053485	ASSY MANUAL CANISTER	10	01	01	01	01
55	0521013077	1.2" X 5.7" PIVOT SHAFT		01	01	01	01
56	0521010571	COUPLING SHAFT		01	01	01	01
57	0503010523	1/4" X 2" SPLIT PIN		02	02	02	02
58	0909096486	GANG DISC ASSY - 36/40/44/48D	11	01	01	01	01

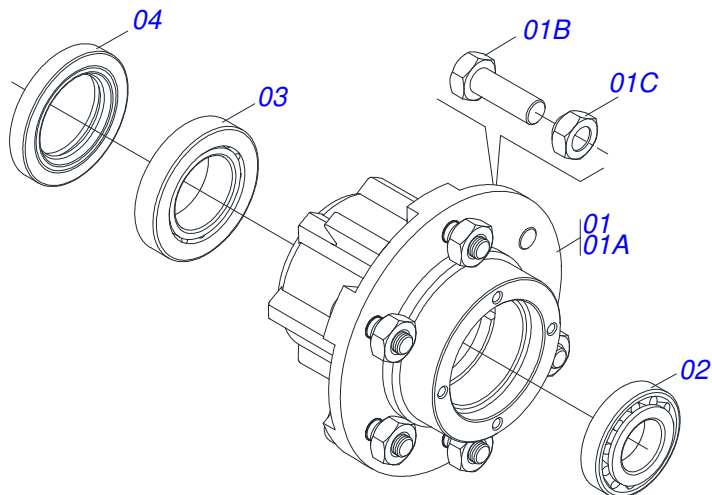


Item	Code	Description	See page	QT
01	0501069091	LEFT CARRYING-W FIXATION SUPPORT		01
02	0501051142	CARRYING WHEEL HUB	4	01
03	0501016545	FLAT WASHER		01
04	0503010002	1800 GREASE FITTING		01
05	0503030009	1" CASTLE NUT		01
06	0503010018	5/32" X 1-1/2" SPLIT PIN		01
07	0503011444	SPRING WASHER 5/16"		04
08	0503010358	5/16" X 5/8" BOLT		04
09	0502020591	PROTECCION COVER		01

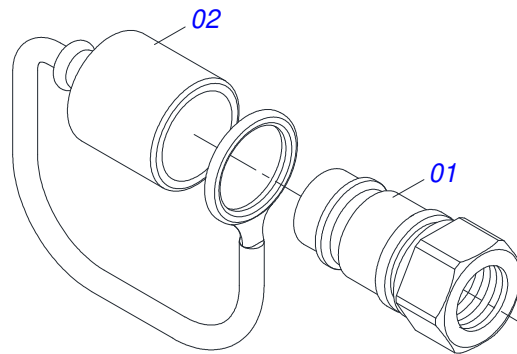


Item	Code	Description	See page	QT
01	0501068991	RIG CARRYING-WHEEL FIXATION SUPPORT		01
02	0502020591	PROTECCION COVER		01
03	0501051142	CARRYING WHEEL HUB	4	01
04	0501016545	FLAT WASHER		01
05	0503030009	1" CASTLE NUT		01
06	0503010002	1800 GREASE FITTING		01
07	0503010018	5/32" X 1-1/2" SPLIT PIN		01
08	0503011444	SPRING WASHER 5/16"		04
09	0503010358	5/16" X 5/8" BOLT		04

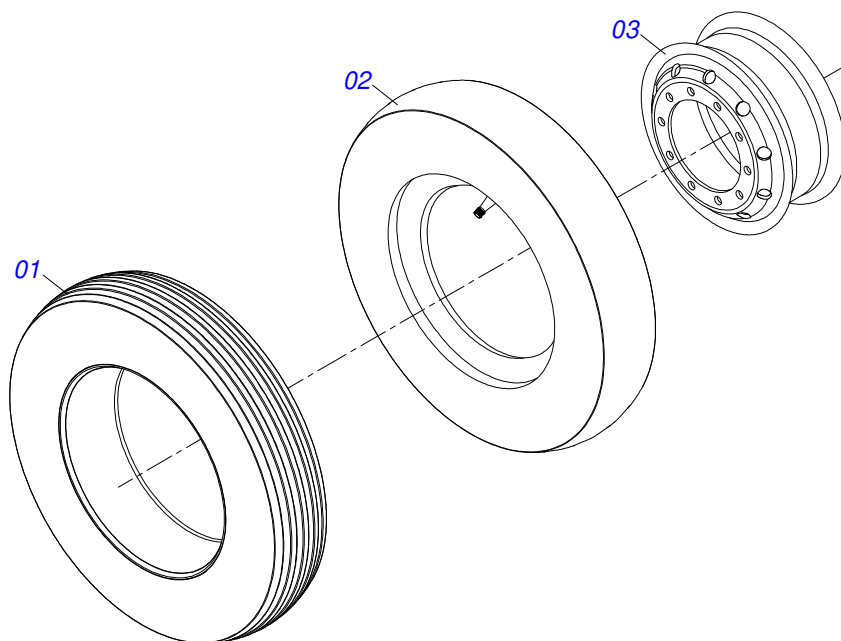
CARRYING WHEEL HUB



Item	Code	Description	See page	QT
01	0501110728	WHEEL HUB		01
01A	0502011121	CARRYING WHEEL HUB		01
01B	0501010127	9/16" X 1-7/8" LUG BOLT		06
01C	0503010035	9/16" CONIC NUT		06
02	0503010037	30207 ROLLER BEARING		01
03	0503010006	32210 ROLLER BEARING		01
04	0503012928	SEAL		01

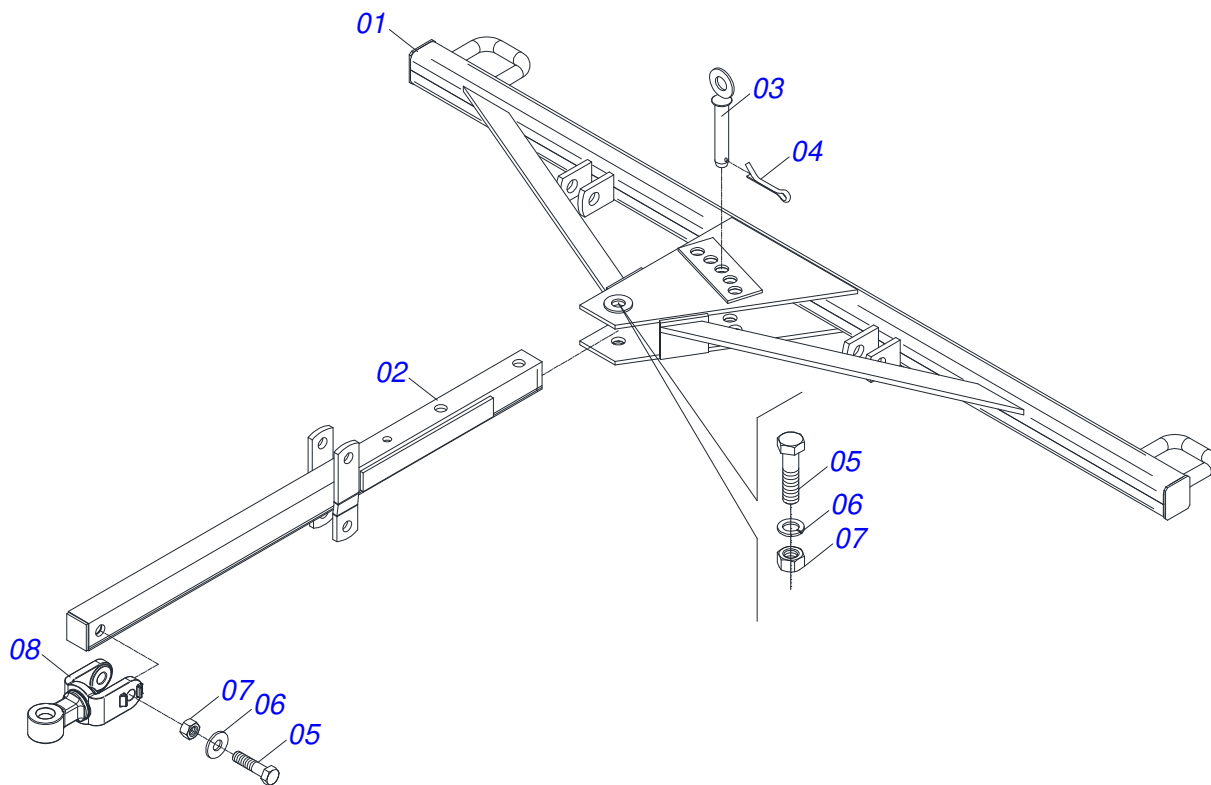


Item	Code	Description	See page	QT
01	0503011627	MALE QUICK COUPLER AGR 1/2 NPT		01
02	0503011882	MALE QUICK COUPLER CAP		01

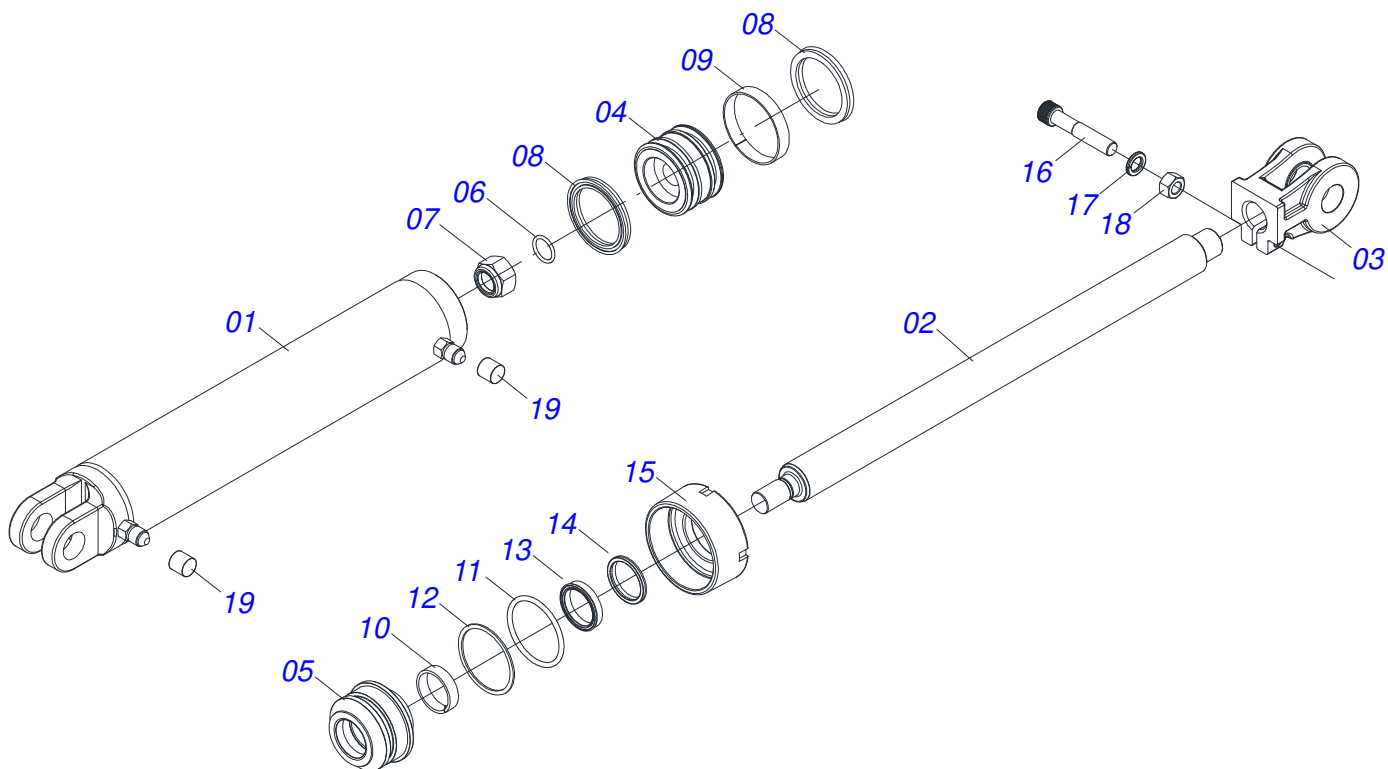


Item	Code	Description	See page	QT
01	0503010065	CANVAS TIRE		01
02	0503010068	6.00 X 16 INNER TIRE		01
03	0503010894	0.2"X0.6"X4.6"X6F0.6"X6" WHEEL		01

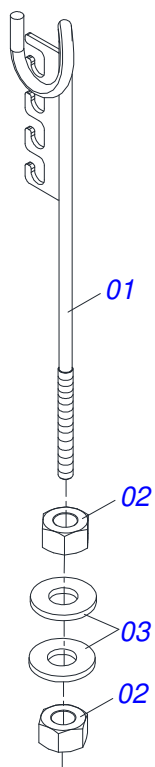
DRAWBAR ASSY



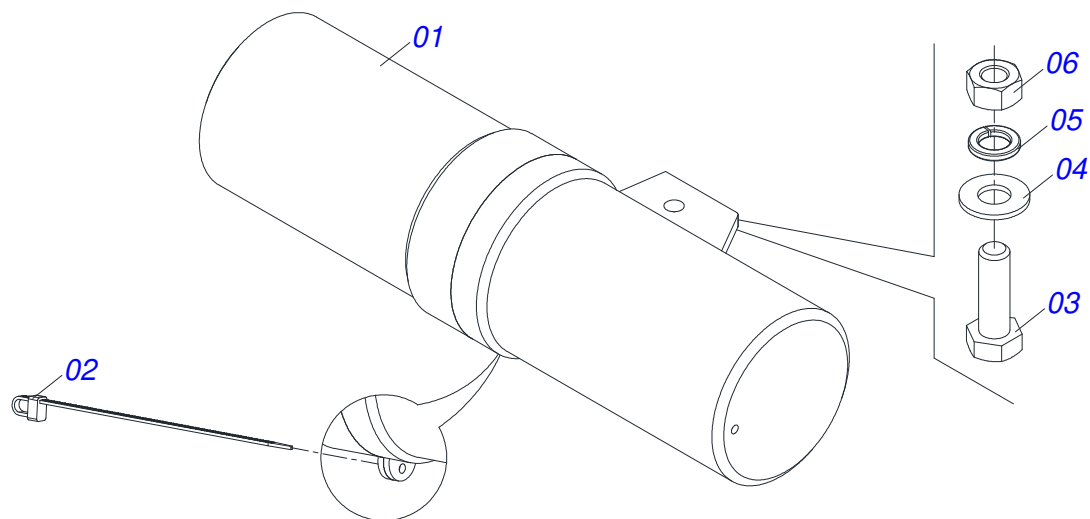
Item	Code	Description	See page	QT
01	0501064763	OFFSET BAR FOR TRANSPORT		01
02	0501064878	DRAWBAR ASSY		01
03	0501068993	0.9" X 5.5" COUPLING SHAFT		01
04	0503010523	1/4" X 2" SPLIT PIN		01
05	0501010372	1" X 5-1/2" BOLT		02
06	0503011438	SPRING WASHER		02
07	0501010059	1.5/8 NUT		02
08	0521062444	TRACTOR HITCH		01



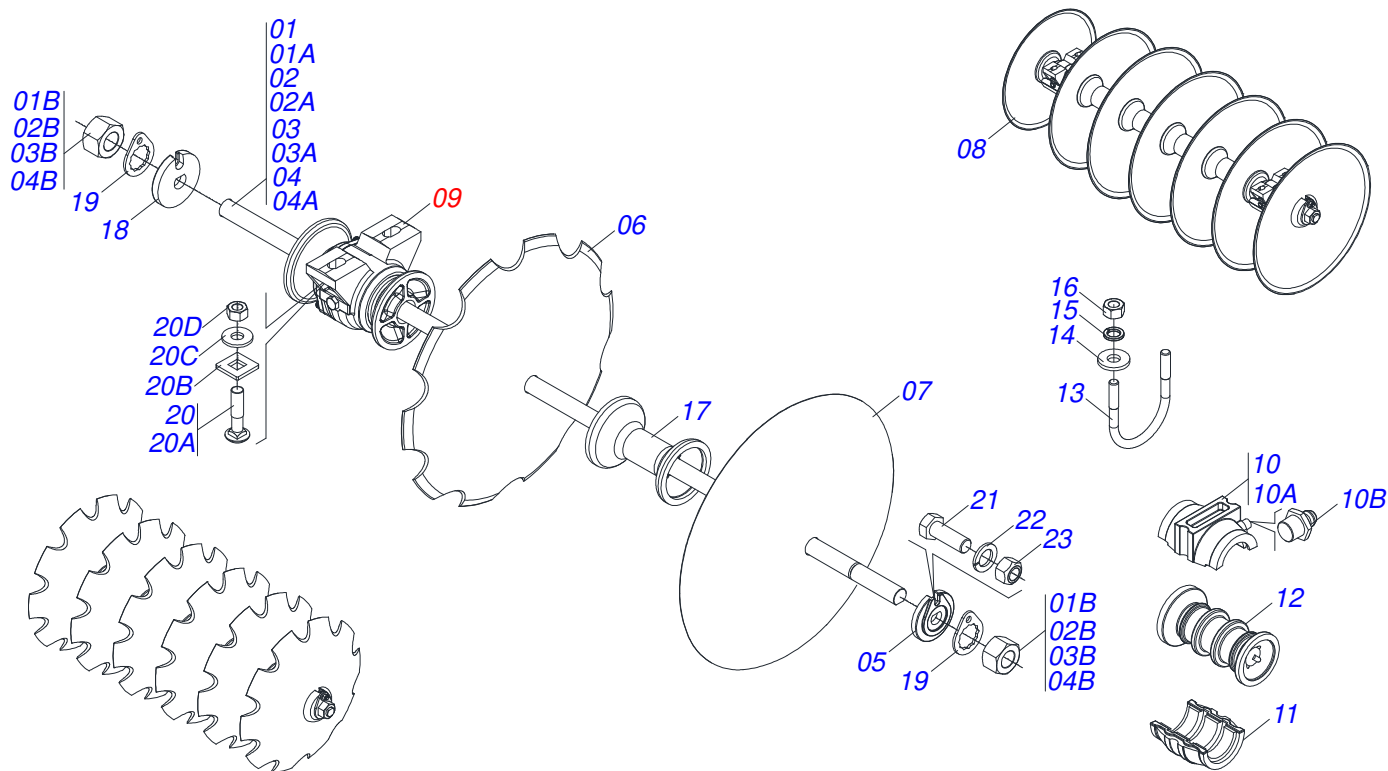
Item	Code	Description	See page	QT
001	0501069010	4" X 7.1" BODY		01
002	0511013609	1.7" X 27" TURNBUCLE		01
003	0502040747	32.54 CLEVIS CLAMP		01
004	0502010843	1.8" X 3.4" PISTON		01
005	0502010781	RING SUPPORT		01
006	0503010042	2-214 N 3006-9B O'RING		01
007	0503010063	1" SELF-ALIGNING NUT		01
008	0503010170	PACKING 3120 2750		02
009	0503010948	W4-3346-590 PK RING G.E		01
010	0503010949	W2-2000-500 PK RING G.E		01
011	0503010976	2-336 N 3006-9B O'RING		01
012	0503011060	8-336 BACK-UP RING		01
013	0503010990	GASKET		01
014	0503010761	D-1750 SCRAPER RING		01
015	0502010993	MOBILE LID		01
016	0503011094	BOLT 3/8" UNC X 2" C C S I 12.9		01
017	0503010025	3/8 SPRING WASHER		01
018	0503010026	3/8" NUT		01
019	0503030385	CYLINDER PLUG N-002		02



Item	Code	Description	See page	QT
01	0511067334	HOSE SUPPORT		01
02	0503010014	3/4" HEX NUT		02
03	0501010322	FLAT WASHER		02



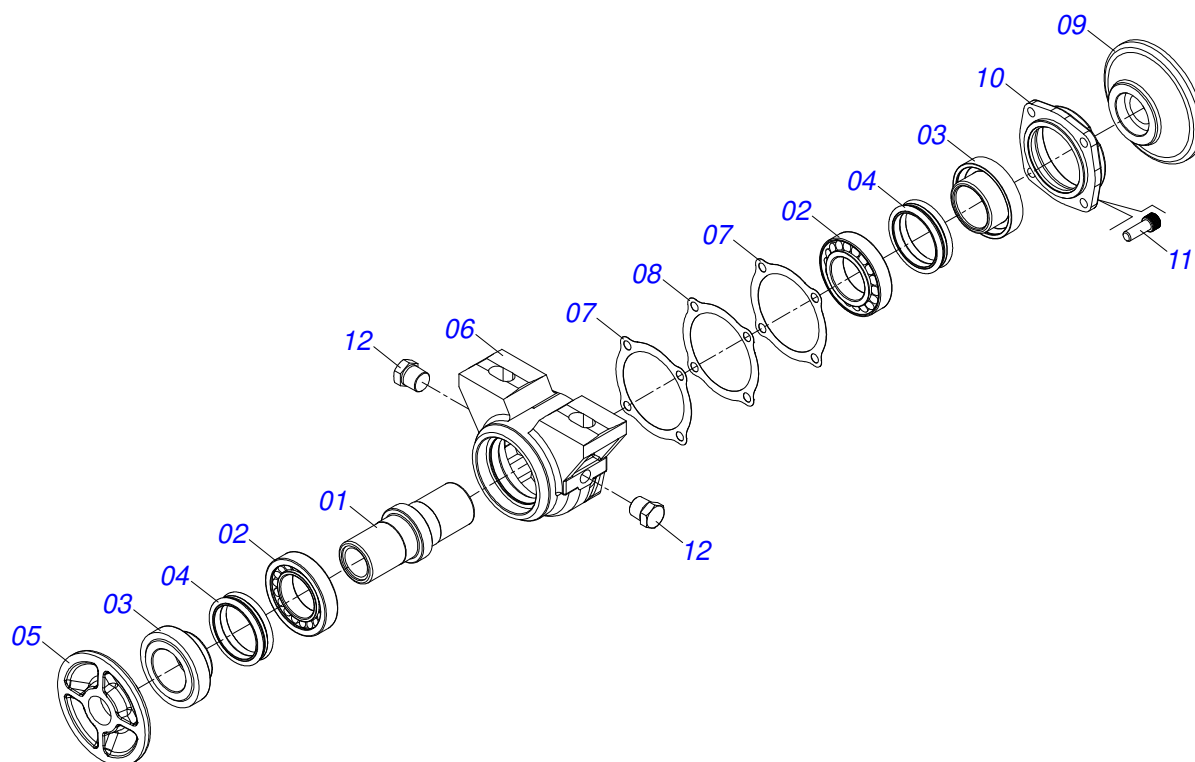
Item	Code	Description	See page	QT
01	0503060100	SUPPORT INSTRUCTION MANUAL		01
02	0503010267	NYLON CLAMP 3,60 X 1,3 X 155 MM		01
03	0503010363	BOLT 5/16 UNC X 1 C S G.2 ZN		01
04	0501010694	FLAT WASHER 32,50 X 75 X 4,75		01
05	0503010179	LOCK WASHER 5/16 ZN 1K01528		01
06	0503010337	NUT 5/16 UNC G.5 ZN		01



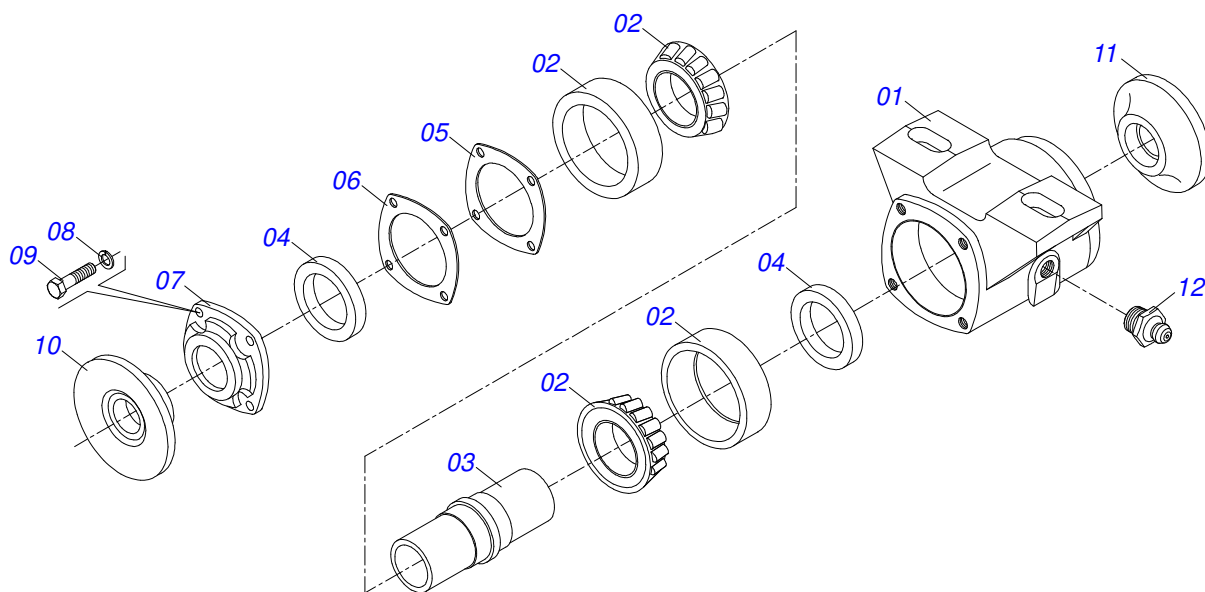
Item	Code	Description	See page	36	40	44	48
01	0501040694	1-1/4" X 66" AXLE WITH NUTS		04	00	00	00
01A	0501010439	1-1/4" X 66" AXLE		04	00	00	00
01B	0501010087	1.1/4" NUT		02	00	00	00
02	0501042947	1-1/4" X 74" AXLE WITH NUTS		00	04	00	00
02A	0501017377	1-1/4" X 74" AXLE		00	04	00	00
02B	0501010087	1.1/4" NUT		00	08	00	00
03	0501042262	1-1/4" X 35" AXLE WITH NUTS		00	00	04	00
03A	0501016647	1-1/4" X 35" AXLE		00	00	04	00
03B	0501010087	1.1/4" NUT		00	00	08	00
04	0501042201	1.1/4" X 1090 AXLE WITH NUTS		00	00	00	04
04A	0501016649	1.1/4" X 1090 AXLE		00	00	00	04
04B	0501010087	1.1/4" NUT		00	00	00	08
05	0502010835	1-1/4" EXTERNAL AXLE WASHER		04	04	04	04
06	0602025259	DR 18 X 3 C45AF02FR1.5/16 9R		18	00	00	00
06.	0602027340	DR 20 X 3,5 C57AF02FR1.5/16 10R		00	20	22	24
07	0601025115	DL18X3 C44AF02FR33,33 EZZE-ON		16	00	00	00
07.	0601027301	DL 20 X 3,5 C57AF02FR1.5/16		00	18	20	22
08	0601025251	DL 18 X 3,5 C45AF02FR1.5/16		00	02	02	02
09	0501046922	AGRICULTURAL BEARING DM OL 7 X 1.1/4 12 IMPLEMENT		08	12	12	12
09.	0501046913	GX 7" 1-1/4" BEARING ASSY	13	08	12	12	12
10	0501050169	UPPER COVER HOUSING		08	12	12	12
10A	0502030004	UPPER COVER HOUSING		08	12	12	12
10B	0503010002	1800 GREASE FITTING		08	12	12	12
11	0502030006	LOWER COVER HOUSING		08	12	12	12
12	0502030005	REEL		06	06	04	04
13	0521012326	5/8 UNC X 138 X 117 FASTENER		06	06	04	04
14	0501012140	FLAT WASHER 16,50 X 40 X 4,00 ZN		12	12	08	08
15	0503010027	5/8 SPRING WASHER		12	12	08	08
16	0503010013	NUT 5/8" UNC G.5 ZN		12	12	08	08
17	0502010549	7.6" X 1-1/4" SPACER		20	24	12	12
18	0502010834	1-1/4" INNER AXLE WASHER		04	04	04	04



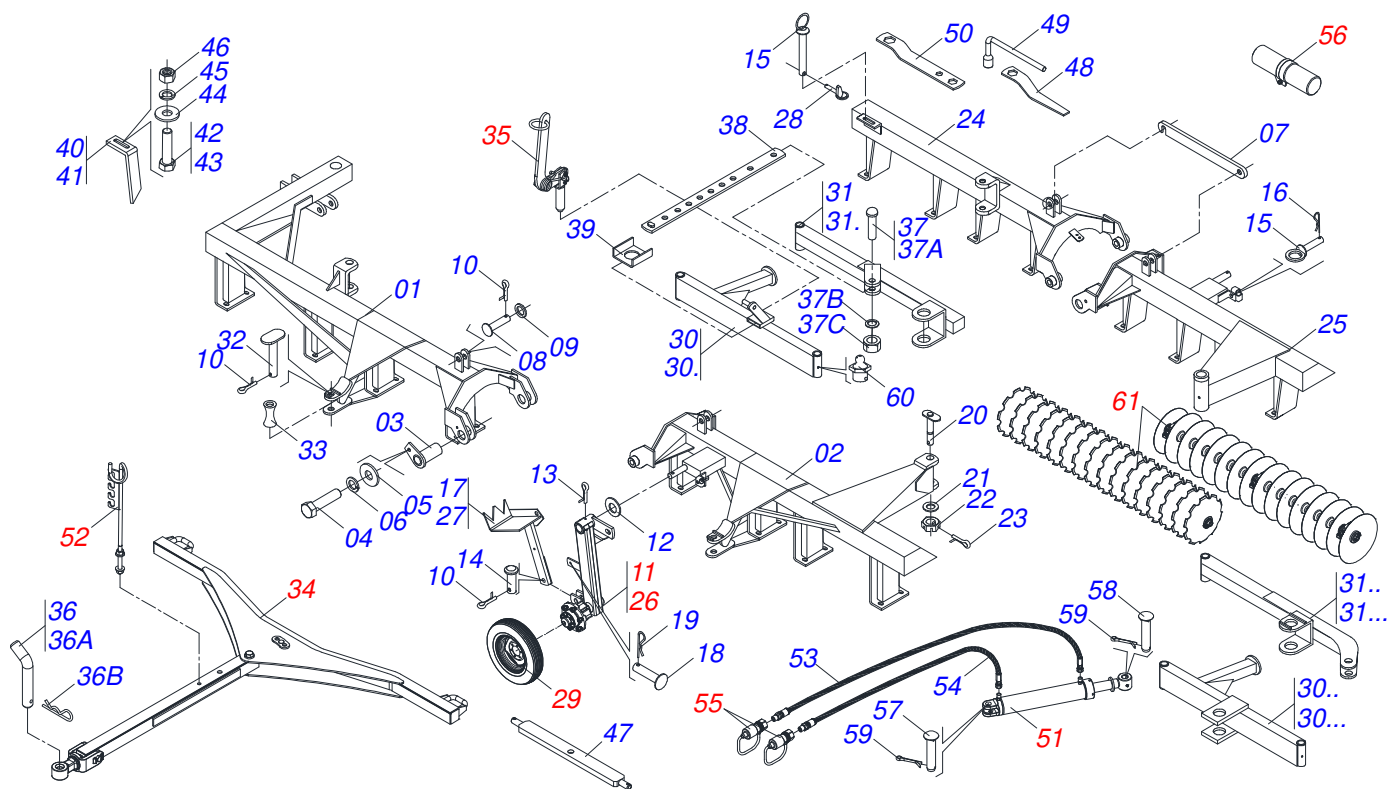
Item	Code	Description	See page	36	40	44	48
19	0501010455	1.1/4" NUT LOCK		08	08	08	08
20	0501058802	5/8 UNC X 2.3/4 BOLT ASSY		08	08	08	08
20A	0503015154	5/8" X 2.3/4" BOLT		08	08	08	08
20B	0501010947	5/8 NUT LOCK		08	08	08	08
20C	0501012140	FLAT WASHER 16,50 X 40 X 4,00 ZN		08	08	08	08
20D	0503010013	NUT 5/8" UNC G.5 ZN		16	16	16	16
21	0503010395	1/2" X 1-1/4" BOLT		08	08	08	08
22	0503010019	1/2" SPRING WASHER		08	08	08	08
23	0503010060	1/2 UNC G.5 ZN HEX NUT		08	08	08	08



Item	Code	Description	See page	QT
01	0502040218	AXLE		01
02	0503010111	30210 ROLLER BEARING		02
03	0502010541	SEAL RETAINER		02
04	0503030026	SEAL LP JB-253		02
05	0502010071	INNER FLANGE		01
06	0502010540	HOUSING DM		01
07	0503030013	4.4" X 3.5" X 0.004" JOINT		02
08	0503030684	4.4" X 3.5" X 0.004" JOINT		01
09	0502010070	OUTER FLANGE		01
10	0502020424	HOUSING CAP 182/192,225		01
11	0503010134	3/8" X 1" BOLT		04
12	0503010856	OIL PLUG R 3/8 BSPT		02
13	3402301247	MINERAL OIL SAE 140		0,11Lts



Item	Code	Description	See page	QT
01	0502020313	HOUSING CM		01
02	0503010111	30210 ROLLER BEARING		02
03	0502040218	AXLE		01
04	0503010468	SEAL 01199-GB		02
05	0503030013	4.4" X 3.5" X 0.004" JOINT		02
06	0503030684	4.4" X 3.5" X 0.004" JOINT		01
07	0502020273	HOUSING CAP CM		01
08	0503011443	SPRING WASHER 3/8"		04
09	0503810237	3/8 UNC X 1 C S G.5 SA BOLT		04
10	0502010070	OUTER FLANGE		01
11	0502010071	INNER FLANGE		01
12	0503010002	1800 GREASE FITTING		01



Item	Code	Description	See page	52	56	60	64	68	72
01	0511063431	RIGHT FRONT FRAME 52		01	00	00	00	00	00
01.	0511063435	RIGHT FRONT FRAME 56		00	01	00	00	00	00
01..	0511063439	RIGHT FRONT FRAME 40		00	00	01	00	00	00
01...	0511063443	RIGHT FRONT FRAME 64		00	00	00	01	00	00
01....	0511063447	RIGHT FRONT FRAME 68		00	00	00	00	01	00
01.....	0511063451	RIGHT FRONT FRAME 72		00	00	00	00	00	01
02	0511063432	LEFT FRONT FRAME 52		01	00	00	00	00	00
02.	0511063436	LEFT FRONT FRAME 56		00	01	00	00	00	00
02..	0511063440	LEFT FRONT FRAME 60		00	00	01	00	00	00
02...	0511063444	LEFT FRONT FRAME 64		00	00	00	01	00	00
02....	0511063448	LEFT FRONT FRAME 68		00	00	00	00	01	00
02.....	0511063452	LEFT FRONTFRAME 72		00	00	00	00	00	01
03	0501063751	1.5" X 5.5" PIVOT SHAFT		04	04	04	04	04	04
04	0503010962	5/8" X 1-1/4" BOLT		04	04	04	04	04	04
05	0501012140	FLAT WASHER 16,50 X 40 X 4,00 ZN		04	04	04	04	04	04
06	0503010027	5/8 SPRING WASHER		04	04	04	04	04	04
07	0501018941	TRANSPORT LOCK		02	02	02	02	02	02
08	0521010592	1.1" X 3.1" COUPLING SHAFT		04	04	04	04	04	04
09	0511017480	FLAT WASHER		04	04	04	04	04	04
10	0503010571	1/4" X 1.1/2" SPLIT PIN		08	08	08	08	08	08
11	0501051638	LEFT STUB SHAFT & HUB ASSY	2	01	01	01	01	01	01
12	0501015875	FLAT WASHER		02	02	02	02	02	02
13	0503010073	3/8" X 3.1/2" SPLIT PIN		02	02	02	02	02	02
14	0521010592	1.1" X 3.1" COUPLING SHAFT		02	02	02	02	02	02
15	0501063249	1" X 5.3" PIN LOCK		04	04	04	04	04	04
16	0503030012	HITCH PIN CLIP		03	03	03	03	03	03
17	0501060598	DRAWBAR JACK		01	01	01	01	01	01
18	0521010625	0.4" X 2" COUPLING SHAFT		02	02	02	02	02	02
19	0503030168	HITCH PIN CLIP		02	02	02	02	02	02
20	0531019497	1.5" X 9.2" ARTICULATED AXIS		04	04	04	04	04	04
21	0531019540	FLAT WASHER		04	04	04	04	04	04



ASSY FRAME - 52/56/60/64/68/72D

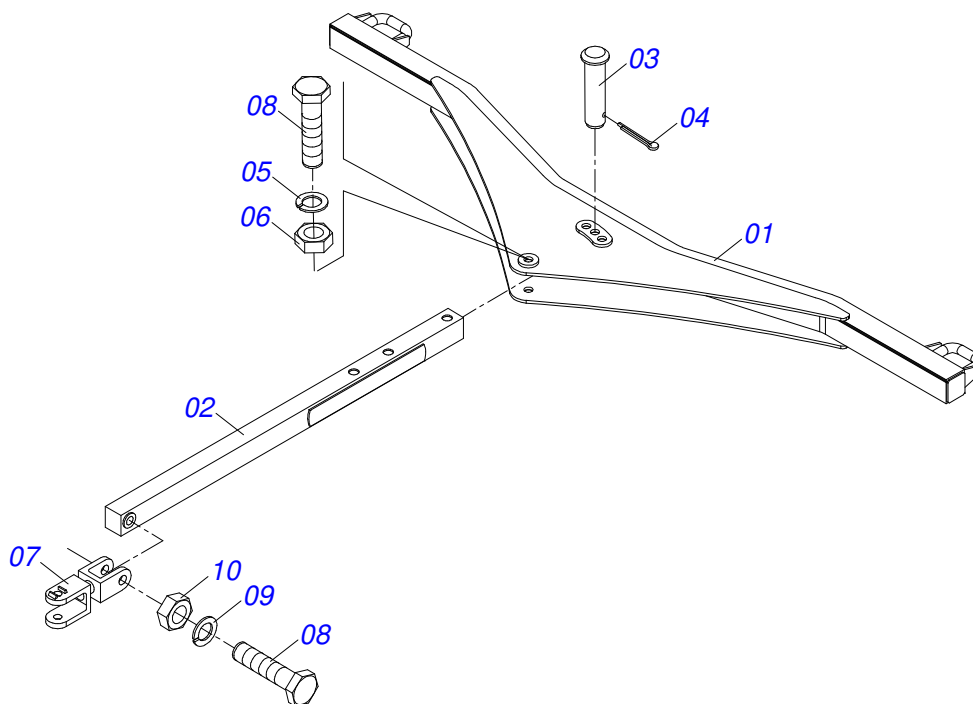
0909090338

Item	Code	Description	See page	52	56	60	64	68	72
22	0501011301	1.1/2" UNC 6FPP 2.5/16" NUT		04	04	04	04	04	04
23	0503010010	SPLIT PIN 1/4" X 2.1/2"		04	04	04	04	04	04
24	0511063433	RIGHT REAR FRAME 52		01	00	00	00	00	00
24.	0511063437	RIGHT REAR FRAME 56		00	01	00	00	00	00
24..	0511063441	RIGHT REARFRAME 60		00	00	01	00	00	00
24...	0511063445	RIGHT REAR FRAME 64		00	00	00	01	00	00
24....	0511063449	RIGHT REAR FRAME 68		00	00	00	00	01	00
24.....	0511063453	RIGHT REAR FRAME 72		00	00	00	00	00	01
25	0511063434	LEFT REAR FRAME 52		01	00	00	00	00	00
25.	0511063438	LEFT REAR FRAME 56		00	01	00	00	00	00
25..	0511063442	LEFT REAR FRAME 60		00	00	01	00	00	00
25...	0511063446	LEFT REAR FRAME 64		00	00	00	01	00	00
25....	0511063450	LEFT REAR FRAME 68		00	00	00	00	01	00
25.....	0511063454	LEFT REAR FRAME 72		00	00	00	00	00	01
26	0501051637	RIGHT STUB SHAFT & HUB ASSY	3	01	01	01	01	01	01
27	0501060597	RIGHT DRAWBAR JACK		01	01	01	01	01	01
28	0503030085	LOCK PIN		01	01	01	01	01	01
29	0503060094	WHEEL AND TIRE ASSY	6	02	02	02	02	02	02
30	0501064509	FRONT STABILIZER BAR		01	00	00	00	00	00
30.	0501065956	78" FRONT STABILIZER BAR		00	01	01	01	01	01
30..	0501064461	FRONT STAB BAR		01	00	00	00	00	00
30...	0501065955	78" FRONT ESTAB BAR		00	01	01	01	01	01
31	0501064508	REAR STABILIZER BAR 1360		01	00	00	00	00	00
31.	0501065958	74.8" REAR STABILIZER BAR		00	01	01	01	01	01
31..	0501064462	63" REAR STABILIZER BAR		01	00	00	00	00	00
31...	0501065957	85.2" REAR STABILIZER BAR		00	01	01	01	01	01
32	0521010628	25,40 X 105 COUPLING SHAFT		02	02	02	02	02	02
33	0502040147	REEL		02	02	02	02	02	02
34	0511042712	DRAWBAR ASSY	15	01	01	01	01	01	01
35	0501047858	ADJUSTMENT LEVER ASSY	16	01	01	01	01	01	01
36	0501040343	DRAWBOLT ASSY		01	01	01	01	01	01
36A	0501010523	DRAWBOLT		01	01	01	01	01	01
36B	0503031035	HITCH PIN CLIP		01	01	01	01	01	01
37	0501040852	1" X 4" ASSY BOLT		01	01	01	01	01	01
37A	0501010059	1.5/8 NUT		01	01	01	01	01	01
37B	0503010012	1" SPRING WASHER		01	01	01	01	01	01
37C	0503011432	BOLT		01	01	01	01	01	01
38	0501064197	ADJUSTMENT BAR		01	01	01	01	01	01
39	0501011649	U 1.2" X 3.1"X 3/16" BAR		01	01	01	01	01	01
40	0501063963	FRONT SCRAPER		16	17	19	21	21	23
40.	0591015209	FRONT SCRAPER		01	01	01	01	01	01
41	0501063962	REAR SCRAPER		16	17	19	21	21	23
41.	0591015208	REAR SCRAPER		01	01	01	01	01	01
42	0503010395	1/2" X 1-1/4" BOLT		16	16	16	16	16	16
43	0503011082	C1/2" X 1.3/4" SCREW		68	68	68	68	68	68
44	0511017302	FLAT WASHER 13,50 X 32,50 X 3,0 ZN		68	68	68	68	68	68
45	0503010019	1/2" SPRING WASHER		84	84	84	84	84	84
46	0503010060	1/2 UNC G.5 ZN HEX NUT		84	84	84	84	84	84
47	0501018990	BAR FOR TRANSPORT		01	01	01	01	01	01
48	0501010198	1-1/4" CABLE FLAT WRENCH		02	02	02	02	02	02
49	0501068273	5/8" WRENCH		01	01	01	01	01	01
50	0511018451	5/8" X 3/4" X 1" UNIVERSAL		01	01	01	01	01	01
51	0501044312	1.7"X3.4"X31"X15" HYDRAULIC CYLINDER	8	01	01	01	01	01	01
52	0501040257	ASSY 3/4 X 38 HOSE SUPPORT	9	01	01	01	01	01	01
53	0501080363	3/8" X 177" TR-TM HOSE		01	00	00	00	00	00
54	0501080362	3/8" X 177" TC-TM HOSE		00	01	01	01	01	01
55	0501053834	MALE QUICK COUPLER	5	02	02	02	02	02	02
56	0521053485	ASSY MANUAL CANISTER	10	01	01	01	01	01	01
57	0521013077	1.2" X 5.7" PIVOT SHAFT		01	01	01	01	01	01



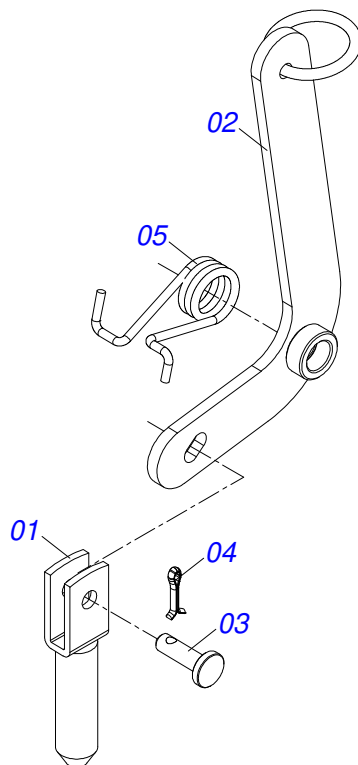
Item	Code	Description	See page	52	56	60	64	68	72
58	0521010571	COUPLING SHAFT		01	01	01	01	01	01
59	0503010523	1/4" X 2" SPLIT PIN		01	01	01	01	01	01
60	0503010002	1800 GREASE FITTING		07	07	07	07	07	07
61	0909096487	ASSY GANG DISC - 52/56/60/64/68/72D	17	01	01	01	01	01	01

DRAWBAR ASSY

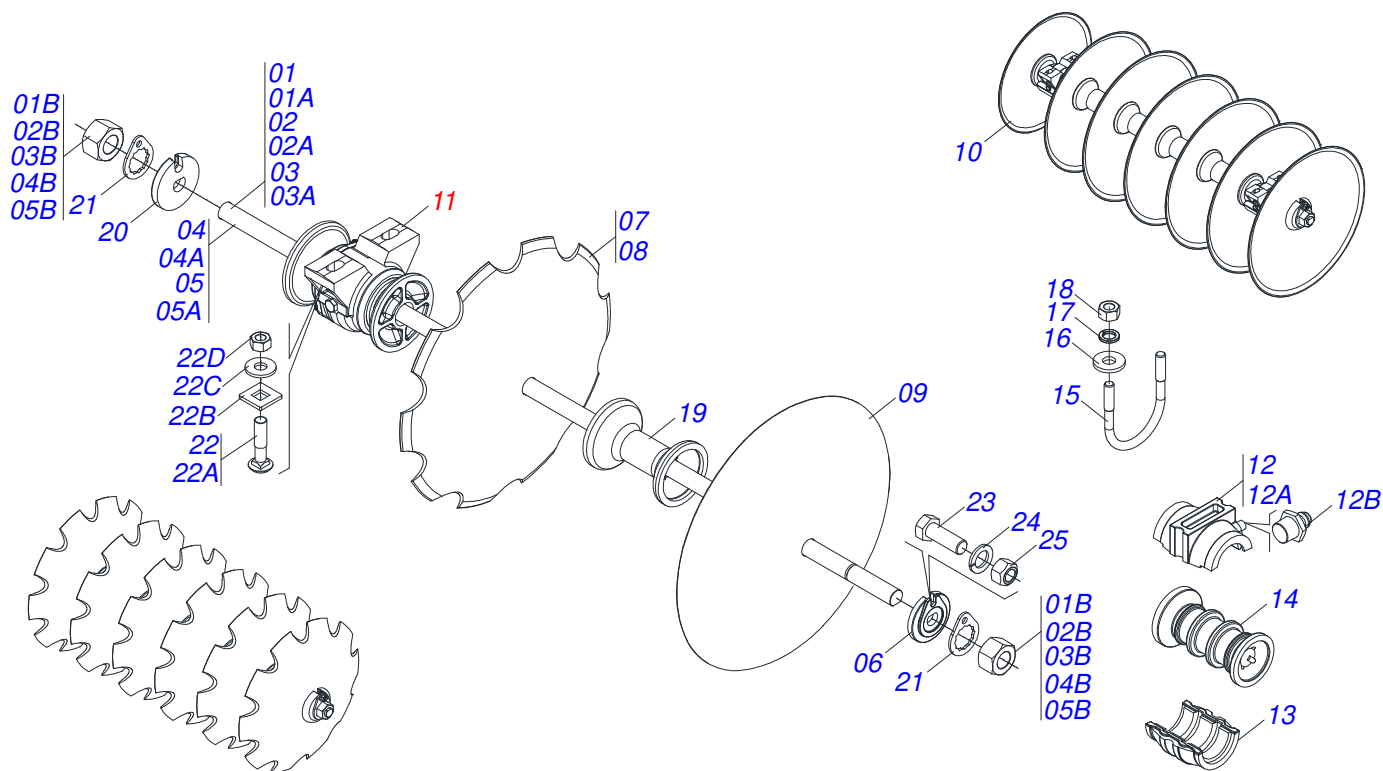


Item	Code	Description	See page	QT
01	0511064555	OFFSET BAR		01
02	0501060188	DRAWBAR ASSY		01
03	0521010585	0.9" X 5.9" COUPLING SHAFT		01
04	0503010523	1/4" X 2" SPLIT PIN		02
05	0503011438	SPRING WASHER		02
06	0501010059	1.5/8 NUT		02
07	0521061775	TRACTOR HITCH		01
08	0501010060	1" X 6-1/2" BOLT		02

ADJUSTMENT LEVER ASSY



Item	Code	Description	See page	QT
01	0501060185	ADJUSTMENT LOCK		01
02	0501068981	ADJUSTMENT LEVER		01
03	0521010624	0.4" X 1.5" COUPLING SHAFT		01
04	0503010071	3/16" X 1" SPLIT PIN		01
05	0503030025	1.4" X 0.2" TORSION SPRING		01



Item	Code	Description	See page	52	56	60	64	68	72
01	0501042201	1.1/4" X 1090 AXLE WITH NUTS		04	00	00	00	00	04
01A	0501016649	1.1/4" X 1090 AXLE		04	00	00	00	00	04
01B	0501010087	1.1/4" NUT		08	00	00	00	00	08
02	0501042202	1-1/4" X 50" AXLE WITH NUTS		04	08	04	04	02	04
02A	0501016650	1-1/4" X 50" AXLE		04	08	04	04	02	04
02B	0501010087	1.1/4" NUT		08	16	08	08	04	08
03	0501042942	1-1/4" X 58" AXLE WITH NUTS		00	00	04	00	00	00
03A	0501017379	1-1/4" X 58" AXLE		00	00	04	00	00	00
03B	0501010087	1.1/4" NUT		00	00	08	00	00	00
04	0501040694	1-1/4" X 66" AXLE WITH NUTS		00	00	00	04	00	00
04A	0501010439	1-1/4" X 66" AXLE		00	00	00	04	00	00
04B	0501010087	1.1/4" NUT		00	00	00	08	00	00
05	0501042262	1-1/4" X 35" AXLE WITH NUTS		00	00	00	00	04	04
05A	0501016647	1-1/4" X 35" AXLE		00	00	00	00	08	04
05B	0501010087	1.1/4" NUT		00	00	00	00	16	08
06	0502010871	EXTERNAL AXLE WASHER 1.1/2"		04	04	04	04	04	04
07	0602029420	DR 22 X 3,5 C64AF02FR1.5/16 D126 10R		26	00	00	32	34	00
07.	0602029421	DR 22 X 4,5 C64AF02FR1.5/16 10R		26	00	00	00	00	00
08	0602027340	DR 20 X 3,5 C57AF02FR1.5/16 10R		00	28	30	32	00	00
08.	0602027342	DR 20 X 4,5 C57AF02FR1.5/16 10R		00	00	00	00	00	36
09	0601029418	DL 22 X 3,5 C64AF02FR1.5/16 D126		24	00	00	30	32	00
09.	0601029417	DL 22 X 4,5 C64AF02FR1.5/16		24	00	00	00	00	00
09..	0601027301	DL 20 X 3,5 C57AF02FR1.5/16		00	26	28	30	02	00
09...	0601027304	DL 20 X 4,5 C57AF02FR1.5/16		02	00	00	00	00	34
10	0601027301	DL 20 X 3,5 C57AF02FR1.5/16		02	00	00	02	00	00
10.	0601025251	DL 18 X 3,5 C45AF02FR1.5/16		00	02	02	02	00	00
10..	0601025252	DL 18 X 4,5 C45AF02FR1.5/16		00	00	00	00	00	02
11	0501046913	GX 7" 1-1/4" BEARING ASSY	13	16	16	16	20	24	00
11.	0501046922	AGRICULTURAL BEARING DM OL 7 X 1.1/4	12	00	00	16	00	00	24
12	0501050169	UPPER COVER HOUSING		08	08	08	10	12	12
12A	0502030004	UPPER COVER HOUSING		08	08	08	10	12	12



Item	Code	Description	See page	52	56	60	64	68	72
12B	0503010002	1800 GREASE FITTING		08	08	08	10	12	12
13	0502030006	LOWER COVER HOUSING		08	08	08	10	12	12
14	0502030005	REEL		08	08	08	10	12	12
15	0521012326	5/8 UNC X 138 X 117 FASTENER		08	08	08	10	12	12
16	0501012140	FLAT WASHER 16,50 X 40 X 4,00 ZN		16	16	16	20	24	24
17	0503010027	5/8 SPRING WASHER		16	16	16	20	24	24
18	0503010013	NUT 5/8" UNC G.5 ZN		16	16	16	20	24	24
19	0502010549	7.6" X 1-1/4" SPACER		28	36	36	36	32	36
20	0502010872	1-1/2" INNER AXLE WASHER		04	04	04	04	04	04
21	0501018592	LOCK NUT 1.5/8" HEX. 60,0/60,2		08	08	08	08	08	08
22	0501058802	5/8 UNC X 2.3/4 BOLT ASSY		08	08	08	08	08	08
22A	0503015154	5/8" X 2.3/4" BOLT		08	08	08	08	08	08
22B	0501010947	5/8 NUT LOCK		08	08	08	08	08	08
22C	0501012140	FLAT WASHER 16,50 X 40 X 4,00 ZN		08	08	08	08	08	08
22D	0503010013	NUT 5/8" UNC G.5 ZN		16	16	16	16	16	16
23	0503010395	1/2" X 1-1/4" BOLT		08	08	08	08	08	08
24	0503010019	1/2" SPRING WASHER		08	08	08	08	08	08
25	0503010060	1/2 UNC G.5 ZN HEX NUT		08	08	08	08	08	08



ANNOTATION

Ruled area for writing with horizontal lines





MARCHESAN

Technical Publications | Elaboration and Revision

ALESSANDRA PATRICIA KAWAHARA CARRILI

www.marchesan.com.br

