

HINGE TYPE OFFSET DISK HARROW

**GNFH 48/52/56/60/64/68/72/76/80/84D - PA -
PN11L15 - 1.1/2" AXLE**

Code: 0501093357
Series: S-0222
Revision: 00
Date Revision: OUTOBRO/2022

PARTS CATALOGUE



MARCHESAN

PRODUCTS

| Code | Description |
|------------|---|
| 0102480175 | GNFH 48X20X3,50 MT DMO PA E 1.1/2 PN 11L15 S-0222 |
| 0102480174 | GNFH 48X20X4,50 MT DMO PA E 1.1/2 PN 11L15 S-0222 |
| 0102480168 | GNFH 48X22X3,50 DR DMO PA E 1.1/2 PN 11L15 S-0222 |
| 0102480173 | GNFH 48X22X3,50 MT DMO PA E 1.1/2 PN 11L15 S-0222 |
| 0102480170 | GNFH 48X22X4,50 DR DMO PA E 1.1/2 PN 11L15 S-0222 |
| 0102480172 | GNFH 48X22X4,50 MT DMO PA E 1.1/2 PN 11L15 S-0222 |
| 0102480156 | GNFH 48X24X4,50 DR DMO PA E 1.1/2 PN 11L15 S-0222 |
| 0102480171 | GNFH 48X24X4,50 MT DMO PA E 1.1/2 PN 11L15 S-0222 |
| 0102480214 | GNFH 52X20X3,50 MT DMO PA E 1.1/2 PN 11L15 S-0222 |
| 0102480213 | GNFH 52X20X4,50 MT DMO PA E 1.1/2 PN 11L15 S-0222 |
| 0102480212 | GNFH 52X22X3,50 MT DMO PA E 1.1/2 PN 11L15 S-0222 |
| 0102480209 | GNFH 52X22X4,50 DR DMO PA E 1.1/2 PN 11L15 S-0222 |
| 0102480211 | GNFH 52X22X4,50 MT DMO PA E 1.1/2 PN 11L15 S-0222 |
| 0102480145 | GNFH 52X24X4,50 DR DMO PA E 1.1/2 PN 11L15 S-0222 |
| 0102480210 | GNFH 52X24X4,50 MT DMO PA E 1.1/2 PN 11L15 S-0222 |
| 0102480205 | GNFH 56X20X3,50 MT DMO PA E 1.1/2 PN 11L15 S-0222 |
| 0102480204 | GNFH 56X20X4,50 MT DMO PA E 1.1/2 PN 11L15 S-0222 |
| 0102480203 | GNFH 56X22X3,50 MT DMO PA E 1.1/2 PN 11L15 S-0222 |
| 0102480200 | GNFH 56X22X4,50 DR DMO PA E 1.1/2 PN 11L15 S-0222 |
| 0102480202 | GNFH 56X22X4,50 MT DMO PA E 1.1/2 PN 11L15 S-0222 |
| 0102480201 | GNFH 56X24X4,50 MT DMO PA E 1.1/2 PN 11L15 S-0222 |
| 0102480160 | GNFH 60X20X3,50 MT DMO PA E 1.1/2 PN 11L15 S-0222 |
| 0102480155 | GNFH 60X20X4,50 MT DMO PA E 1.1/2 PN 11L15 S-0222 |
| 0102480154 | GNFH 60X22X3,50 MT DMO PA E 1.1/2 PN 11L15 S-0222 |
| 0102480158 | GNFH 60X22X4,50 DR DMO PA E 1.1/2 PN 11L15 S-0222 |
| 0102480157 | GNFH 60X22X4,50 MT DMO PA E 1.1/2 PN 11L15 S-0222 |
| 0102480159 | GNFH 60X24X4,50 DR DMO PA E 1.1/2 PN 11L15 S-0222 |
| 0102480153 | GNFH 60X24X4,50 MT DMO PA E 1.1/2 PN 11L15 S-0222 |
| 0102480188 | GNFH 64X20X3,50 MT DMO PA E 1.1/2 PN 11L15 S-0222 |
| 0102480187 | GNFH 64X20X4,50 MT DMO PA E 1.1/2 PN 11L15 S-0222 |

ATTENTION: IMPORTANT

Marchesan S.A. reserves the right to improve and/or modify the technical features of its products, without obligation to do the same with those products already sold and without prior knowledge of the dealer or the customer. The photos are only illustrative.

PRODUCTS

| | |
|------------|---|
| 0102480186 | GNFH 64X22X3,50 MT DMO PA E 1.1/2 PN 11L15 S-0222 |
| 0102480183 | GNFH 64X22X4,50 DR DMO PA E 1.1/2 PN 11L15 S-0222 |
| 0102480185 | GNFH 64X22X4,50 MT DMO PA E 1.1/2 PN 11L15 S-0222 |
| 0102480161 | GNFH 64X24X4,50 DR DMO PA E 1.1/2 PN 11L15 S-0222 |
| 0102480184 | GNFH 64X24X4,50 MT DMO PA E 1.1/2 PN 11L15 S-0222 |
| 0102480150 | GNFH 68X20X3,50 MT DMO PA E 1.1/2 PN 11L15 S-0222 |
| 0102480149 | GNFH 68X20X4,50 MT DMO PA E 1.1/2 PN 11L15 S-0222 |
| 0102480148 | GNFH 68X22X3,50 MT DMO PA E 1.1/2 PN 11L15 S-0222 |
| 0102480144 | GNFH 68X22X4,50 DR DMO PA E 1.1/2 PN 11L15 S-0222 |
| 0102480147 | GNFH 68X22X4,50 MT DMO PA E 1.1/2 PN 11L15 S-0222 |
| 0102480143 | GNFH 68X24X4,50 DR DMO PA E 1.1/2 PN 11L15 S-0222 |
| 0102480146 | GNFH 68X24X4,50 MT DMO PA E 1.1/2 PN 11L15 S-0222 |
| 0102480270 | GNFH 72X20X3,50 MT DMO PA E 1.1/2 PN 11L15 S-0222 |
| 0102480264 | GNFH 72X20X4,50 DR DMO PA E 1.1/2 PN 11L15 S-0222 |
| 0102480269 | GNFH 72X20X4,50 MT DMO PA E 1.1/2 PN 11L15 S-0222 |
| 0102480268 | GNFH 72X22X3,50 MT DMO PA E 1.1/2 PN 11L15 S-0222 |
| 0102480272 | GNFH 72X22X4,50 DR DMO PA E 1.1/2 PN 11L15 S-0222 |
| 0102480267 | GNFH 72X22X4,50 MT DMO PA E 1.1/2 PN 11L15 S-0222 |
| 0102480265 | GNFH 72X24X4,50 DR DMO PA E 1.1/2 PN 11L15 S-0222 |
| 0102480266 | GNFH 72X24X4,50 MT DMO PA E 1.1/2 PN 11L15 S-0222 |
| 0102480280 | GNFH 72X24X4,75 DR DMO PA PN E 1.1/2 11L15 S-0222 |
| 0102480229 | GNFH 76X20X3,50 MT DMO PA E 1.1/2 PN 11L15 S-0222 |
| 0102480228 | GNFH 76X20X4,50 MT DMO PA E 1.1/2 PN 11L15 S-0222 |
| 0102480227 | GNFH 76X22X3,50 MT DMO PA E 1.1/2 PN 11L15 S-0222 |
| 0102480222 | GNFH 76X22X4,50 DL DMO PA E 1.1/2 PN 11L15 S-0222 |
| 0102480224 | GNFH 76X22X4,50 DR DMO PA E 1.1/2 PN 11L15 S-0222 |
| 0102480226 | GNFH 76X22X4,50 MT DMO PA E 1.1/2 PN 11L15 S-0222 |
| 0102480223 | GNFH 76X24X4,50 DR DMO PA E 1.1/2 PN 11L15 S-0222 |
| 0102480225 | GNFH 76X24X4,50 MT DMO PA E 1.1/2 PN 11L15 S-0222 |
| 0102480256 | GNFH 80X20X3,50 MT DMO PA E 1.1/2 PN 11L15 S-0222 |
| 0102480257 | GNFH 80X20X4,50 MT DMO PA E 1.1/2 PN 11L15 S-0222 |

ATTENTION: IMPORTANT

Marchesan S.A. reserves the right to improve and/or modify the technical features of its products, without obligation to do the same with those products already sold and without prior knowledge of the dealer or the customer. The photos are only illustrative.



PRODUCTS

| | |
|------------|---|
| 0102480255 | GNFH 80X22X3,50 MT DMO PA E 1.1/2 PN 11L15 S-0222 |
| 0102480254 | GNFH 80X22X4,50 MT DMO PA E 1.1/2 PN 11L15 S-0222 |
| 0102480252 | GNFH 80X24X4,50 DR DMO PA E 1.1/2 PN 11L15 S-0222 |
| 0102480253 | GNFH 80X24X4,50 MT DMO PA E 1.1/2 PN 11L15 S-0222 |
| 0102480242 | GNFH 84X20X3,50 MT DMO PA E 1.1/2 PN 11L15 S-0222 |
| 0102480241 | GNFH 84X20X4,50 MT DMO PA E 1.1/2 PN 11L15 S-0222 |
| 0102480240 | GNFH 84X22X3,50 MT DMO PA E 1.1/2 PN 11L15 S-0222 |
| 0102480251 | GNFH 84X22X4,50 DR DMO PA E 1.1/2 PN 11L15 S-0222 |
| 0102480239 | GNFH 84X22X4,50 MT DMO PA E 1.1/2 PN 11L15 S-0222 |
| 0102480152 | GNFH 84X24X4,50 DL DMO PA E 1.1/2 PN 11L15 S-0222 |
| 0102480250 | GNFH 84X24X4,50 DR DMO PA E 1.1/2 PN 11L15 S-0222 |
| 0102480238 | GNFH 84X24X4,50 MT DMO PA E 1.1/2 PN 11L15 S-0222 |

ATTENTION: IMPORTANT

Marchesan S.A. reserves the right to improve and/or modify the technical features of its products, without obligation to do the same with those products already sold and without prior knowledge of the dealer or the customer. The photos are only illustrative.



MARCHESAN

INDEX

| | | | |
|------------|--|-------|----|
| 0909096549 | FRAME ASSY 48D | | 1 |
| 0531053693 | FRONT SEMI-ASSEMBLED FRAME - 48D | | 2 |
| 0531053695 | REAR SEMI-ASSEMBLED FRAME - 48D | | 3 |
| 0909096550 | FRAME ASSY 52/56/60D | | 4 |
| 0531053697 | FRONT SEMI-ASSEMBLED FRAME - 52D | | 5 |
| 0531053701 | FRONT SEMI-ASSEMBLED FRAME - 56D | | 6 |
| 0531053709 | FRONT SEMI-ASSEMBLED FRAME - 60D | | 7 |
| 0531053699 | REAR SEMI-ASSEMBLED FRAME - 52D | | 8 |
| 0531053703 | REAR SEMI-ASSEMBLED FRAME - 56D | | 9 |
| 0531053711 | REAR SEMI-ASSEMBLED FRAME - 60D | | 10 |
| 0909096551 | FRAME ASSY 64/68/72D | | 11 |
| 0531053731 | FRONT SEMI-ASSEMBLED FRAME - 64D | | 12 |
| 0531053727 | FRONT SEMI-ASSEMBLED FRAME - 68D | | 13 |
| 0531053723 | FRONT SEMI-ASSEMBLED FRAME - 72D | | 14 |
| 0531053733 | REAR SEMI-ASSEMBLED FRAME - 64D | | 15 |
| 0531053729 | REAR SEMI-ASSEMBLED FRAME - 68D | | 16 |
| 0531053725 | REAR SEMI-ASSEMBLED FRAME - 72D | | 17 |
| 0909096552 | FRAME ASSY 76/80/84D | | 18 |
| 0531053713 | FRONT SEMI-ASSEMBLED FRAME - 76D | | 19 |
| 0531053717 | FRONT SEMI-ASSEMBLED FRAME - 80D | | 20 |
| 0531053721 | FRONT SEMI-ASSEMBLED FRAME - 84D | | 21 |
| 0531053715 | REAR SEMI-ASSEMBLED FRAME - 76D | | 22 |
| 0531053719 | REAR SEMI-ASSEMBLED FRAME - 80D | | 23 |
| 0531053722 | REAR SEMI-ASSEMBLED FRAME - 84D | | 24 |
| 0521048204 | DRAWBAR ASSY 36 A 48D | | 25 |
| 0521044870 | DRAWBAR ASSY | | 26 |
| 0501044359 | ASSY TRACTION BAR | | 27 |
| 0521053943 | HITCH WITH ASSY ROTULA SUPPORT | | 28 |
| 0521048502 | ASSY TRACTION BAR | | 29 |
| 0521057520 | HITCH ASSY | | 30 |
| 0521048125 | WHEELS ASSY | | 31 |
| 0521052217 | ASSY WHEEL CUBE | | 32 |
| 0501051142 | CARRYING WHEEL HUB | | 33 |
| 0503060181 | WHEEL AND TIRE | | 34 |
| 0521056810 | HYDRAULIC CYLINDER 44,45X76,20X405X170 | | 35 |
| 0511058461 | HYDRAULIC CYLINDER | | 36 |
| 0503062157 | DRAWBAR JACK | | 37 |
| 0501040257 | ASSY 3/4 X 38 HOSE SUPPORT | | 38 |
| 0521058303 | CAT 2-3 TRANSPORT BAR ASSY | | 39 |
| 0531058158 | INSTRUCTION MANUAL CANISTER | | 40 |
| 0909094921 | HYDRAULIC CIRCUIT - 48/52/56/60/64D | | 41 |
| 0521054451 | HOSE SET HYDRAULIC LIFTING SET 48 | | 42 |
| 0521054455 | HOSE SET HYDRAULIC LIFTING SET 52 | | 43 |
| 0521054453 | HOSE SET HYDRAULIC LIFTING SET 56 | | 44 |
| 0521054450 | HOSE SET HYDRAULIC LIFTING SET 60 | | 45 |
| 0521054452 | HOSE SET HYDRAULIC LIFTING SET 64 | | 46 |
| 0521050797 | FLOW DIVIDER VALVE | | 47 |
| 0501053834 | MALE QUICK COUPLER | | 48 |
| 0909094922 | HYDRAULIC CIRCUIT - 68/72/76/80/84D | | 49 |
| 0511058421 | 38,10X63,50X405X170 HYDRAULIC CYLINDER | | 50 |
| 0521058302 | HYDRAULIC CYLINDER 44,45X85,7X600X265 | | 51 |
| 0521052223 | 3/4 X 700 HOSE SUPPORT | | 52 |
| 0909096553 | FRONT GANG DISC - 48/52/56/60/64D | | 53 |
| 0909096554 | FRONT GANG DISC - 68/72/76/80/84D | | 54 |
| 0909096555 | REAR GANG DISC - 48/52/56/60/64D | | 55 |

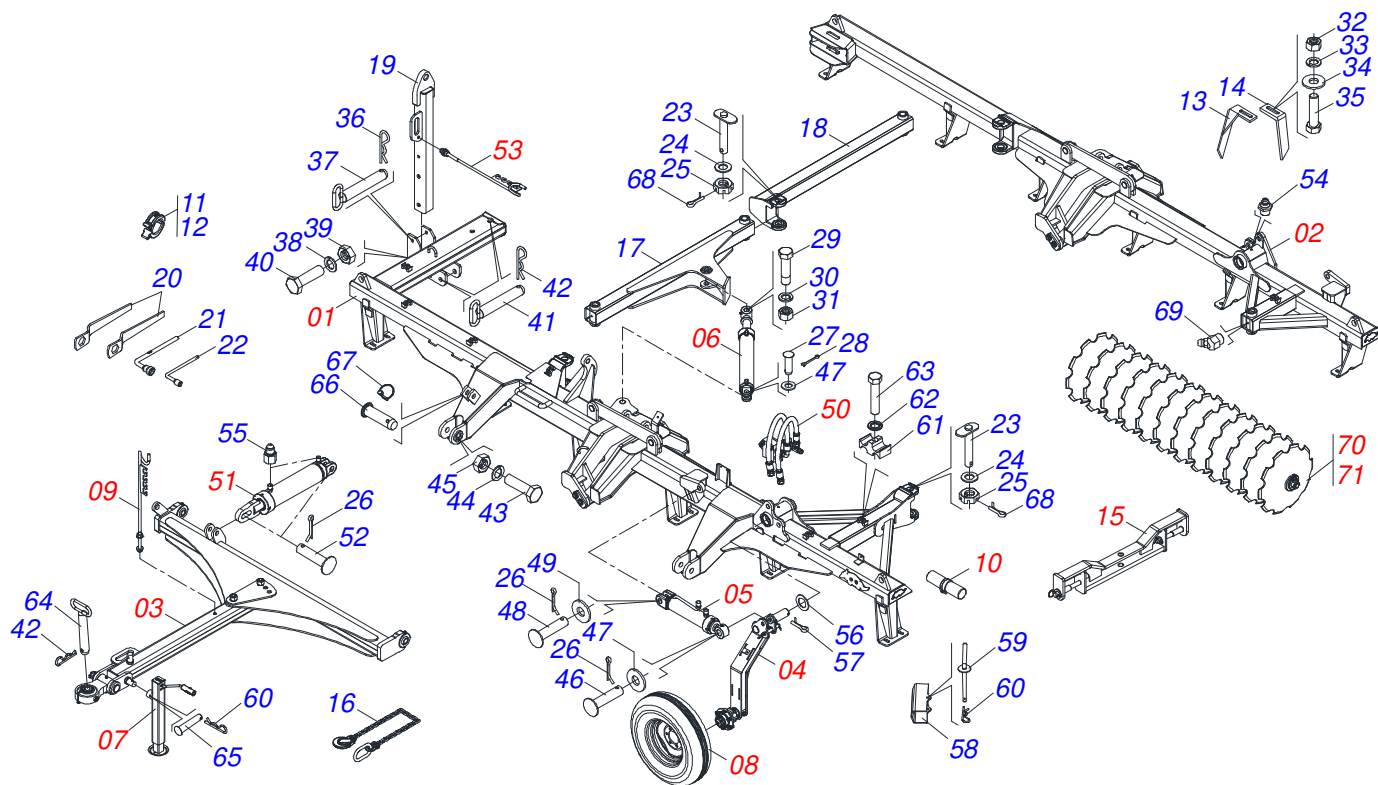


MARCHESAN

INDEX

| | | | |
|------------|---------------------------------------|-------|----|
| 0909096556 | REAR GANG DISC - 68/72/76/80/84D | | 56 |
| 0521047187 | BEARING | | 57 |
| 0521050840 | SWIVEL OIL BATH BEARING 192,5 X 1.1/2 | | 58 |

FRAME ASSY 48D



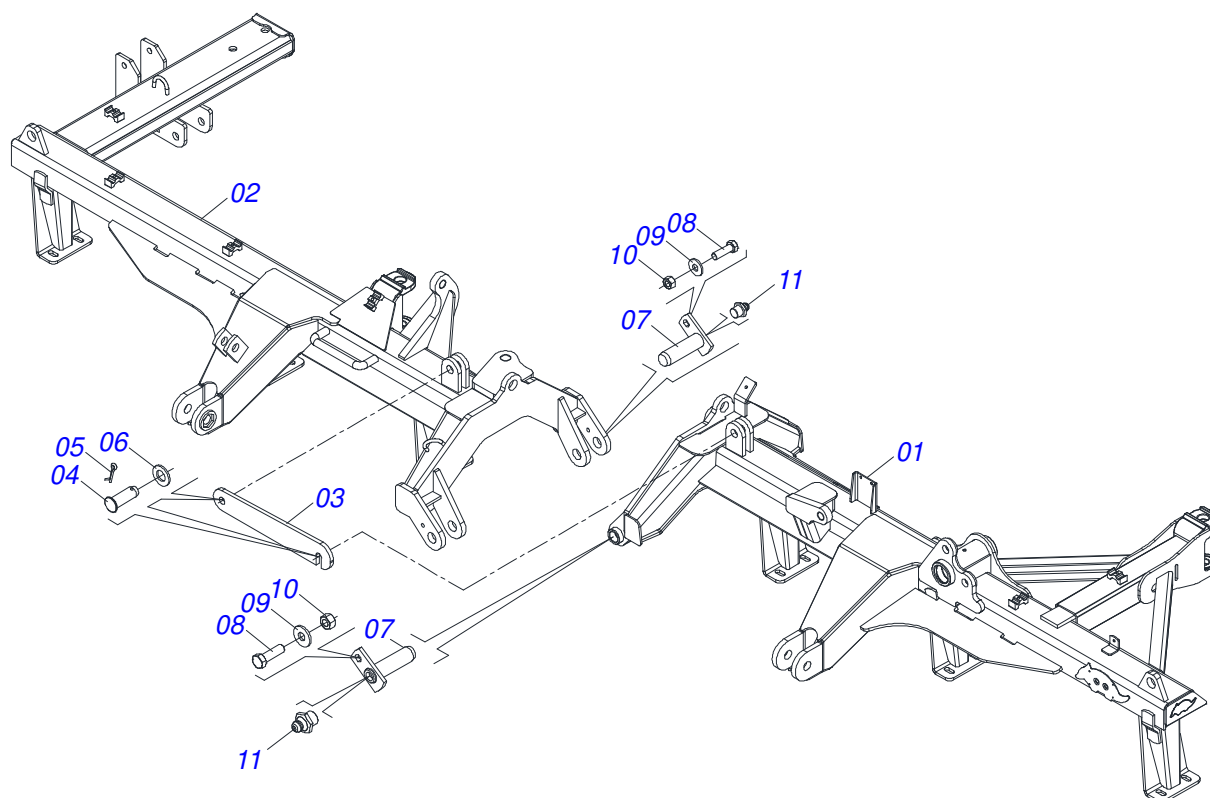
| Item | Code | Description | See page | QT |
|------|------------|--|----------|----|
| 01 | 0531053693 | FRONT SEMI-ASSEMBLED FRAME - 48D | 2 | 01 |
| 02 | 0531053695 | REAR SEMI-ASSEMBLED FRAME - 48D | 3 | 01 |
| 03 | 0521048204 | DRAWBAR ASSY 36 A 48D | 25 | 01 |
| 04 | 0521048125 | WHEELS ASSY | 31 | 02 |
| 05 | 0521056810 | HYDRAULIC CYLINDER 44,45X76,20X405X170 | 35 | 02 |
| 06 | 0511058461 | HYDRAULIC CYLINDER | 36 | 01 |
| 07 | 0503062157 | DRAWBAR JACK | 37 | 01 |
| 08 | 0503060181 | WHEEL AND TIRE | 34 | 02 |
| 09 | 0501040257 | ASSY 3/4 X 38 HOSE SUPPORT | 38 | 01 |
| 10 | 0531058158 | INSTRUCTION MANUAL CANISTER | 40 | 01 |
| 11 | 0501047895 | 25 ROD STOP | | 06 |
| 12 | 0501047885 | 30 ROD STOP | | 04 |
| 13 | 0501063963 | FRONT SCRAPER | | 17 |
| 14 | 0501063962 | REAR SCRAPER | | 17 |
| 15 | 0521058303 | CAT 2-3 TRANSPORT BAR ASSY | 39 | 01 |
| 16 | 0503013150 | 1300 X 3/8 CHAIN | | 01 |
| 17 | 0521068803 | FRONT STABILIZER BAR | | 01 |
| 18 | 0521068804 | REAR STABILIZER BAR | | 01 |
| 19 | 0521067573 | 1000 TRANSPORT BAR | | 01 |
| 20 | 0501011432 | 1-1/2" AND 1-5/8 GANG BOLT WRENCH | | 02 |
| 21 | 0501061617 | 1" GANG BOLT WRENCH | | 01 |
| 22 | 0501068273 | 5/8" WRENCH | | 01 |
| 23 | 0531019497 | 1.5" X 9.2" ARTICULATED AXIS | | 04 |
| 24 | 0531019540 | FLAT WASHER | | 04 |
| 25 | 0501011301 | 1.1/2 UNC 6FPP 2.5/16 NUT | | 06 |
| 26 | 0503010571 | 1/4" X 1.1/2 COTTERPIN | | 06 |
| 27 | 0521010779 | 31.75 X 95 COUPLING SHAFT | | 01 |
| 28 | 0503010523 | 1/4" X 2" SPLIT PIN | | 01 |
| 29 | 0501011106 | 1-1/4" X 7" SCREW | | 01 |
| 30 | 0503010070 | SPRING WASHER | | 01 |
| 31 | 0501010087 | 1.1/4" NUT | | 01 |



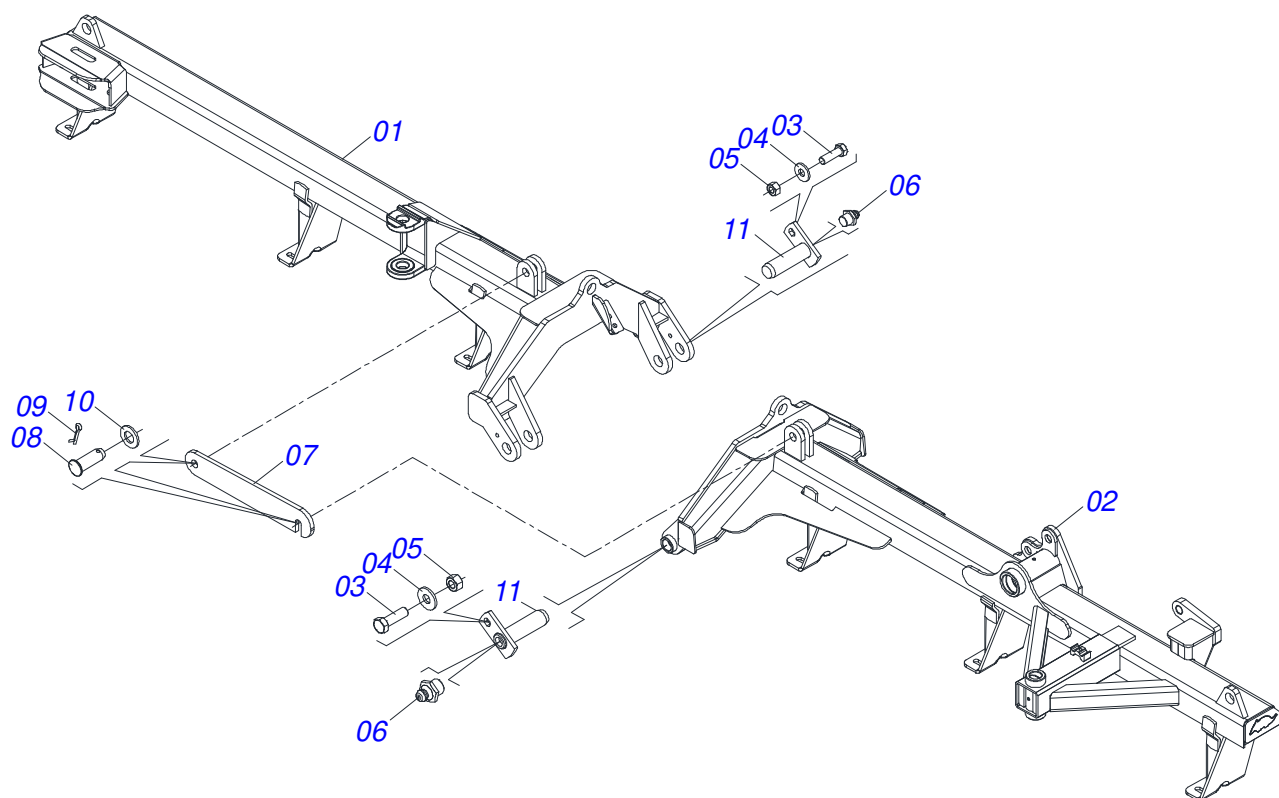
FRAME ASSY 48D

0909096549

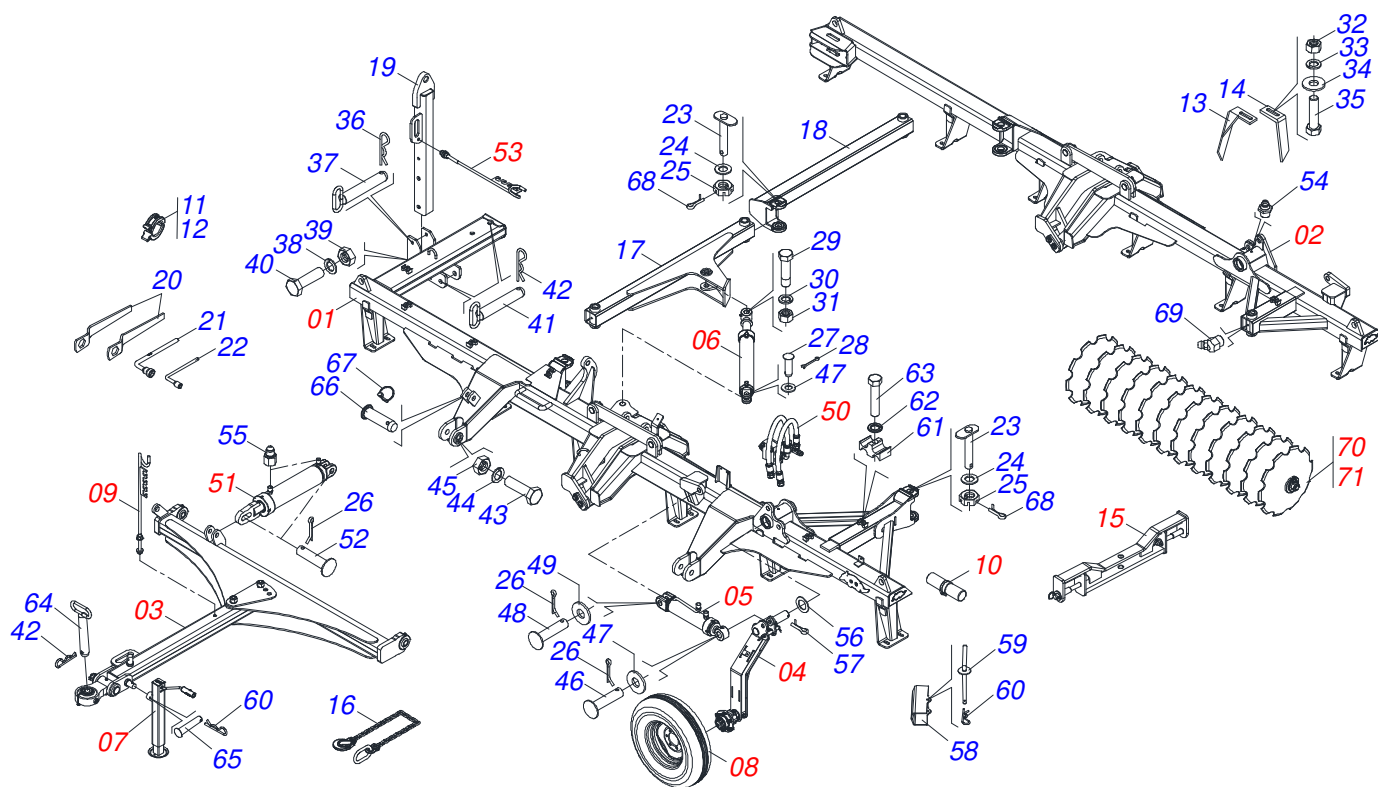
| Item | Code | Description | See page | QT |
|------|------------|---------------------------------------|----------|----|
| 32 | 0503010060 | 1/2 UNC G.5 ZN HEX NUT | | 60 |
| 33 | 0503010019 | 1/2" SPRING WASHER | | 60 |
| 34 | 0511017302 | FLAT WASHER 13,50 X 32,50 X 3,0 ZN | | 68 |
| 35 | 0503011082 | C1/2" X 1.3/4" SCREW | | 68 |
| 36 | 0503030012 | HITCH PIN CLIP | | 01 |
| 37 | 0521064088 | LOCK AXLE | | 01 |
| 38 | 0503010012 | 1" SPRING WASHER | | 01 |
| 39 | 0503012182 | 1" NUT | | 01 |
| 40 | 0501010334 | 1" X 7" BOLT | | 01 |
| 41 | 0521067644 | JUNCTION SHAFT | | 02 |
| 42 | 0503031035 | HITCH PIN CLIP | | 03 |
| 43 | 0501010426 | 1-1/4" X 6" SCREW | | 02 |
| 44 | 0503010070 | SPRING WASHER | | 02 |
| 45 | 0501010087 | 1.1/4" NUT | | 02 |
| 46 | 0521010545 | 1.2" X 5.1" COUPLING SHAFT | | 02 |
| 47 | 0501017779 | 32 X 60 X 4.75 FLAT WASHER | | 03 |
| 48 | 0521010575 | C0.9" X 3.3" COUPLING SHAFT | | 02 |
| 49 | 0501011445 | FLAT WASHER | | 02 |
| 50 | 0909094921 | HYDRAULIC CIRCUIT - 48/52/56/60/64D | 41 | 01 |
| 51 | 0521058302 | HYDRAULIC CYLINDER 44,45X85,7X600X265 | 51 | 01 |
| 52 | 0521010575 | C0.9" X 3.3" COUPLING SHAFT | | 02 |
| 53 | 0521052223 | 3/4 X 700 HOSE SUPPORT | 52 | 01 |
| 54 | 0503010002 | 1800 GREASE FITTING | | 05 |
| 55 | 0511018012 | HIDRAULIC ADAPTER | | 02 |
| 56 | 0501017579 | FLAT WASHER | | 02 |
| 57 | 0503010073 | 3/8 X 3-1/2 COTTERPIN | | 02 |
| 58 | 0591011560 | TRANSPORT LOCK 47.50 X 171 | | 02 |
| 59 | 0501068994 | 8,30 X 78 LOCK PIN | | 02 |
| 60 | 0503030168 | HITCH PIN CLIP | | 03 |
| 61 | 0502012702 | BODY SUPPORT CLAMP | | 09 |
| 62 | 0503010180 | 7/16" SPRING WASHER | | 09 |
| 63 | 0503012555 | SCREW 7/16 UNC X 2 CS RT G.7 ZN | | 09 |
| 64 | 0501069080 | COUPLING SHAFT | | 01 |
| 65 | 0521010549 | COUPLING SHAFT | | 01 |
| 66 | 0501019002 | JUNCTION SHAFT | | 01 |
| 67 | 0503030085 | LOCK PIN | | 01 |
| 68 | 0503010010 | 1/4" X 2.1/2" COTTERPIN | | 04 |
| 69 | 0503010003 | 1845 GREASE FITTING | | 02 |
| 70 | 0909096553 | FRONT GANG DISC - 48/52/56/60/64D | 53 | 01 |
| 71 | 0909096555 | REAR GANG DISC - 48/52/56/60/64D | 55 | 01 |



| Item | Code | Description | See page | QT |
|------|------------|-----------------------------|----------|----|
| 01 | 0531063278 | LEFT FRONT FRAME | | 01 |
| 02 | 0531063276 | RIGHT FRONT FRAME | | 01 |
| 03 | 0501018941 | TRANSPORT LOCK | | 01 |
| 04 | 0521010592 | 1.1" X 3.1" COUPLING SHAFT | | 02 |
| 05 | 0503010571 | 1/4" X 1.1/2 COTTERPIN | | 02 |
| 06 | 0511017480 | FLAT WASHER | | 02 |
| 07 | 0501063751 | 1.5" X 5.5" PIVOT SHAFT | | 02 |
| 08 | 0501010100 | SCREW 5/8 UNC X 2 CS G.5 ZN | | 02 |
| 09 | 0501012140 | FLAT WASHER | | 02 |
| 10 | 0503010013 | 5/8 NUT | | 02 |
| 11 | 0503010002 | 1800 GREASE FITTING | | 02 |



| Item | Code | Description | See page | QT |
|------|------------|-----------------------------|----------|----|
| 01 | 0531063280 | RIGHT REAR FRAME | | 01 |
| 02 | 0531063282 | LEFT REAR FRAME | | 01 |
| 03 | 0501010100 | SCREW 5/8 UNC X 2 CS G.5 ZN | | 02 |
| 04 | 0501012140 | FLAT WASHER | | 02 |
| 05 | 0503010013 | 5/8 NUT | | 02 |
| 06 | 0503010002 | 1800 GREASE FITTING | | 02 |
| 07 | 0501018941 | TRANSPORT LOCK | | 01 |
| 08 | 0521010592 | 1.1" X 3.1" COUPLING SHAFT | | 02 |
| 09 | 0503010571 | 1/4" X 1.1/2 COTTERPIN | | 02 |
| 10 | 0511017480 | FLAT WASHER | | 02 |
| 11 | 0501063751 | 1.5" X 5.5" PIVOT SHAFT | | 02 |



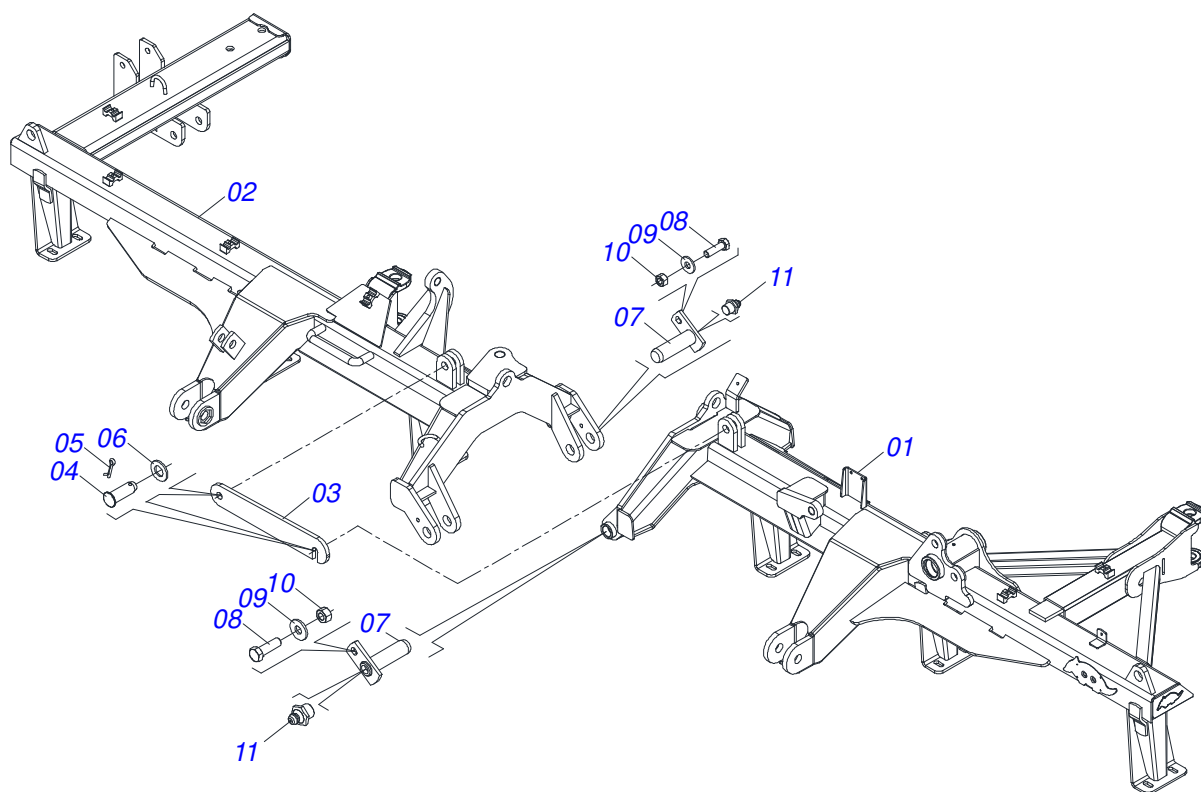
| Item | Code | Description | See page | 52 | 56 | 60 |
|------|------------|--|----------|----|----|----|
| 01 | 0531053697 | FRONT SEMI-ASSEMBLED FRAME - 52D | 5 | 01 | 00 | 00 |
| 01. | 0531053701 | FRONT SEMI-ASSEMBLED FRAME - 56D | 6 | 00 | 01 | 00 |
| 01.. | 0531053709 | FRONT SEMI-ASSEMBLED FRAME - 60D | 7 | 00 | 00 | 01 |
| 02 | 0531053699 | REAR SEMI-ASSEMBLED FRAME - 52D | 8 | 01 | 00 | 00 |
| 02. | 0531053703 | REAR SEMI-ASSEMBLED FRAME - 56D | 9 | 00 | 01 | 00 |
| 02.. | 0531053711 | REAR SEMI-ASSEMBLED FRAME - 60D | 10 | 00 | 00 | 01 |
| 03 | 0521044870 | DRAWBAR ASSY | 26 | 01 | 01 | 01 |
| 04 | 0521048125 | WHEELS ASSY | 31 | 02 | 02 | 02 |
| 05 | 0521056810 | HYDRAULIC CYLINDER 44,45X76,20X405X170 | 35 | 02 | 02 | 02 |
| 06 | 0511058461 | HYDRAULIC CYLINDER | 36 | 01 | 01 | 01 |
| 07 | 0503062157 | DRAWBAR JACK | 37 | 01 | 01 | 01 |
| 08 | 0503060181 | WHEEL AND TIRE | 34 | 02 | 02 | 02 |
| 09 | 0501040257 | ASSY 3/4 X 38 HOSE SUPPORT | 38 | 01 | 01 | 01 |
| 10 | 0531058158 | INSTRUCTION MANUAL CANISTER | 40 | 01 | 01 | 01 |
| 11 | 0501047895 | 25 ROD STOP | | 06 | 06 | 06 |
| 12 | 0501047885 | 30 ROD STOP | | 04 | 04 | 04 |
| 13 | 0501063963 | FRONT SCRAPER | | 19 | 21 | 23 |
| 14 | 0501063962 | REAR SCRAPER | | 19 | 21 | 23 |
| 15 | 0521058303 | CAT 2-3 TRANSPORT BAR ASSY | 39 | 01 | 01 | 01 |
| 16 | 0503013150 | 1300 X 3/8 CHAIN | | 01 | 01 | 01 |
| 17 | 0521068803 | FRONT STABILIZER BAR | | 01 | 01 | 01 |
| 18 | 0521068804 | REAR STABILIZER BAR | | 01 | 01 | 01 |
| 19 | 0521067573 | 1000 TRANSPORT BAR | | 01 | 01 | 01 |
| 20 | 0501011432 | 1-1/2" AND 1-5/8 GANG BOLT WRENCH | | 02 | 02 | 02 |
| 21 | 0501061617 | 1" GANG BOLT WRENCH | | 01 | 01 | 01 |
| 22 | 0501068273 | 5/8" WRENCH | | 01 | 01 | 01 |
| 23 | 0531019497 | 1.5" X 9.2" ARTICULATED AXIS | | 04 | 04 | 04 |
| 24 | 0531019540 | FLAT WASHER | | 04 | 04 | 04 |
| 25 | 0501011301 | 1.1/2 UNC 6FPP 2.5/16 NUT | | 06 | 06 | 06 |
| 26 | 0503010571 | 1/4" X 1.1/2 COTTERPIN | | 06 | 06 | 06 |
| 27 | 0521010779 | 31.75 X 95 COUPLING SHAFT | | 01 | 01 | 01 |



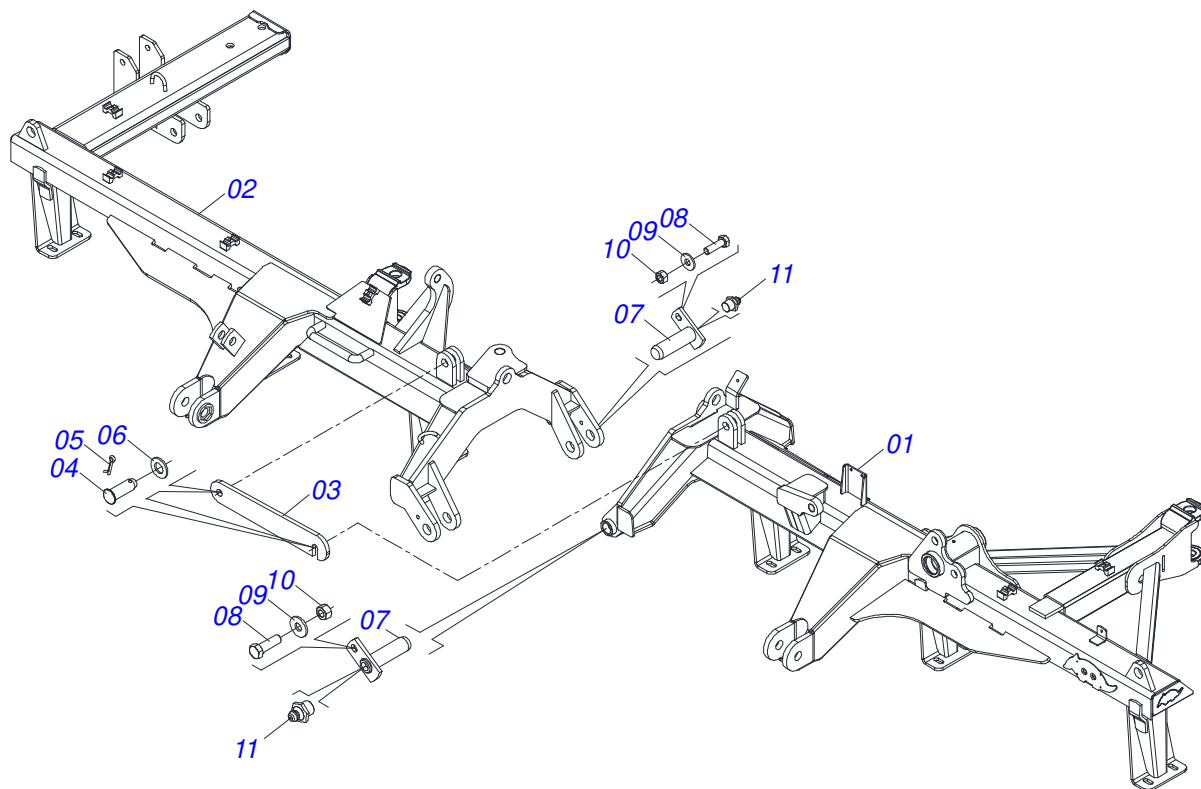
FRAME ASSY 52/56/60D

0909096550

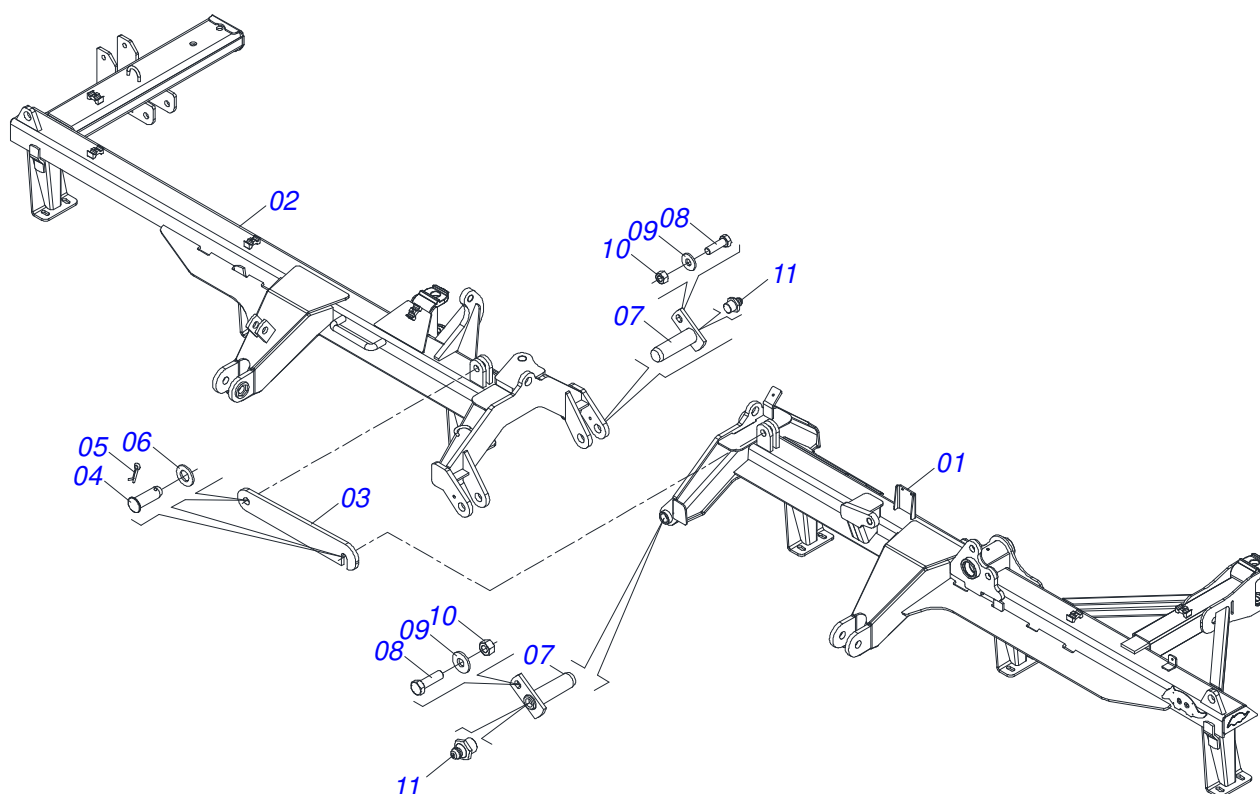
| Item | Code | Description | See page | 52 | 56 | 60 |
|------|------------|---------------------------------------|----------|----|----|----|
| 28 | 0503010523 | 1/4" X 2" SPLIT PIN | | 01 | 01 | 01 |
| 29 | 0501011106 | 1-1/4" X 7" SCREW | | 01 | 01 | 01 |
| 30 | 0503010070 | SPRING WASHER | | 01 | 01 | 01 |
| 31 | 0501010087 | 1.1/4" NUT | | 01 | 01 | 01 |
| 32 | 0503010060 | 1/2 UNC G.5 ZN HEX NUT | | 68 | 66 | 84 |
| 33 | 0503010019 | 1/2" SPRING WASHER | | 68 | 66 | 84 |
| 34 | 0511017302 | FLAT WASHER 13,50 X 32,50 X 3,0 ZN | | 76 | 74 | 92 |
| 35 | 0503011082 | C1/2" X 1.3/4" SCREW | | 76 | 74 | 92 |
| 36 | 0503030012 | HITCH PIN CLIP | | 01 | 01 | 01 |
| 37 | 0521064088 | LOCK AXLE | | 01 | 01 | 01 |
| 38 | 0503010012 | 1" SPRING WASHER | | 01 | 01 | 01 |
| 39 | 0503012182 | 1" NUT | | 01 | 01 | 01 |
| 40 | 0501010334 | 1" X 7" BOLT | | 01 | 01 | 01 |
| 41 | 0521067644 | JUNCTION SHAFT | | 02 | 02 | 02 |
| 42 | 0503031035 | HITCH PIN CLIP | | 03 | 03 | 03 |
| 43 | 0501010426 | 1-1/4" X 6" SCREW | | 02 | 02 | 02 |
| 44 | 0503010070 | SPRING WASHER | | 02 | 02 | 02 |
| 45 | 0501010087 | 1.1/4" NUT | | 02 | 02 | 02 |
| 46 | 0521010545 | 1.2" X 5.1" COUPLING SHAFT | | 02 | 02 | 02 |
| 47 | 0501017779 | 32 X 60 X 4.75 FLAT WASHER | | 03 | 03 | 03 |
| 48 | 0521010575 | C0.9" X 3.3" COUPLING SHAFT | | 02 | 02 | 02 |
| 49 | 0501011445 | FLAT WASHER | | 02 | 02 | 02 |
| 50 | 0909094921 | HYDRAULIC CIRCUIT - 48/52/56/60/64D | 41 | 01 | 01 | 01 |
| 51 | 0521058302 | HYDRAULIC CYLINDER 44,45X85,7X600X265 | 51 | 01 | 01 | 01 |
| 52 | 0521010575 | C0.9" X 3.3" COUPLING SHAFT | | 02 | 02 | 02 |
| 53 | 0521052223 | 3/4 X 700 HOSE SUPPORT | 52 | 01 | 01 | 01 |
| 54 | 0503010002 | 1800 GREASE FITTING | | 05 | 05 | 05 |
| 55 | 0511018012 | HIDRAULIC ADAPTER | | 02 | 02 | 02 |
| 56 | 0501017579 | FLAT WASHER | | 02 | 02 | 02 |
| 57 | 0503010073 | 3/8 X 3-1/2 COTTERPIN | | 02 | 02 | 02 |
| 58 | 0591011560 | TRANSPORT LOCK 47.50 X 171 | | 02 | 02 | 02 |
| 59 | 0501068994 | 8,30 X 78 LOCK PIN | | 02 | 02 | 02 |
| 60 | 0503030168 | HITCH PIN CLIP | | 03 | 03 | 03 |
| 61 | 0502012702 | BODY SUPPORT CLAMP | | 09 | 10 | 10 |
| 62 | 0503010180 | 7/16" SPRING WASHER | | 09 | 10 | 10 |
| 63 | 0503012555 | SCREW 7/16 UNC X 2 CS RT G.7 ZN | | 09 | 10 | 10 |
| 64 | 0501069080 | COUPLING SHAFT | | 01 | 01 | 01 |
| 65 | 0521010549 | COUPLING SHAFT | | 01 | 01 | 01 |
| 66 | 0501019002 | JUNCTION SHAFT | | 01 | 01 | 01 |
| 67 | 0503030085 | LOCK PIN | | 01 | 01 | 01 |
| 68 | 0503010010 | 1/4" X 2.1/2" COTTERPIN | | 04 | 04 | 04 |
| 69 | 0503010003 | 1845 GREASE FITTING | | 02 | 02 | 02 |
| 70 | 0909096553 | FRONT GANG DISC - 48/52/56/60/64D | 53 | 01 | 01 | 01 |
| 71 | 0909096555 | REAR GANG DISC - 48/52/56/60/64D | 55 | 01 | 01 | 01 |



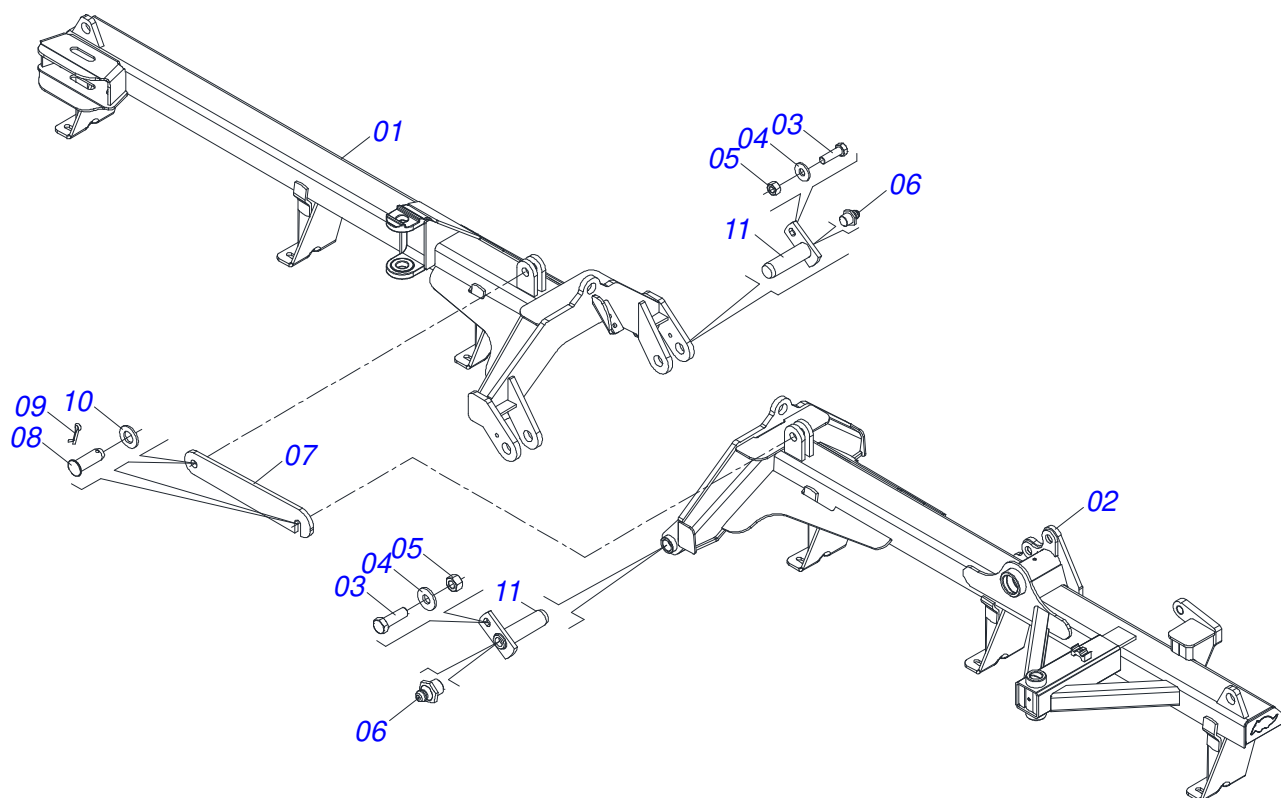
| Item | Code | Description | See page | QT |
|------|------------|-----------------------------|----------|----|
| 01 | 0531063286 | LEFT FRONT FRAME | | 01 |
| 02 | 0531063284 | RIGHT FRONT FRAME | | 01 |
| 03 | 0501018941 | TRANSPORT LOCK | | 01 |
| 04 | 0521010592 | 1.1" X 3.1" COUPLING SHAFT | | 02 |
| 05 | 0503010571 | 1/4" X 1.1/2 COTTERPIN | | 02 |
| 06 | 0511017480 | FLAT WASHER | | 02 |
| 07 | 0501063751 | 1.5" X 5.5" PIVOT SHAFT | | 02 |
| 08 | 0501010100 | SCREW 5/8 UNC X 2 CS G.5 ZN | | 02 |
| 09 | 0501012140 | FLAT WASHER | | 02 |
| 10 | 0503010013 | 5/8 NUT | | 02 |
| 11 | 0503010002 | 1800 GREASE FITTING | | 02 |



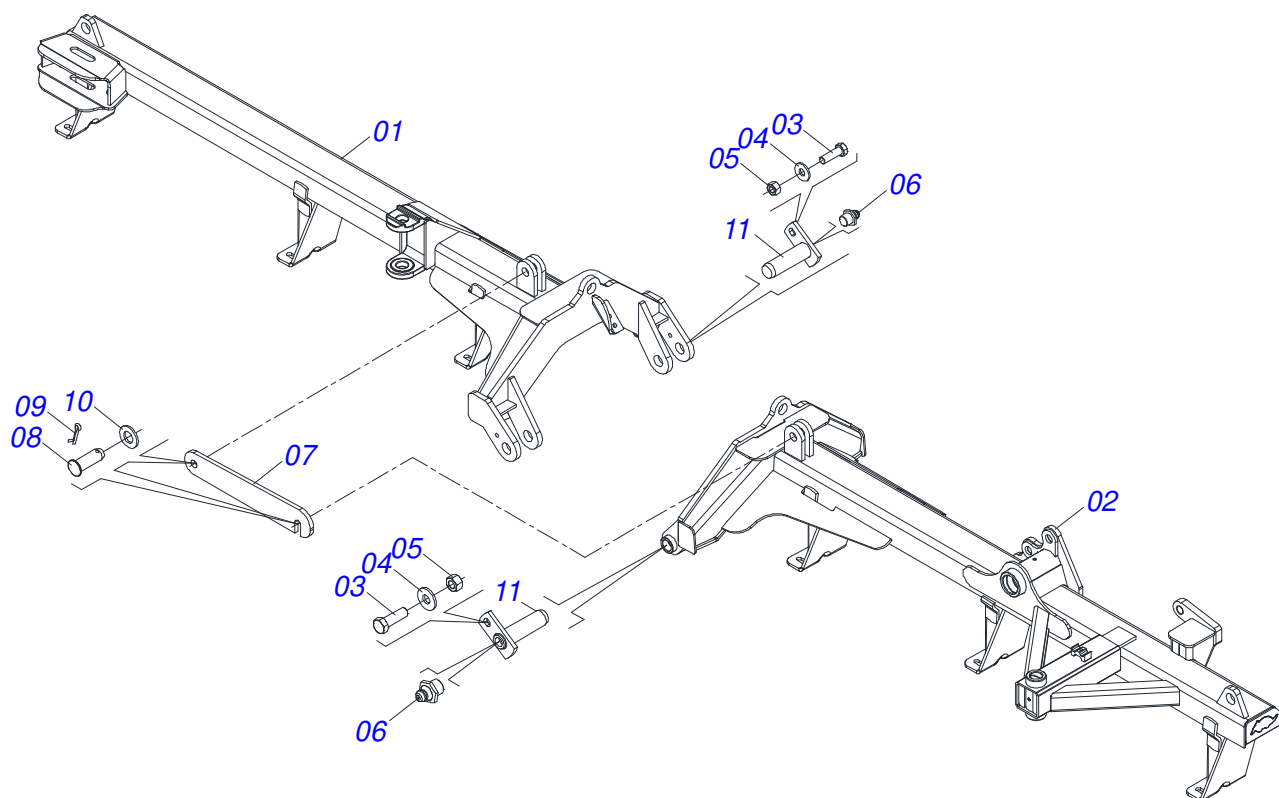
| Item | Code | Description | See page | QT |
|------|------------|-----------------------------|----------|----|
| 01 | 0531063294 | LEFT FRONT FRAME | | 01 |
| 02 | 0531063292 | RIGHT FRONT FRAME | | 01 |
| 03 | 0501018941 | TRANSPORT LOCK | | 01 |
| 04 | 0521010592 | 1.1" X 3.1" COUPLING SHAFT | | 02 |
| 05 | 0503010571 | 1/4" X 1.1/2 COTTERPIN | | 02 |
| 06 | 0511017480 | FLAT WASHER | | 02 |
| 07 | 0501063751 | 1.5" X 5.5" PIVOT SHAFT | | 02 |
| 08 | 0501010100 | SCREW 5/8 UNC X 2 CS G.5 ZN | | 02 |
| 09 | 0501012140 | FLAT WASHER | | 02 |
| 10 | 0503010013 | 5/8 NUT | | 02 |
| 11 | 0503010002 | 1800 GREASE FITTING | | 02 |



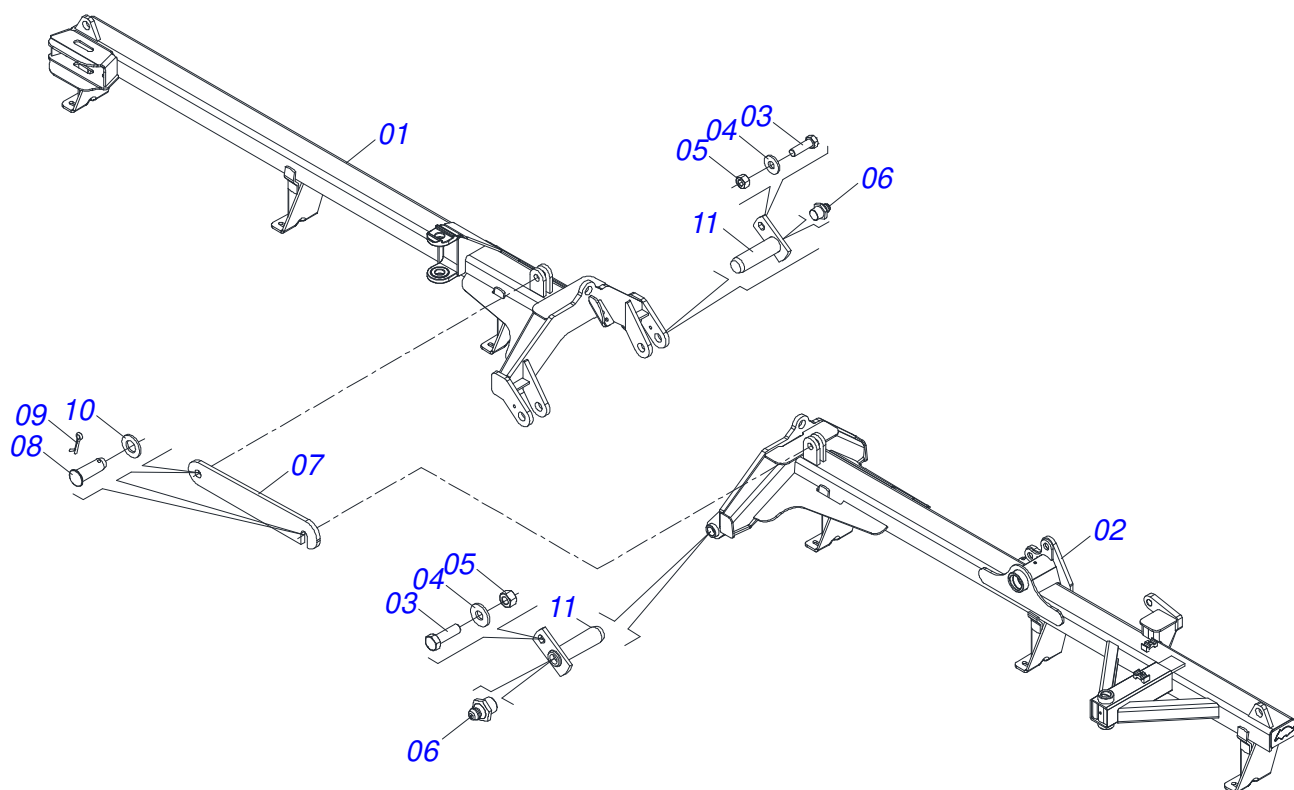
| Item | Code | Description | See page | QT |
|------|------------|-----------------------------|----------|----|
| 01 | 0531063302 | LEFT FRONT FRAME | | 01 |
| 02 | 0531063300 | RIGHT FRONT FRAME | | 01 |
| 03 | 0501018941 | TRANSPORT LOCK | | 01 |
| 04 | 0521010592 | 1.1" X 3.1" COUPLING SHAFT | | 02 |
| 05 | 0503010571 | 1/4" X 1.1/2 COTTERPIN | | 02 |
| 06 | 0511017480 | FLAT WASHER | | 02 |
| 07 | 0501063751 | 1.5" X 5.5" PIVOT SHAFT | | 02 |
| 08 | 0501010100 | SCREW 5/8 UNC X 2 CS G.5 ZN | | 02 |
| 09 | 0501012140 | FLAT WASHER | | 02 |
| 10 | 0503010013 | 5/8 NUT | | 02 |
| 11 | 0503010002 | 1800 GREASE FITTING | | 02 |



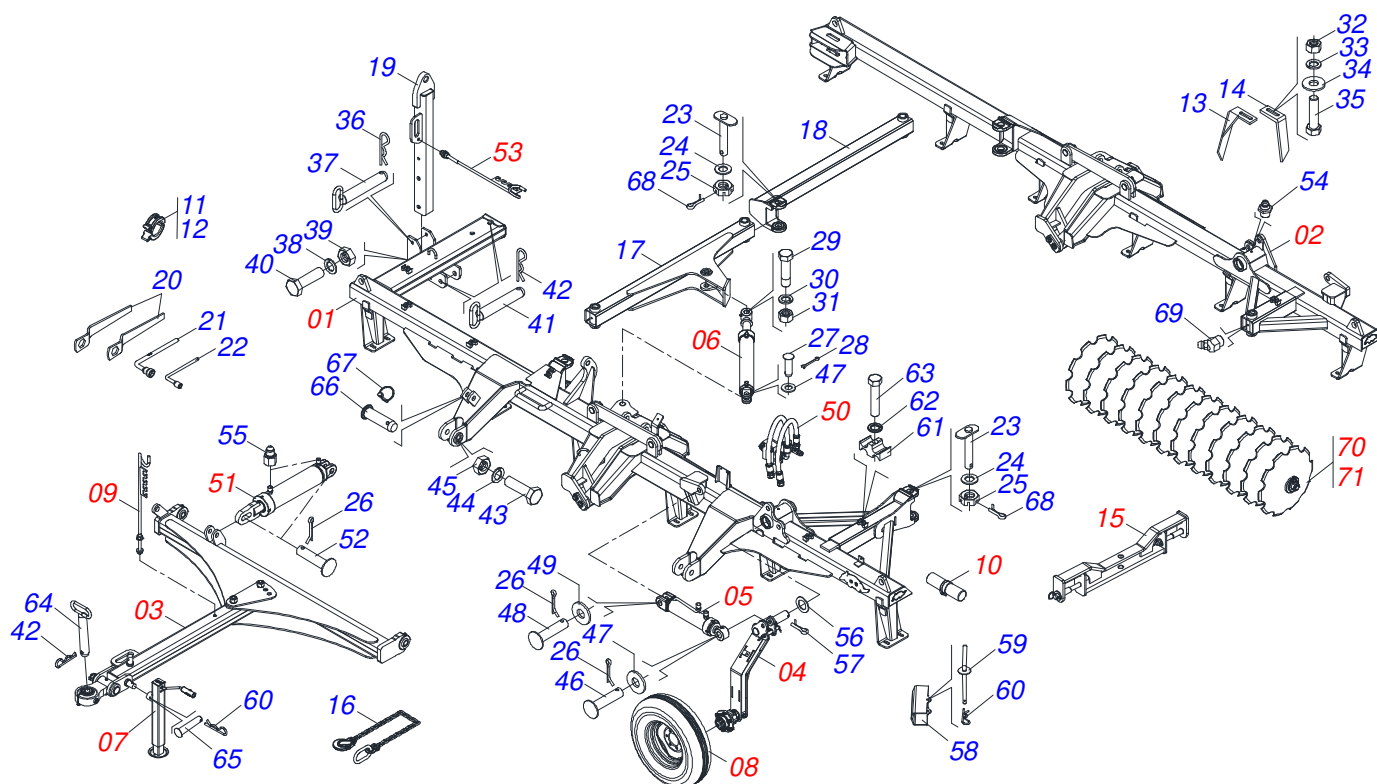
| Item | Code | Description | See page | QT |
|------|------------|-----------------------------|----------|----|
| 01 | 0531063288 | RIGHT REAR FRAME | | 01 |
| 02 | 0531063290 | LEFT REAR FRAME | | 01 |
| 03 | 0501010100 | SCREW 5/8 UNC X 2 CS G.5 ZN | | 02 |
| 04 | 0501012140 | FLAT WASHER | | 02 |
| 05 | 0503010013 | 5/8 NUT | | 02 |
| 06 | 0503010002 | 1800 GREASE FITTING | | 02 |
| 07 | 0501018941 | TRANSPORT LOCK | | 01 |
| 08 | 0521010592 | 1.1" X 3.1" COUPLING SHAFT | | 02 |
| 09 | 0503010571 | 1/4" X 1.1/2 COTTERPIN | | 02 |
| 10 | 0511017480 | FLAT WASHER | | 02 |
| 11 | 0501063751 | 1.5" X 5.5" PIVOT SHAFT | | 02 |



| Item | Code | Description | See page | QT |
|------|------------|-----------------------------|----------|----|
| 01 | 0531063298 | RIGHT REAR FRAME | | 01 |
| 02 | 0531063296 | LEFT FRONT FRAME | | 01 |
| 03 | 0501010100 | SCREW 5/8 UNC X 2 CS G.5 ZN | | 02 |
| 04 | 0501012140 | FLAT WASHER | | 02 |
| 05 | 0503010013 | 5/8 NUT | | 02 |
| 06 | 0503010002 | 1800 GREASE FITTING | | 02 |
| 07 | 0501018941 | TRANSPORT LOCK | | 01 |
| 08 | 0521010592 | 1.1" X 3.1" COUPLING SHAFT | | 02 |
| 09 | 0503010571 | 1/4" X 1.1/2 COTTERPIN | | 02 |
| 10 | 0511017480 | FLAT WASHER | | 02 |
| 11 | 0501063751 | 1.5" X 5.5" PIVOT SHAFT | | 02 |



| Item | Code | Description | See page | QT |
|------|------------|-----------------------------|----------|----|
| 01 | 0531063304 | RIGHT REAR FRAME | | 01 |
| 02 | 0531063306 | LEFT REAR FRAME | | 01 |
| 03 | 0501010100 | SCREW 5/8 UNC X 2 CS G.5 ZN | | 02 |
| 04 | 0501012140 | FLAT WASHER | | 02 |
| 05 | 0503010013 | 5/8 NUT | | 02 |
| 06 | 0503010002 | 1800 GREASE FITTING | | 02 |
| 07 | 0501018941 | TRANSPORT LOCK | | 01 |
| 08 | 0521010592 | 1.1" X 3.1" COUPLING SHAFT | | 02 |
| 09 | 0503010571 | 1/4" X 1.1/2 COTTERPIN | | 02 |
| 10 | 0511017480 | FLAT WASHER | | 02 |
| 11 | 0501063751 | 1.5" X 5.5" PIVOT SHAFT | | 02 |



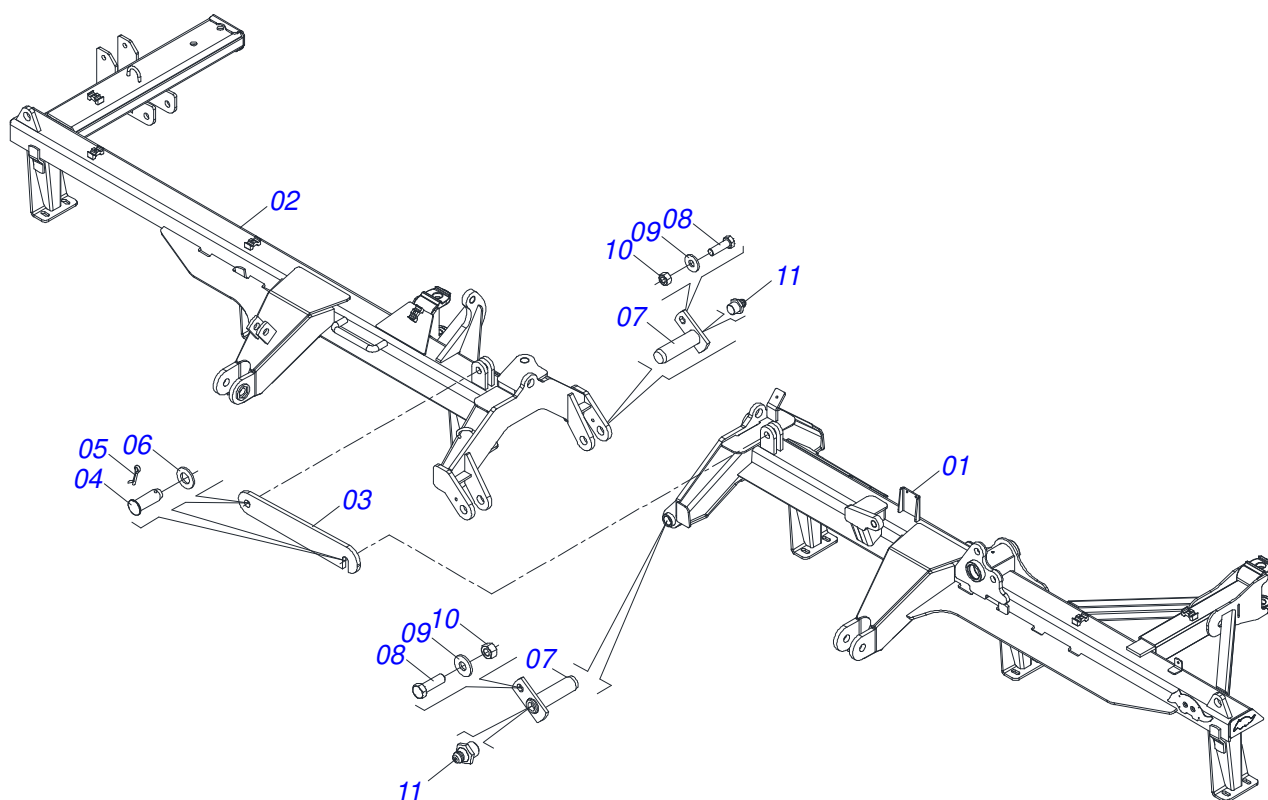
| Item | Code | Description | See page | 064 068 072 |
|------|------------|--|----------|-------------|
| 01 | 0531053731 | FRONT SEMI-ASSEMBLED FRAME - 64D | 12 | 001 000 000 |
| 01. | 0531053727 | FRONT SEMI-ASSEMBLED FRAME - 68D | 13 | 000 001 000 |
| 01.. | 0531053723 | FRONT SEMI-ASSEMBLED FRAME - 72D | 14 | 000 000 001 |
| 02 | 0531053733 | REAR SEMI-ASSEMBLED FRAME - 64D | 15 | 001 000 000 |
| 02. | 0531053729 | REAR SEMI-ASSEMBLED FRAME - 68D | 16 | 000 001 000 |
| 02.. | 0531053725 | REAR SEMI-ASSEMBLED FRAME - 72D | 17 | 000 000 001 |
| 03 | 0521044870 | DRAWBAR ASSY | 26 | 001 001 001 |
| 04 | 0521048125 | WHEELS ASSY | 31 | 002 002 002 |
| 05 | 0521056810 | HYDRAULIC CYLINDER 44,45X76,20X405X170 | 35 | 002 002 002 |
| 06 | 0511058461 | HYDRAULIC CYLINDER | 36 | 001 001 001 |
| 07 | 0503062157 | DRAWBAR JACK | 37 | 001 001 001 |
| 08 | 0503060181 | WHEEL AND TIRE | 34 | 002 002 002 |
| 09 | 0501040257 | ASSY 3/4 X 38 HOSE SUPPORT | 38 | 001 001 001 |
| 10 | 0531058158 | INSTRUCTION MANUAL CANISTER | 40 | 001 001 001 |
| 11 | 0501047895 | 25 ROD STOP | | 006 006 006 |
| 12 | 0501047885 | 30 ROD STOP | | 004 004 004 |
| 13 | 0501063963 | FRONT SCRAPER | | 025 026 029 |
| 14 | 0501063962 | REAR SCRAPER | | 025 026 029 |
| 15 | 0521058303 | CAT 2-3 TRANSPORT BAR ASSY | 39 | 001 001 001 |
| 16 | 0503013150 | 1300 X 3/8 CHAIN | | 001 001 001 |
| 17 | 0521065407 | FRONT STABILIZER BAR | | 001 001 001 |
| 18 | 0521065406 | REAR STABILIZER BAR | | 001 001 001 |
| 19 | 0521067573 | 1000 TRANSPORT BAR | | 001 001 001 |
| 20 | 0501011432 | 1-1/2" AND 1-5/8 GANG BOLT WRENCH | | 002 002 002 |
| 21 | 0501061617 | 1" GANG BOLT WRENCH | | 001 001 001 |
| 22 | 0501068273 | 5/8" WRENCH | | 001 001 001 |
| 23 | 0531019497 | 1.5" X 9.2" ARTICULATED AXIS | | 004 004 004 |
| 24 | 0531019540 | FLAT WASHER | | 004 004 004 |
| 25 | 0501011301 | 1.1/2 UNC 6FPP 2.5/16 NUT | | 006 006 006 |
| 26 | 0503010571 | 1/4" X 1.1/2 COTTERPIN | | 006 006 006 |
| 27 | 0521010779 | 31.75 X 95 COUPLING SHAFT | | 001 001 001 |



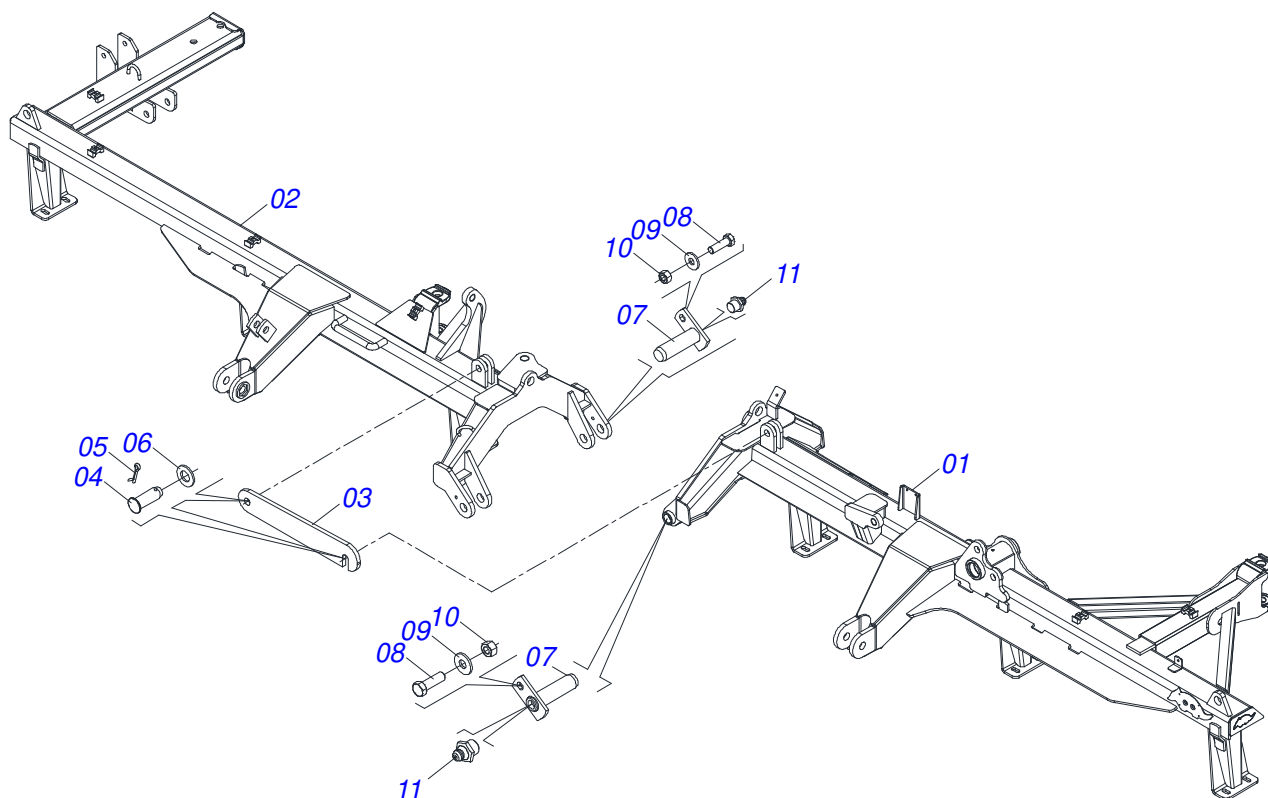
FRAME ASSY 64/68/72D

0909096551

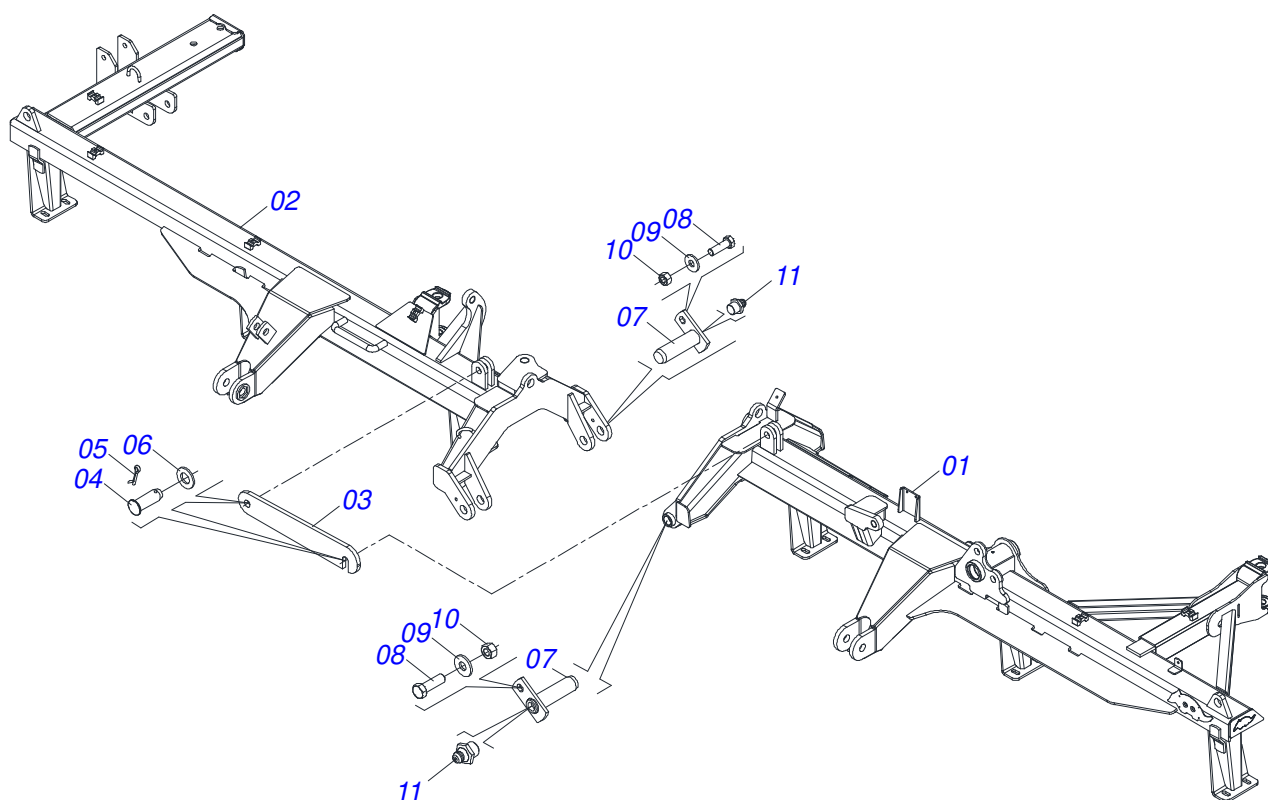
| Item | Code | Description | See page | 064 068 072 |
|------|------------|---------------------------------------|----------|-------------|
| 28 | 0503010523 | 1/4" X 2" SPLIT PIN | | 001 001 001 |
| 29 | 0501011106 | 1-1/4" X 7" SCREW | | 001 001 001 |
| 30 | 0503010070 | SPRING WASHER | | 001 001 001 |
| 31 | 0501010087 | 1.1/4" NUT | | 001 001 001 |
| 32 | 0503010060 | 1/2 UNC G.5 ZN HEX NUT | | 092 096 108 |
| 33 | 0503010019 | 1/2" SPRING WASHER | | 092 096 116 |
| 34 | 0511017302 | FLAT WASHER 13,50 X 32,50 X 3,0 ZN | | 100 104 116 |
| 35 | 0503011082 | C1/2" X 1.3/4" SCREW | | 100 104 108 |
| 36 | 0503030012 | HITCH PIN CLIP | | 001 001 001 |
| 37 | 0521064088 | LOCK AXLE | | 001 001 001 |
| 38 | 0503010012 | 1" SPRING WASHER | | 001 001 001 |
| 39 | 0503012182 | 1" NUT | | 001 001 001 |
| 40 | 0501010334 | 1" X 7" BOLT | | 001 001 001 |
| 41 | 0521067644 | JUNCTION SHAFT | | 002 002 002 |
| 42 | 0503031035 | HITCH PIN CLIP | | 003 003 003 |
| 43 | 0501010426 | 1-1/4" X 6" SCREW | | 002 002 002 |
| 44 | 0503010070 | SPRING WASHER | | 002 002 002 |
| 45 | 0501010087 | 1.1/4" NUT | | 002 002 002 |
| 46 | 0521010545 | 1.2" X 5.1" COUPLING SHAFT | | 002 002 002 |
| 47 | 0501017779 | 32 X 60 X 4.75 FLAT WASHER | | 003 003 003 |
| 48 | 0521010575 | C0.9" X 3.3" COUPLING SHAFT | | 002 002 002 |
| 49 | 0501011445 | FLAT WASHER | | 002 002 002 |
| 50 | 0909094921 | HYDRAULIC CIRCUIT - 48/52/56/60/64D | 41 | 001 000 000 |
| 50. | 0909094922 | HYDRAULIC CIRCUIT - 68/72/76/80/84D | 49 | 000 001 001 |
| 51 | 0521058302 | HYDRAULIC CYLINDER 44,45X85,7X600X265 | 51 | 001 001 001 |
| 52 | 0521010575 | C0.9" X 3.3" COUPLING SHAFT | | 002 002 002 |
| 53 | 0521052223 | 3/4 X 700 HOSE SUPPORT | 52 | 001 001 001 |
| 54 | 0503010002 | 1800 GREASE FITTING | | 005 005 005 |
| 55 | 0511018012 | HIDRAULIC ADAPTER | | 002 002 002 |
| 56 | 0501017579 | FLAT WASHER | | 002 002 002 |
| 57 | 0503010073 | 3/8 X 3-1/2 COTTERPIN | | 002 002 002 |
| 58 | 0591011560 | TRANSPORT LOCK 47.50 X 171 | | 002 002 002 |
| 59 | 0501068994 | 8,30 X 78 LOCK PIN | | 002 002 002 |
| 60 | 0503030168 | HITCH PIN CLIP | | 003 003 003 |
| 61 | 0502012702 | BODY SUPPORT CLAMP | | 010 010 010 |
| 62 | 0503010180 | 7/16" SPRING WASHER | | 010 010 010 |
| 63 | 0503012555 | SCREW 7/16 UNC X 2 CS RT G.7 ZN | | 010 010 010 |
| 64 | 0501069080 | COUPLING SHAFT | | 001 001 001 |
| 65 | 0521010549 | COUPLING SHAFT | | 001 001 001 |
| 66 | 0501019002 | JUNCTION SHAFT | | 001 001 001 |
| 67 | 0503030085 | LOCK PIN | | 001 001 001 |
| 68 | 0503010010 | 1/4" X 2.1/2" COTTERPIN | | 004 004 004 |
| 69 | 0503010003 | 1845 GREASE FITTING | | 002 002 002 |
| 70 | 0909096553 | FRONT GANG DISC - 48/52/56/60/64D | 53 | 001 000 000 |
| 70. | 0909096554 | FRONT GANG DISC - 68/72/76/80/84D | 54 | 000 001 001 |
| 71 | 0909096555 | REAR GANG DISC - 48/52/56/60/64D | 55 | 001 000 000 |
| 71. | 0909096556 | REAR GANG DISC - 68/72/76/80/84D | 56 | 000 001 001 |



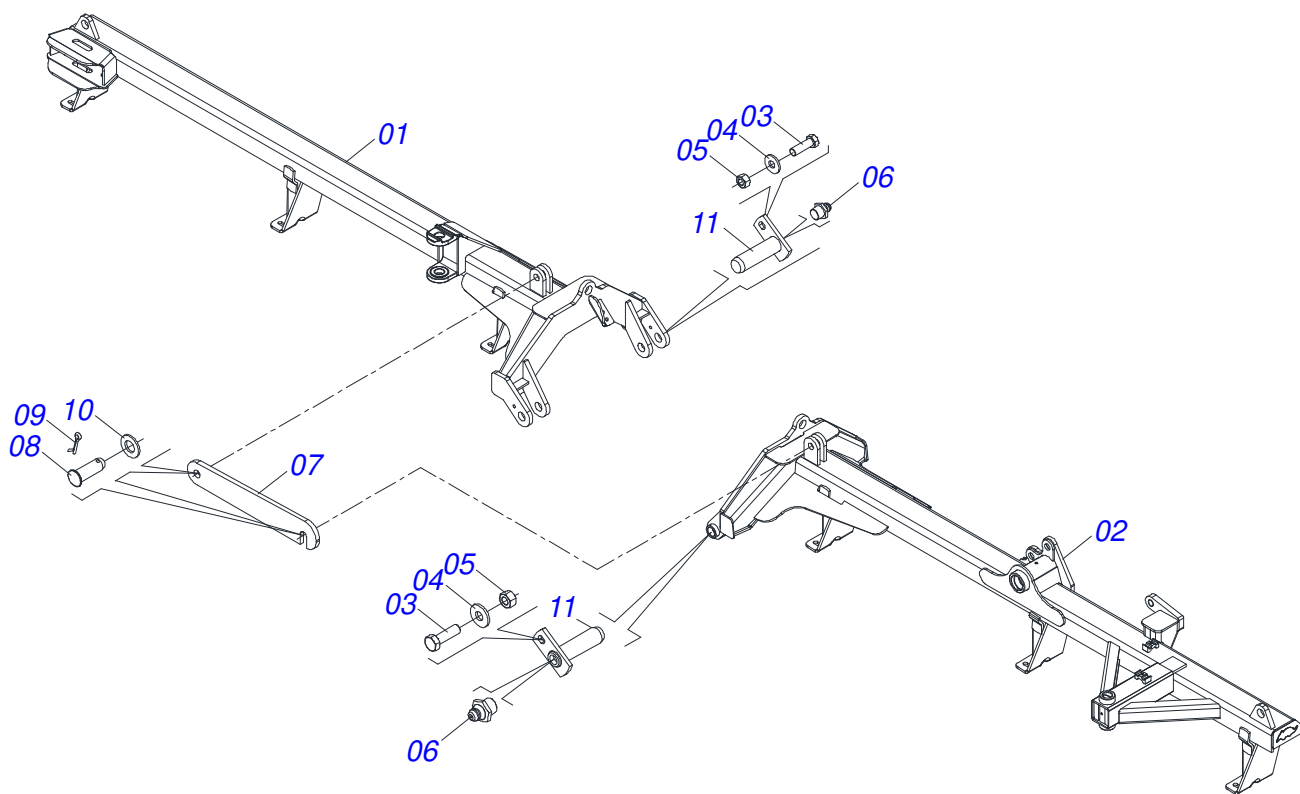
| Item | Code | Description | See page | QT |
|------|------------|-----------------------------|----------|----|
| 01 | 0531063352 | LEFT FRONT FRAME | | 01 |
| 02 | 0531063350 | RIGHT FRONT FRAME | | 01 |
| 03 | 0501018941 | TRANSPORT LOCK | | 01 |
| 04 | 0521010592 | 1.1" X 3.1" COUPLING SHAFT | | 02 |
| 05 | 0503010571 | 1/4" X 1.1/2 COTTERPIN | | 02 |
| 06 | 0511017480 | FLAT WASHER | | 02 |
| 07 | 0501063751 | 1.5" X 5.5" PIVOT SHAFT | | 02 |
| 08 | 0501010100 | SCREW 5/8 UNC X 2 CS G.5 ZN | | 02 |
| 09 | 0501012140 | FLAT WASHER | | 02 |
| 10 | 0503010013 | 5/8 NUT | | 02 |
| 11 | 0503010002 | 1800 GREASE FITTING | | 02 |



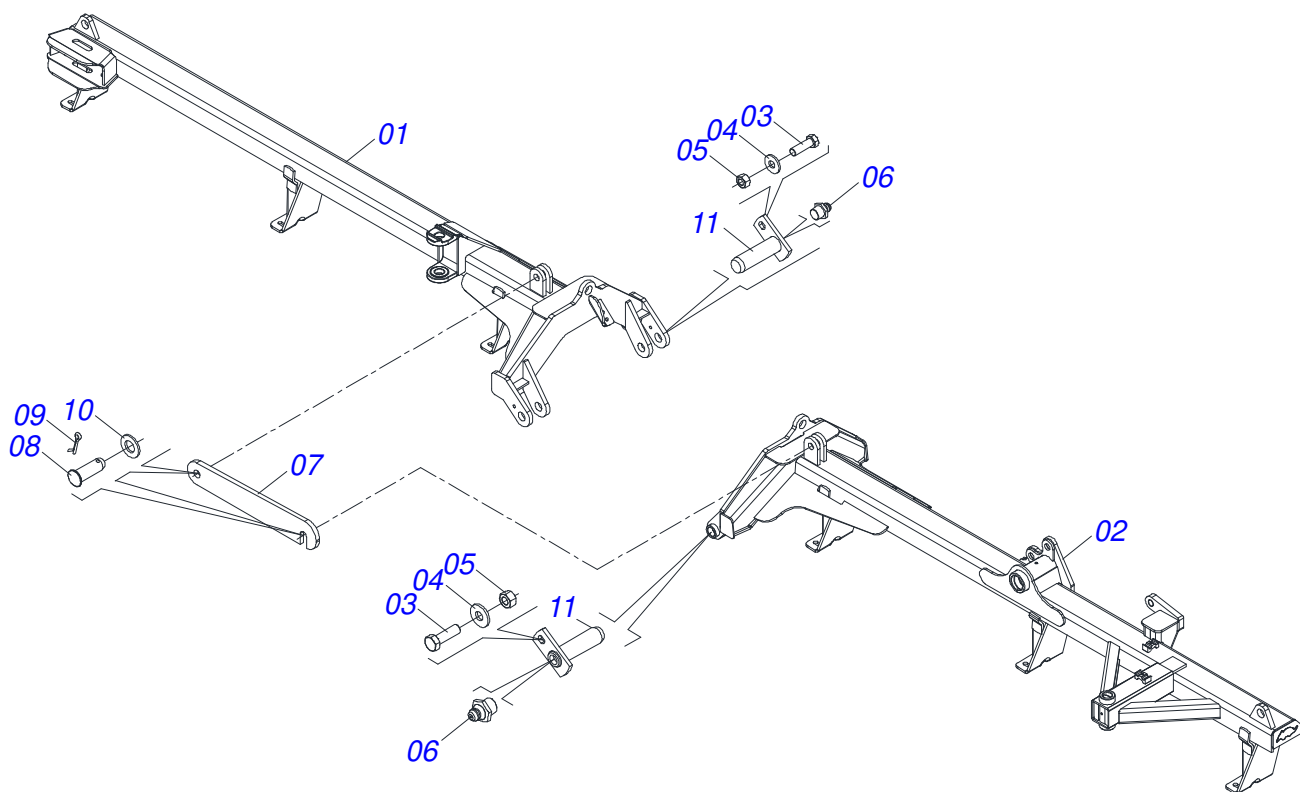
| Item | Code | Description | See page | QT |
|------|------------|-----------------------------|----------|----|
| 01 | 0531063344 | LEFT FRONT FRAME | | 01 |
| 02 | 0531063342 | RIGHT FRONT FRAME | | 01 |
| 03 | 0501018941 | TRANSPORT LOCK | | 01 |
| 04 | 0521010592 | 1.1" X 3.1" COUPLING SHAFT | | 02 |
| 05 | 0503010571 | 1/4" X 1.1/2 COTTERPIN | | 02 |
| 06 | 0511017480 | FLAT WASHER | | 02 |
| 07 | 0501063751 | 1.5" X 5.5" PIVOT SHAFT | | 02 |
| 08 | 0501010100 | SCREW 5/8 UNC X 2 CS G.5 ZN | | 02 |
| 09 | 0501012140 | FLAT WASHER | | 02 |
| 10 | 0503010013 | 5/8 NUT | | 02 |
| 11 | 0503010002 | 1800 GREASE FITTING | | 02 |



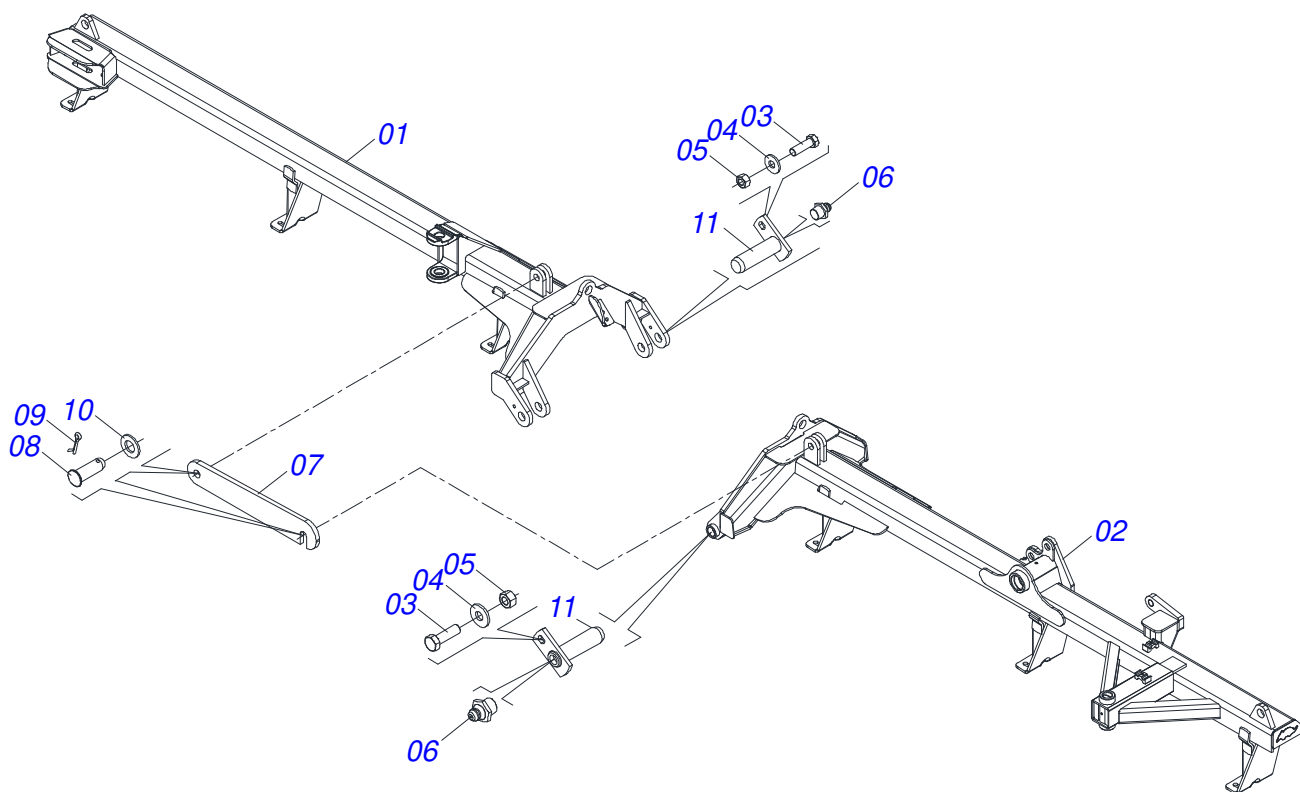
| Item | Code | Description | See page | QT |
|------|------------|-----------------------------|----------|----|
| 01 | 0531063336 | LEFT FRONT FRAME | | 01 |
| 02 | 0531063334 | RIGHT FRONT FRAME | | 01 |
| 03 | 0501018941 | TRANSPORT LOCK | | 01 |
| 04 | 0521010592 | 1.1" X 3.1" COUPLING SHAFT | | 02 |
| 05 | 0503010571 | 1/4" X 1.1/2 COTTERPIN | | 02 |
| 06 | 0511017480 | FLAT WASHER | | 02 |
| 07 | 0501063751 | 1.5" X 5.5" PIVOT SHAFT | | 02 |
| 08 | 0501010100 | SCREW 5/8 UNC X 2 CS G.5 ZN | | 02 |
| 09 | 0501012140 | FLAT WASHER | | 02 |
| 10 | 0503010013 | 5/8 NUT | | 02 |
| 11 | 0503010002 | 1800 GREASE FITTING | | 02 |



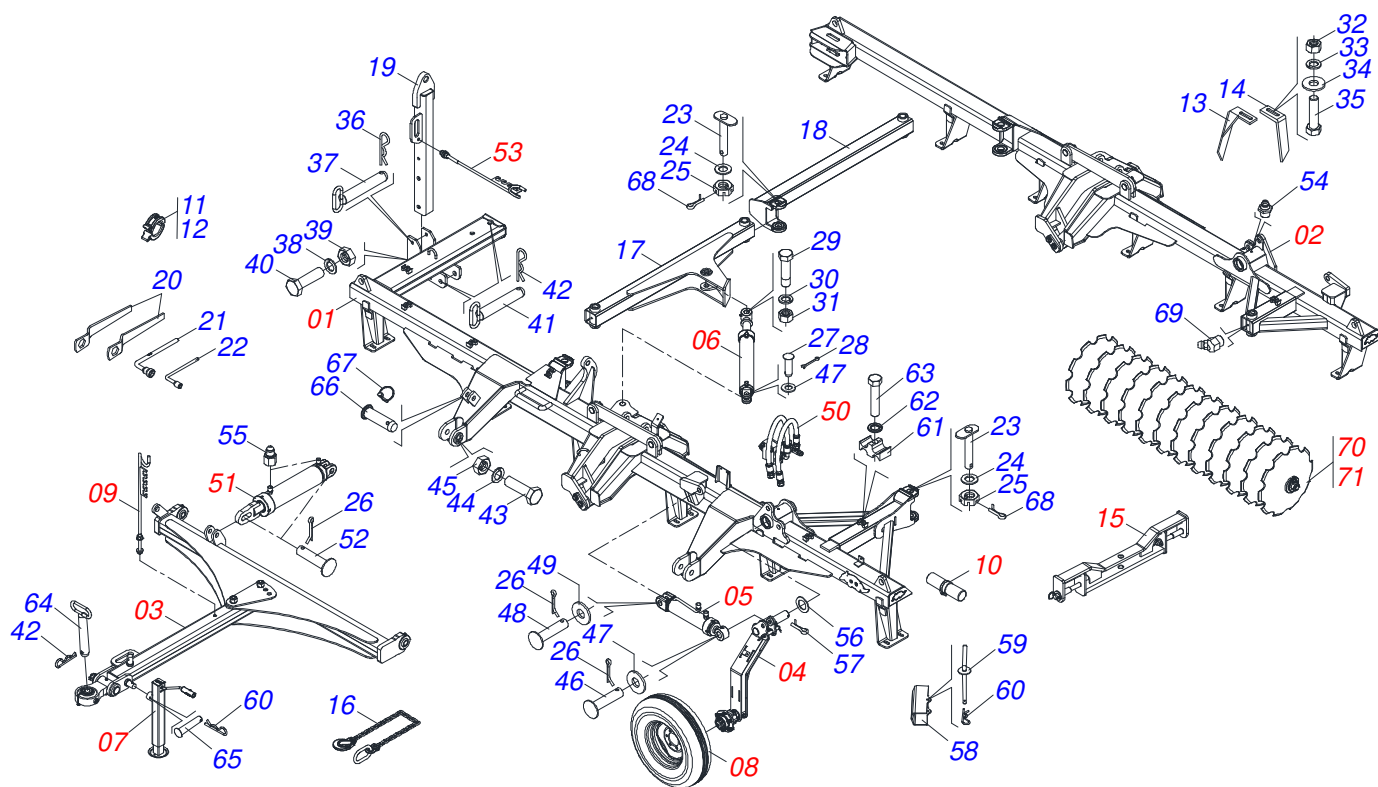
| Item | Code | Description | See page | QT |
|------|------------|-----------------------------|----------|----|
| 01 | 0531063354 | RIGHT REAR FRAME | | 01 |
| 02 | 0531063356 | LEFT REAR FRAME | | 01 |
| 03 | 0501010100 | SCREW 5/8 UNC X 2 CS G.5 ZN | | 02 |
| 04 | 0501012140 | FLAT WASHER | | 02 |
| 05 | 0503010013 | 5/8 NUT | | 02 |
| 06 | 0503010002 | 1800 GREASE FITTING | | 02 |
| 07 | 0501018941 | TRANSPORT LOCK | | 01 |
| 08 | 0521010592 | 1.1" X 3.1" COUPLING SHAFT | | 02 |
| 09 | 0503010571 | 1/4" X 1.1/2 COTTERPIN | | 02 |
| 10 | 0511017480 | FLAT WASHER | | 02 |
| 11 | 0501063751 | 1.5" X 5.5" PIVOT SHAFT | | 02 |



| Item | Code | Description | See page | QT |
|------|------------|-----------------------------|----------|----|
| 01 | 0531063348 | RIGHT REAR FRAME | | 01 |
| 02 | 0531063346 | LEFT REAR FRAME | | 01 |
| 03 | 0501010100 | SCREW 5/8 UNC X 2 CS G.5 ZN | | 02 |
| 04 | 0501012140 | FLAT WASHER | | 02 |
| 05 | 0503010013 | 5/8 NUT | | 02 |
| 06 | 0503010002 | 1800 GREASE FITTING | | 02 |
| 07 | 0501018941 | TRANSPORT LOCK | | 01 |
| 08 | 0521010592 | 1.1" X 3.1" COUPLING SHAFT | | 02 |
| 09 | 0503010571 | 1/4" X 1.1/2 COTTERPIN | | 02 |
| 10 | 0511017480 | FLAT WASHER | | 02 |
| 11 | 0501063751 | 1.5" X 5.5" PIVOT SHAFT | | 02 |



| Item | Code | Description | See page | QT |
|------|------------|-----------------------------|----------|----|
| 01 | 0531063338 | RIGHT REAR FRAME | | 01 |
| 02 | 0531063340 | LEFT REAR FRAME | | 01 |
| 03 | 0501010100 | SCREW 5/8 UNC X 2 CS G.5 ZN | | 02 |
| 04 | 0501012140 | FLAT WASHER | | 02 |
| 05 | 0503010013 | 5/8 NUT | | 02 |
| 06 | 0503010002 | 1800 GREASE FITTING | | 02 |
| 07 | 0501018941 | TRANSPORT LOCK | | 01 |
| 08 | 0521010592 | 1.1" X 3.1" COUPLING SHAFT | | 02 |
| 09 | 0503010571 | 1/4" X 1.1/2 COTTERPIN | | 02 |
| 10 | 0511017480 | FLAT WASHER | | 02 |
| 11 | 0501063751 | 1.5" X 5.5" PIVOT SHAFT | | 02 |



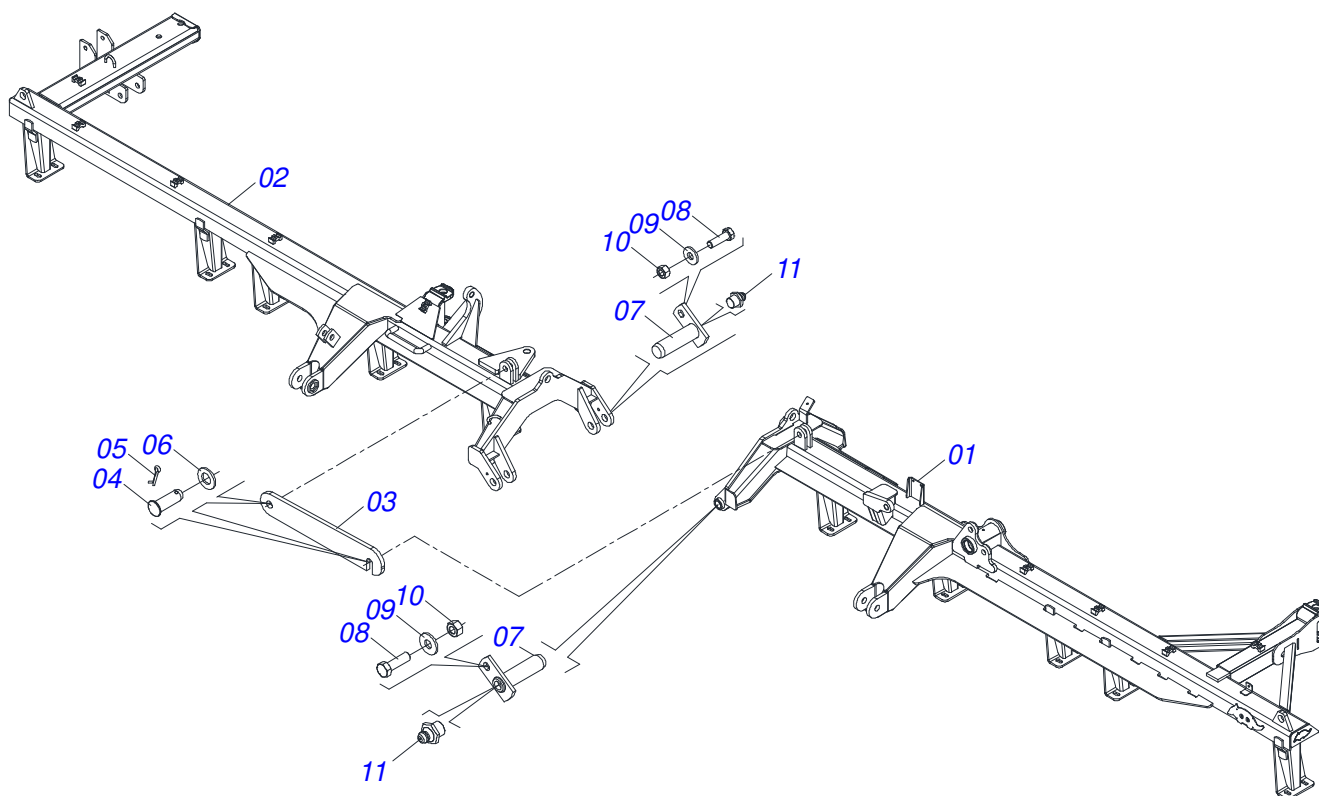
| Item | Code | Description | See page | 076 080 084 |
|------|------------|--|----------|-------------|
| 01 | 0531053713 | FRONT SEMI-ASSEMBLED FRAME - 76D | 19 | 001 000 000 |
| 01. | 0531053717 | FRONT SEMI-ASSEMBLED FRAME - 80D | 20 | 000 001 000 |
| 01.. | 0531053721 | FRONT SEMI-ASSEMBLED FRAME - 84D | 21 | 000 000 001 |
| 02 | 0531053715 | REAR SEMI-ASSEMBLED FRAME - 76D | 22 | 001 000 000 |
| 02. | 0531053719 | REAR SEMI-ASSEMBLED FRAME - 80D | 23 | 000 001 000 |
| 02.. | 0531053722 | REAR SEMI-ASSEMBLED FRAME - 84D | 24 | 000 000 001 |
| 03 | 0521044870 | DRAWBAR ASSY | 26 | 001 001 001 |
| 04 | 0521048125 | WHEELS ASSY | 31 | 002 002 002 |
| 05 | 0521056810 | HYDRAULIC CYLINDER 44,45X76,20X405X170 | 35 | 002 002 002 |
| 06 | 0511058461 | HYDRAULIC CYLINDER | 36 | 001 001 001 |
| 07 | 0503062157 | DRAWBAR JACK | 37 | 001 001 001 |
| 08 | 0503060181 | WHEEL AND TIRE | 34 | 002 002 002 |
| 09 | 0501040257 | ASSY 3/4 X 38 HOSE SUPPORT | 38 | 001 001 001 |
| 10 | 0531058158 | INSTRUCTION MANUAL CANISTER | 40 | 001 001 001 |
| 11 | 0501047895 | 25 ROD STOP | | 006 006 006 |
| 12 | 0501047885 | 30 ROD STOP | | 004 004 004 |
| 13 | 0501063963 | FRONT SCRAPER | | 027 029 030 |
| 14 | 0501063962 | REAR SCRAPER | | 027 029 030 |
| 15 | 0521058303 | CAT 2-3 TRANSPORT BAR ASSY | 39 | 001 001 001 |
| 16 | 0503013150 | 1300 X 3/8 CHAIN | | 001 001 001 |
| 17 | 0521069184 | FRONT STABILIZER BAR | | 001 001 001 |
| 18 | 0521069193 | REAR STABILIZER BAR | | 001 001 001 |
| 19 | 0521067573 | 1000 TRANSPORT BAR | | 001 001 001 |
| 20 | 0501011432 | 1-1/2" AND 1-5/8 GANG BOLT WRENCH | | 002 002 002 |
| 21 | 0501061617 | 1" GANG BOLT WRENCH | | 001 001 001 |
| 22 | 0501068273 | 5/8" WRENCH | | 001 001 001 |
| 23 | 0531019497 | 1.5" X 9.2" ARTICULATED AXIS | | 004 004 004 |
| 24 | 0531019540 | FLAT WASHER | | 004 004 004 |
| 25 | 0501011301 | 1.1/2 UNC 6FPP 2.5/16 NUT | | 006 006 006 |
| 26 | 0503010571 | 1/4" X 1.1/2 COTTERPIN | | 006 006 006 |
| 27 | 0521010779 | 31.75 X 95 COUPLING SHAFT | | 001 001 001 |



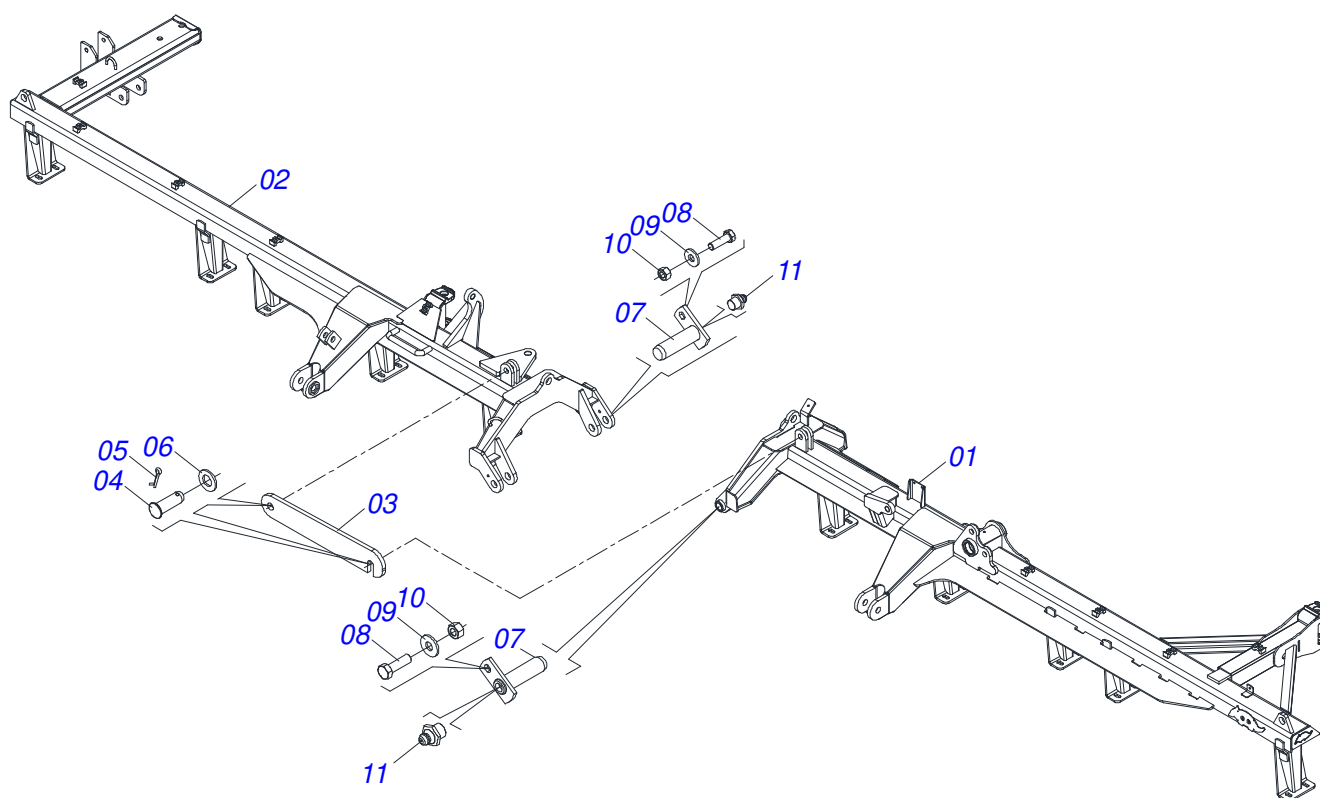
FRAME ASSY 76/80/84D

0909096552

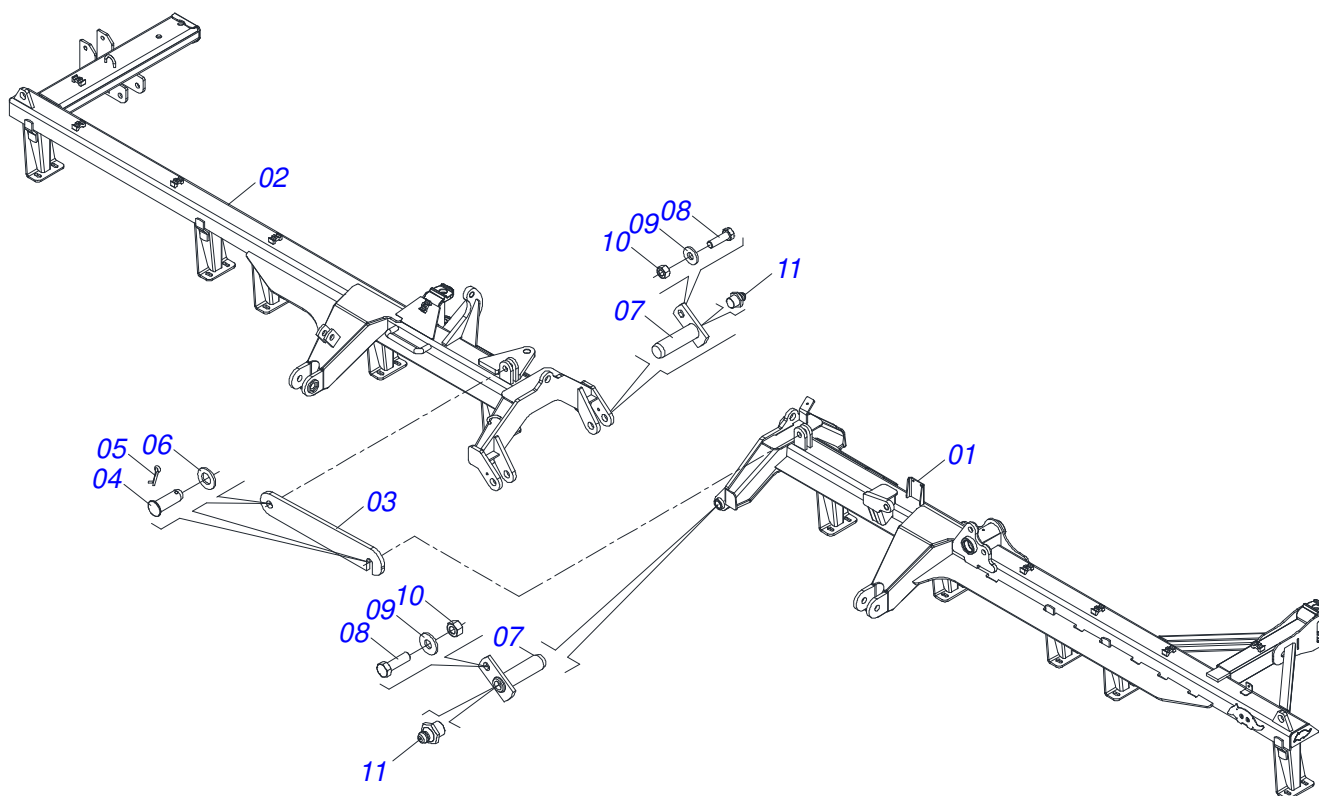
| Item | Code | Description | See page | 076 080 084 |
|------|------------|---------------------------------------|----------|-------------|
| 28 | 0503010523 | 1/4" X 2" SPLIT PIN | | 001 001 001 |
| 29 | 0501011106 | 1-1/4" X 7" SCREW | | 001 001 001 |
| 30 | 0503010070 | SPRING WASHER | | 001 001 001 |
| 31 | 0501010087 | 1.1/4" NUT | | 001 001 001 |
| 32 | 0503010060 | 1/2 UNC G.5 ZN HEX NUT | | 100 106 120 |
| 33 | 0503010019 | 1/2" SPRING WASHER | | 100 106 120 |
| 34 | 0511017302 | FLAT WASHER 13,50 X 32,50 X 3,0 ZN | | 108 114 128 |
| 35 | 0503011082 | C1/2" X 1.3/4" SCREW | | 108 114 128 |
| 36 | 0503030012 | HITCH PIN CLIP | | 001 001 001 |
| 37 | 0521064088 | LOCK AXLE | | 001 001 001 |
| 38 | 0503010012 | 1" SPRING WASHER | | 001 001 001 |
| 39 | 0503012182 | 1" NUT | | 001 001 001 |
| 40 | 0501010334 | 1" X 7" BOLT | | 001 001 001 |
| 41 | 0521067644 | JUNCTION SHAFT | | 002 002 002 |
| 42 | 0503031035 | HITCH PIN CLIP | | 003 003 003 |
| 43 | 0501010426 | 1-1/4" X 6" SCREW | | 002 002 002 |
| 44 | 0503010070 | SPRING WASHER | | 002 002 002 |
| 45 | 0501010087 | 1.1/4" NUT | | 002 002 002 |
| 46 | 0521010545 | 1.2" X 5.1" COUPLING SHAFT | | 002 002 002 |
| 47 | 0501017779 | 32 X 60 X 4.75 FLAT WASHER | | 003 003 003 |
| 48 | 0521010575 | C0.9" X 3.3" COUPLING SHAFT | | 002 002 002 |
| 49 | 0501011445 | FLAT WASHER | | 002 002 002 |
| 50 | 0909094922 | HYDRAULIC CIRCUIT - 68/72/76/80/84D | 49 | 001 001 001 |
| 51 | 0521058302 | HYDRAULIC CYLINDER 44,45X85,7X600X265 | 51 | 001 001 001 |
| 52 | 0521010575 | C0.9" X 3.3" COUPLING SHAFT | | 002 002 002 |
| 53 | 0521052223 | 3/4 X 700 HOSE SUPPORT | 52 | 001 001 001 |
| 54 | 0503010002 | 1800 GREASE FITTING | | 005 005 005 |
| 55 | 0511018012 | HIDRAULIC ADAPTER | | 002 002 002 |
| 56 | 0501017579 | FLAT WASHER | | 002 002 002 |
| 57 | 0503010073 | 3/8 X 3-1/2 COTTERPIN | | 002 002 002 |
| 58 | 0591011560 | TRANSPORT LOCK 47.50 X 171 | | 002 002 002 |
| 59 | 0501068994 | 8,30 X 78 LOCK PIN | | 002 002 002 |
| 60 | 0503030168 | HITCH PIN CLIP | | 003 003 003 |
| 61 | 0502012702 | BODY SUPPORT CLAMP | | 014 014 014 |
| 62 | 0503010180 | 7/16" SPRING WASHER | | 014 014 014 |
| 63 | 0503012555 | SCREW 7/16 UNC X 2 CS RT G.7 ZN | | 014 014 014 |
| 64 | 0501069080 | COUPLING SHAFT | | 001 001 001 |
| 65 | 0521010549 | COUPLING SHAFT | | 001 001 001 |
| 66 | 0501019002 | JUNCTION SHAFT | | 001 001 001 |
| 67 | 0503030085 | LOCK PIN | | 001 001 001 |
| 68 | 0503010010 | 1/4" X 2.1/2" COTTERPIN | | 004 004 004 |
| 69 | 0503010003 | 1845 GREASE FITTING | | 002 002 002 |
| 70 | 0909096554 | FRONT GANG DISC - 68/72/76/80/84D | 54 | 001 001 001 |
| 71 | 0909096556 | REAR GANG DISC - 68/72/76/80/84D | 56 | 001 001 001 |



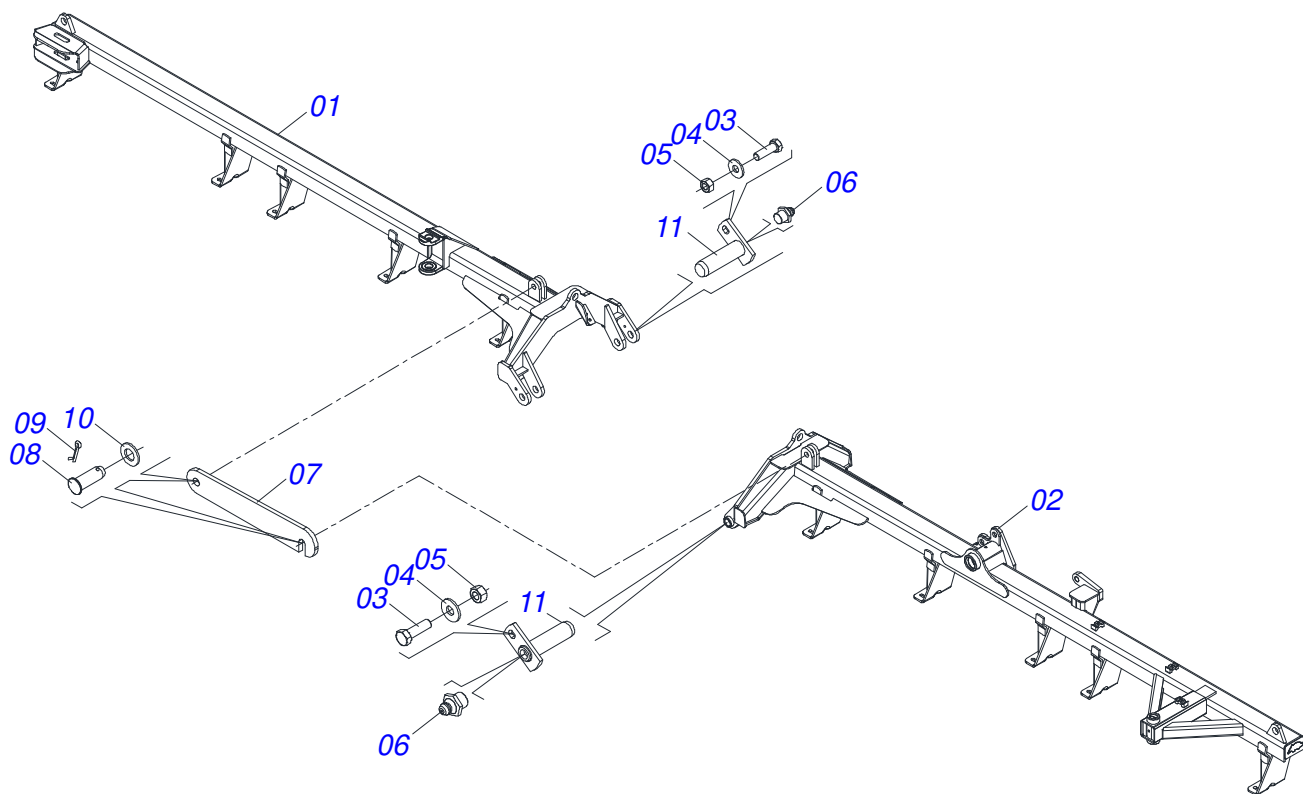
| Item | Code | Description | See page | QT |
|------|------------|-----------------------------|----------|----|
| 01 | 0531063310 | LEFT FRONT FRAME | | 01 |
| 02 | 0531063308 | RIGHT FRONT FRAME | | 01 |
| 03 | 0501018941 | TRANSPORT LOCK | | 01 |
| 04 | 0521010592 | 1.1" X 3.1" COUPLING SHAFT | | 02 |
| 05 | 0503010571 | 1/4" X 1.1/2 COTTERPIN | | 02 |
| 06 | 0511017480 | FLAT WASHER | | 02 |
| 07 | 0501063751 | 1.5" X 5.5" PIVOT SHAFT | | 02 |
| 08 | 0501010100 | SCREW 5/8 UNC X 2 CS G.5 ZN | | 02 |
| 09 | 0501012140 | FLAT WASHER | | 02 |
| 10 | 0503010013 | 5/8 NUT | | 02 |
| 11 | 0503010002 | 1800 GREASE FITTING | | 02 |



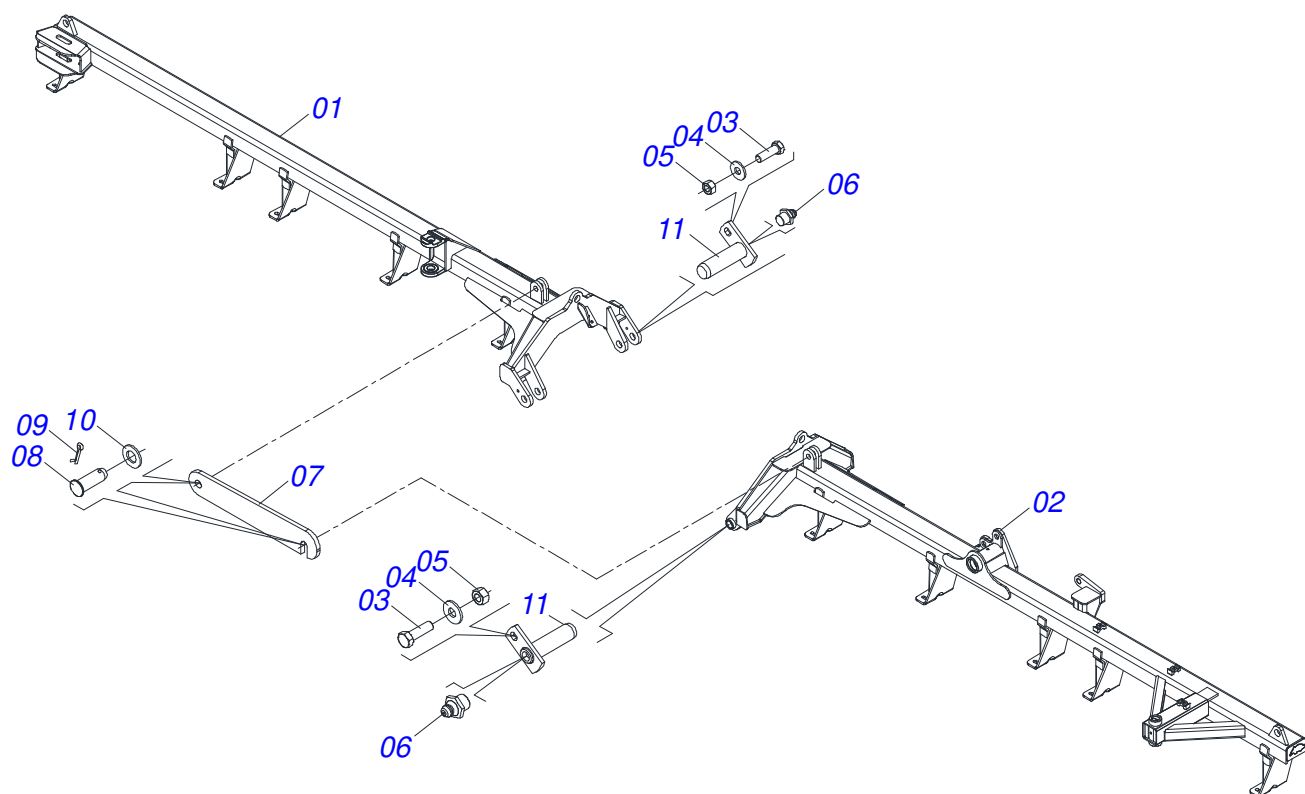
| Item | Code | Description | See page | QT |
|------|------------|-----------------------------|----------|----|
| 01 | 0531063318 | LEFT FRONT FRAME | | 01 |
| 02 | 0531063316 | RIGHT FRONT FRAME | | 01 |
| 03 | 0501018941 | TRANSPORT LOCK | | 01 |
| 04 | 0521010592 | 1.1" X 3.1" COUPLING SHAFT | | 02 |
| 05 | 0503010571 | 1/4" X 1.1/2 COTTERPIN | | 02 |
| 06 | 0511017480 | FLAT WASHER | | 02 |
| 07 | 0501063751 | 1.5" X 5.5" PIVOT SHAFT | | 02 |
| 08 | 0501010100 | SCREW 5/8 UNC X 2 CS G.5 ZN | | 02 |
| 09 | 0501012140 | FLAT WASHER | | 02 |
| 10 | 0503010013 | 5/8 NUT | | 02 |
| 11 | 0503010002 | 1800 GREASE FITTING | | 02 |



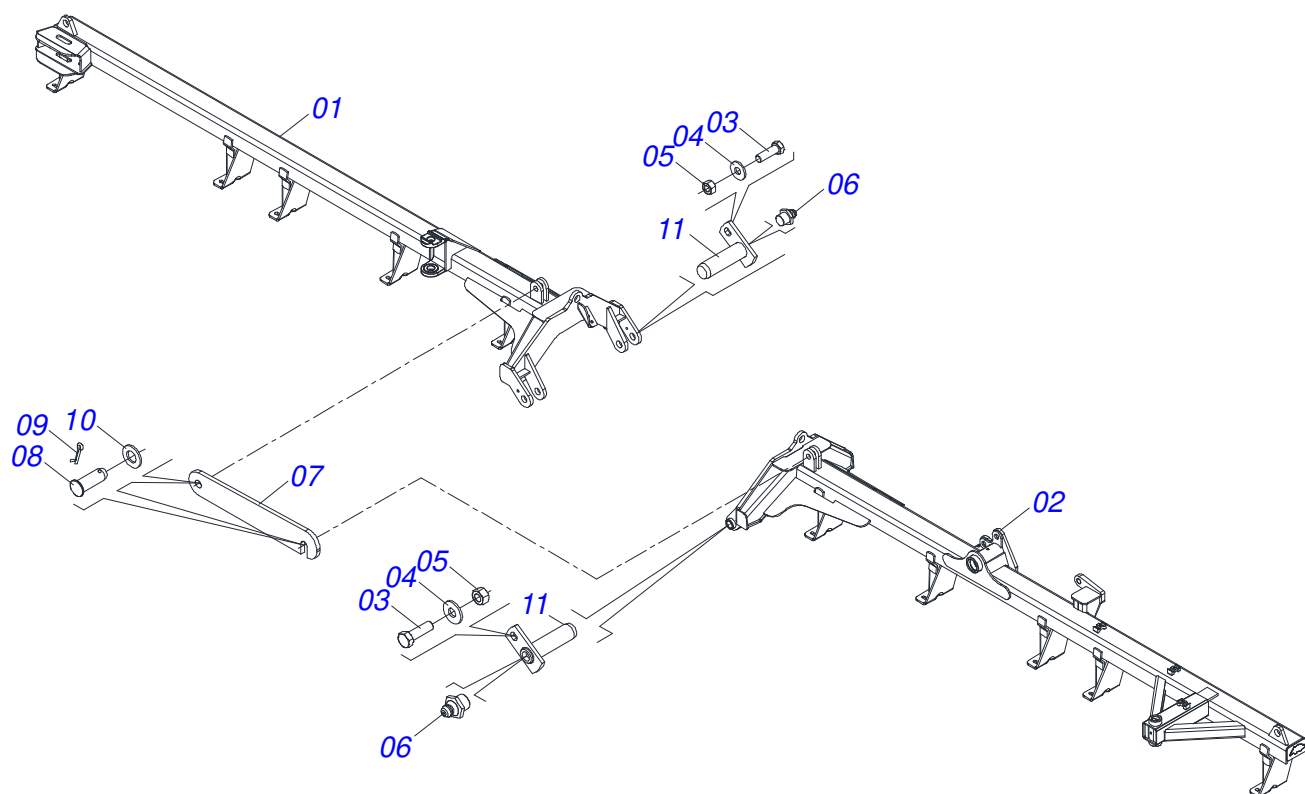
| Item | Code | Description | See page | QT |
|------|------------|-----------------------------|----------|----|
| 01 | 0531063328 | LEFT FRONT FRAME | | 01 |
| 02 | 0531063326 | RIGHT FRONT FRAME | | 01 |
| 03 | 0501018941 | TRANSPORT LOCK | | 01 |
| 04 | 0521010592 | 1.1" X 3.1" COUPLING SHAFT | | 02 |
| 05 | 0503010571 | 1/4" X 1.1/2 COTTERPIN | | 02 |
| 06 | 0511017480 | FLAT WASHER | | 02 |
| 07 | 0501063751 | 1.5" X 5.5" PIVOT SHAFT | | 02 |
| 08 | 0501010100 | SCREW 5/8 UNC X 2 CS G.5 ZN | | 02 |
| 09 | 0501012140 | FLAT WASHER | | 02 |
| 10 | 0503010013 | 5/8 NUT | | 02 |
| 11 | 0503010002 | 1800 GREASE FITTING | | 02 |



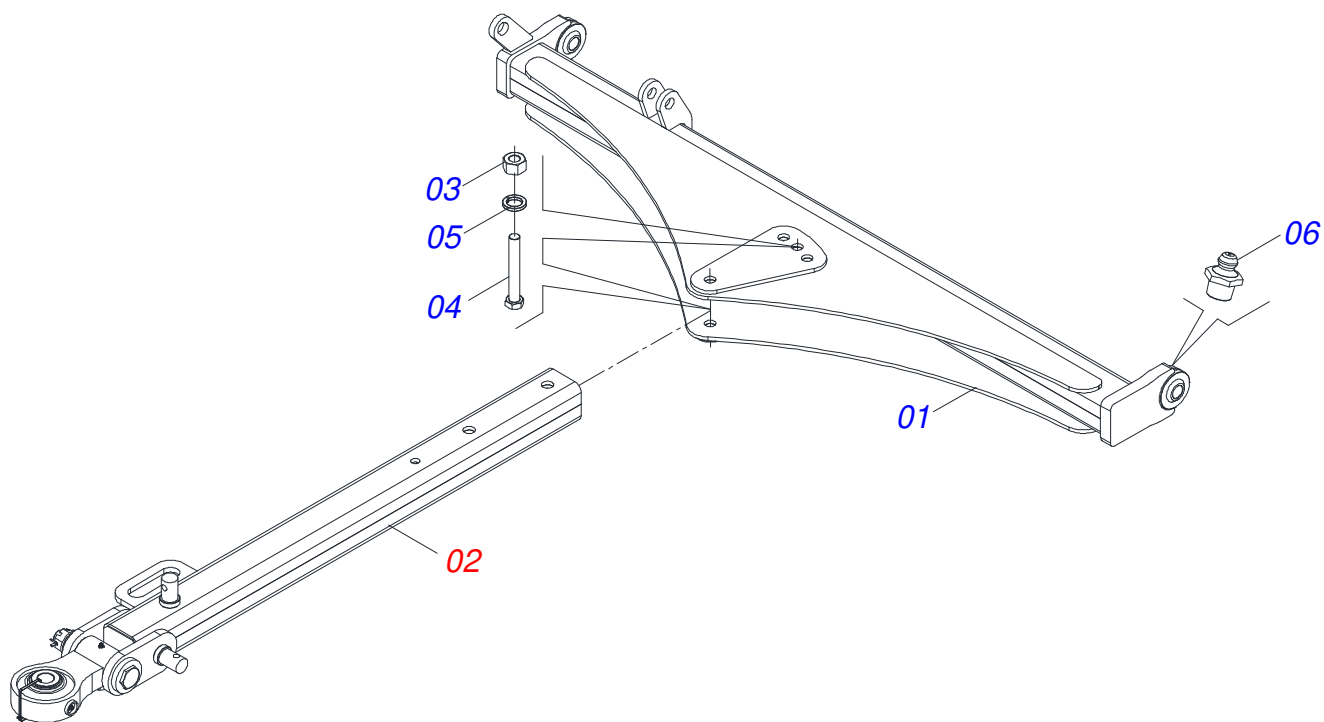
| Item | Code | Description | See page | QT |
|------|------------|-----------------------------|----------|----|
| 01 | 0531063312 | RIGHT REAR FRAME | | 01 |
| 02 | 0531063314 | LEFT REAR FRAME | | 01 |
| 03 | 0501010100 | SCREW 5/8 UNC X 2 CS G.5 ZN | | 02 |
| 04 | 0501012140 | FLAT WASHER | | 02 |
| 05 | 0503010013 | 5/8 NUT | | 02 |
| 06 | 0503010002 | 1800 GREASE FITTING | | 02 |
| 07 | 0501018941 | TRANSPORT LOCK | | 01 |
| 08 | 0521010592 | 1.1" X 3.1" COUPLING SHAFT | | 02 |
| 09 | 0503010571 | 1/4" X 1.1/2 COTTERPIN | | 02 |
| 10 | 0511017480 | FLAT WASHER | | 02 |
| 11 | 0501063751 | 1.5" X 5.5" PIVOT SHAFT | | 02 |



| Item | Code | Description | See page | QT |
|------|------------|-----------------------------|----------|----|
| 01 | 0531063320 | RIGHT REAR FRAME | | 01 |
| 02 | 0531063322 | LEFT REAR FRAME | | 01 |
| 03 | 0501010100 | SCREW 5/8 UNC X 2 CS G.5 ZN | | 02 |
| 04 | 0501012140 | FLAT WASHER | | 02 |
| 05 | 0503010013 | 5/8 NUT | | 02 |
| 06 | 0503010002 | 1800 GREASE FITTING | | 02 |
| 07 | 0501018941 | TRANSPORT LOCK | | 01 |
| 08 | 0521010592 | 1.1" X 3.1" COUPLING SHAFT | | 02 |
| 09 | 0503010571 | 1/4" X 1.1/2 COTTERPIN | | 02 |
| 10 | 0511017480 | FLAT WASHER | | 02 |
| 11 | 0501063751 | 1.5" X 5.5" PIVOT SHAFT | | 02 |

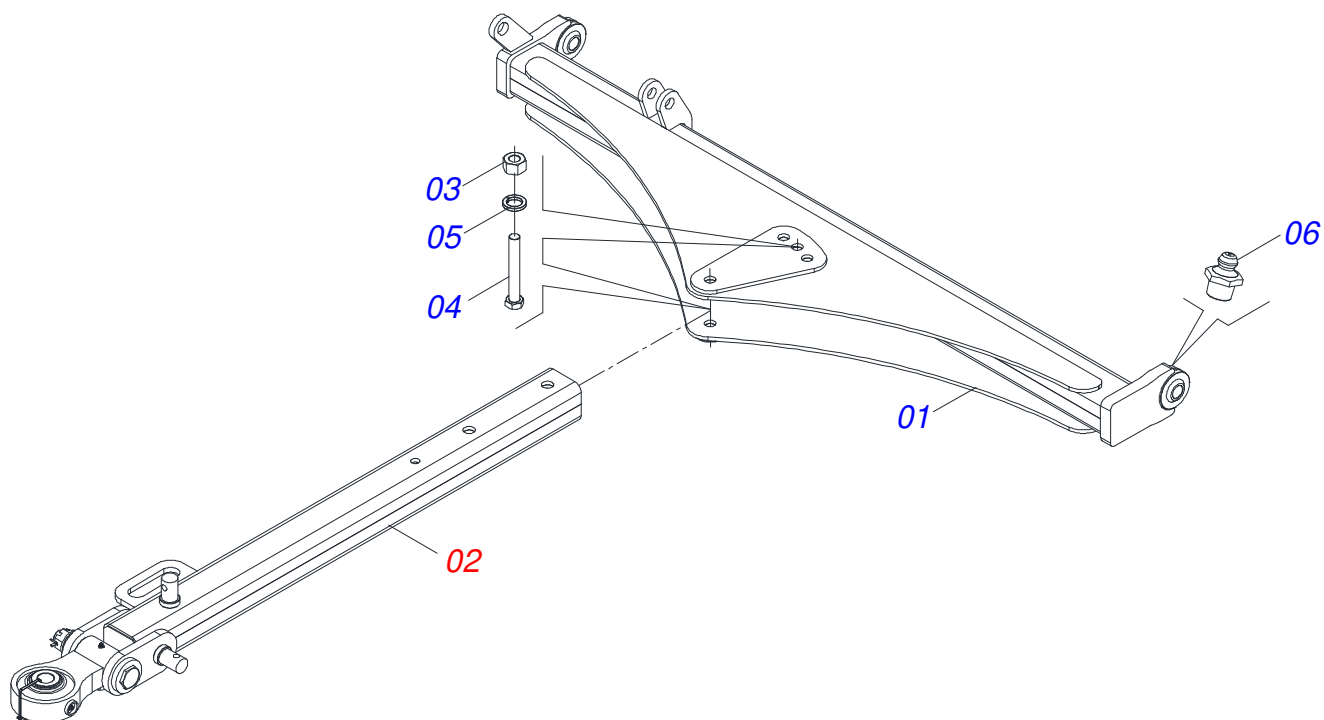


| Item | Code | Description | See page | QT |
|------|------------|-----------------------------|----------|----|
| 01 | 0531063330 | RIGHT REAR FRAME | | 01 |
| 02 | 0531063332 | LEFT REAR FRAME | | 01 |
| 03 | 0501010100 | SCREW 5/8 UNC X 2 CS G.5 ZN | | 02 |
| 04 | 0501012140 | FLAT WASHER | | 02 |
| 05 | 0503010013 | 5/8 NUT | | 02 |
| 06 | 0503010002 | 1800 GREASE FITTING | | 02 |
| 07 | 0501018941 | TRANSPORT LOCK | | 01 |
| 08 | 0521010592 | 1.1" X 3.1" COUPLING SHAFT | | 02 |
| 09 | 0503010571 | 1/4" X 1.1/2 COTTERPIN | | 02 |
| 10 | 0511017480 | FLAT WASHER | | 02 |
| 11 | 0501063751 | 1.5" X 5.5" PIVOT SHAFT | | 02 |



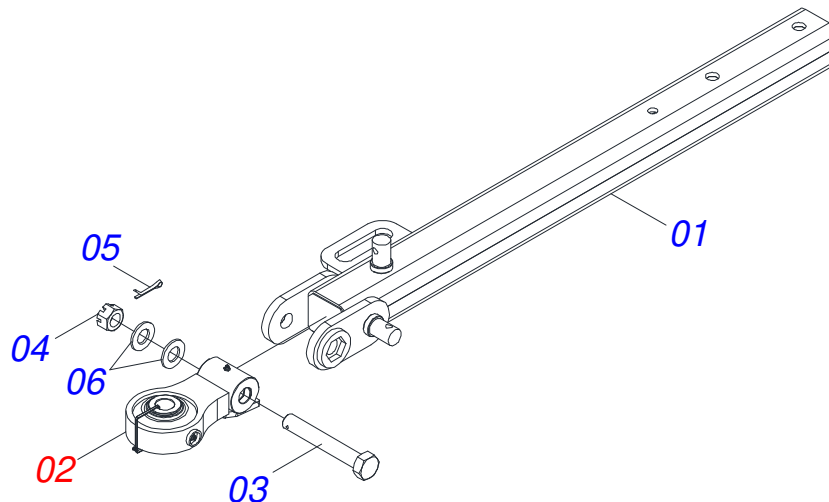
| Item | Code | Description | See page | QT |
|------|------------|---------------------|----------|----|
| 01 | 0521068827 | OFFSET BAR | | 01 |
| 02 | 0501044359 | ASSY TRACTION BAR | 27 | 01 |
| 03 | 0501010059 | 1.5/8 NUT | | 02 |
| 04 | 0501010334 | 1" X 7" BOLT | | 02 |
| 05 | 0503011438 | SPRING WASHER | | 02 |
| 06 | 0503010002 | 1800 GREASE FITTING | | 02 |

DRAWBAR ASSY

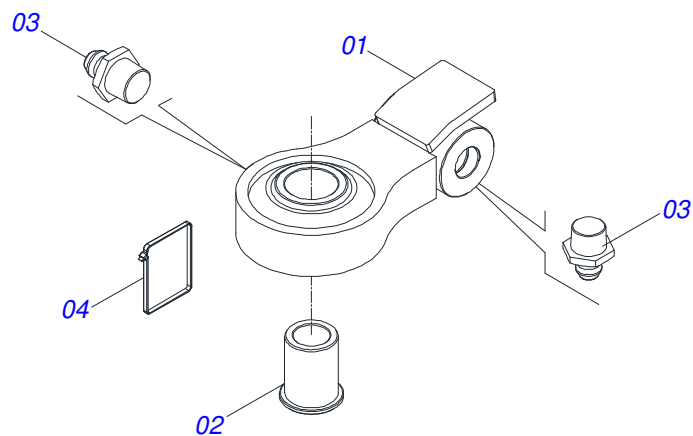


| Item | Code | Description | See page | QT |
|------|------------|---------------------|----------|----|
| 01 | 0521065405 | OFFSET BAR | | 01 |
| 02 | 0521048502 | ASSY TRACTION BAR | 29 | 01 |
| 03 | 0501010059 | 1.5/8 NUT | | 02 |
| 04 | 0501010334 | 1" X 7" BOLT | | 02 |
| 05 | 0503010012 | 1" SPRING WASHER | | 02 |
| 06 | 0503010002 | 1800 GREASE FITTING | | 02 |

ASSY TRACTION BAR

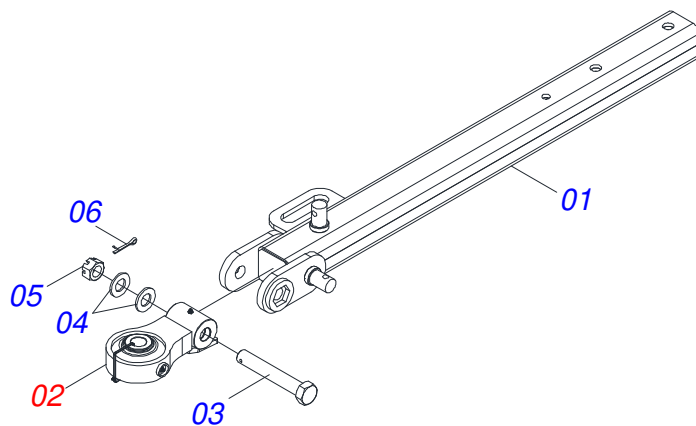


| Item | Code | Description | See page | QT |
|------|------------|--------------------------------|----------|----|
| 01 | 0501066715 | DRAW BAR | | 01 |
| 02 | 0521053943 | HITCH WITH ASSY ROTULA SUPPORT | 28 | 01 |
| 03 | 0501017291 | 1-1/2" X 8.1" BOLT | | 01 |
| 04 | 0501011301 | 1.1/2 UNC 6FPP 2.5/16 NUT | | 01 |
| 05 | 0503010010 | 1/4" X 2.1/2" COTTERPIN | | 01 |
| 06 | 0501017779 | 32 X 60 X 4.75 FLAT WASHER | | 02 |



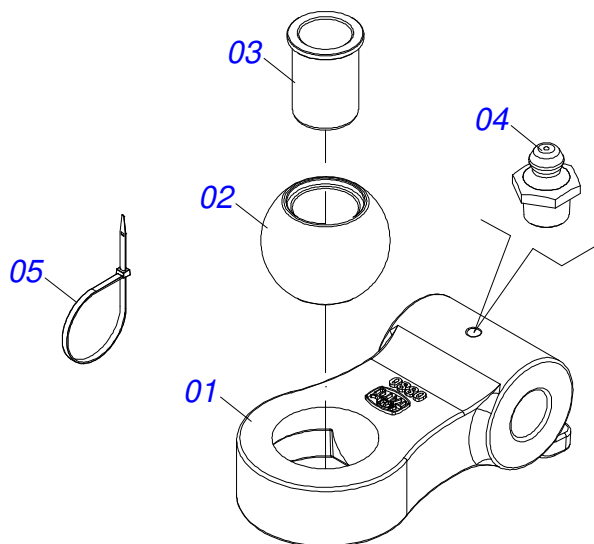
| Item | Code | Description | See page | QT |
|------|------------|--------------------------------|----------|----|
| 01 | 0521069166 | HITCH | | 01 |
| 02 | 0581018413 | SLEEVE | | 01 |
| 03 | 0503010002 | 1800 GREASE FITTING | | 02 |
| 04 | 0503016033 | 4.8 X 1.3 X 300 MM NYLON CLAMP | | 01 |

ASSY TRACTION BAR



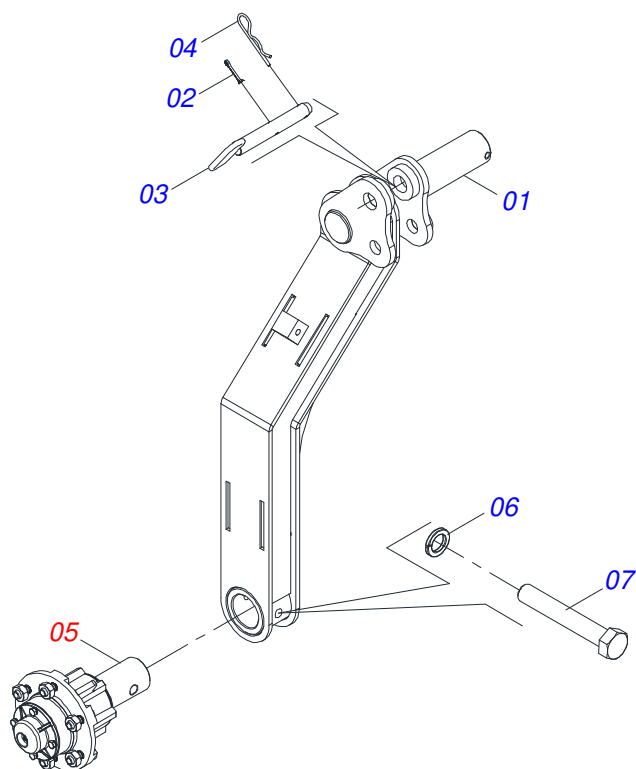
| Item | Code | Description | See page | QT |
|------|------------|----------------------------|----------|----|
| 01 | 0521069165 | DRAW BAR | | 01 |
| 02 | 0521057520 | HITCH ASSY | 30 | 01 |
| 03 | 0581015973 | 1.1/4 UNC X 8 C S G5 SCREW | | 01 |
| 04 | 0501017779 | 32 X 60 X 4.75 FLAT WASHER | | 02 |
| 05 | 0503013026 | 1.1/4" CASTLE NUT | | 01 |
| 06 | 0503010010 | 1/4" X 2.1/2" COTTERPIN | | 01 |

HITCH ASSY

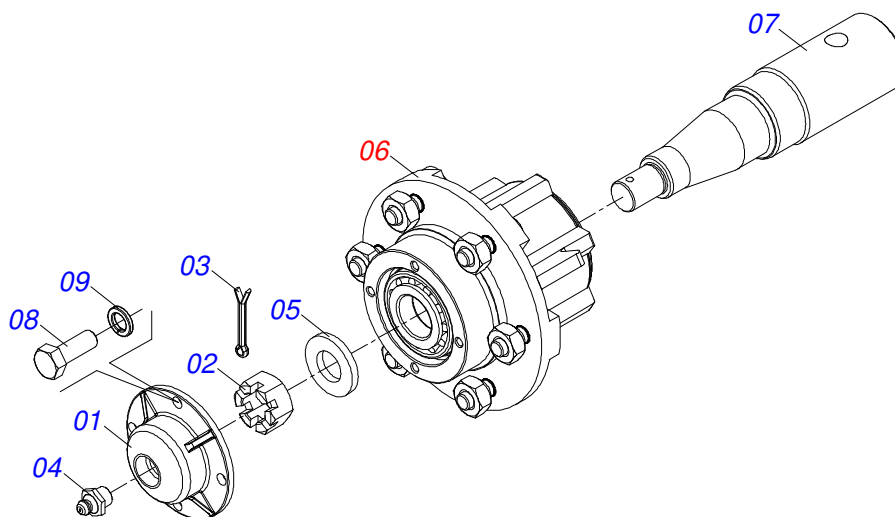


| Item | Code | Description | See page | QT |
|------|------------|---------------------|----------|----|
| 01 | 0502040880 | HITCH BODY | | 01 |
| 02 | 0502040885 | BODY ATTACHMENT | | 01 |
| 03 | 0591012511 | SLEEVE | | 01 |
| 04 | 0503010002 | 1800 GREASE FITTING | | 01 |
| 05 | 0503018829 | NYLON CLAMP | | 01 |

WHEELS ASSY

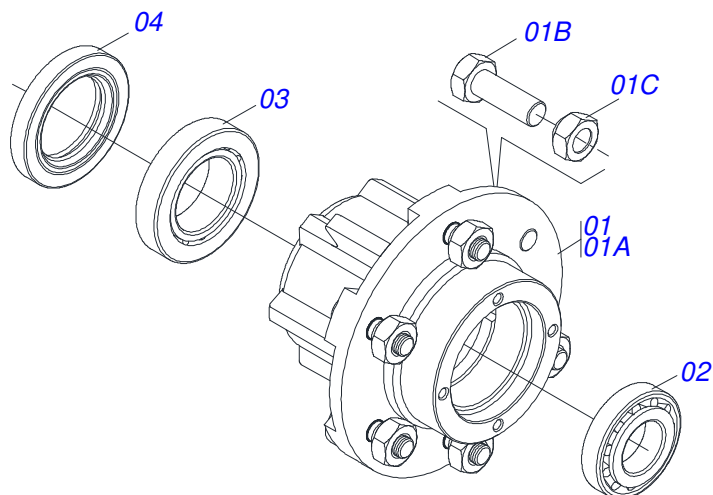


| Item | Code | Description | See page | QT |
|------|------------|--------------------------|----------|----|
| 01 | 0521068372 | WHEELED ARM | | 01 |
| 02 | 0503010131 | 3/16" X 1-1/2" COTTERPIN | | 01 |
| 03 | 0521068769 | COUPLING SHAFT | | 01 |
| 04 | 0503030012 | HITCH PIN CLIP | | 01 |
| 05 | 0521052217 | ASSY WHEEL CUBE | 32 | 01 |
| 06 | 0503010027 | 5/8 SPRING WASHER | | 01 |
| 07 | 0503017857 | BOLT 5/8 UNF 4 | | 01 |

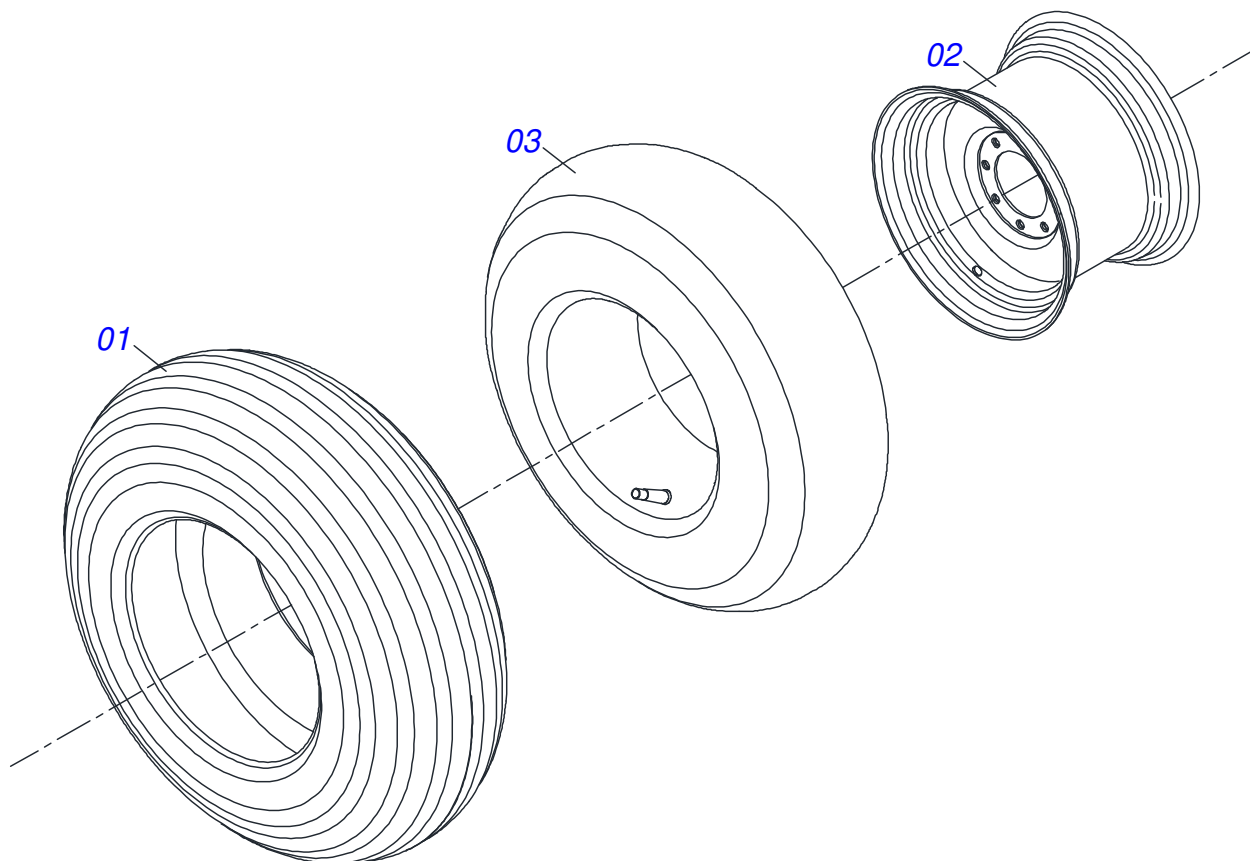


| Item | Code | Description | See page | QT |
|------|------------|-----------------------------|----------|----|
| 01 | 0502020591 | PROTECCION COVER | | 01 |
| 02 | 0503030009 | 1" CASTLE NUT | | 01 |
| 03 | 0503010018 | 5/32 X 1-1/2 COTTERPIN | | 01 |
| 04 | 0503010002 | 1800 GREASE FITTING | | 01 |
| 05 | 0501016545 | FLAT WASHER | | 01 |
| 06 | 0501051142 | CARRYING WHEEL HUB | 33 | 01 |
| 07 | 0581016297 | 63,50 X 270 AXIS | | 01 |
| 08 | 0503010178 | 5/16" X 7/8" BOLT | | 04 |
| 09 | 0503010179 | LOCK WASHER 5/16 ZN 1K01528 | | 04 |

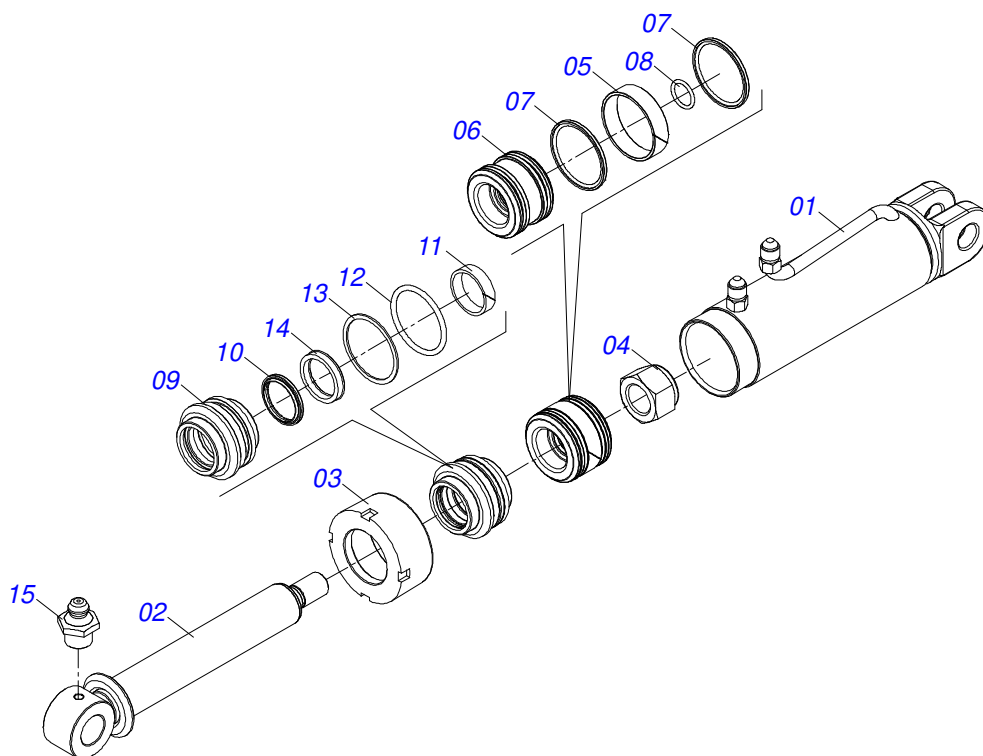
CARRYING WHEEL HUB



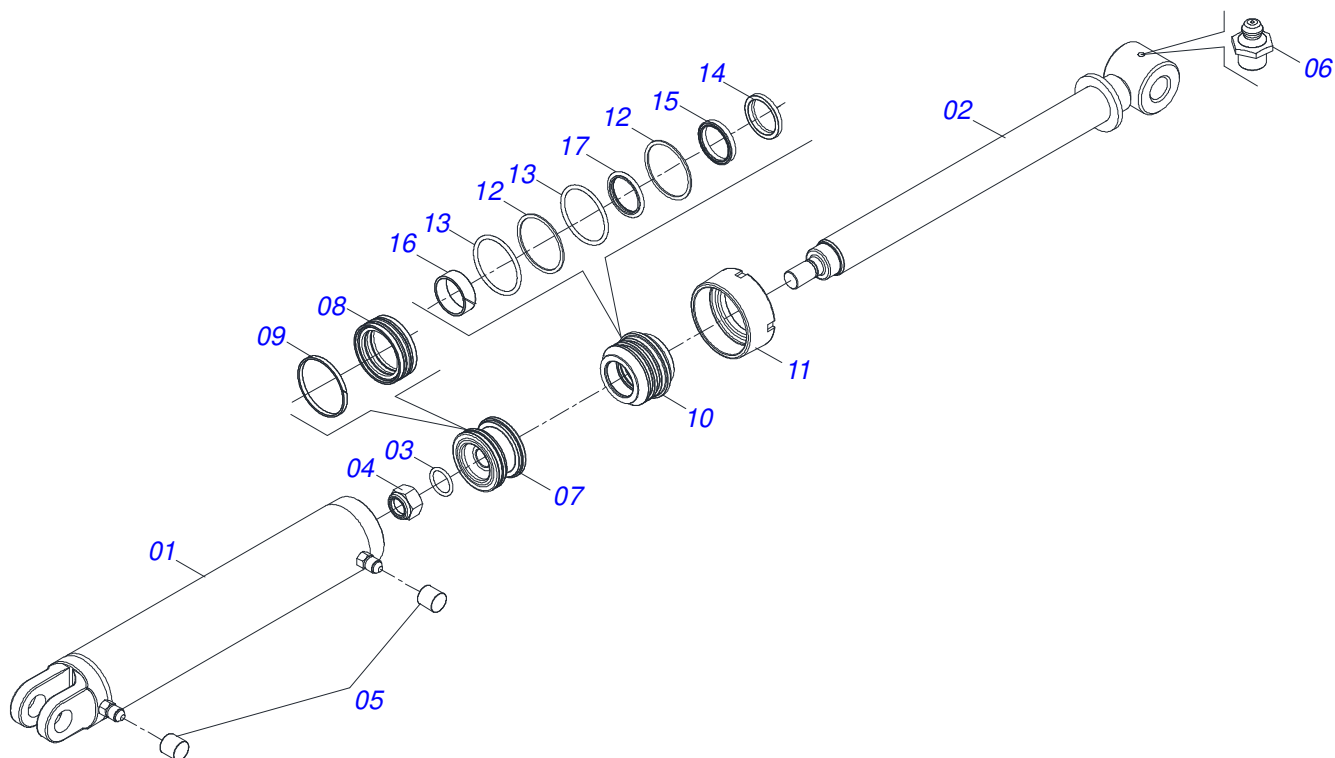
| Item | Code | Description | See page | QT |
|------|------------|-------------------------|----------|----|
| 01 | 0501110728 | WHEEL HUB | | 01 |
| 01A | 0502011121 | CARRYING WHEEL HUB | | 01 |
| 01B | 0501010127 | 9/16" X 1-7/8" LUG BOLT | | 06 |
| 01C | 0503010035 | 9/16" CONIC NUT | | 06 |
| 02 | 0503010037 | 30207 ROLLER BEARING | | 01 |
| 03 | 0503010006 | 32210 ROLLER BEARING | | 01 |
| 04 | 0503012928 | SEAL | | 01 |



| Item | Code | Description | See page | QT |
|------|------------|--------------------|----------|----|
| 01 | 0503010858 | CANVAS TIRE | | 01 |
| 02 | 0503011468 | WEEL | | 01 |
| 03 | 0503010860 | AIR CHAMBER 11L 15 | | 01 |



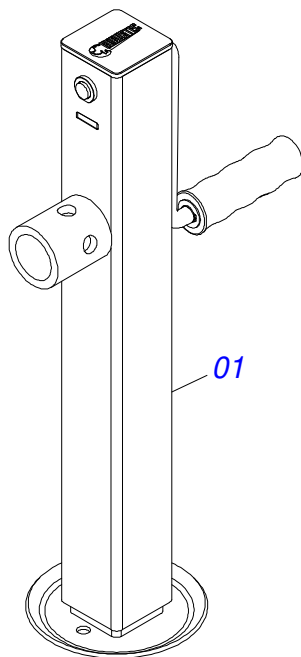
| Item | Code | Description | See page | QT |
|------|------------|-------------------------------|----------|----|
| 01 | 0531060320 | CASE 76,20 X 277 X 335 | | 01 |
| 02 | 0531060321 | EXTENSOR 44,45 X 311 X 296 | | 01 |
| 03 | 0502011899 | MOBILE LID | | 01 |
| 04 | 0503010063 | 1" SELF-ALIGNING NUT | | 01 |
| 05 | 0503018140 | RING GUIDE | | 01 |
| 06 | 0581010304 | PISTON | | 01 |
| 07 | 0503018138 | RING BS | | 02 |
| 08 | 0503010042 | 2-214 N 3006-9B O'RING | | 01 |
| 09 | 0502012264 | RING SUPPORT 1.75" X 3" | | 01 |
| 10 | 0503010761 | D-1750 SCRAPER RING | | 01 |
| 11 | 0503010949 | W2-2000-500 PK RING G.E | | 01 |
| 12 | 0503010343 | 2-334 N 3006-9B O'RING | | 01 |
| 13 | 0503011059 | 8-334 BACK-UP RING | | 01 |
| 14 | 0503017937 | GASKET | | 01 |
| 15 | 0503010002 | 1800 GREASE FITTING | | 01 |
| 16 | 0511032725 | HYDRAULIC CYLINDER REPAIR KIT | | 01 |



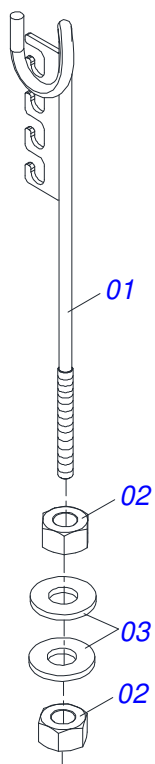
| Item | Code | Description | See page | QT |
|------|------------|-----------------------------|----------|----|
| 01 | 0521063982 | CYLINDER CASE | | 01 |
| 02 | 0521067533 | 50,80 X 697 EXTENSOR | | 01 |
| 03 | 0503010042 | 2-214 N 3006-9B O'RING | | 01 |
| 04 | 0503010063 | 1" SELF-ALIGNING NUT | | 01 |
| 05 | 0503030385 | CYLINDER PLUG N-002 | | 02 |
| 06 | 0503010002 | 1800 GREASE FITTING | | 01 |
| 07 | 0571019710 | 1.7" X 3.4" PISTON | | 01 |
| 08 | 0503017935 | RING | | 01 |
| 09 | 0503018144 | RING | | 01 |
| 10 | 0581013228 | 50,80 X 85,72 SUPPORT RINGS | | 01 |
| 11 | 0581013227 | 85,72 MOVE COVER | | 01 |
| 12 | 0503017940 | 8-337 BACK-UP RING | | 02 |
| 13 | 0503017939 | 2-337 N 3006-9B O' RING | | 02 |
| 14 | 0503010039 | D-2000 SCRAPER RING | | 01 |
| 15 | 0503018026 | 1870-2000-375 B GASKET | | 01 |
| 16 | 0503018025 | RING GUIDE | | 01 |
| 17 | 0503018024 | RING BS | | 01 |

DRAWBAR JACK

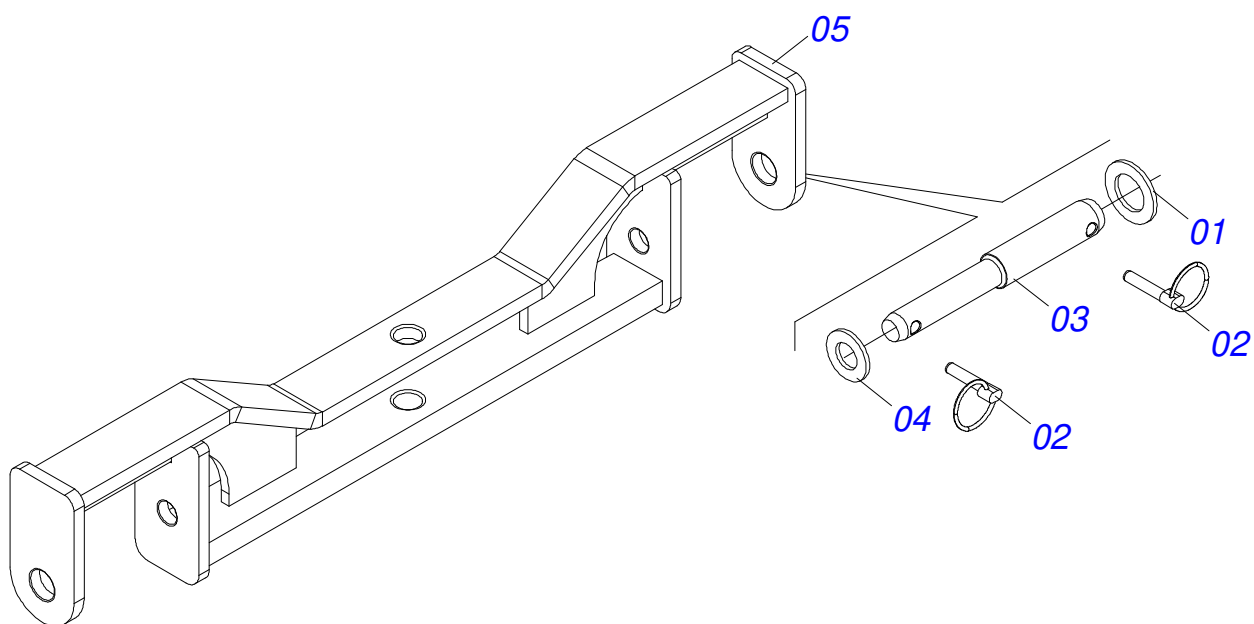
0503062157



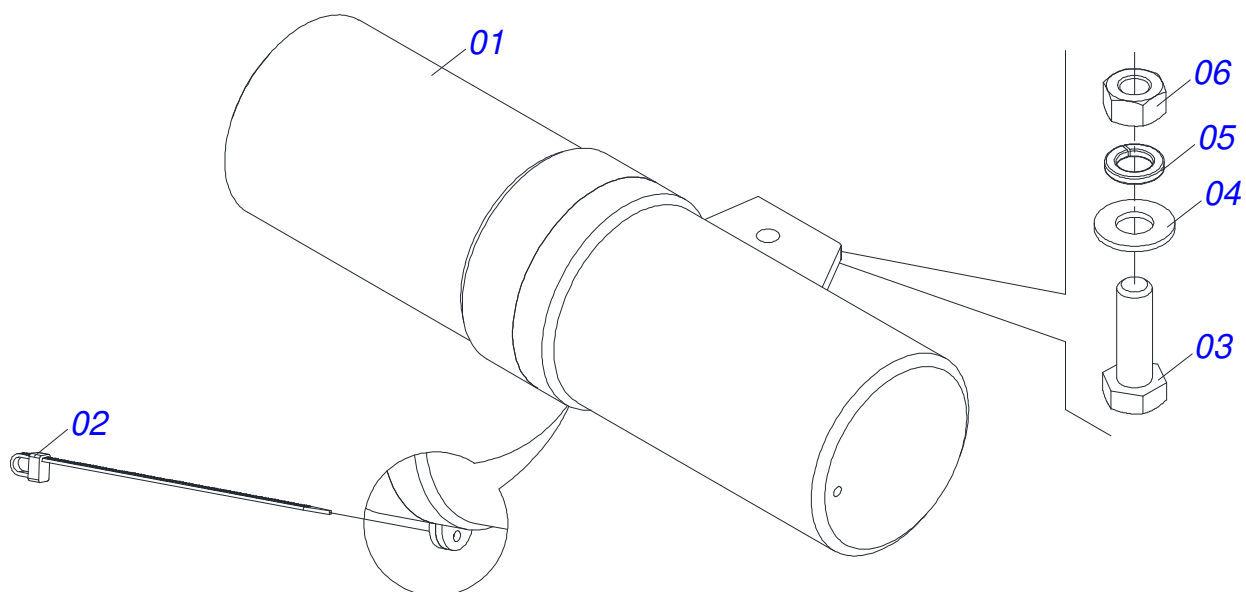
| Item | Code | Description | See page | QT |
|------|------------|--------------|----------|----|
| 01 | 0503062157 | DRAWBAR JACK | 37 | 01 |



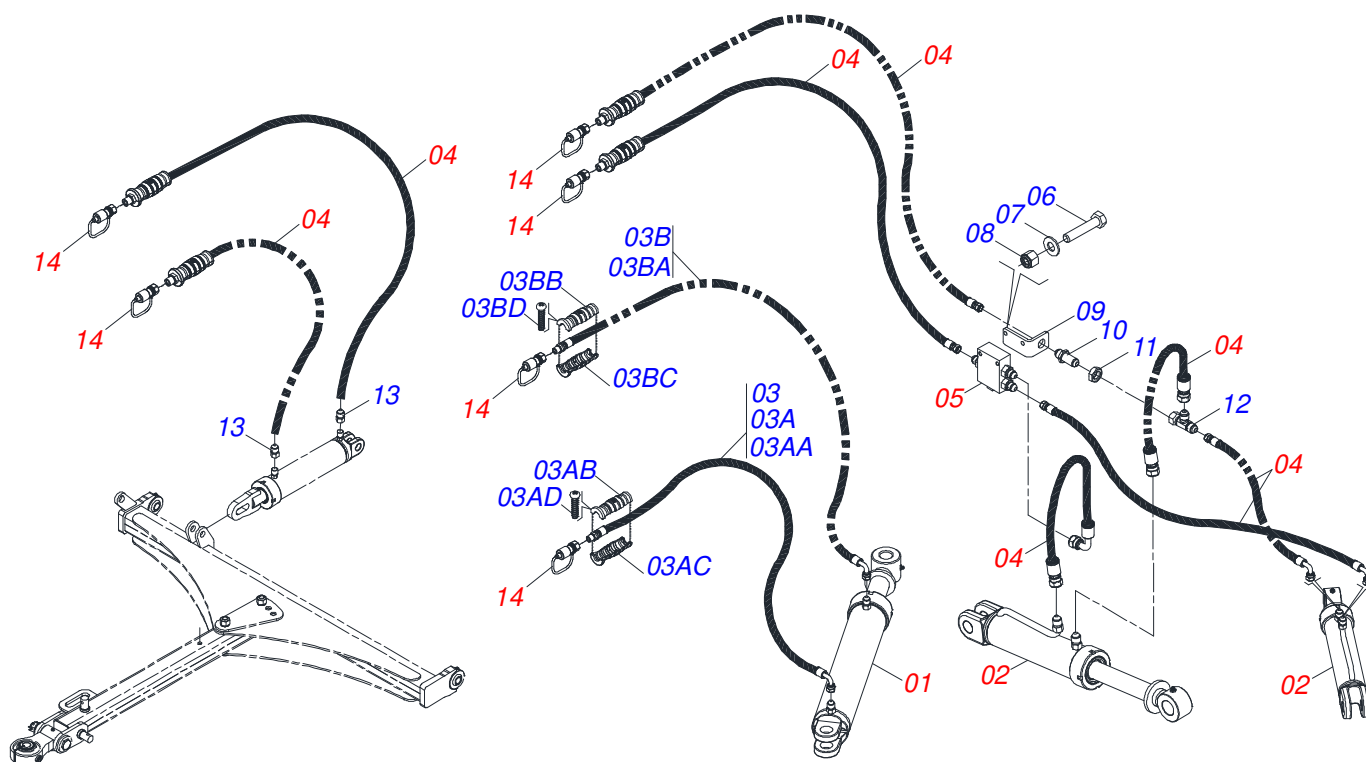
| Item | Code | Description | See page | QT |
|------|------------|--------------|----------|----|
| 01 | 0511067334 | HOSE SUPPORT | | 01 |
| 02 | 0503010014 | 3/4" HEX NUT | | 02 |
| 03 | 0501010322 | FLAT WASHER | | 02 |



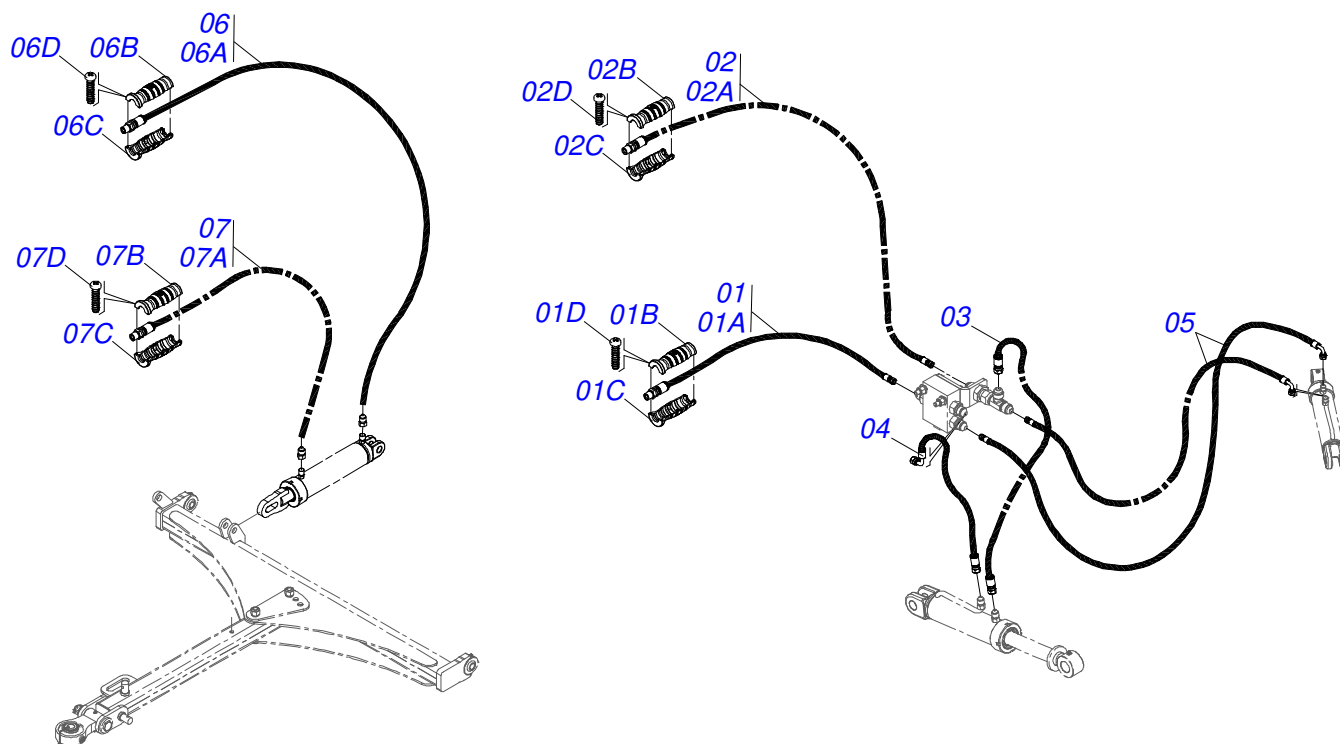
| Item | Code | Description | See page | QT |
|------|------------|-------------------------------|----------|----|
| 01 | 0501012916 | FLAT WASHER 40 X 66 X 4,75 ZN | | 02 |
| 02 | 0503030430 | 7/16 X 2" PIN LOCK | | 04 |
| 03 | 0541015542 | 1.1/8" HITCH AXLE | | 02 |
| 04 | 0511017480 | FLAT WASHER | | 02 |
| 05 | 0531061885 | TRANSPORT BAR | | 01 |



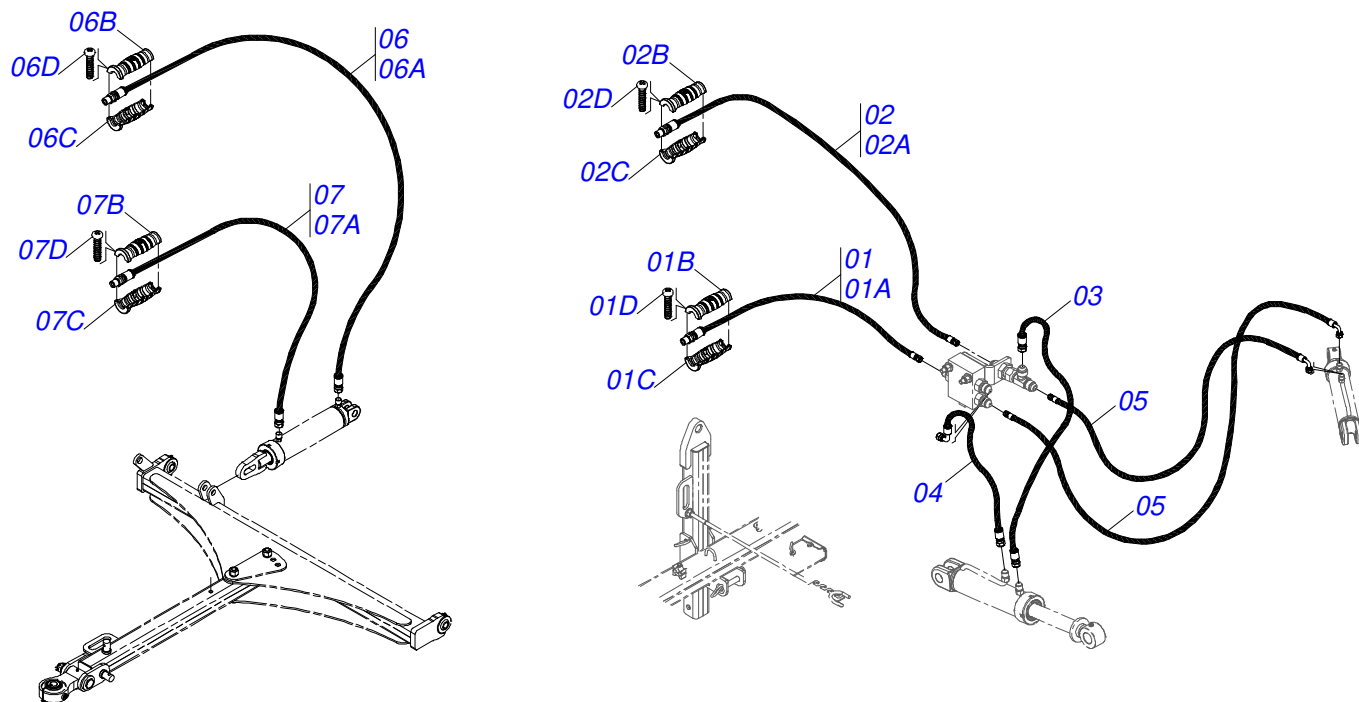
| Item | Code | Description | See page | QT |
|------|------------|------------------------------|----------|----|
| 01 | 0503060100 | INSTRUCTIONS MANUAL CANISTER | | 01 |
| 02 | 0503010267 | NYLON CLAMP | | 01 |
| 03 | 0503010363 | BOLT 5/16 UNC X 1 C S G.2 ZN | | 01 |
| 04 | 0501010694 | FLAT WASHER | | 01 |
| 05 | 0503010179 | LOCK WASHER 5/16 ZN 1K01528 | | 01 |
| 06 | 0503010337 | 5/16" NUT | | 01 |



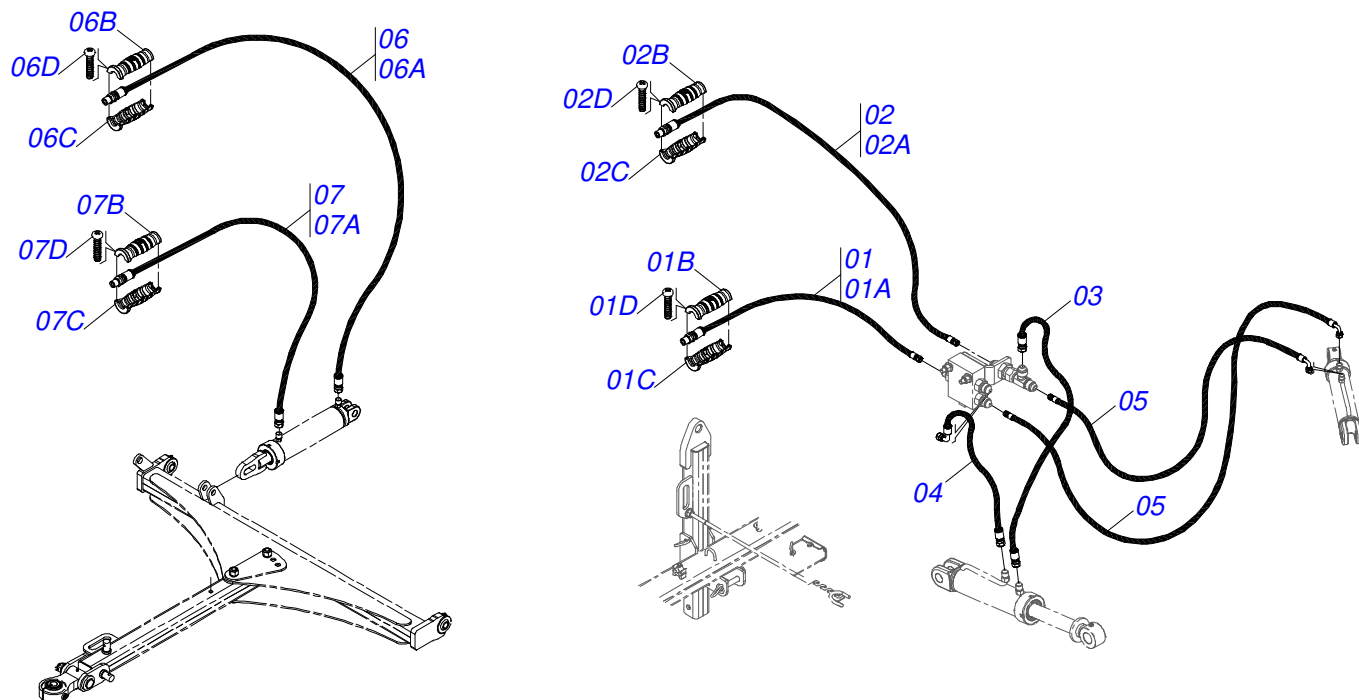
| Item | Code | Description | See page | 48 | 52 | 56 | 60 | 64 |
|--------|------------|--|----------|----|----|----|----|----|
| 01 | 0511058461 | HYDRAULIC CYLINDER | 36 | 01 | 01 | 01 | 01 | 01 |
| 02 | 0521056810 | HYDRAULIC CYLINDER 44,45X76,20X405X170 | 35 | 02 | 02 | 02 | 02 | 02 |
| 03 | 0521053412 | HOSE KIT | | 01 | 01 | 01 | 01 | 01 |
| 03A | 0521053413 | HOSE 3/8 X 4500 TC-TM PURPLE/RED | | 01 | 01 | 01 | 01 | 01 |
| 03AA | 0501080362 | 3/8" X 177" TC-TM HOSE | | 01 | 01 | 01 | 01 | 01 |
| 03AB | 0503034491 | HYDRAULIC HOSE GRIP (PURPLE) | | 01 | 01 | 01 | 01 | 01 |
| 03AC | 0503034495 | HYDRAULIC HOSE GRIP (RED) | | 01 | 01 | 01 | 01 | 01 |
| 03AD | 0503018952 | PLASTIC BOLT | | 06 | 06 | 06 | 06 | 06 |
| 03B | 0521053414 | HOSE 3/8 X 4500 TC-TM PURPLE/BLUE | | 01 | 01 | 01 | 01 | 01 |
| 03BA | 0501080362 | 3/8" X 177" TC-TM HOSE | | 01 | 01 | 01 | 01 | 01 |
| 03BB | 0503034491 | HYDRAULIC HOSE GRIP (PURPLE) | | 01 | 01 | 01 | 01 | 01 |
| 03BC | 0503034494 | HYDRAULIC HOSE GRIP (BLUE) | | 01 | 01 | 01 | 01 | 01 |
| 03BD | 0503018952 | PLASTIC BOLT | | 06 | 06 | 06 | 06 | 06 |
| 04 | 0521054451 | HOSE SET HYDRAULIC LIFTING SET 48 | 42 | 01 | 00 | 00 | 00 | 00 |
| 04. | 0521054455 | HOSE SET HYDRAULIC LIFTING SET 52 | 43 | 00 | 01 | 00 | 00 | 00 |
| 04.. | 0521054453 | HOSE SET HYDRAULIC LIFTING SET 56 | 44 | 00 | 00 | 01 | 00 | 00 |
| 04... | 0521054450 | HOSE SET HYDRAULIC LIFTING SET 60 | 45 | 00 | 00 | 00 | 01 | 00 |
| 04.... | 0521054452 | HOSE SET HYDRAULIC LIFTING SET 64 | 46 | 00 | 00 | 00 | 00 | 01 |
| 05 | 0521050797 | FLOW DIVIDER VALVE | 47 | 01 | 01 | 01 | 01 | 01 |
| 06 | 0503011766 | 5/16" X 2-1/2" BOLT | | 02 | 02 | 02 | 02 | 02 |
| 07 | 0501010694 | FLAT WASHER | | 02 | 02 | 02 | 02 | 02 |
| 08 | 0503013759 | NUT | | 02 | 02 | 02 | 02 | 02 |
| 09 | 0581016273 | SUPPORT | | 01 | 01 | 01 | 01 | 01 |
| 10 | 0541012165 | 3/4" NIPPLE | | 01 | 01 | 01 | 01 | 01 |
| 11 | 0571018575 | NUT - R.3/4" UNF 16FPP X 10 | | 01 | 01 | 01 | 01 | 01 |
| 12 | 0503011968 | 3/4" 8R6X-S T ADAPTER WITH SWIVEL NUT | | 01 | 01 | 01 | 01 | 01 |
| 13 | 0511018012 | HIDRAULIC ADAPTER | | 02 | 02 | 02 | 02 | 02 |
| 14 | 0501053834 | MALE QUICK COUPLER | 48 | 06 | 06 | 06 | 06 | 06 |



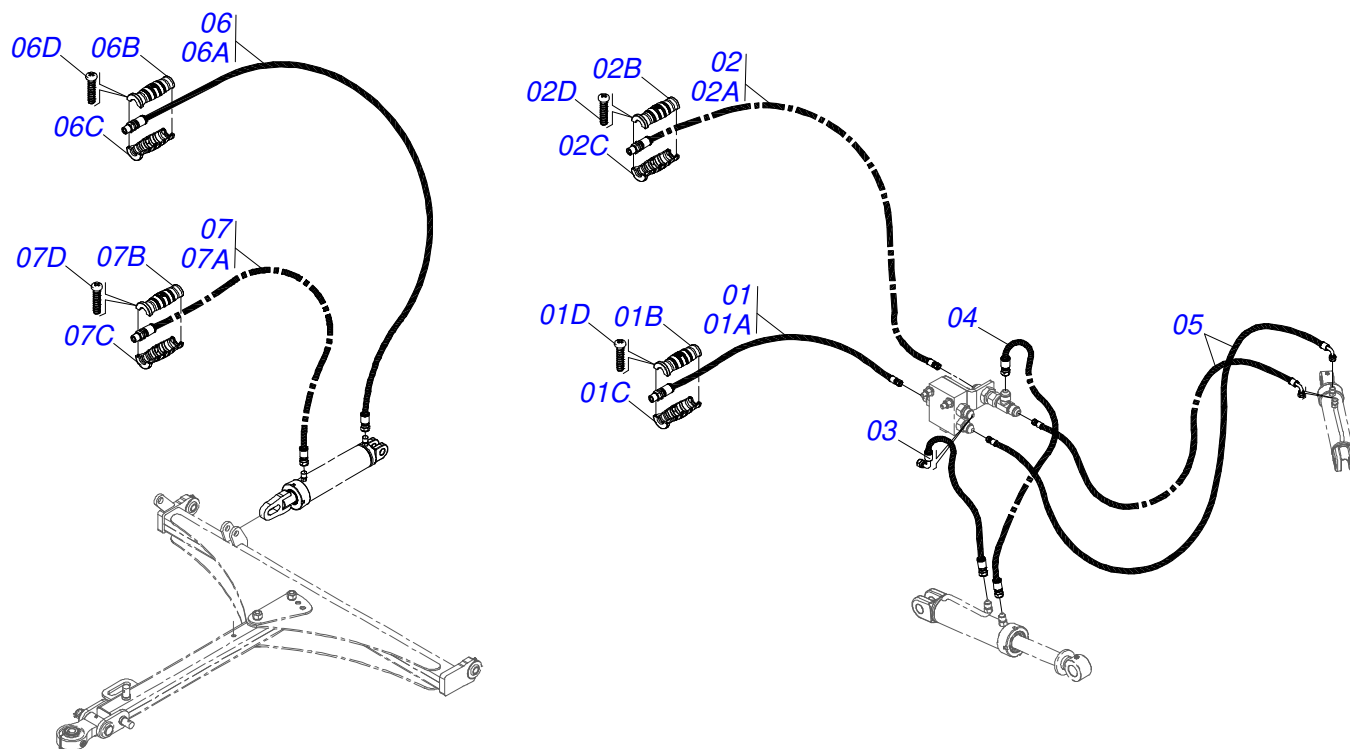
| Item | Code | Description | See page | QT |
|------|------------|------------------------------------|----------|----|
| 01 | 0521053168 | 3/8" X 270" TR-TM HOSE | | 01 |
| 01A | 0501082196 | 3/8 X 6120 TR-TM HOSE | | 01 |
| 01B | 0503034495 | HYDRAULIC HOSE GRIP (RED) | | 01 |
| 01C | 0503034492 | HYDRAULIC HOSE GRIP (BLACK) | | 01 |
| 01D | 0503018952 | PLASTIC BOLT | | 06 |
| 02 | 0521053169 | 3/8" X 240" TR-TM HOSE | | 01 |
| 02A | 0501082196 | 3/8 X 6120 TR-TM HOSE | | 01 |
| 02B | 0503034492 | HYDRAULIC HOSE GRIP (BLACK) | | 01 |
| 02C | 0503034494 | HYDRAULIC HOSE GRIP (BLUE) | | 01 |
| 02D | 0503018952 | PLASTIC BOLT | | 06 |
| 03 | 0501080406 | 3/8" X 23" TR-TC HOSE | | 01 |
| 04 | 0501080460 | 3/8" X 23" TR-TR HOSE | | 01 |
| 05 | 0501082195 | 3/8" X 102" TR-TC HOSE | | 02 |
| 06 | 0531050513 | HOSE 3/8 X 4500 TR-TM VERD / VERM | | 01 |
| 06A | 0501080363 | 3/8" X 177" TR-TM HOSE ASSY | | 01 |
| 06B | 0503034495 | HYDRAULIC HOSE GRIP (RED) | | 01 |
| 06C | 0503034497 | HYDRAULIC HOSE GRIP (GREEN) | | 01 |
| 06D | 0503018952 | PLASTIC BOLT | | 06 |
| 07 | 0531050512 | 3/8 X 4500 TR-TM HOSE GREEN / BLUE | | 01 |
| 07A | 0501080363 | 3/8" X 177" TR-TM HOSE ASSY | | 01 |
| 07B | 0503034494 | HYDRAULIC HOSE GRIP (BLUE) | | 01 |
| 07C | 0503034497 | HYDRAULIC HOSE GRIP (GREEN) | | 01 |
| 07D | 0503018952 | PLASTIC BOLT | | 06 |



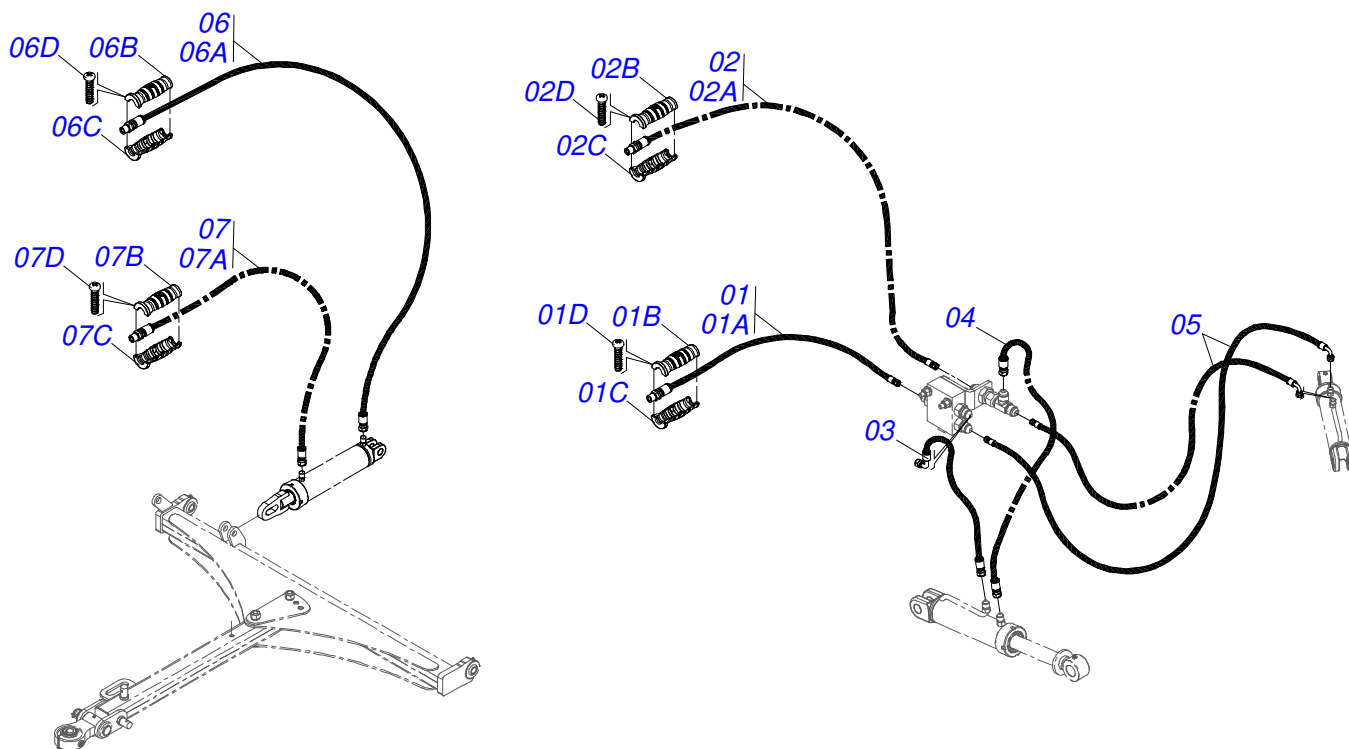
| Item | Code | Description | See page | QT |
|------|------------|------------------------------------|----------|----|
| 01 | 0521053271 | 3/8" X 255" TR-TM HOSE | | 01 |
| 01A | 0501082200 | 3/8 X 6500 TR-TM HOSE | | 01 |
| 01B | 0503034495 | HYDRAULIC HOSE GRIP (RED) | | 01 |
| 01C | 0503034492 | HYDRAULIC HOSE GRIP (BLACK) | | 01 |
| 01D | 0503018952 | PLASTIC BOLT | | 06 |
| 02 | 0521053270 | 3/8" X 255" TR-TM HOSE | | 01 |
| 02A | 0501082200 | 3/8 X 6500 TR-TM HOSE | | 01 |
| 02B | 0503034492 | HYDRAULIC HOSE GRIP (BLACK) | | 01 |
| 02C | 0503034494 | HYDRAULIC HOSE GRIP (BLUE) | | 01 |
| 02D | 0503018952 | PLASTIC BOLT | | 06 |
| 03 | 0501080406 | 3/8" X 23" TR-TC HOSE | | 01 |
| 04 | 0501080460 | 3/8" X 23" TR-TR HOSE | | 01 |
| 05 | 0501082199 | 3/8" X 94" TR-TC HOSE | | 02 |
| 06 | 0531050513 | HOSE 3/8 X 4500 TR-TM VERD / VERM | | 01 |
| 06A | 0501080363 | 3/8" X 177" TR-TM HOSE ASSY | | 01 |
| 06B | 0503034495 | HYDRAULIC HOSE GRIP (RED) | | 01 |
| 06C | 0503034497 | HYDRAULIC HOSE GRIP (GREEN) | | 01 |
| 06D | 0503018952 | PLASTIC BOLT | | 06 |
| 07 | 0531050512 | 3/8 X 4500 TR-TM HOSE GREEN / BLUE | | 01 |
| 07A | 0501080363 | 3/8" X 177" TR-TM HOSE ASSY | | 01 |
| 07B | 0503034494 | HYDRAULIC HOSE GRIP (BLUE) | | 01 |
| 07C | 0503034497 | HYDRAULIC HOSE GRIP (GREEN) | | 01 |
| 07D | 0503018952 | PLASTIC BOLT | | 06 |



| Item | Code | Description | See page | QT |
|------|------------|------------------------------------|----------|----|
| 01 | 0521053252 | 3/8" X 263" TR-TM HOSE | | 01 |
| 01A | 0501082198 | 3/8 X 6700 TR-TM HOSE | | 01 |
| 01B | 0503034495 | HYDRAULIC HOSE GRIP (RED) | | 01 |
| 01C | 0503034492 | HYDRAULIC HOSE GRIP (BLACK) | | 01 |
| 01D | 0503018952 | PLASTIC BOLT | | 06 |
| 02 | 0521053251 | 3/8" X 263" TR-TM HOSE | | 01 |
| 02A | 0501082198 | 3/8 X 6700 TR-TM HOSE | | 01 |
| 02B | 0503034492 | HYDRAULIC HOSE GRIP (BLACK) | | 01 |
| 02C | 0503034494 | HYDRAULIC HOSE GRIP (BLUE) | | 01 |
| 02D | 0503018952 | PLASTIC BOLT | | 06 |
| 03 | 0501080406 | 3/8" X 23" TR-TC HOSE | | 01 |
| 04 | 0501080460 | 3/8" X 23" TR-TR HOSE | | 01 |
| 05 | 0501082197 | 3/8" X 110" TR-TC HOSE | | 02 |
| 06 | 0531050513 | HOSE 3/8 X 4500 TR-TM VERD / VERM | | 01 |
| 06A | 0501080363 | 3/8" X 177" TR-TM HOSE ASSY | | 01 |
| 06B | 0503034495 | HYDRAULIC HOSE GRIP (RED) | | 01 |
| 06C | 0503034497 | HYDRAULIC HOSE GRIP (GREEN) | | 01 |
| 06D | 0503018952 | PLASTIC BOLT | | 06 |
| 07 | 0531050512 | 3/8 X 4500 TR-TM HOSE GREEN / BLUE | | 01 |
| 07A | 0501080363 | 3/8" X 177" TR-TM HOSE ASSY | | 01 |
| 07B | 0503034494 | HYDRAULIC HOSE GRIP (BLUE) | | 01 |
| 07C | 0503034497 | HYDRAULIC HOSE GRIP (GREEN) | | 01 |
| 07D | 0503018952 | PLASTIC BOLT | | 06 |

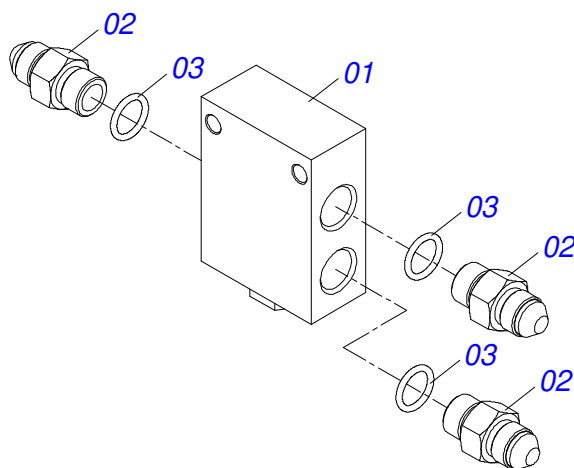


| Item | Code | Description | See page | QT |
|------|------------|------------------------------------|----------|----|
| 01 | 0521053156 | 3/8" X 271" TR-TM HOSE | | 01 |
| 01A | 0501082194 | 3/8 X 6900 TR-TM HOSE | | 01 |
| 01B | 0503034495 | HYDRAULIC HOSE GRIP (RED) | | 01 |
| 01C | 0503034492 | HYDRAULIC HOSE GRIP (BLACK) | | 01 |
| 01D | 0503018952 | PLASTIC BOLT | | 06 |
| 02 | 0521053155 | 3/8" X 271" TR-TM HOSE | | 01 |
| 02A | 0501082194 | 3/8 X 6900 TR-TM HOSE | | 01 |
| 02B | 0503034492 | HYDRAULIC HOSE GRIP (BLACK) | | 01 |
| 02C | 0503034494 | HYDRAULIC HOSE GRIP (BLUE) | | 01 |
| 02D | 0503018952 | PLASTIC BOLT | | 06 |
| 03 | 0501080406 | 3/8" X 23" TR-TC HOSE | | 01 |
| 04 | 0501080460 | 3/8" X 23" TR-TR HOSE | | 01 |
| 05 | 0501082193 | 3/8" X 125" TR-TC HOSE | | 02 |
| 06 | 0531050513 | HOSE 3/8 X 4500 TR-TM VERD / VERM | | 01 |
| 06A | 0501080363 | 3/8" X 177" TR-TM HOSE ASSY | | 01 |
| 06B | 0503034495 | HYDRAULIC HOSE GRIP (RED) | | 01 |
| 06C | 0503034497 | HYDRAULIC HOSE GRIP (GREEN) | | 01 |
| 06D | 0503018952 | PLASTIC BOLT | | 06 |
| 07 | 0531050512 | 3/8 X 4500 TR-TM HOSE GREEN / BLUE | | 01 |
| 07A | 0501080363 | 3/8" X 177" TR-TM HOSE ASSY | | 01 |
| 07B | 0503034494 | HYDRAULIC HOSE GRIP (BLUE) | | 01 |
| 07C | 0503034497 | HYDRAULIC HOSE GRIP (GREEN) | | 01 |
| 07D | 0503018952 | PLASTIC BOLT | | 06 |



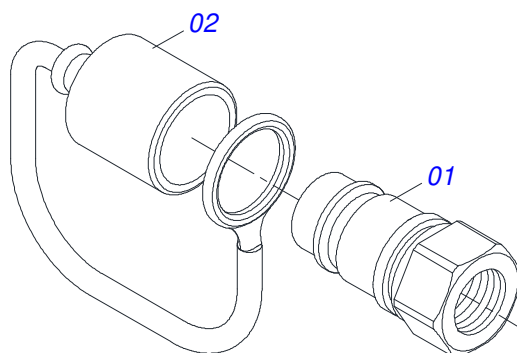
| Item | Code | Description | See page | QT |
|------|------------|------------------------------------|----------|----|
| 01 | 0521053117 | 3/8" X 279" TR-TM HOSE | | 01 |
| 01A | 0501082192 | 3/8 X 7100 TR-TM HOSE | | 01 |
| 01B | 0503034492 | HYDRAULIC HOSE GRIP (BLACK) | | 01 |
| 01C | 0503034494 | HYDRAULIC HOSE GRIP (BLUE) | | 01 |
| 01D | 0503018952 | PLASTIC BOLT | | 06 |
| 02 | 0521053118 | 3/8" X 279" TR-TM HOSE | | 01 |
| 02A | 0501082192 | 3/8 X 7100 TR-TM HOSE | | 01 |
| 02B | 0503034495 | HYDRAULIC HOSE GRIP (RED) | | 01 |
| 02C | 0503034492 | HYDRAULIC HOSE GRIP (BLACK) | | 01 |
| 02D | 0503018952 | PLASTIC BOLT | | 06 |
| 03 | 0501080406 | 3/8" X 23" TR-TC HOSE | | 01 |
| 04 | 0501080460 | 3/8" X 23" TR-TR HOSE | | 01 |
| 05 | 0501080435 | 3/8" X 141" TR-TC HOSE | | 02 |
| 06 | 0531050513 | HOSE 3/8 X 4500 TR-TM VERD / VERM | | 01 |
| 06A | 0501080363 | 3/8" X 177" TR-TM HOSE ASSY | | 01 |
| 06B | 0503034495 | HYDRAULIC HOSE GRIP (RED) | | 01 |
| 06C | 0503034497 | HYDRAULIC HOSE GRIP (GREEN) | | 01 |
| 06D | 0503018952 | PLASTIC BOLT | | 06 |
| 07 | 0531050512 | 3/8 X 4500 TR-TM HOSE GREEN / BLUE | | 01 |
| 07A | 0501080363 | 3/8" X 177" TR-TM HOSE ASSY | | 01 |
| 07B | 0503034494 | HYDRAULIC HOSE GRIP (BLUE) | | 01 |
| 07C | 0503034497 | HYDRAULIC HOSE GRIP (GREEN) | | 01 |
| 07D | 0503018952 | PLASTIC BOLT | | 06 |

FLOW DIVIDER VALVE

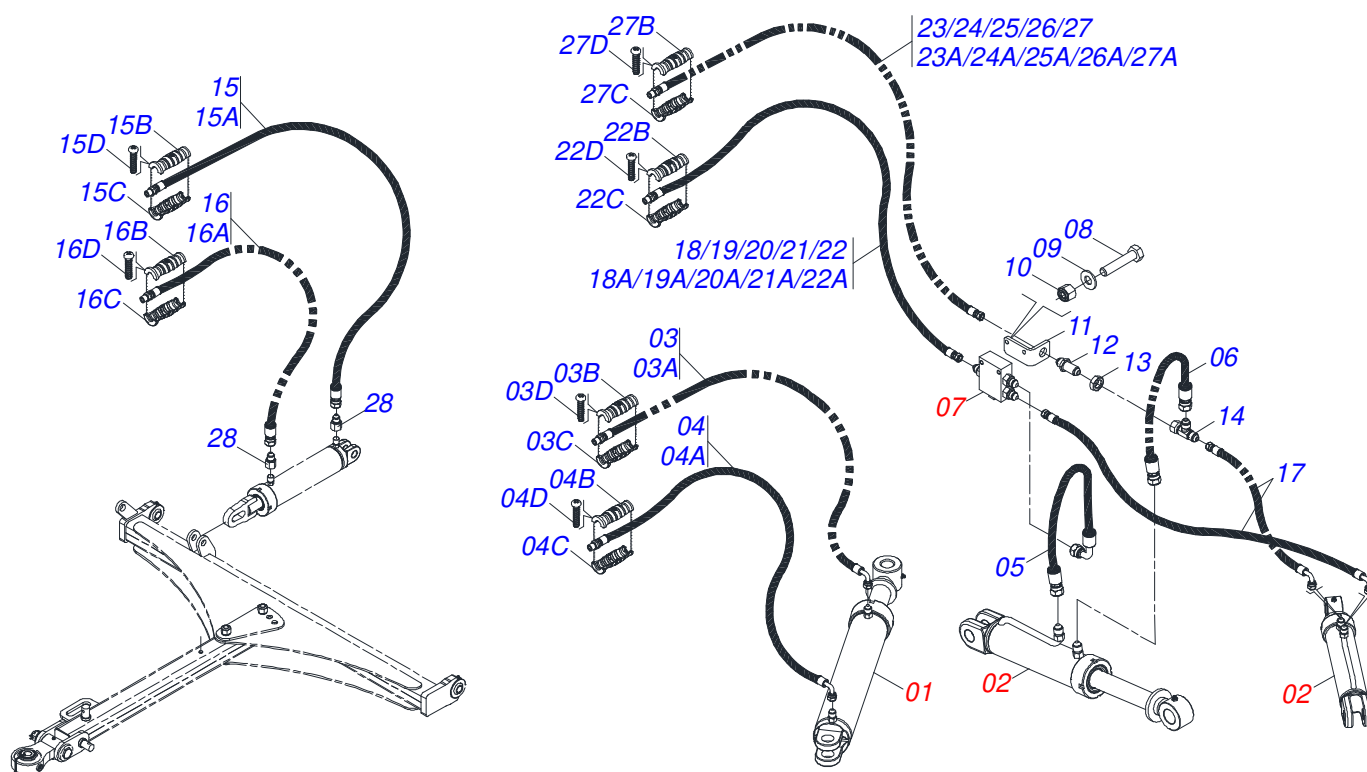


| Item | Code | Description | See page | QT |
|------|------------|------------------------|----------|----|
| 01 | 0503012481 | FLOW DIVIDING VALVE | | 01 |
| 02 | 0501010617 | 3/4" NIPPLE | | 03 |
| 03 | 0503010190 | 2-114 N 3006-9B O'RING | | 03 |

MALE QUICK COUPLER



| Item | Code | Description | See page | QT |
|------|------------|--------------------------------|----------|----|
| 01 | 0503011627 | MALE QUICK COUPLER AGR 1/2 NPT | | 01 |
| 02 | 0503011882 | MALE QUICK COUPLER CAP | | 01 |



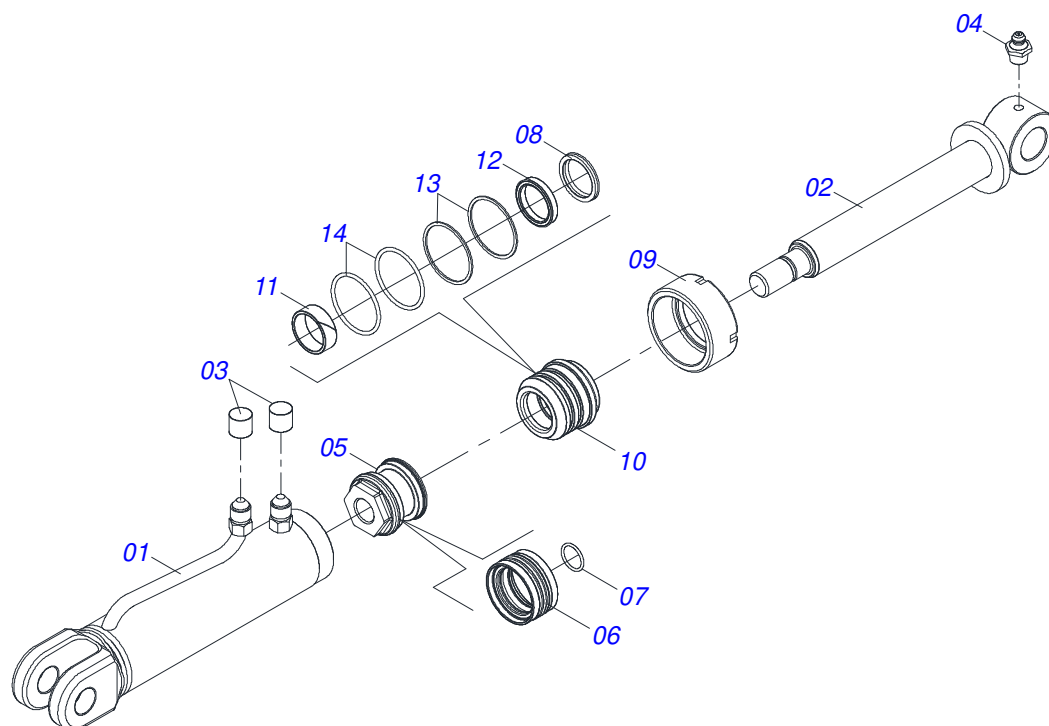
| Item | Code | Description | See page | 68 | 72 | 76 | 80 | 84 |
|------|------------|--|----------|----|----|----|----|----|
| 01 | 0511058461 | HYDRAULIC CYLINDER | 36 | 01 | 01 | 01 | 01 | 01 |
| 02 | 0511058421 | 38,10X63,50X405X170 HYDRAULIC CYLINDER | 50 | 02 | 02 | 02 | 02 | 02 |
| 03 | 0521053414 | HOSE 3/8 X 4500 TC-TM PURPLE/BLUE | | 01 | 01 | 01 | 01 | 01 |
| 03A | 0501080362 | 3/8" X 177" TC-TM HOSE | | 01 | 01 | 01 | 01 | 01 |
| 03B | 0503034491 | HYDRAULIC HOSE GRIP (PURPLE) | | 01 | 01 | 01 | 01 | 01 |
| 03C | 0503034494 | HYDRAULIC HOSE GRIP (BLUE) | | 01 | 01 | 01 | 01 | 01 |
| 03D | 0503018952 | PLASTIC BOLT | | 06 | 06 | 06 | 06 | 06 |
| 04 | 0521053413 | HOSE 3/8 X 4500 TC-TM PURPLE/RED | | 01 | 01 | 01 | 01 | 01 |
| 04A | 0501080362 | 3/8" X 177" TC-TM HOSE | | 01 | 01 | 01 | 01 | 01 |
| 04B | 0503034491 | HYDRAULIC HOSE GRIP (PURPLE) | | 01 | 01 | 01 | 01 | 01 |
| 04C | 0503034495 | HYDRAULIC HOSE GRIP (RED) | | 01 | 01 | 01 | 01 | 01 |
| 04D | 0503018952 | PLASTIC BOLT | | 06 | 06 | 06 | 06 | 06 |
| 05 | 0501080406 | 3/8" X 23" TR-TC HOSE | | 01 | 01 | 01 | 01 | 01 |
| 06 | 0501080460 | 3/8" X 23" TR-TR HOSE | | 01 | 01 | 01 | 01 | 01 |
| 07 | 0521050797 | FLOW DIVIDER VALVE | 47 | 01 | 01 | 01 | 01 | 01 |
| 08 | 0503011766 | 5/16" X 2-1/2" BOLT | | 02 | 02 | 02 | 02 | 02 |
| 09 | 0501010694 | FLAT WASHER | | 02 | 02 | 02 | 02 | 02 |
| 10 | 0503013759 | NUT | | 02 | 02 | 02 | 02 | 02 |
| 11 | 0581016273 | SUPPORT | | 01 | 01 | 01 | 01 | 01 |
| 12 | 0541012165 | 3/4" NIPPLE | | 01 | 01 | 01 | 01 | 01 |
| 13 | 0571018575 | NUT - R.3/4" UNF 16FPP X 10 | | 01 | 01 | 01 | 01 | 01 |
| 14 | 0503011968 | 3/4" 8R6X-S T ADAPTER WITH SWIVEL NUT | | 01 | 01 | 01 | 01 | 01 |
| 15 | 0531050513 | HOSE 3/8 X 4500 TR-TM VERD / VERM | | 01 | 01 | 01 | 01 | 01 |
| 15A | 0501080363 | 3/8" X 177" TR-TM HOSE ASSY | | 01 | 01 | 01 | 01 | 01 |
| 15B | 0503034495 | HYDRAULIC HOSE GRIP (RED) | | 01 | 01 | 01 | 01 | 01 |
| 15C | 0503034497 | HYDRAULIC HOSE GRIP (GREEN) | | 01 | 01 | 01 | 01 | 01 |
| 15D | 0503018952 | PLASTIC BOLT | | 06 | 06 | 06 | 06 | 06 |
| 16 | 0531050512 | 3/8 X 4500 TR-TM HOSE GREEN / BLUE | | 01 | 01 | 01 | 01 | 01 |
| 16A | 0501080363 | 3/8" X 177" TR-TM HOSE ASSY | | 01 | 01 | 01 | 01 | 01 |
| 16B | 0503034494 | HYDRAULIC HOSE GRIP (BLUE) | | 01 | 01 | 01 | 01 | 01 |
| 16C | 0503034497 | HYDRAULIC HOSE GRIP (GREEN) | | 01 | 01 | 01 | 01 | 01 |



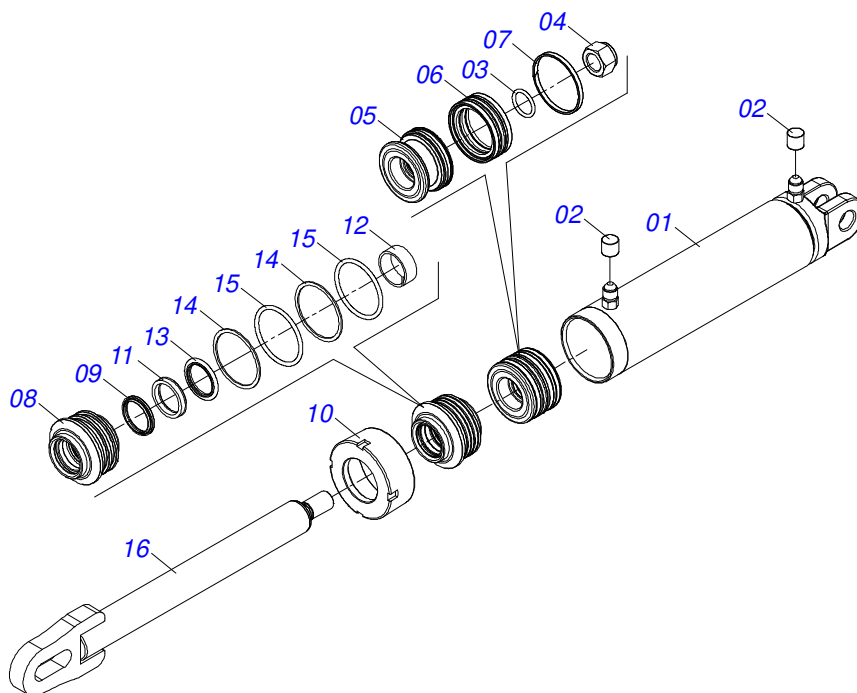
HYDRAULIC CIRCUIT - 68/72/76/80/84D

0909094922

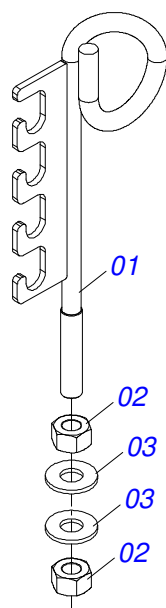
| Item | Code | Description | See page | 68 | 72 | 76 | 80 | 84 |
|--------|------------|------------------------------------|----------|----|----|----|----|----|
| 16D | 0503018952 | PLASTIC BOLT | | 06 | 06 | 06 | 06 | 06 |
| 17 | 0501080605 | 3/8" X 160" TR-TC HOSE ASSY | | 02 | 00 | 00 | 00 | 00 |
| 17. | 0501081724 | HOSE | | 00 | 02 | 00 | 00 | 00 |
| 17.. | 0501082214 | 3/8" X 188" TR-TC HOSE | | 00 | 00 | 02 | 00 | 00 |
| 17... | 0501082213 | 3/8" X 204" TR-TC HOSE | | 00 | 00 | 00 | 02 | 00 |
| 17.... | 0501082210 | 3/8" X 220" TR-TC HOSE | | 00 | 00 | 00 | 00 | 02 |
| 18 | 0521053115 | 3/8" X 287" TR-TM HOSE | | 01 | 00 | 00 | 00 | 00 |
| 18A | 0501082191 | 3/8 X 7300 TR-TM HOSE | | 01 | 00 | 00 | 00 | 00 |
| 19 | 0521053108 | 3/8 X 7500 TR-TM HOSE BLACK / RED | | 00 | 01 | 00 | 00 | 00 |
| 19A | 0501080349 | 3/8" X 7500 TR-TM HOSE | | 00 | 01 | 00 | 00 | 00 |
| 20 | 0521054047 | 3/8 X 7700 TR-TM BLACK/RED HOSE | | 00 | 00 | 01 | 00 | 00 |
| 20A | 0501082211 | 3/8 X 7700 TR-TM HOSE | | 00 | 00 | 01 | 00 | 00 |
| 21 | 0521054035 | 3/8 X 7900 TR-TM HOSE BLACK / RED | | 00 | 00 | 00 | 01 | 00 |
| 21A | 0501082212 | HOSE 3/8 X 7900 TR-TM | | 00 | 00 | 00 | 01 | 00 |
| 22 | 0521054007 | 3/8" X 318" TR-TM HOSE | | 00 | 00 | 00 | 00 | 01 |
| 22A | 0501082209 | 3/8 X 8100 TR-TM HOSE | | 00 | 00 | 00 | 00 | 01 |
| 22B | 0503034495 | HYDRAULIC HOSE GRIP (RED) | | 00 | 00 | 00 | 00 | 01 |
| 22C | 0503034492 | HYDRAULIC HOSE GRIP (BLACK) | | 00 | 00 | 00 | 00 | 01 |
| 22D | 0503018952 | PLASTIC BOLT | | 06 | 06 | 06 | 06 | 06 |
| 23 | 0521053116 | 3/8" X 287" TR-TM HOSE | | 01 | 00 | 00 | 00 | 00 |
| 23A | 0501082191 | 3/8 X 7300 TR-TM HOSE | | 01 | 00 | 00 | 00 | 00 |
| 24 | 0521053107 | 3/8 X 7500 TR-TM HOSE BLACK / BLUE | | 00 | 01 | 00 | 00 | 00 |
| 24A | 0501080349 | 3/8" X 7500 TR-TM HOSE | | 00 | 01 | 00 | 00 | 00 |
| 25 | 0521054046 | 3/8 X 7700 TR-TM BLACK/BLUE HOSE | | 00 | 00 | 01 | 00 | 00 |
| 25A | 0501082211 | 3/8 X 7700 TR-TM HOSE | | 00 | 00 | 01 | 00 | 00 |
| 26 | 0521054048 | 3/8" X 311" TR-TM HOSE | | 00 | 00 | 00 | 01 | 00 |
| 26A | 0501082212 | HOSE 3/8 X 7900 TR-TM | | 00 | 00 | 00 | 01 | 00 |
| 27 | 0521054006 | 3/8" X 318" TR-TM HOSE | | 00 | 00 | 00 | 00 | 01 |
| 27A | 0501082209 | 3/8 X 8100 TR-TM HOSE | | 00 | 00 | 00 | 00 | 01 |
| 27B | 0503034492 | HYDRAULIC HOSE GRIP (BLACK) | | 01 | 01 | 01 | 01 | 01 |
| 27C | 0503034494 | HYDRAULIC HOSE GRIP (BLUE) | | 01 | 01 | 01 | 01 | 01 |
| 27D | 0503018952 | PLASTIC BOLT | | 06 | 06 | 06 | 06 | 06 |
| 28 | 0511018012 | HIDRAULIC ADAPTER | | 02 | 02 | 02 | 02 | 02 |



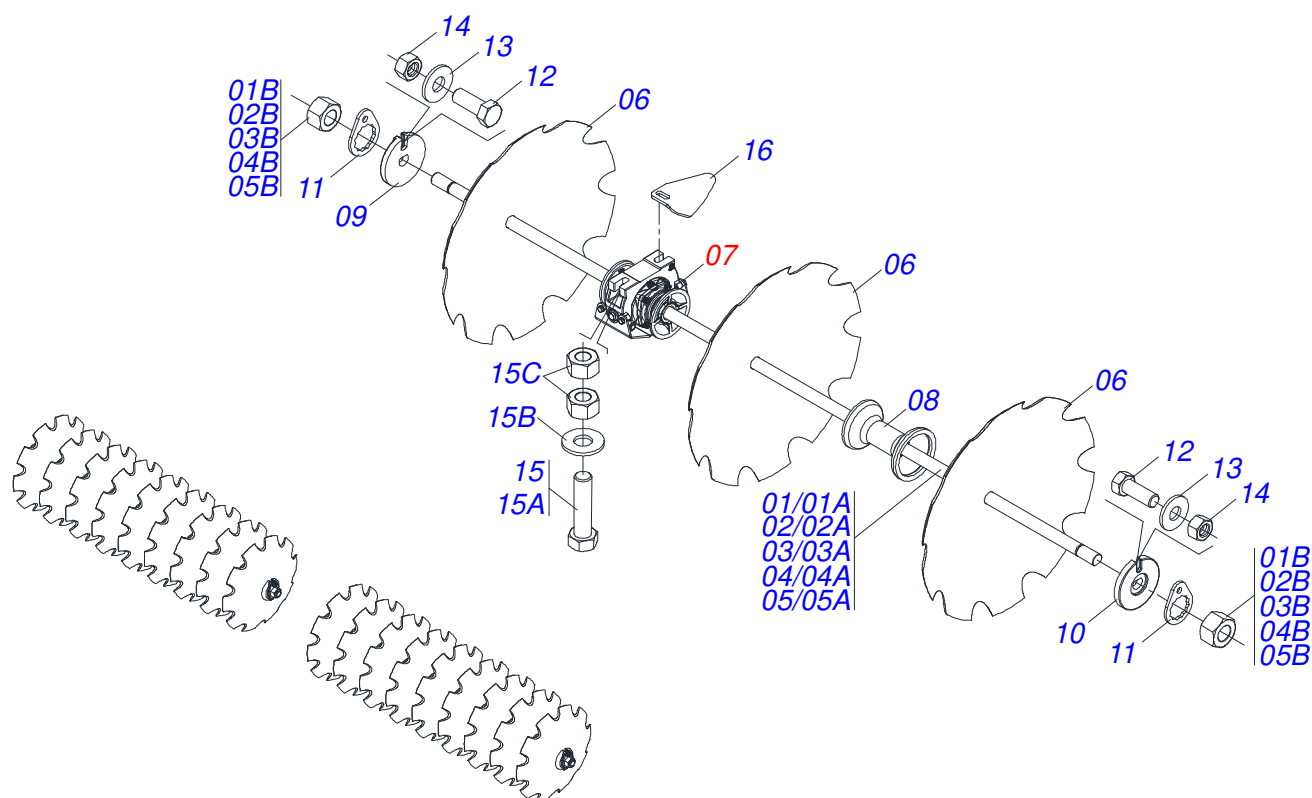
| Item | Code | Description | See page | QT |
|------|------------|--|----------|----|
| 01 | 0501068493 | 2.5" X 10.7" CYLINDER CASE | | 01 |
| 02 | 0521066630 | 38,10 X 313 STEM | | 01 |
| 03 | 0503030385 | CYLINDER PLUG N-002 | | 02 |
| 04 | 0503010002 | 1800 GREASE FITTING | | 01 |
| 05 | 0502012837 | PISTON | | 01 |
| 06 | 0503018005 | RING | | 01 |
| 07 | 0503011109 | 2-119 N 3006-9B O'RING | | 01 |
| 08 | 0503010163 | D-1500 SCRAPER RING | | 01 |
| 09 | 0502010471 | 63,50 MOBILE CAP | | 01 |
| 10 | 0581010668 | RING SUPPORT | | 01 |
| 11 | 0503018004 | RING | | 01 |
| 12 | 0503018003 | GASKET | | 01 |
| 13 | 0503018163 | BACK-UP RING | | 02 |
| 14 | 0503018162 | O'RING | | 02 |
| 15 | 0511032280 | ASSY REPAIR KIT 38,10 X 63,50 (0511058413) | | 01 |



| Item | Code | Description | See page | QT |
|------|------------|-------------------------------|----------|----|
| 01 | 0531061884 | CASE 85.70 X 265 | | 01 |
| 02 | 0503030385 | CYLINDER PLUG N-002 | | 02 |
| 03 | 0503010042 | 2-214 N 3006-9B O'RING | | 01 |
| 04 | 0503010063 | 1" SELF-ALIGNING NUT | | 01 |
| 05 | 0571019710 | 1.7" X 3.4" PISTON | | 01 |
| 06 | 0503017935 | RING | | 01 |
| 07 | 0503018144 | RING | | 01 |
| 08 | 0571019711 | RING SUPPORT | | 01 |
| 09 | 0503010761 | D-1750 SCRAPER RING | | 01 |
| 10 | 0571019709 | DETACHABLE COVER | | 01 |
| 11 | 0503017936 | RING | | 01 |
| 12 | 0503017938 | RING GUIDE | | 01 |
| 13 | 0503017937 | GASKET | | 01 |
| 14 | 0503017940 | 8-337 BACK-UP RING | | 02 |
| 15 | 0503017939 | 2-337 N 3006-9B O' RING | | 02 |
| 16 | 0531061883 | EXTENSOR 44.45 X 535 | | 01 |
| 17 | 0511032281 | HYDRAULIC CYLINDER REPAIR KIT | | 01 |



| Item | Code | Description | See page | QT |
|------|------------|--------------|----------|----|
| 01 | 0521068388 | HOSE SUPPORT | | 01 |
| 02 | 0503010014 | 3/4" HEX NUT | | 02 |
| 03 | 0501010322 | FLAT WASHER | | 02 |



| Item | Code | Description | See page | 48 | 52 | 56 | 60 | 64 |
|--------|------------|------------------------------------|----------|----|----|----|----|----|
| 01 | 0521045341 | 1.1/2 6FPP X 2290 AXLE WITH NUTS | | 02 | 00 | 00 | 00 | 00 |
| 01A | 0511012017 | 1.1/2 6FPP X 2290 AXLE | | 02 | 00 | 00 | 00 | 00 |
| 01B | 0501810110 | 1.1/2 NC 6FPP NUT | | 04 | 00 | 00 | 00 | 00 |
| 02 | 0511054527 | 1.1/2 6FPP X 2490 AXLE WITH NUTS | | 00 | 02 | 00 | 00 | 00 |
| 02A | 0531019372 | 1.1/2 6FPP X 2490 AXLE | | 00 | 02 | 00 | 00 | 00 |
| 02B | 0501810110 | 1.1/2 NC 6FPP NUT | | 00 | 04 | 00 | 00 | 00 |
| 03 | 0511045023 | 1.1/2 6FPP X 2680 AXLE WITH NUTS | | 00 | 00 | 02 | 00 | 00 |
| 03A | 0551011002 | 1.1/2 6FPP X 2680 AXLE | | 00 | 00 | 02 | 00 | 00 |
| 03B | 0501810110 | 1.1/2 NC 6FPP NUT | | 00 | 00 | 04 | 00 | 00 |
| 04 | 0501059898 | 1.1/2 6FPP X 2880 AXLE WITH NUTS | | 00 | 00 | 00 | 02 | 00 |
| 04A | 0561016111 | 1.1/2 6FPP X 2880 AXLE | | 00 | 00 | 00 | 02 | 00 |
| 04B | 0501810110 | 1.1/2 NC 6FPP NUT | | 00 | 00 | 00 | 04 | 00 |
| 05 | 0531041856 | AXLE 1.1/2 UNC 6FPP 3080 WITH NUTS | | 00 | 00 | 00 | 00 | 02 |
| 05A | 0501212048 | AXLE 1.1/2 UNC 3080 | | 00 | 00 | 00 | 00 | 02 |
| 05B | 0501810110 | 1.1/2 NC 6FPP NUT | | 00 | 00 | 00 | 00 | 04 |
| 06 | 0602027341 | DR 20 X 3,5 C57AF02FR1.9/16 10R | | 24 | 26 | 28 | 30 | 32 |
| 06. | 0602027356 | DR 20 X 4,5 C57AF02FR1.9/16 10R | | 24 | 26 | 28 | 30 | 32 |
| 06.. | 0602029422 | DR 22 X 3,5 C64AF02FR1.9/16 10R | | 24 | 26 | 28 | 30 | 32 |
| 06... | 0602029416 | DR 22 X 4,5 C64AF02FR1.9/16 10R | | 24 | 26 | 28 | 30 | 32 |
| 06.... | 0602030429 | DR 24 X 4,5 C66AF02FR1.9/16 10R | | 24 | 26 | 28 | 30 | 32 |
| 07 | 0521047187 | BEARING | 57 | 06 | 06 | 06 | 06 | 06 |
| 08 | 0502010627 | SPACER | | 16 | 18 | 20 | 22 | 24 |
| 09 | 0502010871 | 1-1/2" EXTERNAL AXLE WASHER | | 02 | 02 | 02 | 02 | 02 |
| 10 | 0502010872 | 1-1/2" INNER AXLE WASHER | | 02 | 02 | 02 | 02 | 02 |
| 11 | 0501018592 | 1.5/8" NUT LOCK | | 04 | 04 | 04 | 04 | 04 |
| 12 | 0503011267 | 5/8 UNC X 1.1/2 C S G.5 ZN BOLT | | 04 | 04 | 04 | 04 | 04 |
| 13 | 0501012140 | FLAT WASHER | | 04 | 04 | 04 | 04 | 04 |
| 14 | 0503012412 | 5/8" UNC SELF LOCKING NUT | | 04 | 04 | 04 | 04 | 04 |
| 15 | 0521059224 | SCREW ASSEMBLY | | 12 | 12 | 12 | 12 | 12 |
| 15A | 0501013233 | 5/8" X 2-3/4" BOLT | | 12 | 12 | 12 | 12 | 12 |
| 15B | 0501012140 | FLAT WASHER | | 12 | 12 | 12 | 12 | 12 |

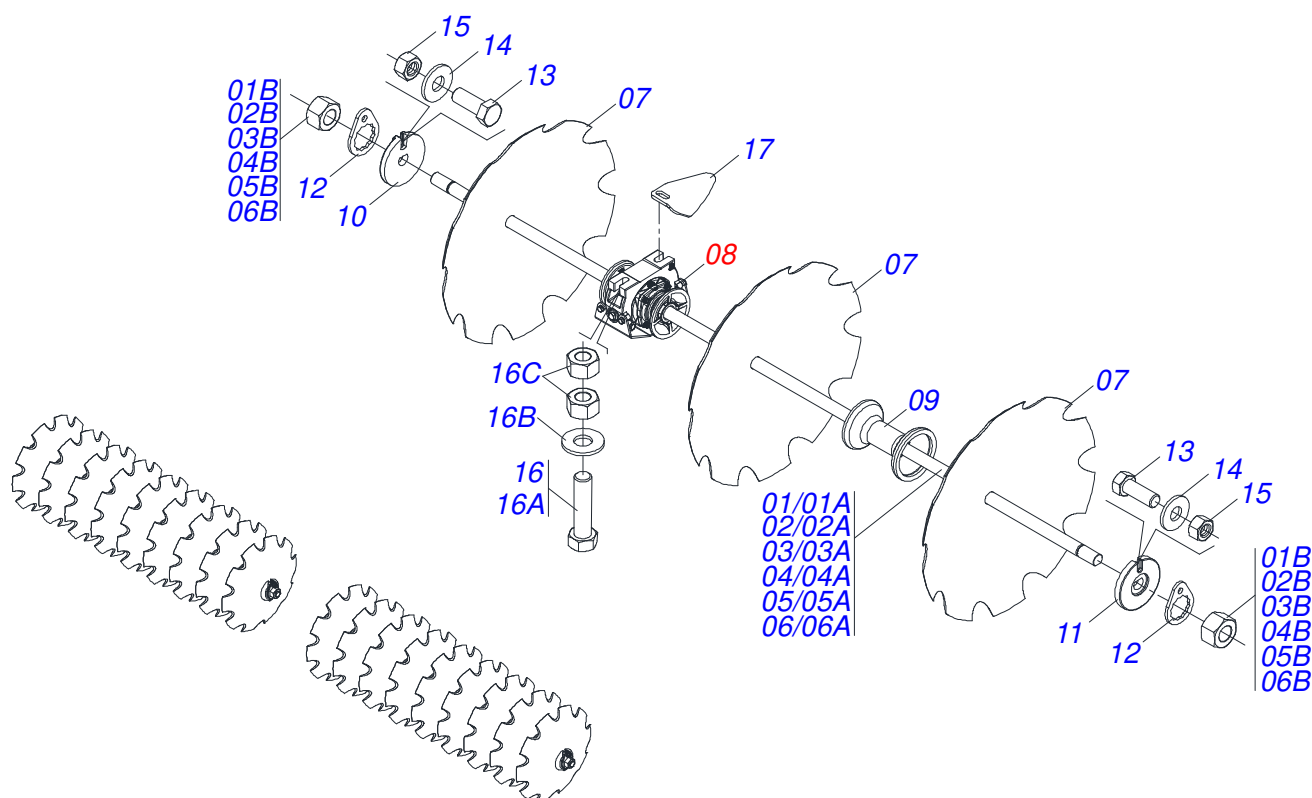


FRONT GANG DISC - 48/52/56/60/64D

0909096553

| Item | Code | Description | See page | 48 | 52 | 56 | 60 | 64 |
|------|------------|---------------|----------|----|----|----|----|----|
| 15C | 0503010013 | 5/8 NUT | | 24 | 24 | 24 | 24 | 24 |
| 16 | 0591015195 | FRONT SCRAPER | | 06 | 06 | 06 | 06 | 06 |

FRONT GANG DISC - 68/72/76/80/84D



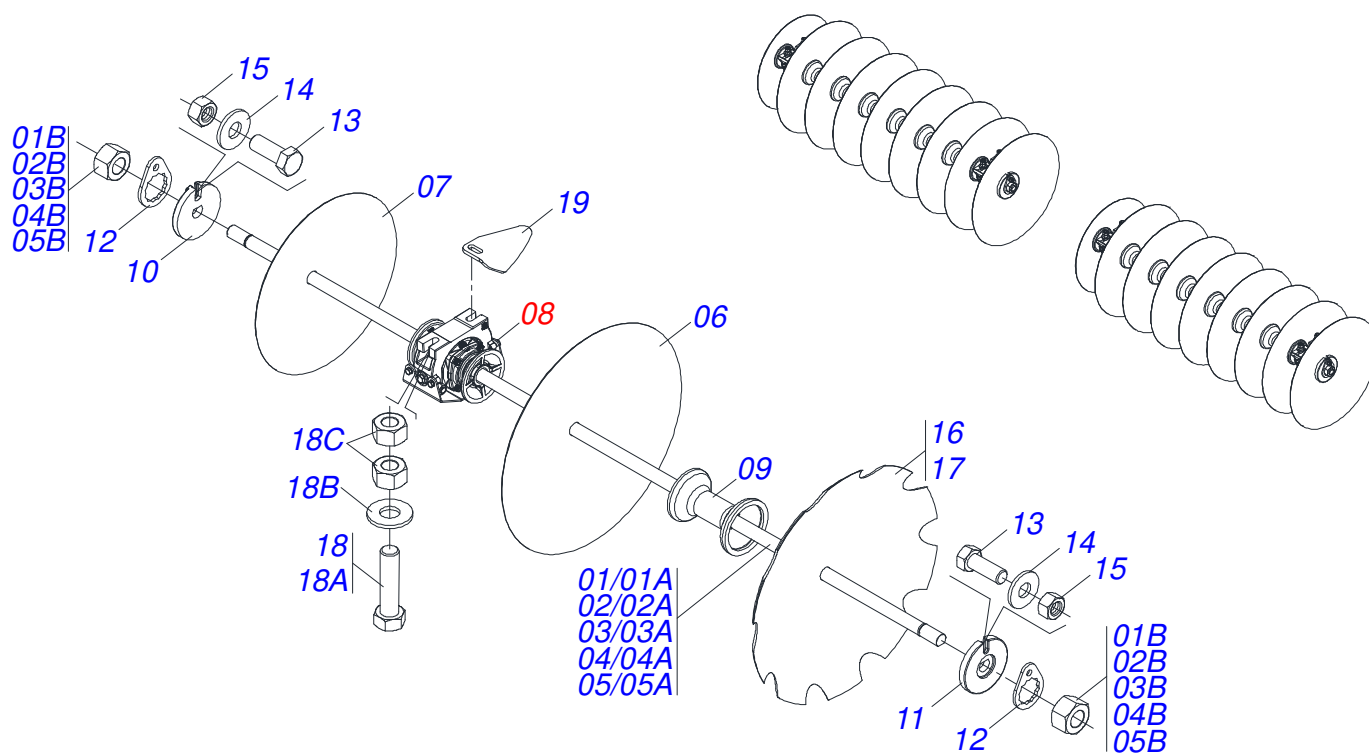
| Item | Code | Description | See page | 68 | 72 | 76 | 80 | 84 |
|--------|------------|----------------------------------|----------|----|----|----|----|----|
| 01 | 0531041855 | 1.1/2 6FPP X 3277 AXLE WITH NUTS | | 02 | 00 | 00 | 00 | 00 |
| 01A | 0501212047 | 1.1/2 6FPP X 3277 AXLE | | 02 | 00 | 00 | 00 | 00 |
| 01B | 0501810110 | 1.1/2 NC 6FPP NUT | | 04 | 00 | 00 | 00 | 00 |
| 02 | 0521059183 | 1.1/2 6FPP X 3470 AXLE WITH NUTS | | 00 | 02 | 00 | 00 | 00 |
| 02A | 0591015177 | 1.1/2 6FPP X 3277 AXLE | | 00 | 02 | 00 | 00 | 00 |
| 02B | 0501810110 | 1.1/2 NC 6FPP NUT | | 00 | 04 | 00 | 00 | 00 |
| 03 | 0501043697 | 1.1/2 6FPP X 1505 AXLE WITH NUTS | | 00 | 00 | 02 | 02 | 02 |
| 03A | 0511012601 | 1.1/2 6FPP X 1505 AXLE | | 00 | 00 | 02 | 02 | 02 |
| 03B | 0501810110 | 1.1/2 NC 6FPP NUT | | 00 | 00 | 04 | 04 | 04 |
| 04 | 0511049630 | 1.1/2 6FPP X 2095 AXLE WITH NUTS | | 00 | 00 | 02 | 00 | 00 |
| 04A | 0561019198 | 1.1/2 6FPP X 2095 AXLE | | 00 | 00 | 02 | 00 | 00 |
| 04B | 0501810110 | 1.1/2 NC 6FPP NUT | | 00 | 00 | 04 | 00 | 00 |
| 05 | 0521045341 | 1.1/2 6FPP X 2290 AXLE WITH NUTS | | 00 | 00 | 00 | 02 | 00 |
| 05A | 0511012017 | 1.1/2 6FPP X 2290 AXLE | | 00 | 00 | 00 | 02 | 00 |
| 05B | 0501810110 | 1.1/2 NC 6FPP NUT | | 00 | 00 | 00 | 04 | 00 |
| 06 | 0511054527 | 1.1/2 6FPP X 2490 AXLE WITH NUTS | | 00 | 00 | 00 | 00 | 02 |
| 06A | 0531019372 | 1.1/2 6FPP X 2490 AXLE | | 00 | 00 | 00 | 00 | 02 |
| 06B | 0501810110 | 1.1/2 NC 6FPP NUT | | 00 | 00 | 00 | 00 | 04 |
| 07 | 0602027341 | DR 20 X 3,5 C57AF02FR1.9/16 10R | | 34 | 36 | 38 | 40 | 42 |
| 07. | 0602027356 | DR 20 X 4,5 C57AF02FR1.9/16 10R | | 34 | 36 | 38 | 40 | 42 |
| 07.. | 0602029422 | DR 22 X 3,5 C64AF02FR1.9/16 10R | | 34 | 36 | 38 | 40 | 42 |
| 07... | 0602029416 | DR 22 X 4,5 C64AF02FR1.9/16 10R | | 34 | 36 | 38 | 40 | 42 |
| 07.... | 0602030429 | DR 24 X 4,5 C66AF02FR1.9/16 10R | | 34 | 36 | 38 | 40 | 42 |
| 08 | 0521047187 | BEARING | 57 | 06 | 06 | 10 | 10 | 10 |
| 09 | 0502010627 | SPACER | | 26 | 28 | 24 | 26 | 28 |
| 10 | 0502010871 | 1-1/2" EXTERNAL AXLE WASHER | | 02 | 02 | 04 | 04 | 04 |
| 11 | 0502010872 | 1-1/2" INNER AXLE WASHER | | 02 | 02 | 04 | 04 | 04 |
| 12 | 0501018592 | 1.5/8" NUT LOCK | | 04 | 04 | 08 | 08 | 08 |
| 13 | 0503011267 | 5/8 UNC X 1.1/2 C S G.5 ZN BOLT | | 04 | 04 | 08 | 08 | 08 |
| 14 | 0501012140 | FLAT WASHER | | 04 | 04 | 08 | 08 | 08 |
| 15 | 0503012412 | 5/8" UNC SELF LOCKING NUT | | 04 | 04 | 08 | 08 | 08 |



FRONT GANG DISC - 68/72/76/80/84D

0909096554

| Item | Code | Description | See page | 68 | 72 | 76 | 80 | 84 |
|------|------------|--------------------|----------|----|----|----|----|----|
| 16 | 0521059224 | SCREW ASSEMBLY | | 12 | 12 | 20 | 20 | 20 |
| 16A | 0501013233 | 5/8" X 2-3/4" BOLT | | 12 | 12 | 20 | 20 | 20 |
| 16B | 0501012140 | FLAT WASHER | | 12 | 12 | 20 | 20 | 20 |
| 16C | 0503010013 | 5/8 NUT | | 24 | 24 | 40 | 40 | 40 |
| 17 | 0591015195 | FRONT SCRAPER | | 06 | 06 | 10 | 10 | 10 |



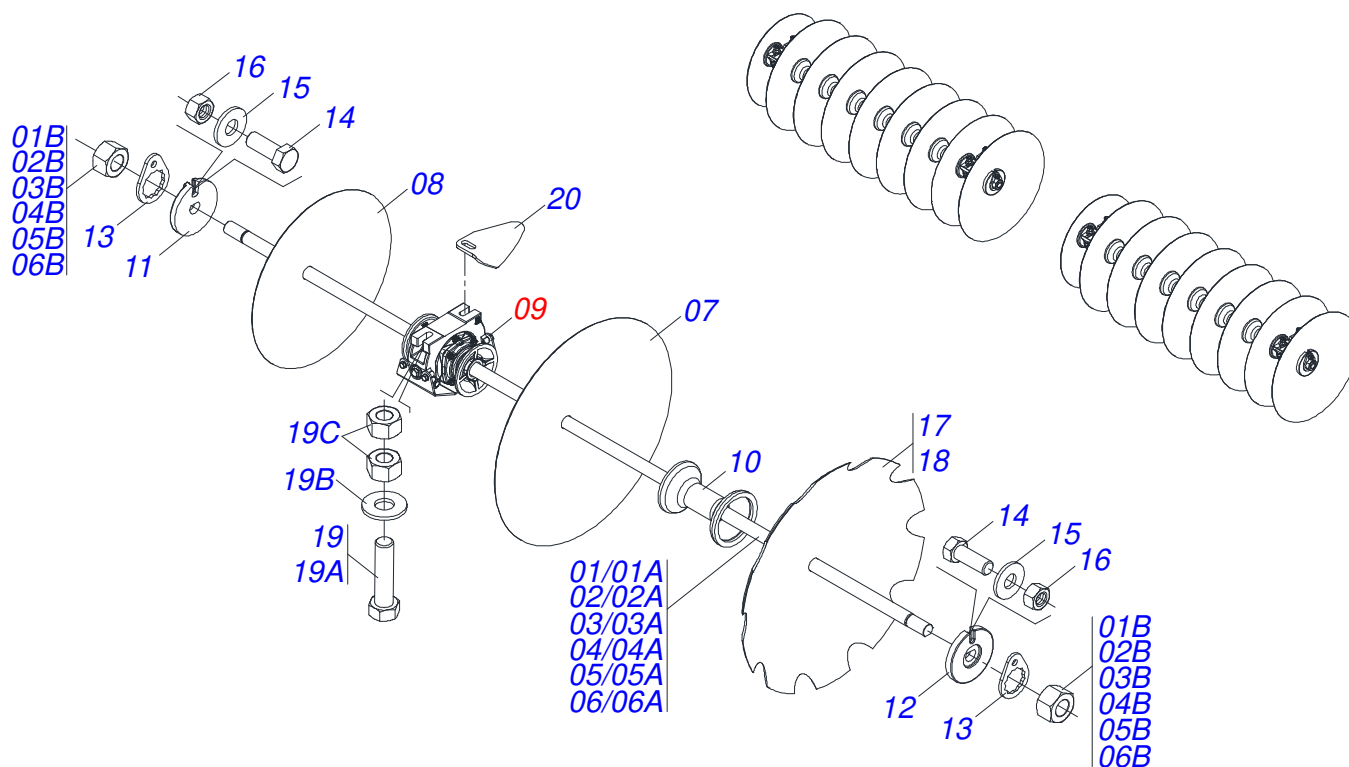
| Item | Code | Description | See page | 48 | 52 | 56 | 60 | 64 |
|---------|------------|------------------------------------|----------|----|----|----|----|----|
| 01 | 0521045341 | 1.1/2 6FPP X 2290 AXLE WITH NUTS | | 02 | 00 | 00 | 00 | 00 |
| 01A | 0511012017 | 1.1/2 6FPP X 2290 AXLE | | 02 | 00 | 00 | 00 | 00 |
| 01B | 0501810110 | 1.1/2 NC 6FPP NUT | | 04 | 00 | 00 | 00 | 00 |
| 02 | 0511054527 | 1.1/2 6FPP X 2490 AXLE WITH NUTS | | 00 | 02 | 00 | 00 | 00 |
| 02A | 0531019372 | 1.1/2 6FPP X 2490 AXLE | | 00 | 02 | 00 | 00 | 00 |
| 02B | 0501810110 | 1.1/2 NC 6FPP NUT | | 00 | 04 | 00 | 00 | 00 |
| 03 | 0511045023 | 1.1/2 6FPP X 2680 AXLE WITH NUTS | | 00 | 00 | 02 | 00 | 00 |
| 03A | 0551011002 | 1.1/2 6FPP X 2680 AXLE | | 00 | 00 | 02 | 00 | 00 |
| 03B | 0501810110 | 1.1/2 NC 6FPP NUT | | 00 | 00 | 04 | 00 | 00 |
| 04 | 0501059898 | 1.1/2 6FPP X 2880 AXLE WITH NUTS | | 00 | 00 | 00 | 02 | 00 |
| 04A | 0561016111 | 1.1/2 6FPP X 2880 AXLE | | 00 | 00 | 00 | 02 | 00 |
| 04B | 0501810110 | 1.1/2 NC 6FPP NUT | | 00 | 00 | 00 | 04 | 00 |
| 05 | 0531041856 | AXLE 1.1/2 UNC 6FPP 3080 WITH NUTS | | 00 | 00 | 00 | 00 | 02 |
| 05A | 0501212048 | AXLE 1.1/2 UNC 3080 | | 00 | 00 | 00 | 00 | 02 |
| 05B | 0501810110 | 1.1/2 NC 6FPP NUT | | 00 | 00 | 00 | 00 | 04 |
| 06 | 0601027302 | DL 20 X 3,5 C57AF02FR1.9/16 | | 22 | 24 | 26 | 28 | 30 |
| 06. | 0601027299 | DL 20 X 4,5 C57AF02FR1.9/16 | | 22 | 24 | 26 | 28 | 30 |
| 06.. | 0601029419 | DL 22 X 3,5 C64AF02FR1.9/16 | | 22 | 24 | 26 | 28 | 30 |
| 06... | 0601029413 | DL 22 X 4,5 C64AF02FR1.9/16 | | 22 | 24 | 26 | 28 | 30 |
| 06.... | 0601031134 | DL 24 X 4,5 C66AF02FR1.9/16 | | 22 | 24 | 26 | 28 | 30 |
| 07 | 0601025033 | DL 18 X 3,5 C45AF02FR1.9/16 | | 02 | 02 | 02 | 02 | 02 |
| 07. | 0601025099 | DL 18 X 4,5 C45AFPAFR1.9/16 | | 02 | 02 | 02 | 02 | 02 |
| 07.. | 0601027302 | DL 20 X 3,5 C57AF02FR1.9/16 | | 02 | 02 | 02 | 02 | 02 |
| 07... | 0601027299 | DL 20 X 4,5 C57AF02FR1.9/16 | | 02 | 02 | 02 | 02 | 02 |
| 07.... | 0601029419 | DL 22 X 3,5 C64AF02FR1.9/16 | | 02 | 02 | 02 | 02 | 02 |
| 07..... | 0601029413 | DL 22 X 4,5 C64AF02FR1.9/16 | | 02 | 02 | 02 | 02 | 02 |
| 07..... | 0601029414 | DL 22 X 4,5 C63AF02FR1.9/16 | | 02 | 02 | 02 | 02 | 02 |
| 08 | 0521047187 | BEARING | 57 | 06 | 06 | 06 | 06 | 06 |
| 09 | 0502010627 | SPACER | | 16 | 18 | 20 | 22 | 24 |
| 10 | 0502010871 | 1-1/2" EXTERNAL AXLE WASHER | | 02 | 02 | 02 | 02 | 02 |
| 11 | 0502010872 | 1-1/2" INNER AXLE WASHER | | 02 | 02 | 02 | 02 | 02 |



REAR GANG DISC - 48/52/56/60/64D

0909096555

| Item | Code | Description | See page | 48 | 52 | 56 | 60 | 64 |
|--------|------------|---------------------------------|----------|----|----|----|----|----|
| 12 | 0501018592 | 1.5/8" NUT LOCK | | 04 | 04 | 04 | 04 | 04 |
| 13 | 0503011267 | 5/8 UNC X 1.1/2 C S G.5 ZN BOLT | | 04 | 04 | 04 | 04 | 04 |
| 14 | 0501012140 | FLAT WASHER | | 04 | 04 | 04 | 04 | 04 |
| 15 | 0503012412 | 5/8" UNC SELF LOCKING NUT | | 04 | 04 | 04 | 04 | 04 |
| 16 | 0602027341 | DR 20 X 3,5 C57AF02FR1.9/16 10R | | 22 | 24 | 26 | 28 | 30 |
| 16. | 0602027356 | DR 20 X 4,5 C57AF02FR1.9/16 10R | | 22 | 24 | 26 | 28 | 30 |
| 16.. | 0602029422 | DR 22 X 3,5 C64AF02FR1.9/16 10R | | 22 | 24 | 26 | 28 | 30 |
| 16... | 0602029416 | DR 22 X 4,5 C64AF02FR1.9/16 10R | | 22 | 24 | 26 | 28 | 30 |
| 16.... | 0602030429 | DR 24 X 4,5 C66AF02FR1.9/16 10R | | 22 | 24 | 26 | 28 | 30 |
| 17 | 0602027341 | DR 20 X 3,5 C57AF02FR1.9/16 10R | | 02 | 02 | 02 | 02 | 02 |
| 17. | 0602027343 | DR 20 X 4,5 C57AF02FR1.9/16 10R | | 02 | 02 | 02 | 02 | 02 |
| 17.. | 0602027356 | DR 20 X 4,5 C57AF02FR1.9/16 10R | | 02 | 02 | 02 | 02 | 02 |
| 17... | 0602029416 | DR 22 X 4,5 C64AF02FR1.9/16 10R | | 02 | 02 | 02 | 02 | 02 |
| 18 | 0521059224 | SCREW ASSEMBLY | | 12 | 12 | 12 | 12 | 12 |
| 18A | 0501013233 | 5/8" X 2-3/4" BOLT | | 12 | 12 | 12 | 12 | 12 |
| 18B | 0501012140 | FLAT WASHER | | 12 | 12 | 12 | 12 | 12 |
| 18C | 0503010013 | 5/8 NUT | | 24 | 24 | 24 | 24 | 24 |
| 19 | 0591015196 | REAR SCRAPER | | 06 | 06 | 06 | 06 | 06 |



| Item | Code | Description | See page | 68 | 72 | 76 | 80 | 84 |
|---------|------------|----------------------------------|----------|----|----|----|----|----|
| 01 | 0531041855 | 1.1/2 6FPP X 3277 AXLE WITH NUTS | | 02 | 00 | 00 | 00 | 00 |
| 01A | 0501212047 | 1.1/2 6FPP X 3277 AXLE | | 02 | 00 | 00 | 00 | 00 |
| 01B | 0501810110 | 1.1/2 NC 6FPP NUT | | 04 | 00 | 00 | 00 | 00 |
| 02 | 0521059183 | 1.1/2 6FPP X 3470 AXLE WITH NUTS | | 00 | 02 | 00 | 00 | 00 |
| 02A | 0591015177 | 1.1/2 6FPP X 3277 AXLE | | 00 | 02 | 00 | 00 | 00 |
| 02B | 0501810110 | 1.1/2 NC 6FPP NUT | | 00 | 04 | 00 | 00 | 00 |
| 03 | 0501043697 | 1.1/2 6FPP X 1505 AXLE WITH NUTS | | 00 | 00 | 02 | 02 | 02 |
| 03A | 0511012601 | 1.1/2 6FPP X 1505 AXLE | | 00 | 00 | 02 | 02 | 02 |
| 03B | 0501810110 | 1.1/2 NC 6FPP NUT | | 00 | 00 | 04 | 04 | 04 |
| 04 | 0511049630 | 1.1/2 6FPP X 2095 AXLE WITH NUTS | | 00 | 00 | 02 | 00 | 00 |
| 04A | 0561019198 | 1.1/2 6FPP X 2095 AXLE | | 00 | 00 | 02 | 00 | 00 |
| 04B | 0501810110 | 1.1/2 NC 6FPP NUT | | 00 | 00 | 04 | 00 | 00 |
| 05 | 0521045341 | 1.1/2 6FPP X 2290 AXLE WITH NUTS | | 00 | 00 | 00 | 02 | 00 |
| 05A | 0511012017 | 1.1/2 6FPP X 2290 AXLE | | 00 | 00 | 00 | 02 | 00 |
| 05B | 0501810110 | 1.1/2 NC 6FPP NUT | | 00 | 00 | 00 | 04 | 00 |
| 06 | 0511054527 | 1.1/2 6FPP X 2490 AXLE WITH NUTS | | 00 | 00 | 00 | 00 | 02 |
| 06A | 0531019372 | 1.1/2 6FPP X 2490 AXLE | | 00 | 00 | 00 | 00 | 02 |
| 06B | 0501810110 | 1.1/2 NC 6FPP NUT | | 00 | 00 | 00 | 00 | 04 |
| 07 | 0601027302 | DL 20 X 3,5 C57AF02FR1.9/16 | | 32 | 34 | 36 | 38 | 40 |
| 07. | 0601027299 | DL 20 X 4,5 C57AF02FR1.9/16 | | 32 | 34 | 36 | 38 | 40 |
| 07.. | 0601029419 | DL 22 X 3,5 C64AF02FR1.9/16 | | 32 | 34 | 36 | 38 | 40 |
| 07... | 0601029404 | DL 22 X 3,5 C64AF02FR1.9/16 | | 32 | 34 | 36 | 38 | 40 |
| 07.... | 0601029413 | DL 22 X 4,5 C64AF02FR1.9/16 | | 32 | 34 | 36 | 38 | 40 |
| 07..... | 0601031134 | DL 24 X 4,5 C66AF02FR1.9/16 | | 32 | 34 | 36 | 38 | 40 |
| 08 | 0601025033 | DL 18 X 3,5 C45AF02FR1.9/16 | | 02 | 02 | 02 | 02 | 02 |
| 08. | 0601025099 | DL 18 X 4,5 C45AFPAFR1.9/16 | | 02 | 02 | 02 | 02 | 02 |
| 08.. | 0601027302 | DL 20 X 3,5 C57AF02FR1.9/16 | | 02 | 02 | 02 | 02 | 02 |
| 08... | 0601027300 | DL 20 X 3,5 C57AF02FR1.9/16 | | 02 | 02 | 02 | 02 | 02 |
| 08.... | 0601027299 | DL 20 X 4,5 C57AF02FR1.9/16 | | 02 | 02 | 02 | 02 | 02 |
| 08..... | 0601029419 | DL 22 X 3,5 C64AF02FR1.9/16 | | 02 | 02 | 02 | 02 | 02 |
| 08..... | 0601029413 | DL 22 X 4,5 C64AF02FR1.9/16 | | 02 | 02 | 02 | 02 | 02 |

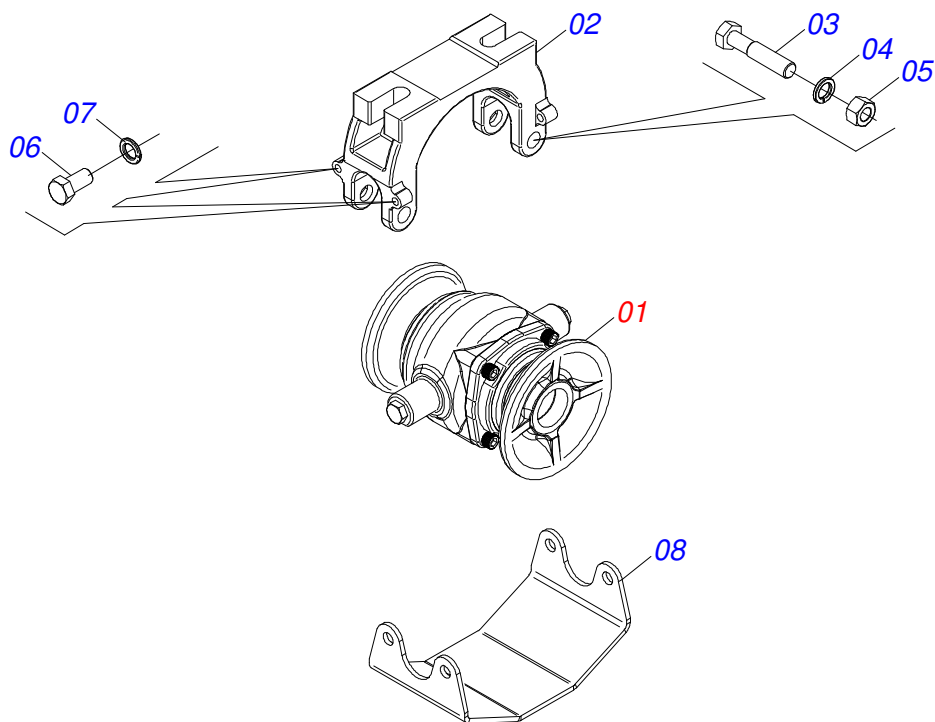


REAR GANG DISC - 68/72/76/80/84D

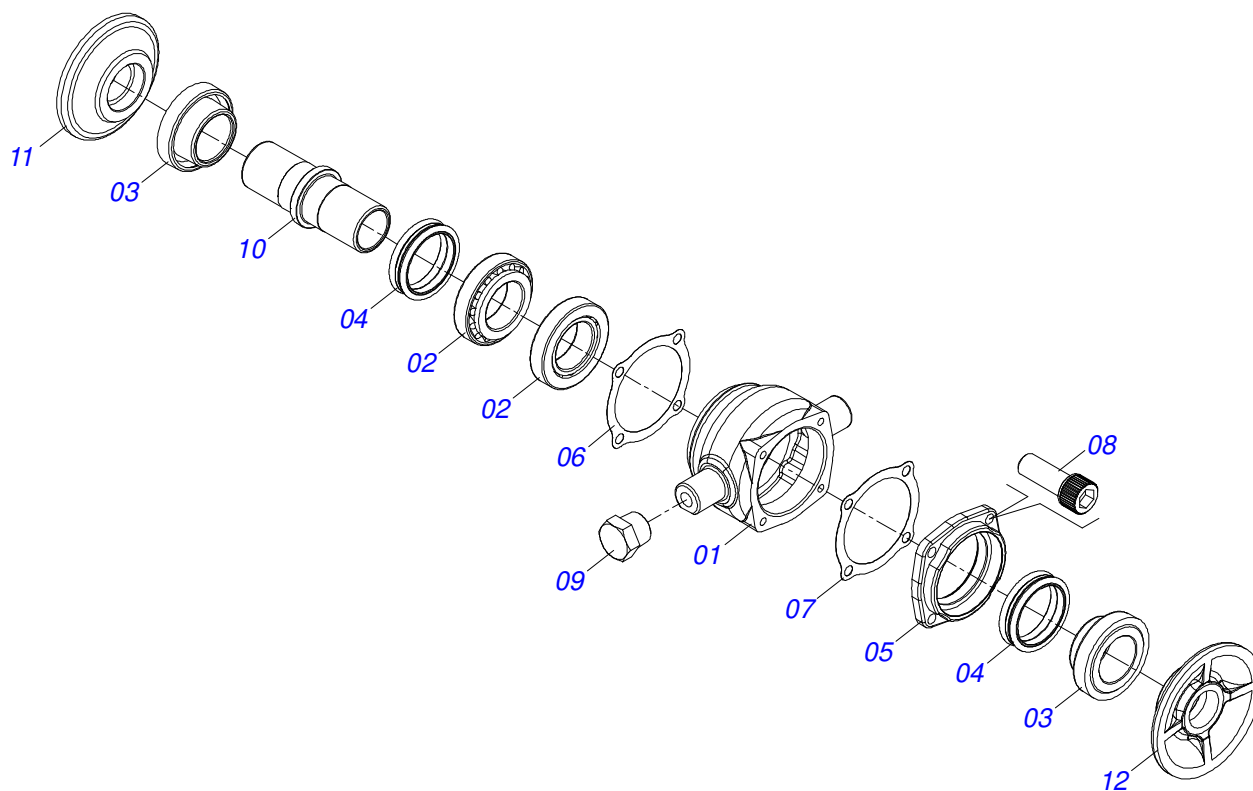
0909096556

| Item | Code | Description | See page | 68 | 72 | 76 | 80 | 84 |
|---------|------------|--|----------|----|----|----|----|----|
| 08..... | 0601029414 | DL 22 X 4,5 C63AF02FR1.9/16 | | 02 | 02 | 02 | 02 | 02 |
| 09 | 0521047187 | BEARING | 57 | 06 | 06 | 10 | 10 | 10 |
| 10 | 0502010627 | SPACER | | 26 | 28 | 24 | 26 | 28 |
| 11 | 0502010871 | 1-1/2" EXTERNAL AXLE WASHER | | 02 | 02 | 04 | 04 | 04 |
| 12 | 0502010872 | 1-1/2" INNER AXLE WASHER | | 02 | 02 | 04 | 04 | 04 |
| 13 | 0501018592 | 1.5/8" NUT LOCK | | 04 | 04 | 08 | 08 | 08 |
| 14 | 0503011267 | 5/8 UNC X 1.1/2 C S G.5 ZN BOLT | | 04 | 04 | 08 | 08 | 08 |
| 15 | 0501012140 | FLAT WASHER | | 04 | 04 | 08 | 08 | 08 |
| 16 | 0503012412 | 5/8" UNC SELF LOCKING NUT | | 04 | 04 | 08 | 08 | 08 |
| 17 | 0602027341 | DR 20 X 3,5 C57AF02FR1.9/16 10R | | 32 | 34 | 36 | 38 | 40 |
| 17. | 0602027356 | DR 20 X 4,5 C57AF02FR1.9/16 10R | | 32 | 34 | 36 | 38 | 40 |
| 17.. | 0602029422 | DR 22 X 3,5 C64AF02FR1.9/16 10R | | 32 | 34 | 36 | 38 | 40 |
| 17... | 0602029416 | DR 22 X 4,5 C64AF02FR1.9/16 10R | | 32 | 34 | 36 | 38 | 40 |
| 17.... | 0602030429 | DR 24 X 4,5 C66AF02FR1.9/16 10R | | 32 | 34 | 36 | 38 | 40 |
| 18 | 0602027341 | DR 20 X 3,5 C57AF02FR1.9/16 10R | | 02 | 02 | 02 | 02 | 02 |
| 18. | 0602027119 | DR 20 X 4,5 C57AF02FR1.9/16 10R (D006) | | 02 | 02 | 02 | 02 | 02 |
| 18.. | 0602027343 | DR 20 X 4,5 C57AF02FR1.9/16 10R | | 02 | 02 | 02 | 02 | 02 |
| 18... | 0602027356 | DR 20 X 4,5 C57AF02FR1.9/16 10R | | 02 | 02 | 02 | 02 | 02 |
| 18.... | 0602029416 | DR 22 X 4,5 C64AF02FR1.9/16 10R | | 02 | 02 | 02 | 02 | 02 |
| 19 | 0521059224 | SCREW ASSEMBLY | | 12 | 12 | 20 | 20 | 20 |
| 19A | 0501013233 | 5/8" X 2-3/4" BOLT | | 12 | 12 | 20 | 20 | 20 |
| 19B | 0501012140 | FLAT WASHER | | 12 | 12 | 20 | 20 | 20 |
| 19C | 0503010013 | 5/8 NUT | | 24 | 24 | 40 | 40 | 40 |
| 20 | 0591015196 | REAR SCRAPER | | 06 | 06 | 10 | 10 | 10 |

BEARING



| Item | Code | Description | See page | QT |
|------|------------|---------------------------------------|----------|----|
| 01 | 0521050840 | SWIVEL OIL BATH BEARING 192,5 X 1.1/2 | 58 | 01 |
| 02 | 0502012854 | BEARING SUPPORT | | 01 |
| 03 | 0501011541 | 5/8" X 3" BOLT | | 02 |
| 04 | 0503010027 | 5/8 SPRING WASHER | | 02 |
| 05 | 0503010013 | 5/8 NUT | | 02 |
| 06 | 0503011334 | BOLT 3/8 UNC X 3/4 CS G.5 ZN | | 04 |
| 07 | 0503010025 | 3/8 SPRING WASHER | | 04 |
| 08 | 0581014143 | SWIVEL OIL BATH BEARING WEAR PLATE | | 01 |



| Item | Code | Description | See page | QT |
|------|------------|----------------------------|----------|---------|
| 01 | 0502012839 | BEARING HOUSING | | 01 |
| 02 | 0503010006 | 32210 ROLLER BEARING | | 02 |
| 03 | 0502010541 | SEAL RETAINER | | 02 |
| 04 | 0503030026 | SEAL LP JB-253 | | 02 |
| 05 | 0502020424 | HOUSING CAP | | 01 |
| 06 | 0503030013 | 4.4" X 3.5" X 0.004" JOINT | | 02 |
| 07 | 0503030684 | 4.4" X 3.5" X 0.004" JOINT | | 01 |
| 08 | 0503010134 | 3/8" X 1" BOLT | | 04 |
| 09 | 0503010856 | OIL PLUG | | 02 |
| 10 | 0502040061 | AXLE | | 01 |
| 11 | 0502010605 | INNER FLANGE | | 01 |
| 12 | 0502010604 | OUTER FLANGE | | 01 |
| 13 | 3402301247 | MINERAL OIL GREASE | | 0,13Lts |



MARCHESAN

Technical Publications | Elaboration and Revision

LEONARDO JOSÉ DA SILVA SOUZA

www.marchesan.com.br

