

HINGE TYPE OFFSET DISK HARROW

**GNF 48/52/56/60/64/68/72/76/80/84D - PA -
1.1/2" AXLE**

Code: 0501093355
Series: S-0222
Revision: 00
Date Revision: NOVEMBRO/2022

PARTS CATALOGUE



MARCHESAN



PRODUCTS

Code	Description
0102180334	GNF 48 X 20 X 3,50 MT DMO PA E 1.1/2 S-0222
0102180333	GNF 48 X 20 X 4,50 MT DMO PA E 1.1/2 S-0222
0102180330	GNF 48 X 22 X 3,50 DR DMO PA E 1.1/2 S-0222
0102180335	GNF 48 X 22 X 3,50 MT DMO PA E 1.1/2 S-0222
0102180329	GNF 48 X 22 X 4,50 DR DMO PA E 1.1/2 S-0222
0102180332	GNF 48 X 22 X 4,50 MT DMO PA E 1.1/2 S-0222
0102180331	GNF 48 X 24 X 4,50 MT DMO PA E 1.1/2 S-0222
0102180350	GNF 52 X 20 X 3,50 MT DMO PA E 1.1/2 S-0222
0102180349	GNF 52 X 20 X 4,50 MT DMO PA E 1.1/2 S-0222
0102180348	GNF 52 X 22 X 3,50 MT DMO PA E 1.1/2 S-0222
0102180347	GNF 52 X 22 X 4,50 MT DMO PA E 1.1/2 S-0222
0102180346	GNF 52 X 24 X 4,50 MT DMO PA E 1.1/2 S-0222
0102180345	GNF 56 X 20 X 3,50 MT DMO PA E 1.1/2 S-0222
0102180344	GNF 56 X 20 X 4,50 MT DMO PA E 1.1/2 S-0222
0102180341	GNF 56 X 22 X 3,50 MT DMO PA E 1.1/2 S-0222
0102180342	GNF 56 X 22 X 4,50 MT DMO PA E 1.1/2 S-0222
0102180343	GNF 56 X 24 X 4,50 MT DMO PA E 1.1/2 S-0222
0102180324	GNF 60 X 20 X 3,50 MT DMO PA E 1.1/2 S-0222
0102180325	GNF 60 X 20 X 4,50 MT DMO PA E 1.1/2 S-0222
0102180326	GNF 60 X 22 X 3,50 MT DMO PA E 1.1/2 S-0222
0102180327	GNF 60 X 22 X 4,50 MT DMO PA E 1.1/2 S-0222
0102180328	GNF 60 X 24 X 4,50 MT DMO PA E 1.1/2 S-0222
0102180340	GNF 64 X 20 X 3,50 MT DMO PA E 1.1/2 S-0222
0102180339	GNF 64 X 20 X 4,50 MT DMO PA E 1.1/2 S-0222
0102180338	GNF 64 X 22 X 3,50 MT DMO PA E 1.1/2 S-0222
0102180337	GNF 64 X 22 X 4,50 MT DMO PA E 1.1/2 S-0222
0102180336	GNF 64 X 24 X 4,50 MT DMO PA E 1.1/2 S-0222
0102180323	GNF 68 X 20 X 3,50 MT DMO PA E 1.1/2 S-0222
0102180322	GNF 68 X 20 X 4,50 MT DMO PA E 1.1/2 S-0222
0102180321	GNF 68 X 22 X 3,50 MT DMO PA E 1.1/2 S-0222

ATTENTION: IMPORTANT

Marchesan S.A. reserves the right to improve and/or modify the technical features of its products, without obligation to do the same with those products already sold and without prior knowledge of the dealer or the customer. The photos are only illustrative.



PRODUCTS

0102180320	GNF 68 X 22 X 4,50 MT DMO PA E 1.1/2 S-0222
0102180319	GNF 68 X 24 X 4,50 MT DMO PA E 1.1/2 S-0222
0102180314	GNF 72 X 20 X 3,50 MT DMO PA E 1.1/2 S-0222
0102180318	GNF 72 X 20 X 4,50 MT DMO PA E 1.1/2 S-0222
0102180317	GNF 72 X 22 X 3,50 MT DMO PA E 1.1/2 S-0222
0102180316	GNF 72 X 22 X 4,50 MT DMO PA E 1.1/2 S-0222
0102180315	GNF 72 X 24 X 4,50 MT DMO PA E 1.1/2 S-0222
0102180361	GNF 76 X 20 X 3,50 MT DMO PA E 1.1/2 S-0222
0102180362	GNF 76 X 20 X 4,50 MT DMO PA E 1.1/2 S-0222
0102180363	GNF 76 X 22 X 3,50 MT DMO PA E 1.1/2 S-0222
0102180364	GNF 76 X 22 X 4,50 MT DMO PA E 1.1/2 S-0222
0102180365	GNF 76 X 24 X 4,50 MT DMO PA E 1.1/2 S-0222
0102180360	GNF 80 X 20 X 3,50 MT DMO PA E 1.1/2 S-0222
0102180359	GNF 80 X 20 X 4,50 MT DMO PA E 1.1/2 S-0222
0102180358	GNF 80 X 22 X 3,50 MT DMO PA E 1.1/2 S-0222
0102180357	GNF 80 X 22 X 4,50 MT DMO PA E 1.1/2 S-0222
0102180356	GNF 80 X 24 X 4,50 MT DMO PA E 1.1/2 S-0222
0102180354	GNF 84 X 20 X 3,50 MT DMO PA E 1.1/2 S-0222
0102180355	GNF 84 X 20 X 4,50 MT DMO PA E 1.1/2 S-0222
0102180353	GNF 84 X 22 X 3,50 MT DMO PA E 1.1/2 S-0222
0102180352	GNF 84 X 22 X 4,50 MT DMO PA E 1.1/2 S-0222
0102180351	GNF 84 X 24 X 4,50 MT DMO PA E 1.1/2 S-0222

ATTENTION: IMPORTANT

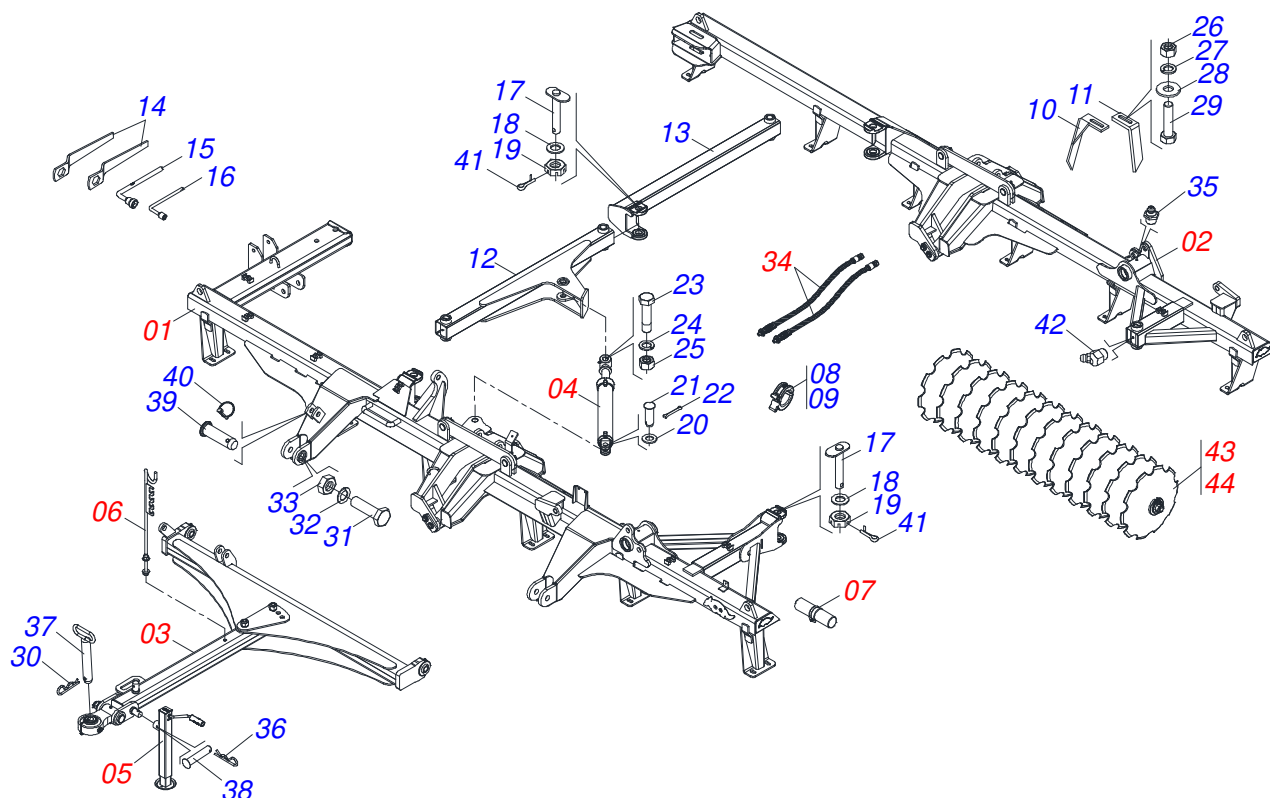
Marchesan S.A. reserves the right to improve and/or modify the technical features of its products, without obligation to do the same with those products already sold and without prior knowledge of the dealer or the customer. The photos are only illustrative.



MARCHESAN

INDEX

0909096586	FRAME ASSY 48D	1
0531053693	FRONT SEMI-ASSEMBLED FRAME - 48D	2
0531053695	REAR SEMI-ASSEMBLED FRAME - 48D	3
0909096587	FRAME ASSY 52/56/60D	4
0531053697	FRONT SEMI-ASSEMBLED FRAME - 52D	5
0531053701	FRONT SEMI-ASSEMBLED FRAME - 56D	6
0531053709	FRONT SEMI-ASSEMBLED FRAME - 60D	7
0531053699	REAR SEMI-ASSEMBLED FRAME - 52D	8
0531053703	REAR SEMI-ASSEMBLED FRAME - 56D	9
0531053711	REAR SEMI-ASSEMBLED FRAME - 60D	10
0909096588	FRAME ASSY 64/68/72D	11
0531053731	FRONT SEMI-ASSEMBLED FRAME - 64D	12
0531053727	FRONT SEMI-ASSEMBLED FRAME - 68D	13
0531053723	FRONT SEMI-ASSEMBLED FRAME - 72D	14
0531053733	REAR SEMI-ASSEMBLED FRAME - 64D	15
0531053729	REAR SEMI-ASSEMBLED FRAME - 68D	16
0531053725	REAR SEMI-ASSEMBLED FRAME - 72D	17
0909096589	FRAME ASSY 76/80/84D	18
0531053713	FRONT SEMI-ASSEMBLED FRAME - 76D	19
0531053717	FRONT SEMI-ASSEMBLED FRAME - 80D	20
0531053721	FRONT SEMI-ASSEMBLED FRAME - 84D	21
0531053715	REAR SEMI-ASSEMBLED FRAME - 76D	22
0531053719	REAR SEMI-ASSEMBLED FRAME - 80D	23
0531053722	REAR SEMI-ASSEMBLED FRAME - 84D	24
0521048204	DRAWBAR ASSY 36 A 48D	25
0521044870	DRAWBAR ASSY	26
0501044359	ASSY TRACTION BAR	27
0521053943	HITCH WITH ASSY ROTULA SUPPORT	28
0521048502	ASSY TRACTION BAR	29
0521057520	HITCH ASSY	30
0511058461	HYDRAULIC CYLINDER	31
0503062157	DRAWBAR JACK	32
0501040257	ASSY 3/4 X 38 HOSE SUPPORT	33
0531058155	INSTRUCTION MANUAL CANISTER	34
0521053412	HOSE KIT	35
0501053834	MALE QUICK COUPLER	36
0909096553	FRONT GANG DISC - 48/52/56/60/64D	37
0909096554	FRONT GANG DISC - 68/72/76/80/84D	38
0909096555	REAR GANG DISC - 48/52/56/60/64D	39
0909096556	REAR GANG DISC - 68/72/76/80/84D	40
0521047187	BEARING	41
0521050840	SWIVEL OIL BATH BEARING 192,5 X 1.1/2	42



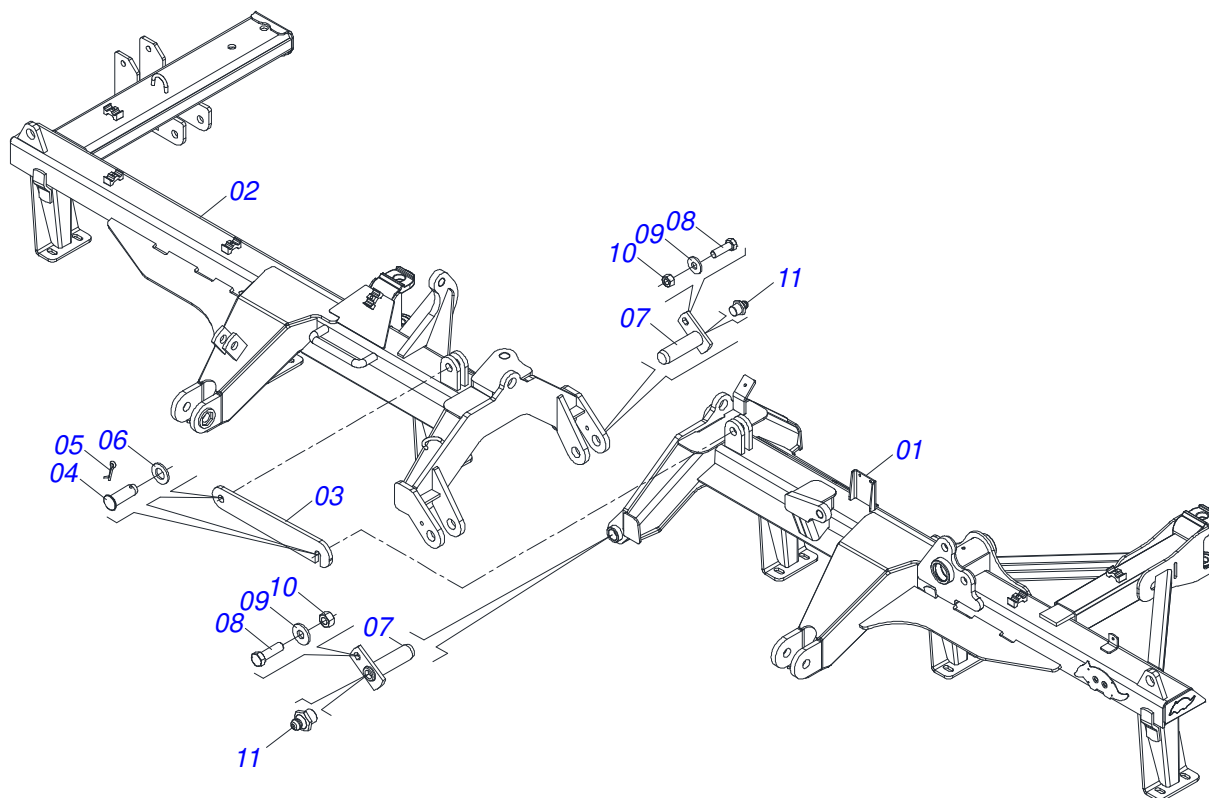
Item	Code	Description	See page	QT
01	0531053693	FRONT SEMI-ASSEMBLED FRAME - 48D	2	01
02	0531053695	REAR SEMI-ASSEMBLED FRAME - 48D	3	01
03	0521048204	DRAWBAR ASSY 36 A 48D	25	01
04	0511058461	HYDRAULIC CYLINDER	31	01
05	0503062157	DRAWBAR JACK	32	01
06	0501040257	ASSY 3/4 X 38 HOSE SUPPORT	33	01
07	0531058155	INSTRUCTION MANUAL CANISTER	34	01
08	0501047895	25 ROD STOP		06
09	0501047885	30 ROD STOP		04
10	0501063963	FRONT SCRAPER		17
11	0501063962	REAR SCRAPER		17
12	0521068803	FRONT STABILIZER BAR		01
13	0521068804	REAR STABILIZER BAR		01
14	0501011432	1-1/2" AND 1-5/8 GANG BOLT WRENCH		02
15	0501061617	1" GANG BOLT WRENCH		01
16	0501068273	5/8" WRENCH		01
17	0531019497	1.5" X 9.2" ARTICULATED AXIS		04
18	0531019540	FLAT WASHER		04
19	0501011301	1.1/2 UNC 6FPP 2.5/16 NUT		06
20	0501017779	32 X 60 X 4.75 FLAT WASHER		01
21	0521010779	31.75 X 95 COUPLING SHAFT		01
22	0503010523	1/4" X 2" SPLIT PIN		01
23	0501011106	1-1/4" X 7" SCREW		01
24	0503010070	SPRING WASHER		01
25	0501010087	1.1/4" NUT		01
26	0503010060	1/2 UNC G.5 ZN HEX NUT		60
27	0503010019	1/2" SPRING WASHER		60
28	0511017302	FLAT WASHER 13,50 X 32,50 X 3,0 ZN		68
29	0503011082	C1/2" X 1.3/4" SCREW		68
30	0503031035	HITCH PIN CLIP		01
31	0501010426	1-1/4" X 6" SCREW		02



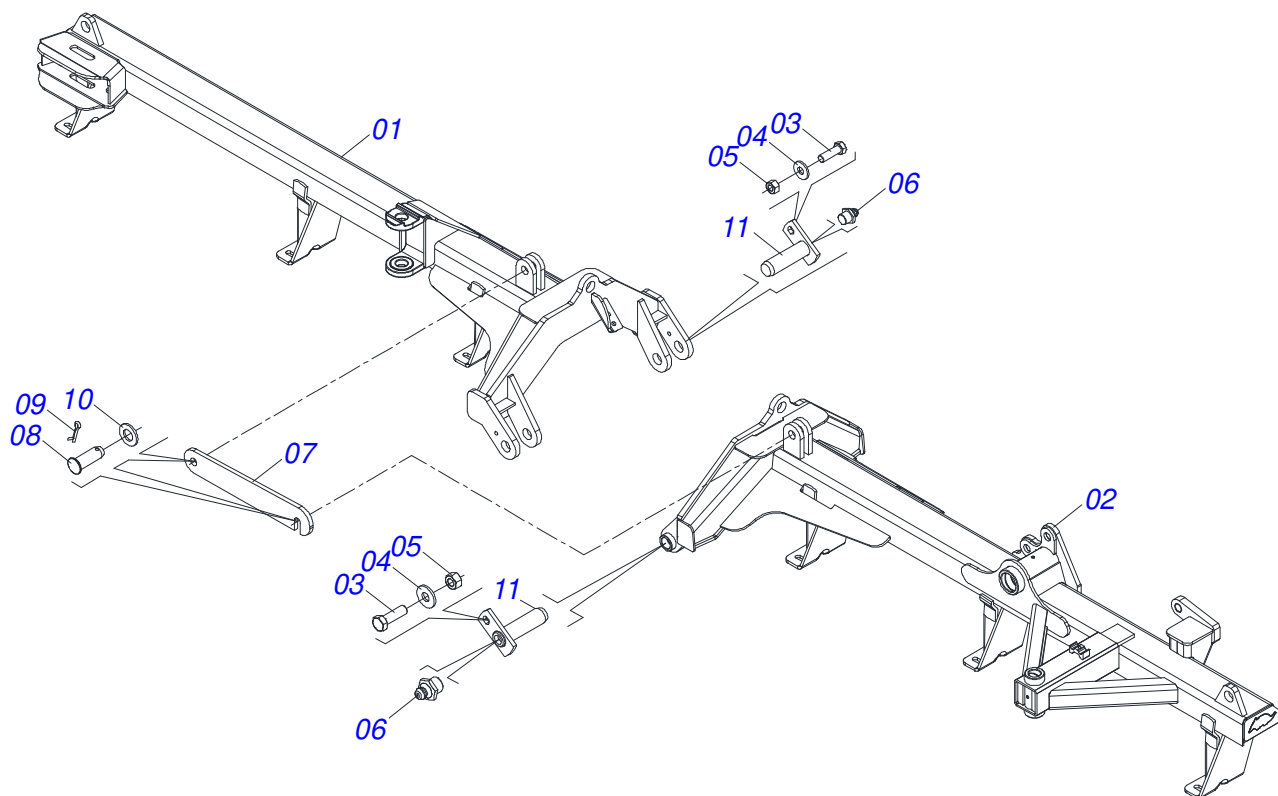
FRAME ASSY 48D

0909096586

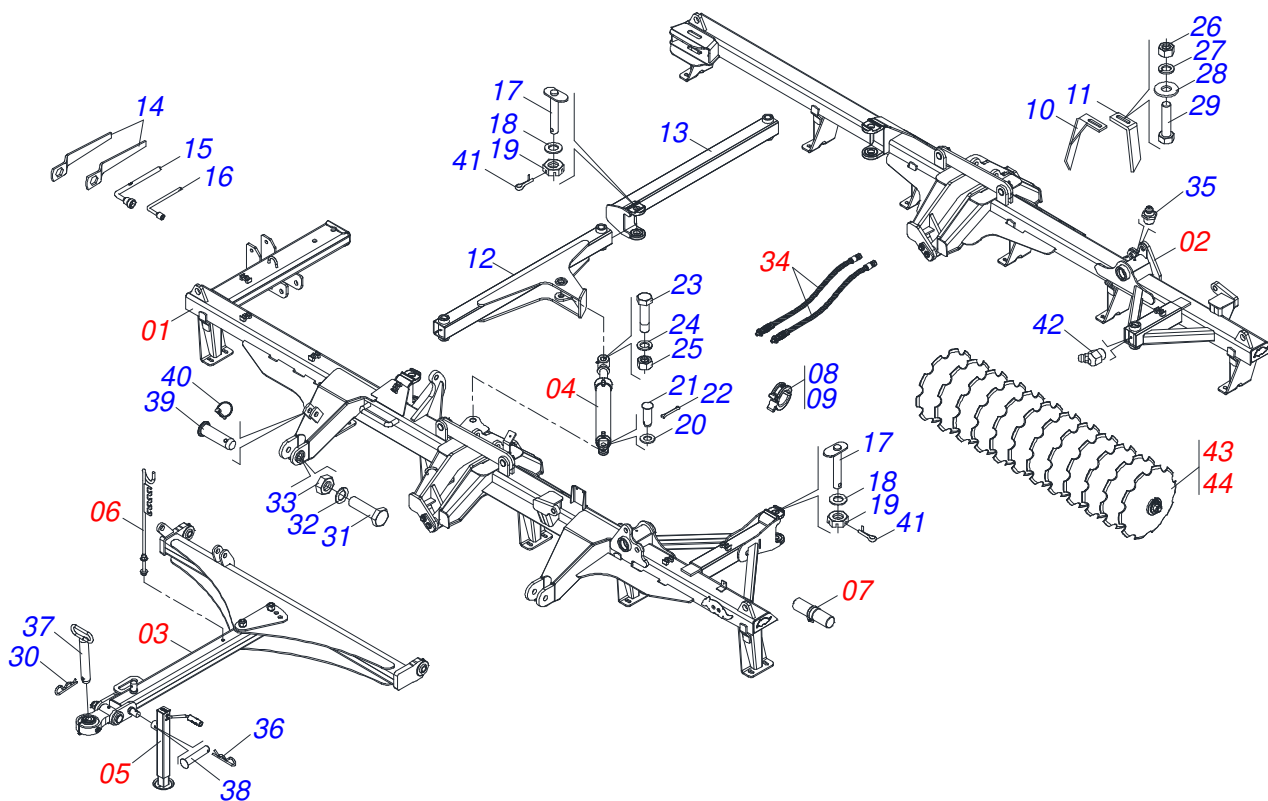
Item	Code	Description	See page	QT
32	0503010070	SPRING WASHER		02
33	0501010087	1.1/4" NUT		02
34	0521053412	HOSE KIT	35	01
34.	0501053834	MALE QUICK COUPLER	36	02
35	0503010002	1800 GREASE FITTING		05
36	0503030168	HITCH PIN CLIP		01
37	0501069080	COUPLING SHAFT		01
38	0521010549	COUPLING SHAFT		01
39	0501019002	JUNCTION SHAFT		01
40	0503030085	LOCK PIN		01
41	0503010010	1/4" X 2.1/2" COTTERPIN		04
42	0503010003	1845 GREASE FITTING		02
43	0909096553	FRONT GANG DISC - 48/52/56/60/64D	37	01
44	0909096555	REAR GANG DISC - 48/52/56/60/64D	39	01



Item	Code	Description	See page	QT
01	0531063278	LEFT FRONT FRAME	01	01
02	0531063276	RIGHT FRONT FRAME	01	01
03	0501018941	TRANSPORT LOCK	01	01
04	0521010592	1.1" X 3.1" COUPLING SHAFT	02	02
05	0503010571	1/4" X 1.1/2 COTTERPIN	02	02
06	0511017480	FLAT WASHER	02	02
07	0501063751	1.5" X 5.5" PIVOT SHAFT	02	02
08	0501010100	SCREW 5/8 UNC X 2 CS G.5 ZN	02	02
09	0501012140	FLAT WASHER	02	02
10	0503010013	5/8 NUT	02	02
11	0503010002	1800 GREASE FITTING	02	02



Item	Code	Description	See page	QT
01	0531063280	RIGHT REAR FRAME		01
02	0531063282	LEFT REAR FRAME		01
03	0501010100	SCREW 5/8 UNC X 2 CS G.5 ZN		02
04	0501012140	FLAT WASHER		02
05	0503010013	5/8 NUT		02
06	0503010002	1800 GREASE FITTING		02
07	0501018941	TRANSPORT LOCK		01
08	0521010592	1.1" X 3.1" COUPLING SHAFT		02
09	0503010571	1/4" X 1.1/2 COTTERPIN		02
10	0511017480	FLAT WASHER		02
11	0501063751	1.5" X 5.5" PIVOT SHAFT		02



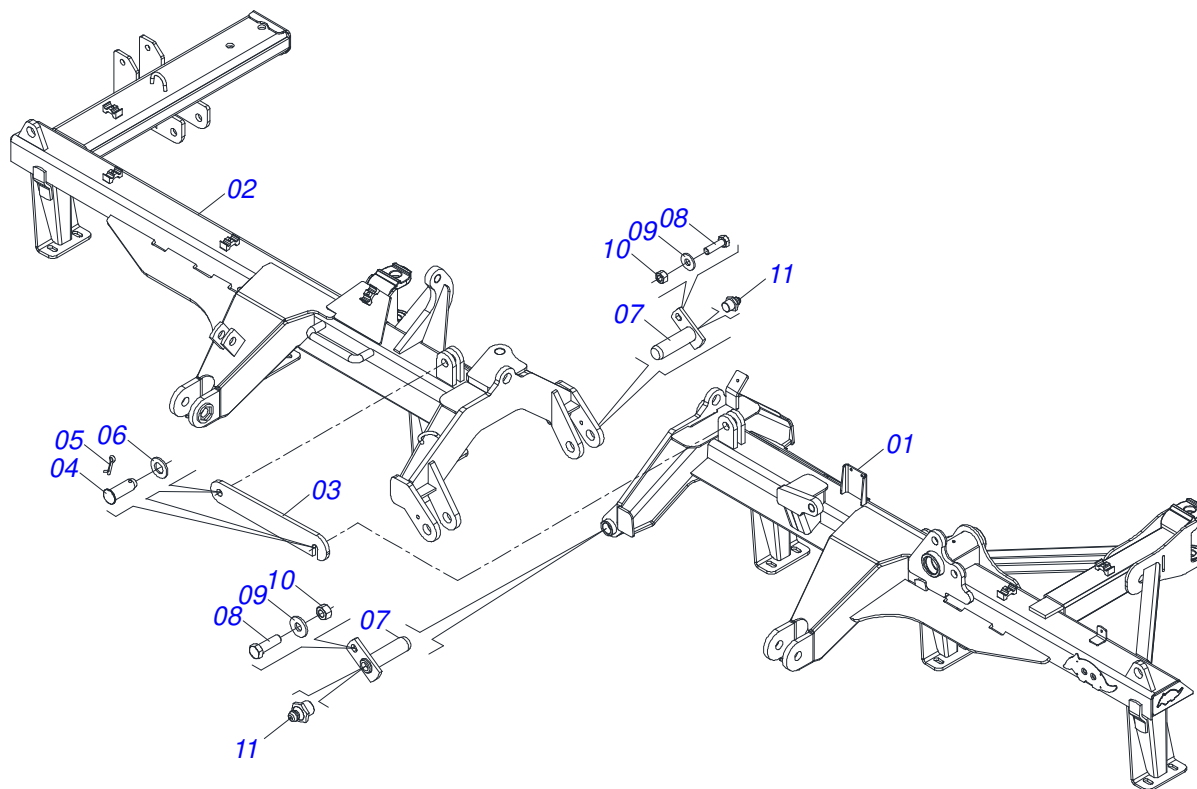
Item	Code	Description	See page	52	56	60
01	0531053697	FRONT SEMI-ASSEMBLED FRAME - 52D	5	01	00	00
01.	0531053701	FRONT SEMI-ASSEMBLED FRAME - 56D	6	00	01	00
01..	0531053709	FRONT SEMI-ASSEMBLED FRAME - 60D	7	00	00	01
02	0531053699	REAR SEMI-ASSEMBLED FRAME - 52D	8	01	00	00
02.	0531053703	REAR SEMI-ASSEMBLED FRAME - 56D	9	00	01	00
02..	0531053711	REAR SEMI-ASSEMBLED FRAME - 60D	10	00	00	01
03	0521044870	DRAWBAR ASSY	26	01	01	01
04	0511058461	HYDRAULIC CYLINDER	31	01	01	01
05	0503062157	DRAWBAR JACK	32	01	01	01
06	0501040257	ASSY 3/4 X 38 HOSE SUPPORT	33	01	01	01
07	0531058155	INSTRUCTION MANUAL CANISTER	34	01	01	01
08	0501047895	25 ROD STOP		06	06	06
09	0501047885	30 ROD STOP		04	04	04
10	0501063963	FRONT SCRAPER		19	21	23
11	0501063962	REAR SCRAPER		19	21	23
12	0521068803	FRONT STABILIZER BAR		01	01	01
13	0521068804	REAR STABILIZER BAR		01	01	01
14	0501011432	1-1/2" AND 1-5/8 GANG BOLT WRENCH		02	02	02
15	0501061617	1" GANG BOLT WRENCH		01	01	01
16	0501068273	5/8" WRENCH		01	01	01
17	0531019497	1.5" X 9.2" ARTICULATED AXIS		04	04	04
18	0531019540	FLAT WASHER		04	04	04
19	0501011301	1.1/2 UNC 6FPP 2.5/16 NUT		06	06	06
20	0501017779	32 X 60 X 4.75 FLAT WASHER		01	01	01
21	0521010779	31.75 X 95 COUPLING SHAFT		01	01	01
22	0503010523	1/4" X 2" SPLIT PIN		01	01	01
23	0501011106	1-1/4" X 7" SCREW		01	01	01
24	0503010070	SPRING WASHER		01	01	01
25	0501010087	1.1/4" NUT		01	01	01
26	0503010060	1/2 UNC G.5 ZN HEX NUT		68	66	84
27	0503010019	1/2" SPRING WASHER		68	66	84



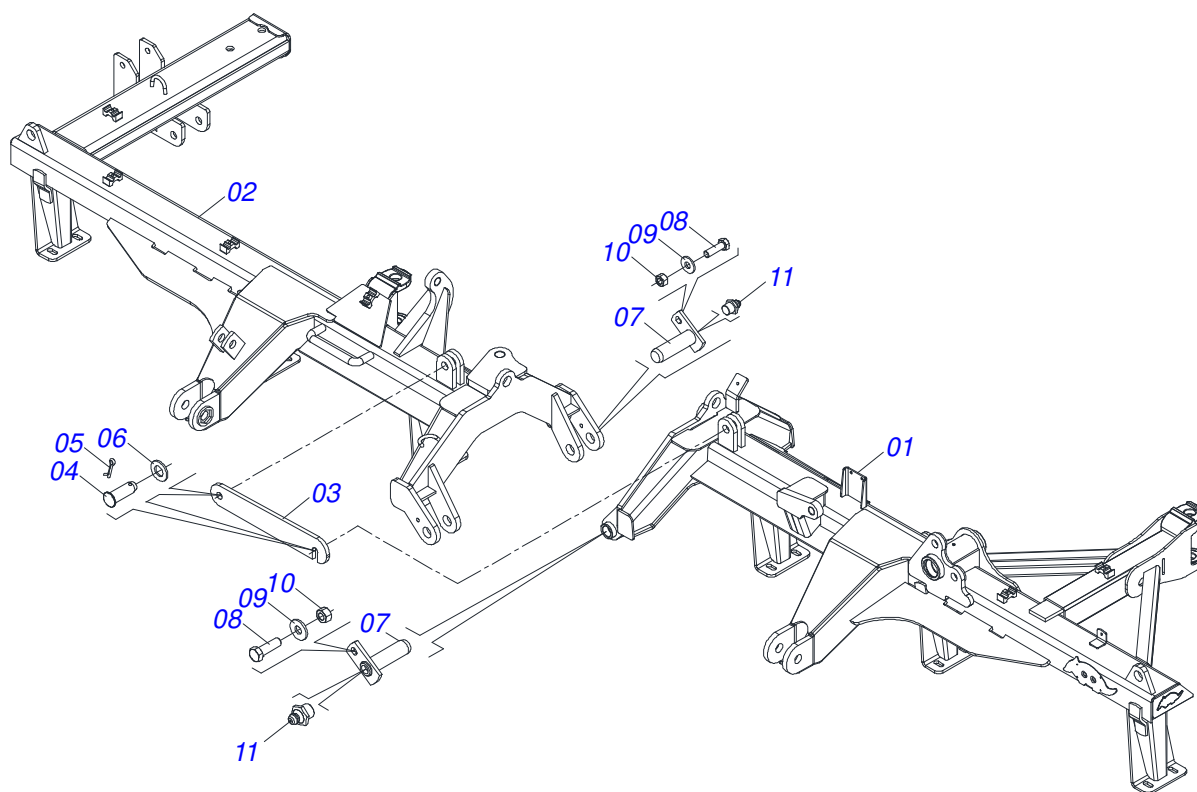
FRAME ASSY 52/56/60D

0909096587

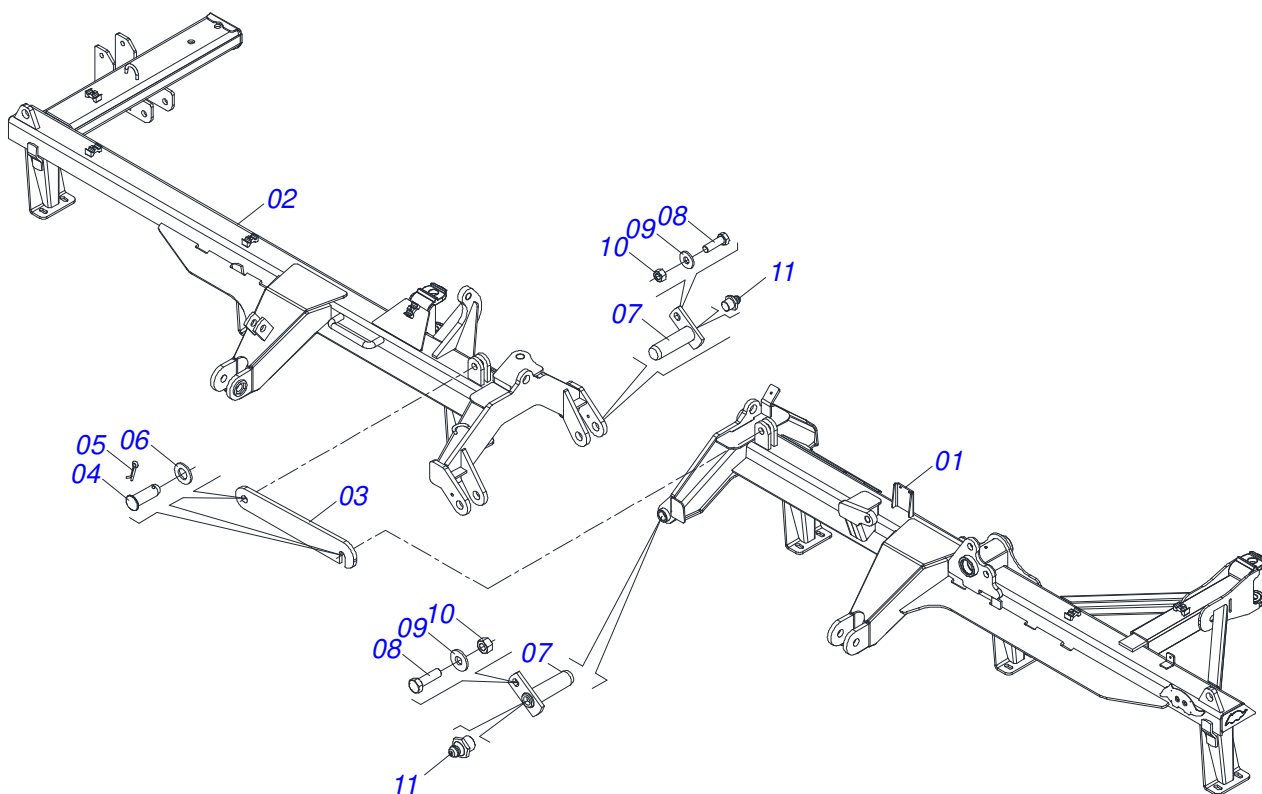
Item	Code	Description	See page	52	56	60
28	0511017302	FLAT WASHER 13,50 X 32,50 X 3,0 ZN		76	74	92
29	0503011082	C1/2" X 1.3/4" SCREW		76	74	92
30	0503031035	HITCH PIN CLIP		01	01	01
31	0501010426	1-1/4" X 6" SCREW		02	02	02
32	0503010070	SPRING WASHER		02	02	02
33	0501010087	1.1/4" NUT		02	02	02
34	0521053412	HOSE KIT	35	01	01	01
34.	0501053834	MALE QUICK COUPLER	36	02	02	02
35	0503010002	1800 GREASE FITTING		05	05	05
36	0503030168	HITCH PIN CLIP		01	01	01
37	0501069080	COUPLING SHAFT		01	01	01
38	0521010549	COUPLING SHAFT		01	01	01
39	0501019002	JUNCTION SHAFT		01	01	01
40	0503030085	LOCK PIN		01	01	01
41	0503010010	1/4" X 2.1/2" COTTERPIN		04	04	04
42	0503010003	1845 GREASE FITTING		02	02	02
43	0909096553	FRONT GANG DISC - 48/52/56/60/64D	37	01	01	01
44	0909096555	REAR GANG DISC - 48/52/56/60/64D	39	01	01	01



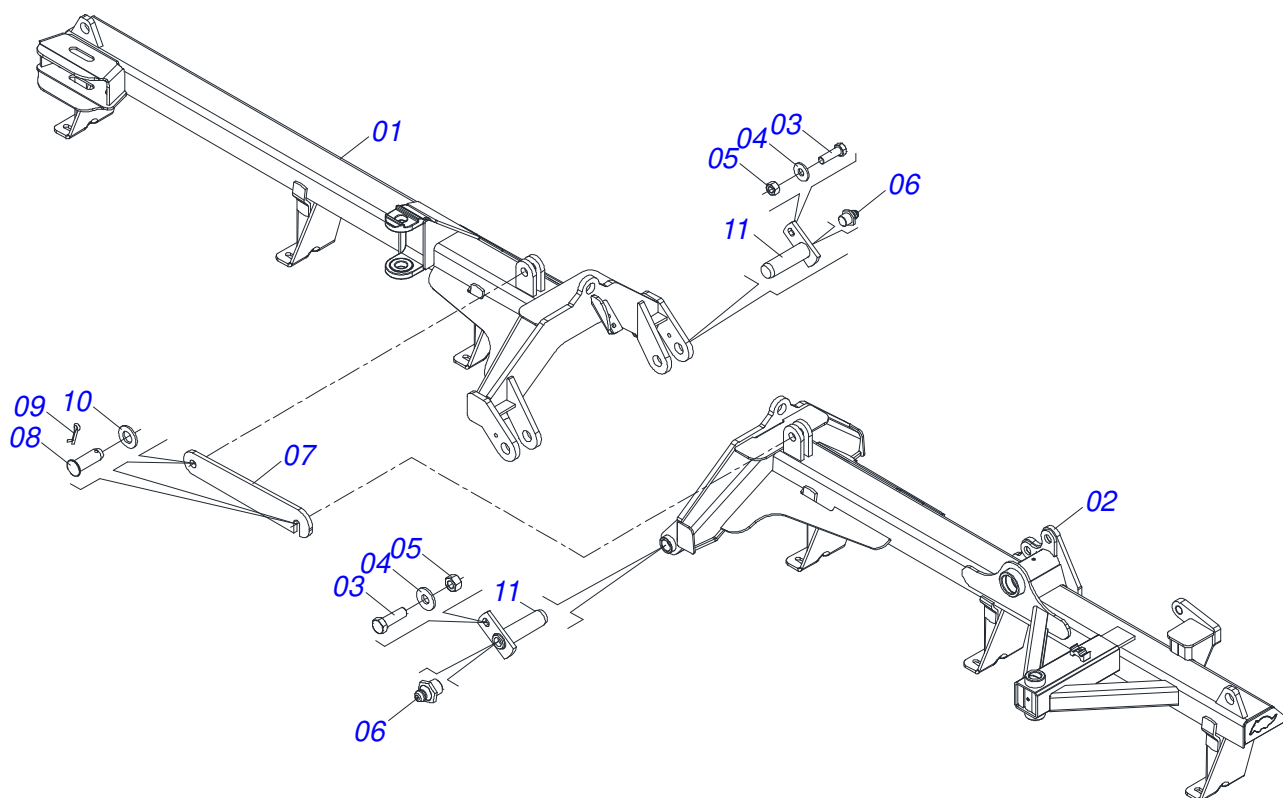
Item	Code	Description	See page	QT
01	0531063286	LEFT FRONT FRAME		01
02	0531063284	RIGHT FRONT FRAME		01
03	0501018941	TRANSPORT LOCK		01
04	0521010592	1.1" X 3.1" COUPLING SHAFT		02
05	0503010571	1/4" X 1.1/2 COTTERPIN		02
06	0511017480	FLAT WASHER		02
07	0501063751	1.5" X 5.5" PIVOT SHAFT		02
08	0501010100	SCREW 5/8 UNC X 2 CS G.5 ZN		02
09	0501012140	FLAT WASHER		02
10	0503010013	5/8 NUT		02
11	0503010002	1800 GREASE FITTING		02



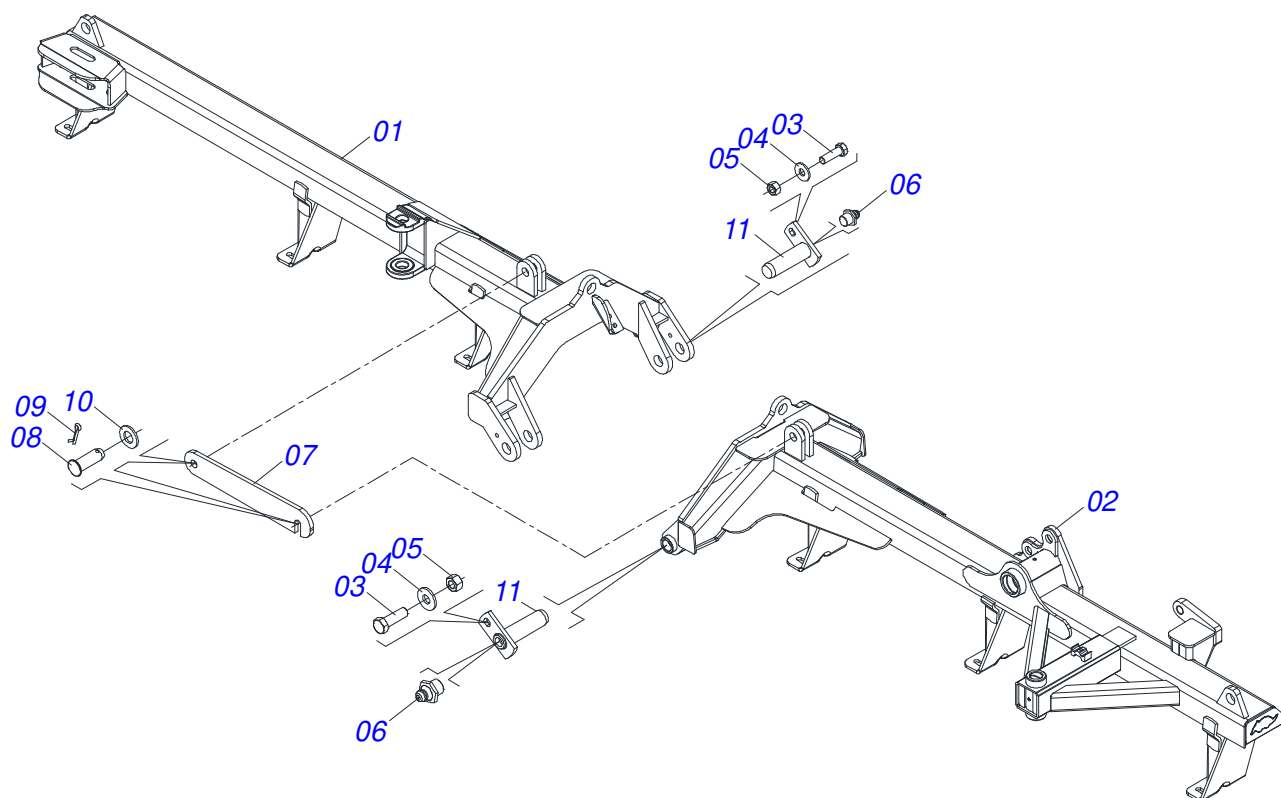
Item	Code	Description	See page	QT
01	0531063294	LEFT FRONT FRAME		01
02	0531063292	RIGHT FRONT FRAME		01
03	0501018941	TRANSPORT LOCK		01
04	0521010592	1.1" X 3.1" COUPLING SHAFT		02
05	0503010571	1/4" X 1.1/2 COTTERPIN		02
06	0511017480	FLAT WASHER		02
07	0501063751	1.5" X 5.5" PIVOT SHAFT		02
08	0501010100	SCREW 5/8 UNC X 2 CS G.5 ZN		02
09	0501012140	FLAT WASHER		02
10	0503010013	5/8 NUT		02
11	0503010002	1800 GREASE FITTING		02



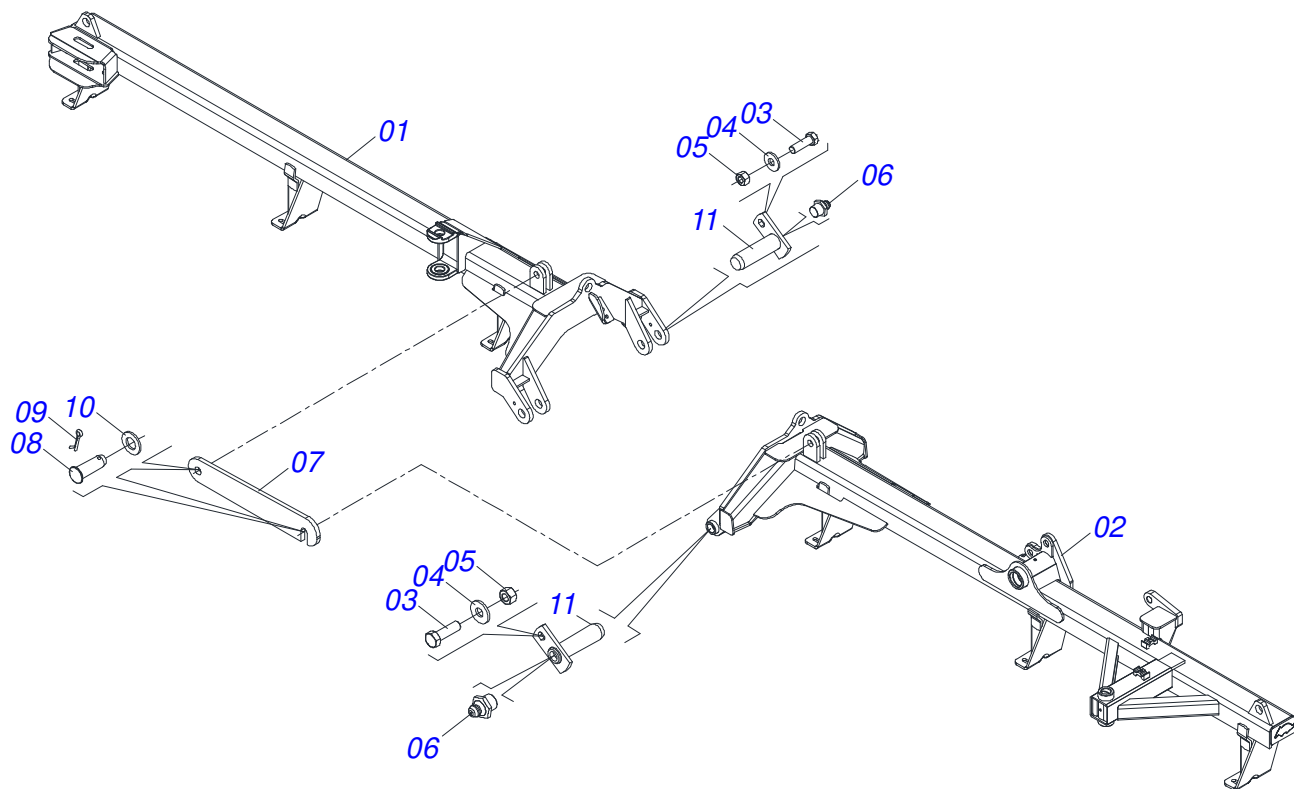
Item	Code	Description	See page	QT
01	0531063302	LEFT FRONT FRAME		01
02	0531063300	RIGHT FRONT FRAME		01
03	0501018941	TRANSPORT LOCK		01
04	0521010592	1.1" X 3.1" COUPLING SHAFT		02
05	0503010571	1/4" X 1.1/2 COTTERPIN		02
06	0511017480	FLAT WASHER		02
07	0501063751	1.5" X 5.5" PIVOT SHAFT		02
08	0501010100	SCREW 5/8 UNC X 2 CS G.5 ZN		02
09	0501012140	FLAT WASHER		02
10	0503010013	5/8 NUT		02
11	0503010002	1800 GREASE FITTING		02



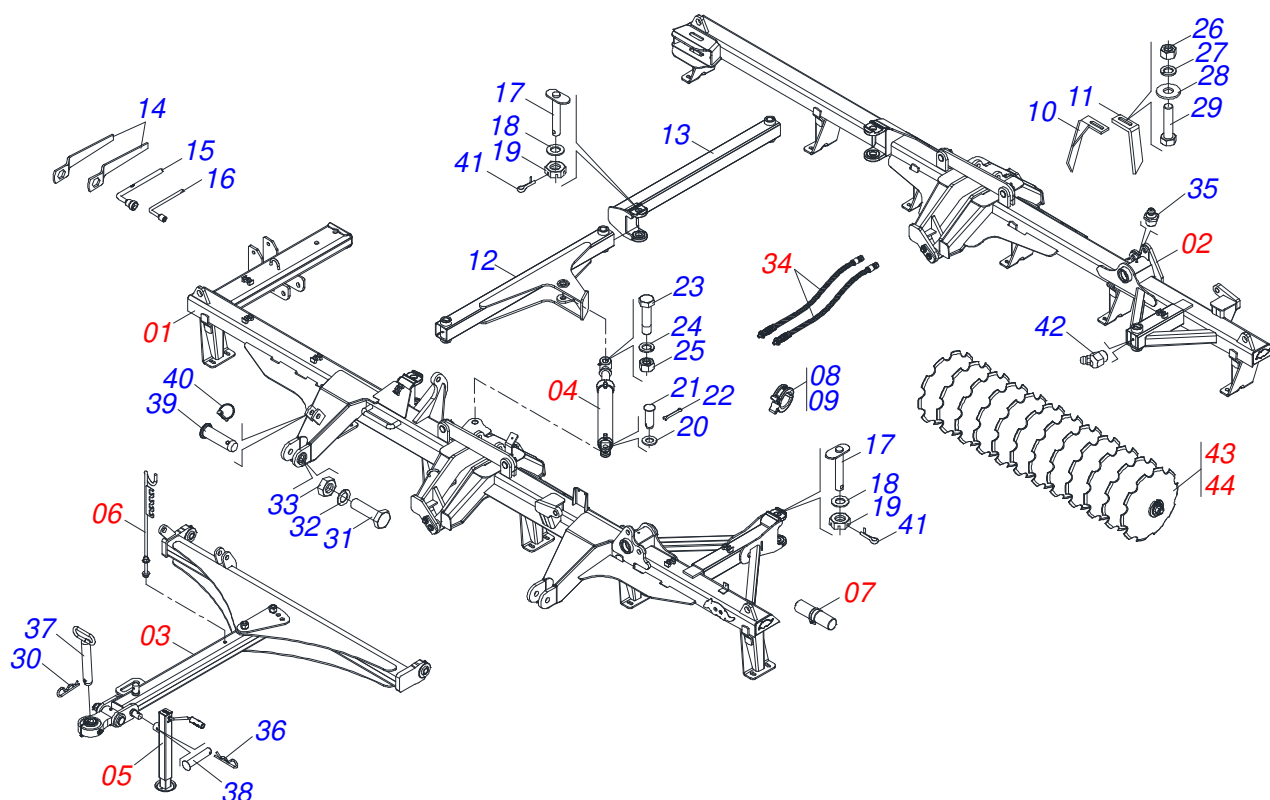
Item	Code	Description	See page	QT
01	0531063288	RIGHT REAR FRAME		01
02	0531063290	LEFT REAR FRAME		01
03	0501010100	SCREW 5/8 UNC X 2 CS G.5 ZN		02
04	0501012140	FLAT WASHER		02
05	0503010013	5/8 NUT		02
06	0503010002	1800 GREASE FITTING		02
07	0501018941	TRANSPORT LOCK		01
08	0521010592	1.1" X 3.1" COUPLING SHAFT		02
09	0503010571	1/4" X 1.1/2 COTTERPIN		02
10	0511017480	FLAT WASHER		02
11	0501063751	1.5" X 5.5" PIVOT SHAFT		02



Item	Code	Description	See page	QT
01	0531063298	RIGHT REAR FRAME		01
02	0531063296	LEFT FRONT FRAME		01
03	0501010100	SCREW 5/8 UNC X 2 CS G.5 ZN		02
04	0501012140	FLAT WASHER		02
05	0503010013	5/8 NUT		02
06	0503010002	1800 GREASE FITTING		02
07	0501018941	TRANSPORT LOCK		01
08	0521010592	1.1" X 3.1" COUPLING SHAFT		02
09	0503010571	1/4" X 1.1/2 COTTERPIN		02
10	0511017480	FLAT WASHER		02
11	0501063751	1.5" X 5.5" PIVOT SHAFT		02



Item	Code	Description	See page	QT
01	0531063304	RIGHT REAR FRAME		01
02	0531063306	LEFT REAR FRAME		01
03	0501010100	SCREW 5/8 UNC X 2 CS G.5 ZN		02
04	0501012140	FLAT WASHER		02
05	0503010013	5/8 NUT		02
06	0503010002	1800 GREASE FITTING		02
07	0501018941	TRANSPORT LOCK		01
08	0521010592	1.1" X 3.1" COUPLING SHAFT		02
09	0503010571	1/4" X 1.1/2 COTTERPIN		02
10	0511017480	FLAT WASHER		02
11	0501063751	1.5" X 5.5" PIVOT SHAFT		02



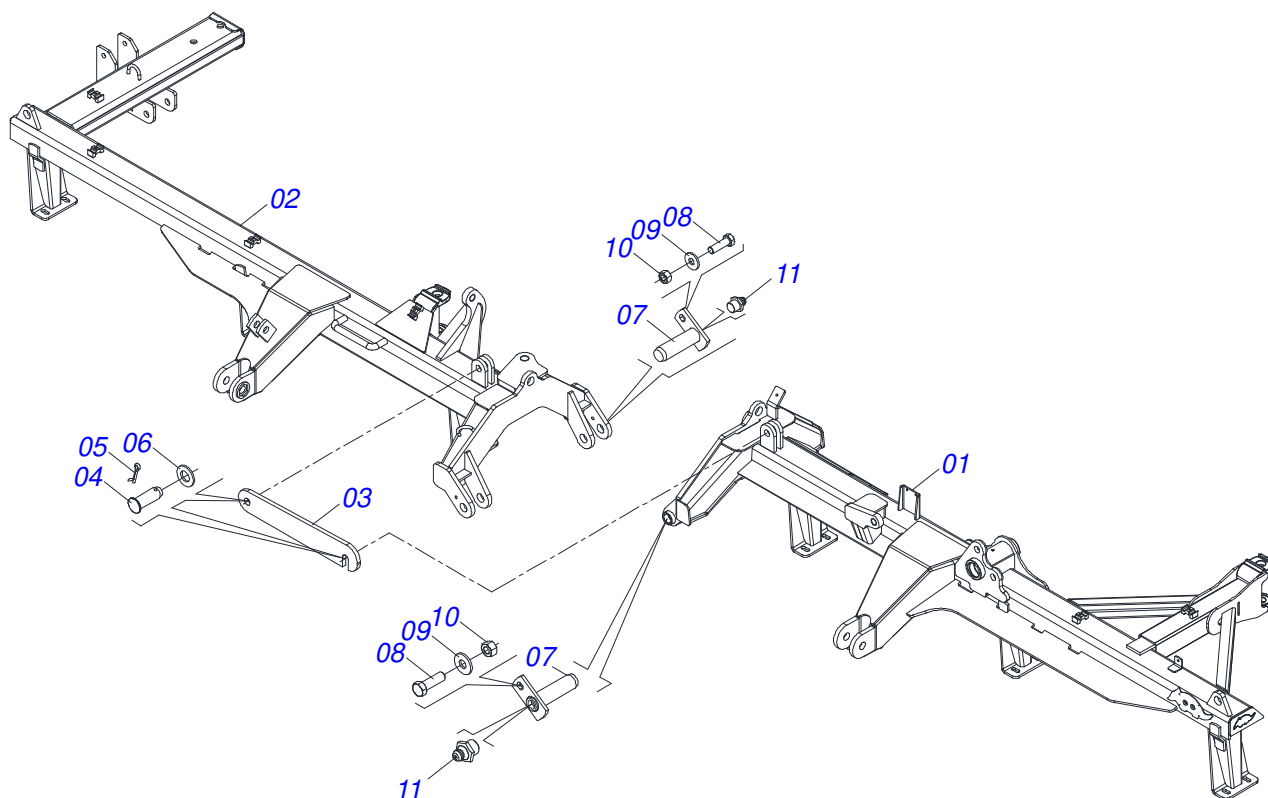
Item	Code	Description	See page	064 068 072
01	0531053731	FRONT SEMI-ASSEMBLED FRAME - 64D	12	001 000 000
01.	0531053727	FRONT SEMI-ASSEMBLED FRAME - 68D	13	000 001 000
01..	0531053723	FRONT SEMI-ASSEMBLED FRAME - 72D	14	000 000 001
02	0531053733	REAR SEMI-ASSEMBLED FRAME - 64D	15	001 000 000
02.	0531053729	REAR SEMI-ASSEMBLED FRAME - 68D	16	000 001 000
02..	0531053725	REAR SEMI-ASSEMBLED FRAME - 72D	17	000 000 001
03	0521044870	DRAWBAR ASSY	26	001 001 001
04	0511058461	HYDRAULIC CYLINDER	31	001 001 001
05	0503062157	DRAWBAR JACK	32	001 001 001
06	0501040257	ASSY 3/4 X 38 HOSE SUPPORT	33	001 001 001
07	0531058155	INSTRUCTION MANUAL CANISTER	34	001 001 001
08	0501047895	25 ROD STOP		006 006 006
09	0501047885	30 ROD STOP		004 004 004
10	0501063963	FRONT SCRAPER		025 026 029
11	0501063962	REAR SCRAPER		025 026 029
12	0521065407	FRONT STABILIZER BAR		001 001 001
13	0521065406	REAR STABILIZER BAR		001 001 001
14	0501011432	1-1/2" AND 1-5/8 GANG BOLT WRENCH		002 002 002
15	0501061617	1" GANG BOLT WRENCH		001 001 001
16	0501068273	5/8" WRENCH		001 001 001
17	0531019497	1.5" X 9.2" ARTICULATED AXIS		004 004 004
18	0531019540	FLAT WASHER		004 004 004
19	0501011301	1.1/2 UNC 6FPP 2.5/16 NUT		006 006 006
20	0501017779	32 X 60 X 4.75 FLAT WASHER		001 001 001
21	0521010779	31.75 X 95 COUPLING SHAFT		001 001 001
22	0503010523	1/4" X 2" SPLIT PIN		001 001 001
23	0501011106	1-1/4" X 7" SCREW		001 001 001
24	0503010070	SPRING WASHER		001 001 001
25	0501010087	1.1/4" NUT		001 001 001
26	0503010060	1/2 UNC G.5 ZN HEX NUT		092 096 108
27	0503010019	1/2" SPRING WASHER		092 096 116



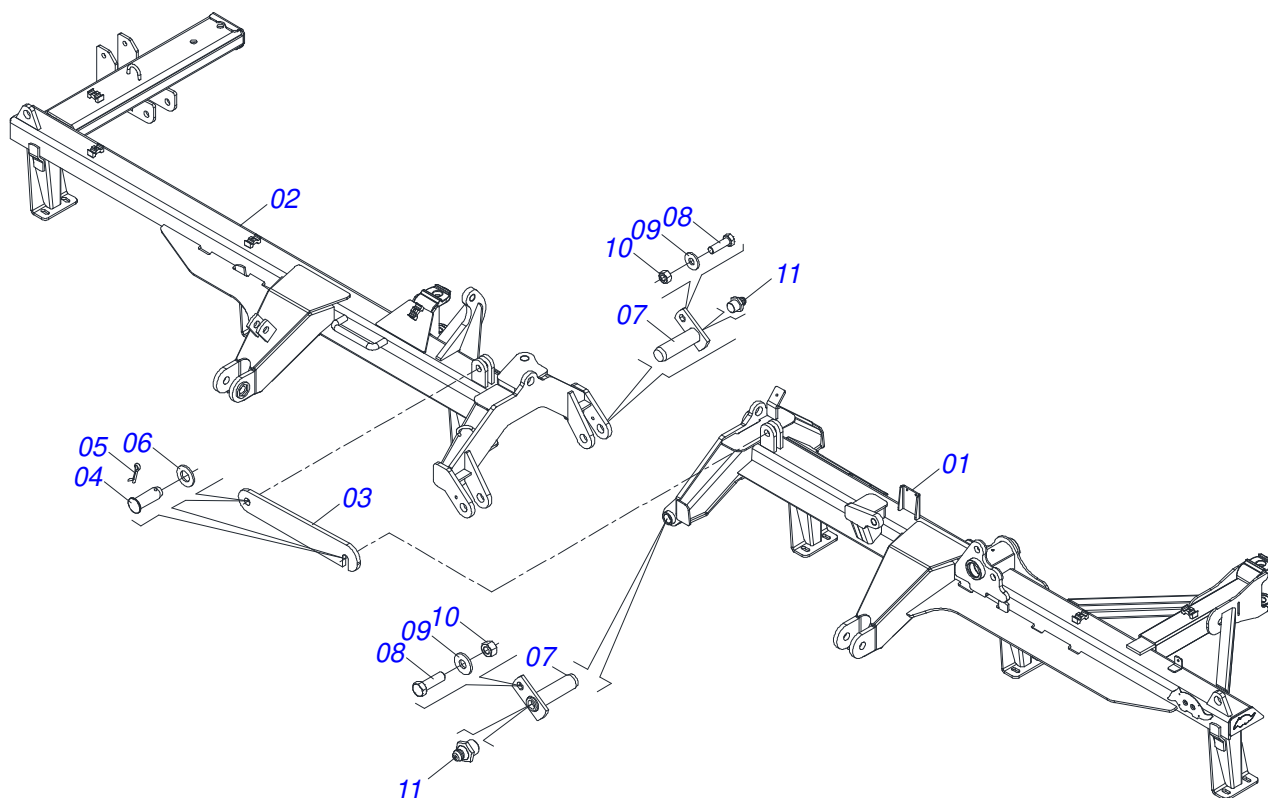
FRAME ASSY 64/68/72D

0909096588

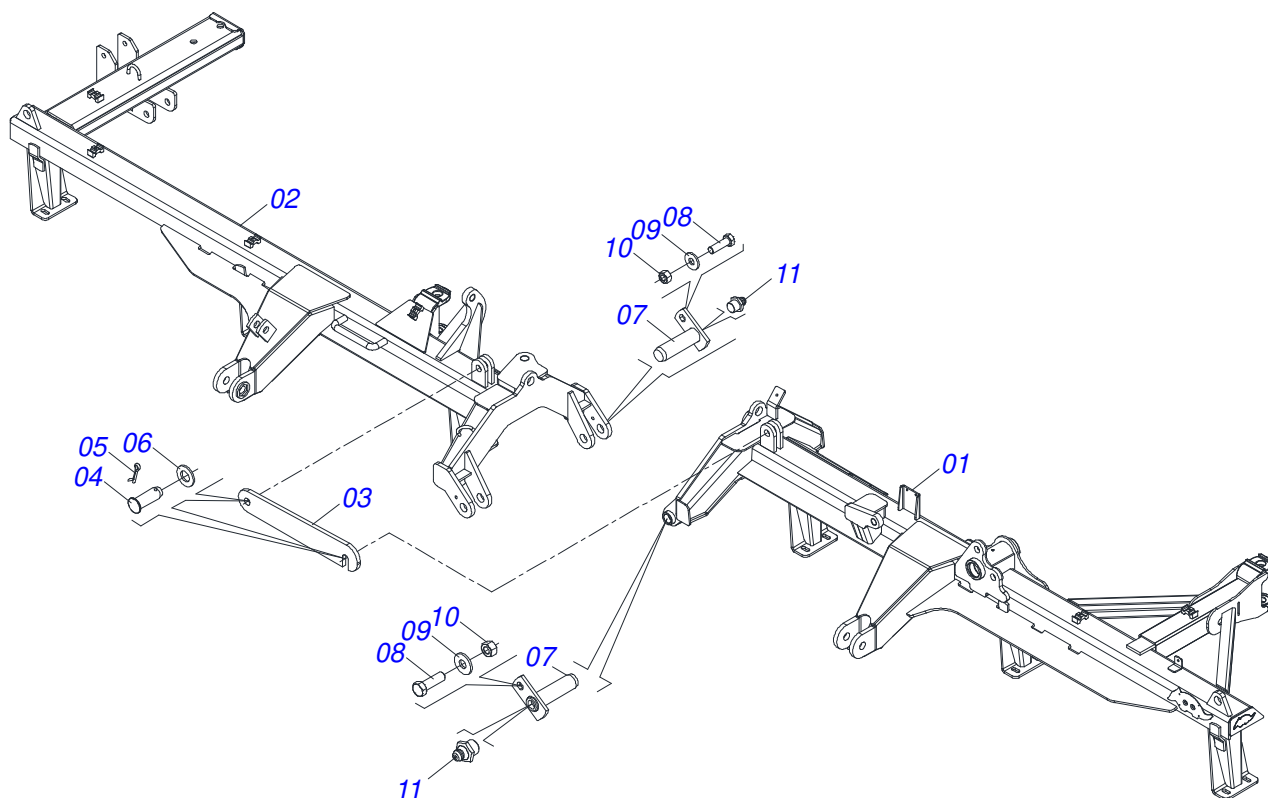
Item	Code	Description	See page	064 068 072
28	0511017302	FLAT WASHER 13,50 X 32,50 X 3,0 ZN		100 104 116
29	0503011082	C1/2" X 1.3/4" SCREW		100 104 108
30	0503031035	HITCH PIN CLIP		001 001 001
31	0501010426	1-1/4" X 6" SCREW		002 002 002
32	0503010070	SPRING WASHER		002 002 002
33	0501010087	1.1/4" NUT		002 002 002
34	0521053412	HOSE KIT	35	001 001 001
34.	0501053834	MALE QUICK COUPLER	36	002 002 002
35	0503010002	1800 GREASE FITTING		005 005 005
36	0503030168	HITCH PIN CLIP		001 001 001
37	0501069080	COUPLING SHAFT		001 001 001
38	0521010549	COUPLING SHAFT		001 001 001
39	0501019002	JUNCTION SHAFT		001 001 001
40	0503030085	LOCK PIN		001 001 001
41	0503010010	1/4" X 2.1/2" COTTERPIN		004 004 004
42	0503010003	1845 GREASE FITTING		002 002 002
43	0909096553	FRONT GANG DISC - 48/52/56/60/64D	37	001 000 000
43.	0909096554	FRONT GANG DISC - 68/72/76/80/84D	38	000 001 001
44	0909096555	REAR GANG DISC - 48/52/56/60/64D	39	001 000 000
44.	0909096556	REAR GANG DISC - 68/72/76/80/84D	40	000 001 001



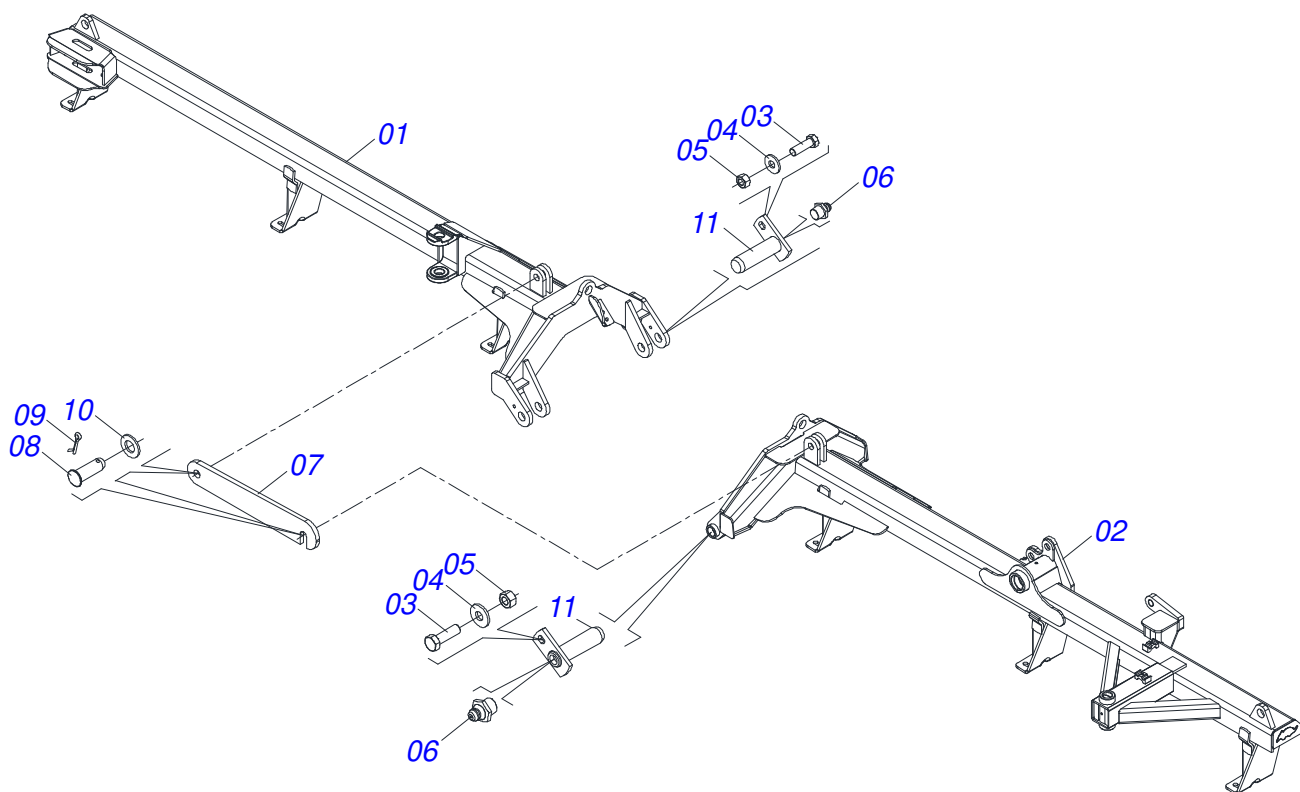
Item	Code	Description	See page	QT
01	0531063352	LEFT FRONT FRAME		01
02	0531063350	RIGHT FRONT FRAME		01
03	0501018941	TRANSPORT LOCK		01
04	0521010592	1.1" X 3.1" COUPLING SHAFT		02
05	0503010571	1/4" X 1.1/2 COTTERPIN		02
06	0511017480	FLAT WASHER		02
07	0501063751	1.5" X 5.5" PIVOT SHAFT		02
08	0501010100	SCREW 5/8 UNC X 2 CS G.5 ZN		02
09	0501012140	FLAT WASHER		02
10	0503010013	5/8 NUT		02
11	0503010002	1800 GREASE FITTING		02



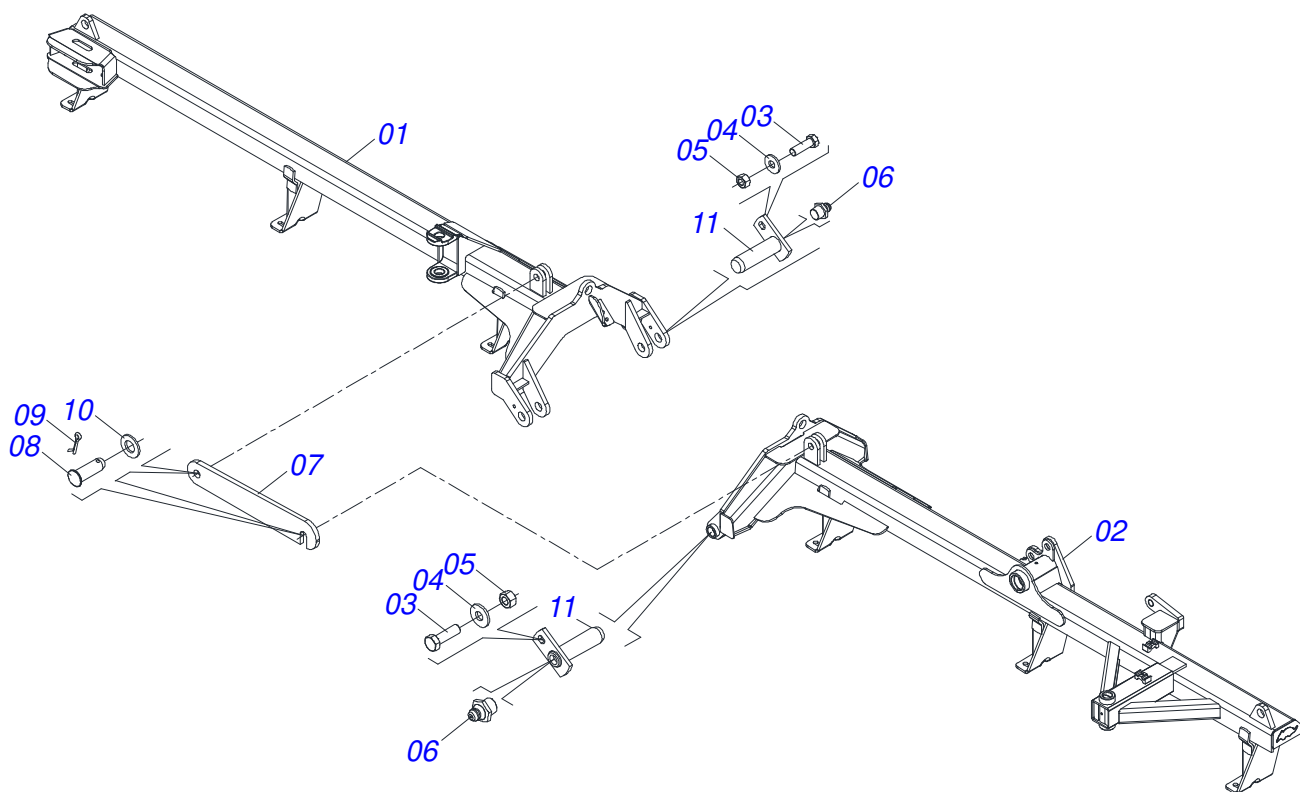
Item	Code	Description	See page	QT
01	0531063344	LEFT FRONT FRAME		01
02	0531063342	RIGHT FRONT FRAME		01
03	0501018941	TRANSPORT LOCK		01
04	0521010592	1.1" X 3.1" COUPLING SHAFT		02
05	0503010571	1/4" X 1.1/2 COTTERPIN		02
06	0511017480	FLAT WASHER		02
07	0501063751	1.5" X 5.5" PIVOT SHAFT		02
08	0501010100	SCREW 5/8 UNC X 2 CS G.5 ZN		02
09	0501012140	FLAT WASHER		02
10	0503010013	5/8 NUT		02
11	0503010002	1800 GREASE FITTING		02



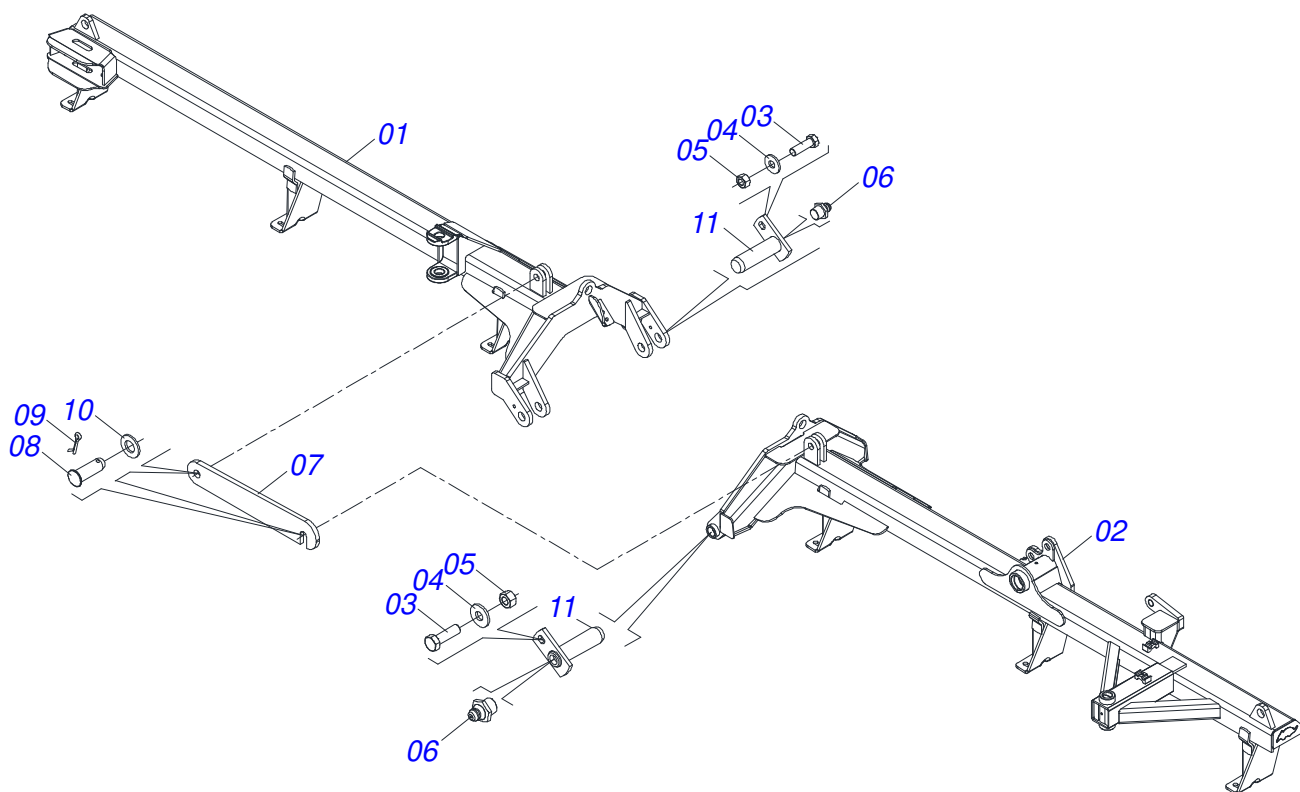
Item	Code	Description	See page	QT
01	0531063336	LEFT FRONT FRAME		01
02	0531063334	RIGHT FRONT FRAME		01
03	0501018941	TRANSPORT LOCK		01
04	0521010592	1.1" X 3.1" COUPLING SHAFT		02
05	0503010571	1/4" X 1.1/2 COTTERPIN		02
06	0511017480	FLAT WASHER		02
07	0501063751	1.5" X 5.5" PIVOT SHAFT		02
08	0501010100	SCREW 5/8 UNC X 2 CS G.5 ZN		02
09	0501012140	FLAT WASHER		02
10	0503010013	5/8 NUT		02
11	0503010002	1800 GREASE FITTING		02



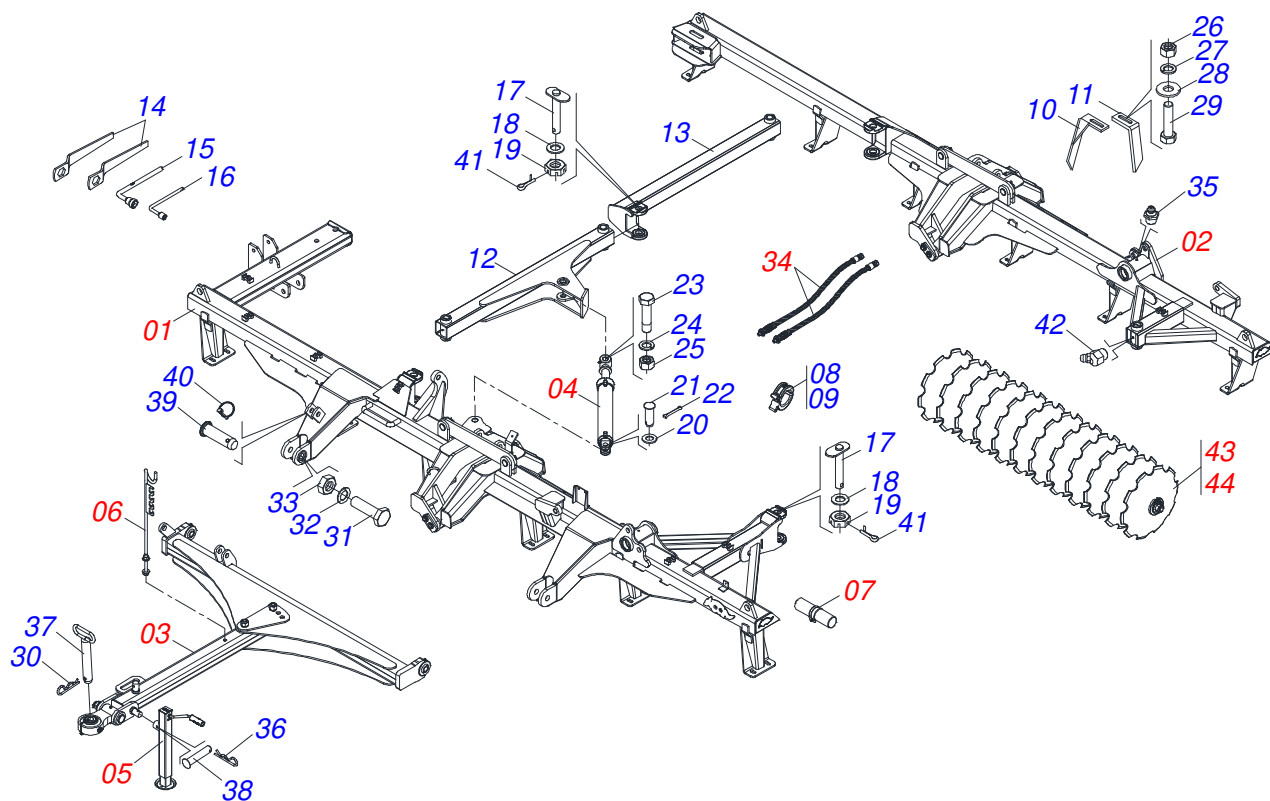
Item	Code	Description	See page	QT
01	0531063354	RIGHT REAR FRAME		01
02	0531063356	LEFT REAR FRAME		01
03	0501010100	SCREW 5/8 UNC X 2 CS G.5 ZN		02
04	0501012140	FLAT WASHER		02
05	0503010013	5/8 NUT		02
06	0503010002	1800 GREASE FITTING		02
07	0501018941	TRANSPORT LOCK		01
08	0521010592	1.1" X 3.1" COUPLING SHAFT		02
09	0503010571	1/4" X 1.1/2 COTTERPIN		02
10	0511017480	FLAT WASHER		02
11	0501063751	1.5" X 5.5" PIVOT SHAFT		02



Item	Code	Description	See page	QT
01	0531063348	RIGHT REAR FRAME		01
02	0531063346	LEFT REAR FRAME		01
03	0501010100	SCREW 5/8 UNC X 2 CS G.5 ZN		02
04	0501012140	FLAT WASHER		02
05	0503010013	5/8 NUT		02
06	0503010002	1800 GREASE FITTING		02
07	0501018941	TRANSPORT LOCK		01
08	0521010592	1.1" X 3.1" COUPLING SHAFT		02
09	0503010571	1/4" X 1.1/2 COTTERPIN		02
10	0511017480	FLAT WASHER		02
11	0501063751	1.5" X 5.5" PIVOT SHAFT		02



Item	Code	Description	See page	QT
01	0531063338	RIGHT REAR FRAME		01
02	0531063340	LEFT REAR FRAME		01
03	0501010100	SCREW 5/8 UNC X 2 CS G.5 ZN		02
04	0501012140	FLAT WASHER		02
05	0503010013	5/8 NUT		02
06	0503010002	1800 GREASE FITTING		02
07	0501018941	TRANSPORT LOCK		01
08	0521010592	1.1" X 3.1" COUPLING SHAFT		02
09	0503010571	1/4" X 1.1/2 COTTERPIN		02
10	0511017480	FLAT WASHER		02
11	0501063751	1.5" X 5.5" PIVOT SHAFT		02



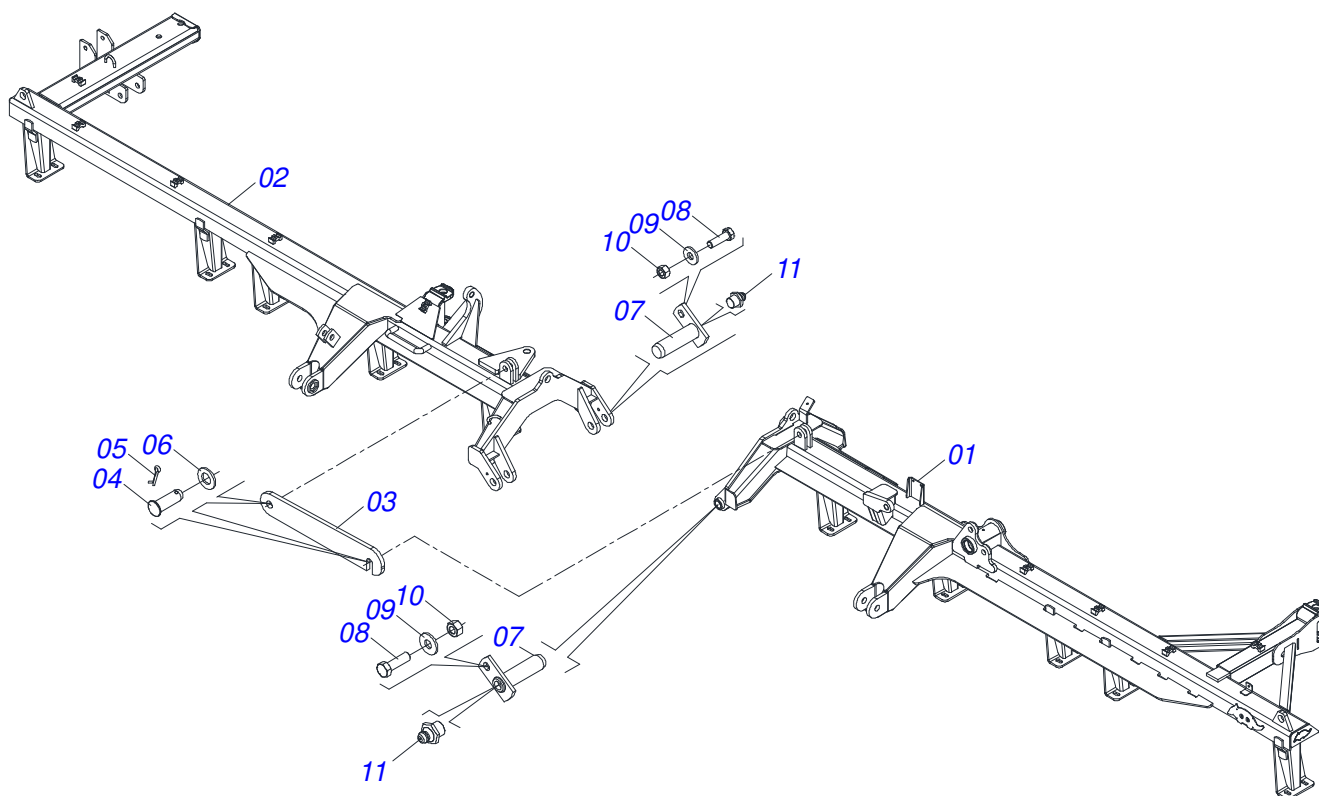
Item	Code	Description	See page	076 080 084
01	0531053713	FRONT SEMI-ASSEMBLED FRAME - 76D	19	001 000 000
01.	0531053717	FRONT SEMI-ASSEMBLED FRAME - 80D	20	000 001 000
01..	0531053721	FRONT SEMI-ASSEMBLED FRAME - 84D	21	000 000 001
02	0531053715	REAR SEMI-ASSEMBLED FRAME - 76D	22	001 000 000
02.	0531053719	REAR SEMI-ASSEMBLED FRAME - 80D	23	000 001 000
02..	0531053722	REAR SEMI-ASSEMBLED FRAME - 84D	24	000 000 001
03	0521044870	DRAWBAR ASSY	26	001 001 001
04	0511058461	HYDRAULIC CYLINDER	31	001 001 001
05	0503062157	DRAWBAR JACK	32	001 001 001
06	0501040257	ASSY 3/4 X 38 HOSE SUPPORT	33	001 001 001
07	0531058155	INSTRUCTION MANUAL CANISTER	34	001 001 001
08	0501047895	25 ROD STOP		006 006 006
09	0501047885	30 ROD STOP		004 004 004
10	0501063963	FRONT SCRAPER		027 029 030
11	0501063962	REAR SCRAPER		027 029 030
12	0521069184	FRONT STABILIZER BAR		001 001 001
13	0521069193	REAR STABILIZER BAR		001 001 001
14	0501011432	1-1/2" AND 1-5/8 GANG BOLT WRENCH		002 002 002
15	0501061617	1" GANG BOLT WRENCH		001 001 001
16	0501068273	5/8" WRENCH		001 001 001
17	0531019497	1.5" X 9.2" ARTICULATED AXIS		004 004 004
18	0531019540	FLAT WASHER		004 004 004
19	0501011301	1.1/2 UNC 6FPP 2.5/16 NUT		006 006 006
20	0501017779	32 X 60 X 4.75 FLAT WASHER		001 001 001
21	0521010779	31.75 X 95 COUPLING SHAFT		001 001 001
22	0503010523	1/4" X 2" SPLIT PIN		001 001 001
23	0501011106	1-1/4" X 7" SCREW		001 001 001
24	0503010070	SPRING WASHER		001 001 001
25	0501010087	1.1/4" NUT		001 001 001
26	0503010060	1/2 UNC G.5 ZN HEX NUT		100 106 120
27	0503010019	1/2" SPRING WASHER		100 106 120



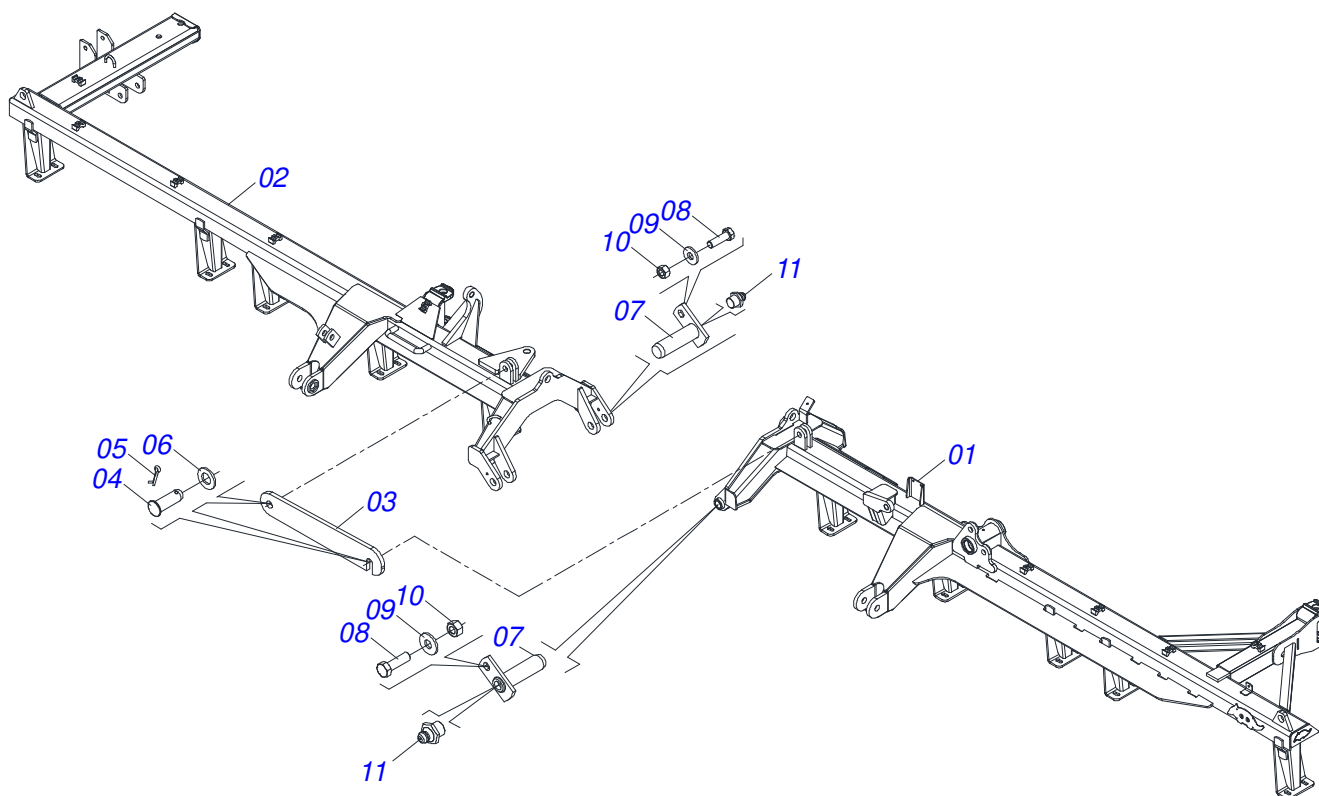
FRAME ASSY 76/80/84D

0909096589

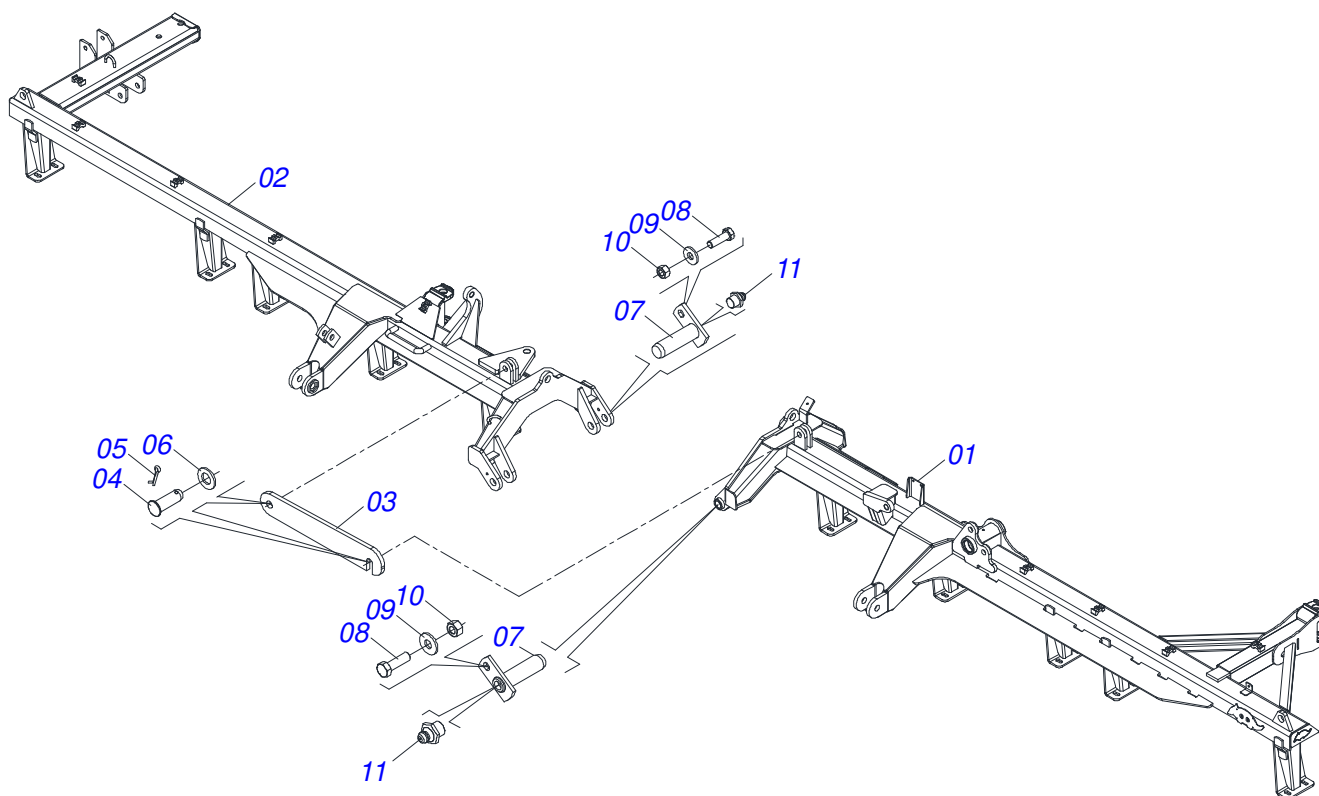
Item	Code	Description	See page	076 080 084
28	0511017302	FLAT WASHER 13,50 X 32,50 X 3,0 ZN		108 114 128
29	0503011082	C1/2" X 1.3/4" SCREW		108 114 128
30	0503031035	HITCH PIN CLIP		001 001 001
31	0501010426	1-1/4" X 6" SCREW		002 002 002
32	0503010070	SPRING WASHER		002 002 002
33	0501010087	1.1/4" NUT		002 002 002
34	0521053412	HOSE KIT	35	001 001 001
34.	0501053834	MALE QUICK COUPLER	36	002 002 002
35	0503010002	1800 GREASE FITTING		005 005 005
36	0503030168	HITCH PIN CLIP		001 001 001
37	0501069080	COUPLING SHAFT		001 001 001
38	0521010549	COUPLING SHAFT		001 001 001
39	0501019002	JUNCTION SHAFT		001 001 001
40	0503030085	LOCK PIN		001 001 001
41	0503010010	1/4" X 2.1/2" COTTERPIN		004 004 004
42	0503010003	1845 GREASE FITTING		002 002 002
43	0909096554	FRONT GANG DISC - 68/72/76/80/84D	38	001 001 001
44	0909096556	REAR GANG DISC - 68/72/76/80/84D	40	001 001 001



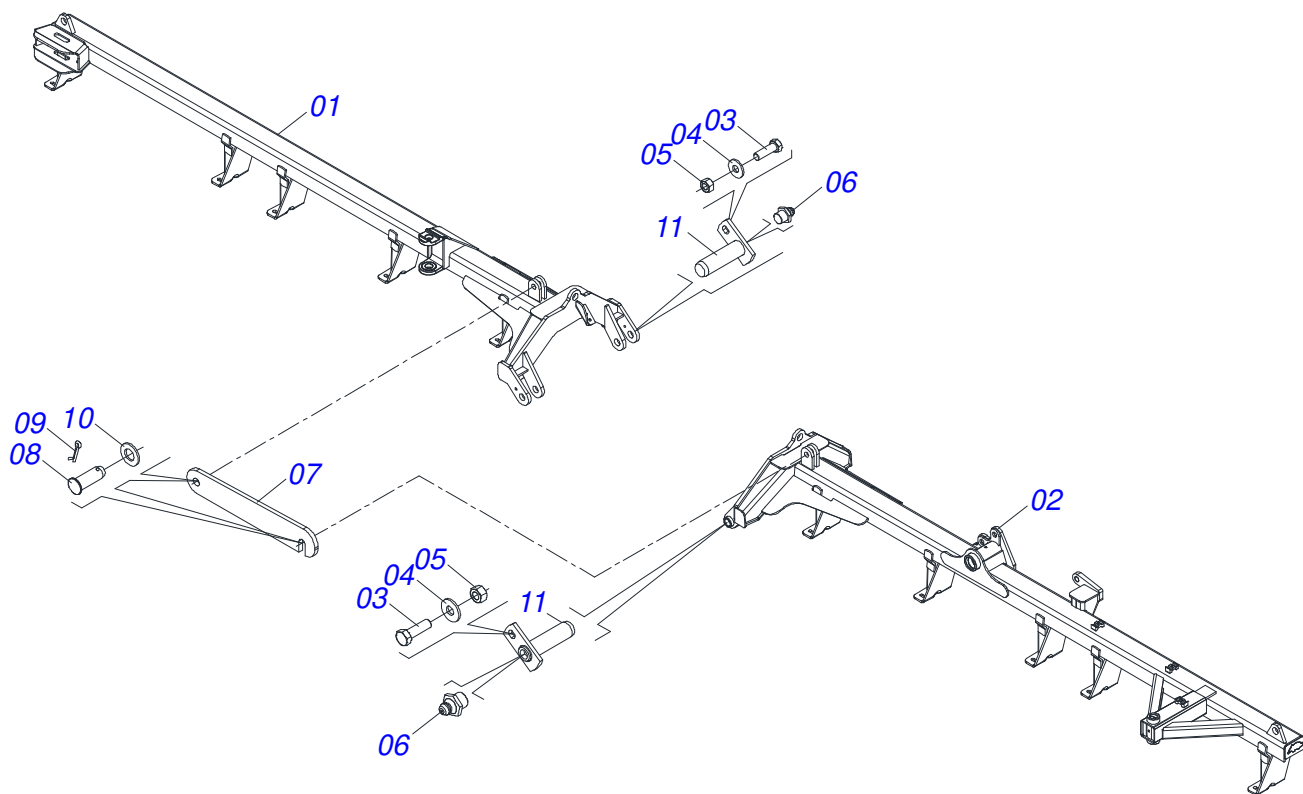
Item	Code	Description	See page	QT
01	0531063310	LEFT FRONT FRAME		01
02	0531063308	RIGHT FRONT FRAME		01
03	0501018941	TRANSPORT LOCK		01
04	0521010592	1.1" X 3.1" COUPLING SHAFT		02
05	0503010571	1/4" X 1.1/2 COTTERPIN		02
06	0511017480	FLAT WASHER		02
07	0501063751	1.5" X 5.5" PIVOT SHAFT		02
08	0501010100	SCREW 5/8 UNC X 2 CS G.5 ZN		02
09	0501012140	FLAT WASHER		02
10	0503010013	5/8 NUT		02
11	0503010002	1800 GREASE FITTING		02



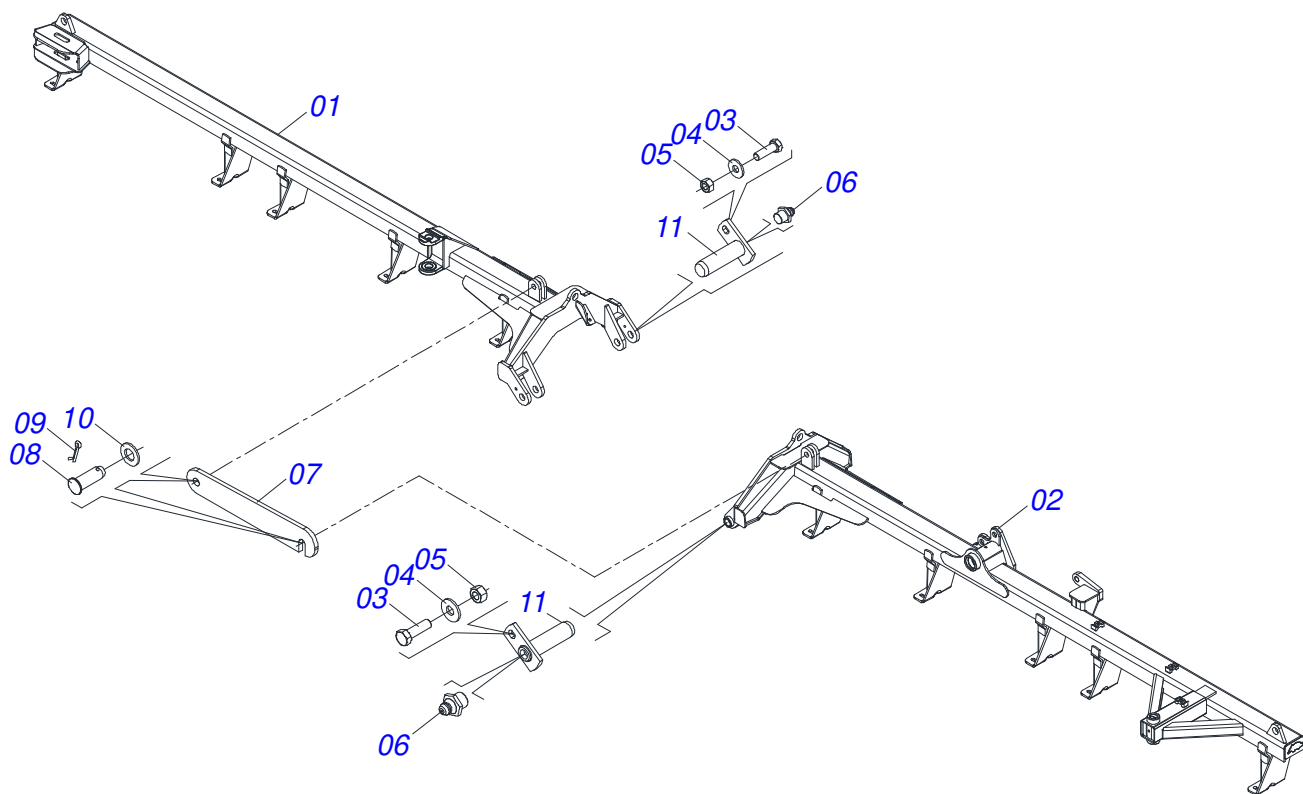
Item	Code	Description	See page	QT
01	0531063318	LEFT FRONT FRAME		01
02	0531063316	RIGHT FRONT FRAME		01
03	0501018941	TRANSPORT LOCK		01
04	0521010592	1.1" X 3.1" COUPLING SHAFT		02
05	0503010571	1/4" X 1.1/2 COTTERPIN		02
06	0511017480	FLAT WASHER		02
07	0501063751	1.5" X 5.5" PIVOT SHAFT		02
08	0501010100	SCREW 5/8 UNC X 2 CS G.5 ZN		02
09	0501012140	FLAT WASHER		02
10	0503010013	5/8 NUT		02
11	0503010002	1800 GREASE FITTING		02



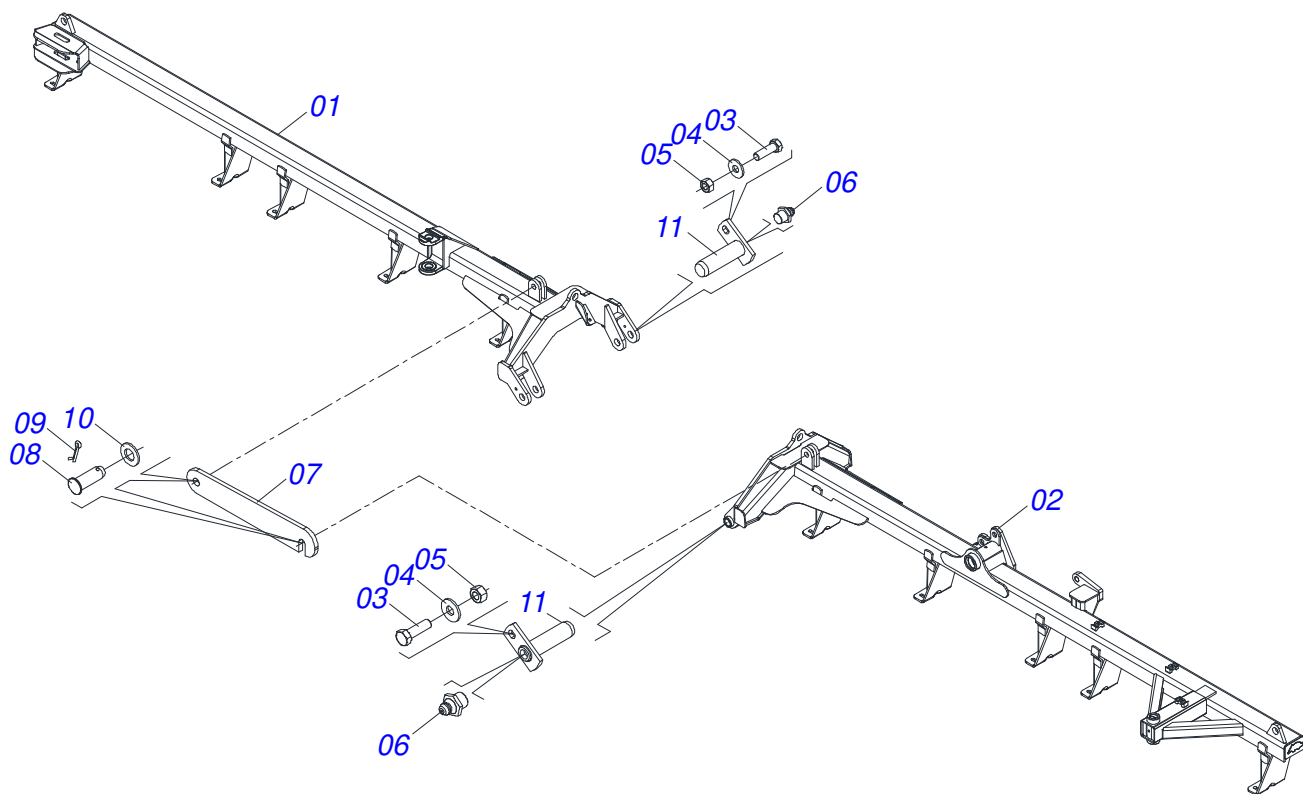
Item	Code	Description	See page	QT
01	0531063328	LEFT FRONT FRAME		01
02	0531063326	RIGHT FRONT FRAME		01
03	0501018941	TRANSPORT LOCK		01
04	0521010592	1.1" X 3.1" COUPLING SHAFT		02
05	0503010571	1/4" X 1.1/2 COTTERPIN		02
06	0511017480	FLAT WASHER		02
07	0501063751	1.5" X 5.5" PIVOT SHAFT		02
08	0501010100	SCREW 5/8 UNC X 2 CS G.5 ZN		02
09	0501012140	FLAT WASHER		02
10	0503010013	5/8 NUT		02
11	0503010002	1800 GREASE FITTING		02



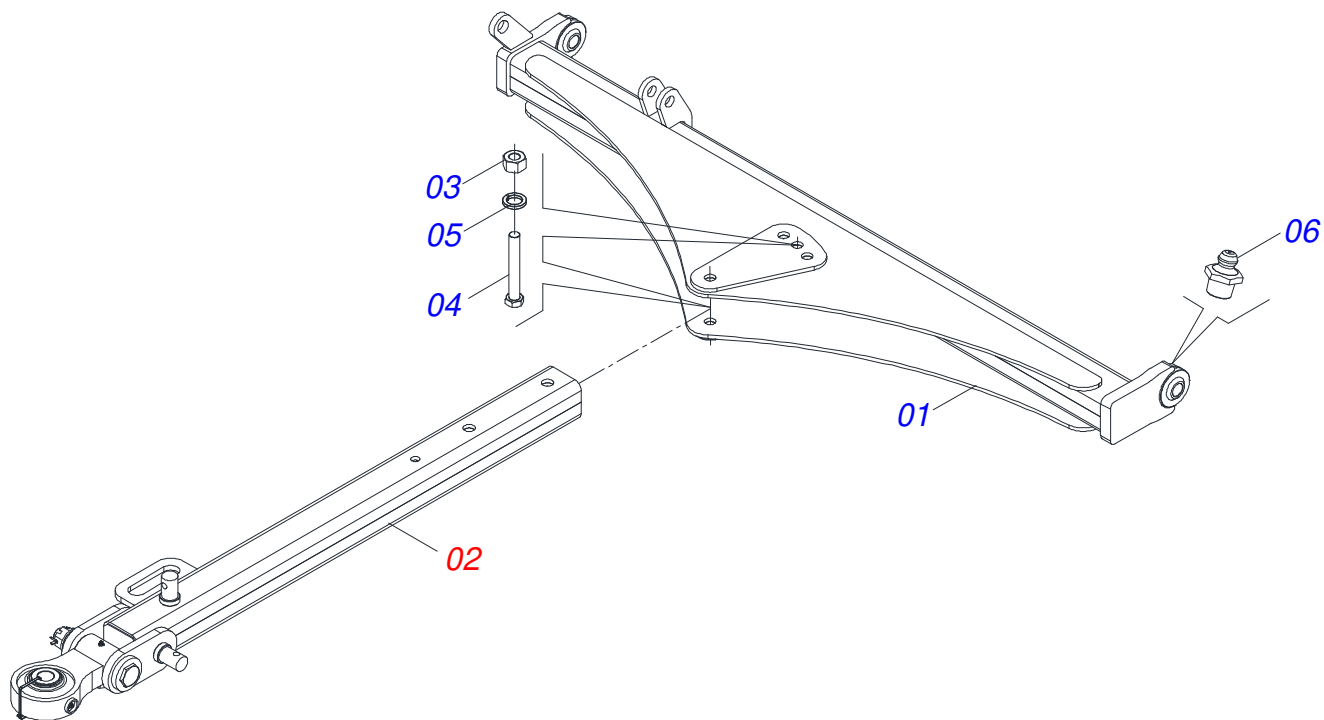
Item	Code	Description	See page	QT
01	0531063312	RIGHT REAR FRAME		01
02	0531063314	LEFT REAR FRAME		01
03	0501010100	SCREW 5/8 UNC X 2 CS G.5 ZN		02
04	0501012140	FLAT WASHER		02
05	0503010013	5/8 NUT		02
06	0503010002	1800 GREASE FITTING		02
07	0501018941	TRANSPORT LOCK		01
08	0521010592	1.1" X 3.1" COUPLING SHAFT		02
09	0503010571	1/4" X 1.1/2 COTTERPIN		02
10	0511017480	FLAT WASHER		02
11	0501063751	1.5" X 5.5" PIVOT SHAFT		02



Item	Code	Description	See page	QT
01	0531063320	RIGHT REAR FRAME		01
02	0531063322	LEFT REAR FRAME		01
03	0501010100	SCREW 5/8 UNC X 2 CS G.5 ZN		02
04	0501012140	FLAT WASHER		02
05	0503010013	5/8 NUT		02
06	0503010002	1800 GREASE FITTING		02
07	0501018941	TRANSPORT LOCK		01
08	0521010592	1.1" X 3.1" COUPLING SHAFT		02
09	0503010571	1/4" X 1.1/2 COTTERPIN		02
10	0511017480	FLAT WASHER		02
11	0501063751	1.5" X 5.5" PIVOT SHAFT		02

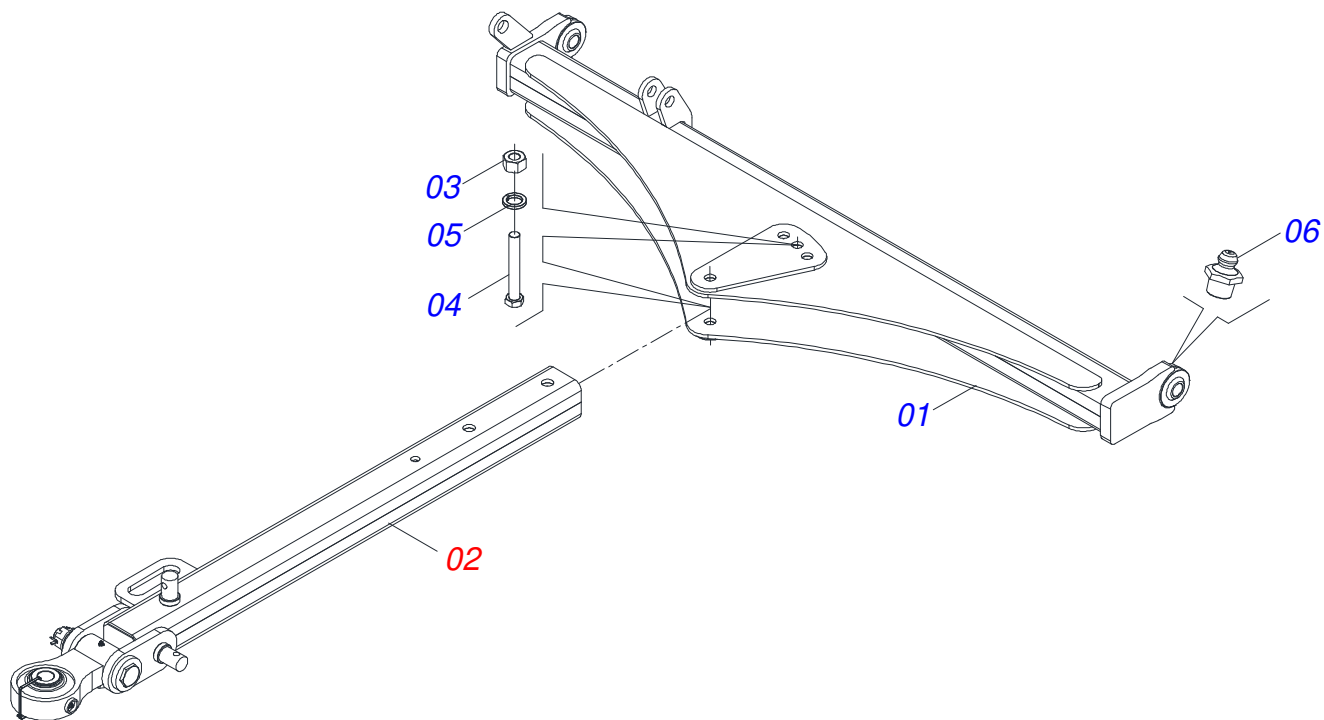


Item	Code	Description	See page	QT
01	0531063330	RIGHT REAR FRAME		01
02	0531063332	LEFT REAR FRAME		01
03	0501010100	SCREW 5/8 UNC X 2 CS G.5 ZN		02
04	0501012140	FLAT WASHER		02
05	0503010013	5/8 NUT		02
06	0503010002	1800 GREASE FITTING		02
07	0501018941	TRANSPORT LOCK		01
08	0521010592	1.1" X 3.1" COUPLING SHAFT		02
09	0503010571	1/4" X 1.1/2 COTTERPIN		02
10	0511017480	FLAT WASHER		02
11	0501063751	1.5" X 5.5" PIVOT SHAFT		02

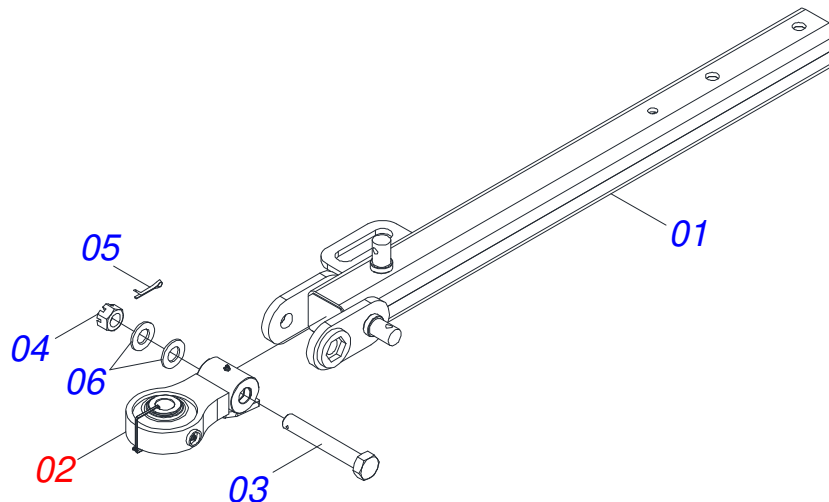


Item	Code	Description	See page	QT
01	0521068827	OFFSET BAR		01
02	0501044359	ASSY TRACTION BAR	27	01
03	0501010059	1.5/8 NUT		02
04	0501010334	1" X 7" BOLT		02
05	0503011438	SPRING WASHER		02
06	0503010002	1800 GREASE FITTING		02

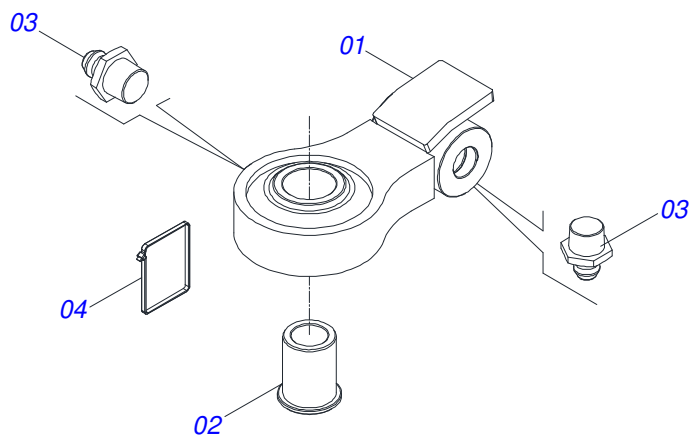
DRAWBAR ASSY



Item	Code	Description	See page	QT
01	0521065405	OFFSET BAR		01
02	0521048502	ASSY TRACTION BAR	29	01
03	0501010059	1.5/8 NUT		02
04	0501010334	1" X 7" BOLT		02
05	0503010012	1" SPRING WASHER		02
06	0503010002	1800 GREASE FITTING		02

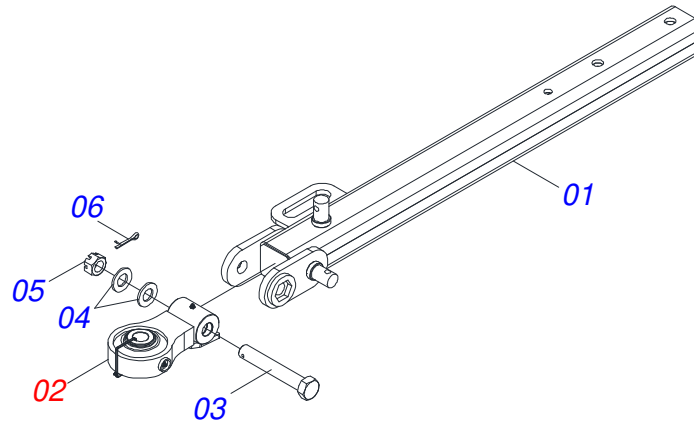


Item	Code	Description	See page	QT
01	0501066715	DRAW BAR		01
02	0521053943	HITCH WITH ASSY ROTULA SUPPORT	28	01
03	0501017291	1-1/2" X 8.1" BOLT		01
04	0501011301	1.1/2 UNC 6FPP 2.5/16 NUT		01
05	0503010010	1/4" X 2.1/2" COTTERPIN		01
06	0501017779	32 X 60 X 4.75 FLAT WASHER		02



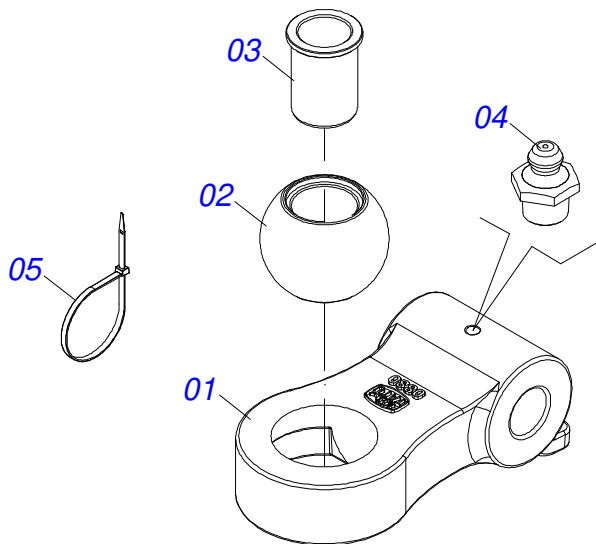
Item	Code	Description	See page	QT
01	0521069166	HITCH		01
02	0581018413	SLEEVE		01
03	0503010002	1800 GREASE FITTING		02
04	0503016033	4.8 X 1.3 X 300 MM NYLON CLAMP		01

ASSY TRACTION BAR



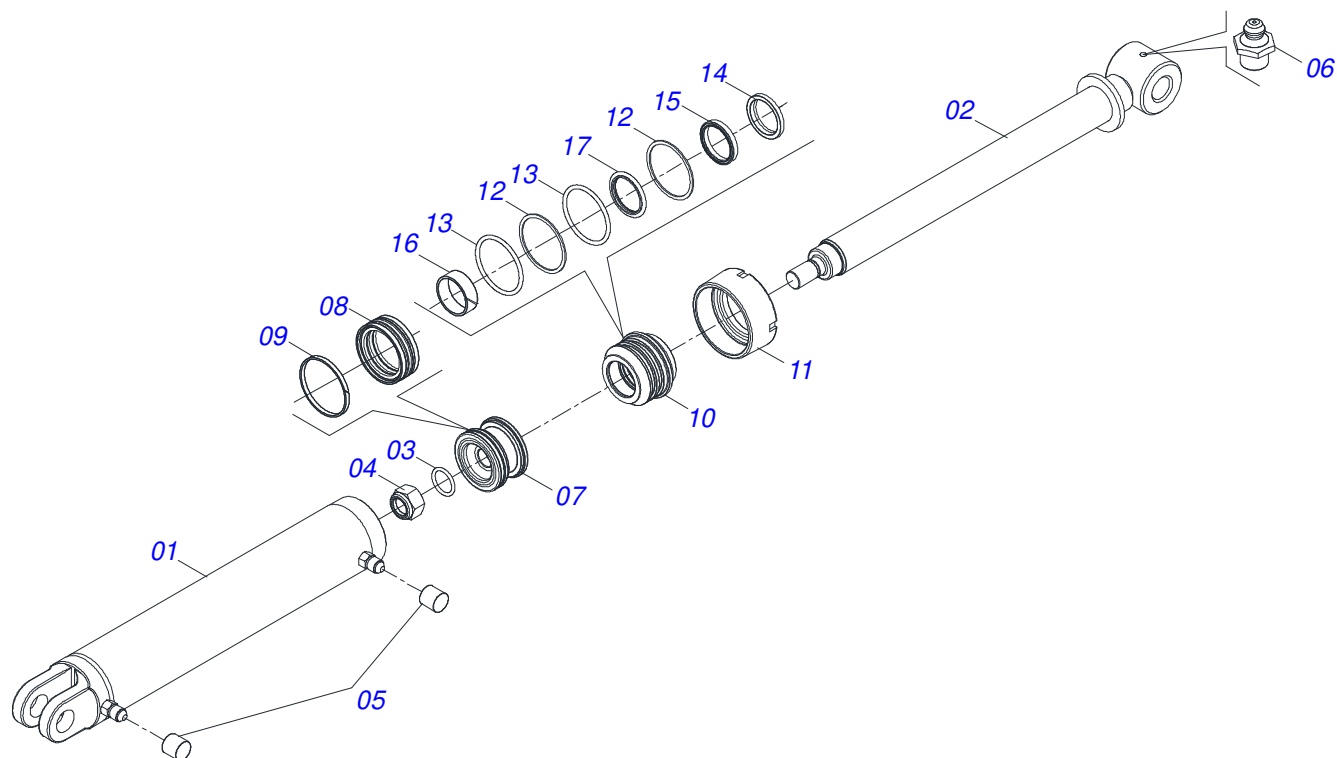
Item	Code	Description	See page	QT
01	0521069165	DRAW BAR		01
02	0521057520	HITCH ASSY	30	01
03	0581015973	1.1/4 UNC X 8 C S G5 SCREW		01
04	0501017779	32 X 60 X 4.75 FLAT WASHER		02
05	0503013026	1.1/4" CASTLE NUT		01
06	0503010010	1/4" X 2.1/2" COTTERPIN		01

HITCH ASSY



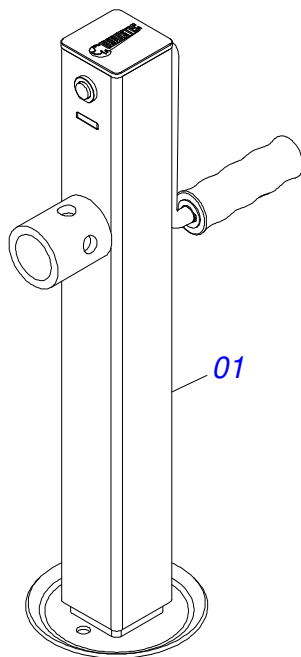
Item	Code	Description	See page	QT
01	0502040880	HITCH BODY		01
02	0502040885	BODY ATTACHMENT		01
03	0591012511	SLEEVE		01
04	0503010002	1800 GREASE FITTING		01
05	0503018829	NYLON CLAMP		01

HYDRAULIC CYLINDER

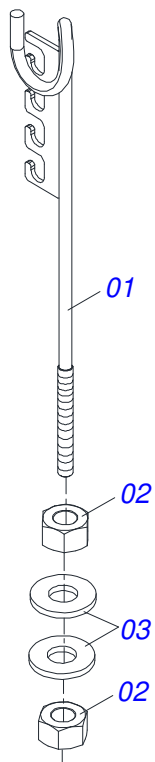


Item	Code	Description	See page	QT
01	0521063982	CYLINDER CASE		01
02	0521067533	50,80 X 697 EXTENSOR		01
03	0503010042	2-214 N 3006-9B O'RING		01
04	0503010063	1" SELF-ALIGNING NUT		01
05	0503030385	CYLINDER PLUG N-002		02
06	0503010002	1800 GREASE FITTING		01
07	0571019710	1.7" X 3.4" PISTON		01
08	0503017935	RING		01
09	0503018144	RING		01
10	0581013228	50,80 X 85,72 SUPPORT RINGS		01
11	0581013227	85,72 MOVE COVER		01
12	0503017940	8-337 BACK-UP RING		02
13	0503017939	2-337 N 3006-9B O' RING		02
14	0503010039	D-2000 SCRAPER RING		01
15	0503018026	1870-2000-375 B GASKET		01
16	0503018025	RING GUIDE		01
17	0503018024	RING BS		01

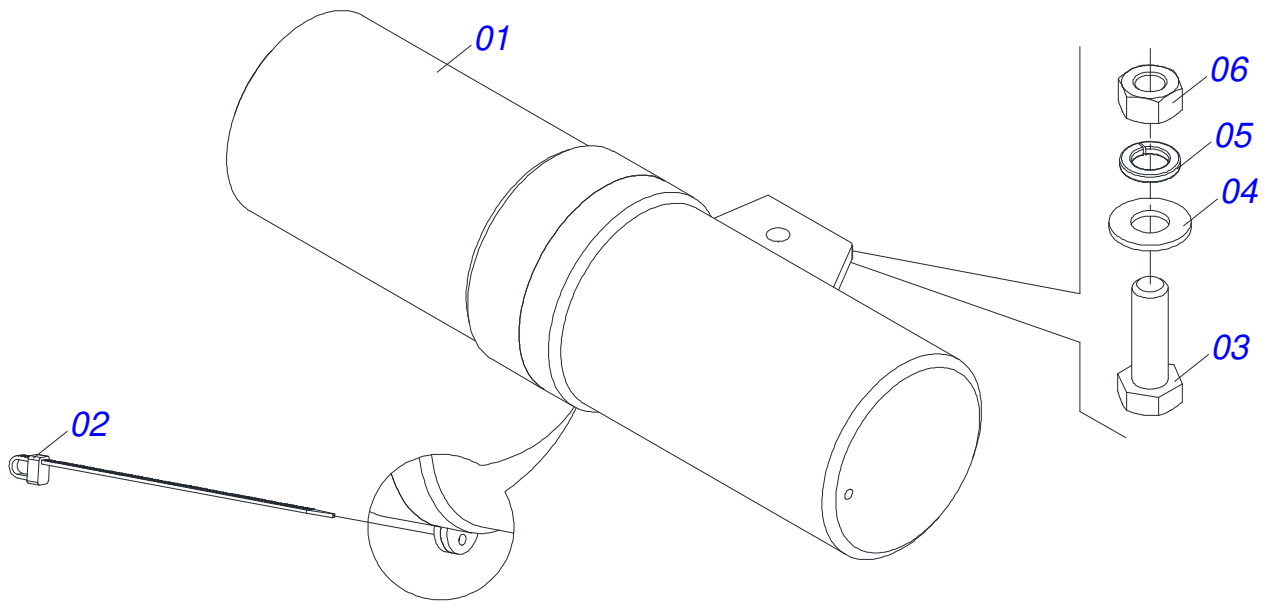
DRAWBAR JACK



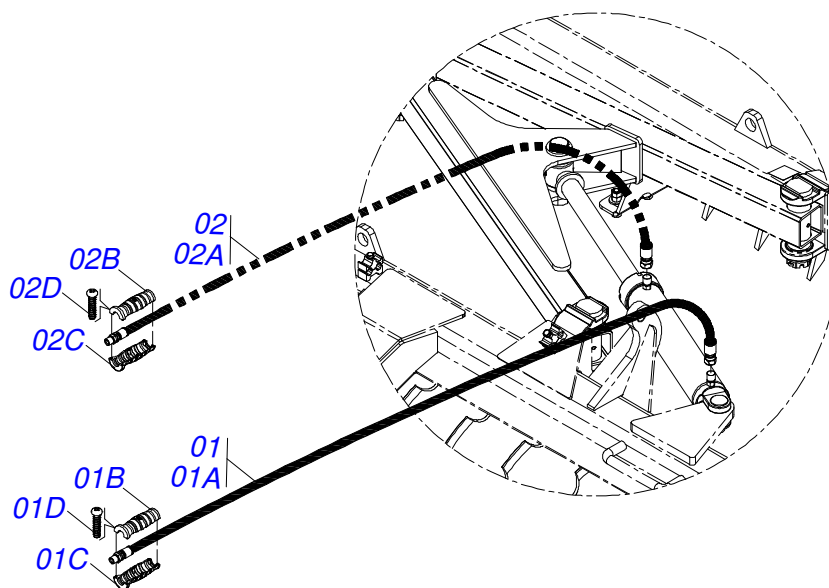
Item	Code	Description	See page	QT
01	0503062157	DRAWBAR JACK	32	01



Item	Code	Description	See page	QT
01	0511067334	HOSE SUPPORT		01
02	0503010014	3/4" HEX NUT		02
03	0501010322	FLAT WASHER		02

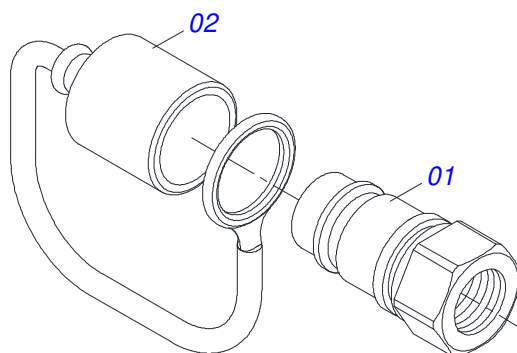


Item	Code	Description	See page	QT
01	0503060100	INSTRUCTIONS MANUAL CANISTER		01
02	0503010267	NYLON CLAMP		01
03	0503010363	BOLT 5/16 UNC X 1 C S G.2 ZN		01
04	0501010694	FLAT WASHER		01
05	0503010179	LOCK WASHER 5/16 ZN 1K01528		01
06	0503010337	5/16" NUT		01

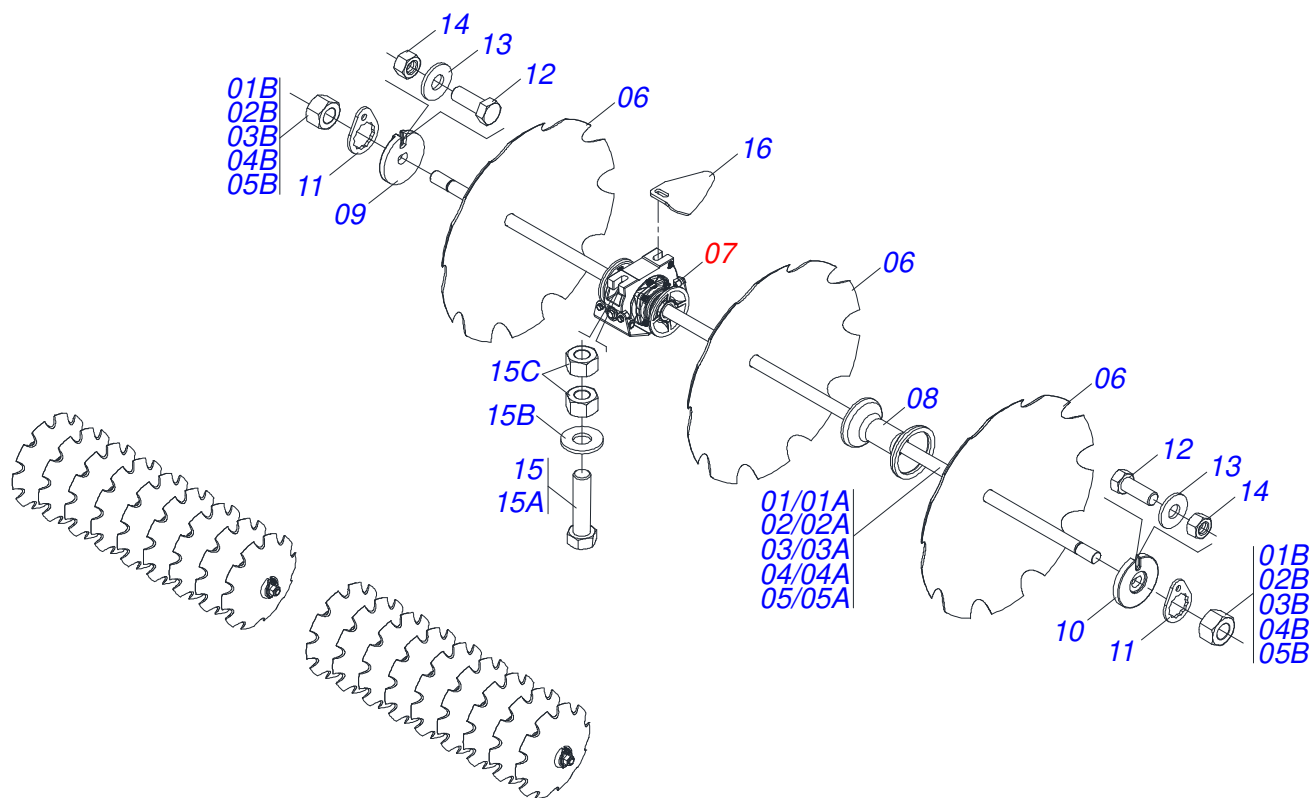


Item	Code	Description	See page	QT
01	0521053413	HOSE 3/8 X 4500 TC-TM PURPLE/RED		01
01A	0501080362	3/8" X 177" TC-TM HOSE		01
01B	0503034491	HYDRAULIC HOSE GRIP (PURPLE)		01
01C	0503034495	HYDRAULIC HOSE GRIP (RED)		01
01D	0503018952	PLASTIC BOLT		06
02	0521053414	HOSE 3/8 X 4500 TC-TM PURPLE/BLUE		01
02A	0501080362	3/8" X 177" TC-TM HOSE		01
02B	0503034491	HYDRAULIC HOSE GRIP (PURPLE)		01
02C	0503034494	HYDRAULIC HOSE GRIP (BLUE)		01
02D	0503018952	PLASTIC BOLT		06

MALE QUICK COUPLER



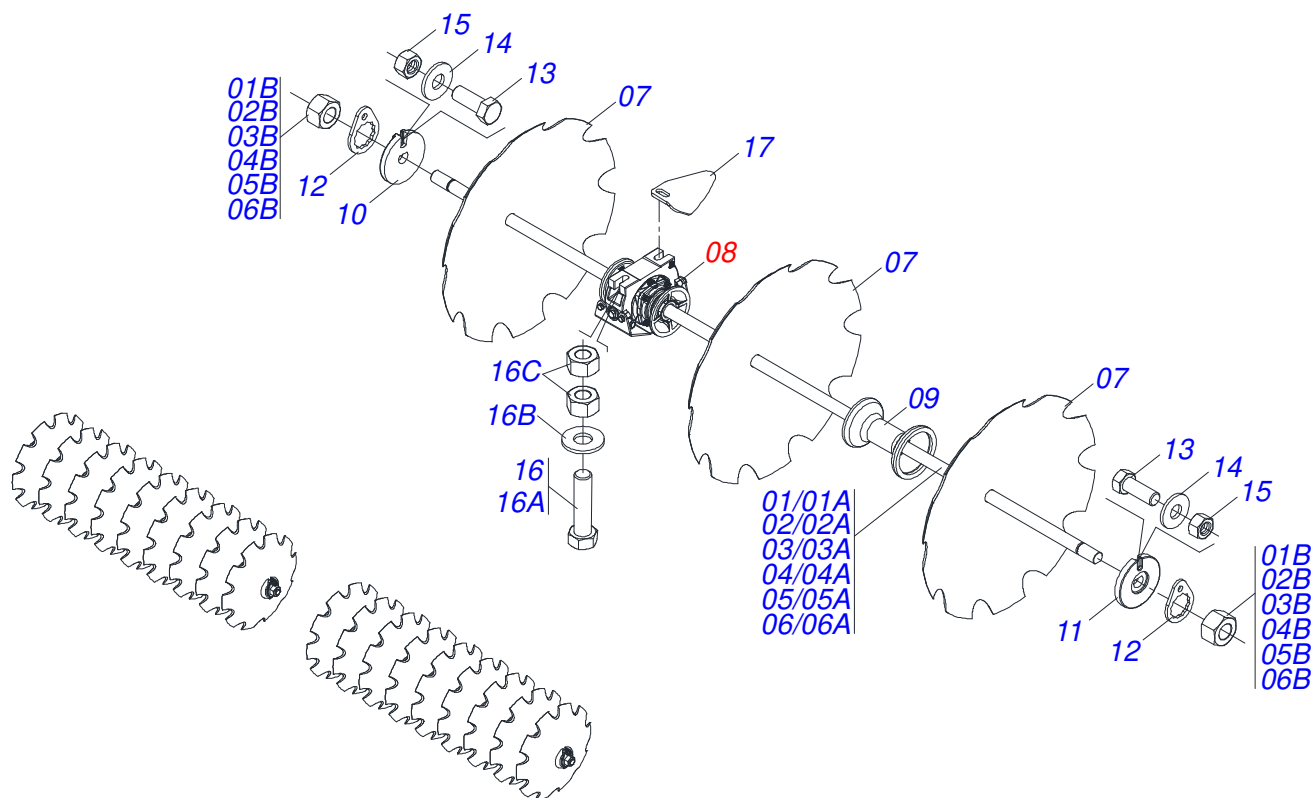
Item	Code	Description	See page	QT
01	0503011627	MALE QUICK COUPLER AGR 1/2 NPT		01
02	0503011882	MALE QUICK COUPLER CAP		01



Item	Code	Description	See page	48	52	56	60	64
01	0521045341	1.1/2 6FPP X 2290 AXLE WITH NUTS		02	00	00	00	00
01A	0511012017	1.1/2 6FPP X 2290 AXLE		02	00	00	00	00
01B	0501810110	1.1/2 NC 6FPP NUT		04	00	00	00	00
02	0511054527	1.1/2 6FPP X 2490 AXLE WITH NUTS		00	02	00	00	00
02A	0531019372	1.1/2 6FPP X 2490 AXLE		00	02	00	00	00
02B	0501810110	1.1/2 NC 6FPP NUT		00	04	00	00	00
03	0511045023	1.1/2 6FPP X 2680 AXLE WITH NUTS		00	00	02	00	00
03A	0551011002	1.1/2 6FPP X 2680 AXLE		00	00	02	00	00
03B	0501810110	1.1/2 NC 6FPP NUT		00	00	04	00	00
04	0501059898	1.1/2 6FPP X 2880 AXLE WITH NUTS		00	00	00	02	00
04A	0561016111	1.1/2 6FPP X 2880 AXLE		00	00	00	02	00
04B	0501810110	1.1/2 NC 6FPP NUT		00	00	00	04	00
05	0531041856	AXLE 1.1/2 UNC 6FPP 3080 WITH NUTS		00	00	00	00	02
05A	0501212048	AXLE 1.1/2 UNC 3080		00	00	00	00	02
05B	0501810110	1.1/2 NC 6FPP NUT		00	00	00	00	04
06	0602027341	DR 20 X 3,5 C57AF02FR1.9/16 10R		24	26	28	30	32
06.	0602027356	DR 20 X 4,5 C57AF02FR1.9/16 10R		24	26	28	30	32
06..	0602029422	DR 22 X 3,5 C64AF02FR1.9/16 10R		24	26	28	30	32
06...	0602029416	DR 22 X 4,5 C64AF02FR1.9/16 10R		24	26	28	30	32
06....	0602030429	DR 24 X 4,5 C66AF02FR1.9/16 10R		24	26	28	30	32
07	0521047187	BEARING	41	06	06	06	06	06
08	0502010627	SPACER		16	18	20	22	24
09	0502010871	1-1/2" EXTERNAL AXLE WASHER		02	02	02	02	02
10	0502010872	1-1/2" INNER AXLE WASHER		02	02	02	02	02
11	0501018592	1.5/8" NUT LOCK		04	04	04	04	04
12	0503011267	5/8 UNC X 1.1/2 C S G.5 ZN BOLT		04	04	04	04	04
13	0501012140	FLAT WASHER		04	04	04	04	04
14	0503012412	5/8" UNC SELF LOCKING NUT		04	04	04	04	04
15	0521059224	SCREW ASSEMBLY		12	12	12	12	12
15A	0501013233	5/8" X 2-3/4" BOLT		12	12	12	12	12
15B	0501012140	FLAT WASHER		12	12	12	12	12



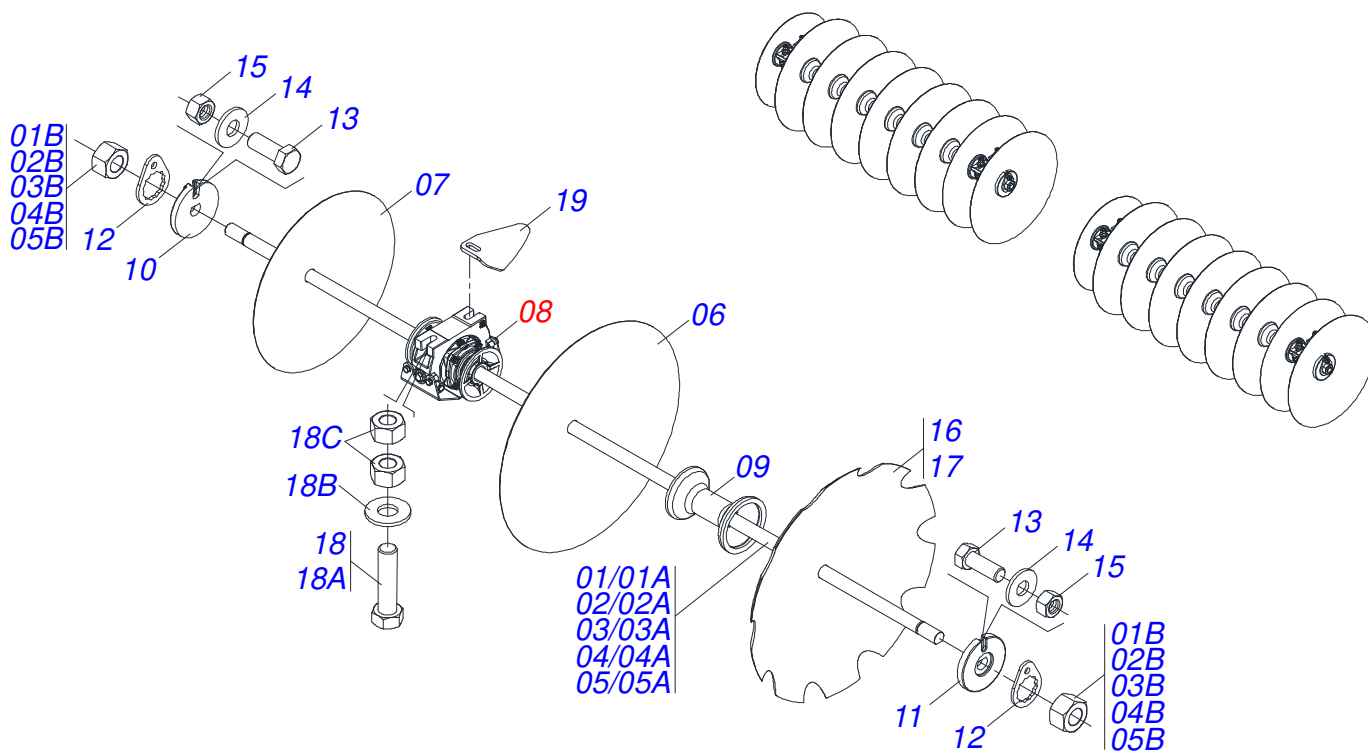
Item	Code	Description	See page	48	52	56	60	64
15C	0503010013	5/8 NUT		24	24	24	24	24
16	0591015195	FRONT SCRAPER		06	06	06	06	06



Item	Code	Description	See page	68	72	76	80	84
01	0531041855	1.1/2 6FPP X 3277 AXLE WITH NUTS		02	00	00	00	00
01A	0501212047	1.1/2 6FPP X 3277 AXLE		02	00	00	00	00
01B	0501810110	1.1/2 NC 6FPP NUT		04	00	00	00	00
02	0521059183	1.1/2 6FPP X 3470 AXLE WITH NUTS		00	02	00	00	00
02A	0591015177	1.1/2 6FPP X 3277 AXLE		00	02	00	00	00
02B	0501810110	1.1/2 NC 6FPP NUT		00	04	00	00	00
03	0501043697	1.1/2 6FPP X 1505 AXLE WITH NUTS		00	00	02	02	02
03A	0511012601	1.1/2 6FPP X 1505 AXLE		00	00	02	02	02
03B	0501810110	1.1/2 NC 6FPP NUT		00	00	04	04	04
04	0511049630	1.1/2 6FPP X 2095 AXLE WITH NUTS		00	00	02	00	00
04A	0561019198	1.1/2 6FPP X 2095 AXLE		00	00	02	00	00
04B	0501810110	1.1/2 NC 6FPP NUT		00	00	04	00	00
05	0521045341	1.1/2 6FPP X 2290 AXLE WITH NUTS		00	00	00	02	00
05A	0511012017	1.1/2 6FPP X 2290 AXLE		00	00	00	02	00
05B	0501810110	1.1/2 NC 6FPP NUT		00	00	00	04	00
06	0511054527	1.1/2 6FPP X 2490 AXLE WITH NUTS		00	00	00	00	02
06A	0531019372	1.1/2 6FPP X 2490 AXLE		00	00	00	00	02
06B	0501810110	1.1/2 NC 6FPP NUT		00	00	00	00	04
07	0602027341	DR 20 X 3,5 C57AF02FR1.9/16 10R		34	36	38	40	42
07.	0602027356	DR 20 X 4,5 C57AF02FR1.9/16 10R		34	36	38	40	42
07..	0602029422	DR 22 X 3,5 C64AF02FR1.9/16 10R		34	36	38	40	42
07...	0602029416	DR 22 X 4,5 C64AF02FR1.9/16 10R		34	36	38	40	42
07....	0602030429	DR 24 X 4,5 C66AF02FR1.9/16 10R		34	36	38	40	42
08	0521047187	BEARING	41	06	06	10	10	10
09	0502010627	SPACER		26	28	24	26	28
10	0502010871	1-1/2" EXTERNAL AXLE WASHER		02	02	04	04	04
11	0502010872	1-1/2" INNER AXLE WASHER		02	02	04	04	04
12	0501018592	1.5/8" NUT LOCK		04	04	08	08	08
13	0503011267	5/8 UNC X 1.1/2 C S G.5 ZN BOLT		04	04	08	08	08
14	0501012140	FLAT WASHER		04	04	08	08	08
15	0503012412	5/8" UNC SELF LOCKING NUT		04	04	08	08	08



Item	Code	Description	See page	68	72	76	80	84
16	0521059224	SCREW ASSEMBLY		12	12	20	20	20
16A	0501013233	5/8" X 2-3/4" BOLT		12	12	20	20	20
16B	0501012140	FLAT WASHER		12	12	20	20	20
16C	0503010013	5/8 NUT		24	24	40	40	40
17	0591015195	FRONT SCRAPER		06	06	10	10	10



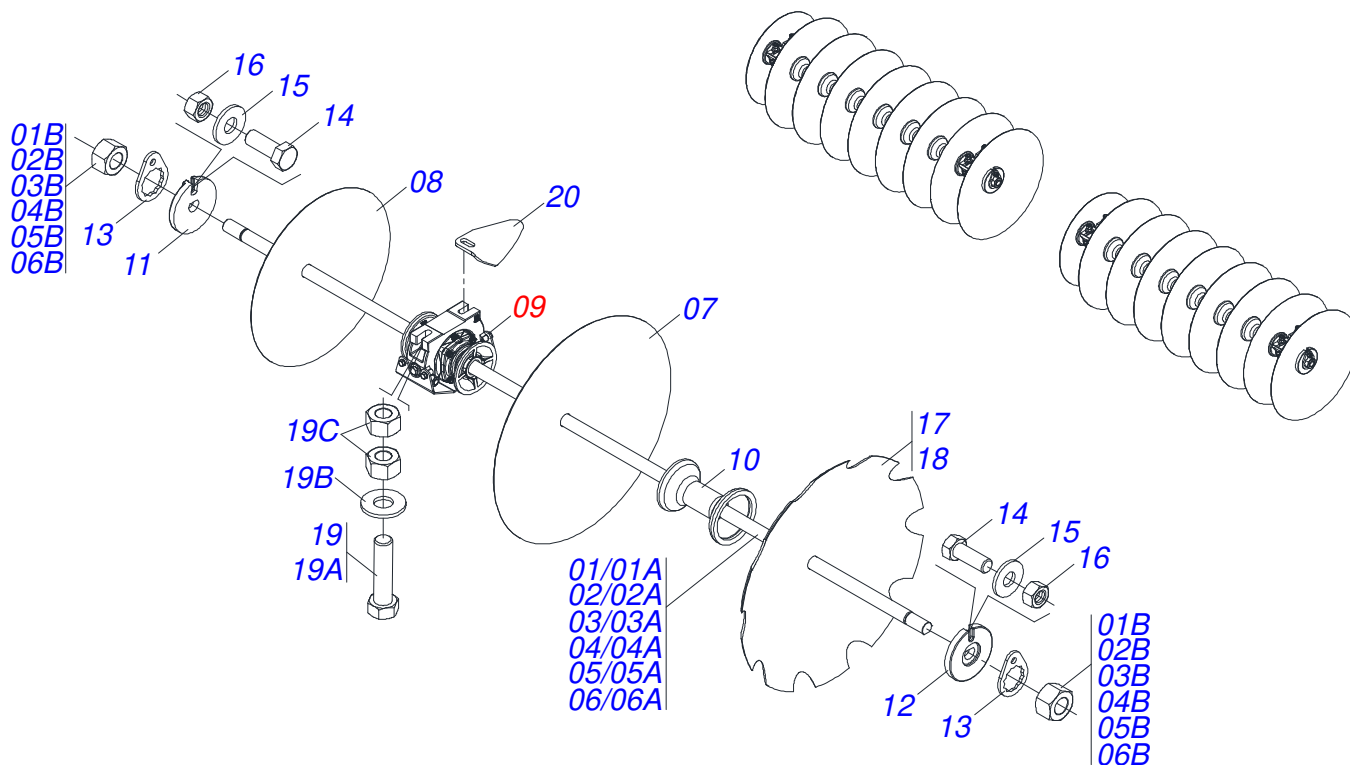
Item	Code	Description	See page	48	52	56	60	64
01	0521045341	1.1/2 6FPP X 2290 AXLE WITH NUTS		02	00	00	00	00
01A	0511012017	1.1/2 6FPP X 2290 AXLE		02	00	00	00	00
01B	0501810110	1.1/2 NC 6FPP NUT		04	00	00	00	00
02	0511054527	1.1/2 6FPP X 2490 AXLE WITH NUTS		00	02	00	00	00
02A	0531019372	1.1/2 6FPP X 2490 AXLE		00	02	00	00	00
02B	0501810110	1.1/2 NC 6FPP NUT		00	04	00	00	00
03	0511045023	1.1/2 6FPP X 2680 AXLE WITH NUTS		00	00	02	00	00
03A	0551011002	1.1/2 6FPP X 2680 AXLE		00	00	02	00	00
03B	0501810110	1.1/2 NC 6FPP NUT		00	00	04	00	00
04	0501059898	1.1/2 6FPP X 2880 AXLE WITH NUTS		00	00	00	02	00
04A	0561016111	1.1/2 6FPP X 2880 AXLE		00	00	00	02	00
04B	0501810110	1.1/2 NC 6FPP NUT		00	00	00	04	00
05	0531041856	AXLE 1.1/2 UNC 6FPP 3080 WITH NUTS		00	00	00	00	02
05A	0501212048	AXLE 1.1/2 UNC 3080		00	00	00	00	02
05B	0501810110	1.1/2 NC 6FPP NUT		00	00	00	00	04
06	0601027302	DL 20 X 3,5 C57AF02FR1.9/16		22	24	26	28	30
06.	0601027299	DL 20 X 4,5 C57AF02FR1.9/16		22	24	26	28	30
06..	0601029419	DL 22 X 3,5 C64AF02FR1.9/16		22	24	26	28	30
06...	0601029413	DL 22 X 4,5 C64AF02FR1.9/16		22	24	26	28	30
06....	0601031134	DL 24 X 4,5 C66AF02FR1.9/16		22	24	26	28	30
07	0601025033	DL 18 X 3,5 C45AF02FR1.9/16		02	02	02	02	02
07.	0601025099	DL 18 X 4,5 C45AFPAFR1.9/16		02	02	02	02	02
07..	0601027302	DL 20 X 3,5 C57AF02FR1.9/16		02	02	02	02	02
07...	0601027299	DL 20 X 4,5 C57AF02FR1.9/16		02	02	02	02	02
07....	0601029419	DL 22 X 3,5 C64AF02FR1.9/16		02	02	02	02	02
07.....	0601029413	DL 22 X 4,5 C64AF02FR1.9/16		02	02	02	02	02
07.....	0601029414	DL 22 X 4,5 C63AF02FR1.9/16		02	02	02	02	02
08	0521047187	BEARING	41	06	06	06	06	06
09	0502010627	SPACER		16	18	20	22	24
10	0502010871	1-1/2" EXTERNAL AXLE WASHER		02	02	02	02	02
11	0502010872	1-1/2" INNER AXLE WASHER		02	02	02	02	02



REAR GANG DISC - 48/52/56/60/64D

0909096555

Item	Code	Description	See page	48	52	56	60	64
12	0501018592	1.5/8" NUT LOCK		04	04	04	04	04
13	0503011267	5/8 UNC X 1.1/2 C S G.5 ZN BOLT		04	04	04	04	04
14	0501012140	FLAT WASHER		04	04	04	04	04
15	0503012412	5/8" UNC SELF LOCKING NUT		04	04	04	04	04
16	0602027341	DR 20 X 3,5 C57AF02FR1.9/16 10R		22	24	26	28	30
16.	0602027356	DR 20 X 4,5 C57AF02FR1.9/16 10R		22	24	26	28	30
16..	0602029422	DR 22 X 3,5 C64AF02FR1.9/16 10R		22	24	26	28	30
16...	0602029416	DR 22 X 4,5 C64AF02FR1.9/16 10R		22	24	26	28	30
16....	0602030429	DR 24 X 4,5 C66AF02FR1.9/16 10R		22	24	26	28	30
17	0602027341	DR 20 X 3,5 C57AF02FR1.9/16 10R		02	02	02	02	02
17.	0602027343	DR 20 X 4,5 C57AF02FR1.9/16 10R		02	02	02	02	02
17..	0602027356	DR 20 X 4,5 C57AF02FR1.9/16 10R		02	02	02	02	02
17...	0602029416	DR 22 X 4,5 C64AF02FR1.9/16 10R		02	02	02	02	02
18	0521059224	SCREW ASSEMBLY		12	12	12	12	12
18A	0501013233	5/8" X 2-3/4" BOLT		12	12	12	12	12
18B	0501012140	FLAT WASHER		12	12	12	12	12
18C	0503010013	5/8 NUT		24	24	24	24	24
19	0591015196	REAR SCRAPER		06	06	06	06	06



Item	Code	Description	See page	68	72	76	80	84
01	0531041855	1.1/2 6FPP X 3277 AXLE WITH NUTS		02	00	00	00	00
01A	0501212047	1.1/2 6FPP X 3277 AXLE		02	00	00	00	00
01B	0501810110	1.1/2 NC 6FPP NUT		04	00	00	00	00
02	0521059183	1.1/2 6FPP X 3470 AXLE WITH NUTS		00	02	00	00	00
02A	0591015177	1.1/2 6FPP X 3277 AXLE		00	02	00	00	00
02B	0501810110	1.1/2 NC 6FPP NUT		00	04	00	00	00
03	0501043697	1.1/2 6FPP X 1505 AXLE WITH NUTS		00	00	02	02	02
03A	0511012601	1.1/2 6FPP X 1505 AXLE		00	00	02	02	02
03B	0501810110	1.1/2 NC 6FPP NUT		00	00	04	04	04
04	0511049630	1.1/2 6FPP X 2095 AXLE WITH NUTS		00	00	02	00	00
04A	0561019198	1.1/2 6FPP X 2095 AXLE		00	00	02	00	00
04B	0501810110	1.1/2 NC 6FPP NUT		00	00	04	00	00
05	0521045341	1.1/2 6FPP X 2290 AXLE WITH NUTS		00	00	00	02	00
05A	0511012017	1.1/2 6FPP X 2290 AXLE		00	00	00	02	00
05B	0501810110	1.1/2 NC 6FPP NUT		00	00	00	04	00
06	0511054527	1.1/2 6FPP X 2490 AXLE WITH NUTS		00	00	00	00	02
06A	0531019372	1.1/2 6FPP X 2490 AXLE		00	00	00	00	02
06B	0501810110	1.1/2 NC 6FPP NUT		00	00	00	00	04
07	0601027302	DL 20 X 3,5 C57AF02FR1.9/16		32	34	36	38	40
07.	0601027299	DL 20 X 4,5 C57AF02FR1.9/16		32	34	36	38	40
07..	0601029419	DL 22 X 3,5 C64AF02FR1.9/16		32	34	36	38	40
07...	0601029404	DL 22 X 3,5 C64AF02FR1.9/16		32	34	36	38	40
07....	0601029413	DL 22 X 4,5 C64AF02FR1.9/16		32	34	36	38	40
07.....	0601031134	DL 24 X 4,5 C66AF02FR1.9/16		32	34	36	38	40
08	0601025033	DL 18 X 3,5 C45AF02FR1.9/16		02	02	02	02	02
08.	0601025099	DL 18 X 4,5 C45AFPAFR1.9/16		02	02	02	02	02
08..	0601027302	DL 20 X 3,5 C57AF02FR1.9/16		02	02	02	02	02
08...	0601027300	DL 20 X 3,5 C57AF02FR1.9/16		02	02	02	02	02
08....	0601027299	DL 20 X 4,5 C57AF02FR1.9/16		02	02	02	02	02
08.....	0601029419	DL 22 X 3,5 C64AF02FR1.9/16		02	02	02	02	02
08.....	0601029413	DL 22 X 4,5 C64AF02FR1.9/16		02	02	02	02	02

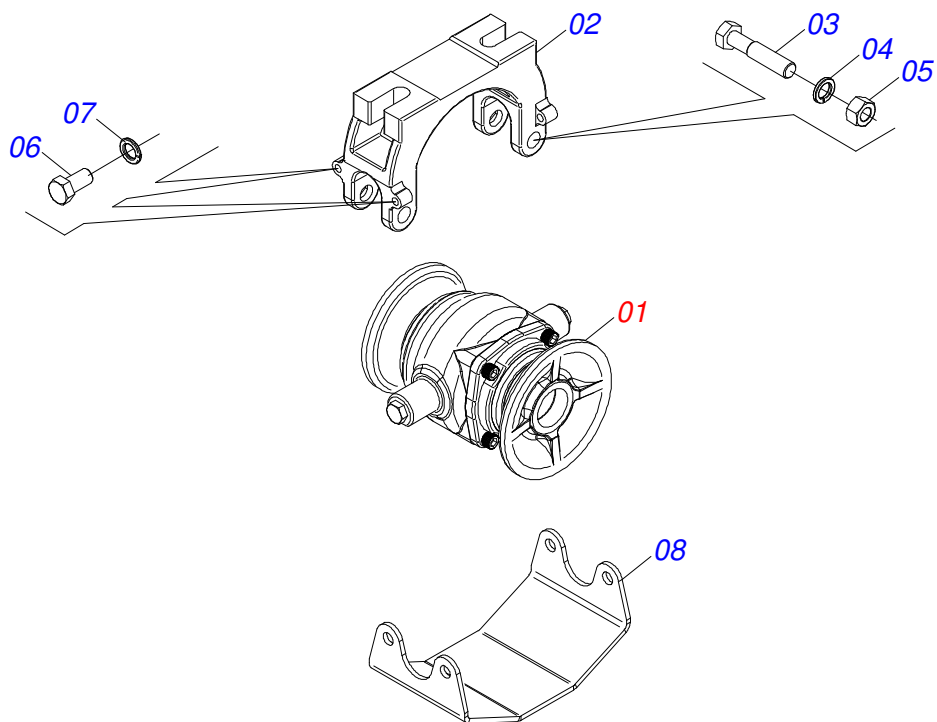


REAR GANG DISC - 68/72/76/80/84D

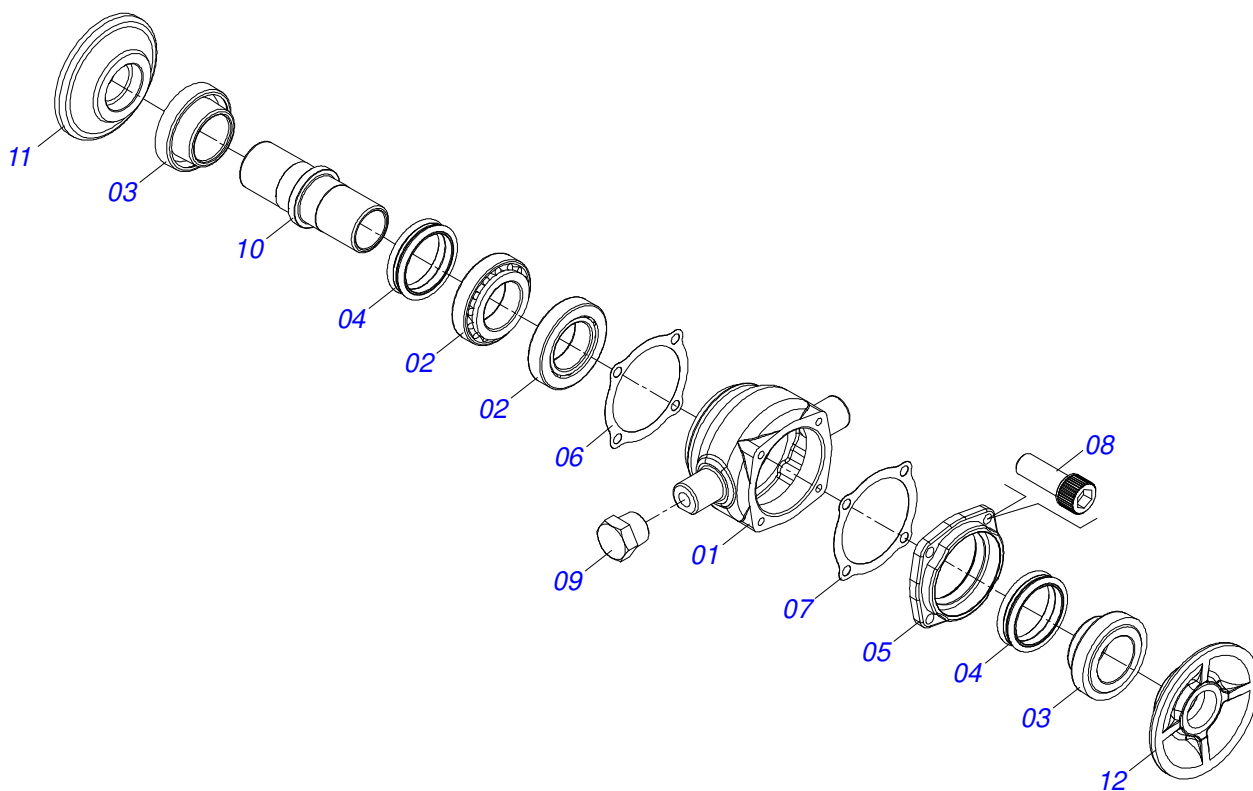
0909096556

Item	Code	Description	See page	68	72	76	80	84
08.....	0601029414	DL 22 X 4,5 C63AF02FR1.9/16		02	02	02	02	02
09	0521047187	BEARING	41	06	06	10	10	10
10	0502010627	SPACER		26	28	24	26	28
11	0502010871	1-1/2" EXTERNAL AXLE WASHER		02	02	04	04	04
12	0502010872	1-1/2" INNER AXLE WASHER		02	02	04	04	04
13	0501018592	1.5/8" NUT LOCK		04	04	08	08	08
14	0503011267	5/8 UNC X 1.1/2 C S G.5 ZN BOLT		04	04	08	08	08
15	0501012140	FLAT WASHER		04	04	08	08	08
16	0503012412	5/8" UNC SELF LOCKING NUT		04	04	08	08	08
17	0602027341	DR 20 X 3,5 C57AF02FR1.9/16 10R		32	34	36	38	40
17.	0602027356	DR 20 X 4,5 C57AF02FR1.9/16 10R		32	34	36	38	40
17..	0602029422	DR 22 X 3,5 C64AF02FR1.9/16 10R		32	34	36	38	40
17...	0602029416	DR 22 X 4,5 C64AF02FR1.9/16 10R		32	34	36	38	40
17....	0602030429	DR 24 X 4,5 C66AF02FR1.9/16 10R		32	34	36	38	40
18	0602027341	DR 20 X 3,5 C57AF02FR1.9/16 10R		02	02	02	02	02
18.	0602027119	DR 20 X 4,5 C57AF02FR1.9/16 10R (D006)		02	02	02	02	02
18..	0602027343	DR 20 X 4,5 C57AF02FR1.9/16 10R		02	02	02	02	02
18...	0602027356	DR 20 X 4,5 C57AF02FR1.9/16 10R		02	02	02	02	02
18....	0602029416	DR 22 X 4,5 C64AF02FR1.9/16 10R		02	02	02	02	02
19	0521059224	SCREW ASSEMBLY		12	12	20	20	20
19A	0501013233	5/8" X 2-3/4" BOLT		12	12	20	20	20
19B	0501012140	FLAT WASHER		12	12	20	20	20
19C	0503010013	5/8 NUT		24	24	40	40	40
20	0591015196	REAR SCRAPER		06	06	10	10	10

BEARING



Item	Code	Description	See page	QT
01	0521050840	SWIVEL OIL BATH BEARING 192,5 X 1.1/2	42	01
02	0502012854	BEARING SUPPORT		01
03	0501011541	5/8" X 3" BOLT		02
04	0503010027	5/8 SPRING WASHER		02
05	0503010013	5/8 NUT		02
06	0503011334	BOLT 3/8 UNC X 3/4 CS G.5 ZN		04
07	0503010025	3/8 SPRING WASHER		04
08	0581014143	SWIVEL OIL BATH BEARING WEAR PLATE		01



Item	Code	Description	See page	QT
01	0502012839	BEARING HOUSING		01
02	0503010006	32210 ROLLER BEARING		02
03	0502010541	SEAL RETAINER		02
04	0503030026	SEAL LP JB-253		02
05	0502020424	HOUSING CAP		01
06	0503030013	4.4" X 3.5" X 0.004" JOINT		02
07	0503030684	4.4" X 3.5" X 0.004" JOINT		01
08	0503010134	3/8" X 1" BOLT		04
09	0503010856	OIL PLUG		02
10	0502040061	AXLE		01
11	0502010605	INNER FLANGE		01
12	0502010604	OUTER FLANGE		01
13	3402301247	MINERAL OIL GREASE		0,13Lts



MARCHESAN

Technical Publications | Elaboration and Revision

LEONARDO JOSÉ DA SILVA SOUZA

www.marchesan.com.br

