

HINGE TYPE OFFSET DISK HARROW

GNCR 28/32/36/40/44/48/52D - (1.1/4" AXLE)

Code: 0501093349
Series: S-0622
Revision: 00
Date Revision: JULHO/2022

PARTS CATALOGUE



MARCHESAN



PRODUCTS

Code	Description
0102300282	GNCR 28 X 20 X 3,50 DR DMO E 1.1/4 S-0622
0102300281	GNCR 28 X 20 X 3,50 MT DMO E 1.1/4 S-0622
0102300280	GNCR 28 X 20 X 4,50 MT DMO E 1.1/4 S-0622
0102300279	GNCR 28 X 22 X 3,50 MT DMO E 1.1/4 S-0622
0102300278	GNCR 28 X 22 X 4,50 DR DMO E 1.1/4 PN11L15 S-0622
0102300277	GNCR 28 X 22 X 4,50 DR DMO E 1.1/4 S-0622
0102300276	GNCR 28 X 22 X 4,50 MT DMO E 1.1/4 S-0622
0102300293	GNCR 32 X 18 X 3,50 MT DMO E 1.1/4 S-0622
0102300292	GNCR 32 X 20 X 3,50 DR DMO E 1.1/4 S-0622
0102300291	GNCR 32 X 20 X 3,50 MT DMO E 1.1/4 S-0622
0102300290	GNCR 32 X 20 X 3,50 MT DMO E 1.1/4 S-0622
0102300289	GNCR 32 X 20 X 4,50 DR DMO E 1.1/4 S-0622
0102300288	GNCR 32 X 20 X 4,50 MT DMO E 1.1/4 S-0622
0102300287	GNCR 32 X 20 X 6,00 MT DMO E 1.1/4 S-0622
0102300286	GNCR 32 X 22 X 3,50 MT DMO E 1.1/4 S-0622
0102300283	GNCR 32 X 22 X 4,50 DL DMO E 1.1/4 S-0622
0102300285	GNCR 32 X 22 X 4,50 DR DMO E 1.1/4 S-0622
0102300284	GNCR 32 X 22 X 4,50 MT DMO E 1.1/4 S-0622
0102300301	GNCR 36 X 20 X 3,50 DR DMO E 1.1/4 PN11L15 S-0622
0102300300	GNCR 36 X 20 X 3,50 DR DMO E 1.1/4 S-0622
0102300299	GNCR 36 X 20 X 3,50 MT DMO E 1.1/4 S-0622
0102300298	GNCR 36 X 22 X 3,50 DR DMO E 1.1/4 S-0622
0102300296	GNCR 36 X 22 X 3,50 MT DMO E 1.1/4 S-0622
0102300295	GNCR 36 X 22 X 4,50 DR DMO E 1.1/4 S-0622
0102300294	GNCR 36 X 22 X 4,50 MT DMO E 1.1/4 S-0622
0102300302	GNCR 36 X 22 X 6,00 DR DMO E 1.1/4 S-0622
0102300303	GNCR 36 X 22 X 6,00 MT DMO E 1.1/4 S-0622
0102300304	GNCR 36 X 24 X 4,75 MT DMO E 1.1/4 S-0622
0102300307	GNCR 40 X 20 X 3,50 DR DMO E 1.1/4 S-0622
0102300306	GNCR 40 X 20 X 3,50 MT DMO E 1.1/4 S-0622

ATTENTION: IMPORTANT

Marchesan S.A. reserves the right to improve and/or modify the technical features of its products, without obligation to do the same with those products already sold and without prior knowledge of the dealer or the consumer. The photos are only illustrative.



PRODUCTS

0102300305	GNCR 40 X 20 X 4,50 MT DMO E 1.1/4 S-0622
0102300309	GNCR 40 X 22 X 3,50 DR DMO E 1.1/4 S-0622
0102300308	GNCR 40 X 22 X 4,50 DL DMO E 1.1/4 S-0622
0102300311	GNCR 40 X 22 X 4,50 DR DMO E 1.1/4 S-0622
0102300310	GNCR 40 X 22 X 4,50 MT DMO E 1.1/4 S-0622
0102300316	GNCR 44 X 20 X 3,50 DR DMO E 1.1/4 PN11L15 S-0622
0102300315	GNCR 44 X 20 X 3,50 MT DMO E 1.1/4 S-0622
0102300314	GNCR 44 X 20 X 4,50 MT DMO E 1.1/4 S-0622
0102300313	GNCR 44 X 22 X 4,50 DR DMO E 1.1/4 S-0622
0102300318	GNCR 44 X 22 X 4,50 MT DMO E 1.1/4 PN11L15 S-0622
0102300317	GNCR 44 X 22 X 4,50 MT DMO E 1.1/4 S-0622
0102300312	GNCR 44 X 22 X 4,50 MT DMO E 1.1/4 S-0622
0102300323	GNCR 48 X 20 X 3,50 MT DMO E 1.1/4 S-0622
0102300322	GNCR 48 X 22 X 4,50 DL DMO E 1.1/4 S-0622
0102300321	GNCR 48 X 22 X 4,50 DR DMO E 1.1/4 S-0622
0102300320	GNCR 48 X 22 X 4,50 MT DMO E 1.1/4 S-0622
0102300328	GNCR 52 X 20 X 4,50 MT DMO E 1.1/4 S-0622

ATTENTION: IMPORTANT

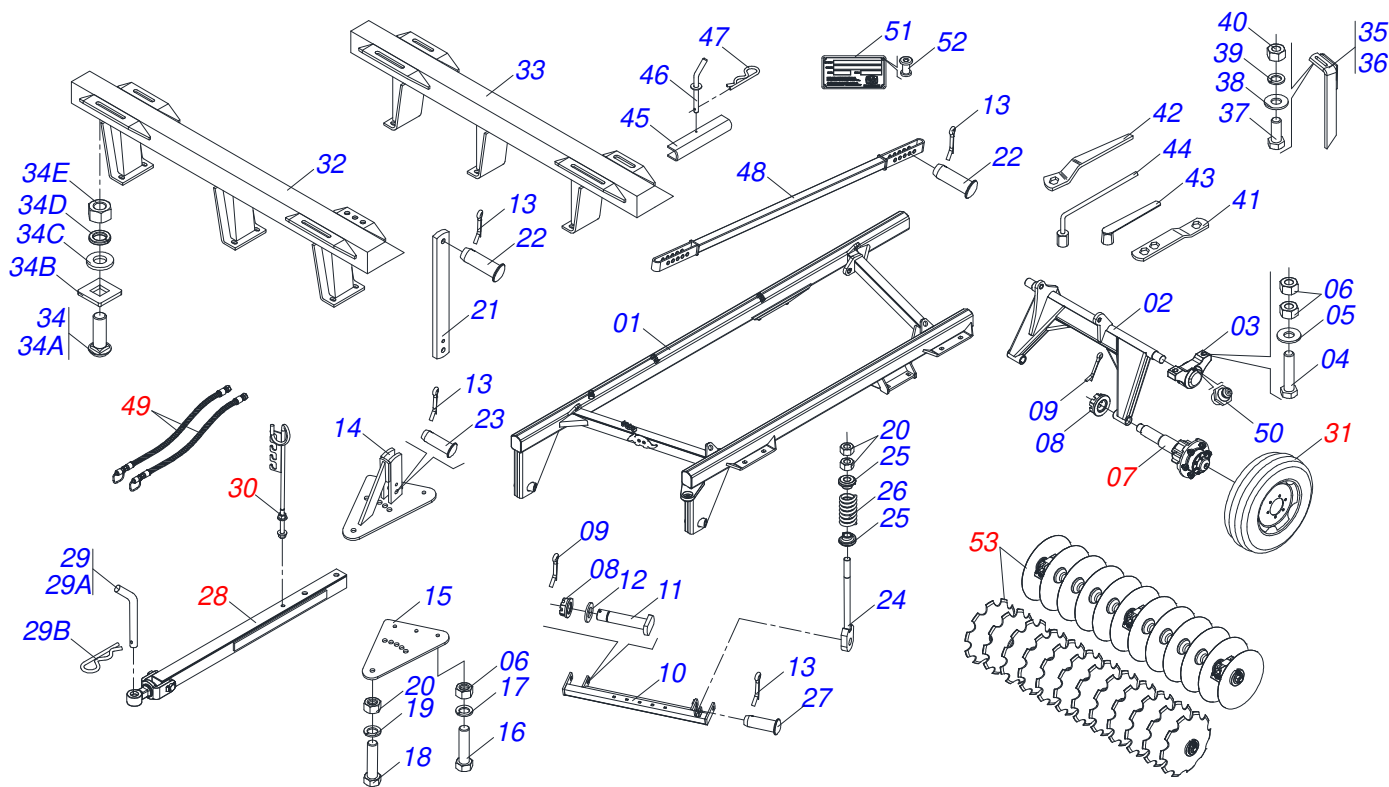
Marchesan S.A. reserves the right to improve and/or modify the technical features of its products, without obligation to do the same with those products already sold and without prior knowledge of the dealer or the consumer. The photos are only illustrative.



MARCHESAN

INDEX

0909096421	ASSY FRAME - 28/32/36/40/44/48/52D	1
0501051634	TSTUB SHAFT & HUB ASSY	2
0501051142	CARRYING WHEEL HUB	3
0501041096	DRAWBAR ASSY	4
0501040257	3/4 X 1200 HOSE HOLDER A	5
0503060091	L29.5"X0.63"-10L WHEEL AND	6
0503060181	WHEEL AND TIRE	7
0909094287	28/32/36/40/44/48/52D - CIRCUIT HYDRAULIQUE	8
0511059180	HYDRAULIC CYLINDER 50,80 X 101,60 X 515 X 203	9
0501053834	MALE QUICK COUPLER	10
0909096422	28/32/36/40/44/48/52D - FRONT AND REAR DISC SECTION	11
0521047189	BEARING 192,5 X 1.1/4 OSC IMP GN	12
0521050842	CHUMACERA 192,5 X 1.1/4 IMP	13



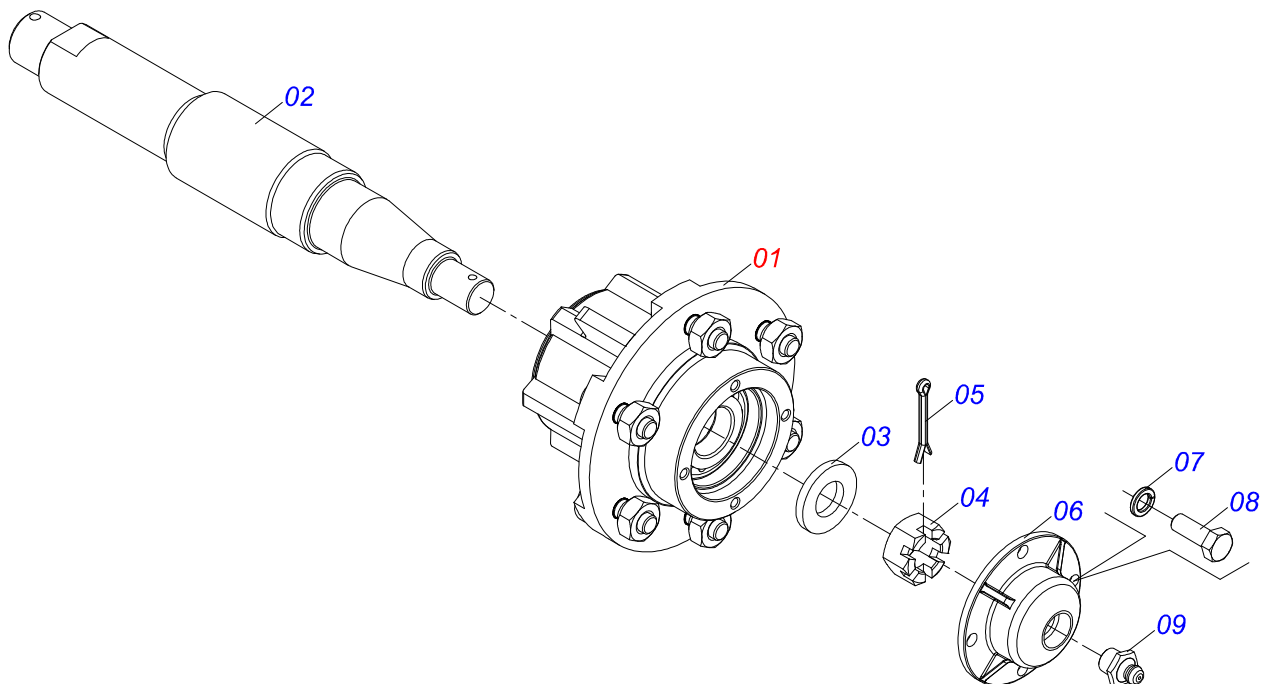
Item	Code	Description	See page	28	32	36	40	44	48	52
01	0521062511	FRAME		01	01	01	01	01	01	01
02	0501065518	CARRYING-WHEELS		01	01	01	01	01	01	01
03	0501110856	ARTICULACION BEARING		02	02	02	02	02	02	02
04	0503010797	3/4" X 4" BOLT		04	04	04	04	04	04	04
05	0501010322	FLAT WASHER		04	04	04	04	04	04	04
06	0503010014	3/4" NUT		11	11	11	11	11	11	11
07	0501051634	TSTUB SHAFT & HUB ASSY	2	02	02	02	02	02	02	02
08	0501011301	1.1/2 UNC 6FPP 2.5/16 NUT		04	04	04	04	04	04	04
09	0503010010	1/4" X 2.1/2" COTTERPIN		04	04	04	04	04	04	04
10	0521062507	HITCH BAR		01	01	01	01	01	01	01
11	0531019497	1.5" X 9.2" ARTICULATED AXIS		02	02	02	02	02	02	02
12	0551012215	FLAT WASHER		02	02	02	02	02	02	02
13	0503010571	1/4" X 1.1/2 COTTERPIN		04	04	04	04	04	04	04
14	0501066099	UPPER PLATE WITH SUPPORT		01	01	01	01	01	01	01
15	0501010241	UPPER /LOWER PLATE		01	01	01	01	01	01	01
16	0503011198	C3/4" X 6" SCREW		03	03	03	03	03	03	03
17	0503011442	3/4" SPRING WASHER		03	03	03	03	03	03	03
18	0501010060	1" X 6-1/2" BOLT		02	02	02	02	02	02	02
19	0503011438	SPRING WASHER		02	02	02	02	02	02	02
20	0501010059	1.5/8 NUT		04	04	04	04	04	04	04
21	0561019346	STABILIZER BAR TOWER		01	01	01	01	01	01	01
22	0521010575	C0.9" X 3.3" COUPLING SHAFT		02	02	02	02	02	02	02
23	0521810576	COUPLING SHAFT		01	01	01	01	01	01	01
24	0501064698	SPRING ROD		01	01	01	01	01	01	01
25	0502020392	SPRING SUPPORT		02	02	02	02	02	02	02
26	0503030441	12.7" X 5.7" X 0.5"SPRING		01	01	01	01	01	01	01
27	0521010592	1.1" X 3.1" COUPLING SHAFT		01	01	01	01	01	01	01
28	0501041096	DRAWBAR ASSY	4	01	01	01	01	01	01	01
29	0501040343	DRAWBOLT ASSY		01	01	01	01	01	01	01
29A	0521010453	AXI SHAFT		01	01	01	01	01	01	01
29B	0503031035	HITCH PIN CLIP		01	01	01	01	01	01	01



ASSY FRAME - 28/32/36/40/44/48/52D

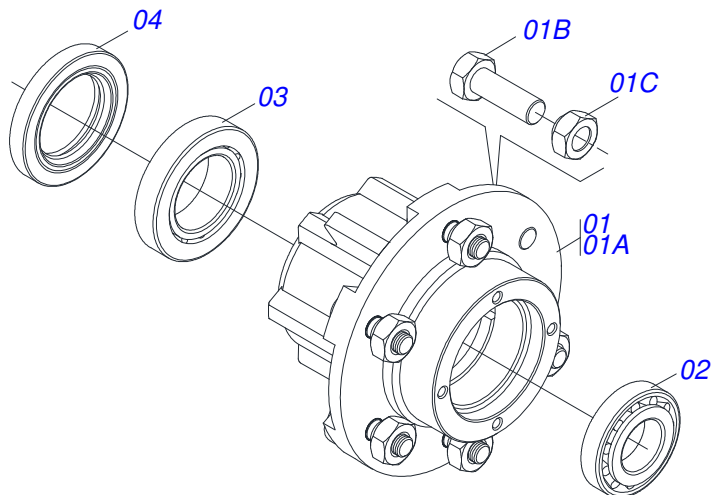
0909096421

Item	Code	Description	See page	28	32	36	40	44	48	52
30	0501040257	3/4 X 1200 HOSE HOLDER A	5	01	01	01	01	01	01	01
31	0503060091	L29.5"X0.63"-10L WHEEL AND	6	02	02	02	02	02	02	02
31.	0503060181	WHEEL AND TIRE	7	02	02	02	02	02	02	02
32	0531064152	FRONT FRAME - 28		01	00	00	00	00	00	00
32.	0501065552	FRONT FRAME - 32		00	01	00	00	00	00	00
32..	0531064183	FRONT FRAME - 36		00	00	01	00	00	00	00
32...	0531064200	FRONT FRAME - 40		00	00	00	01	00	00	00
32....	0531064204	FRONT FRAME - 44		00	00	00	00	01	00	00
32.....	0531064210	FRONT FRAME - 48		00	00	00	00	00	01	00
32.....	0511064726	FRONT FRAME - 52		00	00	00	00	00	00	01
33	0531064154	REAR FRAME - 28		01	00	00	00	00	00	00
33.	0501065557	REAR FRAME - 32		00	01	00	00	00	00	00
33..	0531064186	REAR FRAME - 36		00	00	01	00	00	00	00
33...	0531064202	REAR FRAME - 40		00	00	00	01	00	00	00
33....	0531064206	REAR FRAME - 44		00	00	00	00	01	00	00
33.....	0531064212	REAR FRAME - 48		00	00	00	00	00	01	00
33.....	0511064727	REAR FRAME - 52		00	00	00	00	00	00	01
34	0501040877	C1" X 3-1/4" ASSY BOLT		08	08	08	08	08	08	08
34A	0501010171	BOLT 1 UNC X 3.1/2 C S G.5		08	08	08	08	08	08	08
34B	0502012861	1" SQUARE WASHER		08	08	08	08	08	08	08
34C	0501010065	1" SPRING WASHER		08	08	08	08	08	08	08
34D	0503010012	1" SPRING WASHER		08	08	08	08	08	08	08
34E	0501010059	1.5/8 NUT		08	08	08	08	08	08	08
35	0501063963	FRONT SCRAPER		10	11	13	14	16	17	19
36	0501063962	REAR SCRAPER		10	11	13	14	16	17	19
37	0503011082	C1/2" X 1.3/4" SCREW		40	44	52	56	64	68	76
38	0511017302	FLAT WASHER		40	44	52	56	64	68	76
39	0503010019	1/2" SPRING WASHER		40	44	52	56	64	68	76
40	0503010060	1/2" NUT		40	44	52	56	64	68	76
41	0511018451	5/8" X 3/4" X 1" UNIVERSAL		01	01	01	01	01	01	01
42	0501011432	1-1/2" AND 1-5/8 GANG BOLT WRENCH		02	02	02	02	02	02	02
43	0501061617	1" GANG BOLT WRENCH		01	01	01	01	01	01	01
44	0501068273	5/8" WRENCH		01	01	01	01	01	01	01
45	0511010839	TRANSPORT LOCK 7.9" X 2.1" X 0.4"		01	01	01	01	01	01	01
46	0501068994	8,30 X 78 LOCK PIN		01	01	01	01	01	01	01
47	0503030168	HITCH PIN CLIP		01	01	01	01	01	01	01
48	0501064696	STABILIZER BAR		01	01	01	01	01	01	01
49	0909094287	28/32/36/40/44/48/52D - CIRCUIT HYDRAULIQUE	8	01	01	01	01	01	01	01
50	0503010002	1800 GREASE FITTING		04	04	04	04	04	04	04
51	0503034003	SERIAL NUMBER TAG 61 X 118		01	01	01	01	01	01	01
52	0503010001	3.2 X 5.5 RIVET		04	04	04	04	04	04	04
53	0909096422	28/32/36/40/44/48/52D - FRONT AND REAR DISC SECTION	11	01	01	01	01	01	01	01



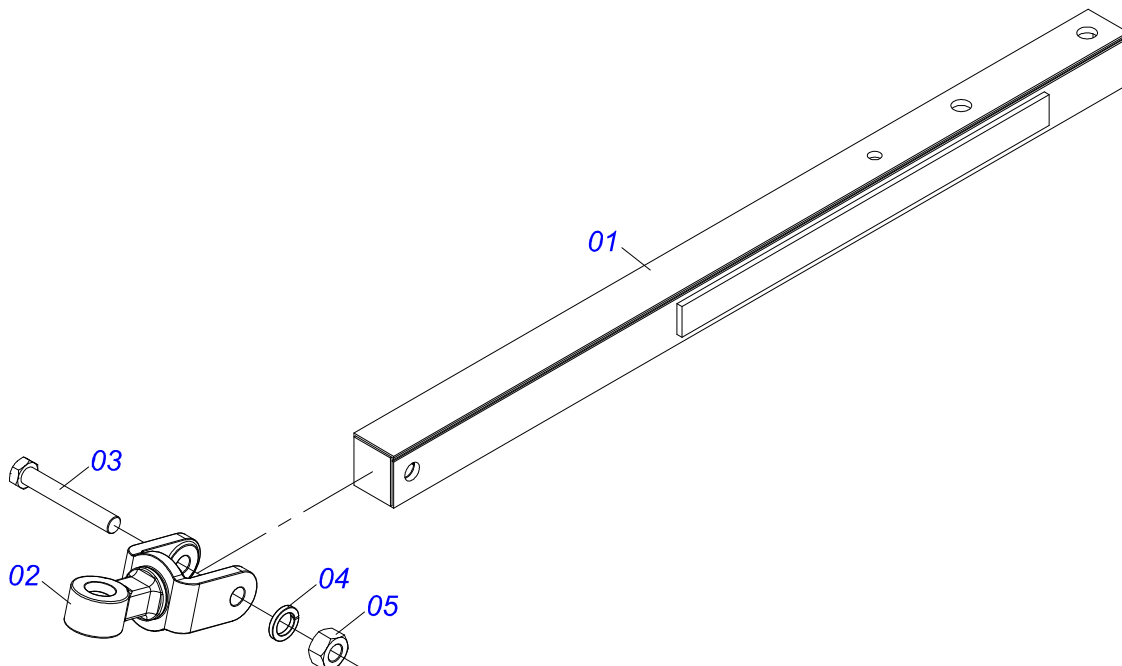
Item	Code	Description	See page	QT
01	0501051142	CARRYING WHEEL HUB	3	01
02	0521010821	2.5" X 16.5" AXLE		01
03	0501016545	FLAT WASHER		01
04	0503030009	1" CASTLE NUT		01
05	0503010018	5/32 X 1-1/2 COTTERPIN		01
06	0502020591	PROTECCION COVER		01
07	0503011444	SPRING WASHER		04
08	0503010358	5/16" X 5/8" BOLT		04
09	0503010002	1800 GREASE FITTING		01

CARRYING WHEEL HUB

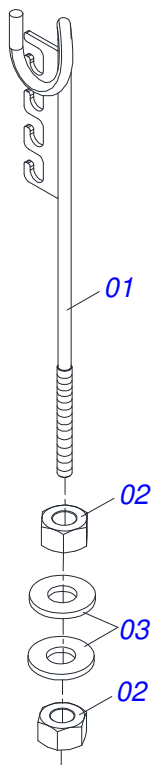


Item	Code	Description	See page	QT
01	0501110728	WHEEL HUB		01
01A	0502011121	CARRYING WHEEL HUB		01
01B	0501010127	9/16" X 1-7/8" LUG BOLT		06
01C	0503010035	9/16" CONIC NUT		06
02	0503010037	30207 ROLLER BEARING		01
03	0503010006	32210 ROLLER BEARING		01
04	0503012928	SEAL		01

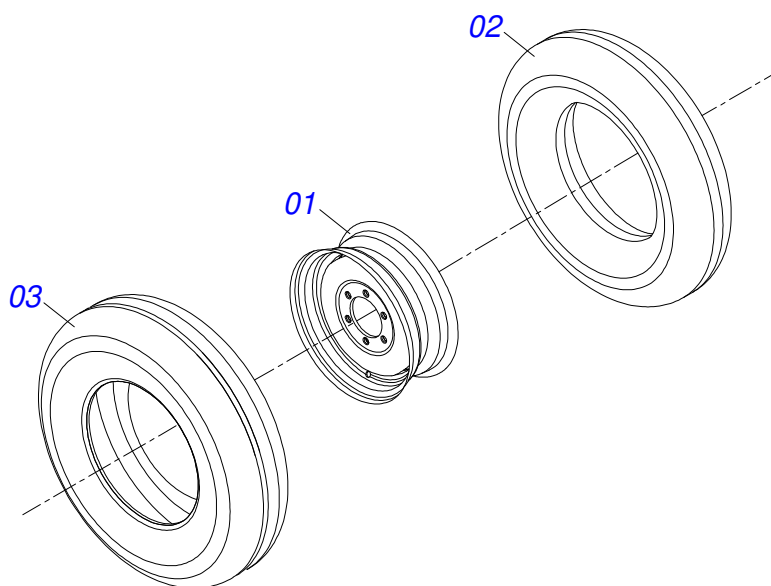
DRAWBAR ASSY



Item	Code	Description	See page	QT
01	0501060188	DRAWBAR ASSY		01
02	0521061775	TRACTOR HITCH		01
03	0501010060	1" X 6-1/2" BOLT		01
04	0503011438	SPRING WASHER		01
05	0501010059	1.5/8 NUT		01

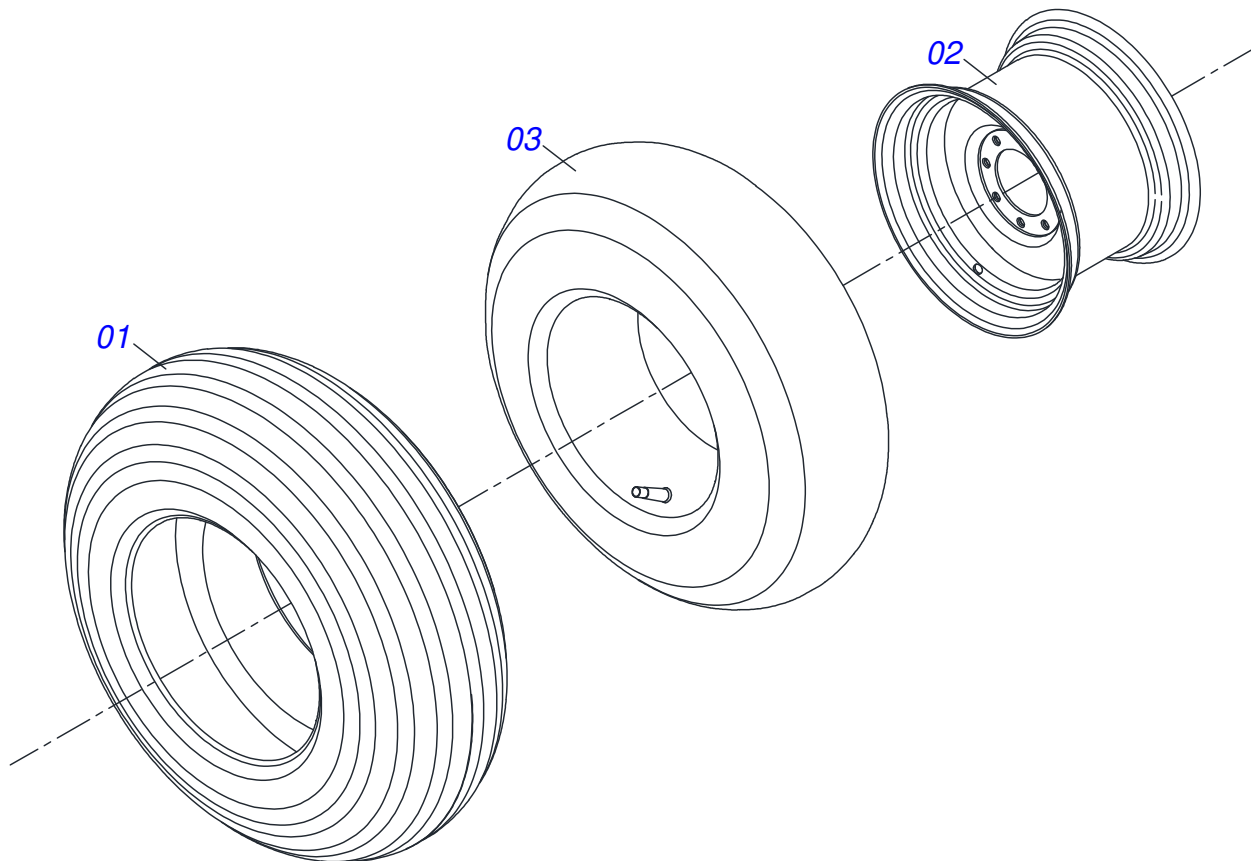


Item	Code	Description	See page	QT
01	0511067334	HOSE SOPPORT ASSY		01
02	0503010014	3/4" NUT		02
03	0501010322	FLAT WASHER		02

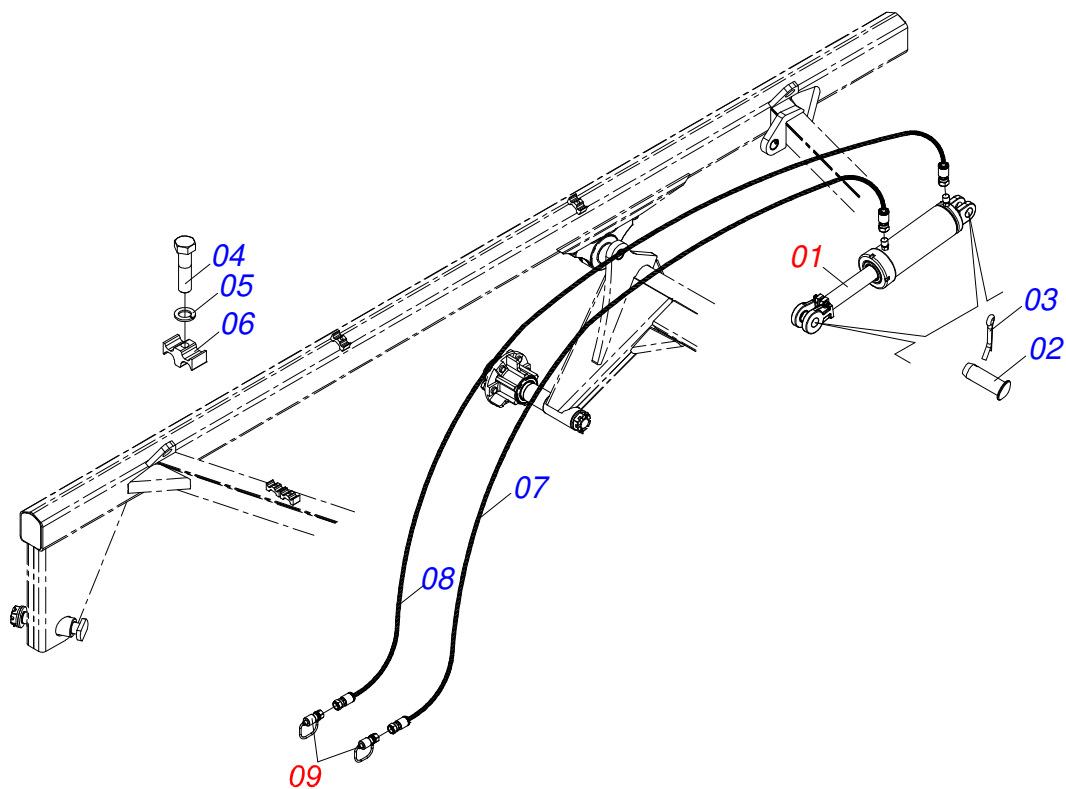


Item	Code	Description	See page	QT
01	0503010893	WHEEL		01
02	0503010033	7.50 X 16 INNER TIRE		01
03	0503010120	CANVAS TIRE		01

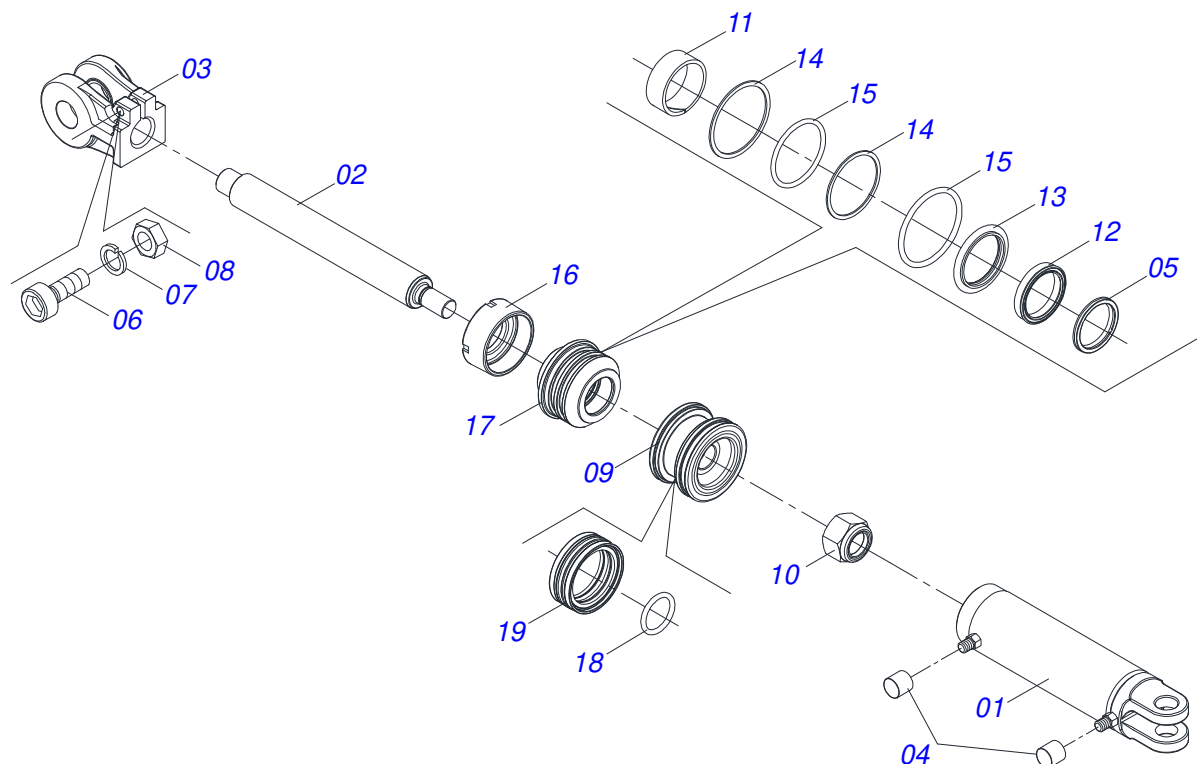
WHEEL AND TIRE



Item	Code	Description	See page	QT
01	0503010858	CANVAS TIRE		01
02	0503011468	WEEL		01
03	0503010860	AIR CHAMBER 11L 15		01

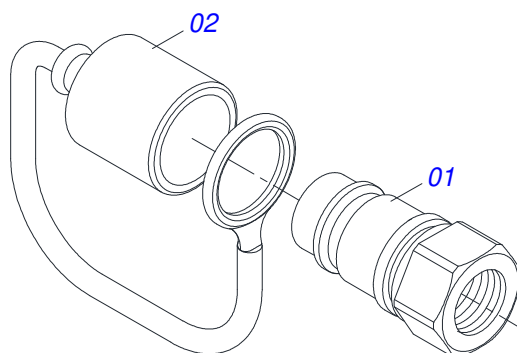


Item	Code	Description	See page	QT
01	0511059180	HYDRAULIC CYLINDER 50,80 X 101,60 X 515 X 203	9	01
02	0521012538	1.2" X 3.5" COUPLING SHAFT		02
03	0503010571	1/4" X 1.1/2 COTTERPIN		02
04	0503012555	SCREW 7/16 UNC X 2 CS RT G.7 ZN		04
05	0503010180	7/16" SPRING WASHER		04
06	0502012702	BODY SUPPORT CLAMP		04
07	0501080421	3/8" X 230" TR-TM HOSE		01
08	0501080443	3/8 X 6000 TR-TM HOSE		01
09	0501053834	MALE QUICK COUPLER	10	02

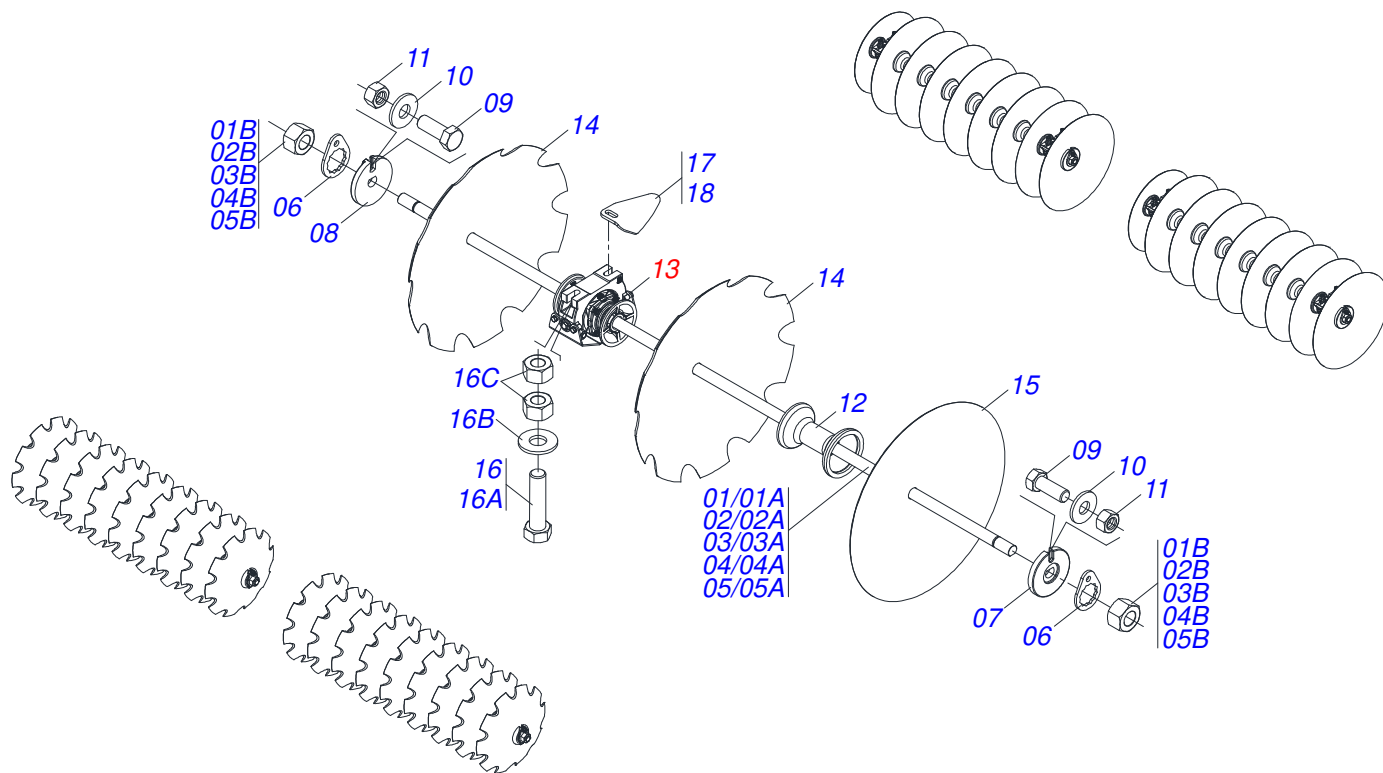


Item	Code	Description	See page	QT
01	0511070658	CYLINDER CASE		01
02	0571019958	HYDRAULIC CYLINDER TURNBUCKLE		01
03	0502040747	32.54 CLEVIS CLAMP		01
04	0503030385	CYLINDER PLUG N-002		02
05	0503010039	D-2000 SCRAPER RING		01
06	0503011094	3/8" X 2" BOLT		01
07	0503011443	3/8" SPRING WASHER		01
08	0503010026	3/8" NUT		01
09	0502012820	50.80 X 101.60 PISTON		01
10	0503010817	1.1/4" SELF LOCKING NUT		01
11	0503018025	RING GUIDE		01
12	0503018026	1870-2000-375 B GASKET		01
13	0503018024	RING BS		01
14	0503010338	2-342 N 3006-9B O-RING		02
15	0503011061	8-342 BACK-UP RING		02
16	0502012822	101.60 END CAP		01
17	0502012821	50.80 X 101.60 RING SUPPORT		01
18	0503018029	2-217 O-RING		01
19	0503015633	SELEMASTER SEALING		01

MALE QUICK COUPLER



Item	Code	Description	See page	QT
01	0503011627	MALE QUICK COUPLER AGR 1/2 NPT		01
02	0503011882	MALE QUICK COUPLER CAP		01



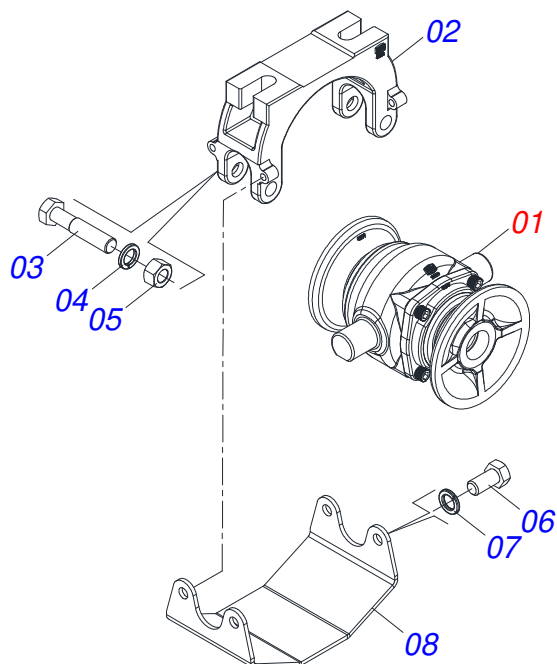
Item	Code	Description	See page	28	32	36	40	44	48	52
01	0531042510	1.1/4 X 2670 AXLE WITH NUTS		02	00	00	00	02	00	00
01A	0501214593	1.1/4 X 2670 AXLE		02	00	00	00	02	00	00
01B	0501010087	1.1/4" NUT		04	00	00	00	04	00	00
02	0501042942	1-1/4" X 58" AXLE WITH NUTS		00	04	00	02	02	00	00
02A	0501017379	1-1/4" X 58" AXLE		00	04	00	02	02	00	00
02B	0501010087	1.1/4" NUT		00	08	00	04	04	00	00
03	0501040694	1-1/4" X 66" AXLE WITH NUTS		00	00	04	00	00	00	00
03A	0501010439	1-1/4" X 66" AXLE		00	00	04	00	00	00	00
03B	0501010087	1.1/4" NUT		00	00	08	00	00	00	00
04	0501042965	1-1/4" X 89" AXLE WITH NUTS		00	00	00	02	00	04	00
04A	0501017354	1-1/4" X 89" AXLE		00	00	00	02	00	04	00
04B	0501010087	1.1/4" NUT		00	00	00	04	00	08	00
05	0511046089	AXLE 1.1/4 X 2470 WITH NUT		00	00	00	00	00	00	04
05A	0511011406	1.1/4 X 2470 AXLE		00	00	00	00	00	00	04
05B	0501010087	1.1/4" NUT		00	00	00	00	00	00	08
06	0501010455	1.1/4" NUT LOCK		04	08	08	08	08	08	08
07	0502010834	1-1/4" INNER AXLE WASHER		02	04	04	04	04	04	04
08	0502010835	1-1/4" EXTERNAL AXLE WASHER		02	04	04	04	04	04	04
09	0503010395	1/2" X 1-1/4" BOLT		04	08	08	08	08	08	08
10	0501010937	13,50 X 28 X 3,00 FLAT WASHER		04	08	08	08	08	08	08
11	0503011336	1/2" HEX SELF ADJUSTING NUT		04	08	08	08	08	08	08
12	0502010549	7.6" X 1-1/4" SPACER		20	20	24	26	30	32	36
13	0521047189	BEARING 192,5 X 1.1/4 OSC IMP GN	12	06	08	08	10	10	12	12
14	0602025259	DR 18 X 3 C45AF02FR1.5/16 9R		00	02	02	02	02	00	00
14.	0602025261	DR 18 X 3,5 C45AF02FR1.5/16 9R		02	16	00	00	00	00	00
14...	0602025262	DR 18 X 4,5 C45AF02FR1.5/16 9R		00	02	00	00	00	00	00
14...	0602025251	DR 18 X 3,5 C45AF02FC31,75 D247 9R		02	16	00	00	00	00	00
14....	0602027340	DR 20 X 3,5 C57AF02FR1.5/16 10R		26	30	34	38	42	24	02
14.....	0602027342	DR 20 X 4,5 C57AF02FR1.5/16 10R		14	30	02	20	22	00	26
14.....	0602027347	DR 20 X 6 C57AF02FR1.5/16 10R		00	16	00	00	00	00	00
14.....	0602029420	DR 22 X 3,5 C64AF02FR1.5/16 D126 10R		14	16	34	38	00	00	50



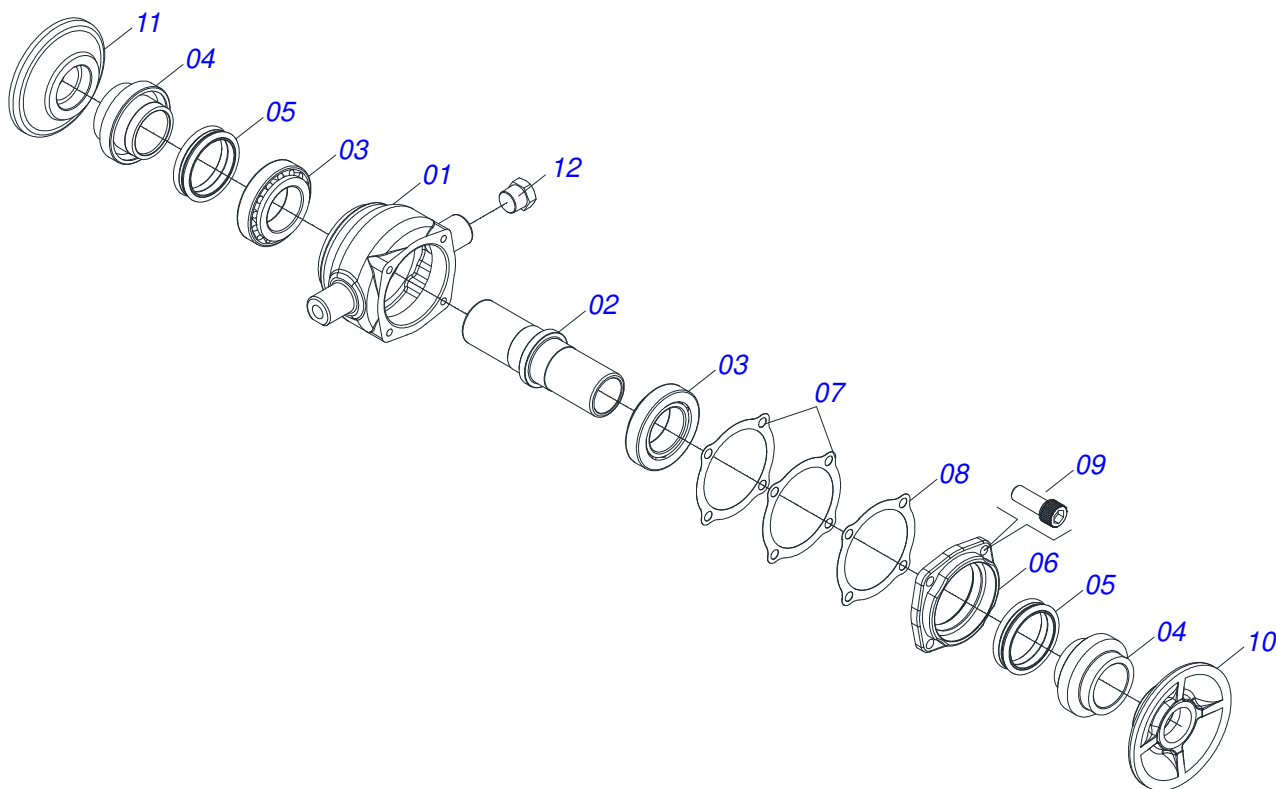
28/32/36/40/44/48/52D - FRONT AND REAR DISC SECTION

0909096422

Item	Code	Description	See page	28	32	36	40	44	48	52
14.....	0602029421	DR 22 X 4,5 C64AF02FR1.5/16 10R		26	30	34	38	22	46	26
14.....	0602029423	DR 22 X 6 C64AF02FR1.5/16 10R		00	00	34	00	00	00	00
14.....	0602030336	DR 24 X 4,75 C76AF02FR1.5/16 10R		00	00	18	00	00	00	00
15	0601025251	DL 18 X 3,5 C45AF02FR1.5/16		00	00	02	02	02	02	02
15.	0601025252	DL 18 X 4,5 C45AF02FR1.5/16		02	00	00	00	00	00	00
15..	0601025253	DL 18 X 6 C45AF02FR1.5/16		00	02	00	00	00	00	00
15...	0601027301	DL 20 X 3,5 C57AF02FR1.5/16		12	14	16	18	20	22	00
15....	0601027304	DL 20 X 4,5 C57AF02FR1.5/16		12	14	02	18	20	00	24
15.....	0601027312	DL 20 X 6 C57AF02FR1.5/16		00	14	00	00	00	00	00
15.....	0601029418	DL 22 X 3,5 C64AF02FR1.5/16 D126		12	14	16	00	00	00	00
15.....	0601029417	DL 22 X 4,5 C64AF02FR1.5/16		12	14	16	38	20	46	24
15.....	0601029422	DL 22 X 4,5 C64AF02FR1.5/16		00	30	00	00	00	00	00
15.....	0601029420	DL 22 X 4,75 C64AF02FR1.5/16 D126		00	00	02	00	00	00	00
15.....	0601031042	DL 24 X 4,75 C76AF02FR1.5/16		00	00	16	00	00	00	00
16	0521059224	SCREW ASSEMBLY		12	16	16	20	20	24	24
16A	0501013233	5/8" X 2-3/4" BOLT		12	16	16	20	20	24	24
16B	0501012140	FLAT WASHER		12	16	16	20	20	24	24
16C	0503010013	5/8" NUT		24	32	32	40	40	48	48
17	0591015195	FRONT SCRAPER		03	04	04	05	05	06	06
18	0591015196	REAR SCRAPER		03	04	04	05	05	06	06



Item	Code	Description	See page	QT
01	0521050842	CHUMACERA 192,5 X 1.1/4 IMP	13	01
02	0502012854	BEARING SUPPORT		01
03	0501011541	5/8" X 3" BOLT		02
04	0503010027	5/8" SPRING WASHER		02
05	0503010013	5/8" NUT		02
06	0503011334	BOLT 3/8 UNC X 3/4 CS G.5 ZN		04
07	0503010025	3/8" SPRING WASHER		04
08	0581014143	SWIVEL OIL BATH BEARING WEAR PLATE		01



Item	Code	Description	See page	QT
01	0502012839	BEARING HOUSING		01
02	0502040060	AXLE CM/DM 182/192,5 SKF 32210		01
03	0503010006	32210 ROLLER BEARING		02
04	0502010541	SEAL RETAINER		02
05	0503030026	SEAL LP JB-253		02
06	0502020424	HOUSING CAP		01
07	0503030013	4.4" X 3.5" X 0.004" JOINT		02
08	0503030684	4.4" X 3.5" X 0.004" JOINT		01
09	0503010134	3/8" X 1" BOLT		04
10	0502010070	OUTER FLANGE		01
11	0502010071	INNER FLANGE		01
12	0503010856	OIL PLUG		02
13	3402301247	MINERAL OIL GREASE		00



ANNOTATION



A series of horizontal lines for writing, spaced evenly down the page.





MARCHESAN

Technical Publications | Elaboration and Revision

LEONARDO JOSÉ DA SILVA SOUZA

www.marchesan.com.br

