

**HINGE TYPE OFFSET DISK HARROW**

**GNCR 28/32/36/40/44/48/52/56/60/64D - (1.1/2" AXLE)**  
**GNCR 28/32/36/40/44/48/52/56/60/64D - (EIXO 1.1/2")**

**Code:** 0501093344  
**Series:** S-0622  
**Revision:** 00  
**Revision Date:** JULY/2022

# PARTS CATALOGUE



**MARCHESAN**



# PRODUCTS

Code	Working Width	Description
0102300245		GNCR 28 X 24 X 4,75 DR DMO E 1.1/2 S-0622
0102300242		GNCR 32X22X4,50 MT DMO E 1.1/2 S-0622
0102300247		GNCR 36X22X4,50 MT DMO E 1.1/2 S-0622
0102300246		GNCR 36X24X4,75 MT DMO E 1.1/2 PN11L15 S-0622
0102300248		GNCR 40X20X3,50 MT DMO E 1.1/2 S-0622
0102300249		GNCR 40X22X4,50 MT DMO E 1.1/2 S-0622
0102300250		GNCR 40X24X4,75 DR DMO E 1.1/2 S-0622
0102300251		GNCR 44X20X3,50 DR DMO E 1.1/2 S-0622
0102300254		GNCR 44X22X4,50 MT DMO E 1.1/2 S-0622
0102300253		GNCR 44X24X4,75 DR DMO E 1.1/2 PN11L15 S-0622
0102300252		GNCR 44X24X4,75 MT DMO E 1.1/2 S-0622
0102300255		GNCR 48X22X4,50 MT DMO E 1.1/2 PN11L15 S-0622
0102300259		GNCR 48X22X4,50 MT DMO E 1.1/2 S-0622
0102300258		GNCR 48X24X4,75 DR DMO E 1.1/2 S-0622
0102300256		GNCR 48X24X4,75 MT DMO E 1.1/2 PN11L15 S-0622
0102300257		GNCR 48X24X4,75 MT DMO E 1.1/2 S-0622
0102300260		GNCR 52X22X4,50 MT DMO E 1.1/2 S-0622
0102300261		GNCR 52X24X4,75 MT DMO E 1.1/2 PN 11L15 S-0622
0102300264		GNCR 56X20X4,50 MT DMO E 1.1/2 S-0622
0102300263		GNCR 56X22X4,50 DR DMO E 1.1/2 S-0622
0102300262		GNCR 56X24X4,75 MT DMO E 1.1/2 S-0622
0102300265		GNCR 56X24X6,00 MT DMO E 1.1/2 S-0622
0102300269		GNCR 60X20X4,50 MT DMO E 1.1/2 S-0622
0102300268		GNCR 60X22X4,50 DR DMO E 1.1/2 S-0622
0102300266		GNCR 60X22X4,50 MT DMO E 1.1/2 S-0622
0102300267		GNCR 60X24X4,75 MT DMO E 1.1/2 S-0622
0102300270		GNCR 60X24X6,00 MT DMO E 1.1/2 S-0622
0102300275		GNCR 64X20X4,50 MT DMO E 1.1/2 S-0622
0102300274		GNCR 64X22X4,50 DL DMO E 1.1/2 S-0622
0102300273		GNCR 64X22X4,50 DR DMO E 1.1/2 S-0622

## ATTENTION: IMPORTANT

Marchesan S.A. reserves the right to improve and/or modify the technical features of its products, without obligation to do the same with those products already sold and without prior knowledge of the dealer or the customer. The photos are only illustrative.



# PRODUCTS

0102300272

GNCR 64X22X4,50 MT DMO E 1.1/2 S-0622

0102300271

GNCR 64X24X4,75 DL DMO E 1.1/2 S-0622

## **ATTENTION: IMPORTANT**

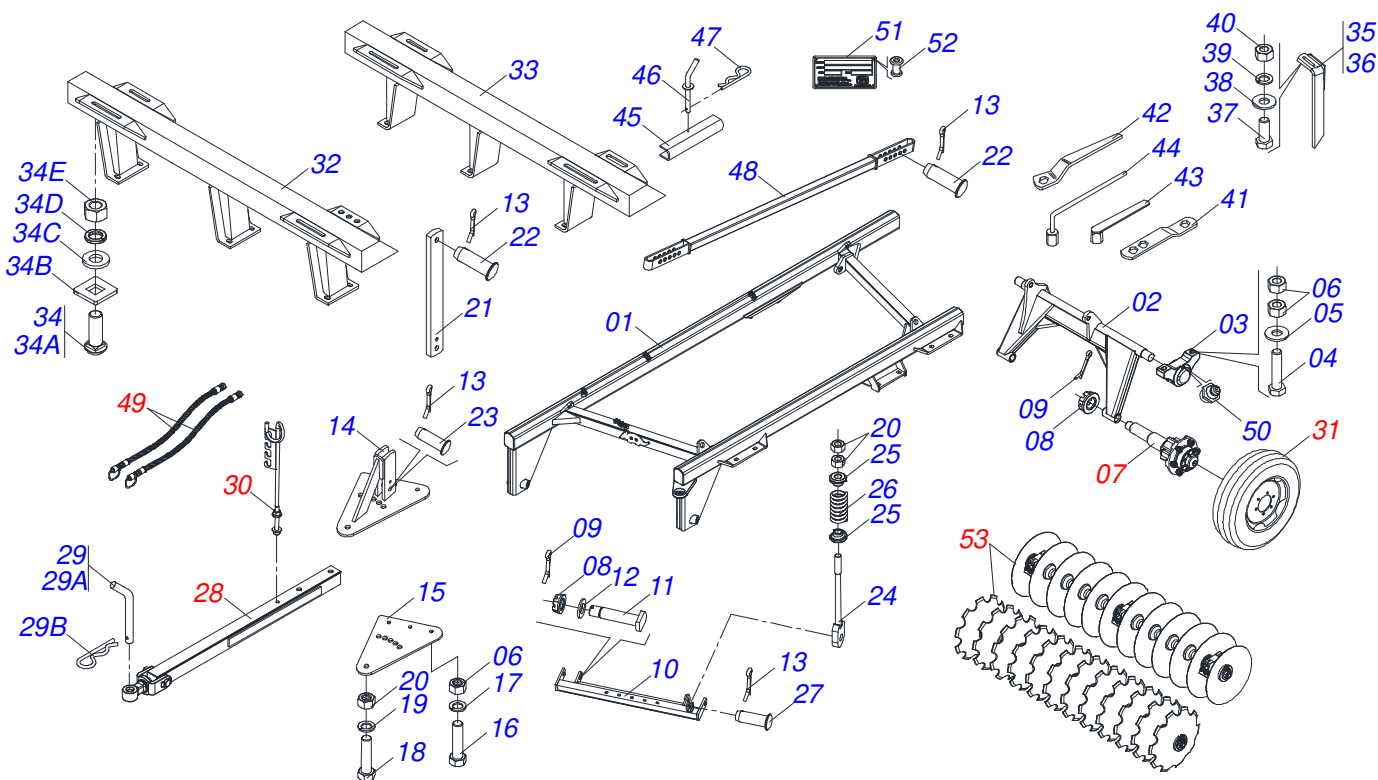
Marchesan S.A. reserves the right to improve and/or modify the technical features of its products, without obligation to do the same with those products already sold and without prior knowledge of the dealer or the customer. The photos are only illustrative.



**MARCHESAN**

# INDEX

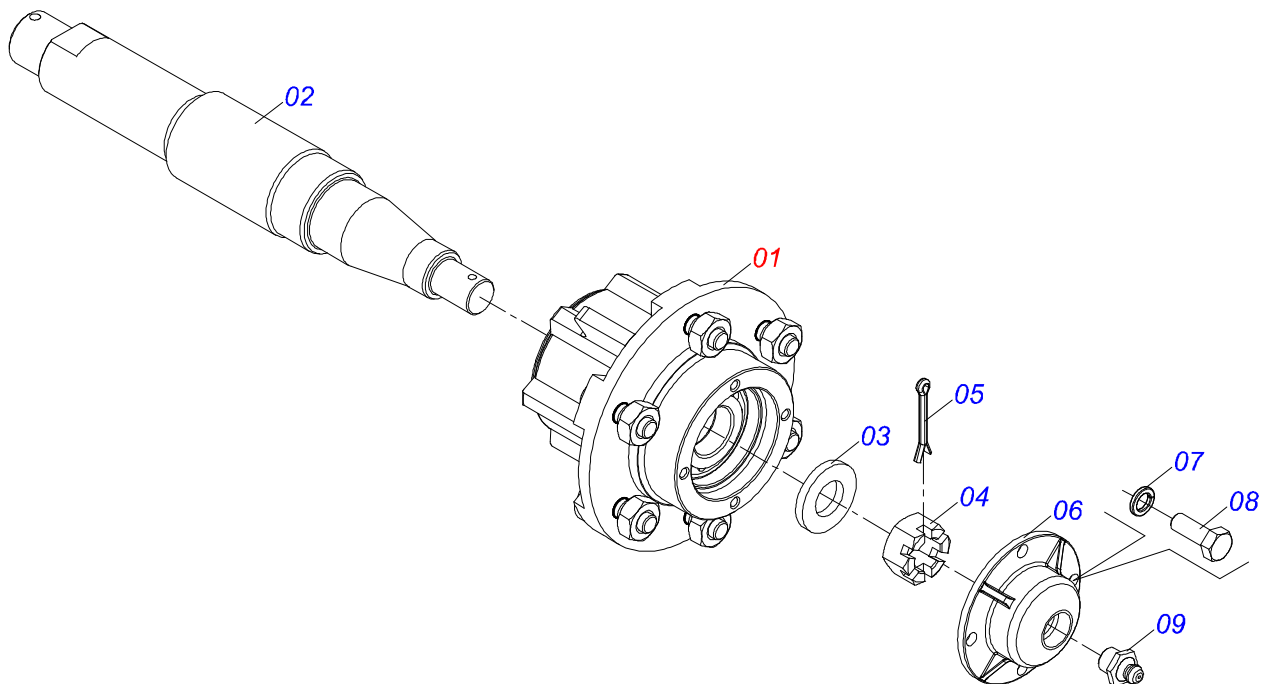
0909096417	ASSY FRAME - 28/32/36/40/44/48/52D	.....	1
0501051634	STUB SHAFT HUB ASSY	.....	2
0501051142	CARRYING WHEEL HUB	.....	3
0501041096	DRAWBAR ASSY	.....	4
0501040257	ASSY 3/4 X 38 HOSE SUPPORT	.....	5
0503060091	L29.5"X0.63"-10L WHEEL AND	.....	6
0503060181	WHEEL AND TIRE	.....	7
0909094287	28/32/36/40/44/48/52D - CIRCUIT HYDRAULIQUE	.....	8
0511059180	HYDRAULIC CYLINDER 50,80 X 101,60 X 515 X 203	.....	9
0501053834	MALE QUICK COUPLER	.....	10
0909096418	ASSY FRAME - 56/60/64D	.....	11
0511059060	50,80 X 101,60 X 561 X 264 HYDRAULIC CYLINDER	.....	12
0501047109	WHEEL WITHOUT TIRE 3 X 2780 MM	.....	13
0503060005	29.5"X0.63"-10L WHEEL WITH TIRE ASSY	.....	14
0503060046	WHEEL WITH TIRE 900 X 20-14L ASSY	.....	15
0501040364	HOSE SUPPORT ASSEMBLY	.....	16
0909096419	28/32/36/40/44/48/52D - FRONT AND REAR DISC SECTION	.....	17
0909096420	56/60/64D - FRONT AND REAR DISC SECTION	.....	18
0521047187	BEARING	.....	19
0521050840	SWIVEL OIL BATH BEARING 192,5 X 1.1/2	.....	20



Item	Code	Description	See page	28	32	36	40	44	48	52
01	0521062511	FRAME		01	01	01	01	01	01	01
02	0501065518	CARRYING-WHEELS		01	01	01	01	01	01	01
03	0501110856	ARTICULACION BEARING		02	02	02	02	02	02	02
04	0503010797	3/4" X 4" BOLT		04	04	04	04	04	04	04
05	0501010322	20,50 X 46 X 4,00 ZN FLAT WASHER		04	04	04	04	04	04	04
06	0503010014	3/4" ZN G.5 (HEAVY) UNC HEX NUT		11	11	11	11	11	11	11
07	0501051634	STUB SHAFT HUB ASSY	2	02	02	02	02	02	02	02
08	0501011301	1.1/2" UNC 6FPP 2.5/16" NUT		04	04	04	04	04	04	04
09	0503010010	SPLIT PIN 1/4" X 2.1/2"		04	04	04	04	04	04	04
10	0521062507	HITCH BAR		01	01	01	01	01	01	01
11	0531019497	1.5" X 9.2" ARTICULATED AXIS		02	02	02	02	02	02	02
12	0551012215	FLAT WASHER		02	02	02	02	02	02	02
13	0503010571	1/4" X 1.1/2" SPLIT PIN		04	04	04	04	04	04	04
14	0501066099	UPPER PLATE WITH SUPPORT		01	01	01	01	01	01	01
15	0501010241	UPPER /LOWER PLATE		01	01	01	01	01	01	01
16	0503011198	BOLT 3/4" UNC X 6" CS G.5		03	03	03	03	03	03	03
17	0503011442	3/4" SPRING WASHER		03	03	03	03	03	03	03
18	0501010060	1" X 6-1/2" BOLT		02	02	02	02	02	02	02
19	0503011438	SPRING WASHER		02	02	02	02	02	02	02
20	0501010059	1.5/8 NUT		04	04	04	04	04	04	04
21	0561019346	STABILIZER BAR TOWER		01	01	01	01	01	01	01
22	0521010575	C0.9" X 3.3" COUPLING SHAFT		02	02	02	02	02	02	02
23	0521810576	COUPLING SHAFT		01	01	01	01	01	01	01
24	0501064698	SPRING ROD		01	01	01	01	01	01	01
25	0502020392	SPRING SUPPORT		02	02	02	02	02	02	02
26	0503030441	12.7" X 5.7" X 0.5" SPRING		01	01	01	01	01	01	01
27	0521010592	1.1" X 3.1" COUPLING SHAFT		01	01	01	01	01	01	01
28	0501041096	DRAWBAR ASSY	4	01	01	01	01	01	01	01
29	0501040343	DRAWBOLT ASSY		01	01	01	01	01	01	01
29A	0521010453	AXI SHAFT		01	01	01	01	01	01	01

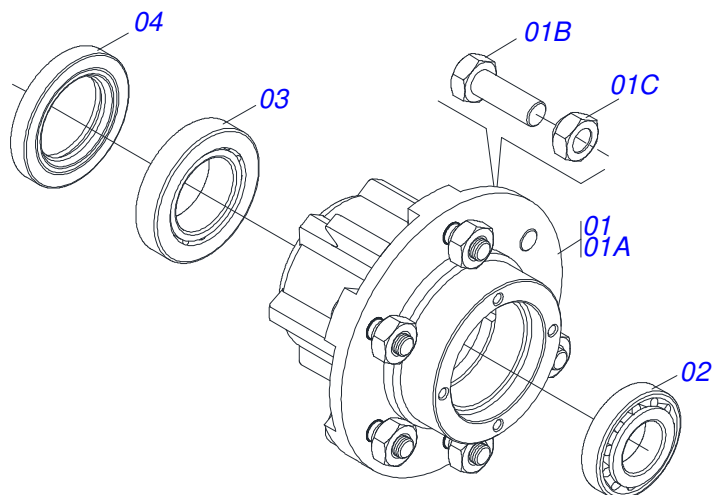


STUB SHAFT HUB ASSY



Item	Code	Description	See page	QT
01	0501051142	CARRYING WHEEL HUB	3	01
02	0521010821	2.5" X 16.5" AXLE		01
03	0501016545	FLAT WASHER		01
04	0503030009	1" CASTLE NUT		01
05	0503010018	5/32" X 1-1/2" SPLIT PIN		01
06	0502020591	PROTECCION COVER		01
07	0503011444	SPRING WASHER 5/16"		04
08	0503010358	5/16" X 5/8" BOLT		04
09	0503010002	1800 GREASE FITTING		01

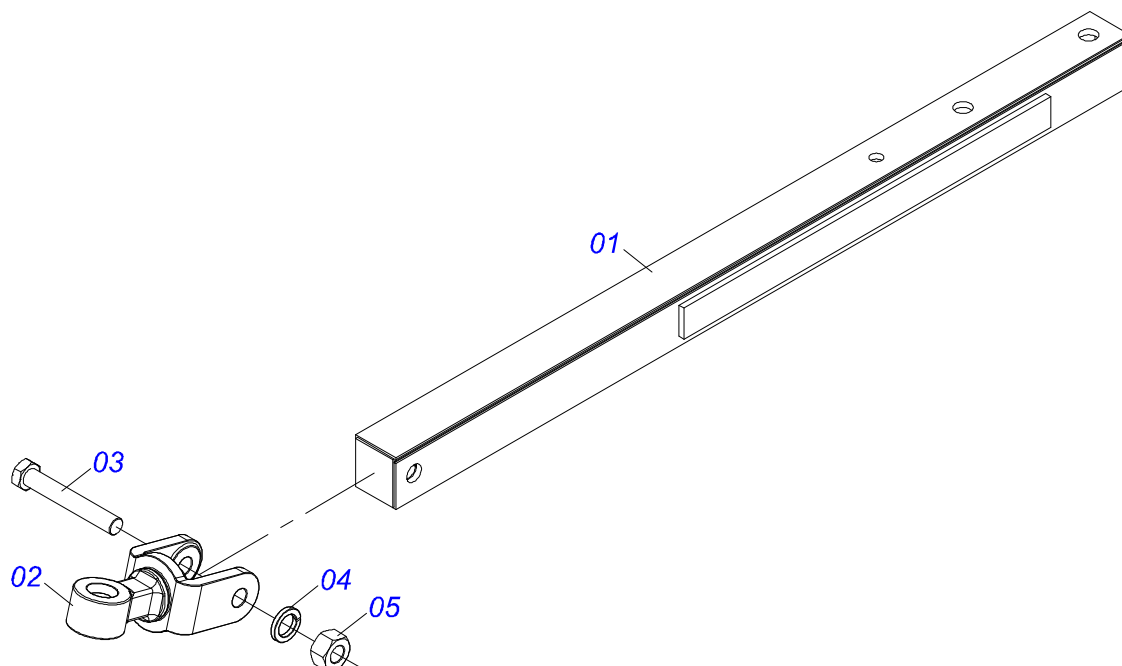
CARRYING WHEEL HUB



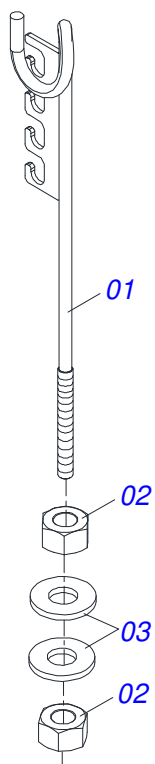
Item	Code	Description	See page	QT
01	0501110728	WHEEL HUB		01
01A	0502011121	CARRYING WHEEL HUB		01
01B	0501010127	9/16" X 1-7/8" LUG BOLT		06
01C	0503010035	9/16" CONIC NUT		06
02	0503010037	30207 ROLLER BEARING		01
03	0503010006	32210 ROLLER BEARING		01
04	0503012928	SEAL		01



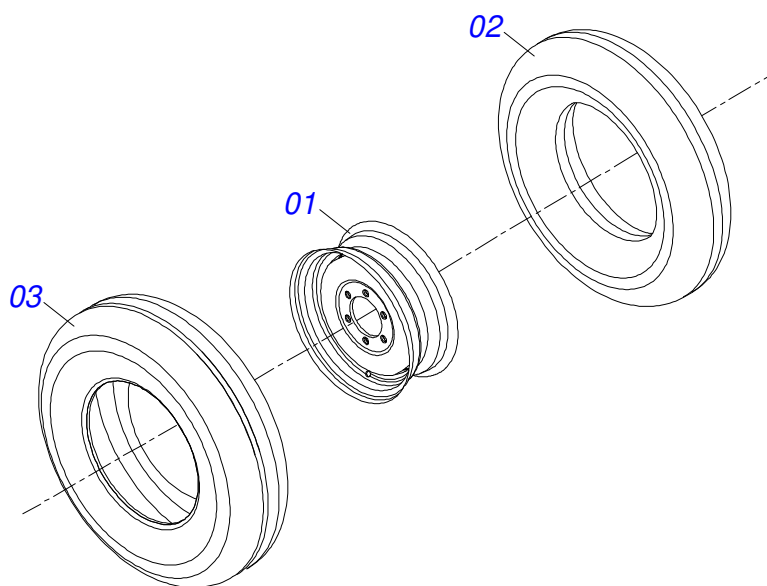
DRAWBAR ASSY



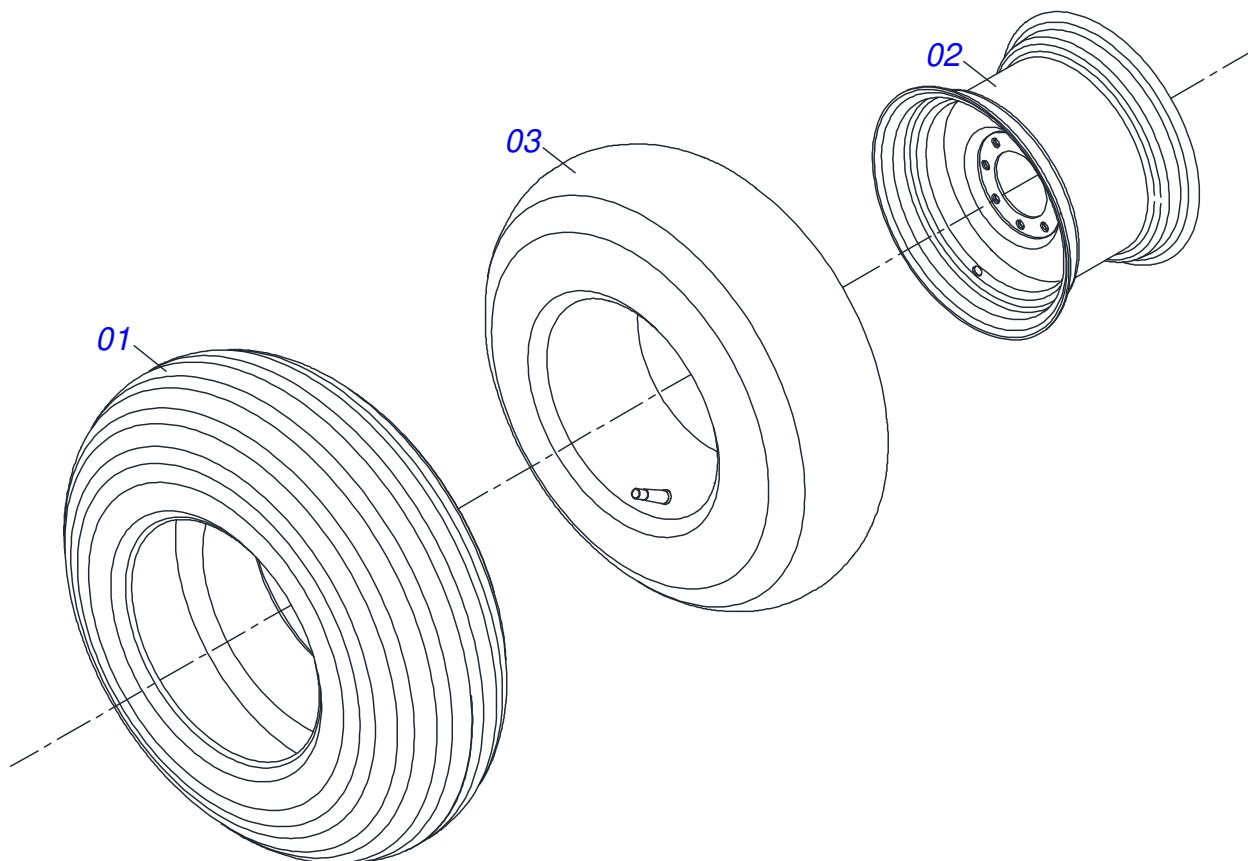
Item	Code	Description	See page	QT
01	0501060188	DRAWBAR ASSY		01
02	0521061775	TRACTOR HITCH		01
03	0501010060	1" X 6-1/2" BOLT		01
04	0503011438	SPRING WASHER		01
05	0501010059	1.5/8 NUT		01



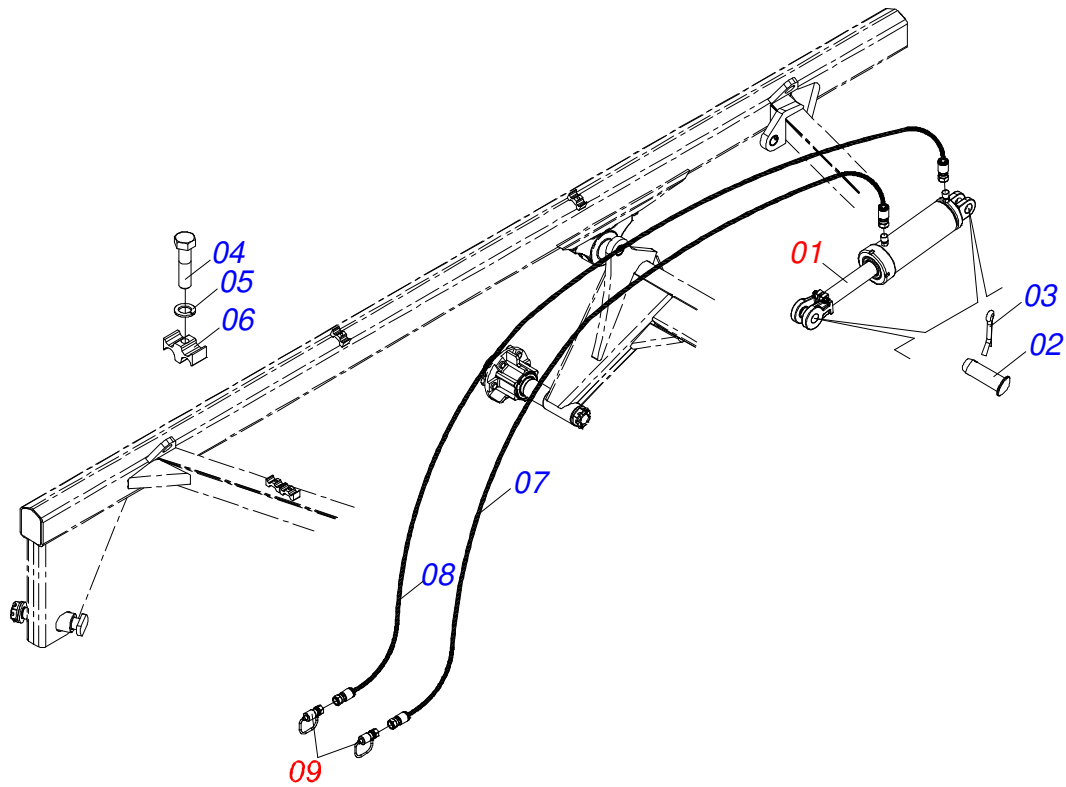
Item	Code	Description	See page	QT
01	0511067334	HOSE SUPPORT		01
02	0503010014	3/4" ZN G.5 (HEAVY) UNC HEX NUT		02
03	0501010322	20,50 X 46 X 4,00 ZN FLAT WASHER		02



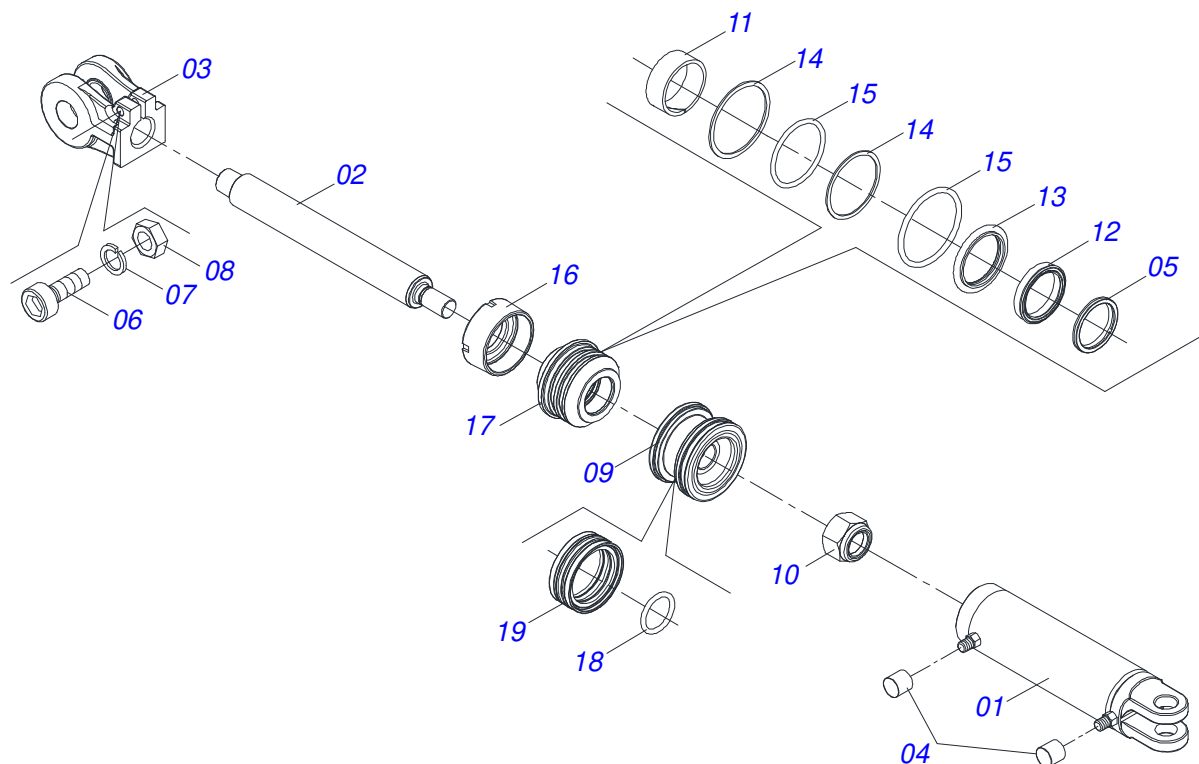
Item	Code	Description	See page	QT
01	0503010893	WHEEL		01
02	0503010033	7.50 X 16 INNER TIRE		01
03	0503010120	CANVAS TIRE		01



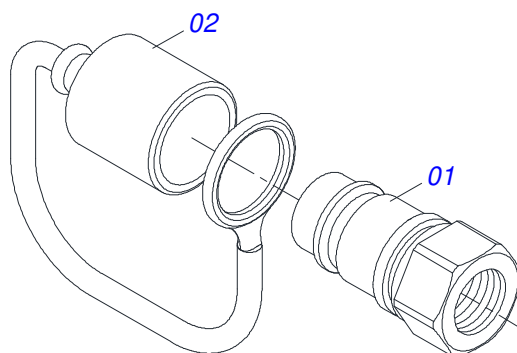
Item	Code	Description	See page	QT
01	0503010858	CANVAS TIRE		01
02	0503011468	WEEL		01
03	0503010860	AIR CHAMBER 11L 15		01



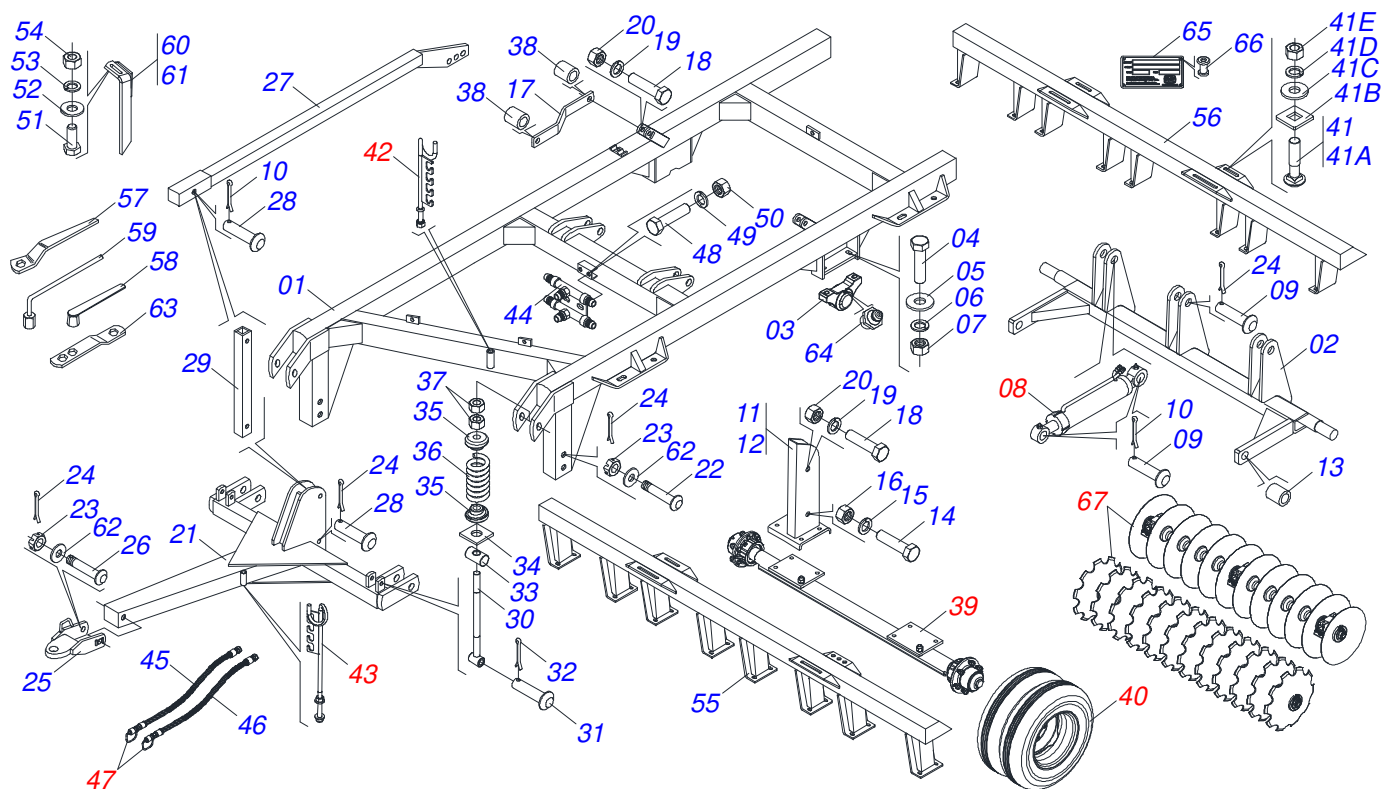
Item	Code	Description	See page	QT
01	0511059180	HYDRAULIC CYLINDER 50,80 X 101,60 X 515 X 203	9	01
02	0521012538	1.2" X 3.5" COUPLING SHAFT		02
03	0503010571	1/4" X 1.1/2" SPLIT PIN		02
04	0503012555	SCREW 7/16 UNC X 2 CS RT G.7 ZN		04
05	0503010180	7/16" SPRING WASHER		04
06	0502012702	BODY SUPPORT CLAMP		04
07	0501080421	3/8" X 230" TR-TM HOSE		01
08	0501080443	3/8 X 6000 TR-TM HOSE		01
09	0501053834	MALE QUICK COUPLER	10	02



Item	Code	Description	See page	QT
01	0511070658	CYLINDER CASE		01
02	0571019958	HYDRAULIC CYLINDER TURNBUCKLE		01
03	0502040747	32.54 CLEVIS CLAMP		01
04	0503030385	CYLINDER PLUG N-002		02
05	0503010039	D-2000 SCRAPER RING		01
06	0503011094	BOLT 3/8" UNC X 2" C C S I 12.9		01
07	0503011443	SPRING WASHER 3/8"		01
08	0503010026	3/8" NUT		01
09	0502012820	2" X 4" PISTON		01
10	0503010817	SELF LOCKING NUT 1.1/4 UNF ALTA G.5 ZN		01
11	0503018025	RING GUIDE W2-2250-750		01
12	0503018026	GASKET 1870-2000-375 B POLYMAX		01
13	0503018024	RING BS OD050805200171D-BR		01
14	0503010338	2-342 N 3006-9B O'RING		02
15	0503011061	8-342 BACK-UP RING		02
16	0502012822	END CAP 4"		01
17	0502012821	2" X 4" RING SUPPORT		01
18	0503018029	O'RING 2-217 N 3006 90B		01
19	0503015633	SELEMASTER SEALING		01



Item	Code	Description	See page	QT
01	0503011627	MALE QUICK COUPLER AGR 1/2 NPT		01
02	0503011882	MALE QUICK COUPLER CAP		01

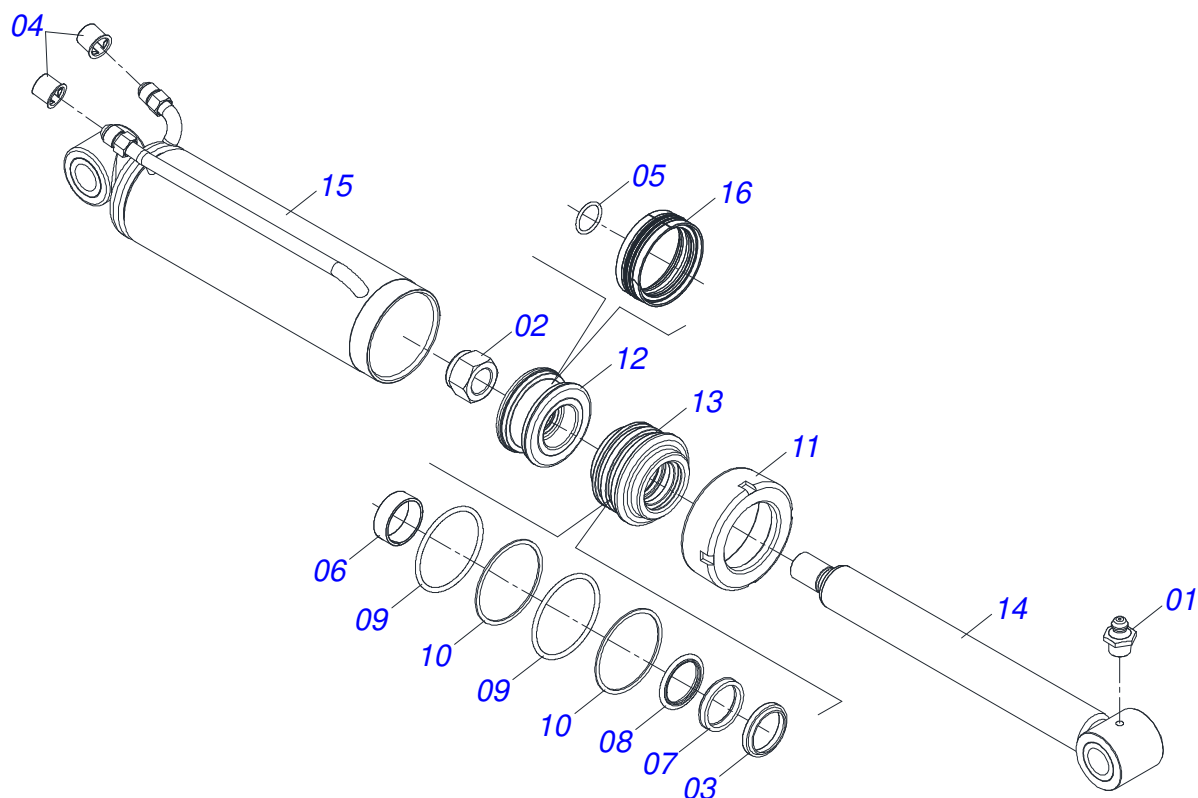


Item	Code	Description	See page	56	60	64
01	0501068301	FRAME CENTER		01	01	01
02	0501060384	CARRYING-WHEELS		01	01	01
03	0502010220	BEARING		02	02	02
04	0503010901	3/4UNC 3.1/2 BOLT		04	04	04
05	0501010322	20,50 X 46 X 4,00 ZN FLAT WASHER		04	04	04
06	0503010023	3/4" SPRING WASHER		04	04	04
07	0503010014	3/4" ZN G.5 (HEAVY) UNC HEX NUT		04	04	04
08	0511059060	50,80 X 101,60 X 561 X 264 HYDRAULIC CYLINDER	12	02	02	02
09	0521010545	1.2" X 5.1" COUPLING SHAFT		04	04	04
10	0503010523	1/4" X 2" SPLIT PIN		04	04	04
11	0501060714	TOWER FRONT SUSPENSION		01	01	01
12	0501060715	LEFT SUSPENSION TOWER		01	01	01
13	0521010465	1.3" X 1.7" X 1.3" SLEEVE		02	02	02
14	0503012548	1-1/4" X 4.6" BOLT		02	02	02
15	0503010070	SPRING WASHER		02	02	02
16	0501010087	1.1/4" NUT		02	02	02
17	0501110404	SUPPORT BAR		02	02	02
18	0503011432	BOLT		04	04	04
19	0503010012	1" SPRING WASHER		04	04	04
20	0501010059	1.5/8 NUT		04	04	04
21	0501060716	DRAWBAR		01	01	01
22	0501016419	1-1/2" X 7.5" BOLT		02	02	02
23	0501011301	1.1/2" UNC 6FPP 2.5/16" NUT		03	03	03
24	0503010010	SPLIT PIN 1/4" X 2.1/2"		06	06	06
25	0501060317	TRACTOR HITCH		01	01	01
26	0501016415	1-1/2" X 9.6" BOLT		01	01	01
27	0501060718	STABILIZER BAR		01	01	01
28	0521010546	1.2" X 5.7" COUPLING SHAFT		03	03	03
29	0501060717	TOWER		01	01	01
30	0501060486	REGULATOR BOLT		02	02	02

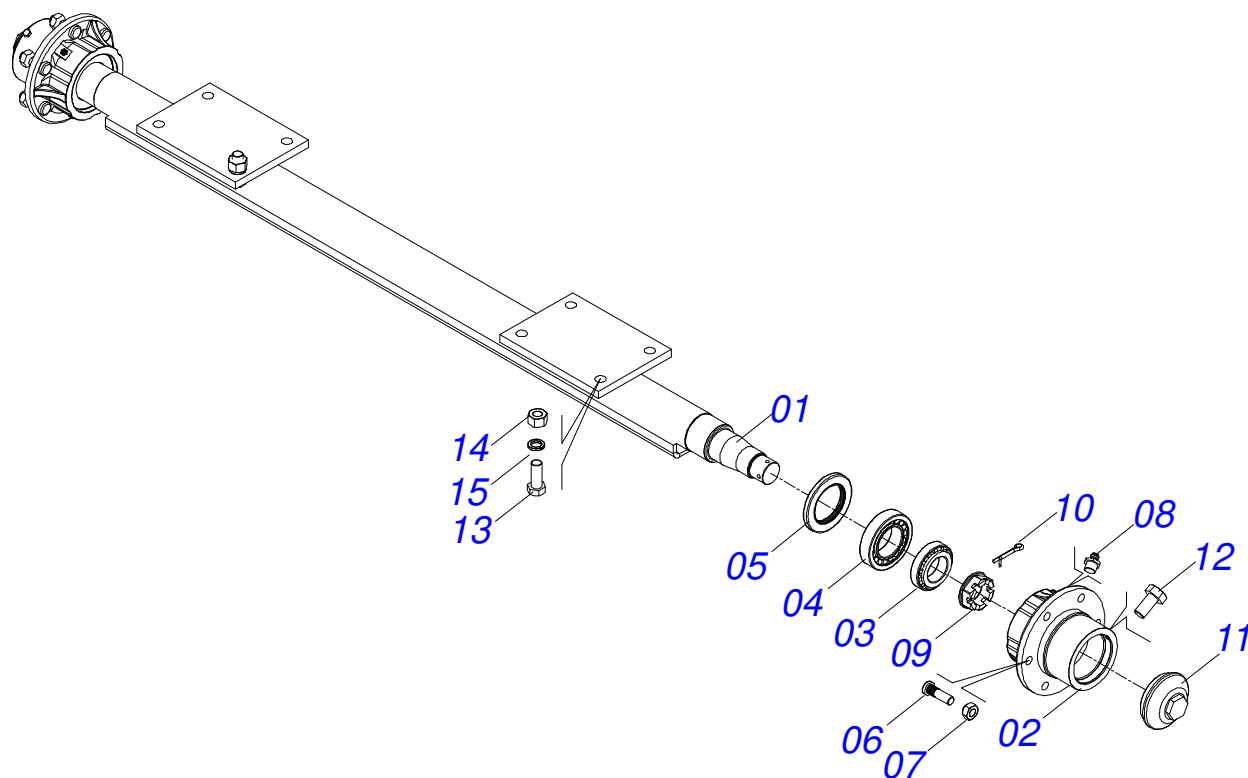




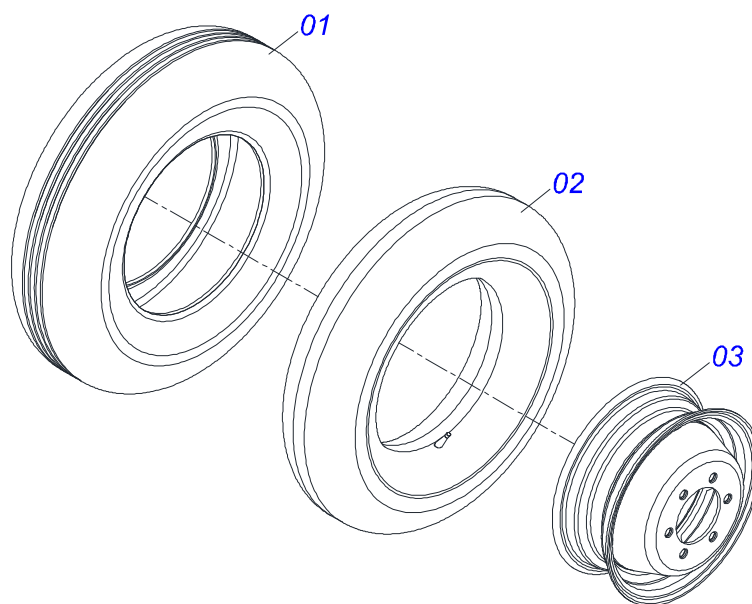
Item	Code	Description	See page	56	60	64
31	0521010579	COUPLING SHAFT		02	02	02
32	0503010571	1/4" X 1.1/2" SPLIT PIN		02	02	02
33	0501010289	GUIDE FRONT REGULATOR		02	02	02
34	0501010290	SPRING SEAT		02	02	02
35	0502020394	SPRING SUPPORT		04	04	04
36	0503030441	12.7" X 5.7" X 0.5" SPRING		02	02	02
37	0501010087	1.1/4" NUT		04	04	04
38	0511019921	1.3" X 0.1" X 1" SLEEVE		04	04	04
39	0501047109	WHEEL WITHOUT TIRE 3 X 2780 MM	13	01	01	01
40	0503060005	29.5"X0.63"-10L WHEEL WITH TIRE ASSY	14	04	04	04
40.	0503060046	WHEEL WITH TIRE 900 X 20-14L ASSY	15	04	04	04
41	0501040877	C1" X 3-1/4" ASSY BOLT		08	08	08
41A	0501014309	C1" X 3-1/4" BOLT		01	01	01
41B	0501010951	1" SQUARE WASHER		01	01	01
41C	0501010065	1" SPRING WASHER		01	01	01
41D	0503011438	SPRING WASHER		01	01	01
41E	0501010059	1.5/8 NUT		01	01	01
42	0501040364	HOSE SUPPORT ASSEMBLY	16	01	01	01
43	0501040257	ASSY 3/4 X 38 HOSE SUPPORT	5	01	01	01
44	0501068941	CONNECTION		01	01	01
45	0501080014	1/2 X 1000 TR-TR HOSE		04	04	04
46	0501080084	HOSE		02	02	02
47	0501053834	MALE QUICK COUPLER	10	02	02	02
48	0501010080	3/8" BOLT		02	02	02
49	0503010025	3/8 SPRING WASHER		02	02	02
50	0503010026	3/8" NUT		02	02	02
51	0503011082	C1/2" X 1.3/4" SCREW		84	92	100
52	0511017302	FLAT WASHER 13,50 X 32,50 X 3,0 ZN		84	92	100
53	0503010019	1/2" SPRING WASHER		84	92	100
54	0503010060	1/2 UNC G.5 ZN HEX NUT		84	92	100
55	0531064219	FRONT FRAME - 56		01	00	00
55.	0531064223	FRONT FRAME - 60		00	01	00
55..	0531064229	FRONT FRAME - 64		00	00	01
56	0531064221	REAR FRAME - 56		01	00	00
56.	0531064225	REAR FRAME - 60		00	01	00
56..	0531064231	REAR FRAME - 64		00	00	01
57	0501011432	1-1/2" AND 1-5/8 GANG BOLT WRENCH		01	01	01
58	0501061617	1" GANG BOLT WRENCH		01	01	01
59	0501068273	5/8" WRENCH		01	01	01
60	0501063963	FRONT SCRAPER		21	23	25
61	0501063962	REAR SCRAPER		21	23	25
62	0551012215	FLAT WASHER		03	03	03
63	0511018451	5/8" X 3/4" X 1" UNIVERSAL		01	01	01
64	0503010002	1800 GREASE FITTING		03	03	03
65	0503034003	61 X 118 SERIAL NUMBER TAG		01	01	01
66	0503010001	RIVET 3,2 X 5,5		04	04	04
67		56/60/64D - FRONT AND REAR DISC SECTION	18			



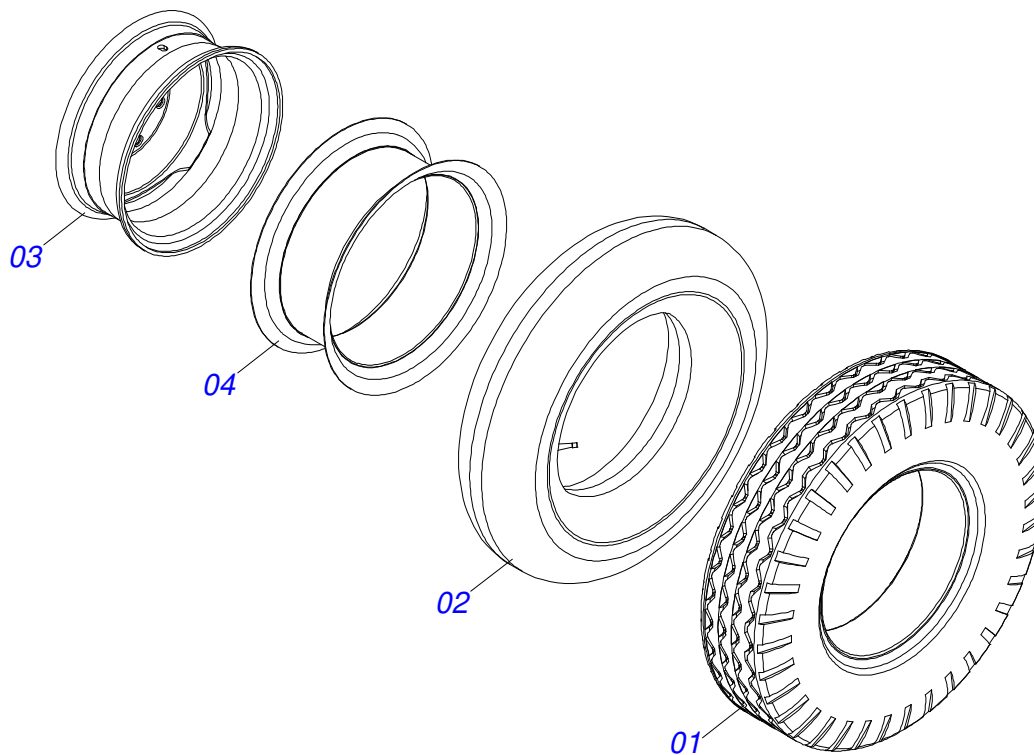
Item	Code	Description	See page	QT
01	0503010002	1800 GREASE FITTING		02
02	0503010817	SELF LOCKING NUT 1.1/4 UNF ALTA G.5 ZN		01
03	0503010039	D-2000 SCRAPER RING		01
04	0503030387	PLUG		02
05	0503018029	O'RING 2-217 N 3006 90B		01
06	0503018025	RING GUIDE W2-2250-750		01
07	0503018026	GASKET 1870-2000-375 B POLYMAX		01
08	0503018024	RING BS OD050805200171D-BR		01
09	0503010338	2-342 N 3006-9B O'RING		02
10	0503011061	8-342 BACK-UP RING		02
11	0502012822	END CAP 4"		01
12	0502012820	2" X 4" PISTON		01
13	0502012821	2" X 4" RING SUPPORT		01
14	0501068955	HYDRAULIC CYLINDER TURNBUCKLE		01
15	0501060367	50,8 X 101 X 552 X 262 CYLINDER CASE		01
16	0503015633	SELEMASTER SEALING		01



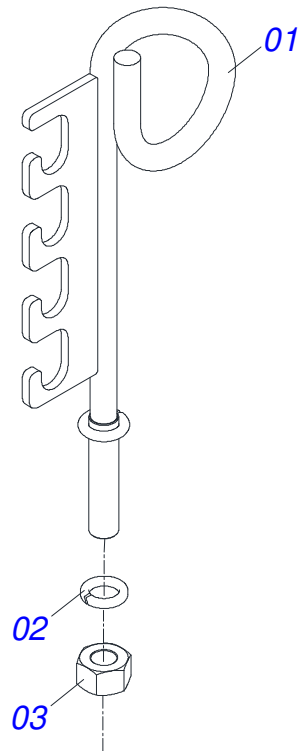
Item	Code	Description	See page	QT
01	0501068310	AXLE 3 X 2780		01
02	0502011389	BOX		02
03	0503010006	32210 ROLLER BEARING		02
04	0503010005	32212 ROLLER BEARING		02
05	0503011866	SEAL 00573-B WITH HOLE		02
06	0501010186	WHEEL BOLT 5/8" UNF X 2.1/8CR		12
07	0503010064	5/8 UNF CONIC NUT		12
08	0503010002	1800 GREASE FITTING		02
09	0501010888	1.3/4" 2.5/16" CASTLE NUT		02
10	0503010010	SPLIT PIN 1/4" X 2.1/2"		02
11	0502020593	COVER		02
12	0503010295	SCREW 5/16 UNC X 5/8 CS G.2 ZN		02
13	0501010098	BOLT 3/4" UNC X 2 C S G.5 ZN		08
14	0503011442	3/4" SPRING WASHER		08
15	0503010014	3/4" ZN G.5 (HEAVY) UNC HEX NUT		08



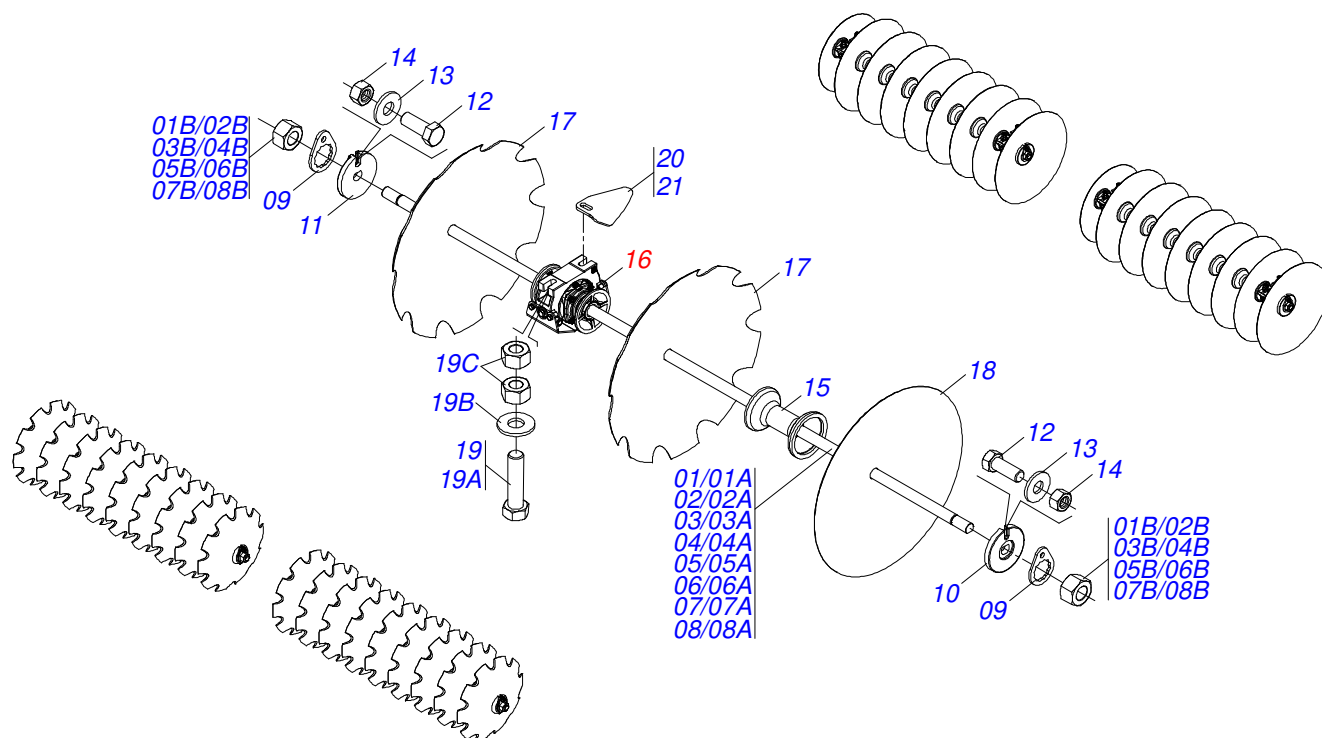
Item	Code	Description	See page	QT
01	0503010120	CANVAS TIRE		01
02	0503010033	7.50 X 16 INNER TIRE		01
03	0501061845	0.2"X0.6"X5.1"X6F0.6"X6.8"-D WHEEL		01



Item	Code	Description	See page	QT
01	0503010494	9.0LX 20" X 14 PLY, TIRE		01
02	0503010057	INNER TIRE		01
03	0501063939	2.6"X0.8"X5.1"X 6F0.75"X6.8" WHEEL		01
04	0503010470	PROTECTION		01



Item	Code	Description	See page	QT
01	0501060409	HOSE SUPPORT ASSY		01
02	0503011442	3/4" SPRING WASHER		01
03	0503010014	3/4" ZN G.5 (HEAVY) UNC HEX NUT		01



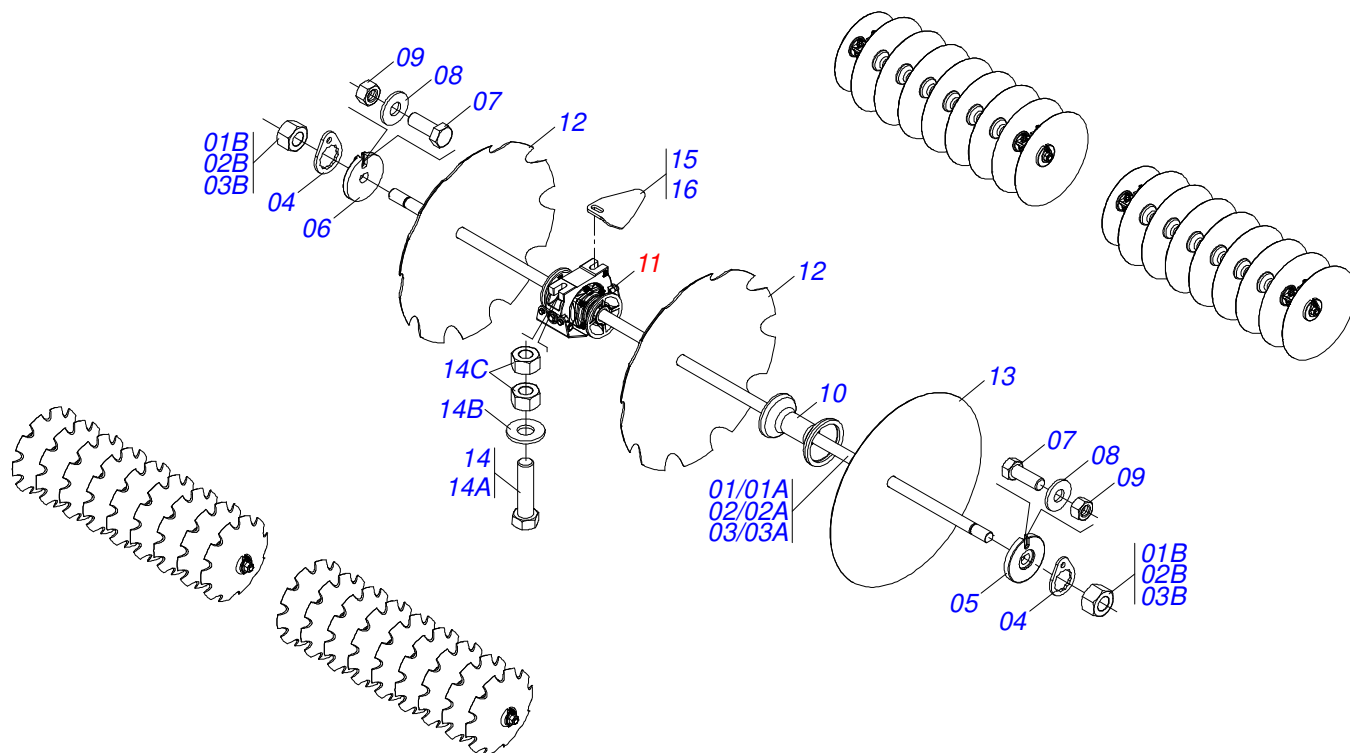
Item	Code	Description	See page	28	32	36	40	44	48	52
01	0531041891	AXLE 1.1/2 6FPP X 2685 WITH NUTS		02	00	00	00	00	00	00
01A	0501212102	AXIS 1.1/2 UNC X 2685		02	00	00	00	00	00	00
01B	0501010110	NUT 1.1/2 NC 6FPP HEXAGONAL 2.3/8" ZN		04	00	00	00	00	00	00
02	0531042512	1.1/2 6FPP X 1485 AXLE WITH NUTS		00	02	00	00	00	00	00
02A	0501214597	1.1/2 6FPP X 1485 AXLE		00	02	00	00	00	00	00
02B	0501010110	NUT 1.1/2 NC 6FPP HEXAGONAL 2.3/8" ZN		00	04	00	00	00	00	00
03	0501043697	1.1/2 6FPP X 1505 AXLE WITH NUTS		00	02	00	00	00	00	00
03A	0511012601	1.1/2 6FPP X 1505 AXLE		00	02	00	00	00	00	00
03B	0501010110	NUT 1.1/2 NC 6FPP HEXAGONAL 2.3/8" ZN		00	04	00	00	00	00	00
04	0521045339	AXIS 1.1/2" 6 FPP X 1695 WITH NUTS		00	00	04	00	00	00	00
04A	0511012015	AXIS 1.1/2 6FPP X 1695		00	00	04	00	00	00	00
04B	0501010110	NUT 1.1/2 NC 6FPP HEXAGONAL 2.3/8" ZN		00	00	08	00	00	00	00
05	0531041888	1.1/2 AXLE 6FPP X 1505 WITH NUTS		00	00	00	02	02	00	00
05A	0501212099	AXLE 1.1/2" UNC X 1505		00	00	00	02	02	00	00
05B	0501010110	NUT 1.1/2 NC 6FPP HEXAGONAL 2.3/8" ZN		00	00	00	04	04	00	00
06	0531042513	1.1/2 6FPP X 2275 AXLE WITH NUTS		00	00	00	02	00	04	00
06A	0501214598	1.1/2 X 2275 AXLE		00	00	00	02	00	04	00
06B	0501010110	NUT 1.1/2 NC 6FPP HEXAGONAL 2.3/8" ZN		00	00	00	04	00	08	00
07	0511045023	1.1/2 6FPP X 2680 AXLE WITH NUTS		00	00	00	00	02	00	00
07A	0551011002	1.1/2 6FPP X 2680 AXLE		00	00	00	00	02	00	00
07B	0501010110	NUT 1.1/2 NC 6FPP HEXAGONAL 2.3/8" ZN		00	00	00	00	04	00	00
08	0511054527	1.1/2 6FPP X 2490 AXLE WITH NUTS		00	00	00	00	00	00	04
08A	0531019372	1.1/2 6FPP X 2490 AXLE		00	00	00	00	00	00	04
08B	0501010110	NUT 1.1/2 NC 6FPP HEXAGONAL 2.3/8" ZN		00	00	00	00	00	00	08
09	0501018592	LOCK NUT 1.5/8" HEX. 60,0/60,2		04	08	08	08	08	08	08
10	0502010872	1-1/2" INNER AXLE WASHER		02	04	04	04	04	04	04
11	0502010871	EXTERNAL AXLE WASHER 1.1/2"		02	04	04	04	04	04	04
12	0503011267	BOLT 5/8" UNC X 1.1/2 C S G.5 ZN		04	08	08	08	08	08	08
13	0501012140	FLAT WASHER 16,50 X 40 X 4,00 ZN		04	08	08	08	08	08	08
14	0503012412	5/8" UNC SELF LOCKING NUT		04	08	08	08	08	08	08



**GNCR 28/32/36/40/44/48/52/56/60/64D - (1.1/2" AXLE)**  
**28/32/36/40/44/48/52D - FRONT AND REAR DISC SECTION**

Item	Code	Description	See page	28	32	36	40	44	48	52
15	0502010627	SPACER		20	20	24	26	30	32	36
16	0521047187	BEARING	19	06	08	08	10	10	12	12
17	0602025259	DR 18 X 3 C45AF02FR1.5/16 9R		00	00	00	00	02	00	00
17.	0602027340	DR 20 X 3,5 C57AF02FR1.5/16 10R		00	00	00	00	42	00	00
17..	0602027343	DR 20 X 4,5 C57AF02FR1.9/16 10R		00	00	00	20	00	00	00
17...	0602029416	DR 22 X 4,5 C64AF02FR1.9/16 10R		00	00	18	20	22	24	26
17....	0602029421	DR 22 X 4,5 C64AF02FR1.5/16 10R		00	16	00	00	00	00	00
17.....	0602029388	22" X 4,75 NOTCHED DISC BLADE		02	00	00	02	00	00	00
17.....	0602029396	22X4,75 NOTCHED DISC BLADE		00	00	00	00	02	00	00
17.....	0602030446	24" X 4,75 NOTCHED DISC BLADE		26	00	18	38	42	46	26
18	0601025033	DL 18 X 3,5 C45AF02FR1.9/16		00	00	00	02	00	00	00
18.	0601027302	DL 20 X 3,5 C57AF02FR1.9/16		00	00	02	02	00	00	00
18..	0601027301	DL 20 X 3,5 C57AF02FR1.5/16		00	02	00	00	00	00	00
18...	0601027299	DL 20 X 4,5 C57AF02FR1.9/16		00	00	00	18	02	02	02
18....	0601029414	DL 22 X 4,5 C63AF02FR1.9/16		00	00	16	00	00	00	00
18.....	0601029413	DL 22 X 4,5 C64AF02FR1.9/16		00	00	02	18	20	22	24
18.....	0601029417	DL 22 X 4,5 C64AF02FR1.5/16		00	14	00	00	00	00	00
18.....	0601031114	24" X 4,75 PLAIN DISC BLADE		00	00	00	00	20	00	00
18.....	0601031039	DL24X4,75 C72AF02FR1.9/16 TATU TERR		00	00	16	00	00	22	24
19	0521059224	SCREW ASSEMBLY		12	16	16	20	20	24	24
19A	0501013233	5/8" X 2-3/4" BOLT		12	16	16	20	20	24	24
19B	0501012140	FLAT WASHER 16,50 X 40 X 4,00 ZN		12	16	16	20	20	24	24
19C	0503010013	5/8" UNC G.5 ZN HEX NUT		24	32	32	40	40	48	48
20	0591015195	FRONT SCRAPER		03	04	04	05	05	06	06
21	0591015196	REAR SCRAPER		03	04	04	05	05	06	06



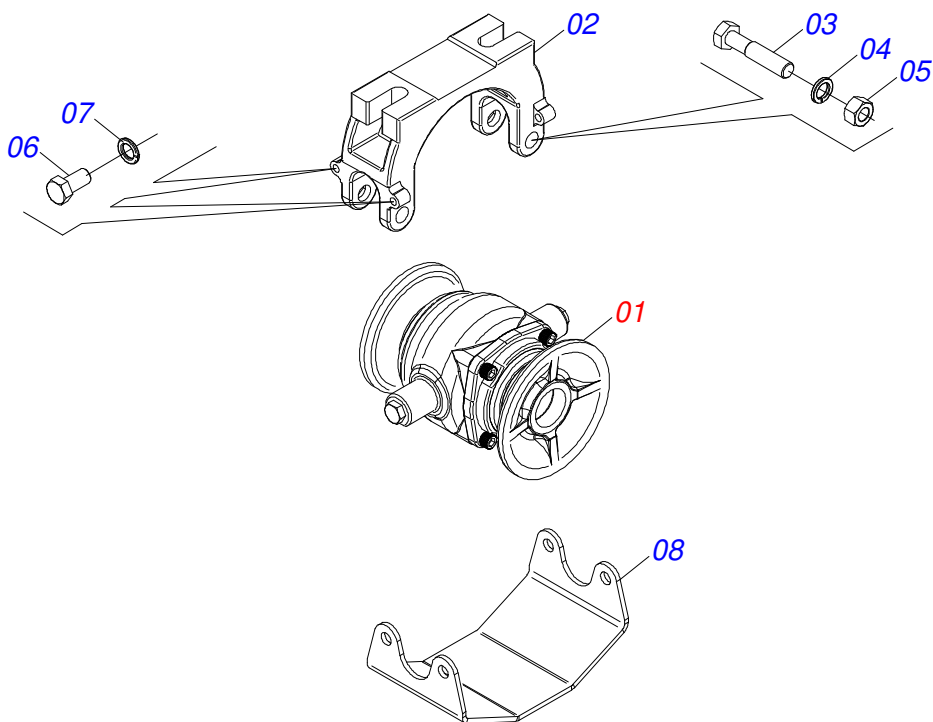


Item	Code	Description	See page	56	60	64
01	0501043697	1.1/2 6FPP X 1505 AXLE WITH NUTS		00	00	04
01A	0511012601	1.1/2 6FPP X 1505 AXLE		00	00	04
01B	0501010110	NUT 1.1/2 NC 6FPP HEXAGONAL 2.3/8" ZN		00	00	08
02	0511045023	1.1/2 6FPP X 2680 AXLE WITH NUTS		04	00	00
02A	0551011002	1.1/2 6FPP X 2680 AXLE		04	00	00
02C	0501010110	NUT 1.1/2 NC 6FPP HEXAGONAL 2.3/8" ZN		08	00	00
03	0501059898	1.1/2 6FPP X 2880 AXLE WITH NUTS		00	04	00
03A	0561016111	1.1/2 6FPP X 2880 AXLE		00	04	00
03B	0501010110	NUT 1.1/2 NC 6FPP HEXAGONAL 2.3/8" ZN		00	08	00
04	0501018592	LOCK NUT 1.5/8" HEX. 60,0/60,2		08	08	08
05	0502010872	1-1/2" INNER AXLE WASHER		04	04	04
06	0502010871	EXTERNAL AXLE WASHER 1.1/2"		04	04	04
07	0503011267	BOLT 5/8" UNC X 1.1/2 C S G.5 ZN		08	08	08
08	0501012140	FLAT WASHER 16,50 X 40 X 4,00 ZN		08	08	08
09	0503012412	5/8" UNC SELF LOCKING NUT		08	08	08
10	0502010627	SPACER		40	44	48
11	0521047187	BEARING	19	12	12	12
12	0602027343	DR 20 X 4,5 C57AF02FR1.9/16 10R		28	30	32
12.	0602027356	DR 20 X 4,5 C57AF02FR1.9/16 10R		00	00	02
12..	0602029416	DR 22 X 4,5 C64AF02FR1.9/16 10R		54	58	62
12...	0602030446	24" X 4,75 NOTCHED DISC BLADE		28	30	00
12....	0602030421	24" X 6 NOTCHED DISC		28	30	00
13	0601025033	DL 18 X 3,5 C45AF02FR1.9/16		02	02	02
13.	0601027299	DL 20 X 4,5 C57AF02FR1.9/16		26	28	30
13..	0601029413	DL 22 X 4,5 C64AF02FR1.9/16		02	28	30
13...	0601029406	22" X 4,5 PLAIN DISC BLADE		00	00	62
13....	0601031039	DL24X4,75 C72AF02FR1.9/16 TATU TERR		26	28	62
13.....	0601031116	24 X 6 PLAIN DISC		26	28	00
14	0521059224	SCREW ASSEMBLY		24	24	24
14A	0501013233	5/8" X 2-3/4" BOLT		24	24	24

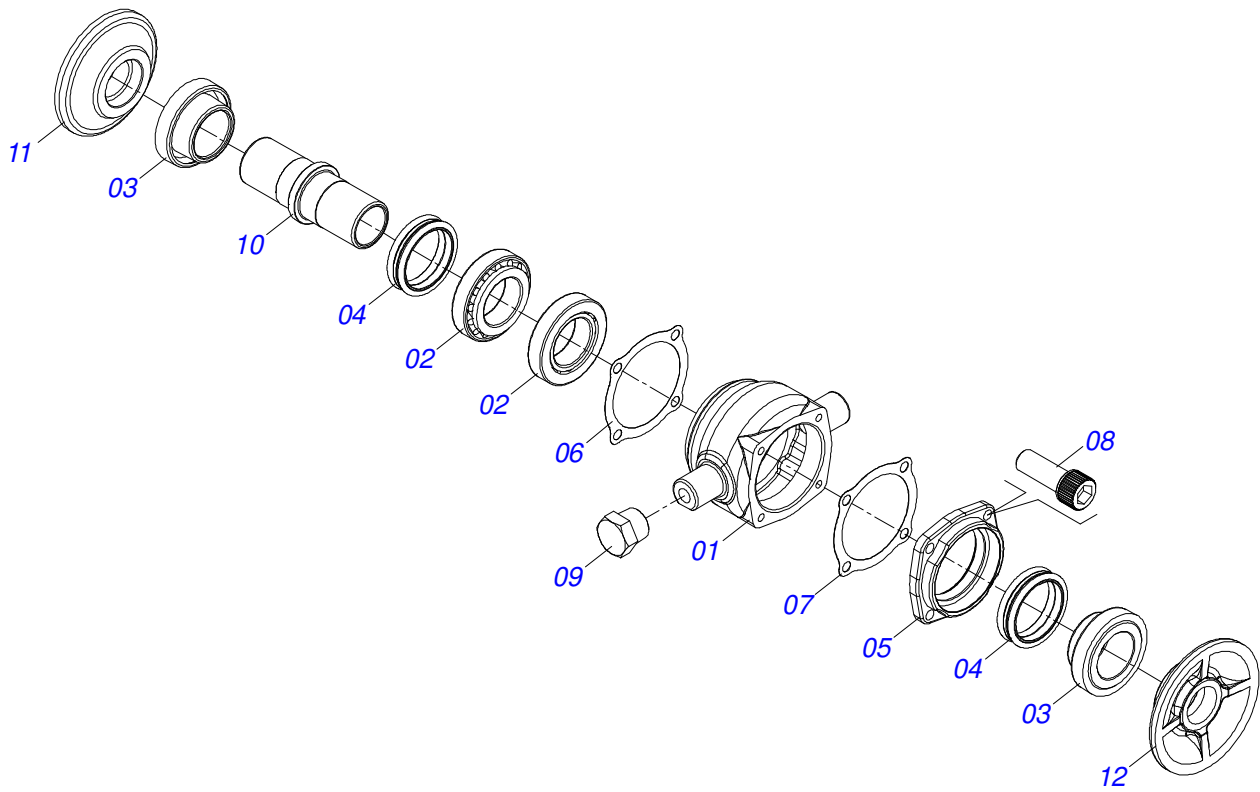


Item	Code	Description	See page	56	60	64
14B	0501012140	FLAT WASHER 16,50 X 40 X 4,00 ZN		24	24	24
14C	0503010013	5/8" UNC G.5 ZN HEX NUT		48	48	48
15	0591015195	FRONT SCRAPER		06	06	06
16	0591015196	REAR SCRAPER		06	06	06

BEARING



Item	Code	Description	See page	QT
01	0521050840	SWIVEL OIL BATH BEARING 192,5 X 1.1/2	20	01
02	0502012854	BEARING SUPPORT 182/192,5		01
03	0501011541	BOLT 5/8" UNC X 3 CS G.5 ZN1K28066		02
04	0503010027	5/8 SPRING WASHER		02
05	0503010013	5/8" UNC G.5 ZN HEX NUT		02
06	0503011334	BOLT 3/8" UNC X 3/4" CS G.5 ZN		04
07	0503010025	3/8 SPRING WASHER		04
08	0581014143	SWIVEL OIL BATH BEARING WEAR PLATE		01



Item	Code	Description	See page	QT
01	0502012839	BEARING HOUSING 182/192,5		01
02	0503010006	32210 ROLLER BEARING		02
03	0502010541	SEAL RETAINER		02
04	0503030026	SEAL LP JB-253		02
05	0502020424	HOUSING CAP 182/192,225		01
06	0503030013	4.4" X 3.5" X 0.004" JOINT		02
07	0503030684	4.4" X 3.5" X 0.004" JOINT		01
08	0503010134	3/8" X 1" BOLT		04
09	0503010856	OIL PLUG R 3/8 BSPT		02
10	0502040061	AXLE 182/192,5		01
11	0502010605	INNER FLANGE		01
12	0502010604	OUTER FLANGE		01
13	3402301247	MINERAL OIL SAE 140		0,13Lts





**MARCHESAN**

***Technical Publications | Elaboration and Revision***

LEONARDO JOSÉ DA SILVA SOUZA

[www.marchesan.com.br](http://www.marchesan.com.br)

