

**OFFSET DISK HARROW**

**GASPCR EHD 10020 - MECHANICS - 2.3/4"  
AXLE - 16/18/20/22/24D**

**Code:** 0501093338

**Series:** S-0322

**Revision:** 00

**Date Revision:** MAIO/2022

# **PARTS CATALOGUE**



**MARCHESAN**



# PRODUCTS

Code	Description
0102090387	GASPCR EHD 10020 16X36X12 DR DMO MEC E 2.3/4 S0322
0102090388	GASPCR EHD 10020 16X38X12 DR DMO MEC E 2.3/4 S0322
0102090389	GASPCR EHD 10020 16X40X12 DR DMO MEC E 2.3/4 S0322
0102090390	GASPCR EHD 10020 16X42X12 DR DMO MEC E 2.3/4 S0322
0102090391	GASPCR EHD 10020 18X36X12 DR DMO MEC E 2.3/4 S0322
0102090392	GASPCR EHD 10020 18X38X12 DR DMO MEC E 2.3/4 S0322
0102090393	GASPCR EHD 10020 18X40X12 DR DMO MEC E 2.3/4 S0322
0102090394	GASPCR EHD 10020 18X42X12 DR DMO MEC E 2.3/4 S0322
0102090395	GASPCR EHD 10020 20X36X12 DR DMO MEC E 2.3/4 S0322
0102090396	GASPCR EHD 10020 20X38X12 DR DMO MEC E 2.3/4 S0322
0102090397	GASPCR EHD 10020 20X40X12 DR DMO MEC E 2.3/4 S0322
0102090398	GASPCR EHD 10020 20X42X12 DR DMO MEC E 2.3/4 S0322
0102090399	GASPCR EHD 10020 22X36X12 DR DMO MEC E 2.3/4 S0322
0102090400	GASPCR EHD 10020 22X38X12 DR DMO MEC E 2.3/4 S0322
0102090401	GASPCR EHD 10020 22X40X12 DR DMO MEC E 2.3/4 S0322
0102090402	GASPCR EHD 10020 22X42X12 DR DMO MEC E 2.3/4 S0322
0102090403	GASPCR EHD 10020 24X36X12 DR DMO MEC E 2.3/4 S0322
0102090404	GASPCR EHD 10020 24X38X12 DR DMO MEC E 2.3/4 S0322
0102090405	GASPCR EHD 10020 24X40X12 DR DMO MEC E 2.3/4 S0322
0102090406	GASPCR EHD 10020 24X42X12 DR DMO MEC E 2.3/4 S0322

## ATTENTION: IMPORTANT

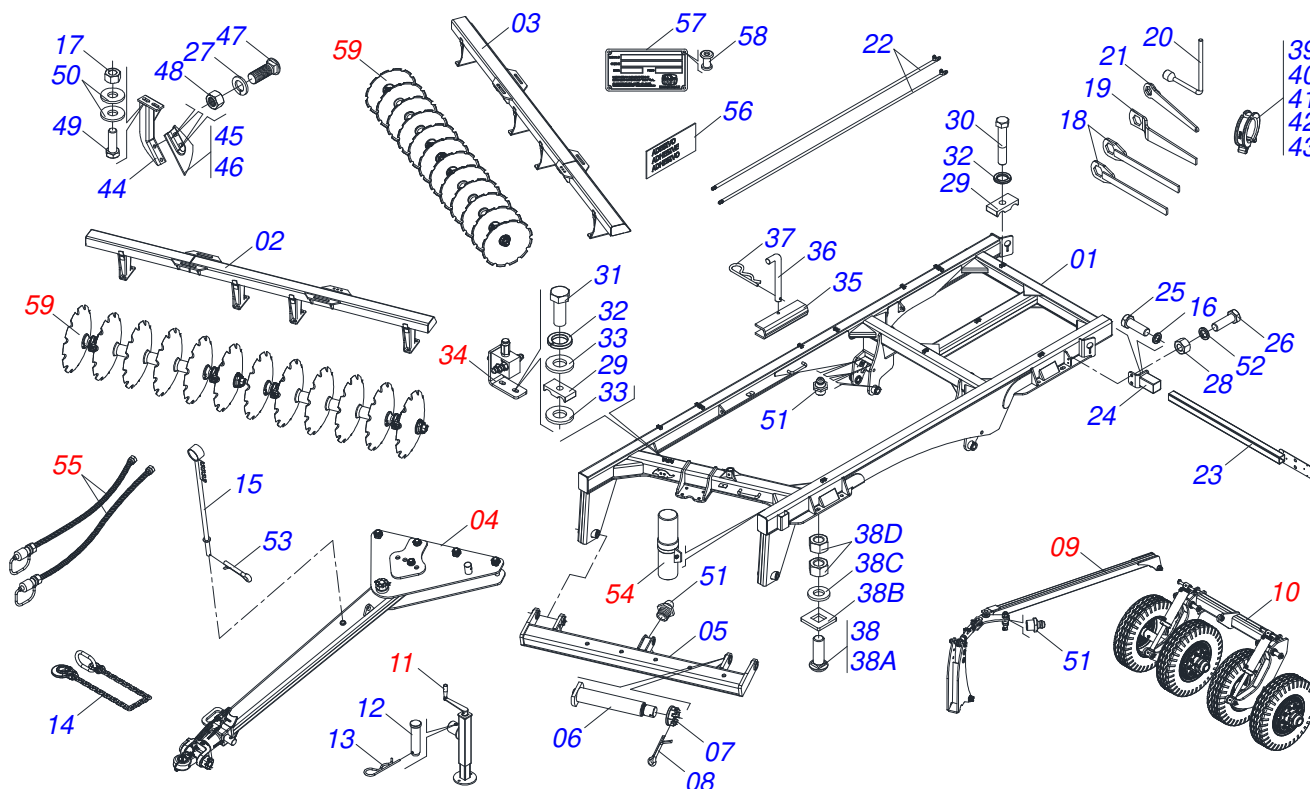
Marchesan S.A. reserves the right to improve and/or modify the technical features of its products, without obligation to do the same with those products already sold and without prior knowledge of the dealer or the consumer. The photos are only illustrative.



**MARCHESAN**

# INDEX

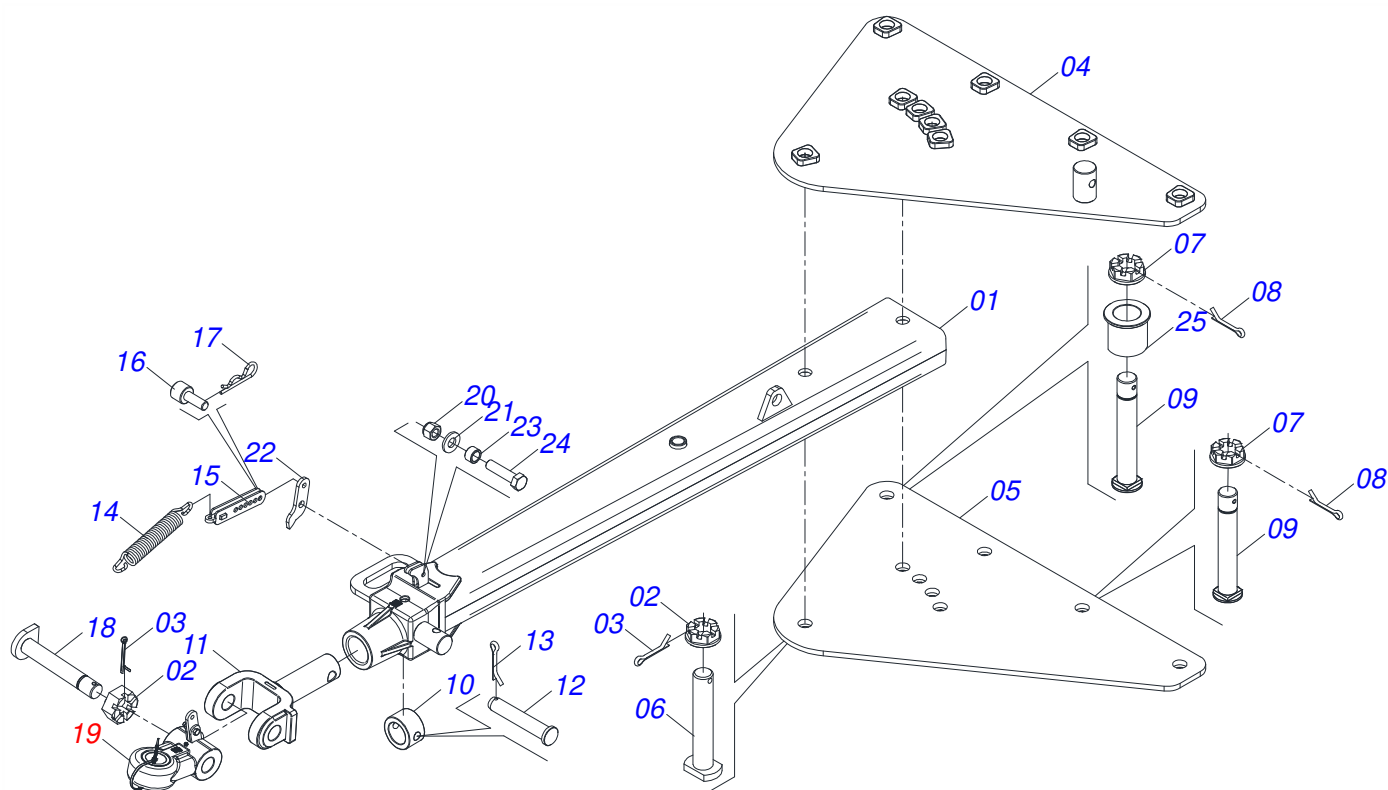
0909096319	16/18/20/22/24D - ASSY FRAME	.....	1
0521041823	ASSY TRACTION BAR (PIN 3)	.....	2
0531040171	ASSY HITCH	.....	3
0909092130	HEADER ARTICULATOR ASSY	.....	4
0511059199	STABILIZER BAR REGULATOR EXTENSOR	.....	5
0909092146	WHEEL SYSTEM (04 TIRES)	.....	6
0503061582	TIRE WHEELS	.....	7
0501057120	WHEEL WITHOUT TIRE	.....	8
0521051832	HYDRAULIC CYLINDER 53,98 X 114,30 X 654 X 346	.....	9
0511048088	DRAWBAR JACK	.....	10
0511059196	VALVE ASSY	.....	11
0521052190	MANUAL CANISTER ASSY	.....	12
0909093348	16/18/20/22/24D - HYDRAULIC CIRCUIT	.....	13
0501053834	MALE QUICK COUPLER	.....	14
0909096320	16/18/20/22/24D - DISC GANG SECTION	.....	15
0531041560	504 X 2.3/4 OIL BATH BEARING WITH SUPPORT	.....	16
0531041559	504 X 2.3/4 OIL BATH BEARING	.....	17



Item	Code	Description	See page	16	18	20	22	24
01	0521068243	FRAME		01	01	01	01	01
02	0511066942	FRONT FRAME - 16D		01	00	00	00	00
02.	0521062875	FRONT FRAME - 18D		00	01	00	00	00
02..	0521062873	FRONT FRAME - 20D		00	00	01	00	00
02...	0521062863	FRONT FRAME - 22D		00	00	00	01	00
02....	0521063932	FRONT FRAME - 24D		00	00	00	00	01
03	0511066943	REAR FRAME - 16D		01	00	00	00	00
03.	0521062876	REAR FRAME - 18D		00	01	00	00	00
03..	0521062874	REAR FRAME - 20D		00	00	01	00	00
03...	0521062865	REAR FRAME - 22D		00	00	00	01	00
03....	0521063942	REAR FRAME - 24D		00	00	00	00	01
04	0521041823	ASSY TRACTION BAR (PIN 3)	2	01	01	01	01	01
05	0521068250	HITCH BAR		01	01	01	01	01
06	0521063989	50,8 X 380 AXLE WITH LOCK		02	02	02	02	02
07	0501011301	1.1/2 UNC 6FPP 2.5/16 NUT		02	02	02	02	02
08	0503010010	1/4" X 2.1/2" COTTERPIN		02	02	02	02	02
09	0909092130	HEADER ARTICULATOR ASSY	4	01	01	01	01	01
10	0909092146	WHEEL SYSTEM (04 TIRES)	6	01	01	01	01	01
11	0511048088	DRAWBAR JACK	10	01	01	01	01	01
12	0561014251	COUPLING SHAFT		01	01	01	01	01
13	0503030012	HITCH PIN CLIP		01	01	01	01	01
14	0503013150	1300 X 3/8 CHAIN		01	01	01	01	01
15	0531061120	HOSE SUPPORT		01	01	01	01	01
16	0503010023	3/4" SPRING WASHER		02	02	02	02	02
17	0503010014	3/4" NUT		32	36	40	44	48
18	0501061044	2-1/8" AND 2-1/2" CABLE FLAT WRENCH		02	02	02	02	02
19	0501011432	1-1/2" AND 1-5/8 GANG BOLT WRENCH		01	01	01	01	01
20	0503016137	1-1/4" WRENCH CABLE CYLINDER		01	01	01	01	01
21	0521062858	1.1/4" WRENCH NUT		01	01	01	01	01
22	0521066937	DUCT DISTRIBUTOR OF OIL		02	02	02	02	02
23	0521066443	SUPPORT FIXER LANTERN		02	02	02	02	02

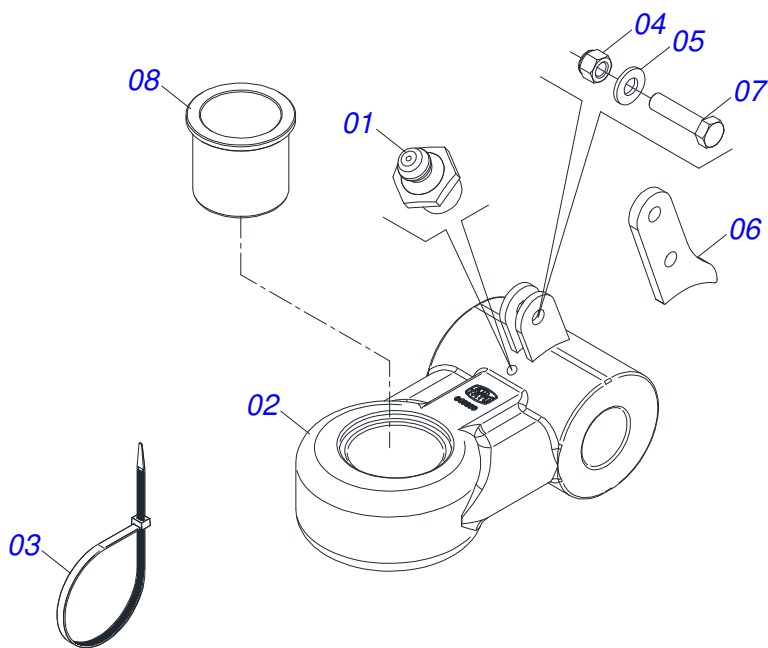


Item	Code	Description	See page	16	18	20	22	24
24	0521066624	FIXER SUPPORT LANTERN		02	02	02	02	02
25	0501010098	3/4" UNC BOLT		02	02	02	02	02
26	0503011082	C1/2" X 1.3/4" SCREW		04	04	04	04	04
27	0503010027	5/8" SPRING WASHER		32	36	40	44	48
28	0503010060	1/2" NUT		04	04	04	04	04
29	0502010477	HOSE CLAMP		05	05	05	05	05
30	0503011135	BOLT		03	03	03	03	03
31	0503011173	7/16" X 2" BOLT		02	02	02	02	02
32	0503010180	7/16" SPRING WASHER		05	05	05	05	05
33	0501012803	FLAT WASHER		04	04	04	04	04
34	0511059196	VALVE ASSY	11	01	01	01	01	01
35	0561016693	TRANSPORT LOCK		02	02	02	02	02
36	0541016844	FIXER LOCK		02	02	02	02	02
37	0503030285	HITCH PIN CLIP		02	02	02	02	02
38	0521040349	1-1/4" X 5.3/4" BOLT		08	08	08	08	08
38A	0501010954	1-1/4" X 5-3/4" BOLT		08	08	08	08	08
38B	0571010449	LOCK BOLT		08	08	08	08	08
38C	0571010448	32,50 X 75 X 16 SLEEVE		08	08	08	08	08
38D	0501010087	1.1/4" NUT		16	16	16	16	16
39	0501047895	ROD STOP		04	04	04	04	04
40	0501047885	ROD STOP		02	02	02	02	02
41	0501047886	ROD STOP		02	02	02	02	02
42	0501047887	ROD STOP		02	02	02	02	02
43	0501047888	ROD STOP		02	02	02	02	02
44	0511064771	FRONT SCRAPER SUPPORT		16	18	20	22	24
45	0521013678	FRONT CLEANER		08	09	10	11	12
46	0521013679	REAR CLEANER		08	09	10	11	12
47	0503012195	5/8" NUT		32	36	40	44	48
48	0503010013	5/8" NUT		32	36	40	44	48
49	0501010500	3/4"X3"BOLT		32	36	40	44	48
50	0541010763	FLAT WASHER		64	72	80	88	96
51	0503010002	1800 GREASE FITTING		10	10	10	10	10
52	0503010019	1/2" SPRING WASHER		04	04	04	04	04
53	0503010523	1/4" X 2" COTTERPIN		01	01	01	01	01
54	0521052190	MANUAL CANISTER ASSY	12	01	01	01	01	01
55	0909093348	16/18/20/22/24D - HYDRAULIC CIRCUIT	13	01	01	01	01	01
56	0503031087	ADHESIVE LABEL		01	01	01	01	01
56.	0503031428	READ MANUAL DECAL		01	01	01	01	01
56..	0503031738	ADHESIVE LABEL		01	01	01	01	01
56...	0503031739	ADHESIVE LABEL		01	01	01	01	01
56....	0503031827	LUBRICATE AND RETIGHTEN DAILY DECAL		01	01	01	01	01
56.....	0503033038	DANGER SIGN		01	01	01	01	01
56.....	0503033428	ADHESIVE LABEL		01	01	01	01	01
56.....	0503034078	LIFTING POINTS DECAL		04	04	04	04	04
56.....	0503034499	HOSE IDENTIFICATION DECAL		01	01	01	01	01
56.....	0503034977	ADHESIVE LABEL		01	01	01	01	01
57	0503034003	SERIAL NUMBER TAG 61 X 118		01	01	01	01	01
58	0503010001	3.2 X 5.5 RIVET		04	04	04	04	04
59	0909096320	16/18/20/22/24D - DISC GANG SECTION	15	16	18	20	22	24

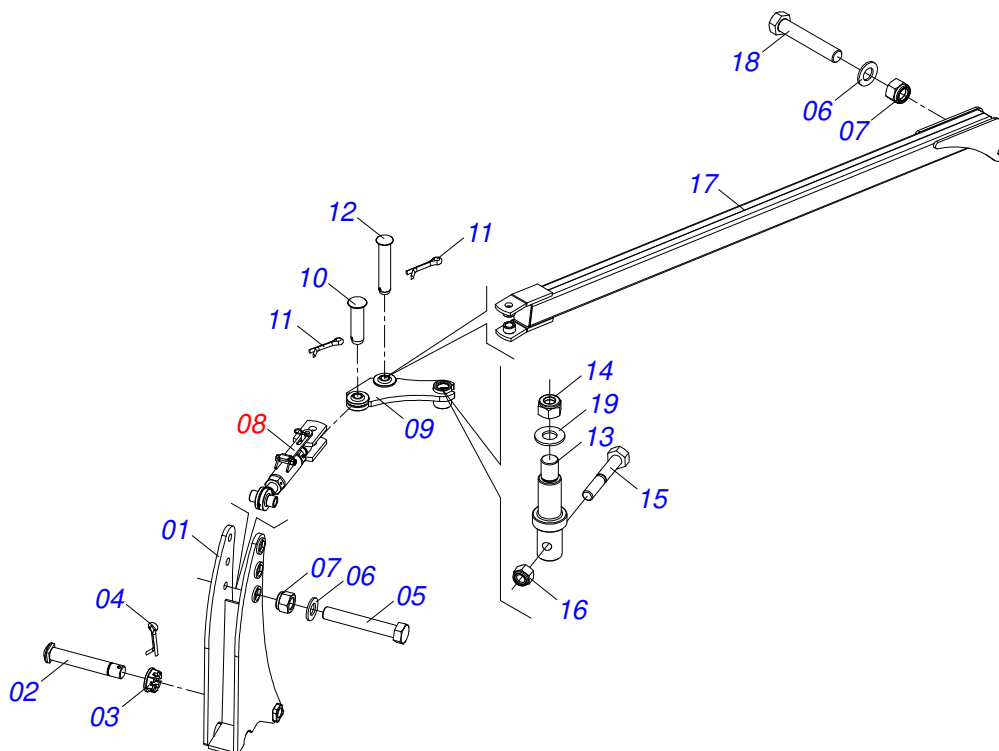


Item	Code	Description	See page	QT
01	0521068249	BAR TRACTION (AXLE 2)		01
02	0502040558	2" CASTLE NUT		02
03	0503010074	3/8 X 0,15" COTTERPIN		02
04	0521068246	UPPER PLATE (AXLE 2)		01
05	0521068247	LOWER PLATE (AXLE 2)		01
06	0521068248	SHAFT JUNCTION WITH LOCK (50,80 X 273)		01
07	0501811301	CASTLE NUT		05
08	0503010010	1/4" X 2.1/2" COTTERPIN		05
09	0521811880	37,50 X 230 X PQ R.1/2 JUNCTION AXLE		05
10	0502040263	ANEL TRAVA ENGATE		01
11	1902040897	TRACTOR HITCH		01
12	0561017306	COUPLING SHAFT		01
13	0503010523	1/4" X 2" COTTERPIN		01
14	0503031741	1.8" X 11.4" 0.3" TRACTION SPRING		01
15	0531061607	SPRING REGULATOR		01
16	0591014558	SPRING REGULATOR FIXER AXLE		01
17	0503030285	HITCH PIN CLIP		01
18	0531061122	AXIS ARTICULATOR		01
19	0531040171	ASSY HITCH	3	01
20	0503010589	1/2" UNC SELF ADJUSTING NUT		01
21	0501010937	13.5 X 28 X 3 FLAT WASHER		01
22	0591014554	REAR EAR FIXING SPRING		01
23	0591014552	SLEEVE		01
24	0503010740	BOLT 1/2 UNC X 2 CS G.5 ZN		01
25	0591013086	SLEEVE		01

ASSY HITCH

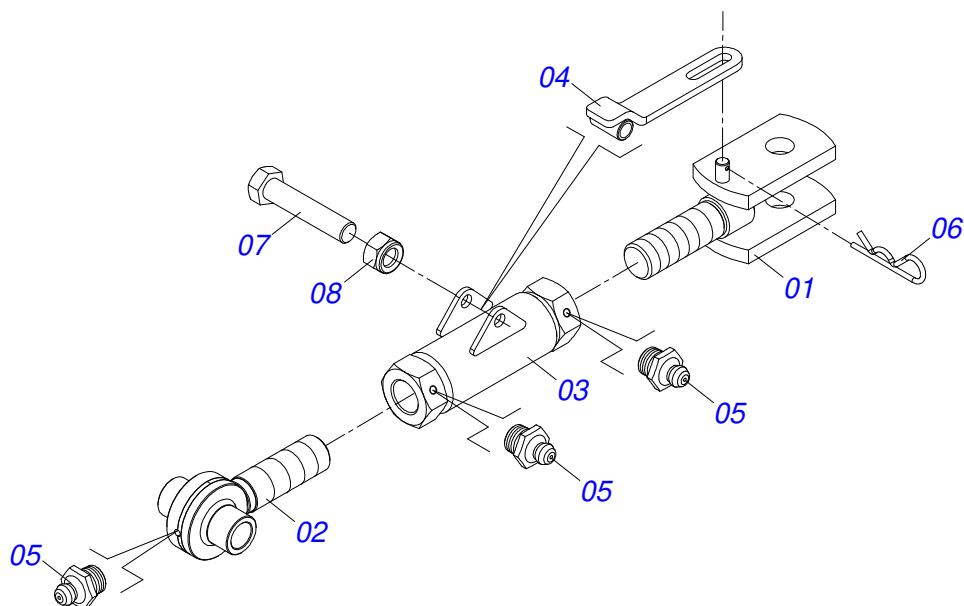


Item	Code	Description	See page	QT
01	0503010002	1800 GREASE FITTING		01
02	0531061121	HITCH		01
03	0503018829	NYLON CLAMP		01
04	0503010589	1/2" UNC SELF ADJUSTING NUT		01
05	0501010937	13.5 X 28 X 3 FLAT WASHER		01
06	0591014555	FRONT EAR FIXING SPRING		01
07	0503010740	BOLT 1/2 UNC X 2 CS G.5 ZN		01
08	0591013448	SLEEVE		01

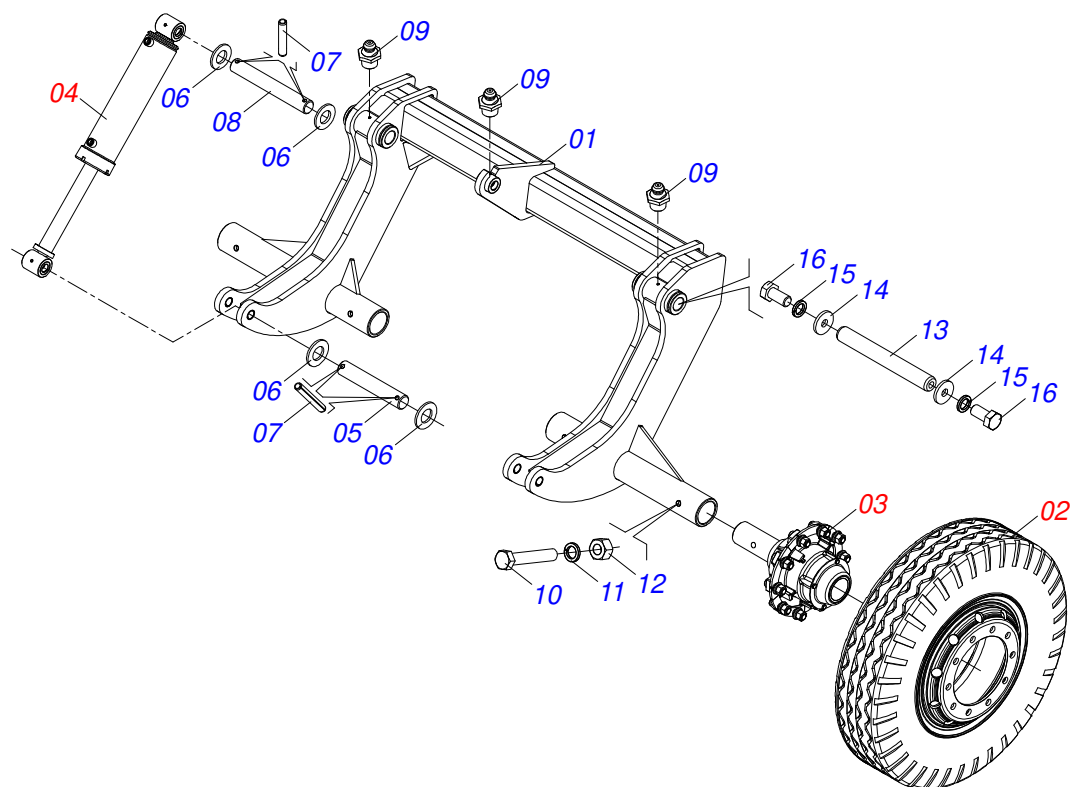


Item	Code	Description	See page	QT
01	0521066758	HEADER ARTICULATOR		01
02	0521012053	1.5" X 8.6" AXLE		01
03	0501011301	1.1/2 UNC 6FPP 2.5/16 NUT		01
04	0503010010	1/4" X 2.1/2" COTTERPIN		01
05	0521017351	1-1/4" X 8" BOLT		01
06	0501017779	32 X 60 X 4.75 FLAT WASHER		01
07	0503010817	1.1/4" SELF LOCKING NUT		02
08	0511059199	STABILIZER BAR REGULATOR EXTENSOR	5	01
09	0521066960	ARTICULADOR STABILIZER BAR		01
10	0521010780	1.2" X 4.5" COUPLING SHAFT		01
11	0503010523	1/4" X 2" COTTERPIN		02
12	0581011919	31,75 X 170 ZN COUPLING SHAFT		01
13	0581011775	EJE PIVOT SHAFT STABILIZER BAR		01
14	0503010290	SELF ADJUSTING 1.1/2" UNF NUT		01
15	0501010216	3/4" X 4-1/2" BOLT		01
16	0503011075	3/4" UNC NUT		01
17	0521066759	STABILIZER BAR		01
18	0503013321	SCREW 1.1/4 UNF X 7 C S G.8 ZN		01
19	0501010287	FLAT WASHER		01

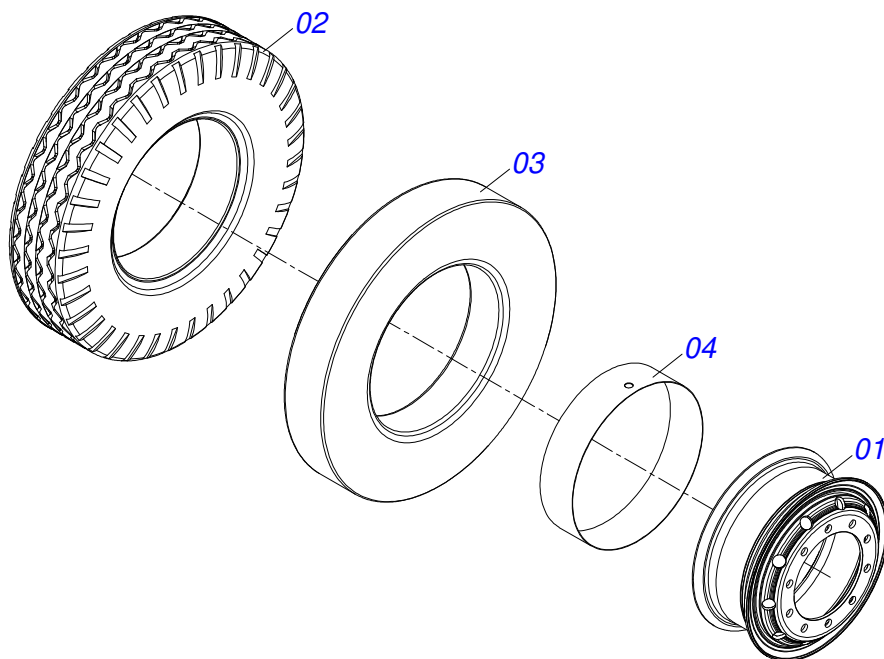




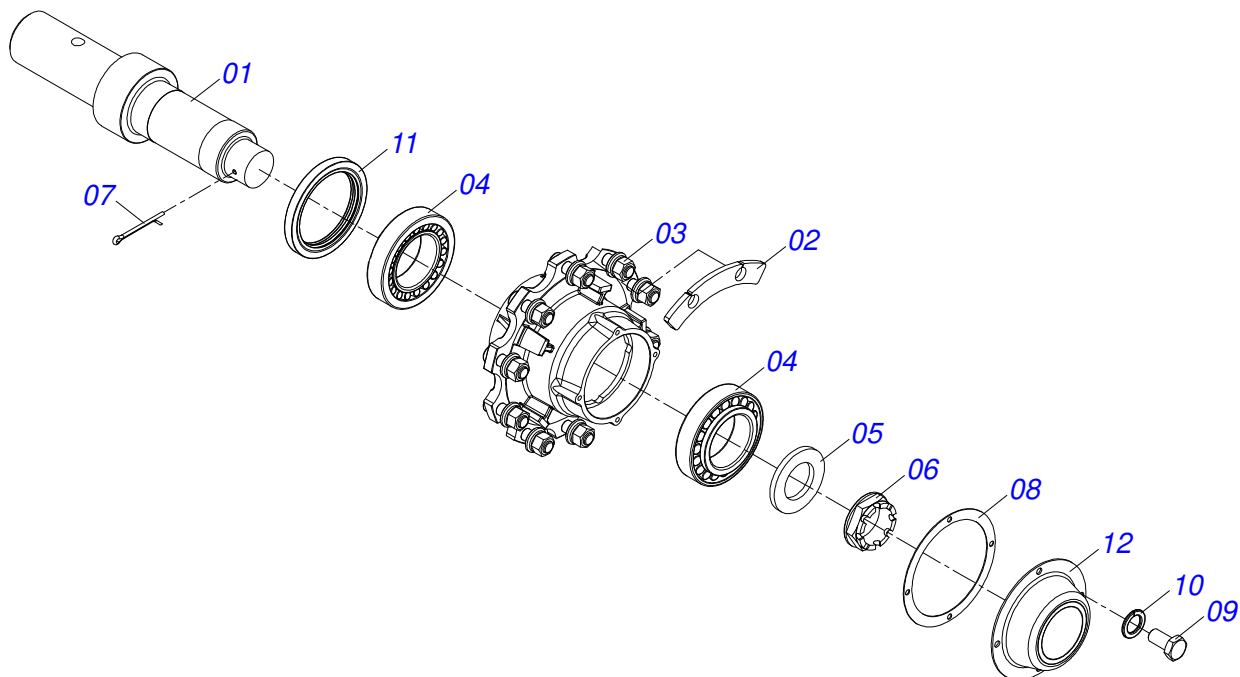
Item	Code	Description	See page	QT
01	0521066962	JACK CRANK C/O. R.1.3/4 ESQUERDO		01
02	0521066965	JACK CRANK NUT FIXER R.1.3/4 UNC DIREITO		01
03	0521066963	ADJUSTMENT NUT R.1.3/4 UNC (245)		01
04	0521066964	LEVER STABILIZER OF TENSOR REGULATOR		01
05	0503010002	1800 GREASE FITTING		03
06	0503030285	HITCH PIN CLIP		01
07	0503010806	5/8" X 3" BOLT		01
08	0503010878	5/8" SELF ALIGNING NUT		01



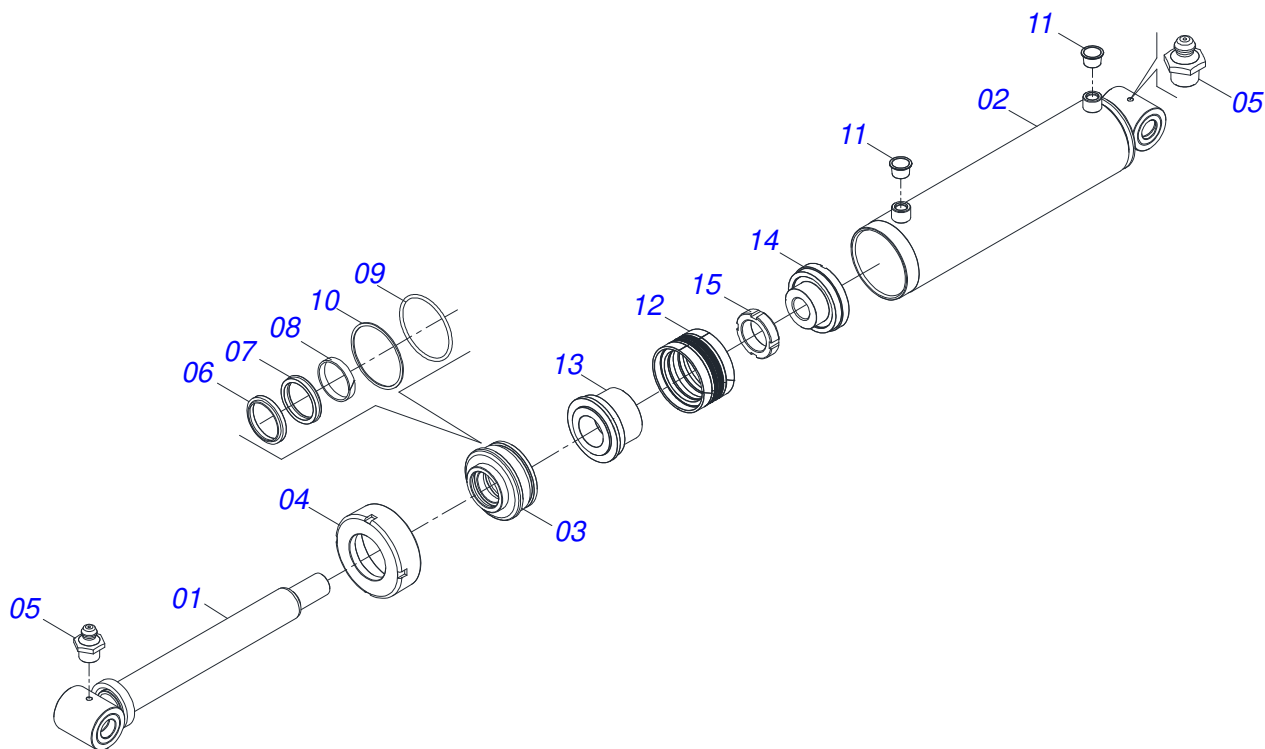
Item	Code	Description	See page	QT
01	0521066478	CARRYNG-WHEELS		01
02	0503061582	TIRE WHEELS	7	04
03	0501057120	WHEEL WITHOUT TIRE	8	04
04	0521051832	HYDRAULIC CYLINDER 53,98 X 114,30 X 654 X 346	9	02
05	0531018101	1.2" X 6.3" PIVOT SHAFT		02
06	0501017779	32 X 60 X 4.75 FLAT WASHER		08
07	0503011877	0.3" X 2.4" SPRING PIN		08
08	0531018105	1.2" X 11.8" PIVOT SHAFT		02
09	0503010002	1800 GREASE FITTING		03
10	0503011198	C3/4" X 6" SCREW		04
11	0503010023	3/4" SPRING WASHER		04
12	0503010014	3/4" NUT		04
13	0531018062	COUPLING SHAFT		02
14	0521011565	FLAT WASHER		04
15	0503010012	1" SPRING WASHER		04
16	0503011250	1" X 2" BOLT		04



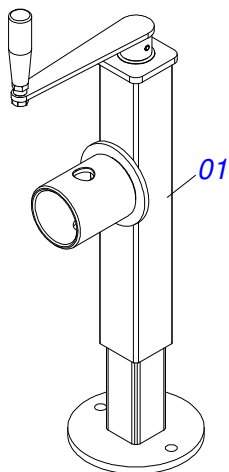
Item	Code	Description	See page	QT
01	0503014184	7.00 X 20" WHEEL		01
02	0503010494	9.0LX 20" X 14 PLY, TIRE		01
03	0503010057	INNER TIRE		01
04	0503010470	PROTECTION		01



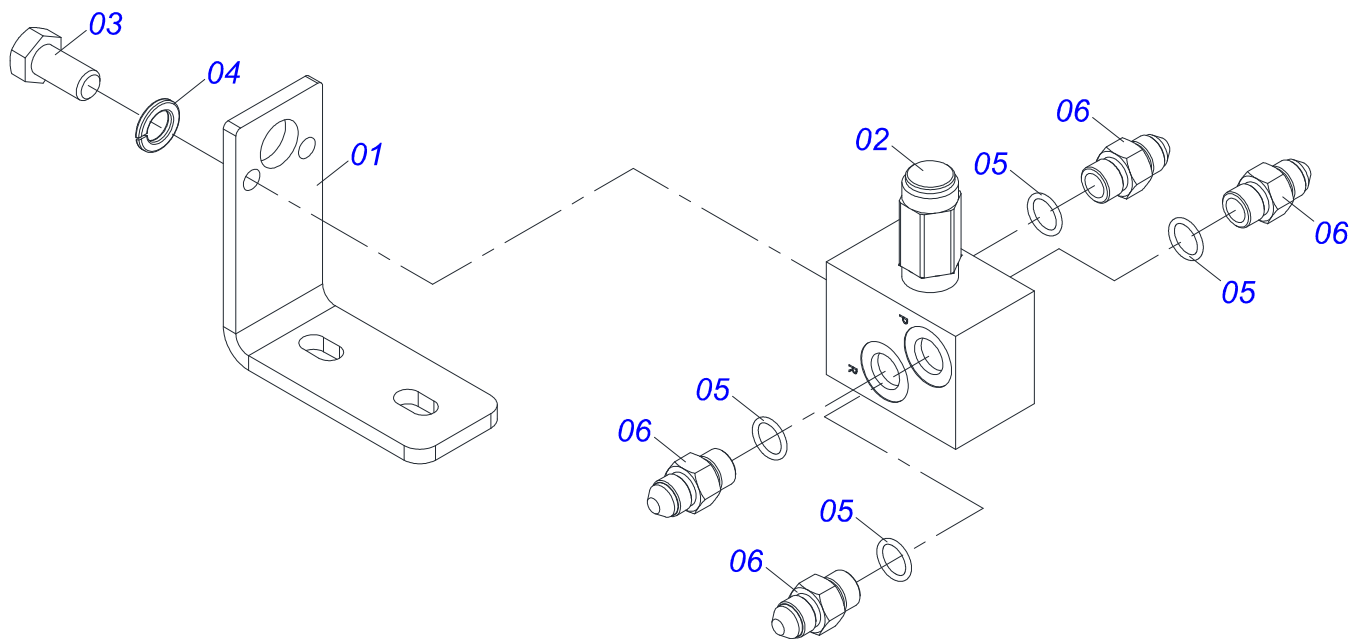
Item	Code	Description	See page	QT
01	0551011426	POINT AXIS R2.1/2UN		01
02	0561015521	FLANGE		05
03	0501110761	HUB AND BOLT		01
04	0503010118	32218 BEARING		02
05	0531019986	64 X 110 X 9.5 FLAT WASHER		01
06	0502040080	FLANGE NUT R.2.1/2 UN		01
07	0503012213	1/4" COTTERPIN		01
08	0503013548	JOINT CORK		01
09	0503013546	BOLT SX MA5,8 M10X1,5X20ZA DI		04
10	0503013542	M10 SPRING WASHER		04
11	0503013541	RETAINER		01
12	0503013549	HUB COVER		01



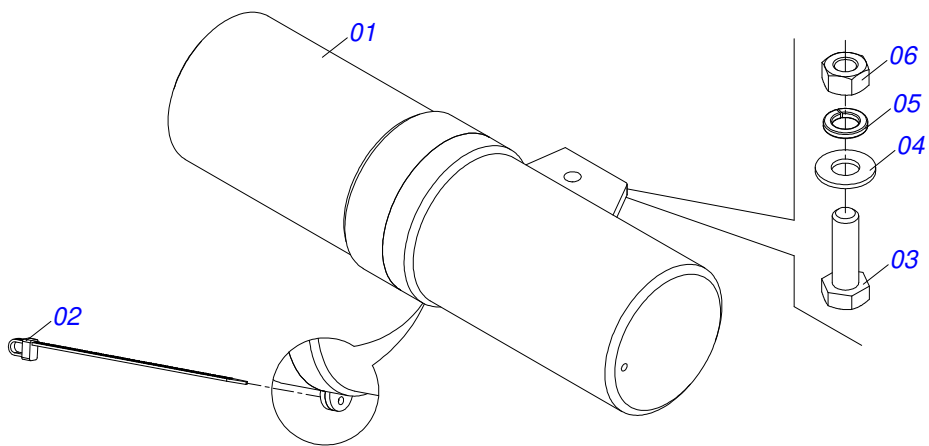
Item	Code	Description	See page	QT
01	0521061684	56,98 X 590,50 TURNBUCKLE		01
02	0521061685	114,30 X 500 CYLINDER CASE		01
03	0502012644	RING SUPPORT		01
04	0502011222	0.56" END CAP		01
05	0503010002	1800 GREASE FITTING		02
06	0503015715	SCRAPER SEALING		01
07	0503015642	U-CUP SEALING		01
08	0503015641	WEAR RING		00
09	0503011892	O' RING, 2-346 N 3006-9B		01
10	0503011893	BACK-UP RING, 8-346		01
11	0503030384	CON PLUG N-001		02
12	0503015640	SEALING SELEMASTER		01
13	0561016578	PISTON BODY		01
14	0581015283	BODY		01
15	0503819100	SCREW		01
16	0501038027	HYDRAULIC CYLINDER REPAIR KIT		01



Item	Code	Description	See page	QT
01	0503062227	DRAWBAR JACK		01

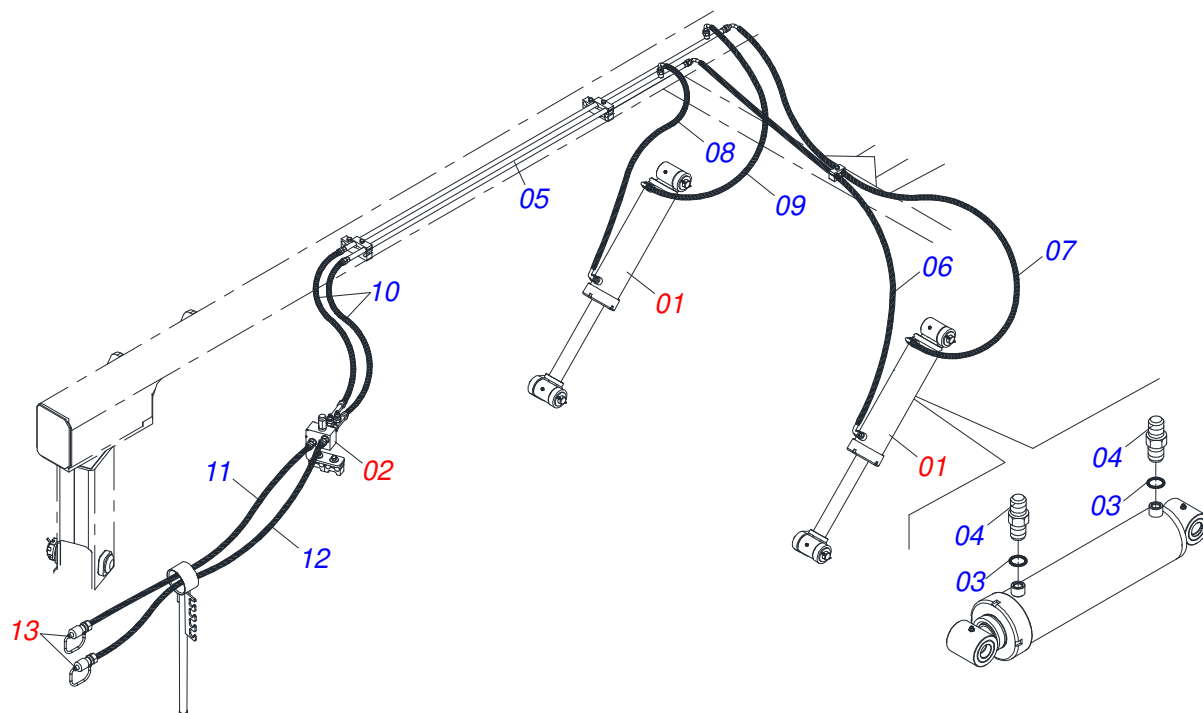


Item	Code	Description	See page	QT
01	0581011745	VALVE SUPPORT		01
02	0503010919	DISCHARGE VALVE		01
03	0503011334	BOLT 3/8 UNC X 3/4 CS G.5 ZN		02
04	0503010025	3/8" SPRING WASHER		02
05	0503010190	2-114 N 3006-9B O'RING		04
06	0501010617	3/4" NIPPLE		04

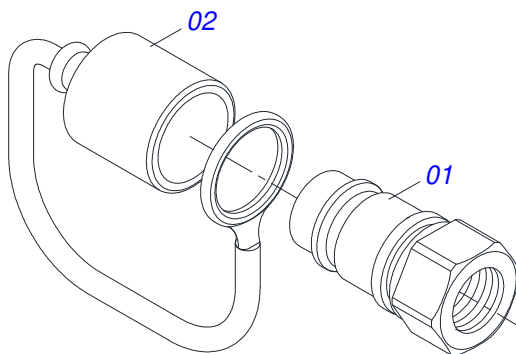


Item	Code	Description	See page	QT
01	0503060100	OPERATOR'S MANUAL STORAGE TUBE		01
02	0503010267	NYLON CLAMP		01
03	0503010363	5/16" X 1" BOLT		01
04	0501010694	FLAT WASHER		01
05	0503010179	LOCK WASHER		01
06	0503010337	5/16" NUT		01

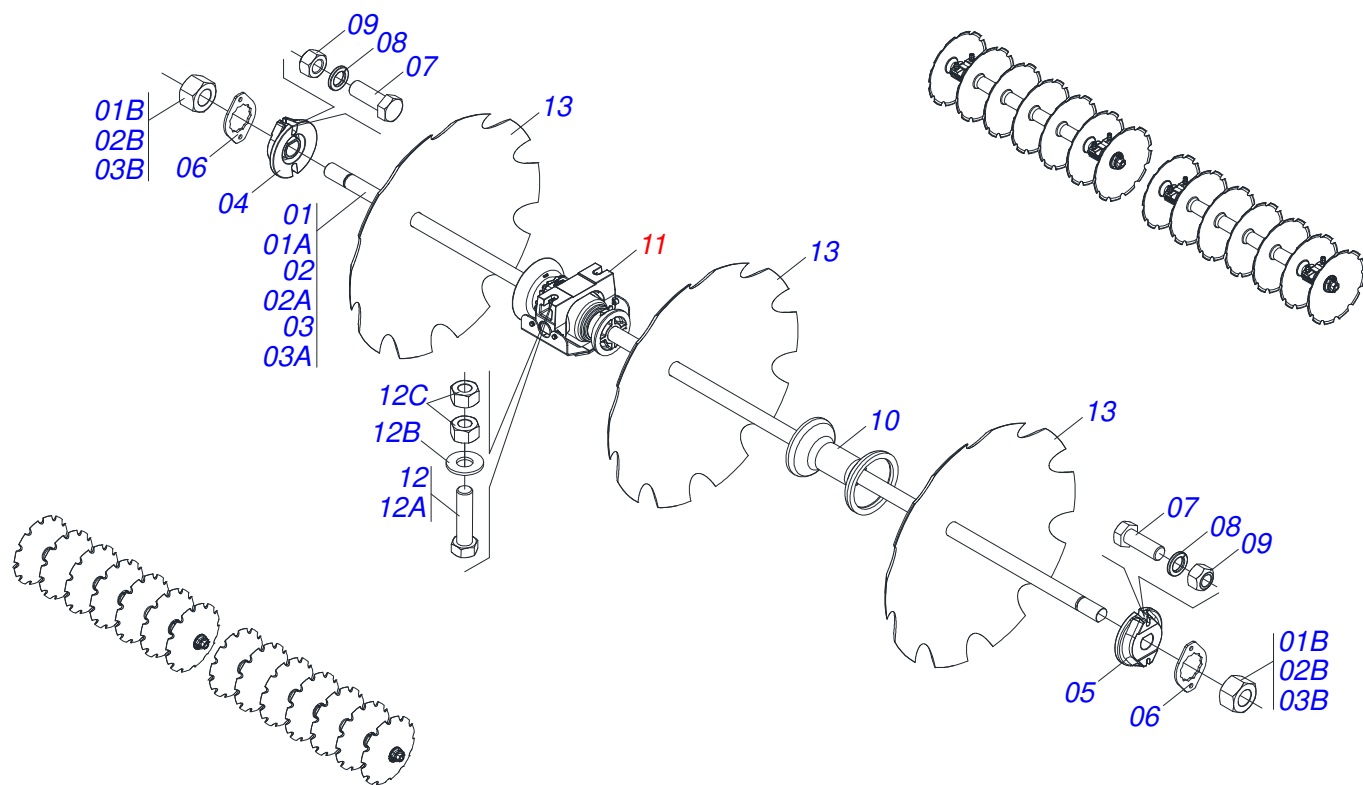




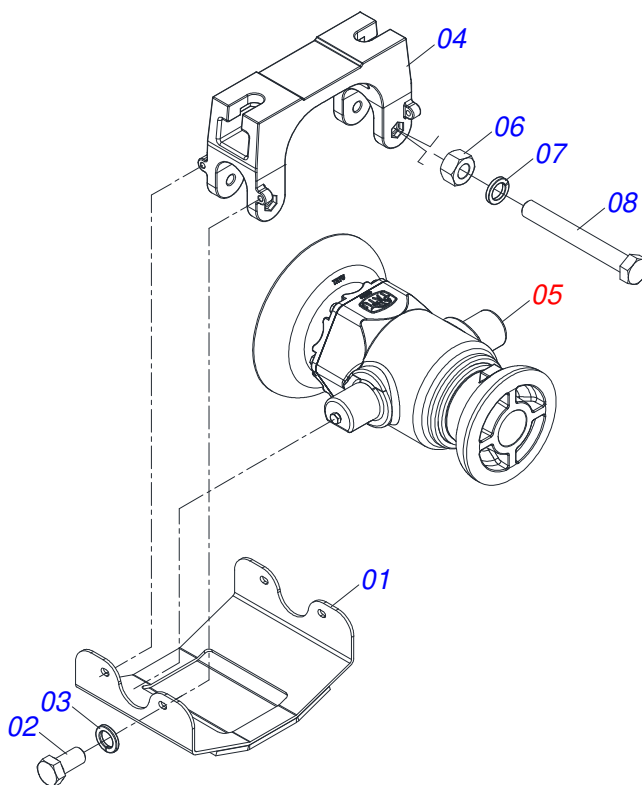
Item	Code	Description	See page	QT
01	0521051832	HYDRAULIC CYLINDER 53,98 X 114,30 X 654 X 346	9	02
02	0511059196	VALVE ASSY	11	01
03	0503010190	2-114 N 3006-9B O'RING		04
04	0501010617	3/4" NIPPLE		04
05	0521066937	DUCT DISTRIBUTOR OF OIL		02
06	0501080432	3/8 X 2600 TC-TC HOSE ASSY		01
07	0501080393	3/8 X 2200 TC-TC HOSE		01
08	0501080065	3/8 X 1200 TC-TC HOSE		01
09	0501080931	3/8" X 39" TC-TC HOSE ASSY		01
10	0501080106	TR-TR HOSE ASSY		02
11	0521052495	HOSE 3/8 X 5500 TR-TM BLACK/RED		01
12	0521052496	HOSE 3/8 X 5500 TR-TM BLACK/BLUE		01
13	0501053834	MALE QUICK COUPLER	14	02



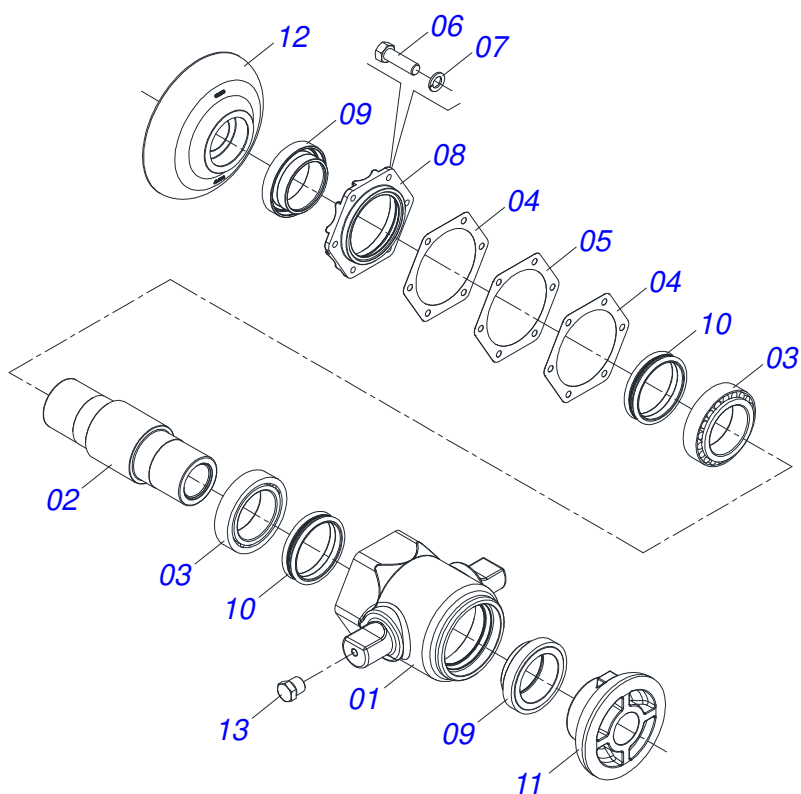
Item	Code	Description	See page	QT
01	0503011627	MALE QUICK COUPLER AGR 1/2 NPT		01
02	0503011882	MALE QUICK COUPLER CAP		01



Item	Code	Description	See page	16	18	20	22	24
01	0511047976	2.3/4 X 1810 AXLE WITH NUTS		04	02	00	00	00
01A	0501212475	2.3/4 X 1810 AXLE		04	02	00	00	00
01B	0501212474	2.3/4 X 70 NUT		08	04	00	00	00
02	0511047977	2.3/4 X 2315 AXLE WITH NUTS		00	02	04	02	00
02A	0501212476	2.3/4 X 2315 AXLE		00	02	04	02	00
02B	0501212474	2.3/4 X 70 NUT		00	04	08	04	00
03	0511047978	2.3/4 X 2815 AXLE WITH NUTS		00	00	00	02	04
03A	0501212634	2.3/4 X 2815 AXLE		00	00	00	02	04
03B	0501212474	2.3/4 X 70 NUT		00	00	00	04	08
04	0502012985	2.3/4 AXLE EXTERNAL LOCK		04	04	04	04	04
05	0502012986	2.3/4 AXLE INTERNAL LOCK		04	04	04	04	04
06	0541010368	NUT LOCK		08	08	08	08	08
07	0503010232	5/8" X 1.3/4" BOLT		16	16	16	16	16
08	0501012140	FLAT WASHER		16	16	16	16	16
09	0503012412	5/8 UNC SELF LOCKING NUT		16	16	16	16	16
10	0591016732	495 X 2.1/2 - 2.3/4 SPACER		04	06	08	10	12
11	0531041560	504 X 2.3/4 OIL BATH BEARING WITH SUPPORT	16	08	08	08	08	08
12	0531040741	ASSY 1.1/4 UNC X 5 BOLT		16	16	16	16	16
12A	0503011347	1.1/4" X 5" BOLT		16	16	16	16	16
12B	0571010448	32,50 X 75 X 16 SLEEVE		16	16	16	16	16
12C	0501010087	1.1/4" NUT		32	32	32	32	32
13	0602048111	36 X 12 MM NOTCHED DISC		16	18	20	22	24
13.	0602050017	38 X 12 MM NOTCHED DISC		16	18	20	22	24
13..	0602051019	40 X 12 MM NOTCHED DISC		16	18	20	22	24
13...	0602052031	42 X 12 MM NOTCHED DISC		16	18	20	22	24



Item	Code	Description	See page	QT
01	0531062887	PROTECTION CAP		01
02	0503010834	1/2 X 1 BOLT		04
03	0503010019	1/2" SPRING WASHER		04
04	0502013003	2.3/4 BEARING SUPPORT		01
05	0531041559	504 X 2.3/4 OIL BATH BEARING	17	01
06	0503010014	3/4" NUT		02
07	0503011442	3/4" SPRING WASHER		02
08	0503011198	C3/4" X 6" SCREW		02



Item	Code	Description	See page	QT
01	0502013004	2.1/2 - 2.3/4 HOUSING BEARING		01
02	0502040906	2.1/2 - 2.3/4 BEARING AXLE		01
03	0503019996	33022 ROLLER BEARING		02
04	0503035373	170,50 X 0,40 JOINT		02
05	0503035372	170,50 X 0,20 JOINT		01
06	0503010920	1/2" X 1.1/2" BOLT		06
07	0503011440	SPRING WASHER		06
08	0502012982	HOUSING CAP		01
09	0502012984	SEAL RETAINER		02
10	0503035371	RETAINER		02
11	0502012980	BEARING INNER FLANGE		01
12	0502012983	BEARING OUTER FLANGE		01
13	0503010856	OIL PLUG		02
14	3402301275	TATU OIL		1,2 LT





**MARCHESAN**

**Technical Publications | Elaboration and Revision**

LEONARDO JOSÉ DA SILVA SOUZA

[www.marchesan.com.br](http://www.marchesan.com.br)

