

**OFFSET DISK HARROW**

**GASPM-EHD 10020 - 2.3/4" AXLE -  
10/12/16/20D**

**Code:** 0501093336

**Series:** S-0322

**Revision:** 00

**Date Revision:** MAIO/2022

# PARTS CATALOGUE



**MARCHESAN**



# PRODUCTS

Code	Description
0102080141	GASPM-EHD 10020 10X36X12 DR DMO E 2.3/4 S-0322
0102080146	GASPM-EHD 10020 10X38X12 DR DMO E 2.3/4 S-0322
0102080152	GASPM-EHD 10020 10X40X12 DR DMO E 2.3/4 S-0322
0102080153	GASPM-EHD 10020 10X42X12 DR DMO E 2.3/4 S-0322
0102080154	GASPM-EHD 10020 12X36X12 DR DMO E 2.3/4 S-0322
0102080160	GASPM-EHD 10020 12X38X12 DR DMO E 2.3/4 S-0322
0102080161	GASPM-EHD 10020 12X40X12 DR DMO E 2.3/4 S-0322
0102080162	GASPM-EHD 10020 12X42X12 DR DMO E 2.3/4 S-0322
0102080163	GASPM-EHD 10020 16X36X12 DR DMO E 2.3/4 S-0322
0102080164	GASPM-EHD 10020 16X38X12 DR DMO E 2.3/4 S-0322
0102080167	GASPM-EHD 10020 16X40X12 DR DMO E 2.3/4 S-0322
0102080183	GASPM-EHD 10020 16X42X12 DR DMO E 2.3/4 S-0322
0102080184	GASPM-EHD 10020 20X36X12 DR DMO E 2.3/4 S-0322
0102080185	GASPM-EHD 10020 20X38X12 DR DMO E 2.3/4 S-0322
0102080202	GASPM-EHD 10020 20X40X12 DR DMO E 2.3/4 S-0322
0102080203	GASPM-EHD 10020 20X42X12 DR DMO E 2.3/4 S-0322

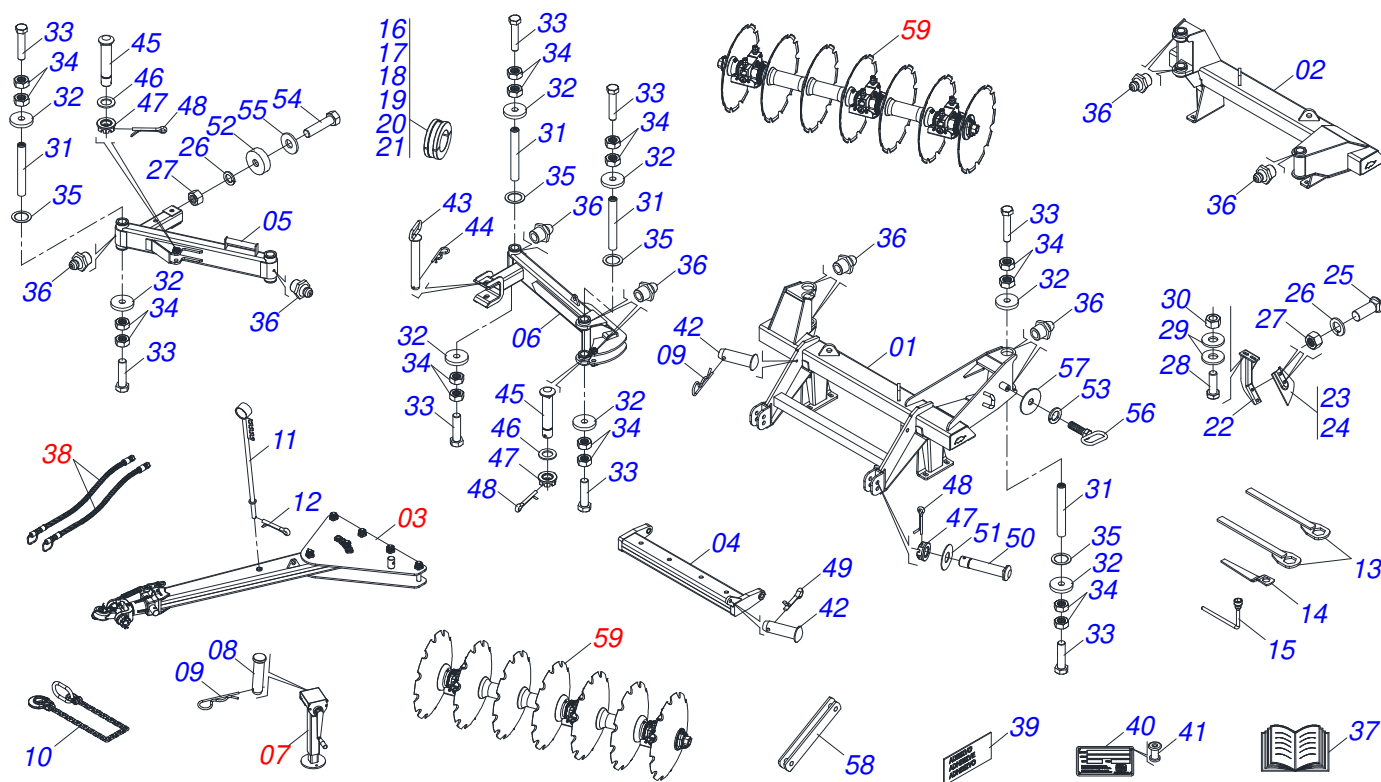
## ATTENTION: IMPORTANT

Marchesan S.A. reserves the right to improve and/or modify the technical features of its products, without obligation to do the same with those products already sold and without prior knowledge of the dealer or the consumer. The photos are only illustrative.



# INDEX

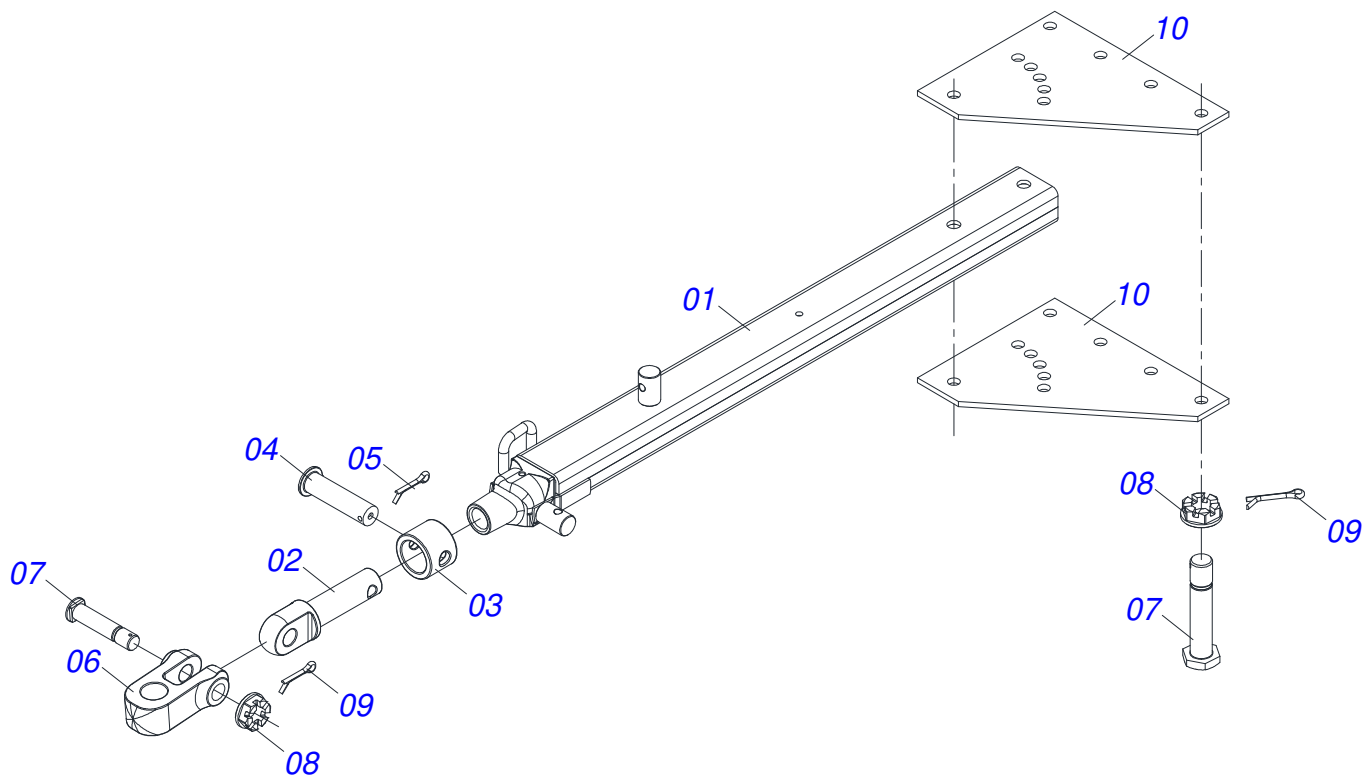
0909096325	10/12/16/20D - ASSY FRAME	.....	1
0511041545	ASSY TRACTION BAR (PIN 3)	.....	2
0511041592	ASSY TRACTION BAR (PIN 3)	.....	3
0521041823	ASSY TRACTION BAR (PIN 3)	.....	4
0531040171	ASSY HITCH	.....	5
0511048088	DRAWBAR JACK	.....	6
0909091815	HYDRAULIC CIRCUIT	.....	7
0511043185	HYDRAULIC CYLINDER 63,50 X 150 X 770 X 310	.....	8
0511044812	63,50 X 150 X 950 X 550 HYDRAULIC CYLINDER	.....	9
0501055696	DISCHARGE VALVE OFS ASSY	.....	10
0501053834	MALE QUICK COUPLER	.....	11
0909096326	10/12/16/20D - DISC GANG SECTION	.....	12
0531041560	504 X 2.3/4 OIL BATH BEARING WITH SUPPORT	.....	13
0531041559	504 X 2.3/4 OIL BATH BEARING	.....	14



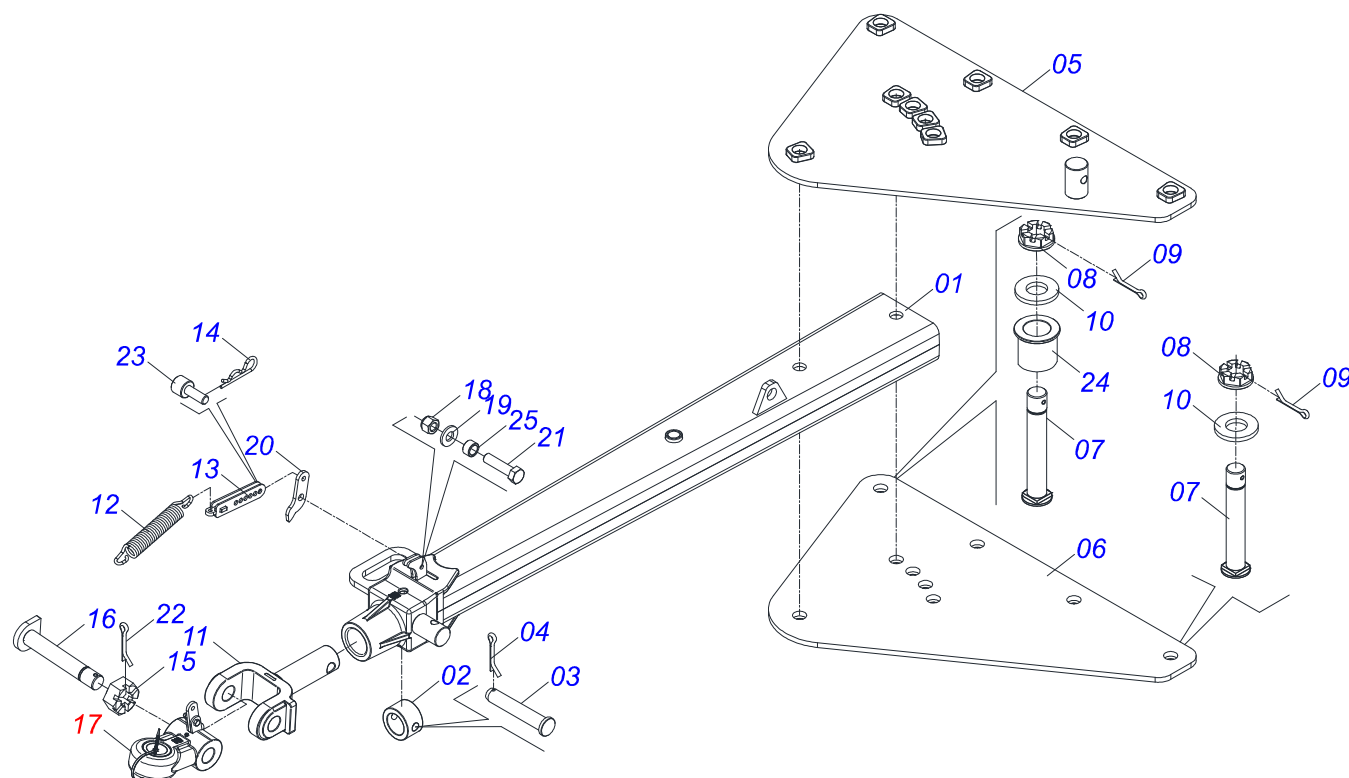
Item	Code	Description	See page	10	12	16	20
01	0521063465	FRONT FRAME		01	00	00	00
01.	0511067220	FRONT FRAME		00	01	00	00
01..	0511067221	FRONT FRAME		00	00	01	00
01...	0511067222	FRONT FRAME		00	00	00	01
02	0521063470	REAR FRAME		01	00	00	00
02.	0511067224	REAR FRAME		00	01	00	00
02..	0511067225	REAR FRAME		00	00	01	00
02...	0511067226	REAR FRAME		00	00	00	01
03	0511041545	ASSY TRACTION BAR (PIN 3)	2	01	00	00	00
03.	0511041592	ASSY TRACTION BAR (PIN 3)	3	00	01	00	00
03..	0521041823	ASSY TRACTION BAR (PIN 3)	4	00	00	01	01
04	0521066793	OFFSET BAR		01	01	01	01
05	0511067487	FRONT STABILIZER BAR		01	01	00	00
05.	0511067182	FRONT STABILIZER BAR		00	00	01	01
06	0511067488	REAR STABILIZER BAR		01	01	00	00
06.	0511067192	REAR STABILIZER BAR		00	00	01	01
07	0511048088	DRAWBAR JACK	6	01	01	01	01
08	0561014251	COUPLING SHAFT		01	01	01	01
09	0503030012	HITCH PIN CLIP		02	02	02	02
10	0503013150	1300 X 3/8 CHAIN		01	01	01	01
11	0531061120	HOSE SUPPORT		01	01	01	01
12	0503010523	1/4" X 2" COTTERPIN		01	01	01	01
13	0501061044	2-1/8" AND 2-1/2" CABLE FLAT WRENCH		02	02	02	02
14	0501011432	1-1/2" AND 1-5/8 GANG BOLT WRENCH		01	01	01	01
15	0503016137	1-1/4" WRENCH CABLE CYLINDER		01	01	01	01
16	0511042161	2.1/2" ROD STOP ASSY		01	01	01	01
17	0511042162	2.1/2" ROD STOP ASSY		01	01	01	01
18	0511042163	2.1/2" ROD STOP ASSY		01	01	01	01
19	0511042164	2.1/2" ROD STOP ASSY		01	01	01	01
20	0511042165	2.1/2" ROD STOP ASSY		01	01	01	01
21	0511042166	2.1/2" ROD STOP ASSY		01	01	01	01



Item	Code	Description	See page	10	12	16	20
22	0511064771	FRONT SCRAPER SUPPORT		10	12	16	20
23	0521013678	FRONT CLEANER		05	06	08	10
24	0521013679	REAR CLEANER		05	06	08	10
25	0503012195	5/8" NUT		20	24	32	40
26	0503010027	5/8" SPRING WASHER		21	25	33	41
27	0503010013	5/8" NUT		21	25	33	41
28	0501010500	3/4"X3"BOLT		20	24	32	40
29	0541010763	FLAT WASHER		40	48	64	80
30	0503010014	3/4" NUT		20	24	32	40
31	0541011899	2.9" X 20" COUPLING SHAFT		04	04	04	04
32	0511013244	FLAT WASHER		08	08	08	08
33	0503012660	1" X 4" BOLT		08	08	08	08
34	0503013635	1" NUT		16	16	16	16
35	0541011534	FLAT WASHER		04	04	04	04
36	0503010002	1800 GREASE FITTING		12	12	12	12
37	0501090010	INSTRUCTION MANUAL		01	01	01	01
38	0909091815	HYDRAULIC CIRCUIT	7	01	01	01	01
39	0503031087	ADHESIVE LABEL		01	01	01	01
39.	0503031428	READ MANUAL DECAL		01	01	01	01
39..	0503031739	ADHESIVE LABEL		01	01	01	01
39...	0503031827	LUBRICATE AND RETIGHTEN DAILY DECAL		01	01	01	01
39....	0503033038	DANGER SIGN		01	01	01	01
39.....	0503033428	ADHESIVE LABEL		02	02	02	02
39.....	0503034173	ADHESIVE LABEL		02	02	02	02
39.....	0503034438	ADHESIVE LABEL		01	01	01	01
40	0503034003	SERIAL NUMBER TAG 61 X 118		01	01	01	01
41	0503010001	3.2 X 5.5 RIVET		04	04	04	04
42	0521010573	0.9" X 3.1" COUPLING SHAFT		02	02	02	02
43	0501069350	230 PIVOT SHAFT WITH PULL		01	01	01	01
44	0503031035	HITCH PIN CLIP		01	01	01	01
45	0531018100	37,50 X 200 COUPLING SHAFT		02	02	02	02
46	0501012916	FLAT WASHER 38,50 X 66 X 4,75 ZN		02	02	02	02
47	0501011301	1.1/2 UNC 6FPP 2.5/16 NUT		04	04	04	04
48	0503010010	1/4" X 2.1/2" COTTERPIN		04	04	04	04
49	0503010571	1/4" X 1.1/2 COTTERPIN		01	01	01	01
50	0531018099	37,50 X 190 COUPLING SHAFT		02	02	02	02
51	0521011721	1.6" X 3.94" X 0.12" WASHER		02	02	02	02
52	0521011481	FRAME BATTERY		01	01	01	01
53	0503010023	3/4" SPRING WASHER		01	01	01	01
54	0501010108	5/8" X 1" BOLT		01	01	01	01
55	0501012140	FLAT WASHER		01	01	01	01
56	0501069343	WRENCH FIXER		01	01	01	01
57	0521011722	FLAT WASHER		01	01	01	01
58	0541011205	DRAWBAR LOCK SAFETY		02	02	02	02
59	0909096326	10/12/16/20D - DISC GANG SECTION	12	10	12	16	20

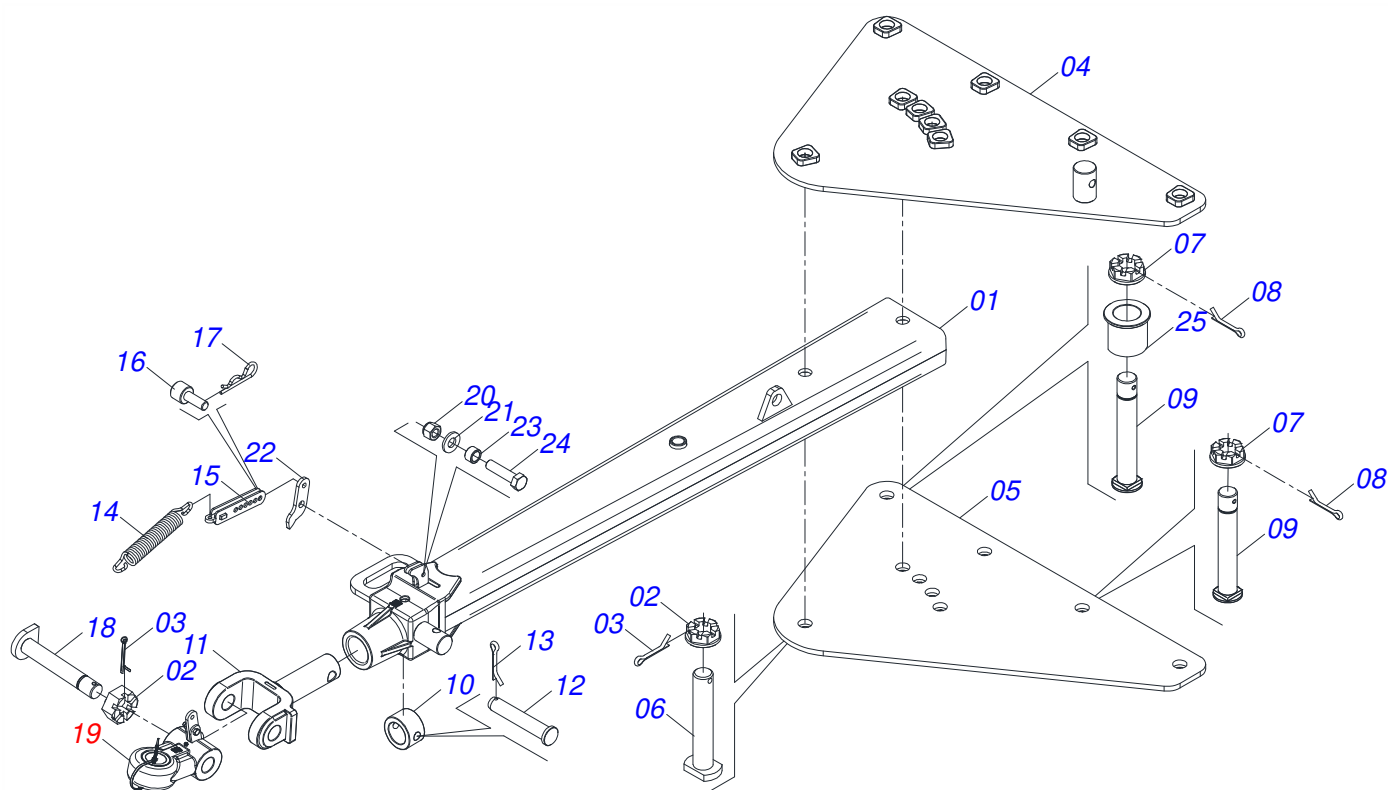


Item	Code	Description	See page	QT
01	0501069323	TRACTION BAR		01
02	0502040223	DRAWBOLT		01
03	0502040327	HITCH LOCK RING		01
04	0511014902	COUPLING SHAFT		01
05	0503010571	1/4" X 1.1/2 COTTERPIN		01
06	0502040733	TRACTOR HITCH		01
07	0501017290	1-1/2" X 7.7" BOLT		07
08	0501011301	1.1/2 UNC 6FPP 2.5/16 NUT		07
09	0503010010	1/4" X 2.1/2" COTTERPIN		07
10	0511016137	UPPER /LOWER PLATE		02



Item	Code	Description	See page	QT
01	0511064669	DRAWBAR ASSY		01
02	0502040263	ANEL TRAVA ENGATE		01
03	0561017306	COUPLING SHAFT		01
04	0503010523	1/4" X 2" COTTERPIN		01
05	0511064659	UPPER PLATE		01
06	0511064658	LOWER PLATE		01
07	0521011880	37,5 X 242 COUPLING SHAFT		06
08	0501011301	1.1/2 UNC 6FPP 2.5/16 NUT		06
09	0503010010	1/4" X 2.1/2" COTTERPIN		06
10	0501012916	FLAT WASHER 38,50 X 66 X 4,75 ZN		06
11	1902040897	TRACTOR HITCH		01
12	0503031741	1.8" X 11.4" 0.3" TRACTION SPRING		01
13	0531061607	SPRING REGULATOR		01
14	0503030285	HITCH PIN CLIP		01
15	0502040558	2" CASTLE NUT		01
16	0531061122	AXIS ARTICULATOR		01
17	0531040171	ASSY HITCH	5	01
18	0503010589	1/2" UNC SELF ADJUSTING NUT		01
19	0501010937	13,50 X 28 X 3,00 FLAT WASHER		01
20	0591014554	REAR EAR FIXING SPRING		01
21	0503010740	BOLT 1/2 UNC X 2 CS G.5 ZN		01
22	0503010074	3/8 X 0,15" COTTERPIN		01
23	0591014558	SPRING REGULATOR FIXER AXLE		01
24	0591013086	SLEEVE		01
25	0591014552	SLEEVE		01

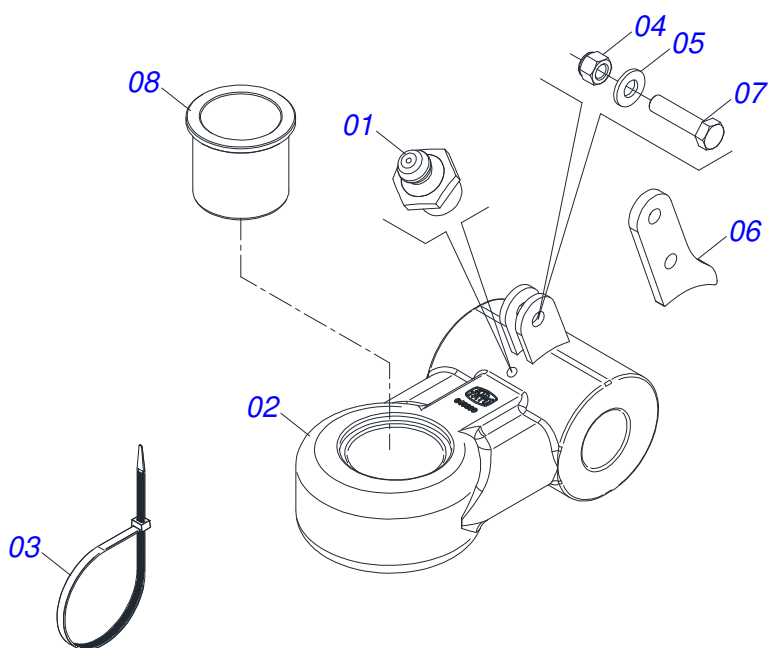
ASSY TRACTION BAR (PIN 3)



Item	Code	Description	See page	QT
01	0521068249	BAR TRACTION (AXLE 2)		01
02	0502040558	2" CASTLE NUT		02
03	0503010074	3/8 X 0,15" COTTERPIN		02
04	0521068246	UPPER PLATE (AXLE 2)		01
05	0521068247	LOWER PLATE (AXLE 2)		01
06	0521068248	SHAFT JUNCTION WITH LOCK (50,80 X 273)		01
07	0501811301	CASTLE NUT		05
08	0503010010	1/4" X 2.1/2" COTTERPIN		05
09	0521811880	37,50 X 230 X PQ R.1/2 JUNCTION AXLE		05
10	0502040263	ANEL TRAVA ENGATE		01
11	1902040897	TRACTOR HITCH		01
12	0561017306	COUPLING SHAFT		01
13	0503010523	1/4" X 2" COTTERPIN		01
14	0503031741	1.8" X 11.4" 0.3" TRACTION SPRING		01
15	0531061607	SPRING REGULATOR		01
16	0591014558	SPRING REGULATOR FIXER AXLE		01
17	0503030285	HITCH PIN CLIP		01
18	0531061122	AXIS ARTICULATOR		01
19	0531040171	ASSY HITCH	5	01
20	0503010589	1/2" UNC SELF ADJUSTING NUT		01
21	0501010937	13,50 X 28 X 3,00 FLAT WASHER		01
22	0591014554	REAR EAR FIXING SPRING		01
23	0591014552	SLEEVE		01
24	0503010740	BOLT 1/2 UNC X 2 CS G.5 ZN		01
25	0591013086	SLEEVE		01

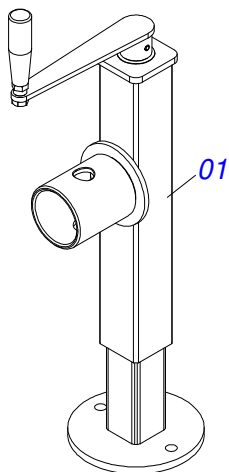


ASSY HITCH

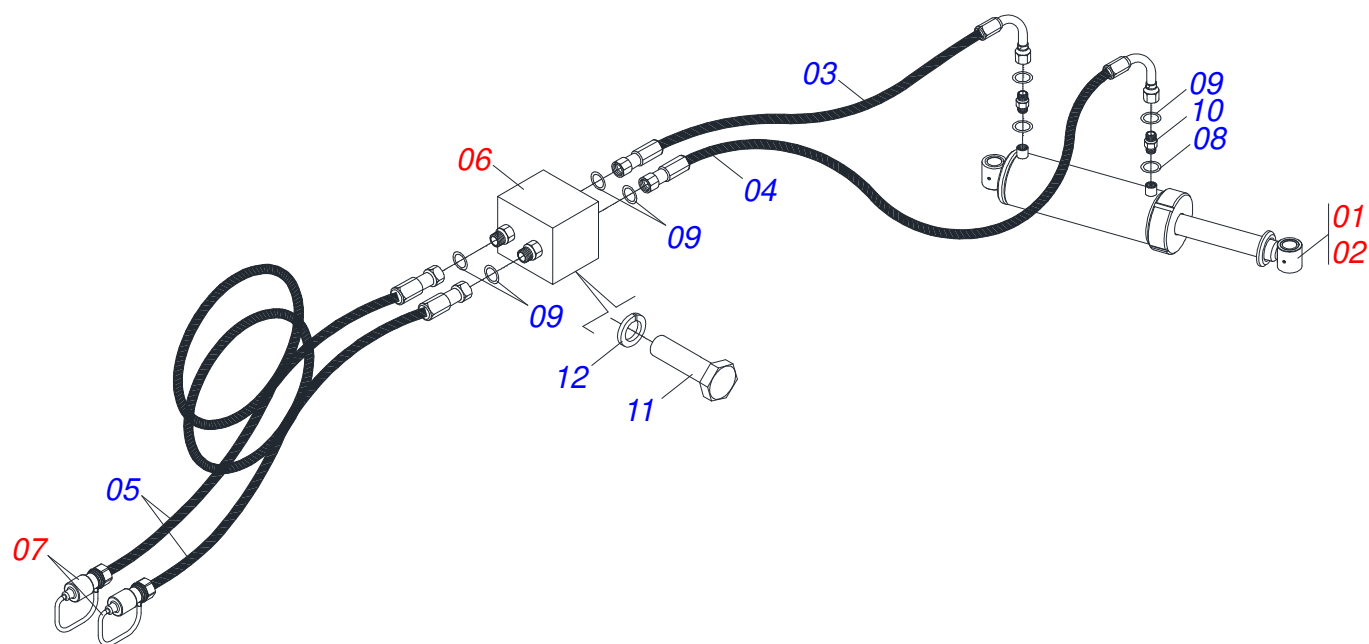


Item	Code	Description	See page	QT
01	0503010002	1800 GREASE FITTING		01
02	0531061121	HITCH		01
03	0503018829	NYLON CLAMP		01
04	0503010589	1/2" UNC SELF ADJUSTING NUT		01
05	0501010937	13,50 X 28 X 3,00 FLAT WASHER		01
06	0591014555	FRONT EAR FIXING SPRING		01
07	0503010740	BOLT 1/2 UNC X 2 CS G.5 ZN		01
08	0591013448	SLEEVE		01

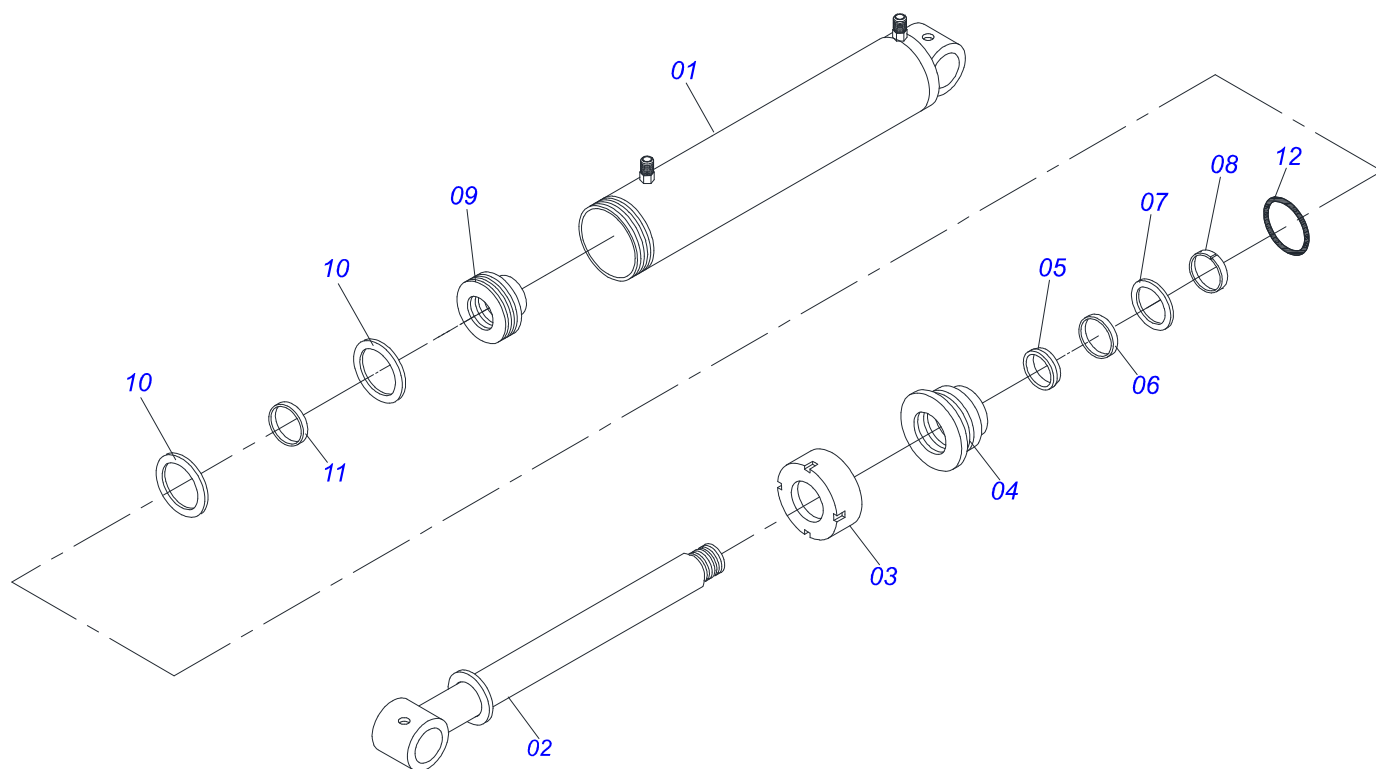
DRAWBAR JACK



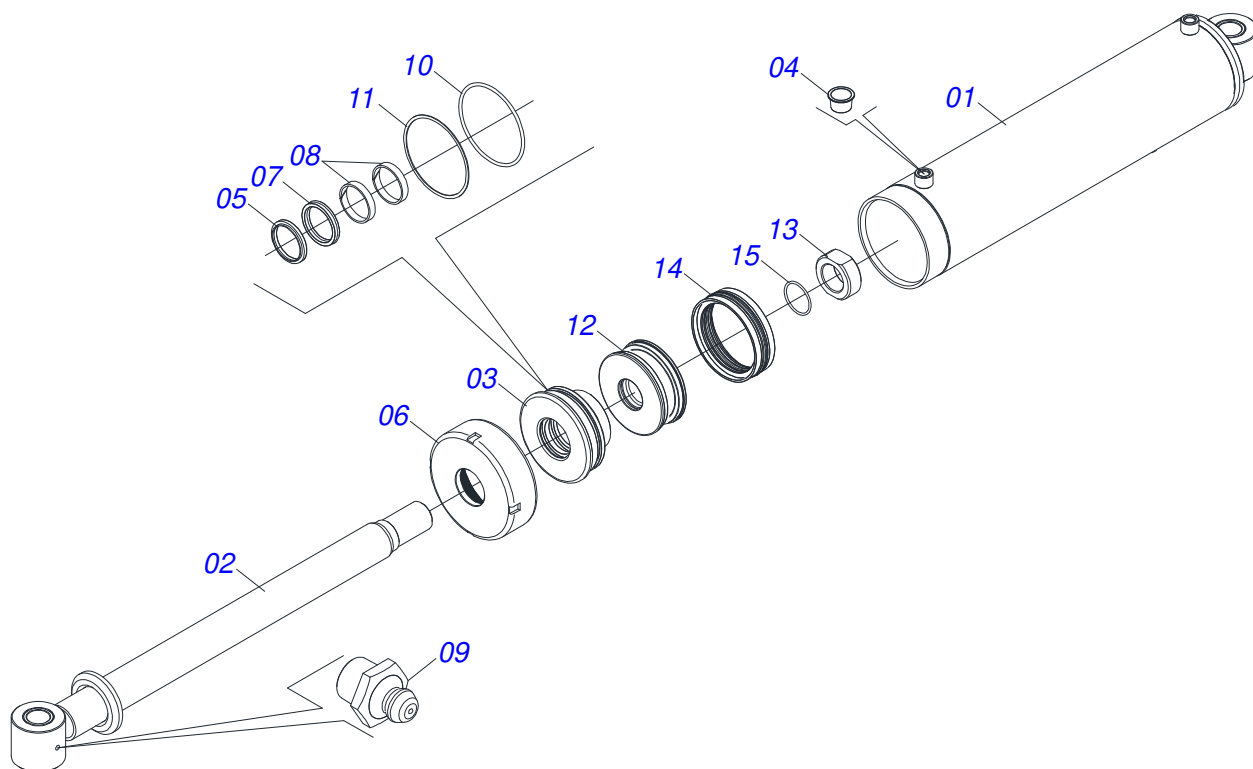
Item	Code	Description	See page	QT
01	0503062227	DRAWBAR JACK		01



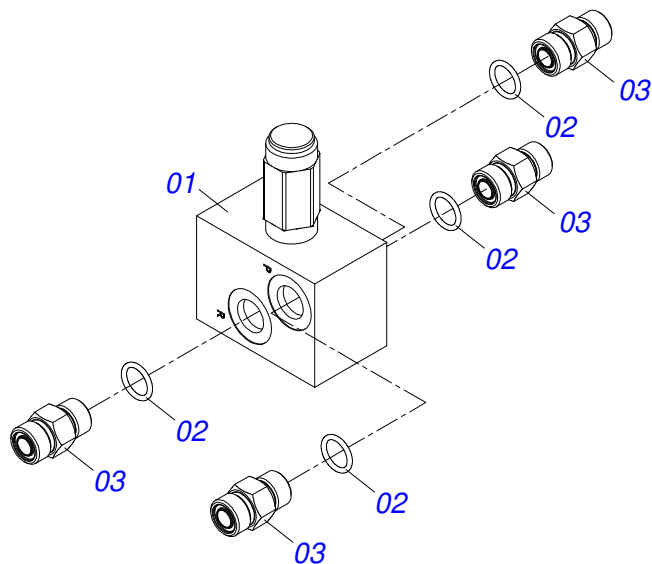
Item	Code	Description	See page	10	12	16	20
01	0511043185	HYDRAULIC CYLINDER 63,50 X 150 X 770 X 310	8	01	01	00	00
02	0511044812	63,50 X 150 X 950 X 550 HYDRAULIC CYLINDER	9	00	00	01	01
03	0501080969	1/2" X 750 TR-TC OFS HOSE		01	01	01	01
04	0501080986	1/2" X 55.12" TR-TC HOSE ASSY		01	01	01	01
05	0501080917	1/2" X 5500 TR-TM HOSE ASSY		02	02	02	02
06	0501055696	DISCHARGE VALVE OFS ASSY	10	01	01	01	01
07	0501053834	MALE QUICK COUPLER	11	02	02	02	02
08	0503010190	2-114 N 3006-9B O'RING		02	02	02	02
09	0503011030	2-014 N 3006-9B O'RING		06	06	06	06
10	0503030923	3/4" UNF X 13/16UN OFS X 40 NIPPLE		02	02	02	02
11	0503010237	3/8" X 1" BOLT		02	02	02	02
12	0503010025	3/8" SPRING WASHER		02	02	02	02



Item	Code	Description	See page	QT
01	0511065971	150 X 470 CYLINDER CASE		01
02	0511065972	63,50 X 662 TURNBUCKLE		01
03	0541010615	MOVABLE COVER		01
04	0502012375	TURNBUCKLE GUIDE		01
05	0503010287	D-2500 SCRAPER RING		01
06	0503012497	RING (TEFLON)		01
07	0503010288	PACKING 2500-2500-375-B		01
08	0503010971	W2-2750-500 PK RING G.I		01
09	0502012319	150 PISTON		01
10	0503013441	OE PACKING 150		02
11	0503012825	RING (TEFLON) CH 61100		01
12	0503010704	2-357 N 3006-9B O'RING		01
13	0501034665	HYDRAULIC CYLINDER REPAIR KIT		01

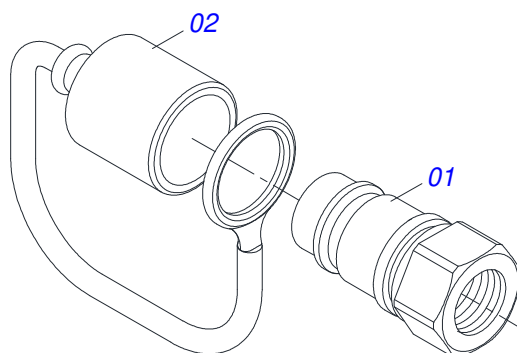


Item	Code	Description	See page	QT
01	0511067335	150 X 710 CYLINDER CASE		01
02	0521069121	TURNBUCKLE		01
03	0581018237	RING SUPPORT 63.50 X 150 X 80		01
04	0503030384	CON PLUG N-001		02
05	0503010287	D-2500 SCRAPER RING		01
06	0541010615	MOVABLE COVER		01
07	0503014960	GASKET		01
08	0503010971	W2-2750-500 PK RING G.I		02
09	0503010002	1800 GREASE FITTING		02
10	0503010704	2-357 N 3006-9B O'RING		01
11	0503019286	BACK-UP RING 8-357		01
12	0581018236	PISTON 150 X 57		01
13	0581018235	10 X 30 NUT		01
14	0503015912	SELEMASTER SEALING		01
15	0503019098	O' RING 2-227 N 3006-90B		01

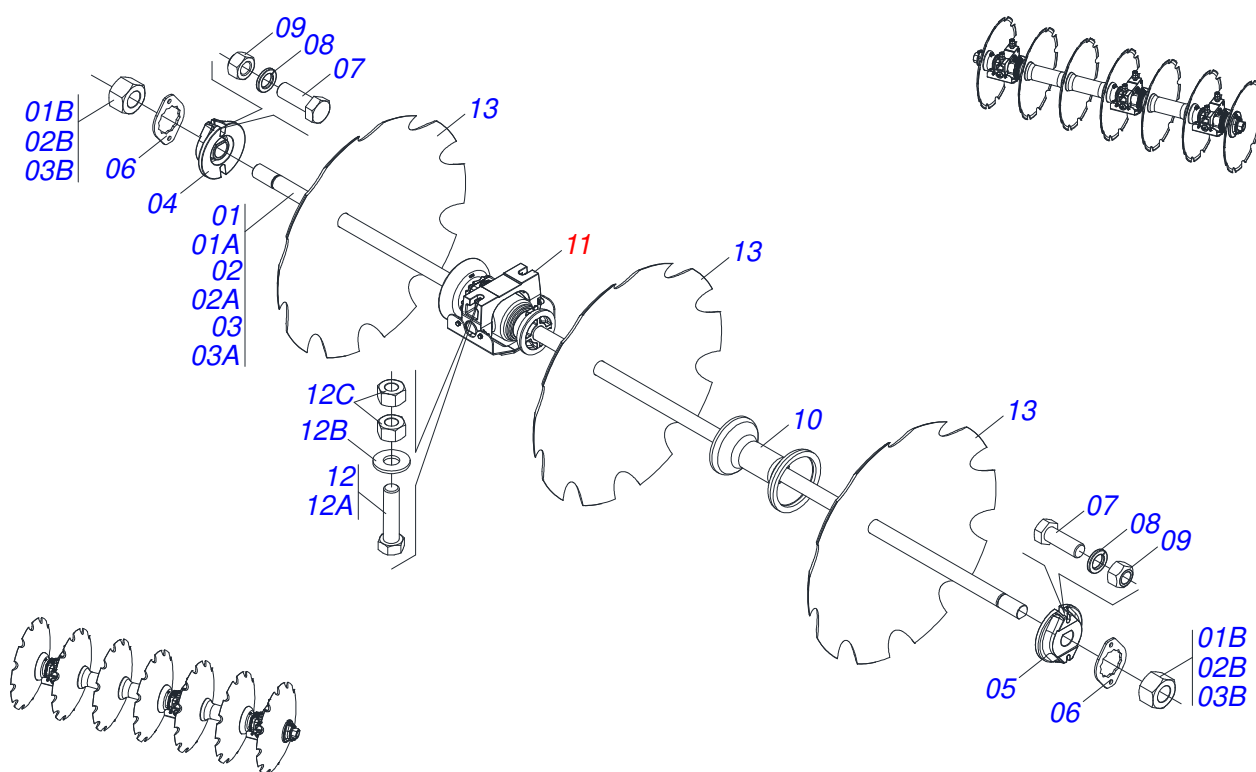


Item	Code	Description	See page	QT
01	0503010919	DISCHARGE VALVE		01
02	0503010190	2-114 N 3006-9B O'RING		04
03	0503030923	3/4" UNF X 13/16UN OFS X 40 NIPPLE		04

MALE QUICK COUPLER

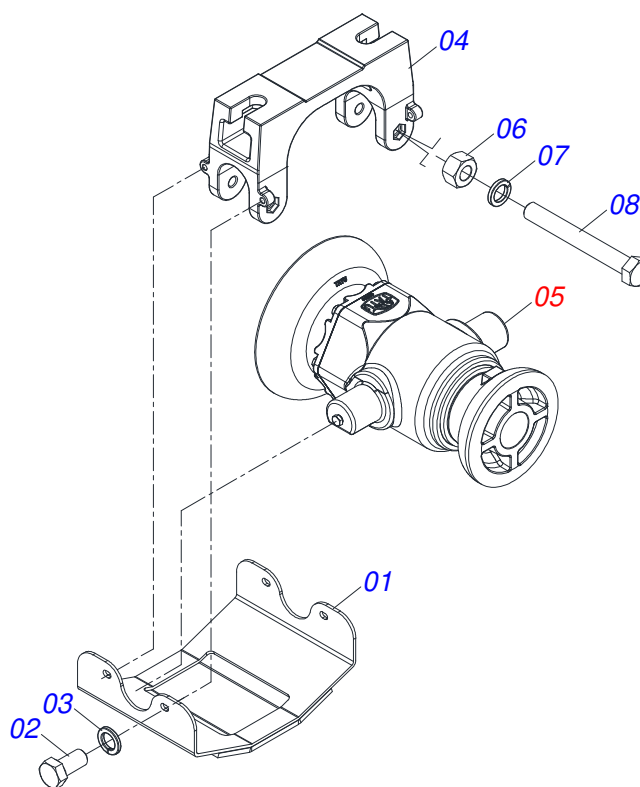


Item	Code	Description	See page	QT
01	0503011627	MALE QUICK COUPLER AGR 1/2 NPT		01
02	0503011882	MALE QUICK COUPLER CAP		01

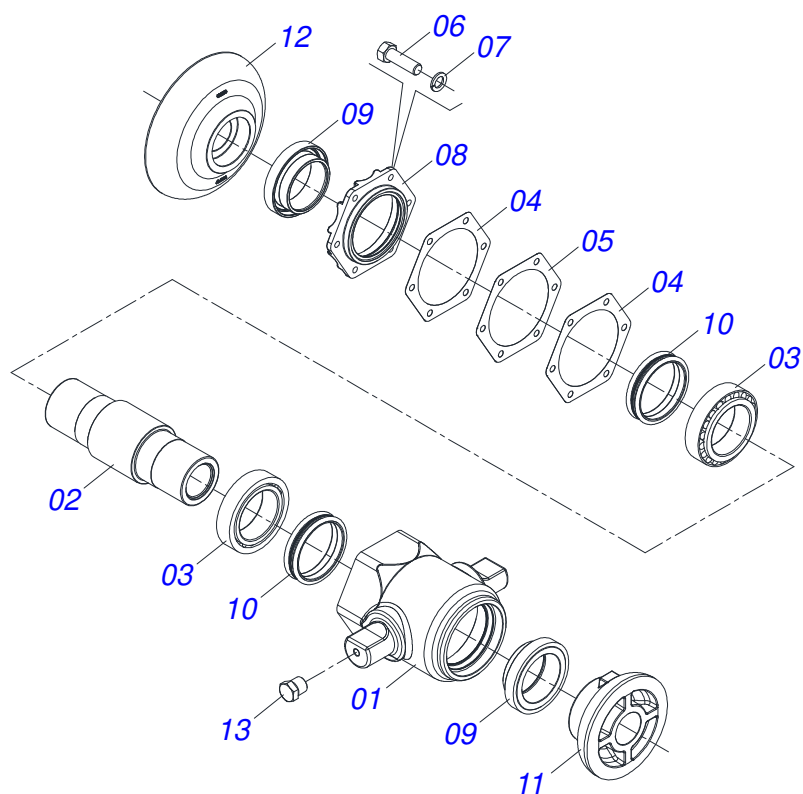


Item	Code	Description	See page	10	12	16	20
01	0511047976	2.3/4 X 1810 AXLE WITH NUTS		00	00	04	00
01A	0501212475	2.3/4 X 1810 AXLE		00	00	04	00
01B	0501212474	2.3/4 X 70 NUT		00	00	08	00
02	0511047977	2.3/4 X 2315 AXLE WITH NUTS		02	00	00	04
02A	0501212476	2.3/4 X 2315 AXLE		02	00	00	04
02B	0501212474	2.3/4 X 70 NUT		04	00	00	08
03	0511047978	2.3/4 X 2815 AXLE WITH NUTS		00	02	00	00
03A	0501212634	2.3/4 X 2815 AXLE		00	02	00	00
03B	0501212474	2.3/4 X 70 NUT		00	04	00	00
04	0502012985	2.3/4 AXLE EXTERNAL LOCK		02	02	04	04
05	0502012986	2.3/4 AXLE INTERNAL LOCK		02	02	04	04
06	0541010368	NUT LOCK		04	04	08	08
07	0503010232	5/8" X 1.3/4" BOLT		08	08	16	16
08	0501012140	FLAT WASHER		08	08	16	16
09	0503012412	5/8 UNC SELF LOCKING NUT		08	08	16	16
10	0591016732	495 X 2.1/2 - 2.3/4 SPACER		04	06	04	08
11	0531041560	504 X 2.3/4 OIL BATH BEARING WITH SUPPORT	13	04	04	08	08
12	0531040741	ASSY 1.1/4 UNC X 5 BOLT		08	08	16	16
12A	0503011347	1.1/4" X 5" BOLT		08	08	16	16
12B	0571010448	32,50 X 75 X 16 SLEEVE		08	08	16	16
12C	0501010087	1.1/4" NUT		16	16	32	32
13	0602048111	36 X 12 MM NOTCHED DISC		10	12	16	20
13.	0602050017	38 X 12 MM NOTCHED DISC		10	12	16	20
13..	0602051019	40 X 12 MM NOTCHED DISC		10	12	16	20
13...	0602052031	42 X 12 MM NOTCHED DISC		10	12	16	20





Item	Code	Description	See page	QT
01	0531062887	PROTECTION CAP		01
02	0503010834	1/2 X 1 BOLT		04
03	0503010019	1/2" SPRING WASHER		04
04	0502013003	2.3/4 BEARING SUPPORT		01
05	0531041559	504 X 2.3/4 OIL BATH BEARING	14	01
06	0503010014	3/4" NUT		02
07	0503011442	3/4" SPRING WASHER		02
08	0503011198	C3/4" X 6" SCREW		02



Item	Code	Description	See page	QT
01	0502013004	2.1/2 - 2.3/4 HOUSING BEARING		01
02	0502040906	2.1/2 - 2.3/4 BEARING AXLE		01
03	0503019996	33022 ROLLER BEARING		02
04	0503035373	170,50 X 0,40 JOINT		02
05	0503035372	170,50 X 0,20 JOINT		01
06	0503010920	1/2" X 1.1/2" BOLT		06
07	0503011440	SPRING WASHER		06
08	0502012982	HOUSING CAP		01
09	0502012984	SEAL RETAINER		02
10	0503035371	RETAINER		02
11	0502012980	BEARING INNER FLANGE		01
12	0502012983	BEARING OUTER FLANGE		01
13	0503010856	OIL PLUG		02
14	3402301275	TATU OIL		1,2 LT





**MARCHESAN**

**Technical Publications | Elaboration and Revision**

LEONARDO JOSÉ DA SILVA SOUZA

[www.marchesan.com.br](http://www.marchesan.com.br)

