

PD - FRONT LOADER

PD LS TRACTOR - S/A

Code: 0501093331
Series: S-1216
Revision: 00
Date Revision: JULHO/2022

PARTS CATALOGUE



MARCHESAN



PRODUCTS

Code	Description
0106150010	PD LS 80/90/100 BT CDC JS BH/BD ESP S-1216
0106150011	PD LS 80/90/100 BT JYO ESP S-1216
0106150009	PD LS 80/90/100 BT SC ESP S-1216

ATTENTION: IMPORTANT

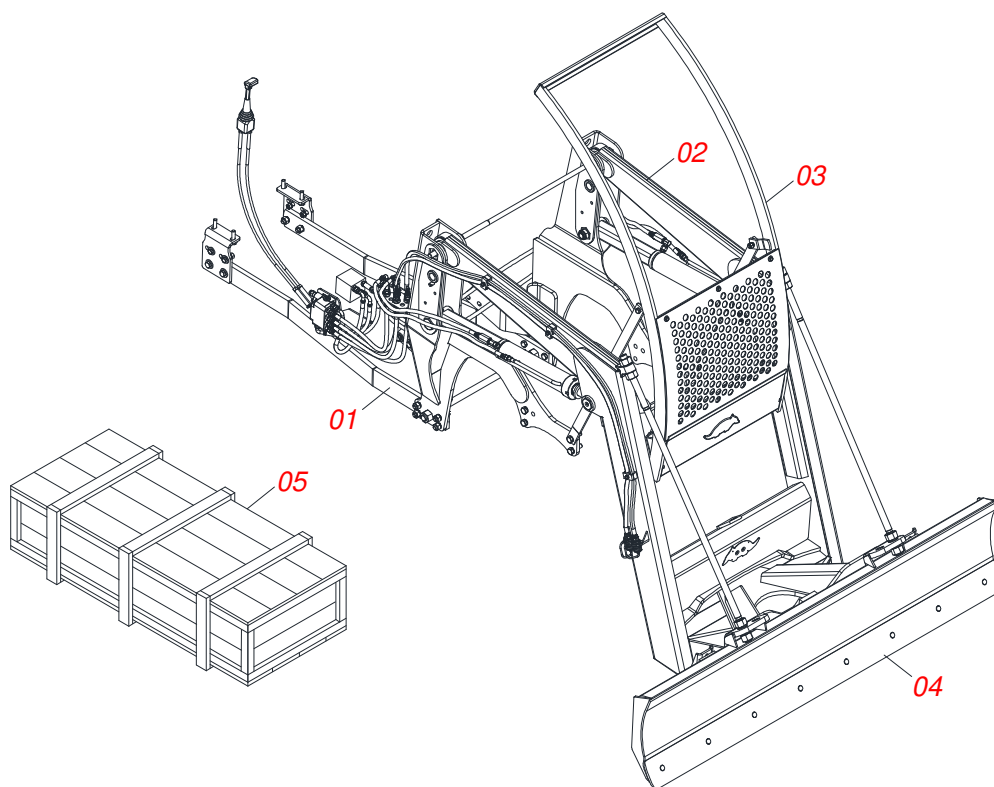
Marchesan S.A. reserves the right to improve and/or modify the technical features of its products, without obligation to do the same with those products already sold and without prior knowledge of the dealer or the consumer. The photos are only illustrative.



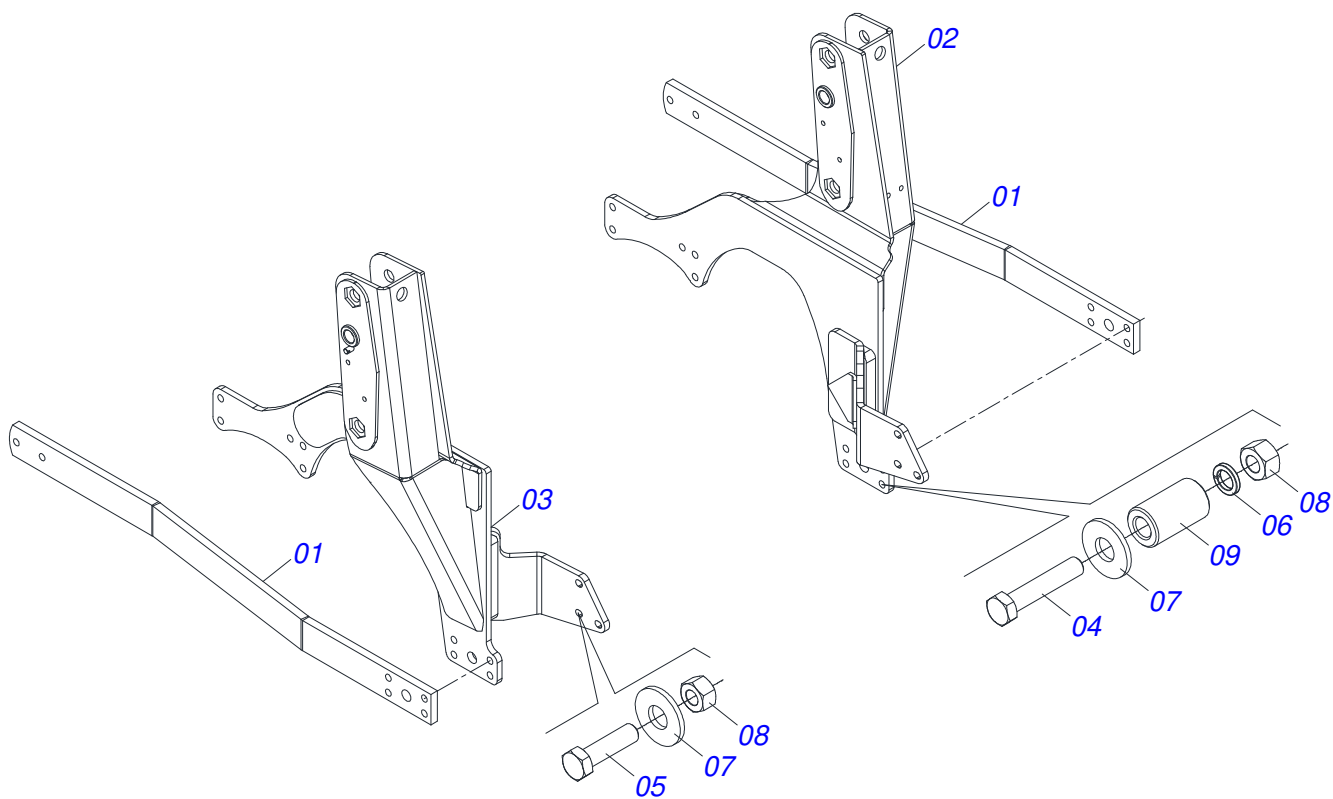
MARCHESAN

INDEX

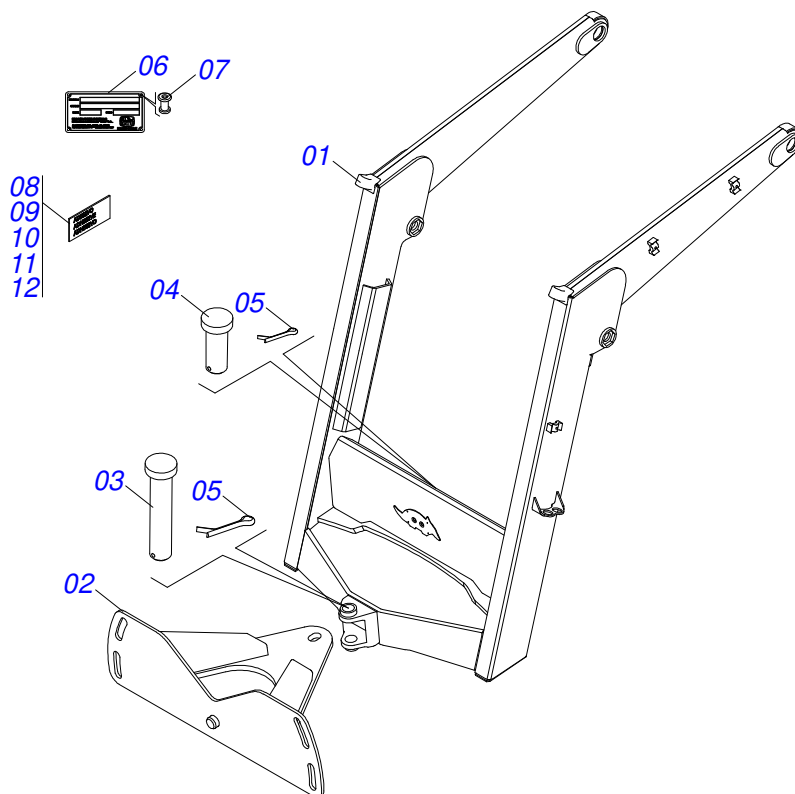
0909096408	ASSY FRAME	1
0521047057	FRAME ASSEMBLY WITH REAR BAR	2
0521046960	ASSY MOVEL SUPPORT	3
0501048330	MOBILE SUPPORT GUIDE ASSY	4
0511047750	2400 SCRAPER ASSY WITH STABILIZER BRACKET	5
0501047708	2400 BLADE SUPPORT	6
0521023024	BOX WITH COMPONENTS	7
0521045393	SET SUPPORT JOY STICK	8
0521047030	COMMAND	9
0501042819	1.1/4"NC X 33.46" ROD ASSY	10
0501041427	1.1/4" NC X 1540 ASSY ROD	11
0909093952	HYDRAULIC CIRCUIT	12
0511032538	PACKED PARTS	13
0511032539	PACKED PARTS	14
0511032553	PACKED PARTS	15
0521023026	BOX WITH COMPONENTS	16
0909093953	HYDRAULIC CIRCUIT	17
0511032540	PACKED PARTS	18
0521023023	BOX WITH COMPONENTS	19
0909093954	HYDRAULIC CIRCUIT	20
0511032537	PACKED PARTS	21



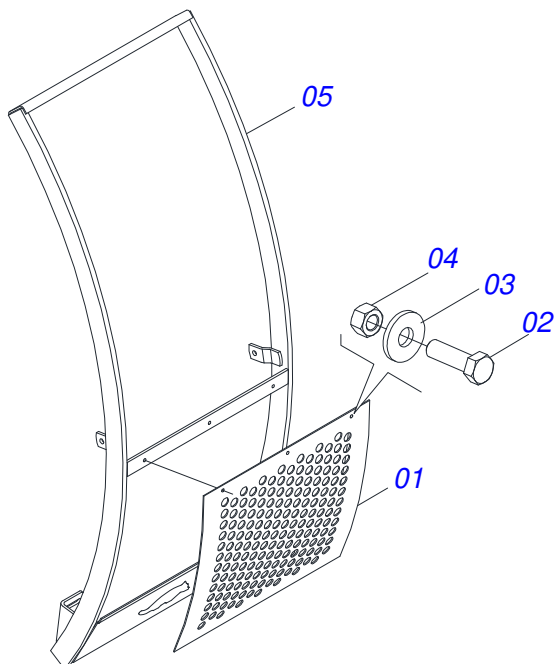
Item	Code	Description	See page	QT
01	0521047057	FRAME ASSEMBLY WITH REAR BAR	2	01
02	0521046960	ASSY MOVEL SUPPORT	3	01
03	0501048330	MOBILE SUPPORT GUIDE ASSY	4	01
04	0511047750	2400 SCRAPER ASSY WITH STABILIZER BRACKET	5	01
05	0521023024	BOX WITH COMPONENTS	7	01
05.	0521023026	BOX WITH COMPONENTS	16	01
05..	0521023023	BOX WITH COMPONENTS	19	01



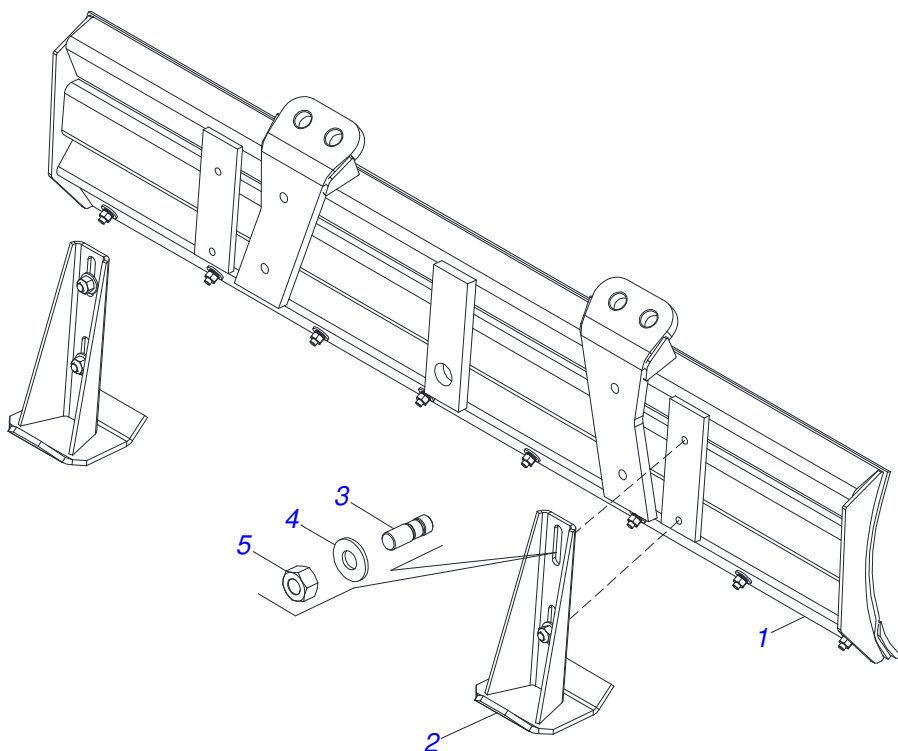
Item	Code	Description	See page	QT
01	0571019990	FRAME BACK MOUNTING BAR		02
02	0521067565	RIGHT FRAME		01
03	0521067566	LEFT FRAME		01
04	0503011084	3/4" X 5" BOLT		04
05	0501010500	3/4"X3"BOLT		02
06	0503010023	3/4" SPRING WASHER		04
07	0501010322	FLAT WASHER		06
08	0503010014	3/4" NUT		06
09	0581015170	SLEEVE		04



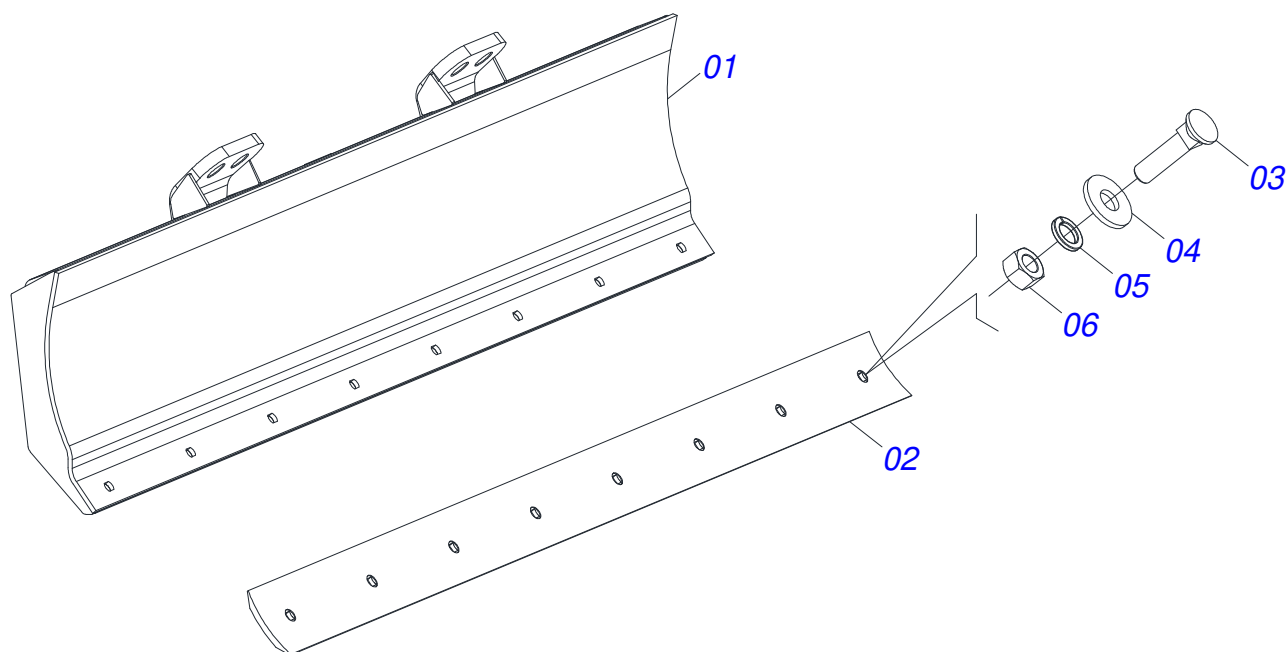
Item	Code	Description	See page	QT
01	0521067528	MOBILE SUPPORT		01
02	0501063368	REGULATOR SUPPORT		01
03	0521010618	1.4" X 8.6" COUPLING SHAFT		01
04	0521010612	1.4" X 3.5" COUPLING SHAFT		01
05	0503010010	1/4" X 2.1/2" COTTERPIN		02
06	0503034003	SERIAL NUMBER TAG 61 X 118		01
07	0503010001	3.2 X 5.5 RIVET		04
08	0503031428	READ MANUAL DECAL		01
09	0503031827	LUBRICATE AND RETIGHTEN DAILY DECAL		01
10	0503062270	SET LABEL ADHESIVE		01
11	0503034078	LIFTING POINTS DECAL		03
12	0503031087	ADHESIVE LABEL		01



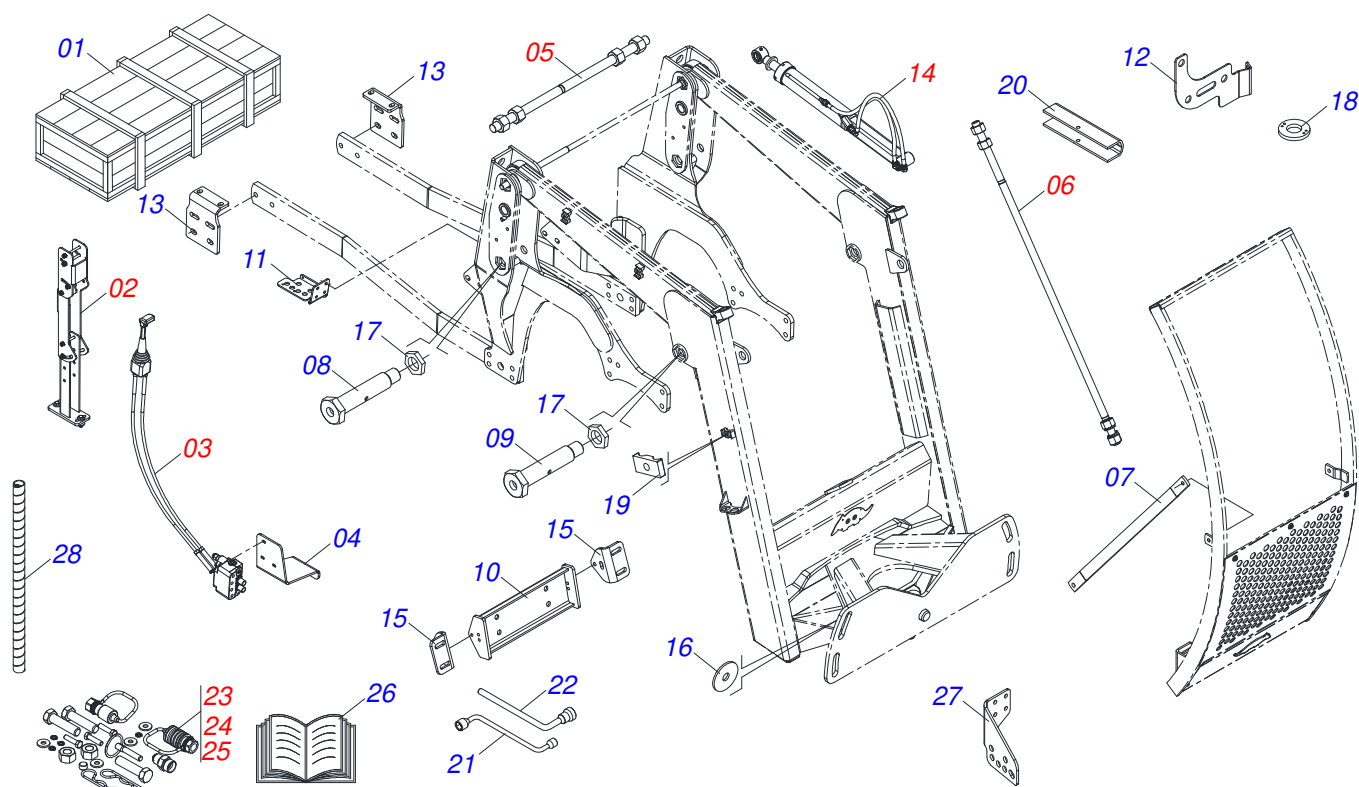
Item	Code	Description	See page	QT
01	0501014686	FRONT PROTECTION		01
02	0503010751	C3/8" X 1.1/4" HEX BOLT G.5		03
03	0501010984	FLAT WASHER 10,50 X 27 X 3,00 ZN		03
04	0503010026	3/8" NUT		03
05	0511061998	MOBILE SUPPORT GUIDE		01



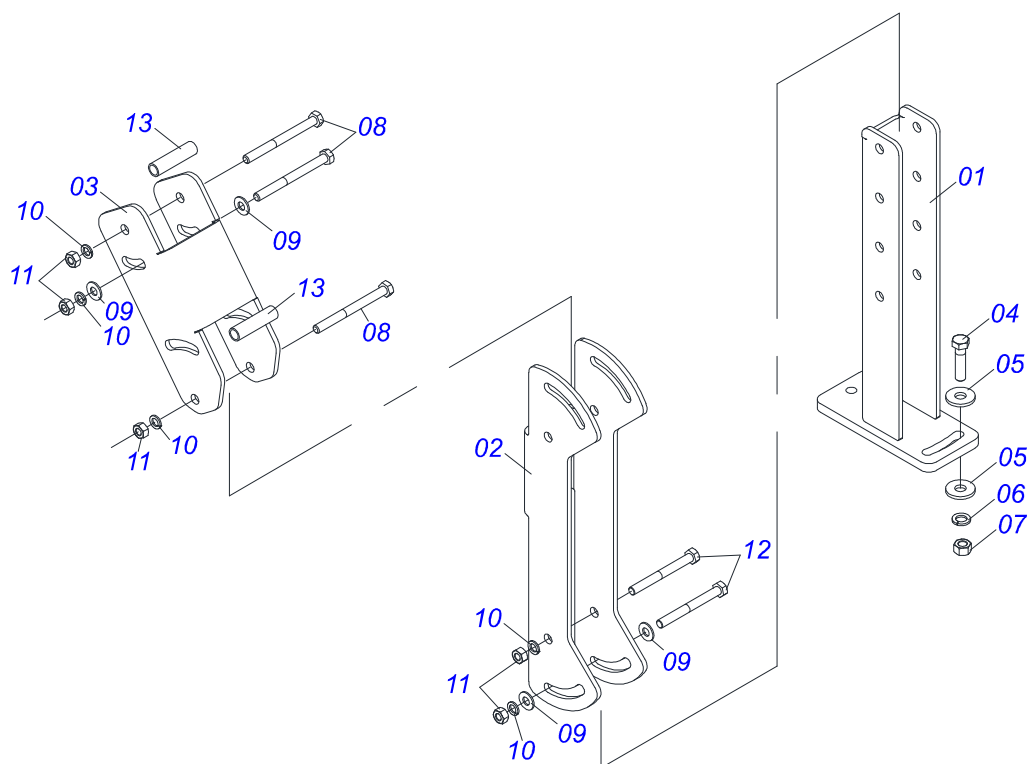
Item	Code	Description	See page	QT
01	0501047708	2400 BLADE SUPPORT	6	01
02	0501063411	ESTABILIZER BRACKET		02
03	0561016756	3/4 UNC X 3/4 UNC X 56 PRISONER		04
04	0501010322	FLAT WASHER		04
05	0503010014	3/4" NUT		04



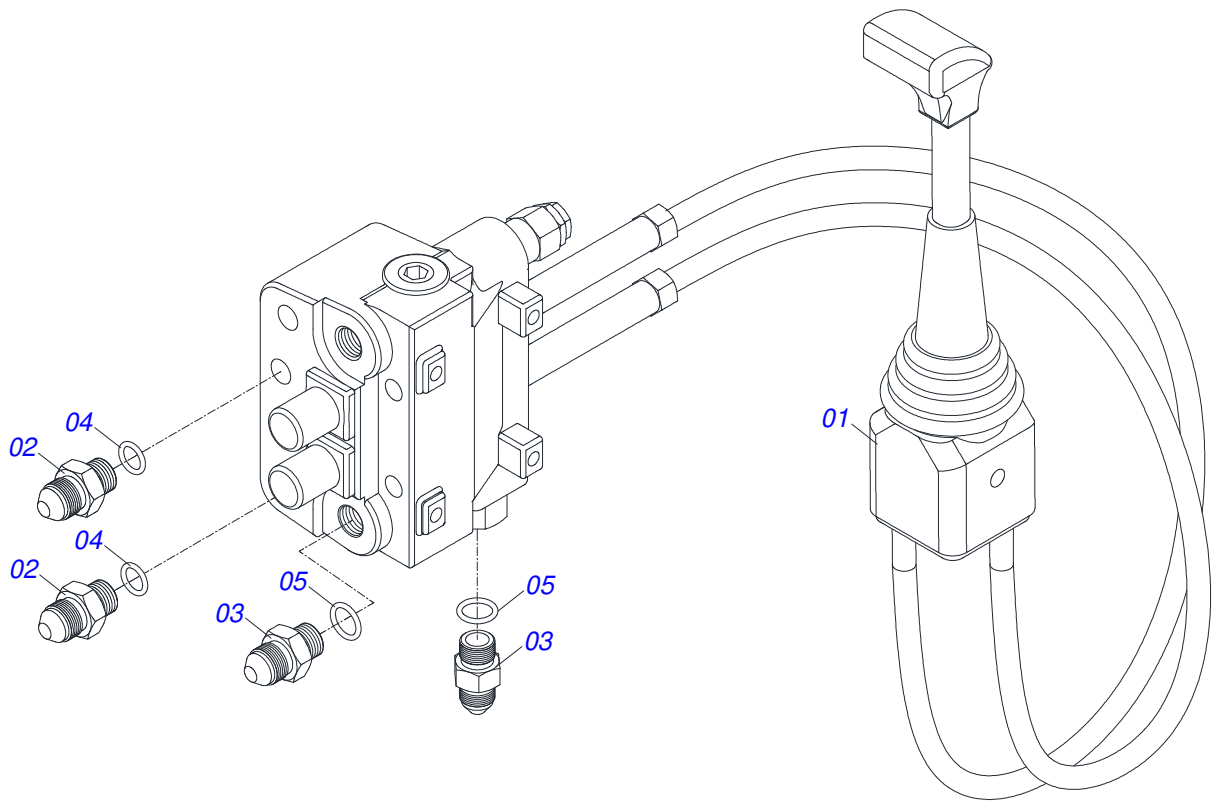
Item	Code	Description	See page	QT
01	0501067999	2390 BLADE SUPPORT		01
02	0622360016	94.5" SCRAPER REVERSIBLE		01
03	0501012240	BOLT		08
04	0501012140	FLAT WASHER		08
05	0503011445	SPRING WASHER		08
06	0503010013	5/8" NUT		08



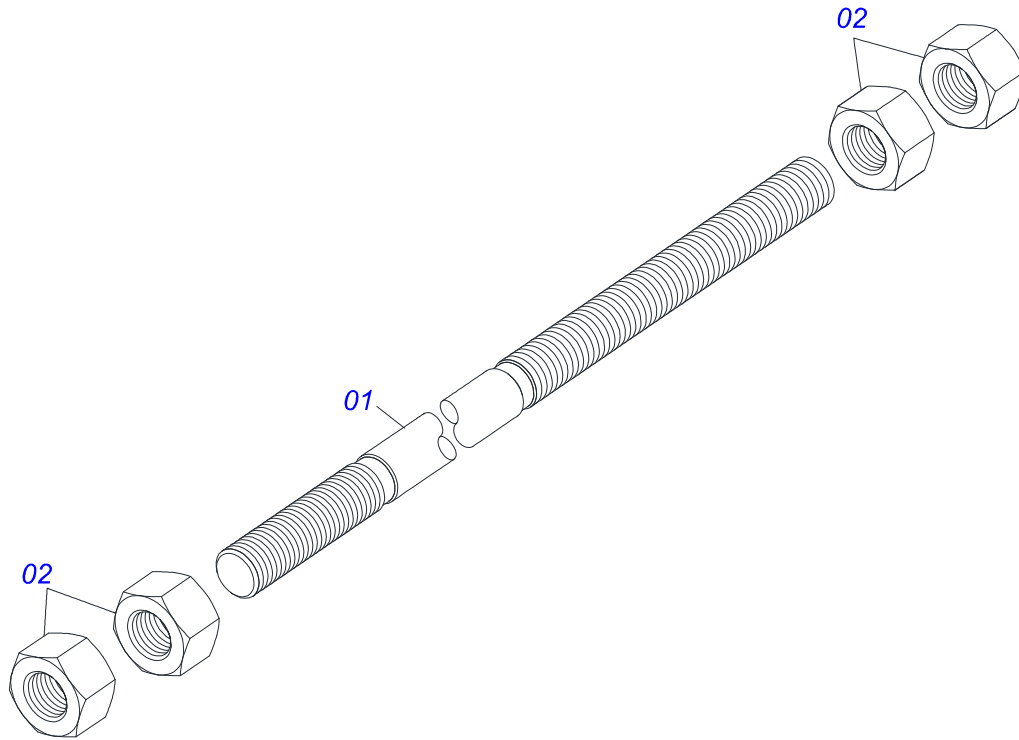
Item	Code	Description	See page	QT
01	0501100416	WOODEN BOX		01
02	0521045393	SET SUPPORT JOY STICK	8	01
03	0521047030	COMMAND	9	01
04	0571019991	COMMAND SUPPORT		01
05	0501042819	1.1/4"NC X 33.46" ROD ASSY	10	01
06	0501041427	1.1/4" NC X 1540 ASSY ROD	11	02
07	0581010008	HIGH GRADE RAIL1100 - PD LS PLUS 90		02
08	0581013410	1.1/4" UNF X 155 BOLT		04
09	0581013378	GREASE SCREW		02
10	0521067568	SIEVE FIXER GUIDE		01
11	0521067567	MIX CONNECTOR FIXING BASE		01
12	0581013645	EXHAUST FIXING SUPPORT		01
13	0581010007	BACK SHOE		02
14	0909093952	HYDRAULIC CIRCUIT	12	01
15	0571014003	FASTENING BRACKET OF THE HIGH GUIDE		02
16	0501010574	FLAT WASHER		04
17	0581010243	WASHER HEX		06
18	0581013647	EXHAUST FLANGE		01
19	0502010477	HOSE CLAMP		03
20	0551010280	253 TRANSPORT LOCK		02
21	0501068213	5/8" WRENCH DOUBLE		01
22	0501061617	1" GANG BOLT WRENCH		01
23	0511032538	PACKED PARTS	13	01
24	0511032539	PACKED PARTS	14	01
25	0511032553	PACKED PARTS	15	01
26	0511033668	BAG WITH INSTRUCTION MANUAL		01
27	0591011758	SUPPORT FIXING PLATE		01
28	0581010090	SPRING PROTECTION PLASTIC HOSE		02



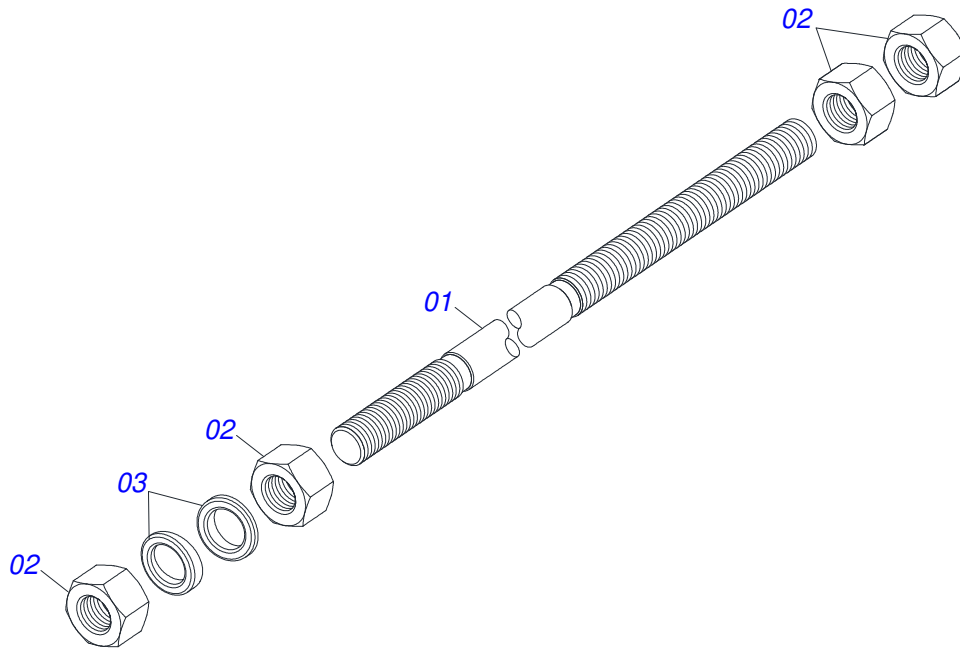
Item	Code	Description	See page	QT
01	0521065789	LOWER JOYSTICK SUPPORT		01
02	0571018376	CENTRAL BODY SUPPLEMENT OF JOYSTICK		01
03	0571018375	SUPERIOR BODY SUPPLEMENT OF JOYSTICK		01
04	0503010849	3/8" X 1-1/2" BOLT		02
05	0501010984	FLAT WASHER 10,50 X 27 X 3,00 ZN		02
06	0503010025	3/8" SPRING WASHER		02
07	0503010026	3/8" NUT		02
08	0503010848	5/16" X 3.1/2" BOLT		04
09	0501010694	FLAT WASHER		06
10	0503010179	LOCK WASHER		06
11	0503010337	5/16" NUT		06
12	0503011053	5/16" X 3" C S 6.5 ZN BOLT		02
13	0541015551	0.39" X 0.512" X 1.9" SLEEVE		02



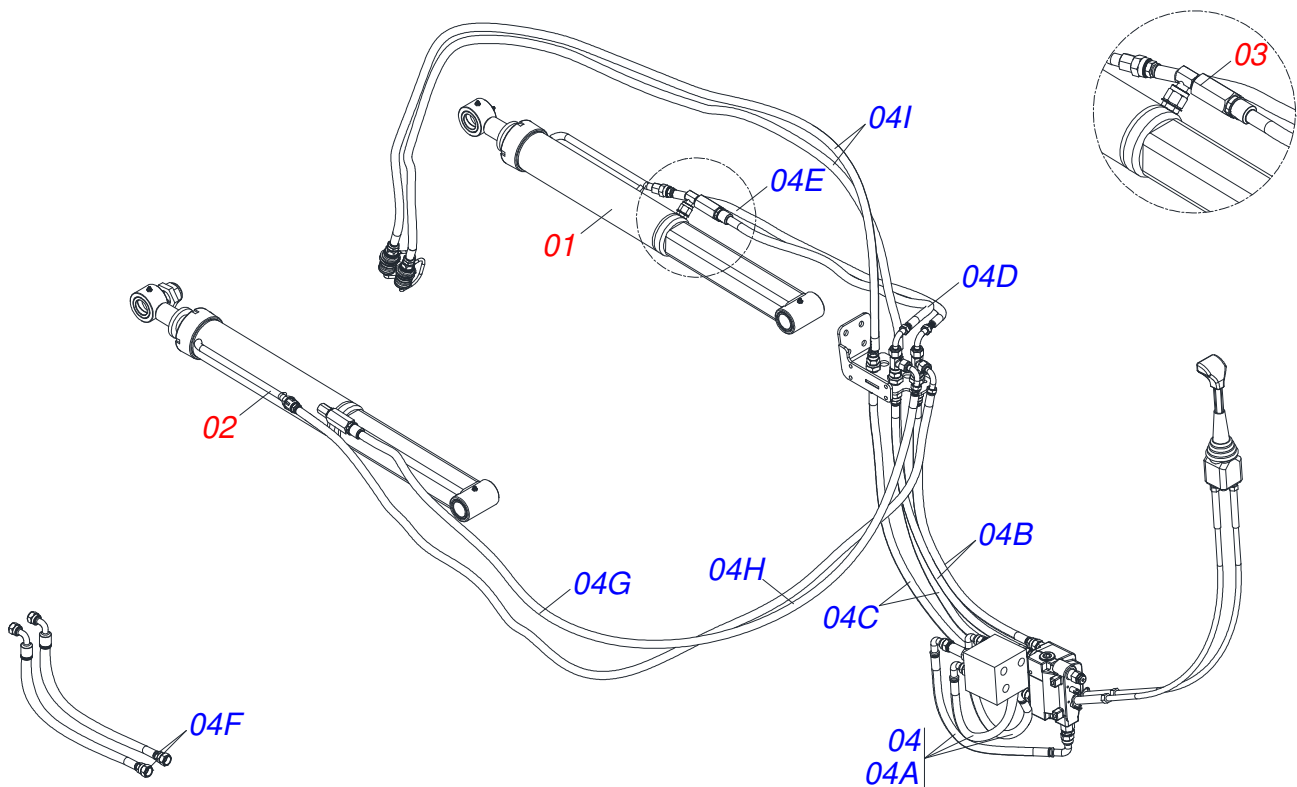
Item	Code	Description	See page	QT
01	0503062376	SDM102/2 MONOBLOC COMMAND WITH CABLE (WALVOIL 405910)		01
02	0581013379	R. 7/8 X 9/16 X 50 (SEXT 22,23) NIPLE		04
03	0501011460	7/8 NF REDUCTION NIPPLE		03
04	0503011108	2-112 O'RING		04
05	0503010190	2-114 N 3006-9B O'RING		03



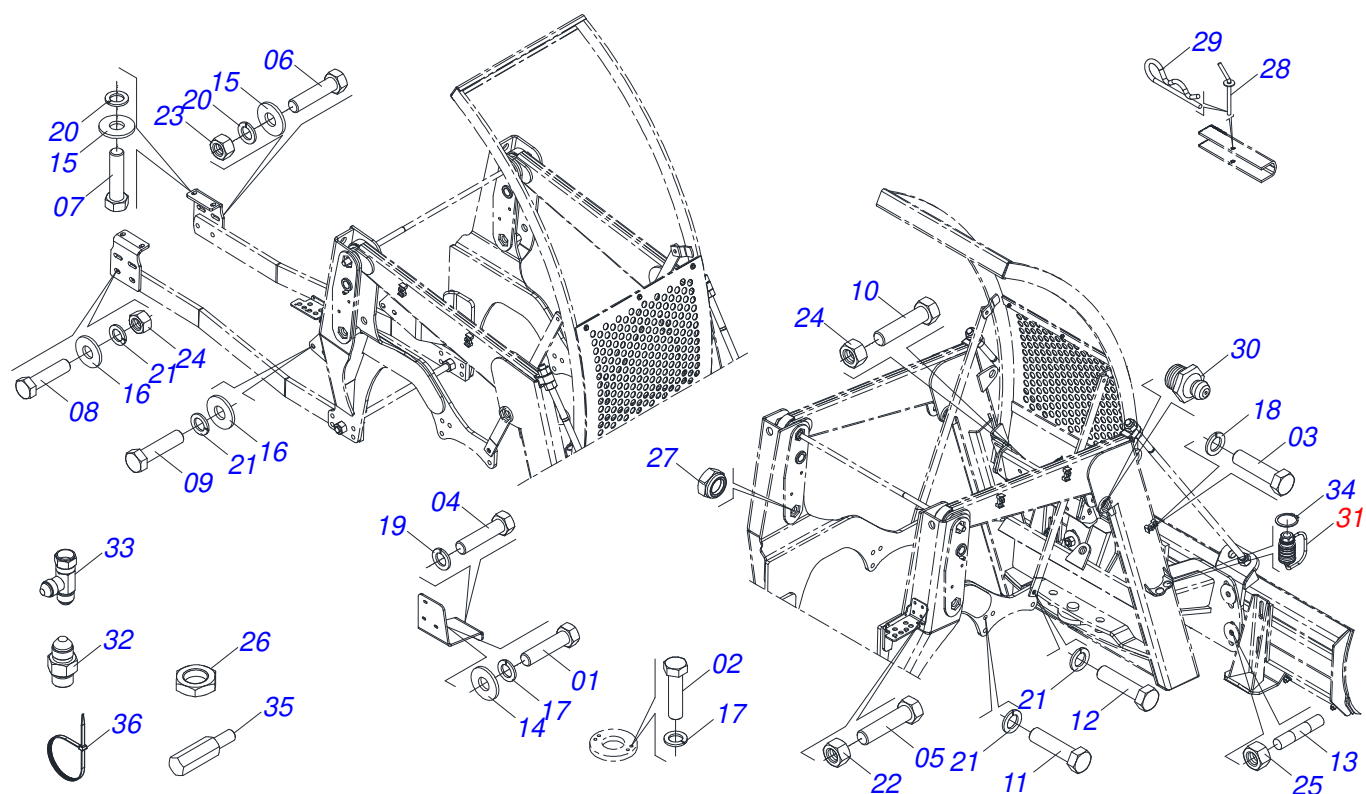
Item	Code	Description	See page	QT
01	0501018845	1.1/4" X 33.46" ROD		01
02	0501010087	1.1/4" NUT		04



Item	Code	Description	See page	QT
01	0501014250	1.1/4" X 1540 ROD		01
02	0501010087	1.1/4" NUT		04
03	0502012180	CONICAL SPRING WASHER		02



Item	Code	Description	See page	QT
01	0521050157	44,45 X 85,72 X 1049 X 360 - RIGHT HYDRAULIC CYLINDER		05
02	0521050158	44,45 X 85,72 X 1049 X 360 - LEFT HYDRAULIC CYLINDER		01
03	0511057771	R.7/8UNF - SAFETY VALVE		02
04	0521050519	HOSE KIT		01
04A	0501081401	1/2 X 500 HOSE		03
04B	0501080002	1/2 X 600 HOSE		02
04C	0501080024	1/2" X 700 TR-TR HOSE		02
04D	0501080218	1/2 X 750 HOSE		01
04E	0501080013	1/2 X 850 TR-TC HOSE		01
04F	0501081638	1/2 X 1050 TC-TR HOSE		02
04G	0501080225	1/2" X 2150 TR-TR HOSE		01
04H	0501082149	HOSE 1/2 X 2250 TR-TC		01
04I	0501080308	1/2 X 2750 TR-TM HOSE		02



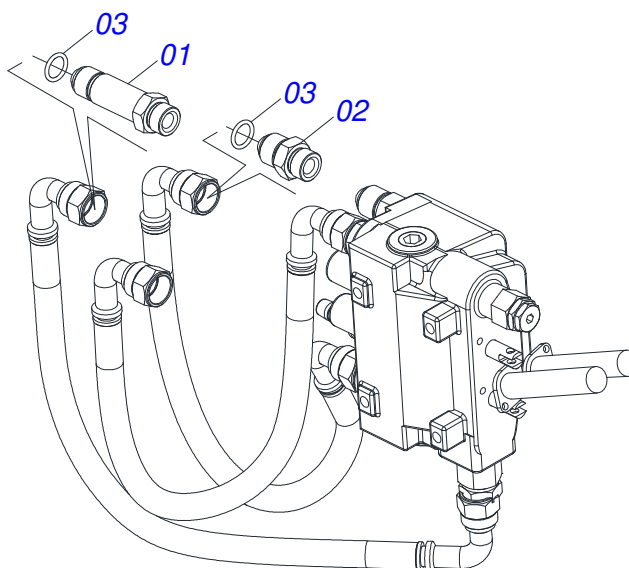
Item	Code	Description	See page	QT
01	0503010371	5/16" X 1" BOLT		03
02	0503011295	M 8 X 1,25 X 25 BOLT		04
03	0503011135	BOLT		03
04	0503014691	M12 X 1,75 X 25 BOLT		02
05	0501010063	1/2" X 1-1/2" BOLT		02
06	0501010100	SCREW 5/8 UNC X 2 CS G.5 ZN		14
07	0503016826	M16 X 1,5 X 65 BOLT		04
08	0501010500	3/4"X3"BOLT		12
09	0503011258	M18 X 1,5 X 65 BOLT		06
10	0503013629	M20 X 2,5 X 40 C S 8.8 ZN SCREW		04
11	0503011322	M20 X 2,5 X 50 BOLT		06
12	0503013111	M20 X 2,5 X 65 BOLT		02
13	0501010572	1" X 1" X 2.9" STUD		04
14	0521011039	FLAT WASHER		03
15	0501012140	FLAT WASHER		18
16	0501010322	FLAT WASHER		10
17	0503010179	LOCK WASHER		07
18	0503010180	7/16" SPRING WASHER		03
19	0503015076	M12 SPRING WASHER		02
20	0503010027	5/8" SPRING WASHER		18
21	0503010023	3/4" SPRING WASHER		30
22	0503011336	1/2" HEX SELF ADJUSTING NUT		02
23	0503010013	5/8" NUT		10
24	0503010014	3/4" NUT		12
25	0501010059	1.5/8 NUT		04
26	0551015159	NUT HEX X 38.1 R7 / 8 UNF		04
27	0503010044	1-1/4" SELF LOCKING NUT		06
28	0501068994	8,30 X 78 LOCK PIN		02
29	0503030168	HITCH PIN CLIP		02
30	0503010002	1800 GREASE FITTING		06
31	0501053835	FEMALE QUICK COUPLER		02



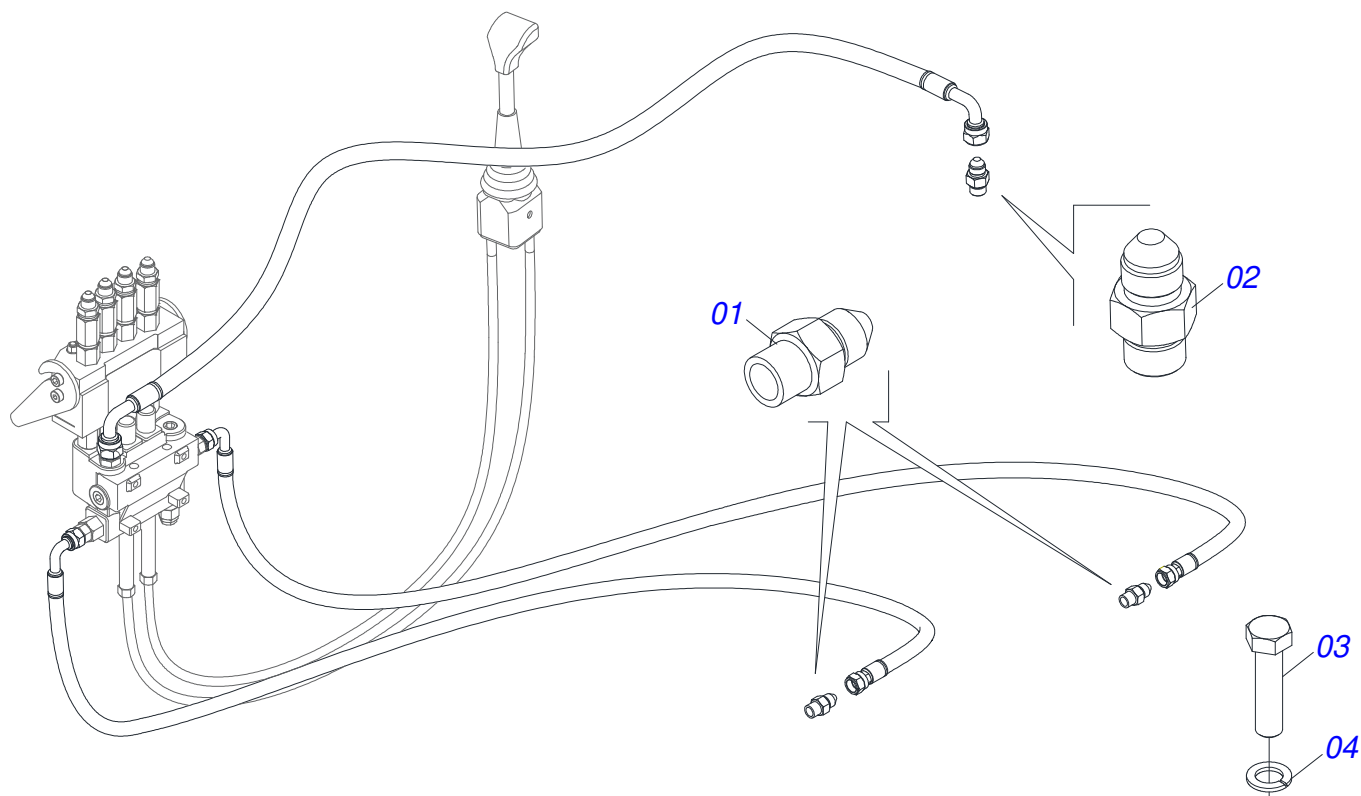
PACKED PARTS

0511032538

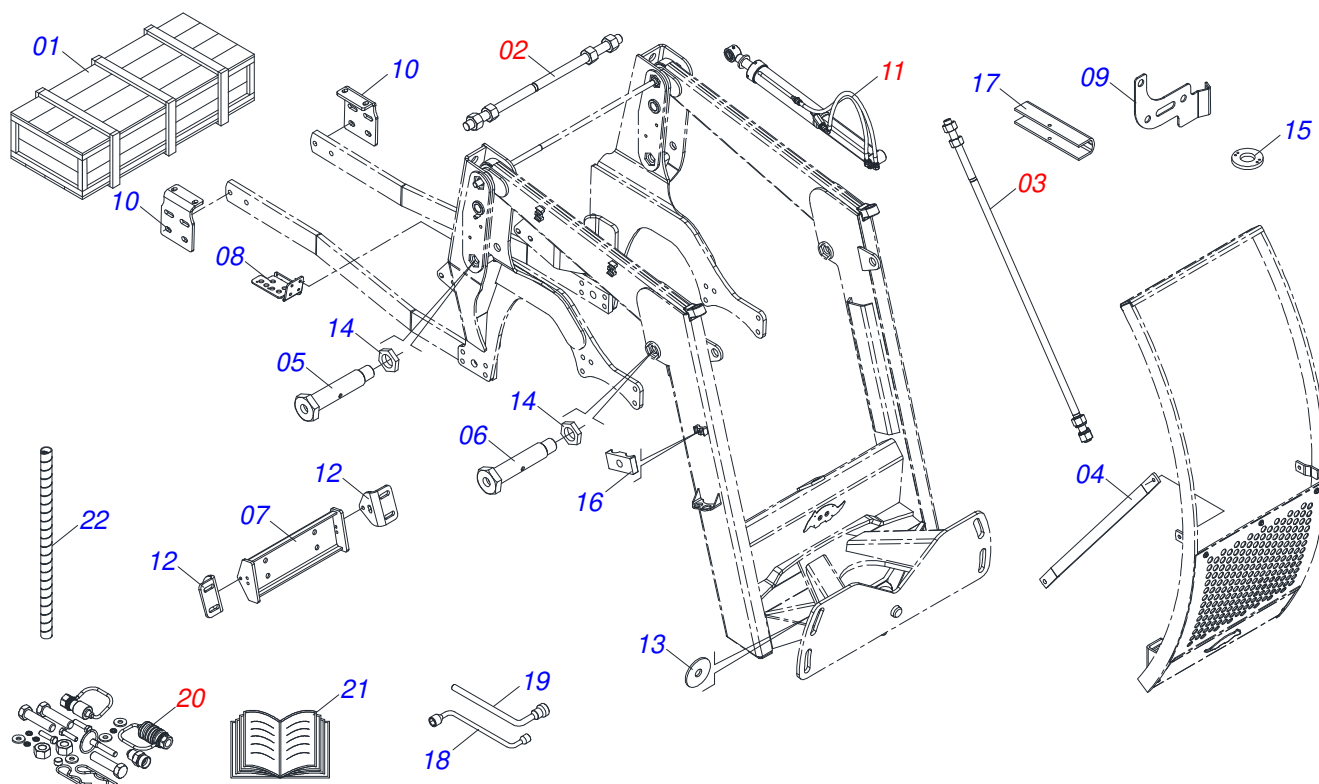
Item	Code	Description	See page	QT
32	0551015623	7/8 NIPPLE		04
33	0503062177	7/8 (V.C) T-ADAPTER WITH NUT		02
34	0503010217	501040 CLAMPING RING (FOR AXLE)		04
35	0581013650	TURNING RADIUS LIMITER (80)		02
36	0503013527	CLAMP ZIPER		10



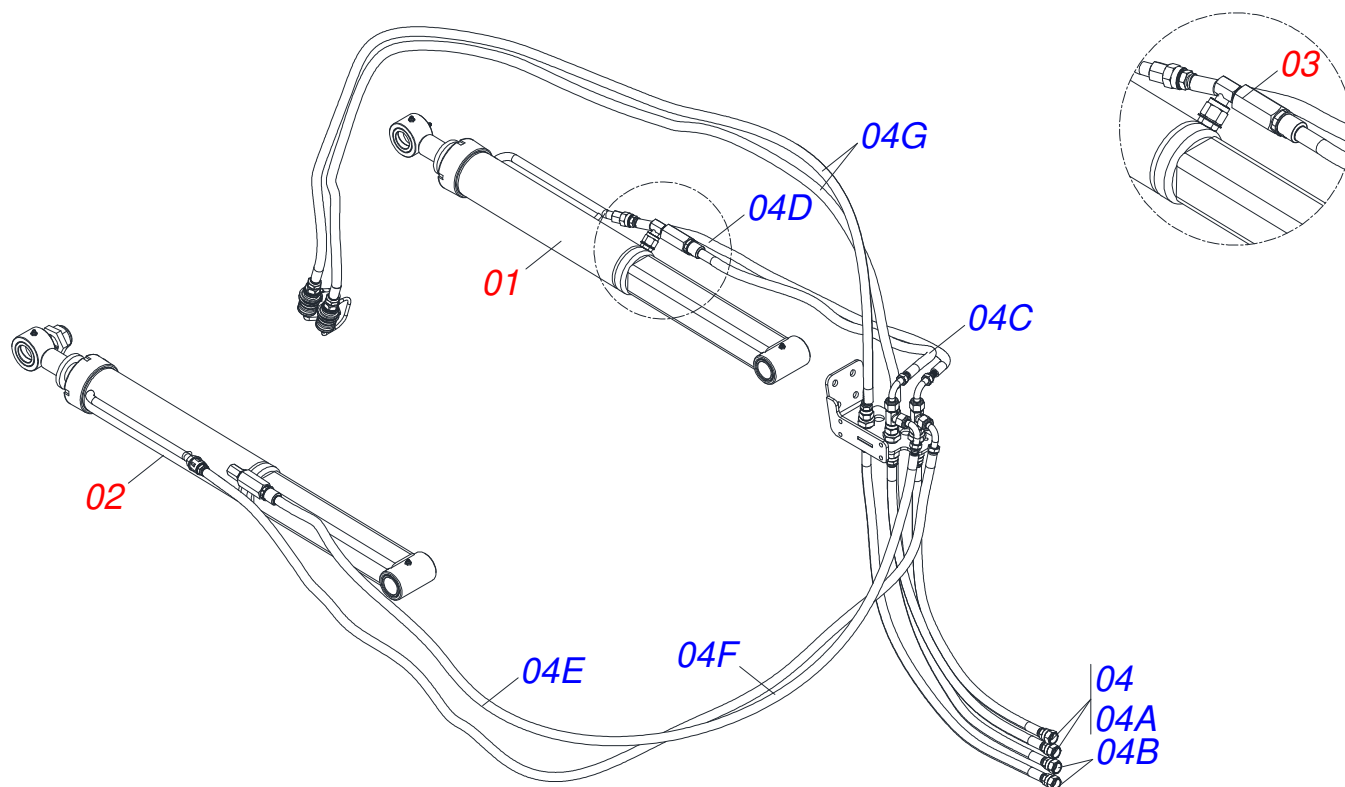
Item	Code	Description	See page	QT
01	0571019993	NIPLE R.7/8"UNF X R.M21 X 1,75 X 90		01
02	0571019992	NIPLE R.7/8"UNF X R.M21 X 1,75 X 46		02
03	0503010190	2-114 N 3006-9B O'RING		03



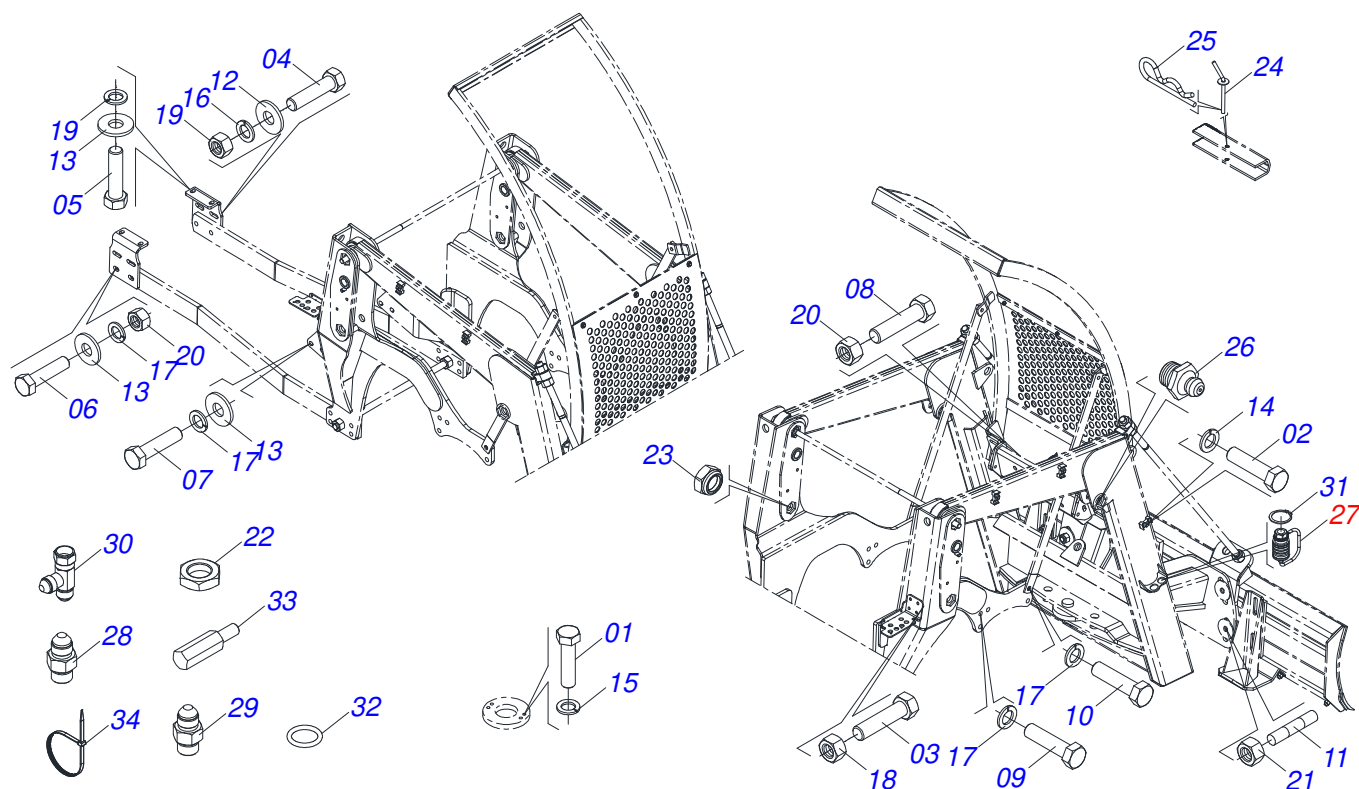
Item	Code	Description	See page	QT
01	0581013249	NIPLE R.3/4"UNF X M24(SEXT. 1.1/8")		02
02	0581013247	NIPLE 7/8" UNF X 13/16" UNC X 51		01
03	0503011322	M20 X 2,5 X 50 BOLT		02
04	0503010023	3/4" SPRING WASHER		02



Item	Code	Description	See page	QT
01	0501100416	WOODEN BOX		01
02	0501042819	1.1/4"NC X 33.46" ROD ASSY	10	01
03	0501041427	1.1/4" NC X 1540 ASSY ROD	11	02
04	0581010008	HIGH GRADE RAIL1100 - PD LS PLUS 90		02
05	0581013410	1.1/4" UNF X 155 BOLT		04
06	0581013378	GREASE SCREW		02
07	0521067568	SIEVE FIXER GUIDE		01
08	0521067567	MIX CONNECTOR FIXING BASE		01
09	0581013645	EXHAUST FIXING SUPPORT		01
10	0581010007	BACK SHOE		02
11	0909093953	HYDRAULIC CIRCUIT	17	01
12	0571014003	FASTENING BRACKET OF THE HIGH GUIDE		02
13	0501010574	FLAT WASHER		04
14	0581010243	WASHER HEX		06
15	0581013647	EXHAUST FLANGE		01
16	1902010477	UPPER CLAMP BODY		03
17	0551010280	253 TRANSPORT LOCK		02
18	0501068213	5/8" WRENCH DOUBLE		01
19	0501061617	1" GANG BOLT WRENCH		01
20	0511032540	PACKED PARTS	18	01
21	0511033668	BAG WITH INSTRUCTION MANUAL		01
22	0581010090	SPRING PROTECTION PLASTIC HOSE		02



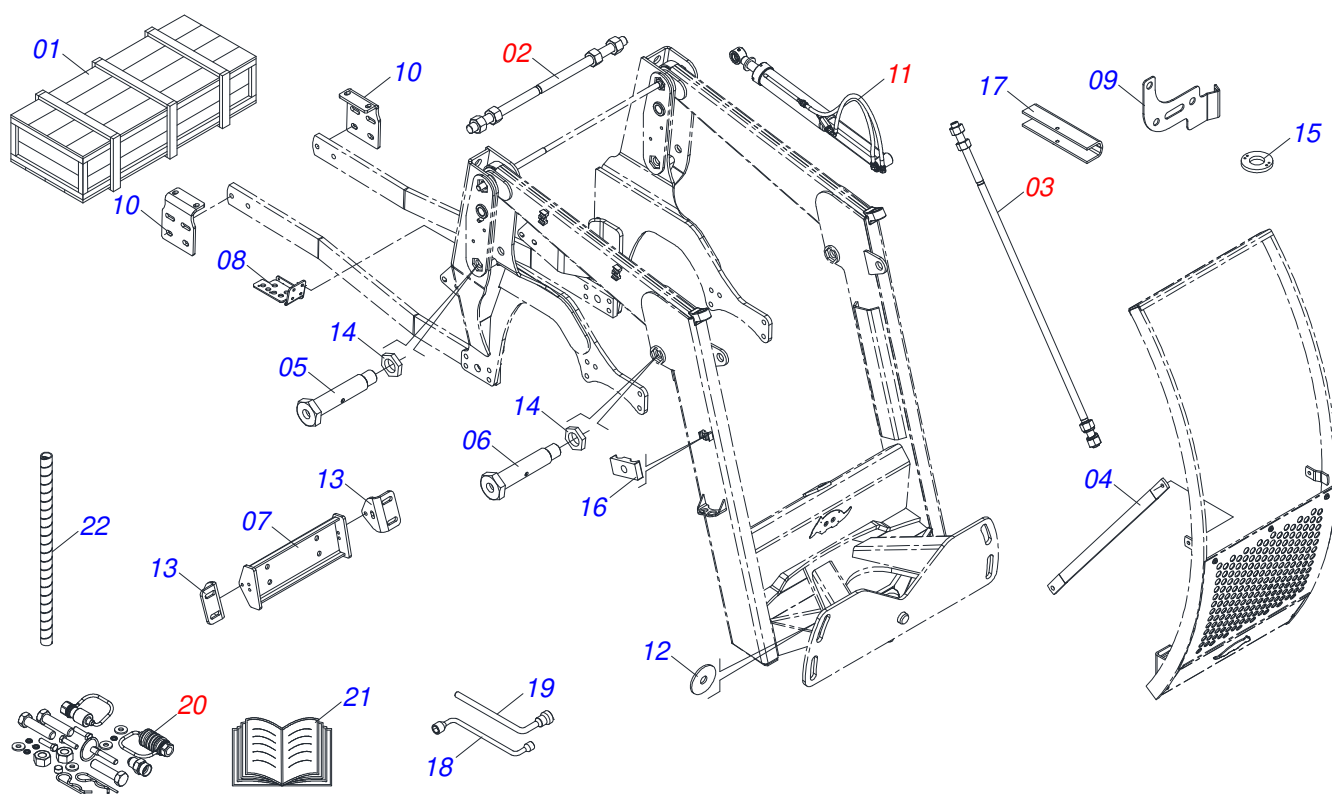
Item	Code	Description	See page	QT
01	0521050157	44,45 X 85,72 X 1049 X 360 - RIGHT HYDRAULIC CYLINDER		01
02	0521050158	44,45 X 85,72 X 1049 X 360 - LEFT HYDRAULIC CYLINDER		01
03	0511057771	R.7/8UNF - SAFETY VALVE		02
04	0521050520			01
04A	0501080002	1/2 X 600 HOSE		02
04B	0501080024	1/2" X 700 TR-TR HOSE		02
04C	0501080218	1/2 X 750 HOSE		01
04D	0501080013	1/2 X 850 TR-TC HOSE		01
04E	0501080225	1/2" X 2150 TR-TR HOSE		01
04F	0501082149	HOSE 1/2 X 2250 TR-TC		01
04G	0501080308	1/2 X 2750 TR-TM HOSE		02



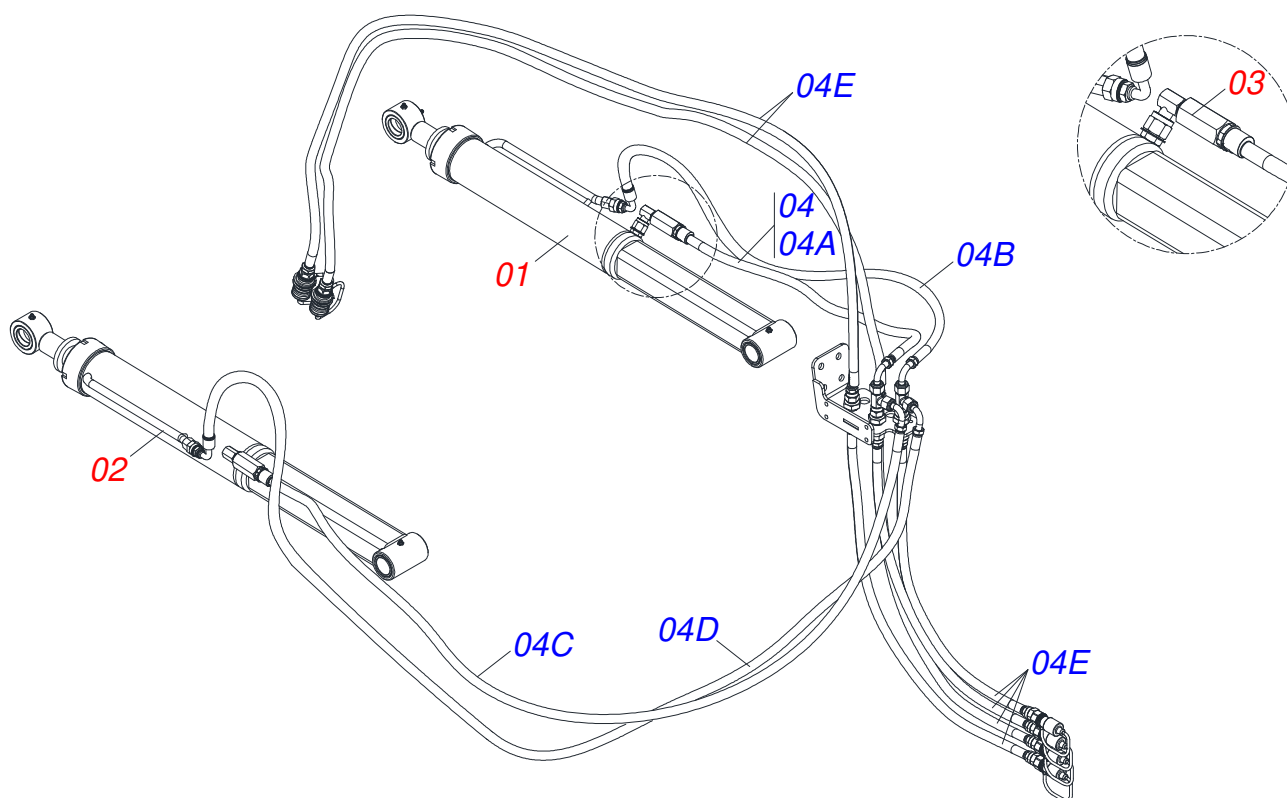
Item	Code	Description	See page	QT
01	0503011295	M 8 X 1,25 X 25 BOLT		04
02	0503011135	BOLT		03
03	0501010063	1/2" X 1-1/2" BOLT		02
04	0501010100	SCREW 5/8 UNC X 2 CS G.5 ZN		14
05	0503016826	M16 X 1,5 X 65 BOLT		04
06	0501010500	3/4"X3"BOLT		12
07	0503011258	M18 X 1,5 X 65 BOLT		06
08	0503013629	M20 X 2,5 X 40 C S 8.8 ZN SCREW		04
09	0503011322	M20 X 2,5 X 50 BOLT		06
10	0503013111	M20 X 2,5 X 65 BOLT		02
11	0501010572	1" X 1" X 2.9" STUD		04
12	0501012140	FLAT WASHER		18
13	0501010322	FLAT WASHER		10
14	0503010180	7/16" SPRING WASHER		03
15	0503010179	LOCK WASHER		04
16	0503010027	5/8" SPRING WASHER		18
17	0503010023	3/4" SPRING WASHER		30
18	0503011336	1/2" HEX SELF ADJUSTING NUT		02
19	0503010013	5/8" NUT		10
20	0503010014	3/4" NUT		12
21	0501010059	1.5/8 NUT		04
22	0551015159	NUT HEX X 38.1 R7 / 8 UNF		04
23	0503010044	1-1/4" SELF LOCKING NUT		06
24	0501068994	8,30 X 78 LOCK PIN		02
25	0503030168	HITCH PIN CLIP		02
26	0503010002	1800 GREASE FITTING		06
27	0501053835	FEMALE QUICK COUPLER		02
28	0551015623	7/8 NIPPLE		04
29	0581013182	STRAIGHT ADAPTER - R.7/8"UNF X 3/8"BSP X 50		04
30	0503062177	7/8 (V.C) T-ADAPTER WITH NUT		02
31	0503010217	501040 CLAMPING RING (FOR AXLE)		04



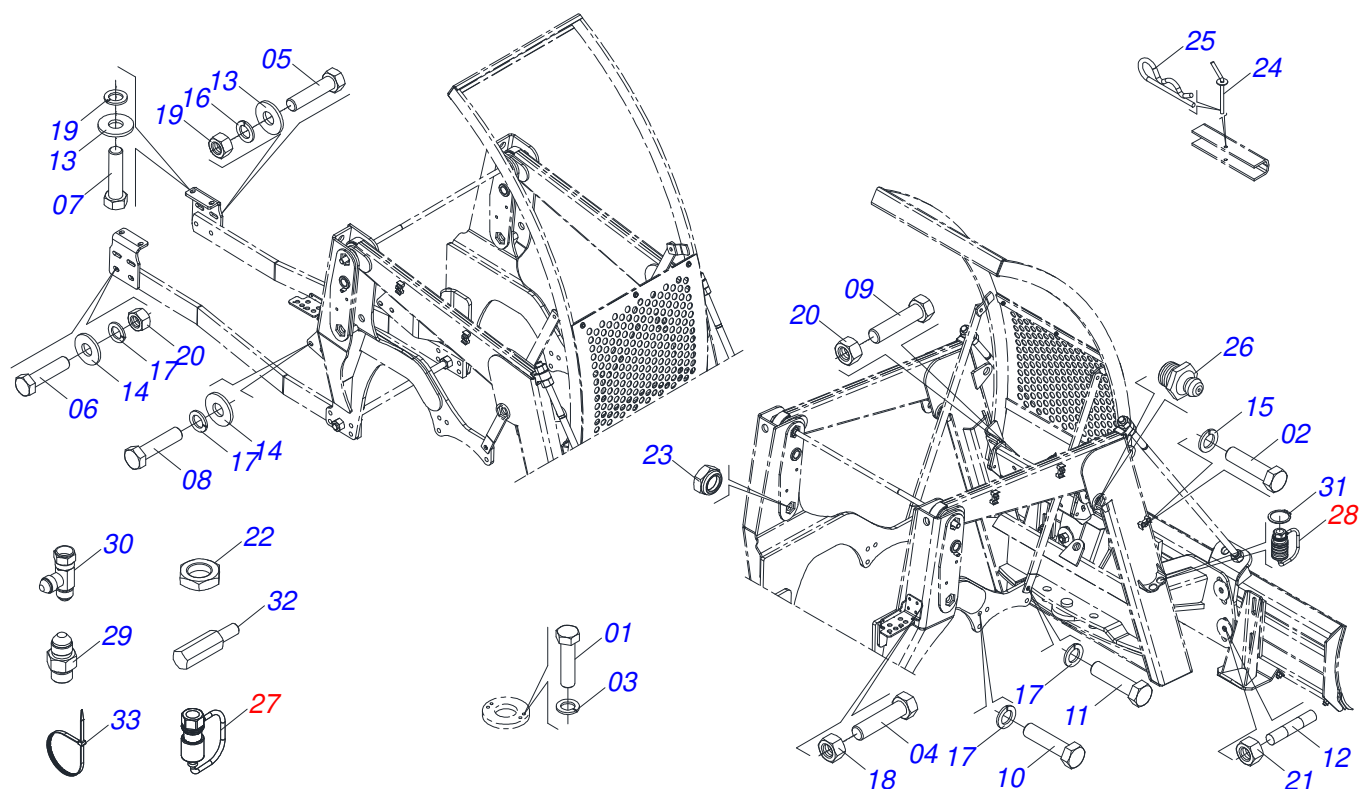
Item	Code	Description	See page	QT
32	0503011035	2-114 N 3006-9B O'RING		04
33	0581013650	TURNING RADIUS LIMITER (80)		02
34	0503013527	CLAMP ZIPER		10



Item	Code	Description	See page	QT
01	0501100416	WOODEN BOX		01
02	0501042819	1.1/4"NC X 33.46" ROD ASSY	10	01
03	0501041427	1.1/4" NC X 1540 ASSY ROD	11	02
04	0581010008	HIGH GRADE RAIL1100 - PD LS PLUS 90		02
05	0581013410	1.1/4" UNF X 155 BOLT		04
06	0581013378	GREASE SCREW		02
07	0521067568	SIEVE FIXER GUIDE		01
08	0521067567	MIX CONNECTOR FIXING BASE		01
09	0581013645	EXHAUST FIXING SUPPORT		01
10	0581010007	BACK SHOE		02
11	0909093954	HYDRAULIC CIRCUIT	20	01
12	0501010574	FLAT WASHER		04
13	0571014003	FASTENING BRACKET OF THE HIGH GUIDE		02
14	0581010243	WASHER HEX		06
15	0581013647	EXHAUST FLANGE		01
16	0502010477	HOSE CLAMP		03
17	0551010280	253 TRANSPORT LOCK		02
18	0501068213	5/8" WRENCH DOUBLE		01
19	0501061617	1" GANG BOLT WRENCH		01
20	0511032537	PACKED PARTS	21	01
21	0511033668	BAG WITH INSTRUCTION MANUAL		01
22	0581010090	SPRING PROTECTION PLASTIC HOSE		02



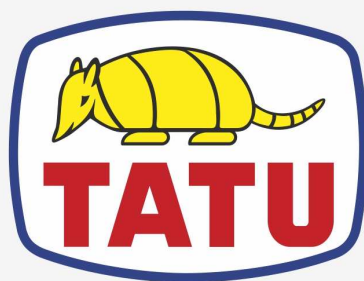
Item	Code	Description	See page	QT
01	0521050157	44,45 X 85,72 X 1049 X 360 - RIGHT HYDRAULIC CYLINDER		01
02	0521050158	44,45 X 85,72 X 1049 X 360 - LEFT HYDRAULIC CYLINDER		01
03	0511057771	R.7/8UNF - SAFETY VALVE		02
04	0521050518	HOSE KIT		01
04A	0501080218	1/2 X 750 HOSE		01
04B	0501081410	HOSE 1/2 X 850 TC-TC		01
04C	0501080225	1/2" X 2150 TR-TR HOSE		01
04D	0501081521	1/2 X 2250 TC-TC HOSE		01
04E	0501080308	1/2 X 2750 TR-TM HOSE		06



Item	Code	Description	See page	QT
01	0503011295	M 8 X 1,25 X 25 BOLT		04
02	0503011135	BOLT		03
03	0503010179	LOCK WASHER		04
04	0501010063	1/2" X 1-1/2" BOLT		02
05	0501010100	SCREW 5/8 UNC X 2 CS G.5 ZN		14
06	0501010500	3/4"X3"BOLT		12
07	0503016826	M16 X 1,5 X 65 BOLT		04
08	0503011258	M18 X 1,5 X 65 BOLT		06
09	0503013629	M20 X 2,5 X 40 C S 8.8 ZN SCREW		04
10	0503011322	M20 X 2,5 X 50 BOLT		06
11	0503013111	M20 X 2,5 X 65 BOLT		02
12	0501010572	1" X 1" X 2.9" STUD		04
13	0501012140	FLAT WASHER		18
14	0501010322	FLAT WASHER		10
15	0503010180	7/16" SPRING WASHER		03
16	0503010027	5/8" SPRING WASHER		18
17	0503010023	3/4" SPRING WASHER		30
18	0503011336	1/2" HEX SELF ADJUSTING NUT		02
19	0503010013	5/8" NUT		10
20	0503010014	3/4" NUT		12
21	0501010059	1.5/8 NUT		04
22	0551015159	NUT HEX X 38.1 R7 / 8 UNF		04
23	0503010044	1-1/4" SELF LOCKING NUT		06
24	0501068994	8,30 X 78 LOCK PIN		02
25	0503030168	HITCH PIN CLIP		02
26	0503010002	1800 GREASE FITTING		06
27	0501053834	MALE QUICK COUPLER		04
28	0501053835	FEMALE QUICK COUPLER		02
29	0551015623	7/8 NIPPLE		04
30	0503062177	7/8 (V.C) T-ADAPTER WITH NUT		02
31	0503010217	501040 CLAMPING RING (FOR AXLE)		04



Item	Code	Description	See page	QT
32	0581013650	TURNING RADIUS LIMITER (80)		02
33	0503013527	CLAMP ZIPER		10



MARCHESAN

Technical Publications | Elaboration and Revision

LORENA ROCHA ALVES

www.marchesan.com.br

