

**PD - FRONT LOADER**

## **PD VALTRA - S/A**

**Code:** 0501093329  
**Series:** S-0716  
**Revision:** 00  
**Date Revision:** JUNHO/2022

# **PARTS CATALOGUE**



**MARCHESAN**



# PRODUCTS

<b>Code</b>	<b>Description</b>
0106020461	PD VTR A750/850/950 BT CDC JS ESP S-0716
0106020429	PD VTR A750/850/950 BT SC ESP S-0716
0106020462	PD VTR A750/850/950 SHT CDC JS ESP S-0716

## **ATTENTION: IMPORTANT**

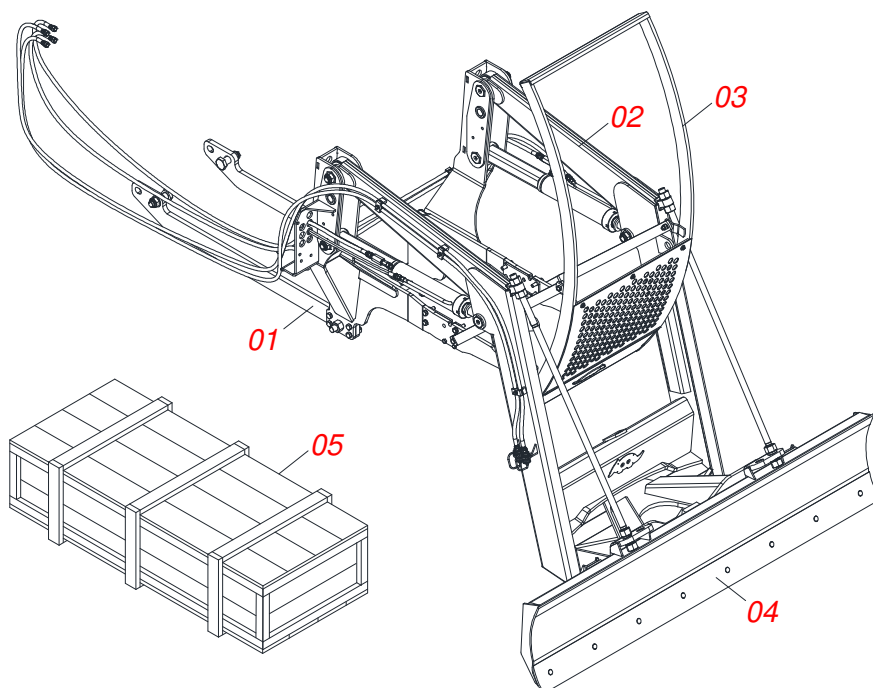
Marchesan S.A. reserves the right to improve and/or modify the technical features of its products, without obligation to do the same with those products already sold and without prior knowledge of the dealer or the consumer. The photos are only illustrative.



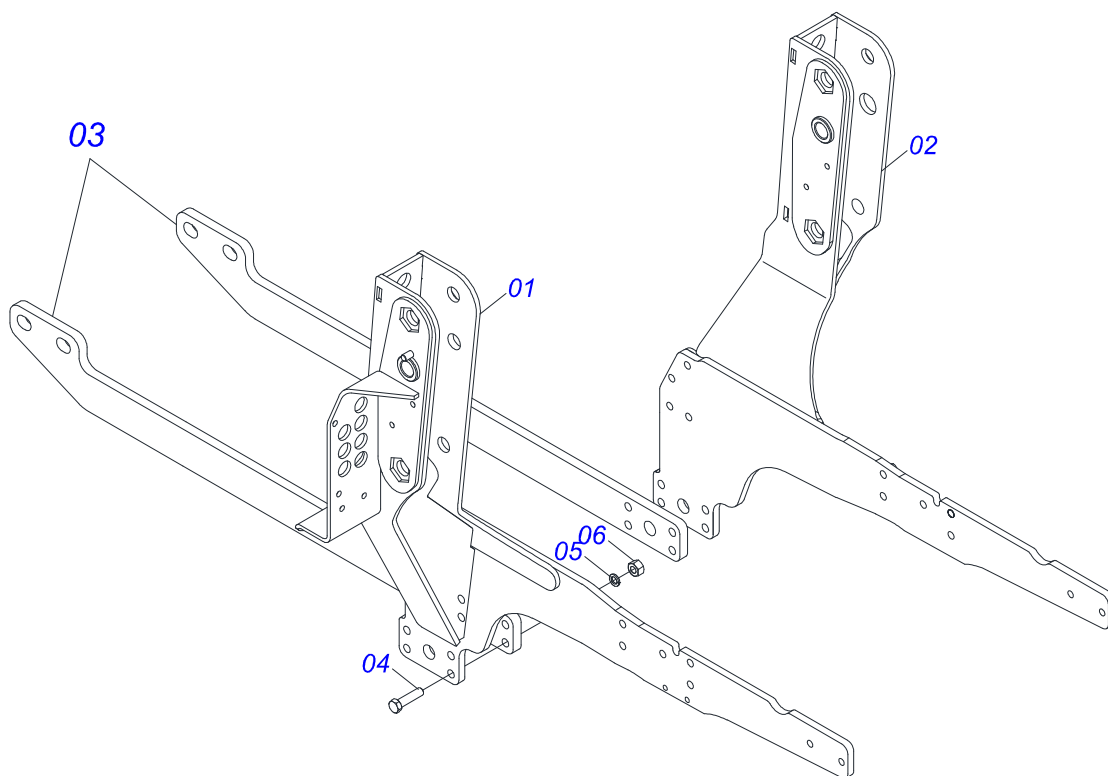
**MARCHESAN**

# INDEX

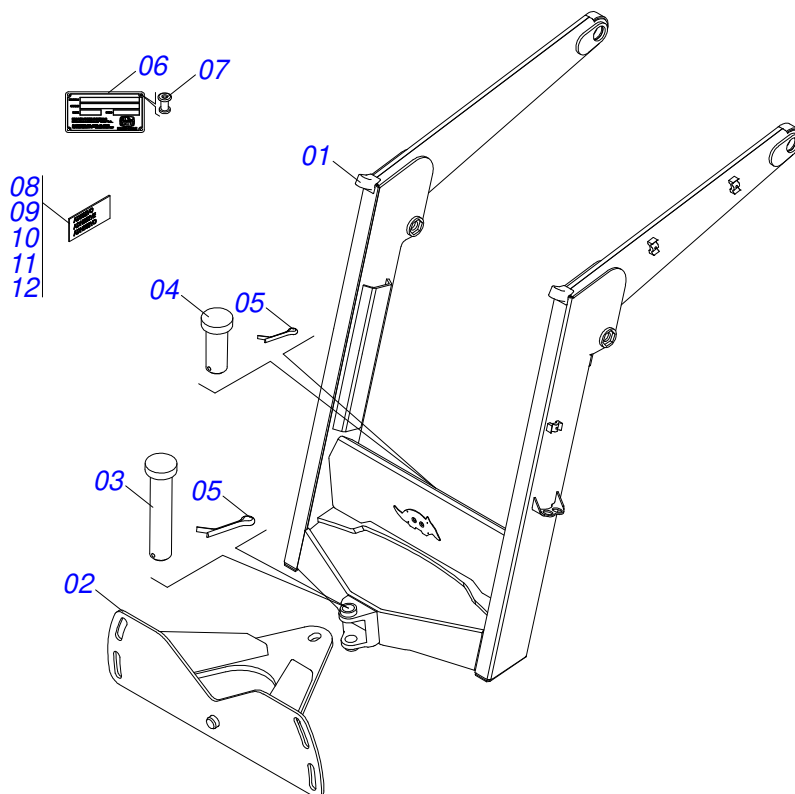
0909096405	ASSY FRAME	.....	1
0521046962	CHASSIS SET WITH REAR BAR	.....	2
0521046960	ASSY MOVEI SUPPORT	.....	3
0501048330	MOBILE SUPPORT GUIDE ASSY	.....	4
0511047750	2400 SCRAPER ASSY WITH STABILIZER BRACKET	.....	5
0501047708	2400 BLADE SUPPORT	.....	6
0521022962	BOX WITH COMPONENTS	.....	7
0521045393	SET SUPPORT JOY STICK	.....	8
0521046968	COMPLETE MONOBLOC COMMAND	.....	9
0501044434	1" NC X 700 ROD W/NUTS	.....	10
0501041427	1.1/4" NC X 1540 ASSY ROD	.....	11
0521050157	44,45 X 85,72 X 1049 X 360 - RIGHT HYDRAULIC CYLINDER	.....	12
0521050158	44,45 X 85,72 X 1049 X 360 - LEFT HYDRAULIC CYLINDER	.....	13
0521050386	HOSE SET	.....	14
0511032503	PACKAGED PARTS	.....	15
0501053835	FEMALE QUICK COUPLER	.....	16
0511057771	R.7/8UNF - SAFETY VALVE	.....	17
0521022960	BOX WITH COMPONENTS	.....	18
0521050378	HOSE KIT	.....	19
0511032502	PACKED PARTS	.....	20
0501053834	MALE QUICK COUPLER	.....	21
0521022963	BOX WITH COMPONENTS	.....	22
0521050394	HOSE KIT	.....	23
0511032504	PACKAGED PARTS	.....	24



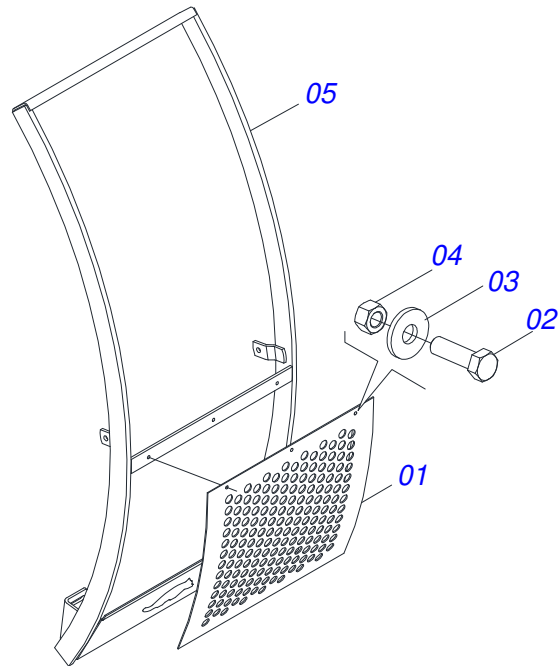
Item	Code	Description	See page	QT
01	0521046962	CHASSIS SET WITH REAR BAR	2	01
02	0521046960	ASSY MOVEL SUPPORT	3	01
03	0501048330	MOBILE SUPPORT GUIDE ASSY	4	01
04	0511047750	2400 SCRAPER ASSY WITH STABILIZER BRACKET	5	01
05	0521022962	BOX WITH COMPONENTS	7	01
05.	0521022960	BOX WITH COMPONENTS	18	01
05..	0521022963	BOX WITH COMPONENTS	22	01



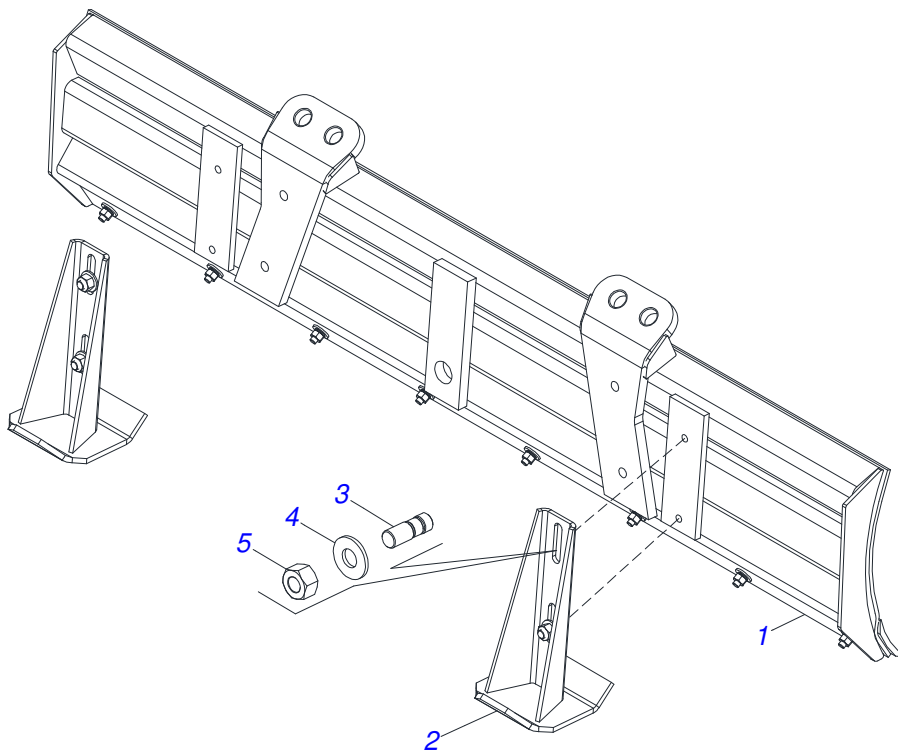
Item	Code	Description	See page	QT
01	0521067466	RIGHT FRAME		01
02	0521067465	LEFT FRAME		01
03	0571019093	REAR COUPLING BAR		02
04	0501010500	3/4"X3"BOLT		08
05	0503010023	3/4" SPRING WASHER		08
06	0503010014	3/4" NUT		08



Item	Code	Description	See page	QT
01	0521067528	MOBILE SUPPORT		01
02	0501063368	REGULATOR SUPPORT		01
03	0521010618	1.4" X 8.6" COUPLING SHAFT		01
04	0521010612	1.4" X 3.5" COUPLING SHAFT		01
05	0503010010	1/4" X 2.1/2" COTTERPIN		02
06	0503034003	SERIAL NUMBER TAG 61 X 118		01
07	0503010001	3.2 X 5.5 RIVET		04
08	0503031428	READ MANUAL DECAL		01
09	0503031827	LUBRICATE AND RETIGHTEN DAILY DECAL		01
10	0503062270	SET LABEL ADHESIVE		01
11	0503034078	LIFTING POINTS DECAL		03
12	0503031087	ADHESIVE LABEL		01

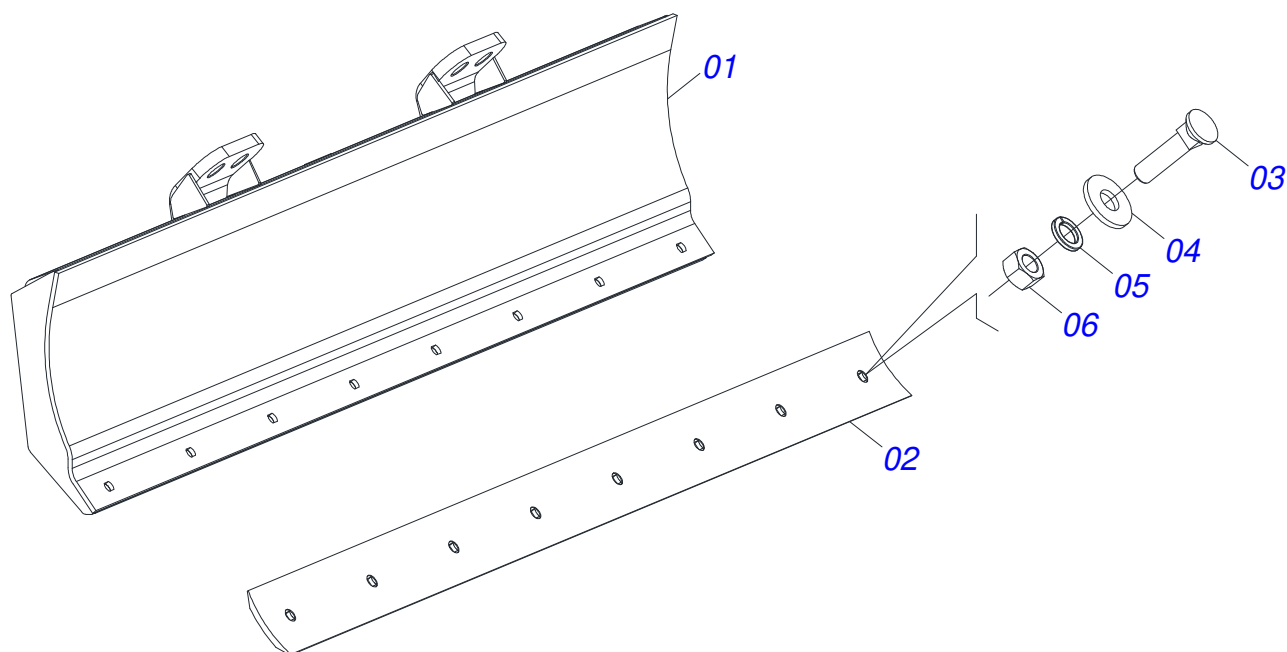


Item	Code	Description	See page	QT
01	0501014686	FRONT PROTECTION		01
02	0503010751	C3/8" X 1.1/4" HEX BOLT G.5		03
03	0501010984	FLAT WASHER		03
04	0503010026	3/8" NUT		03
05	0511061998	MOBILE SUPPORT GUIDE		01

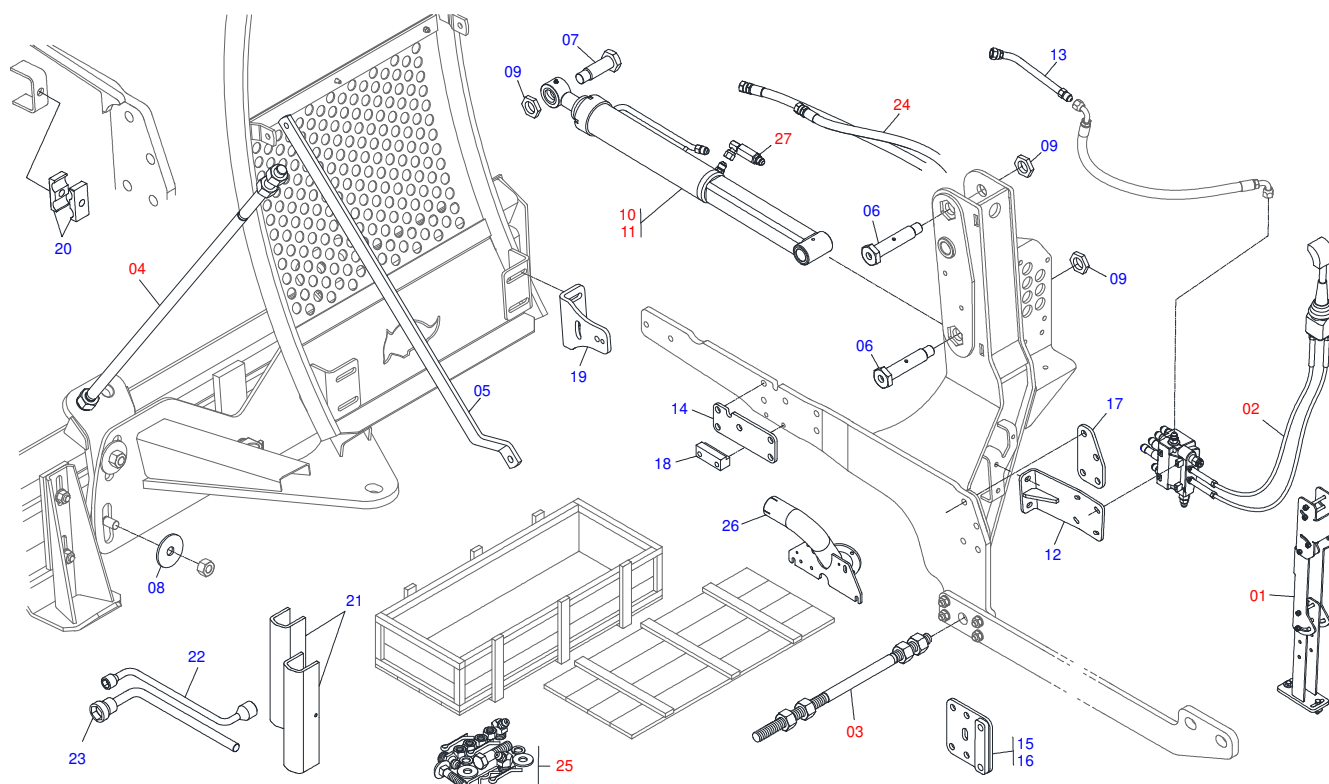


Item	Code	Description	See page	QT
01	0501047708	2400 BLADE SUPPORT	6	01
02	0501063411	ESTABILIZER BRACKET		02
03	0561016756	3/4 UNC X 3/4 UNC X 56 PRISONER		04
04	0501010322	FLAT WASHER		04
05	0503010014	3/4" NUT		04

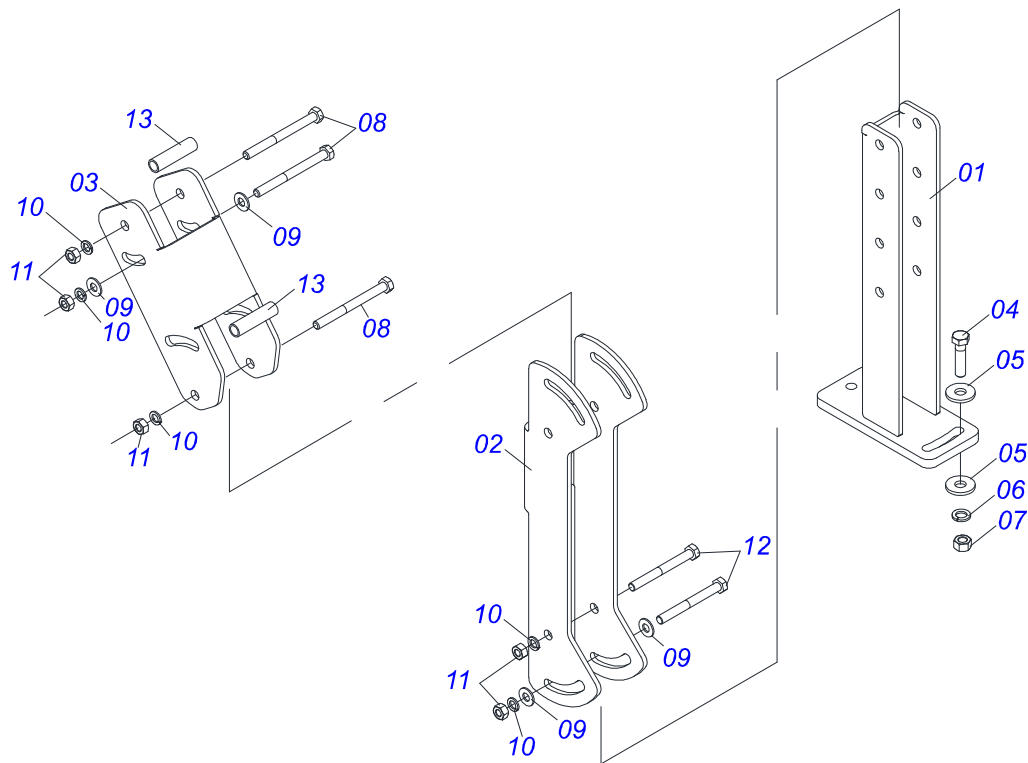




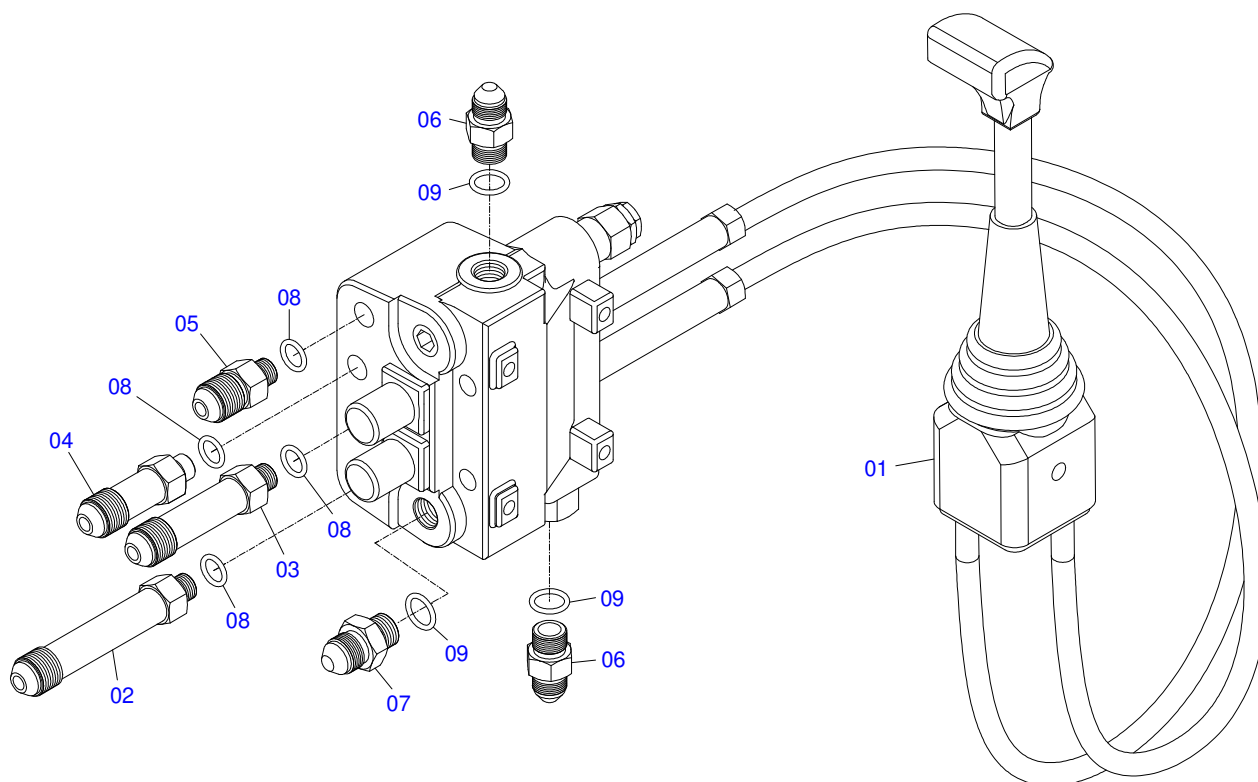
Item	Code	Description	See page	QT
01	0501067999	2390 BLADE SUPPORT		01
02	0622360016	94.5" SCRAPER REVERSIBLE		01
03	0501012240	BOLT		08
04	0501012140	FLAT WASHER		08
05	0503011445	SPRING WASHER		08
06	0503010013	5/8" NUT		08



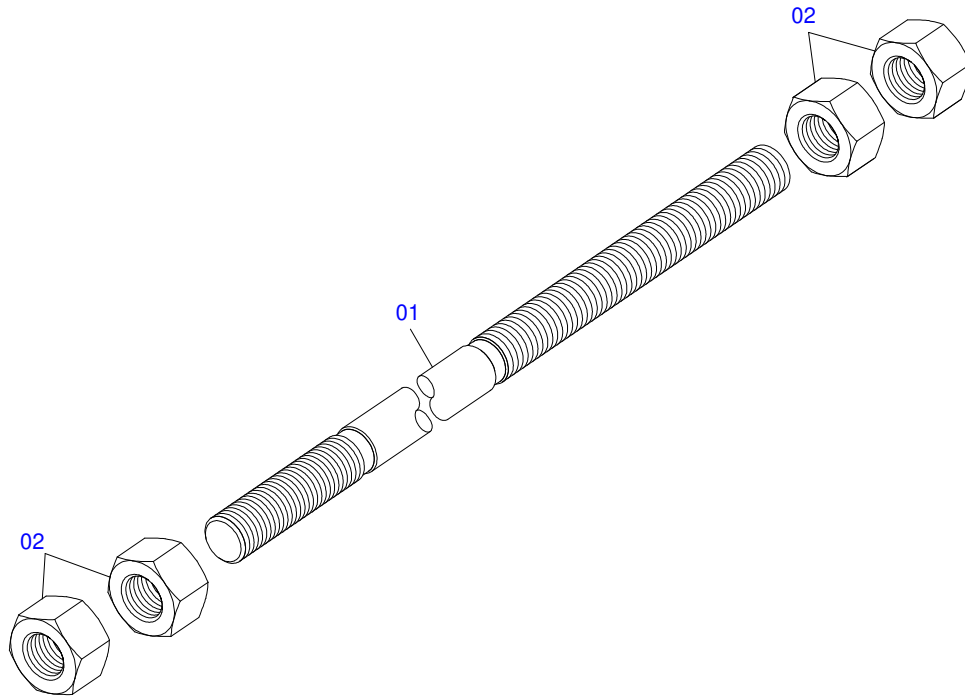
Item	Code	Description	See page	QT
01	0521045393	SET SUPPORT JOY STICK	8	01
02	0521046968	COMPLETE MONOBLOC COMMAND	9	01
03	0501044434	1" NC X 700 ROD W/NUTS	10	01
04	0501041427	1.1/4" NC X 1540 ASSY ROD	11	02
05	0581013368	FRONT GUARD BRACKET BAR		02
06	0581013410	1.1/4" UNF X 155 BOLT		04
07	0581013378	GREASE SCREW		02
08	0501010574	FLAT WASHER		04
09	0581010243	WASHER HEX		06
10	0521050157	44,45 X 85,72 X 1049 X 360 - RIGHT HYDRAULIC CYLINDER	12	01
11	0521050158	44,45 X 85,72 X 1049 X 360 - LEFT HYDRAULIC CYLINDER	13	01
12	0581013396	COMMAND SUPPORT		01
13	0521067471	PRESSURE ADAPTER		01
14	0571017227	CHASSIS SHIM		02
15	0521067359	LEFT FRAME LOCK		01
16	0521067351	RIGHT FRAME LOCK		01
17	0581013406	CENTRAL OUTER SHIM		02
18	0581013402	BEATER		02
19	0571010158	FIXER GUIDE MOBILE SUPPORT		02
20	0502010477	HOSE CLAMP		05
21	0531017238	LOCK TRANSPORT		02
22	0501068213	5/8" WRENCH DOUBLE		01
23	0501061617	1" GANG BOLT WRENCH		01
24	0521050386	HOSE SET	14	01
25	0511032503	PACKAGED PARTS	15	01
26	0521067469	EXHAUST ADAPTER		01
27	0511057771	R.7/8UNF - SAFETY VALVE	17	02



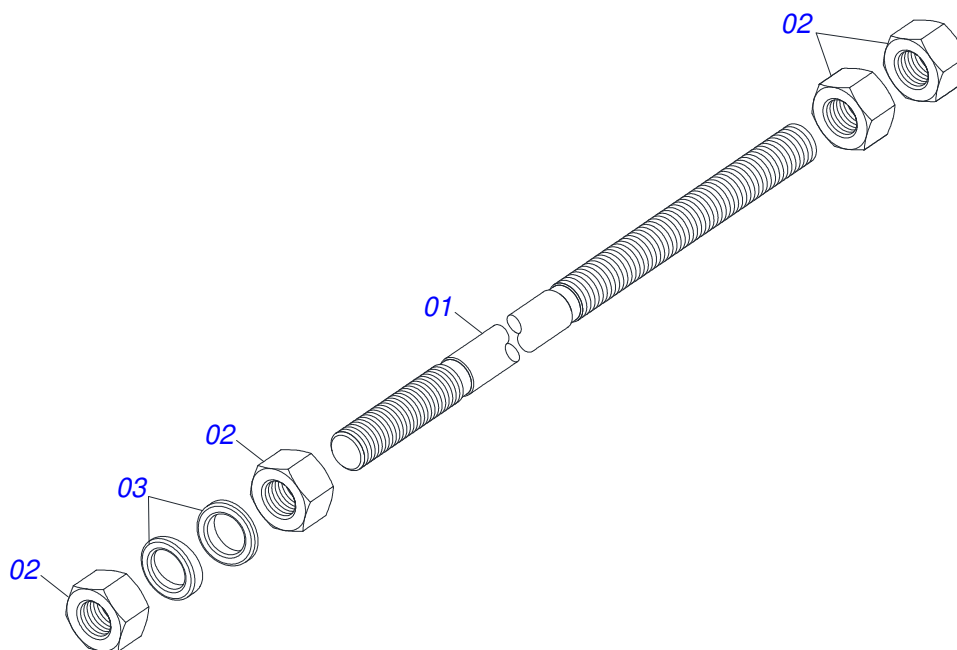
Item	Code	Description	See page	QT
01	0521065789	LOWER JOYSTICK SUPPORT		01
02	0571018376	CENTRAL BODY SUPPLEMENT OF JOYSTICK		01
03	0571018375	SUPERIOR BODY SUPPLEMENT OF JOYSTICK		01
04	0503010849	3/8" X 1-1/2" BOLT		02
05	0501010984	FLAT WASHER		02
06	0503010025	3/8" SPRING WASHER		02
07	0503010026	3/8" NUT		02
08	0503010848	5/16" X 3.1/2" BOLT		04
09	0501010694	FLAT WASHER		06
10	0503010179	LOCK WASHER		06
11	0503010337	5/16" NUT		06
12	0503011053	5/16" X 3" C S 6.5 ZN BOLT		02
13	0541015551	0.39" X 0.512" X 1.9" SLEEVE		02



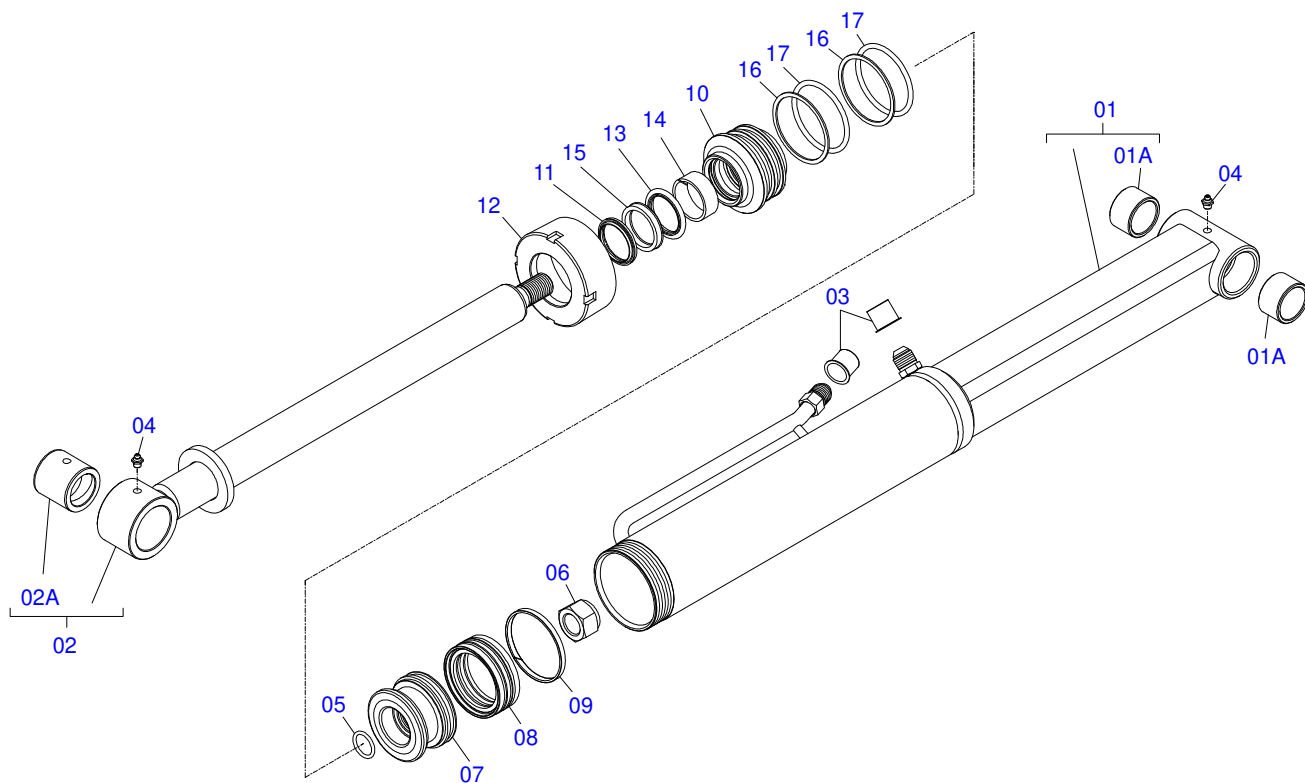
Item	Code	Description	See page	QT
01	0503062376	SDM102/2 MONOBLOC COMMAND WITH CABLE (WALVOIL 405910)		01
02	0581013382	R.7/8 X 9/16 X 125 (SEXT 22,23) NIPPLE		01
03	0581013381	R.7/8 X 9/16 X 100 (SEXT 22,23) NIPPLE		01
04	0581013380	R.7/8 X 9/16 X 75 (SEXT 22,23) NIPPLE		01
05	0581013379	R.7/8 X 9/16 X 50 (SEXT 22,23) NIPPLE		01
06	0501010617	3/4" NIPPLE		02
07	0501011460	7/8 NF REDUCTION NIPPLE		01
08	0503013161	2-013 N 3006-9B O'RING		04
09	0503012905	2113 O'RING		03



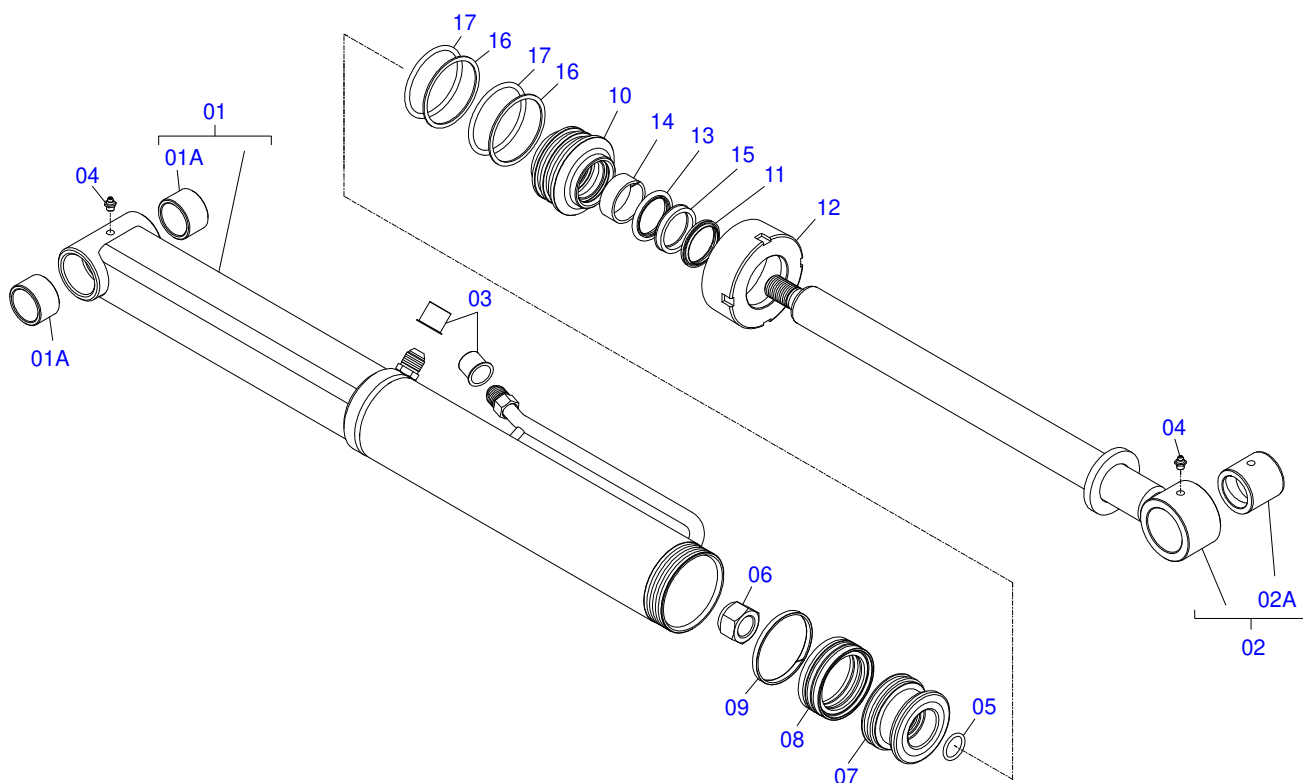
Item	Code	Description	See page	QT
01	0501014753	1" NC X 700 ROD		01
02	0501010087	1.1/4" NUT		04



Item	Code	Description	See page	QT
01	0501014250	1.1/4" X 1540 ROD		01
02	0501010087	1.1/4" NUT		04
03	0502012180	CONICAL SPRING WASHER		02

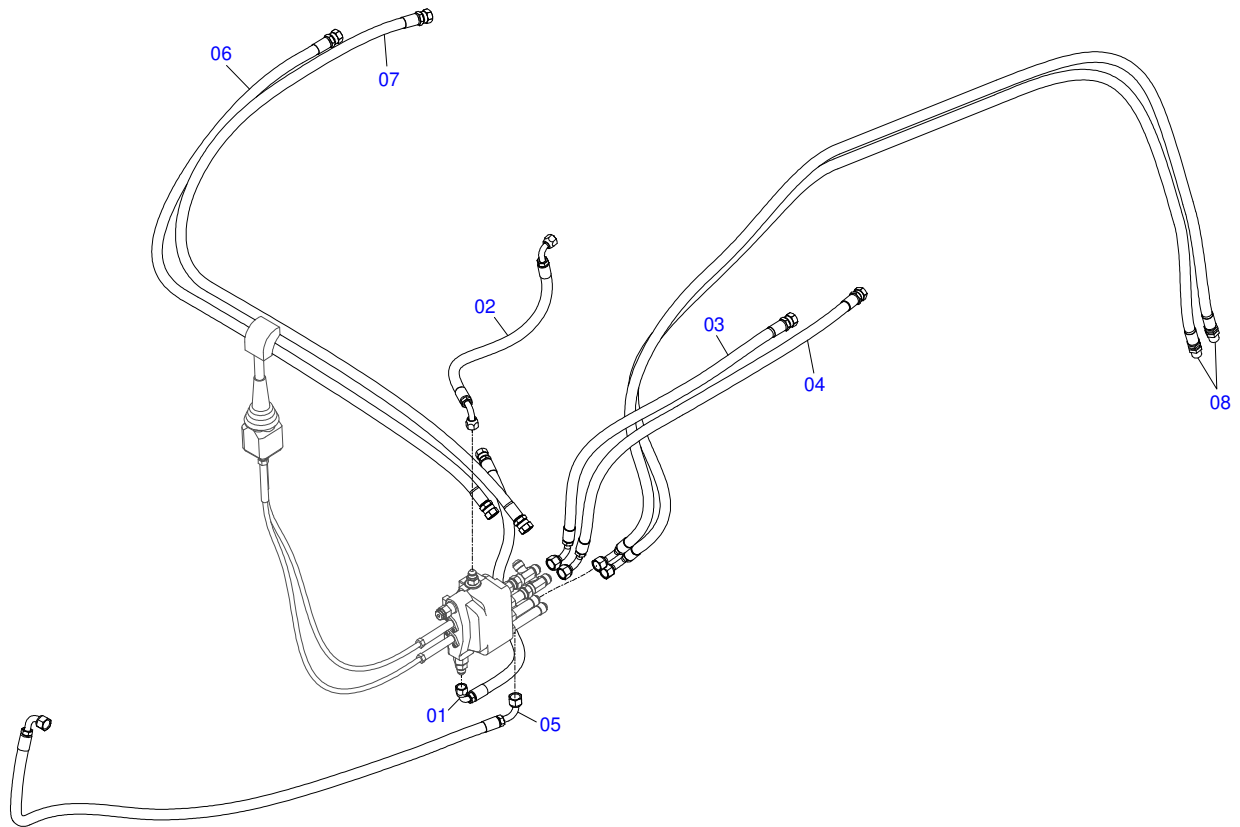


Item	Code	Description	See page	QT
01	0521067430	CYLINDER BODY		01
01A	0541014740	SLEEVE		02
02	0521067431	44,45 X 590 EXTENDER - PD VTR A750		01
02A	0521010514	38,1 X 52,9 X 50 SLEEVE INTER		01
03	0503030387	PLUG		02
04	0503010002	1800 GREASE FITTING		02
05	0503010042	2-214 N 3006-9B O'RING		01
06	0503010063	1" SELF-ALIGNING NUT		01
07	0571019710	1.7" X 3.4" PISTON		01
08	0503017935	RING		01
09	0503018144	RING		01
10	0571019711	RING SUPPORT		01
11	0503010761	D-1750 SCRAPER RING		01
12	0571019709	DETACHABLE COVER		01
13	0503017936	RING		01
14	0503017938	RING GUIDE		01
15	0503017937	GASKET		01
16	0503017940	8-337 BACK-UP RING		02
17	0503017939	2-337 N 3006-9B O' RING		02

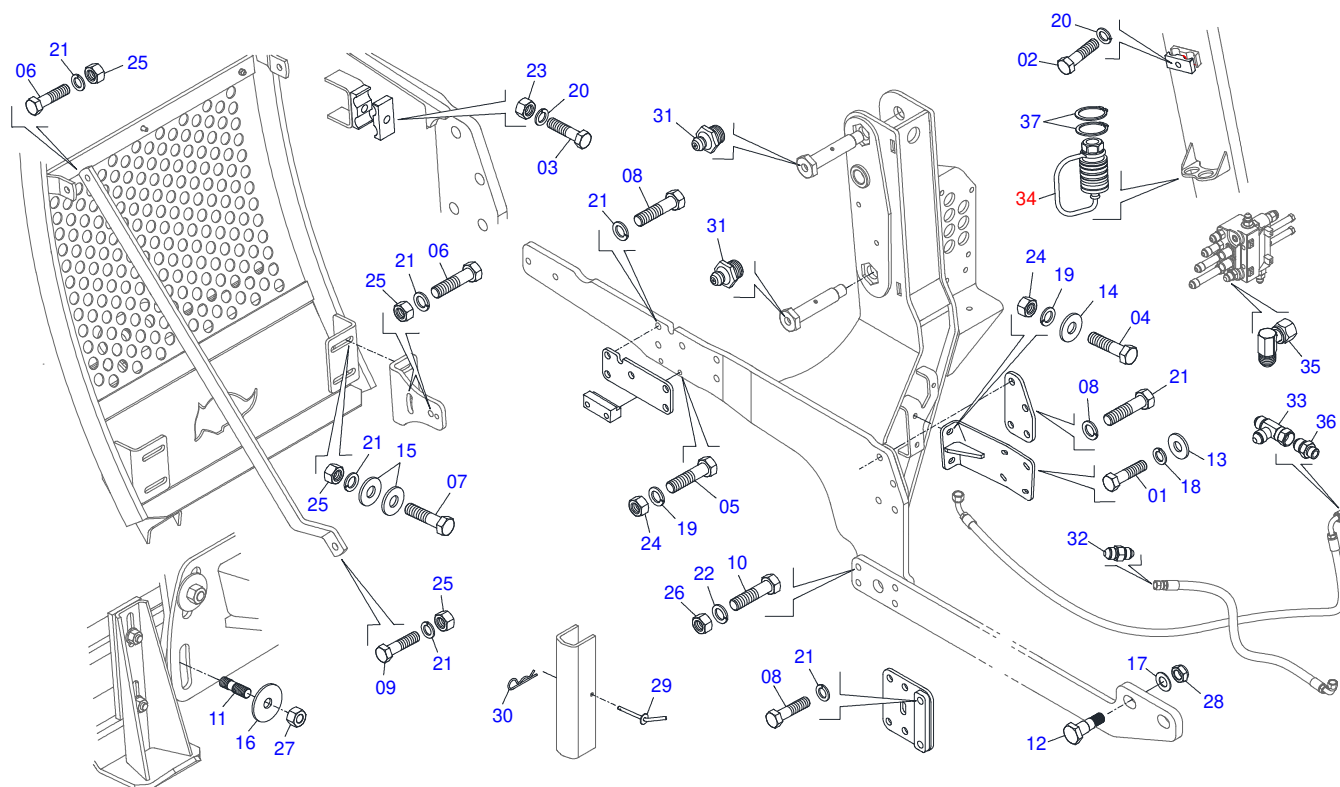


Item	Code	Description	See page	QT
01	0521067429	85,72 X 468 7/8 LEFT CYLINDER BODY - PD VTR A750		01
01A	0541014740	SLEEVE		02
02	0521067431	44,45 X 590 EXTENDER - PD VTR A750		01
02A	0521010514	38,1 X 52,9 X 50 SLEEVE INTER		01
03	0503030387	PLUG		02
04	0503010002	1800 GREASE FITTING		02
05	0503010042	2-214 N 3006-9B O'RING		01
06	0503010063	1" SELF-ALIGNING NUT		01
07	0571019710	1.7" X 3.4" PISTON		01
08	0503017935	RING		01
09	0503018144	RING		01
10	0571019711	RING SUPPORT		01
11	0503010761	D-1750 SCRAPER RING		01
12	0571019709	DETACHABLE COVER		01
13	0503017936	RING		01
14	0503017938	RING GUIDE		01
15	0503017937	GASKET		01
16	0503017940	8-337 BACK-UP RING		02
17	0503017939	2-337 N 3006-9B O' RING		02





Item	Code	Description	See page	QT
01	0501082041	3/8 X 500 TR-TC HOSE		01
02	0501082058	HOSE 3/8 X 800 TC-TC		01
03	0501081638	1/2 X 1050 TC-TR HOSE		01
04	0501080093	1/2 X 1300 HOSE TR-TC		01
05	0501080686	1/2 X 2100 TC-TC HOSE		01
06	0501080307	1/2" X 2150 TR-TR HOSE		01
07	0501080101	1/2 X 2400 TR-TR HOSE		01
08	0501080676	1/2" X 122" HOSE ASSY TC-TM		02



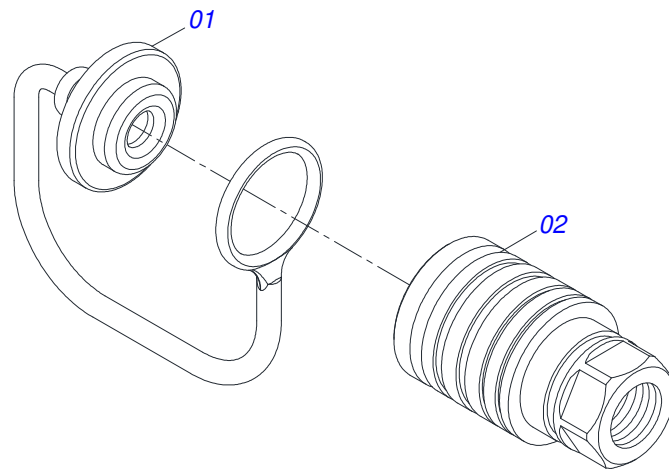
Item	Code	Description	See page	QT
01	0503010371	5/16" X 1" BOLT		04
02	0503011135	BOLT		03
03	0503011173	7/16" X 2" BOLT		01
04	0503010395	1/2" X 1-1/4" BOLT		02
05	0503010479	BOLT		01
06	0501010100	SCREW 5/8 UNC X 2 CS G.5 ZN		06
07	0503010899	5/8" X 2-1/4" BOLT		04
08	0503011730	M16 X 2 X 60 BOLT		18
09	0503012693	M16 X 2 X 75 BOLT		02
10	0501010500	3/4"X3"BOLT		16
11	0561016755	PRISONER 1 UNC X 1 UNC X 76 ZN		04
12	0571019101	1.1/4 UNF X 110 BOLT		02
13	0501010694	FLAT WASHER		04
14	0511017302	FLAT WASHER		02
15	0501012140	FLAT WASHER		10
16	0501010574	FLAT WASHER		04
17	0521011132	FLAT WASHER		02
18	0503010179	LOCK WASHER		04
19	0503010019	1/2" SPRING WASHER		06
20	0503010180	7/16" SPRING WASHER		05
21	0503010027	5/8" SPRING WASHER		28
22	0503010023	3/4" SPRING WASHER		16
23	0503010244	7/16" NUT		02
24	0503010060	1/2" NUT		06
25	0503010013	5/8" NUT		08
26	0503010014	3/4" NUT		20
27	0501010059	1.5/8 NUT		04
28	0503010044	1-1/4" SELF LOCKING NUT		08
29	0501068994	8,30 X 78 LOCK PIN		02
30	0503030012	HITCH PIN CLIP		02
31	0503010002	1800 GREASE FITTING		10



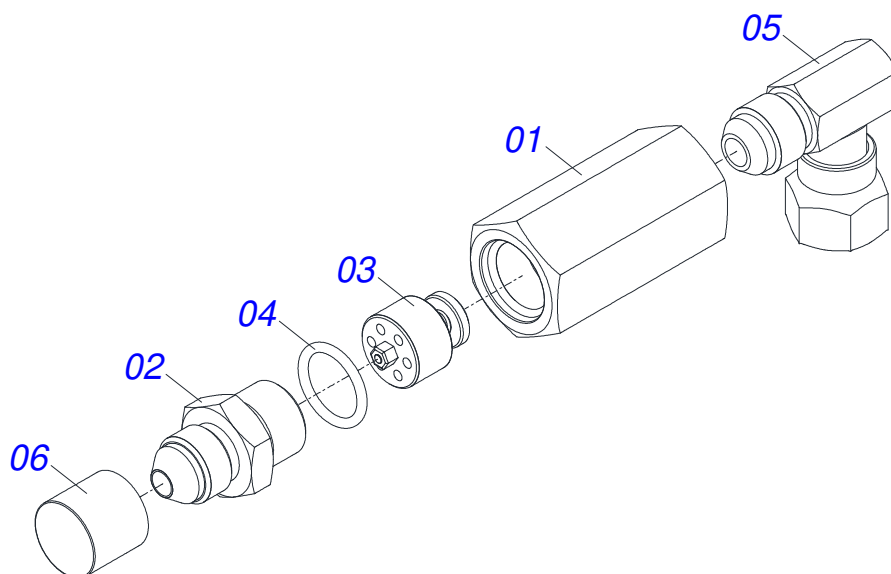
PD VALTRA - S/A  
PACKAGED PARTS

Page 15  
0511032503

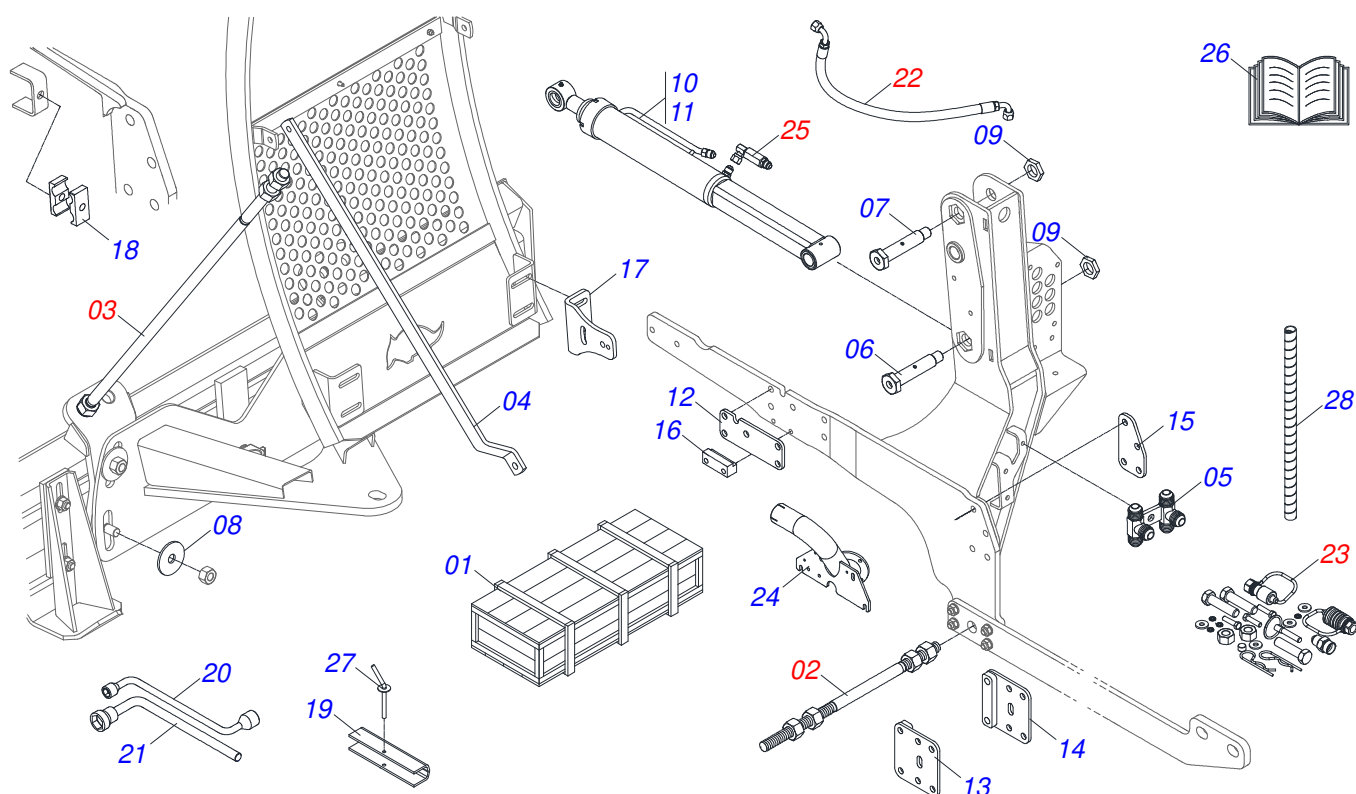
Item	Code	Description	See page	QT
32	0571018714	3/4"X3/4"UNF NIPPLE UNION (HEXAGONAL 7/8"X50)		01
33	0503062177	7/8 (V.C) T-ADAPTER WITH NUT		03
34	0501053835	FEMALE QUICK COUPLER	16	02
35	0503018033	37 X R.7/8 UNF 90° JIC MALE CONNECTOR WITH ROTATING NUT		01
36	0501011460	7/8 NF REDUCTION NIPPLE		01
37	0503010217	501040 CLAMPING RING (FOR AXLE)		02



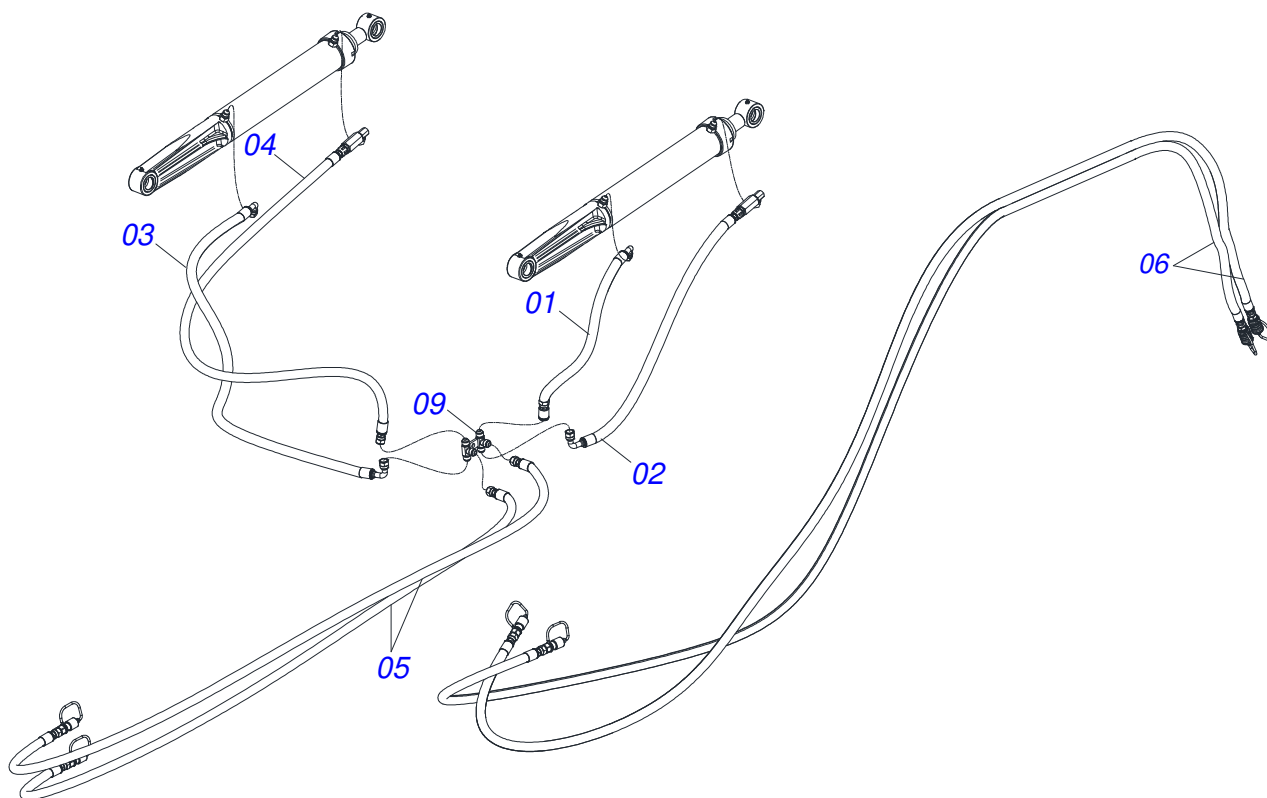
Item	Code	Description	See page	QT
01	0503011883	QUICK CONNECTION COVER		01
02	0503011628	FEMALE QUICK COUPLER		01



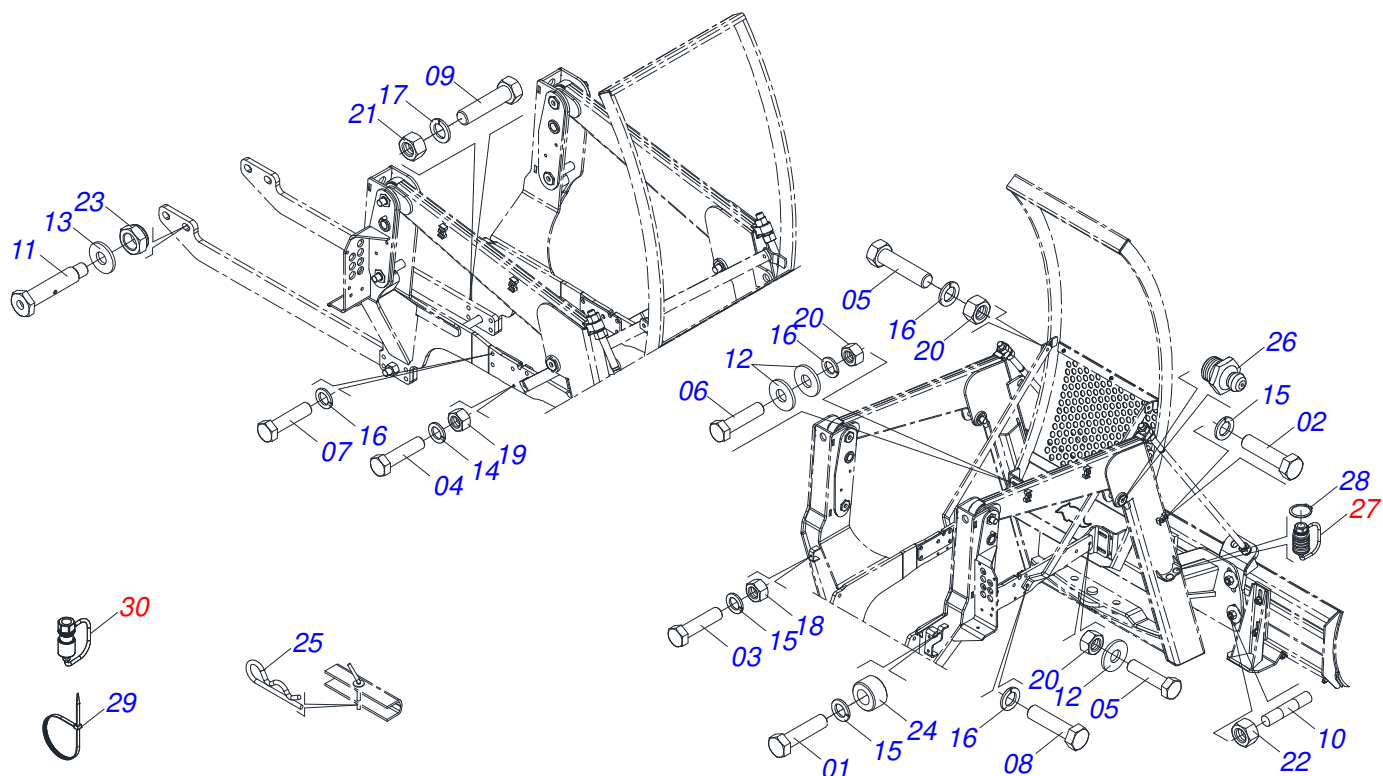
Item	Code	Description	See page	QT
01	0503018033	37 X R.7/8 UNF 90° JIC MALE CONNECTOR WITH ROTATING NUT		01
02	0581014053	1/2 BSP X 7/8 UNF JIC X 64 ADAPTER		01
03	0503016854	VALVE ASSY		01
04	0503010045	O'RING		01
05	0581014052	1/2 BSP X 7/8 UNF JIC X 43 NIPLE		01
06	0503030387	PLUG		01



Item	Code	Description	See page	QT
01	0501100416	WOODEN BOX		01
02	0501044434	1" NC X 700 ROD W/NUTS	10	01
03	0501041427	1.1/4" NC X 1540 ASSY ROD	11	02
04	0581013368	FRONT GUARD BRACKET BAR		02
05	0521064869	7/8UNF JIC OIL DISTRIBUTOR		01
06	0581013410	1.1/4" UNF X 155 BOLT		04
07	0581013378	GREASE SCREW		02
08	0501010574	FLAT WASHER		04
09	0581010243	WASHER HEX		06
10	0521050157	44,45 X 85,72 X 1049 X 360 - RIGHT HYDRAULIC CYLINDER	12	01
11	0521050158	44,45 X 85,72 X 1049 X 360 - LEFT HYDRAULIC CYLINDER	13	01
12	0571017227	CHASSIS SHIM		02
13	0521067359	LEFT FRAME LOCK		01
14	0521067351	RIGHT FRAME LOCK		01
15	0581013406	CENTRAL OUTER SHIM		02
16	0581013402	BEATER		02
17	0571010158	FIXER GUIDE MOBILE SUPPORT		02
18	0502010477	HOSE CLAMP		05
19	0531017238	LOCK TRANSPORT		02
20	0501068213	5/8" WRENCH DOUBLE		01
21	0501061617	1" GANG BOLT WRENCH		01
22	0521050378	HOSE KIT	19	01
23	0511032502	PACKED PARTS	20	01
24	0521067469	EXHAUST ADAPTER		01
25	0511057771	R.7/8UNF - SAFETY VALVE	17	02
26	0511033668	BAG WITH INSTRUCTION MANUAL		01
27	0501068994	8,30 X 78 LOCK PIN		02
28	0581010090	SPRING PROTECTION PLASTIC HOSE		02

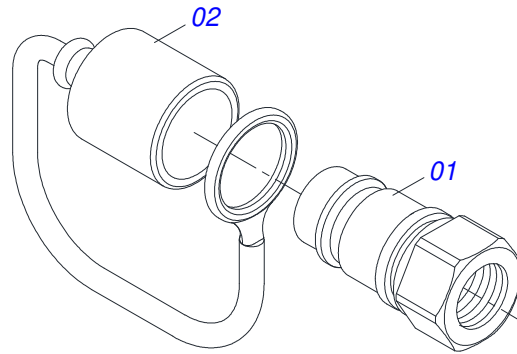


Item	Code	Description	See page	QT
01	0501081638	1/2 X 1050 TC-TR HOSE		01
02	0501080093	1/2 X 1300 HOSE TR-TC		01
03	0501080307	1/2" X 2150 TR-TR HOSE		01
04	0501080101	1/2 X 2400 TR-TR HOSE		01
05	0501080075	1/2 X 2400 TR-TM HOSE ASSY		02
06	0501080291	1/2" X 208" TR-TM HOSE ASSY		02

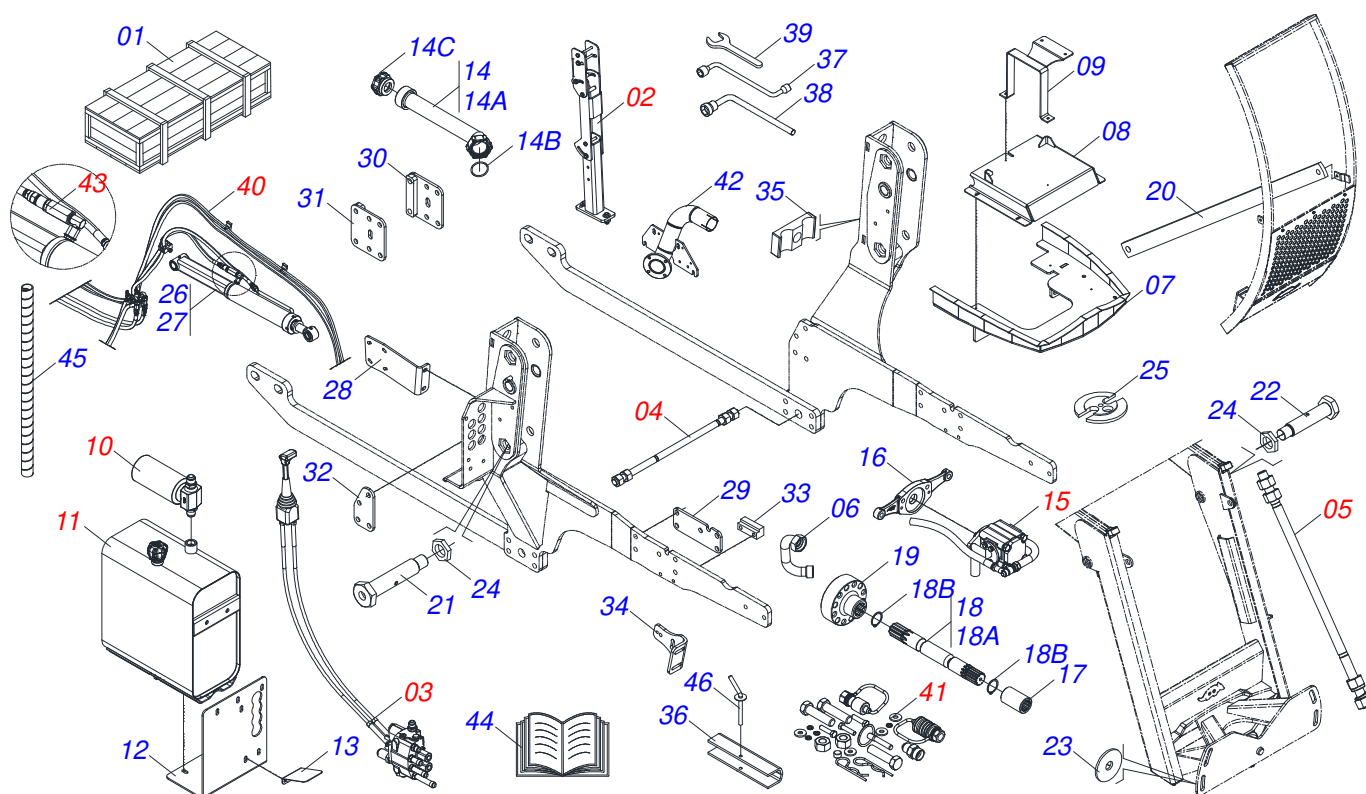


Item	Code	Description	See page	QT
01	0503011102	BOLT 7/16 UNC X 1.1/4 C S G.5 ZN		01
02	0503011135	BOLT		03
03	0503011173	7/16" X 2" BOLT		01
04	0503010479	BOLT		04
05	0501010100	SCREW 5/8 UNC X 2 CS G.5 ZN		06
06	0503010899	5/8" X 2-1/4" BOLT		04
07	0503011730	M16 X 2 X 60 BOLT		18
08	0503012693	M16 X 2 X 75 BOLT		02
09	0501010500	3/4"X3"BOLT		08
10	0561016755	PRISONER 1 UNC X 1 UNC X 76 ZN		04
11	0571019101	1.1/4 UNF X 110 BOLT		02
12	0501012140	FLAT WASHER		10
13	0521011132	FLAT WASHER		02
14	0503010019	1/2" SPRING WASHER		04
15	0503010180	7/16" SPRING WASHER		05
16	0503010027	5/8" SPRING WASHER		30
17	0503010023	3/4" SPRING WASHER		08
18	0503010244	7/16" NUT		02
19	0503010060	1/2" NUT		04
20	0503010013	5/8" NUT		08
21	0503010014	3/4" NUT		08
22	0501010059	1.5/8 NUT		04
23	0503010044	1-1/4" SELF LOCKING NUT		08
24	0521012999	13,20 X 25 X 15 AST/MATIC 550 GLOVE		01
25	0503030168	HITCH PIN CLIP		02
26	0503010002	1800 GREASE FITTING		06
27	0501053835	FEMALE QUICK COUPLER	16	02
28	0503010217	501040 CLAMPING RING (FOR AXLE)		04
29	0503013527	CLAMP ZIPER		10
30	0501053834	MALE QUICK COUPLER	21	04





Item	Code	Description	See page	QT
01	0503011627	MALE QUICK COUPLER AGR 1/2 NPT		01
02	0503011882	MALE QUICK COUPLER CAP		01

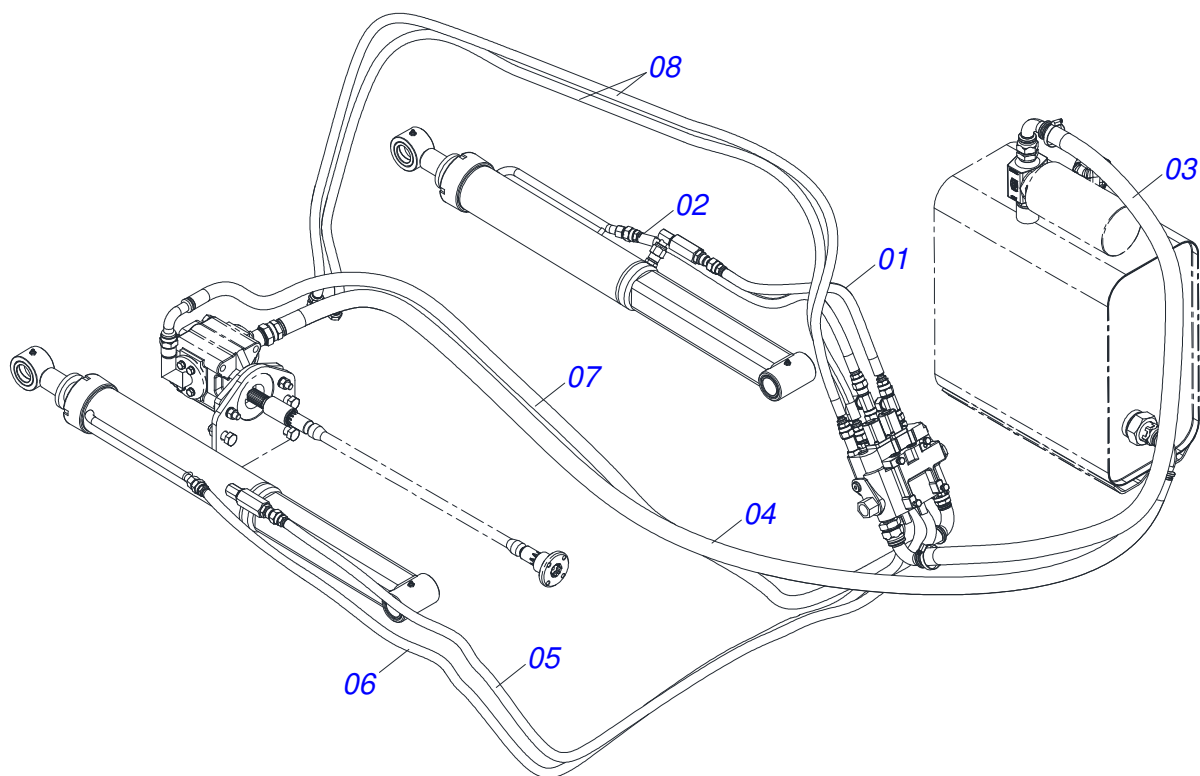


Item	Code	Description	See page	QT
01	0501100416	WOODEN BOX		01
02	0521045393	SET SUPPORT JOY STICK	8	01
03	0521046875	1/2 COMPLETE JOYSTICK CONTROL		01
04	0501044434	1" NC X 700 ROD W/NUTS	10	01
05	0501041427	1.1/4" NC X 1540 ASSY ROD	11	02
06	0521067470	TANK OUTLET TUBE		01
07	0521065610	FRONT COVER		01
08	0521065612	BATTERY HOLDER		01
09	0571017962	FILTER HOLDER		01
10	0521050247	R.7/8 LARGER RETURN FILTER		01
11	0521046987	FULL OIL RESERVOIR		01
12	0581013225	TANK HOLDER 340		01
13	0581013395	HOSE PROTECTION		01
14	0521050292	TANK MOUTH EXTENSION WITH LID		01
14A	0521067432	FUEL FILLER NECK (DIESEL)		01
14B	0503010141	2-226 N 3006-9B O'RING		02
14C	0502020549	TANK COVER		01
15	0521045277	40L PUMP WITH PIPES		01
16	0502010097	PUMP SUPPORT		01
17	0503030838	1-1/8" X 2.4" SLEEVE		01
18	0521054138	290 X 1.1/8 SHAFT WITH LOCKING RING		01
18A	0521065607	290 X 1.1/8 STRIATED SHAFT		01
18B	0503010174	501028 CLAMPING RING (FOR AXLE)		02
19	0501067327	COUPLING FLANGE		01
20	0581013368	FRONT GUARD BRACKET BAR		02
21	0581013410	1.1/4" UNF X 155 BOLT		04
22	0581013378	GREASE SCREW		02
23	0501010574	FLAT WASHER		04
24	0581010243	WASHER HEX		06
25	0581013404	PUMP		02
26	0521050157	44,45 X 85,72 X 1049 X 360 - RIGHT HYDRAULIC 12 CYLINDER		01

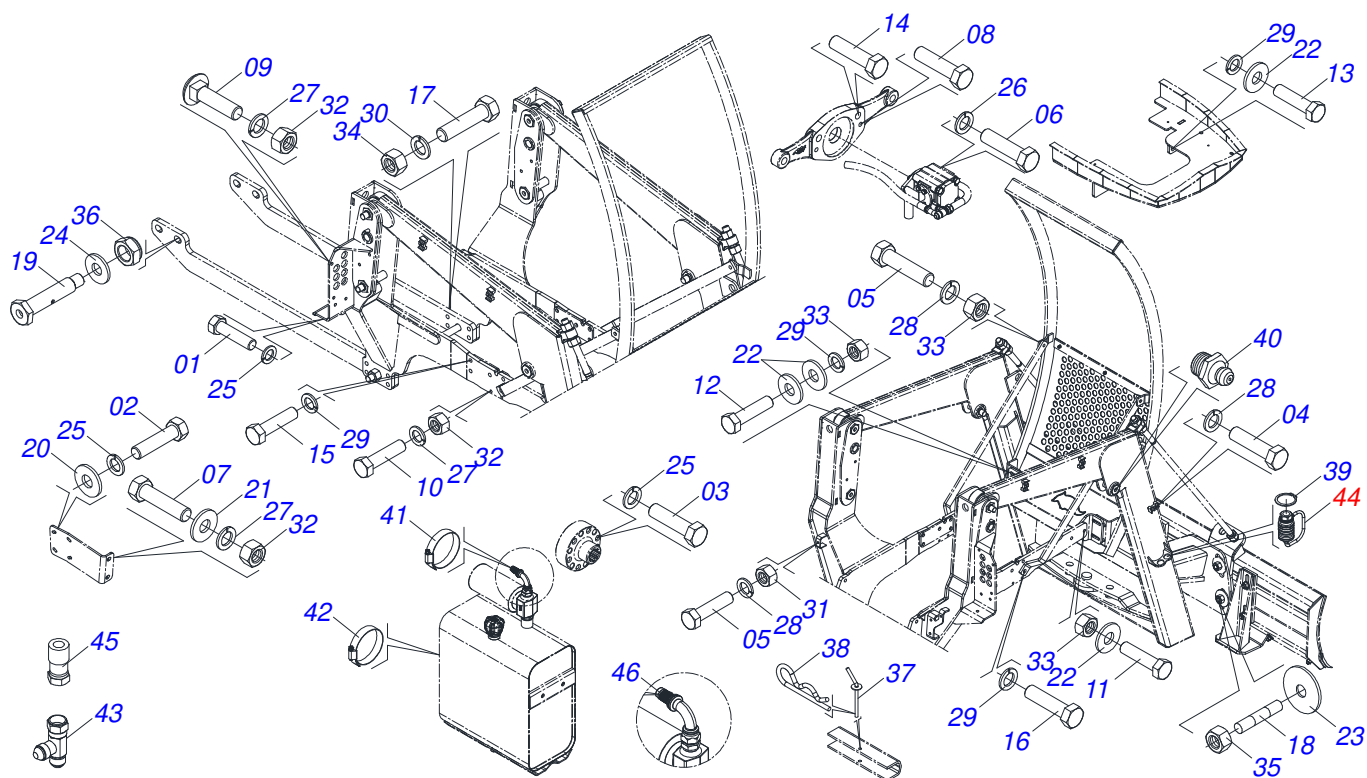


PD VALTRA - S/A  
BOX WITH COMPONENTS

Item	Code	Description	See page	QT
27	0521050158	44,45 X 85,72 X 1049 X 360 - LEFT HYDRAULIC CYLINDER	13	01
28	0521067467	COMMAND SUPPORT		01
29	0571017227	CHASSIS SHIM		02
30	0521067359	LEFT FRAME LOCK		01
31	0521067351	RIGHT FRAME LOCK		01
32	0581013406	CENTRAL OUTER SHIM		02
33	0581013402	BEATER		02
34	0571010158	FIXER GUIDE MOBILE SUPPORT		02
35	0502010477	HOSE CLAMP		05
36	0531017238	LOCK TRANSPORT		02
37	0501068213	5/8" WRENCH DOUBLE		01
38	0501061617	1" GANG BOLT WRENCH		01
39	0511010153	2-5/16" FIXED WRENCH		01
40	0521050394	HOSE KIT	23	01
41	0511032504	PACKAGED PARTS	24	01
42	0521067469	EXHAUST ADAPTER		01
43	0511057771	R.7/8UNF - SAFETY VALVE	17	02
44	0511033668	BAG WITH INSTRUCTION MANUAL		01
45	0581010090	SPRING PROTECTION PLASTIC HOSE		02
46	0501068994	8,30 X 78 LOCK PIN		02



Item	Code	Description	See page	QT
01	0501081638	1/2 X 1050 TC-TR HOSE		01
02	0501080093	1/2 X 1300 HOSE TR-TC		01
03	0501014090	1 X 1450 AB-AB HOSE		01
04	0501013456	1.1/4 X 1600 AB-AB HOSE		01
05	0501080307	1/2" X 2150 TR-TR HOSE		01
06	0501080288	1/2 X 2300 TR-TR HOSE		01
07	0501080892	3/4 X 2500 TC-TC HOSE		01
08	0501081407	1/2 X 3100 TR-TC HOSE		02



Item	Code	Description	See page	QT
01	0503016506	5/16 UNC X 3/4 C S G.5 ZN BOLT		04
02	0503011295	M 8 X 1,25 X 25 BOLT		04
03	0503011313	M 8 X 1,25 X 50 BOLT		06
04	0503011135	BOLT		04
05	0503011173	7/16" X 2" BOLT		01
06	0503010728	M10 X 1.2" BOLT		02
07	0503010395	1/2" X 1-1/4" BOLT		02
08	0501010161	1/2" X 1.1/4" BOLT		07
09	0503014734	BOLT		05
10	0503010479	BOLT		01
11	0501010100	SCREW 5/8 UNC X 2 CS G.5 ZN		06
12	0503010899	5/8" X 2-1/4" BOLT		04
13	0503010148	M16 X 2 X 40 BOLT		02
14	0503011188	M16 X 2 X 50 BOLT		02
15	0503011730	M16 X 2 X 60 BOLT		18
16	0503012693	M16 X 2 X 75 BOLT		02
17	0501010500	3/4"X3"BOLT		16
18	0561016755	PRISONER 1 UNC X 1 UNC X 76 ZN		01
19	0571019101	1.1/4 UNF X 110 BOLT		02
20	0501010694	FLAT WASHER		08
21	0511017302	FLAT WASHER		07
22	0501012140	FLAT WASHER		12
23	0501010574	FLAT WASHER		04
24	0521011132	FLAT WASHER		02
25	0503010179	LOCK WASHER		08
26	0503010025	3/8" SPRING WASHER		06
27	0503010019	1/2" SPRING WASHER		17
28	0503010180	7/16" SPRING WASHER		05
29	0503010027	5/8" SPRING WASHER		32
30	0503010023	3/4" SPRING WASHER		16
31	0503010244	7/16" NUT		02



PD VALTRA - S/A  
PACKAGED PARTS

Page 24  
0511032504

Item	Code	Description	See page	QT
32	0503010060	1/2" NUT		12
33	0503010013	5/8" NUT		08
34	0503010014	3/4" NUT		20
35	0501010059	1.5/8 NUT		04
36	0503010044	1-1/4" SELF LOCKING NUT		08
37	0501068994	8,30 X 78 LOCK PIN		02
38	0503030012	HITCH PIN CLIP		02
39	0503010174	501028 CLAMPING RING (FOR AXLE)		02
40	0503010002	1800 GREASE FITTING		10
41	0503010243	CLAMP		04
42	0503014367	CLAMP		02
43	0503062177	7/8 (V.C) T-ADAPTER WITH NUT		02
44	0501053835	FEMALE QUICK COUPLER	16	02
45	0503014881	STRAIGHT TERMINAL		01
46	0503018722	JIC CURVE TERMINAL FOR HOSE 1"		02





**MARCHESAN**

**Technical Publications | Elaboration and Revision**

LORENA ROCHA ALVES

[www.marchesan.com.br](http://www.marchesan.com.br)

