

PCA 600/PCA PLUS 1500

PCA 600 / PCA PLUS 1500 - VALTRA - S/A

Code: 0501093328

Series: S-0716

Revision: 00

Date Revision: MAIO/2022

PARTS CATALOGUE



MARCHESAN



PRODUCTS

Code	Description
0106111916	PCA 600 VTR A750/850/950 BT CDC JS AR ESP S-0716
0106111915	PCA 600 VTR A750/850/950 BT CDC JS ESP S-0716
0106111863	PCA 600 VTR A750/850/950 BT SC ESP S-0716
0106111917	PCA 600 VTR A750/850/950 SHT CDC JS ESP S-0716
0106111918	PCA PLUS 1500 VTR A750/850/950 BT CDC ESP S-0716
0106111919	PCA PLUS 1500 VTR A750/850/950 BT CDC ESP S-0716
0106111864	PCA PLUS 1500 VTR A750/850/950 BT SC ESP S-0716
0106111920	PCA PLUS 1500 VTR A750/850/950 SHT CDC ESP S-0716

ATTENTION: IMPORTANT

Marchesan S.A. reserves the right to improve and/or modify the technical features of its products, without obligation to do the same with those products already sold and without prior knowledge of the dealer or the consumer. The photos are only illustrative.

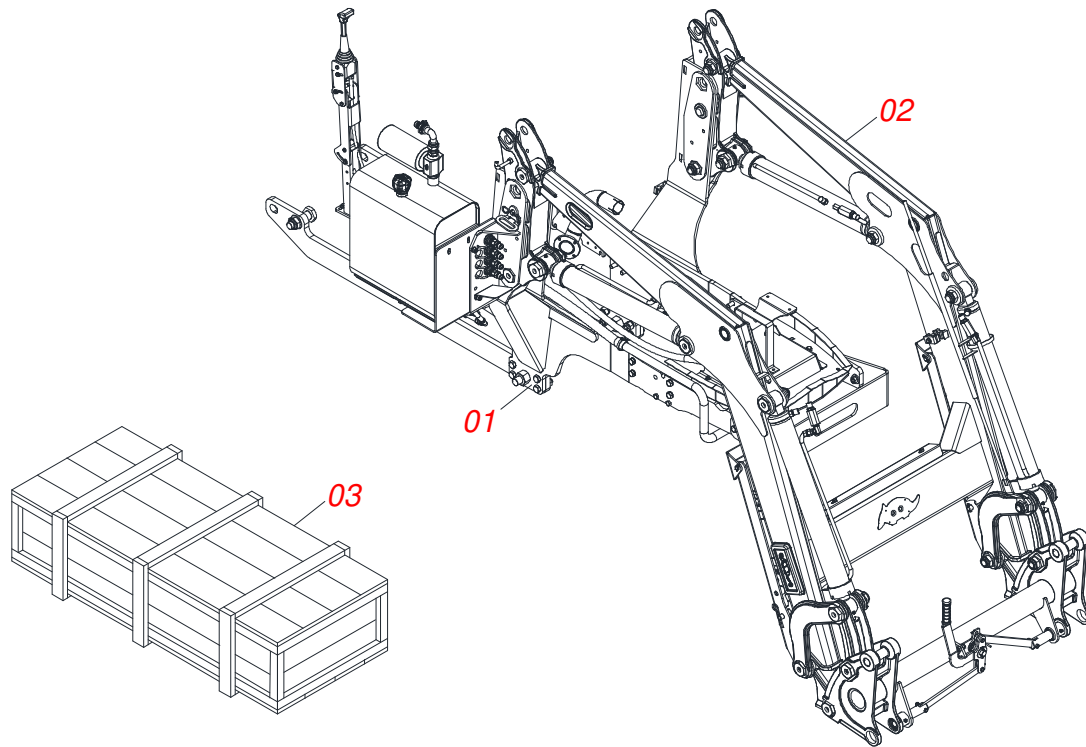


MARCHESAN

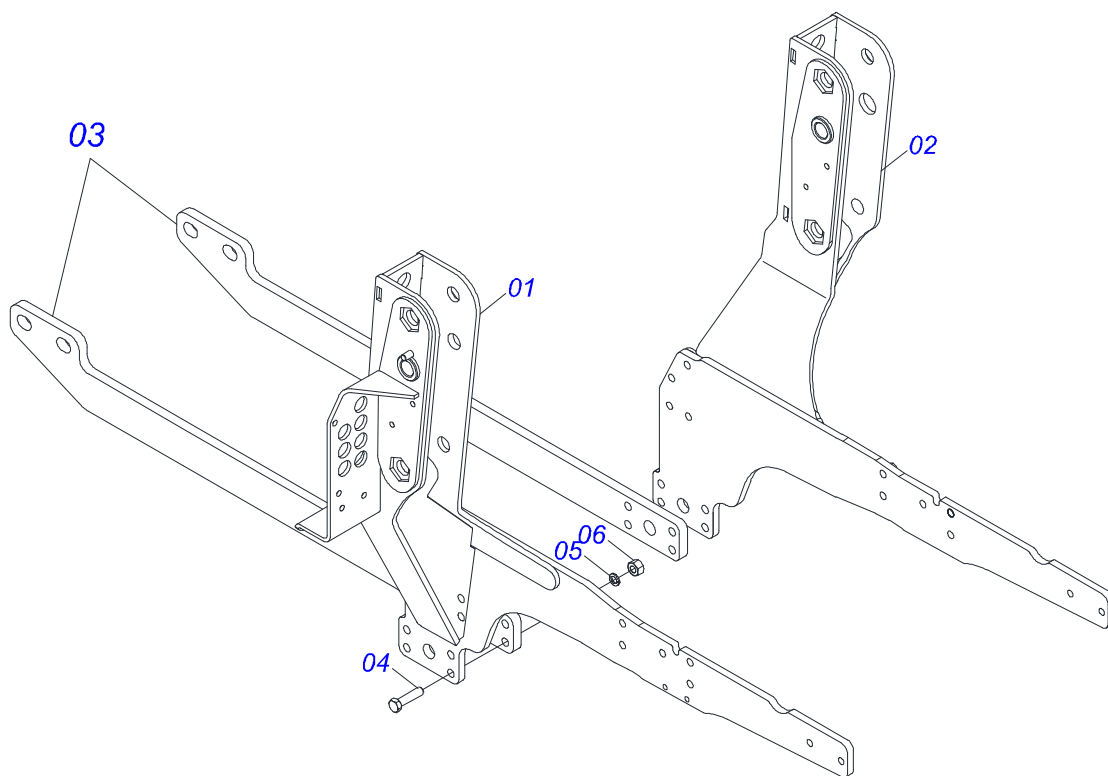
INDEX

0909096336	ASSY FRAME	1
0521046962	CHASSIS SET WITH REAR BAR	2
0531041063	MOBILE SUPPORT ASSY - PCA 600	3
0531041066	MOVING SUPPORT - PCA PLUS 1500	4
0521022970	COMPONENT WITH BOX	5
0521045393	SET SUPPORT JOY STICK	6
0521046974	CONTROL 3/8" MONOBLOC WITH JOYSTICK - VTR	7
0521046975	MANIFOLD 2PS06-4-2	8
0521050418	HOSE SET	9
0511032508	PACKED PARTS	10
0521022967	BOX WITH COMPONENTS	11
0521045489	BLOCK COMMAND	12
0501044434	1" NC X 700 ROD W/NUTS	13
0511056981	HOSE KIT	14
0511032506	PACKED PARTS	15
0501053835	FEMALE QUICK COUPLER	16
0521022966	BOX WITH COMPONENTS	17
0511032505	PACKED PARTS	18
0501053834	MALE QUICK COUPLER	19
0521022973	BOX WITH COMPONENTS	20
0521046875	1/2 COMPLETE JOYSTICK CONTROL	21
0521045277	40L PUMP WITH PIPES	22
0521046987	FULL OIL RESERVOIR	23
0521050247	R.7/8 LARGER RETURN FILTER	24
0511032510	PACKED PARTS	25

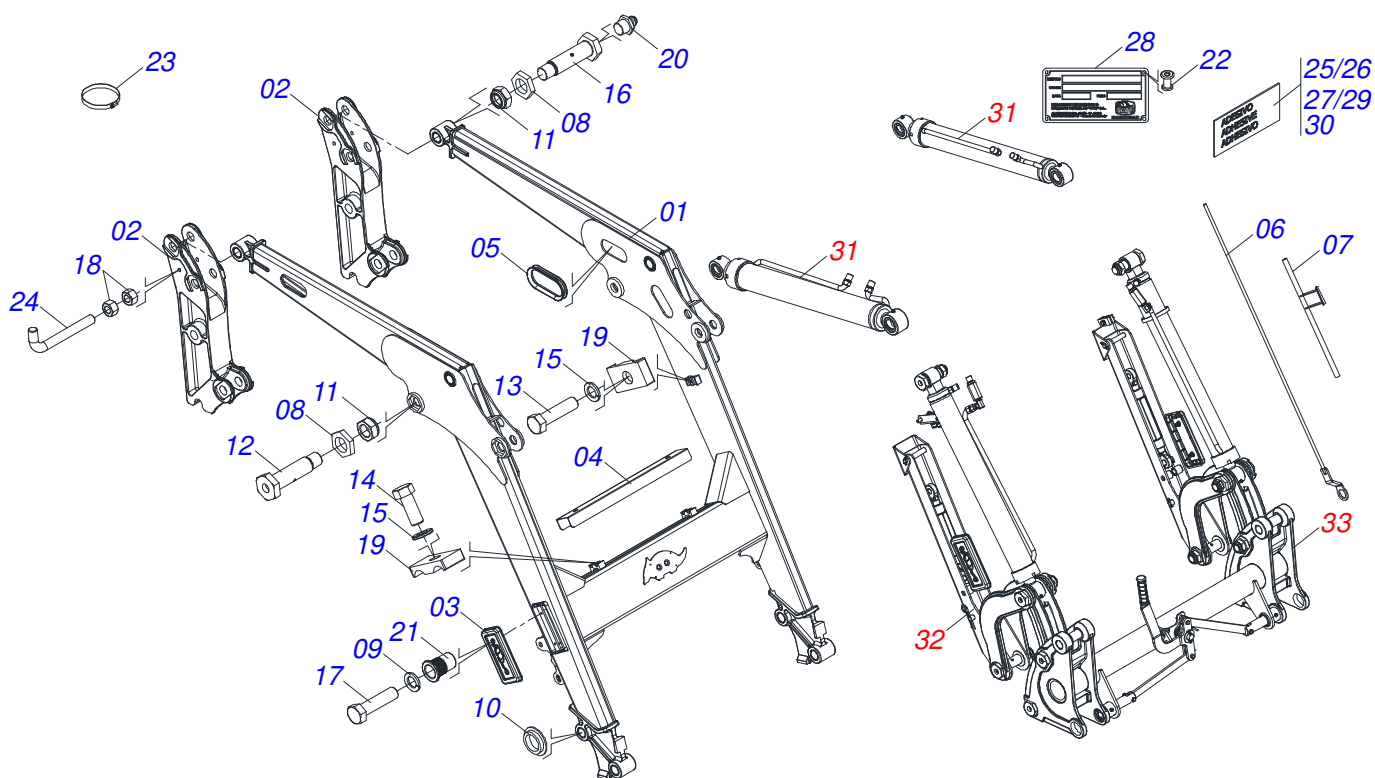
ASSY FRAME



Item	Code	Description	See page	PCA 600	PCA PLUS 1500
01	0521046962	CHASSIS SET WITH REAR BAR	2	01	01
02	0531041063	MOBILE SUPPORT ASSY - PCA 600	3	01	00
02.	0531041066	MOVING SUPPORT - PCA PLUS 1500	4	00	01
03	0521022970	COMPONENT WITH BOX	5	01	01
03.	0521022967	BOX WITH COMPONENTS	11	01	01
03..	0521022966	BOX WITH COMPONENTS	17	01	01
03...	0521022973	BOX WITH COMPONENTS	20	01	01



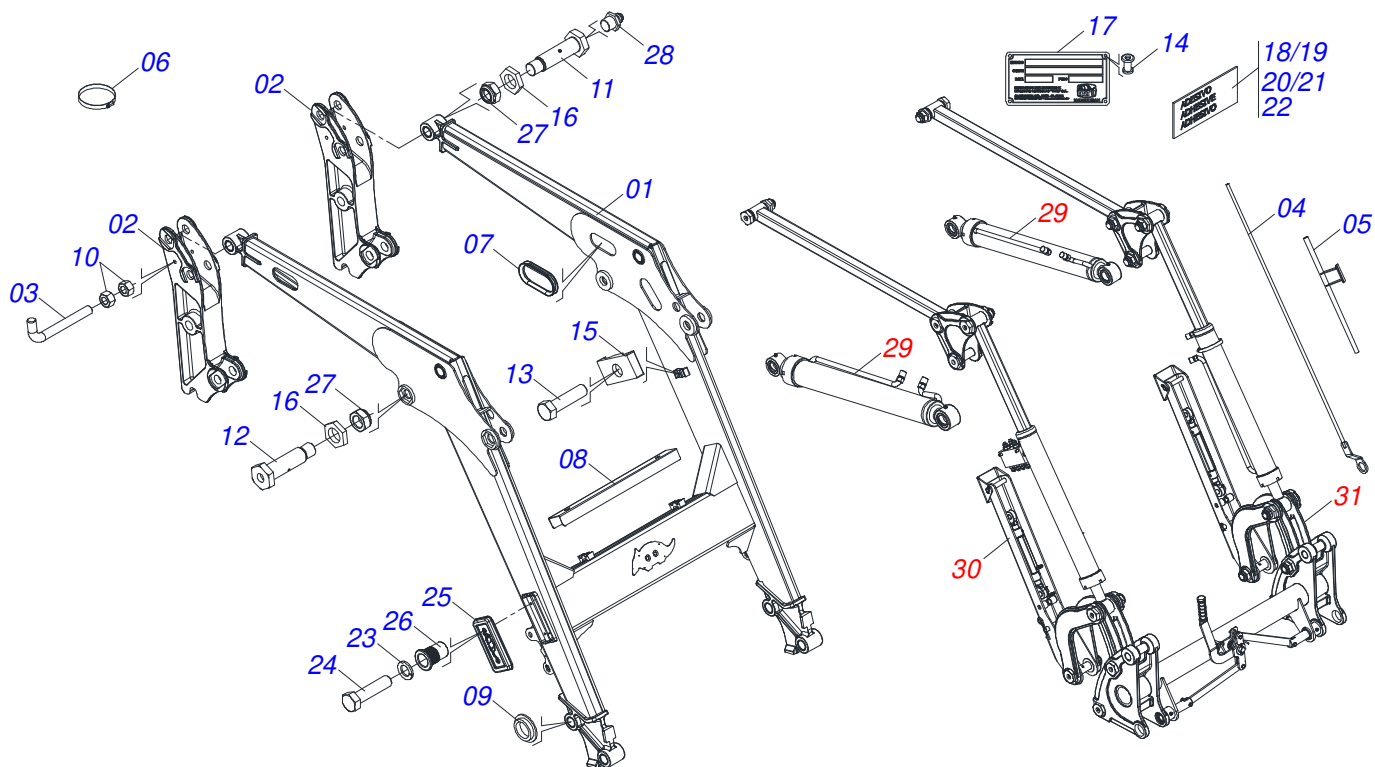
Item	Code	Description	See page	QT
01	0521067466	RIGHT FRAME		01
02	0521067465	LEFT FRAME		01
03	0571019093	REAR COUPLING BAR		02
04	0501010500	3/4"X3"BOLT		08
05	0503010023	3/4" SPRING WASHER		08
06	0503010014	3/4" NUT		08



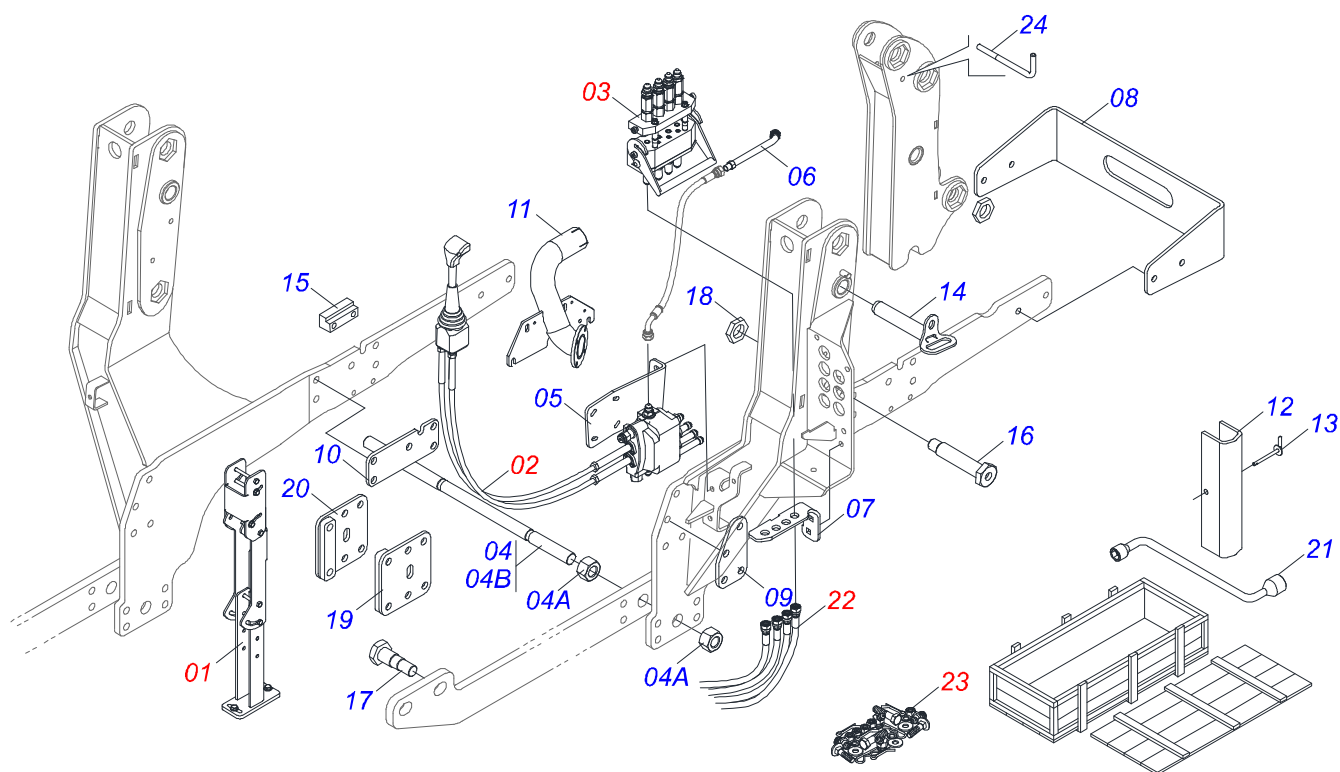
Item	Code	Description	See page	QT
01	0531060872	MOVING SUPPORT		01
02	0502012950	TOWER		02
03	0503035448	COVER		02
04	0581017751	HOSE PROTECTION		01
05	0503034364	HOSE PROTECTOR		02
06	0521068692	LEVEL ROD		01
07	0521067968	ROD GUIDE		01
08	0581010243	WASHER HEX		06
09	0503010143	1/4" SPRING WASHER		04
10	0591010982	WASHER SPACER		04
11	0503010044	1-1/4" SELF LOCKING NUT		08
12	0581013575	1.1/4 UNF X 85 BOLT		04
13	0503012555	SCREW 7/16 UNC X 2 CS RT G.7 ZN		03
14	0503011338	7/16" X 1" BOLT		02
15	0503010180	7/16" SPRING WASHER		05
16	0571018264	1.1/4" UNF X 149 ZN BOLT		04
17	0503010461	1/4" X 1" BOLT		04
18	0503010060	1/2" NUT		02
19	1902010477	UPPER CLAMP BODY		04
20	0503010002	1800 GREASE FITTING		12
21	0503019901	INTERNAL THREAD RIVET RM 1/4 P30S		04
22	0503010001	3.2 X 5.5 RIVET		04
23	0503011372	102 TO 121 CLAMP		01
24	0581010285	CONTROL LOCKING HOOK		01
25	0503031087	ADHESIVE LABEL		01
26	0503031428	READ MANUAL DECAL		01
27	0503031827	LUBRICATE AND RETIGHTEN DAILY DECAL		01
28	0503034003	SERIAL NUMBER TAG 61 X 118		01
29	0503034078	LIFTING POINTS DECAL		01
30	0503062658	SET LABEL ADHESIVE		01
31	0909096310	HYDRAULIC ASSEMBLY		01



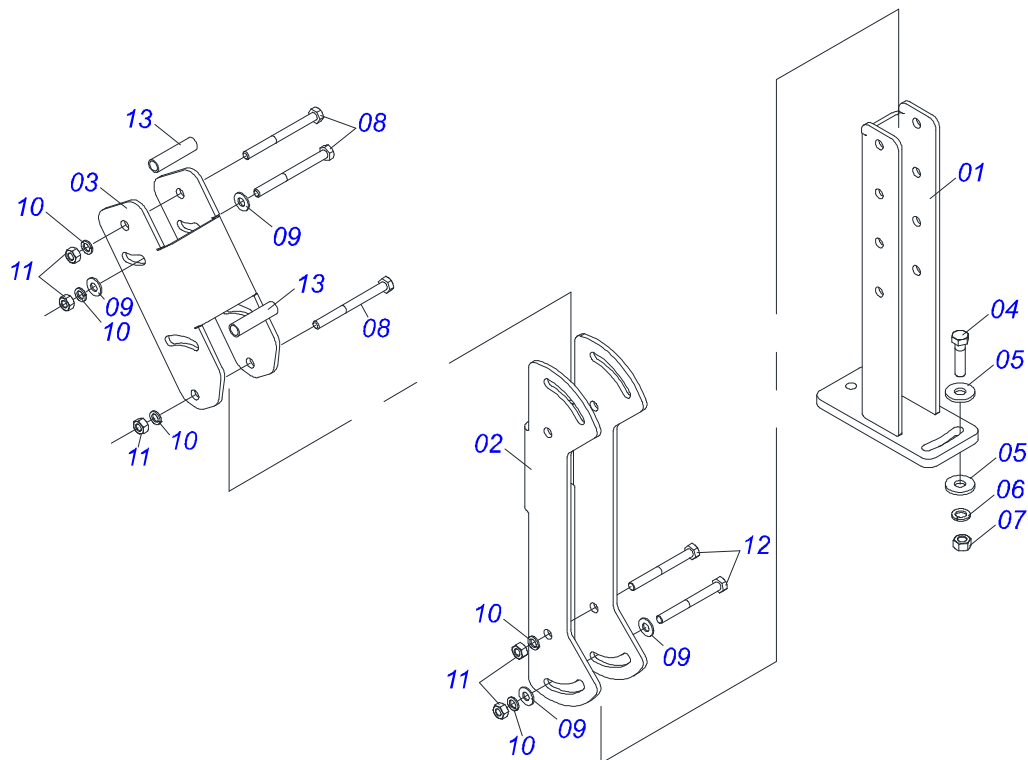
Item	Code	Description	See page	QT
32	0909096311	JACK ASSEMBLY		01
33	0909096312	ARTICULATION ASSEMBLY		01



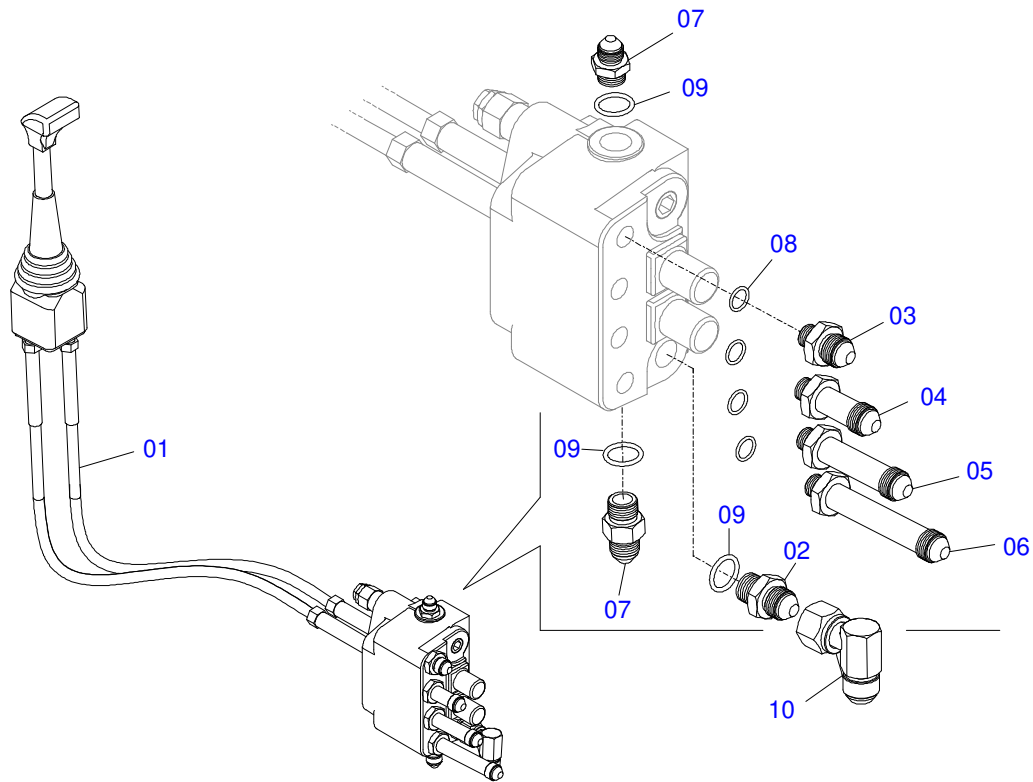
Item	Code	Description	See page	QT
01	0531060872	MOVING SUPPORT		01
02	0502012950	TOWER		02
03	0581010285	CONTROL LOCKING HOOK		01
04	0521068692	LEVEL ROD		01
05	0521067968	ROD GUIDE		01
06	0503011372	102 TO 121 CLAMP		01
07	0503034364	HOSE PROTECTOR		02
08	0581017751	HOSE PROTECTION		01
09	0591010982	WASHER SPACER		04
10	0503010060	1/2" NUT		02
11	0571018264	1.1/4" UNF X 149 ZN BOLT		06
12	0581013575	1.1/4 UNF X 85 BOLT		02
13	0503012555	SCREW 7/16 UNC X 2 CS RT G.7 ZN		03
14	0503010001	3.2 X 5.5 RIVET		04
15	1902010477	UPPER CLAMP BODY		04
16	0581010243	WASHER HEX		08
17	0503034003	SERIAL NUMBER TAG 61 X 118		01
18	0503031827	LUBRICATE AND RETIGHTEN DAILY DECAL		01
19	0503034078	LIFTING POINTS DECAL		01
20	0503031087	ADHESIVE LABEL		01
21	0503031428	READ MANUAL DECAL		01
22	0503062659	SET LABEL ADHESIVE		01
23	0503010143	1/4" SPRING WASHER		04
24	0503010461	1/4" X 1" BOLT		04
25	0503035448	COVER		02
26	0503019901	INTERNAL THREAD RIVET RM 1/4 P30S		04
27	0503010044	1-1/4" SELF LOCKING NUT		08
28	0503010002	1800 GREASE FITTING		18
29	0909096313	HYDRAULIC ASSEMBLY		01
30	0909096314	JACK ASSEMBLY		01
31	0909096315	ARTICULATION ASSEMBLY		01



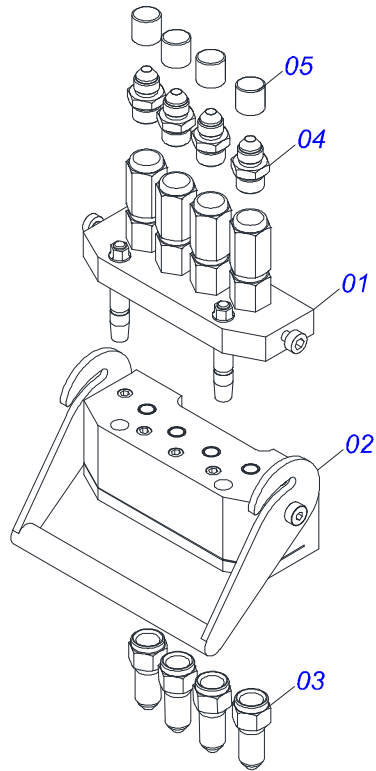
Item	Code	Description	See page	QT
01	0521045393	SET SUPPORT JOY STICK	6	01
02	0521046974	CONTROL 3/8" MONOBLOC WITH JOYSTICK - VTR	7	01
03	0521046975	MANIFOLD 2PS06-4-2	8	01
04	0501044434	1" NC X 700 ROD W/NUTS	13	01
04A	0501010087	1.1/4" NUT		04
04B	0501014753	1" NC X 700 ROD		01
05	0521067467	COMMAND SUPPORT		01
06	0521067471	PRESSURE ADAPTER		01
07	0521067472	MULTI CONNECTOR COUPLING BRACKET		01
08	0571017231	FRONT PROTECTOR		01
09	0581013406	CENTRAL OUTER SHIM		02
10	0571017227	CHASSIS SHIM		02
11	0521067469	EXHAUST ADAPTER		01
12	0531017238	LOCK TRANSPORT		02
13	0501068994	0.3" X 3.1" LOCK PIN		02
14	0521067468	MOBILE HOLDER COUPLING HUB		02
15	0581013402	BEATER		01
16	0581013410	1.1/4" UNF X 155 BOLT		02
17	0571019101	1.1/4 UNF X 110 BOLT		02
18	0581010243	WASHER HEX		02
19	0521067351	RIGHT FRAME LOCK		01
20	0521067359	LEFT FRAME LOCK		01
21	0501068213	5/8" WRENCH DOUBLE		01
22	0521050418	HOSE SET	9	01
23	0511032508	PACKED PARTS	10	01
24	0581010285	CONTROL LOCKING HOOK		01



Item	Code	Description	See page	QT
01	0521065789	LOWER JOYSTICK SUPPORT		01
02	0571018376	CENTRAL BODY SUPPLEMENT OF JOYSTICK		01
03	0571018375	SUPERIOR BODY SUPPLEMENT OF JOYSTICK		01
04	0503010849	3/8" X 1-1/2" BOLT		02
05	0501010984	FLAT WASHER		02
06	0503010025	3/8" SPRING WASHER		02
07	0503010026	3/8" NUT		02
08	0503010848	5/16" X 3.1/2" BOLT		04
09	0501010694	FLAT WASHER		06
10	0503010179	LOCK WASHER		06
11	0503010337	5/16" NUT		06
12	0503011053	5/16" X 3" C S 6.5 ZN BOLT		02
13	0541015551	0.39" X 0.512" X 1.9" SLEEVE		02

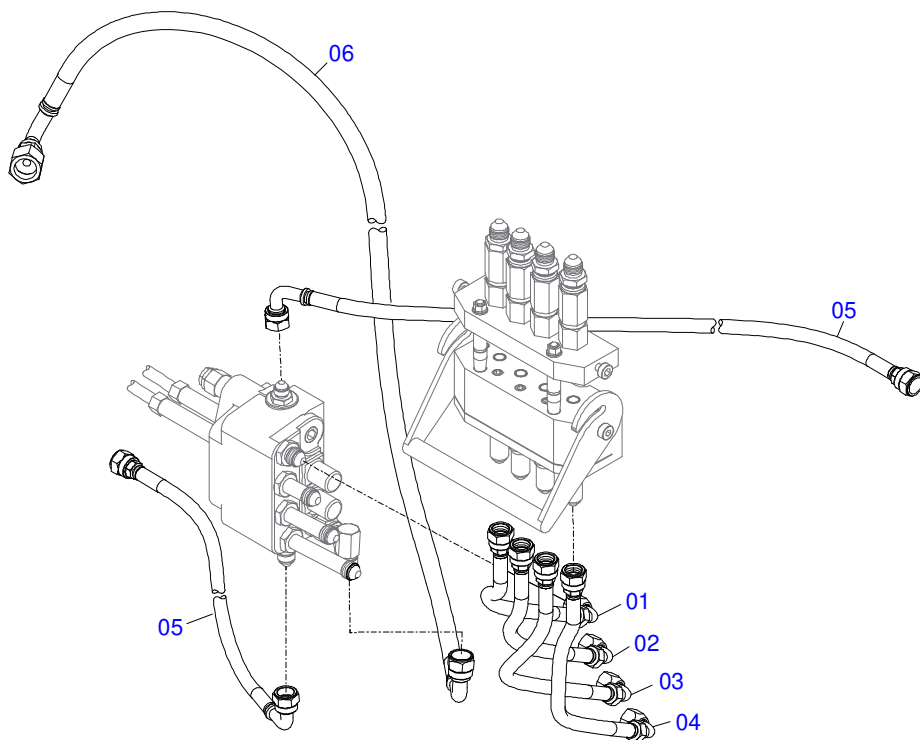


Item	Code	Description	See page	QT
01	0503062376	SDM102/2 MONOBLOC COMMAND WITH CABLE (WALVOIL 405910)		01
02	0501011460	7/8 NF REDUCTION NIPPLE		01
03	0501012109	3/4" X 9/16" NIPPLE FITTING		01
04	0581013581	NIPPLE FITTING 3/4UNF X 9/16UNF - 63MM		01
05	0581013580	3/4UNF X 9/16UNF - 88MM NIPPLE FITTING		01
06	0581013578	3/4 UNF X 9/16 UNF NIPPLE FITTING 113MM		01
07	0501010617	3/4" NIPPLE		02
08	0503011030	2-014 N 3006-9B O'RING		04
09	0503010045	O'RING		03
10	0503018033	37 X R.7/8 UNF 90° JIC MALE CONNECTOR WITH ROTATING NUT		01

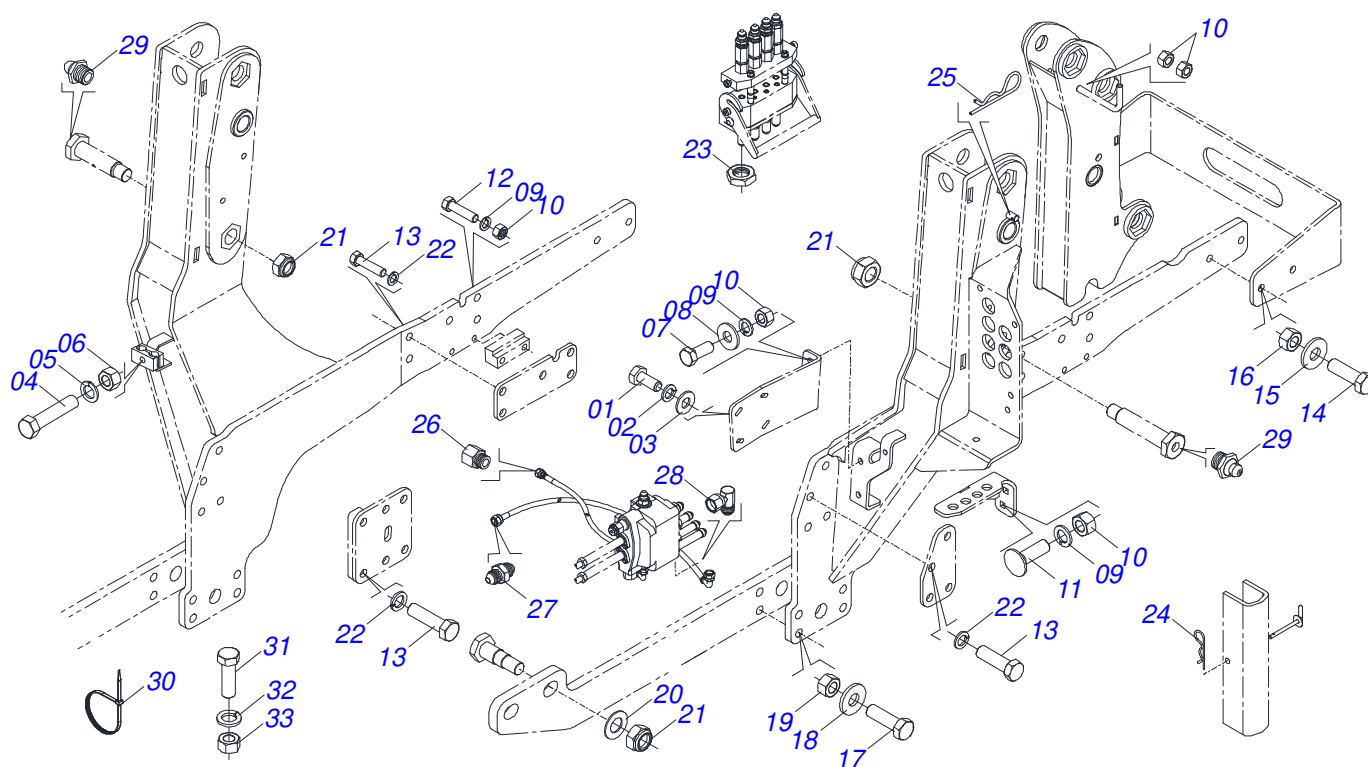


Item	Code	Description	See page	QT
01	0503062408	QUICK COUPLING STEEL CARBON MULTIFASTER 3PW06-4-12G M C		01
02	0503062409	QUICK COUPLING STEEL CARBON MULTIFASTER 2PW06-4-1/12SFC		01
03	0581013446	3/4UNF X 3/4UNF X 68 ADAPTER		04
04	0571012012	1/2" NIPPLE		04
05	0503030385	CYLINDER PLUG N-002		04

HOSE SET



Item	Code	Description	See page	QT
01	0501080375	3/8 X 600 TR-TC HOSE		01
02	0501080599	3/8 X 650 TR-TC HOSE		01
03	0501080413	3/8" X 27" TR-TC HOSE		01
04	0501080328	3/8" X 29" TR-TC HOSE		01
05	0501080302	TR-TC HOSE ASSY		02
06	0501080283	HOSE 1/2 X 2600 TC-TC		01



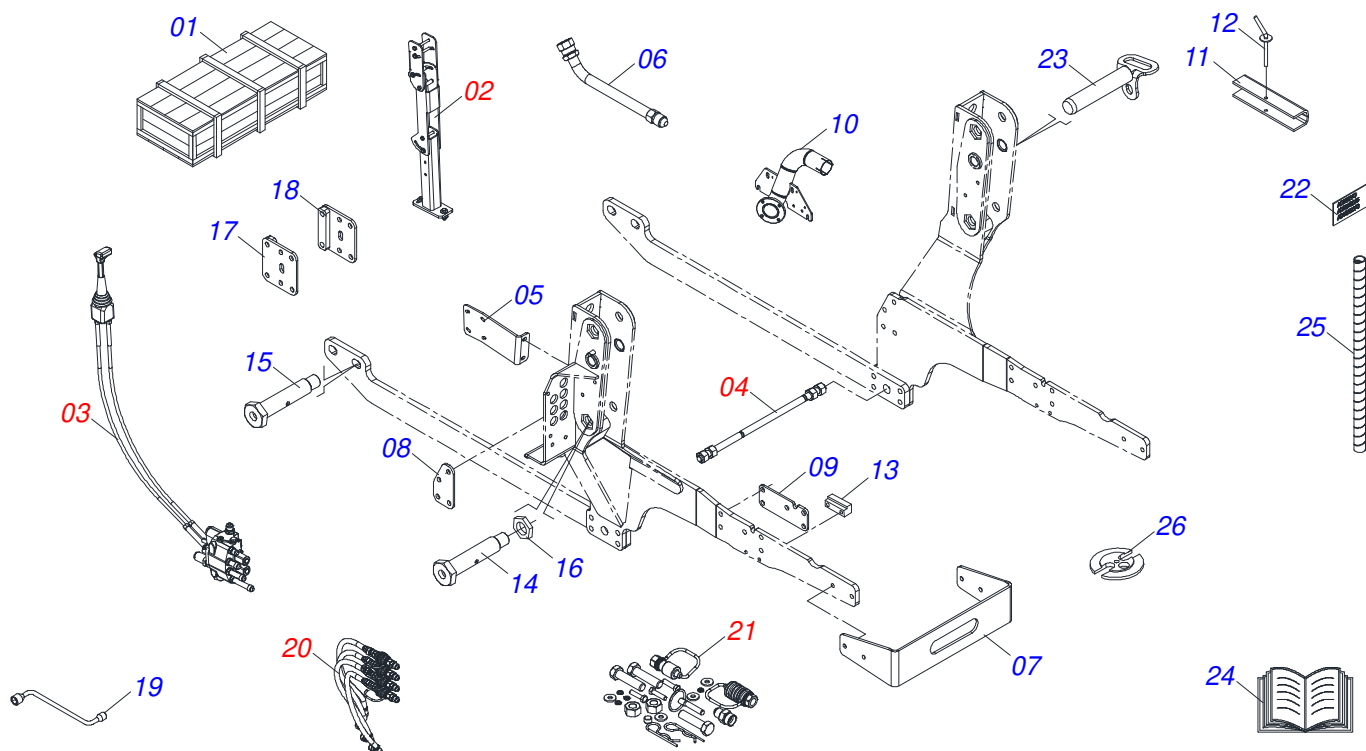
Item	Code	Description	See page	QT
01	0503016506	5/16 UNC X 3/4 C S G.5 ZN BOLT		04
02	0503010179	LOCK WASHER		04
03	0501010694	FLAT WASHER		04
04	0503011173	7/16" X 2" BOLT		01
05	0503010180	7/16" SPRING WASHER		01
06	0503010244	7/16" NUT		01
07	0503010395	1/2" X 1-1/4" BOLT		02
08	0511017302	FLAT WASHER		02
09	0503010019	1/2" SPRING WASHER		10
10	0503010060	1/2" NUT		10
11	0503014378	1/2" X 1-1/2" BOLT		04
12	0503010479	BOLT		04
13	0503011730	M16 X 2 X 60 BOLT		20
14	0501010100	SCREW 5/8 UNC X 2 CS G.5 ZN		04
15	0501012140	FLAT WASHER		04
16	0503010013	5/8" NUT		10
17	0501010500	3/4"X3"BOLT		08
18	0503010023	3/4" SPRING WASHER		08
19	0503010014	3/4" NUT		08
20	0521011132	FLAT WASHER		02
21	0503010044	1-1/4" SELF LOCKING NUT		04
22	0503010027	5/8" SPRING WASHER		20
23	0503033787	NUT 3/4 UNF		04
24	0503030168	HITCH PIN CLIP		02
25	0503030012	HITCH PIN CLIP		02
26	0571019584	7/8 UNF NIPLE		01
27	0571018714	3/4"X3/4"UNF NIPPLE UNION (HEXAGONAL 7/8"X50)		01
28	0503018033	37 X R.7/8 UNF 90° JIC MALE CONNECTOR WITH ROTATING NUT		01
29	0503010002	1800 GREASE FITTING		02
30	0503013527	CLAMP ZIPER		10



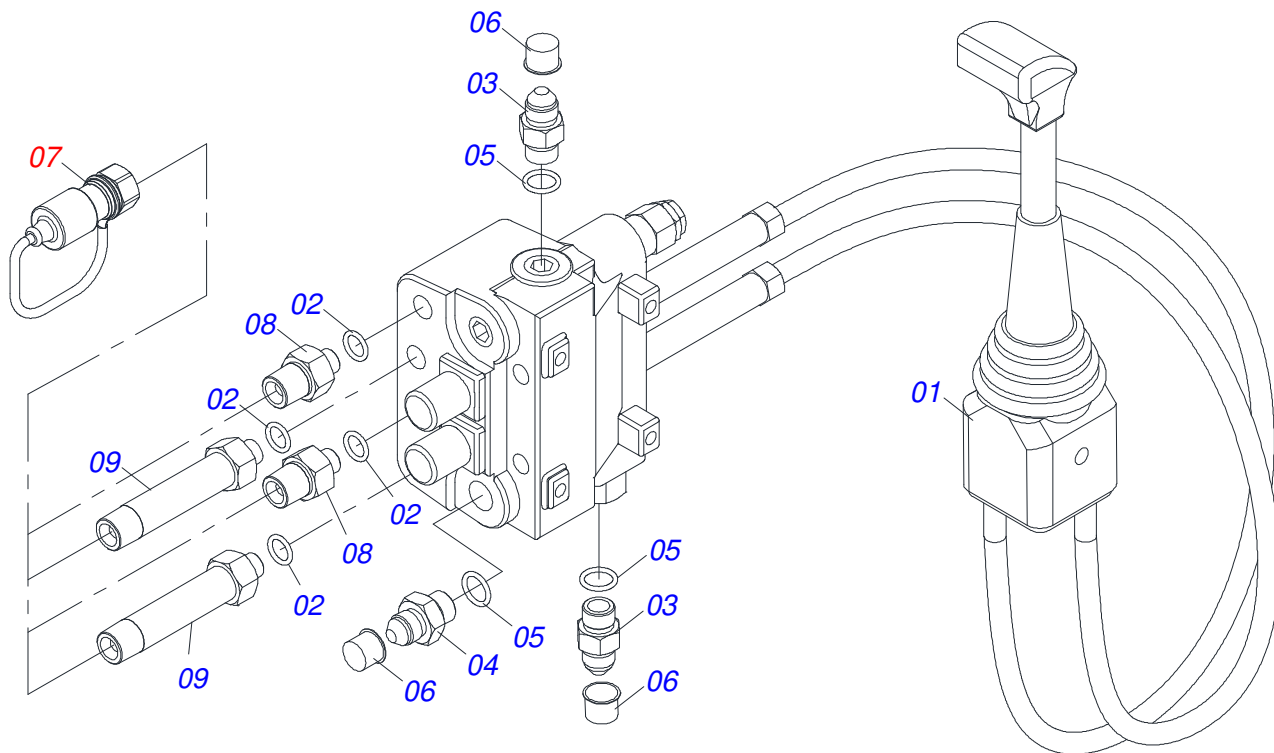
PACKED PARTS

0511032508

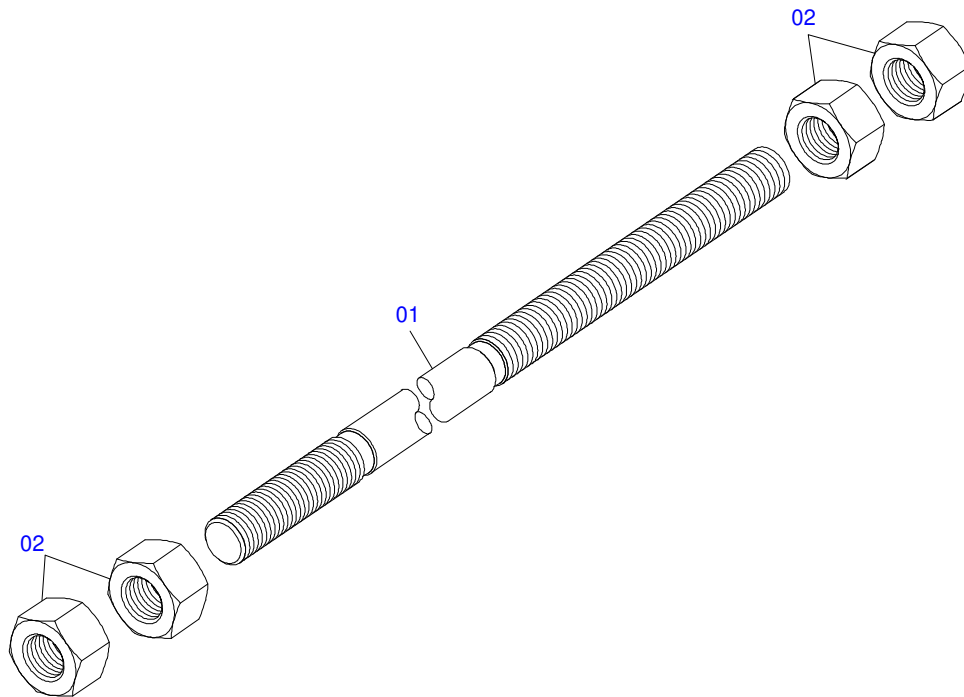
Item	Code	Description	See page	QT
31	0503017866	3/16" X 1,1/2" BOLT		01
32	0503010668	3/16" SPRING WASHER		01
33	0503010667	3/16" NUT		01



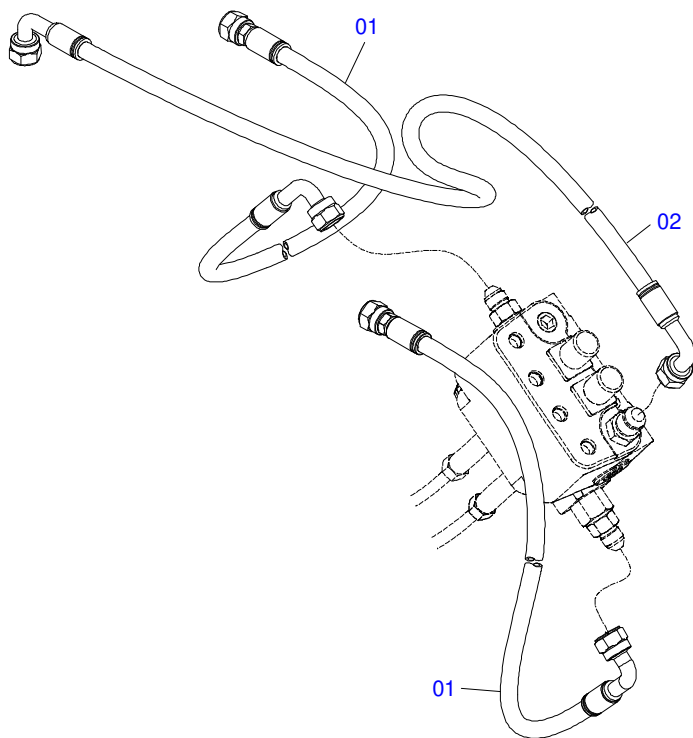
Item	Code	Description	See page	QT
01	0501100416	WOODEN BOX		01
02	0521045393	SET SUPPORT JOY STICK	6	01
03	0521045489	BLOCK COMMAND	12	01
04	0501044434	1" NC X 700 ROD W/NUTS	13	01
05	0581016825	FIXING SUPPORT		01
06	0521067471	PRESSURE ADAPTER		01
07	0571017231	FRONT PROTECTOR		01
08	0581013406	CENTRAL OUTER SHIM		02
09	0571017227	CHASSIS SHIM		02
10	0521067469	EXHAUST ADAPTER		01
11	0531017238	LOCK TRANSPORT		02
12	0501068994	0.3" X 3.1" LOCK PIN		02
13	0581013402	BEATER		02
14	0581013410	1.1/4" UNF X 155 BOLT		02
15	0571019101	1.1/4 UNF X 110 BOLT		02
16	0581010243	WASHER HEX		02
17	0521067351	RIGHT FRAME LOCK		01
18	0521067359	LEFT FRAME LOCK		01
19	0501068213	5/8" WRENCH DOUBLE		01
20	0511056981	HOSE KIT	14	01
21	0511032506	PACKED PARTS	15	01
22	0503034113	ADHESIVE LABEL		01
23	0521067468	MOBILE HOLDER COUPLING HUB		02
24	0511033668	BAG WITH INSTRUCTION MANUAL		01
25	0581010090	SPRING PROTECTION PLASTIC HOSE		02
26	0581013404	PUMP		02



Item	Code	Description	See page	QT
01	0503062412	COMPLETE JOYSTICK CONTROL		01
02	0503011108	2-112 O'RING		04
03	0501010617	3/4" NIPPLE		02
04	0501011460	7/8 NF REDUCTION NIPPLE		01
05	0503010190	2-114 N 3006-9B O'RING		03
06	0503030385	CYLINDER PLUG N-002		03
07	0501053834	MALE QUICK COUPLER	19	04
08	0571018717	ADAPTER		02
09	0571018716	ADAPTER		02

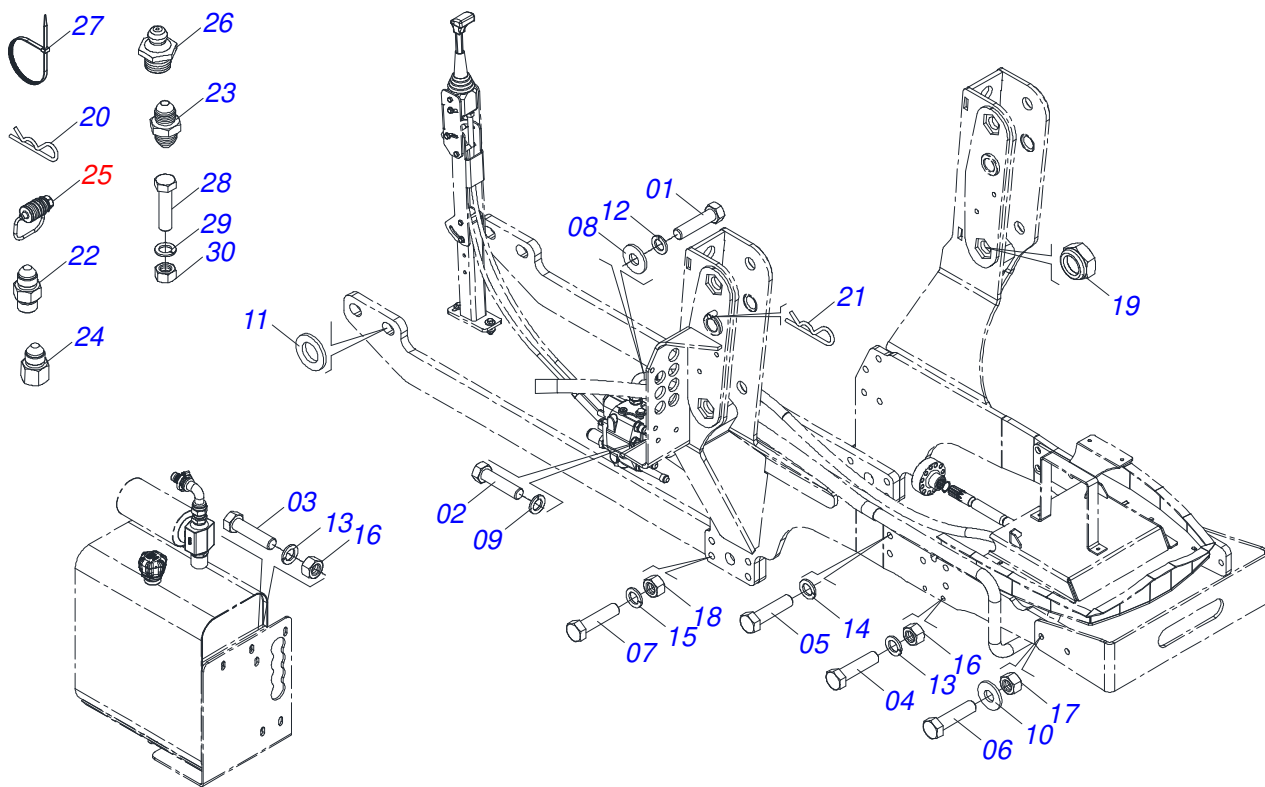


Item	Code	Description	See page	QT
01	0501014753	1" NC X 700 ROD		01
02	0501010087	1.1/4" NUT		04

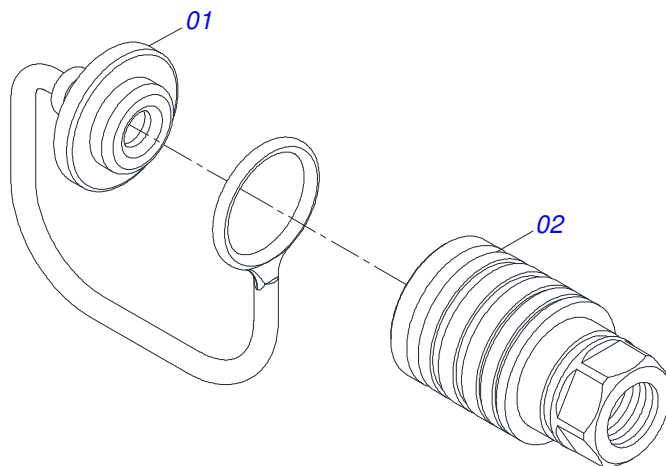


Item	Code	Description	See page	QT
01	0501080302	TR-TC HOSE ASSY		02
02	0501080283	HOSE 1/2 X 2600 TC-TC		01

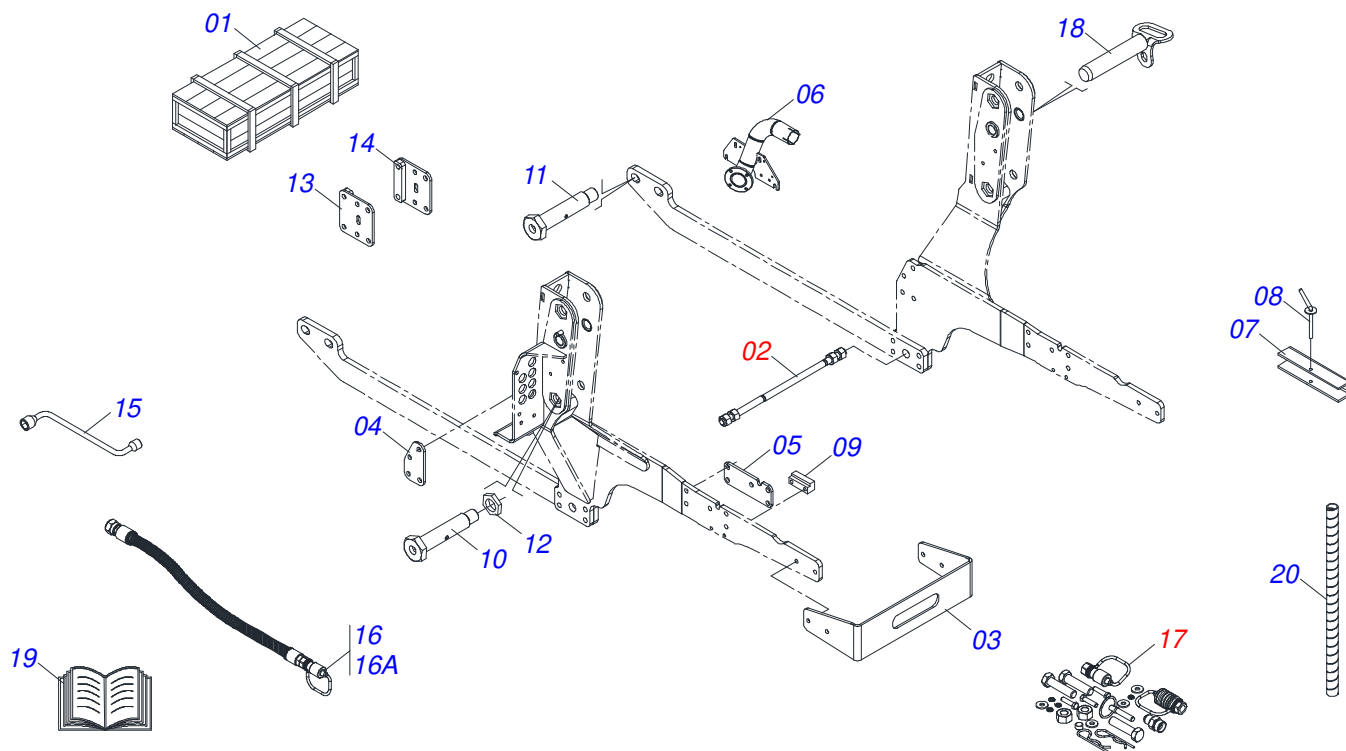
PACKED PARTS



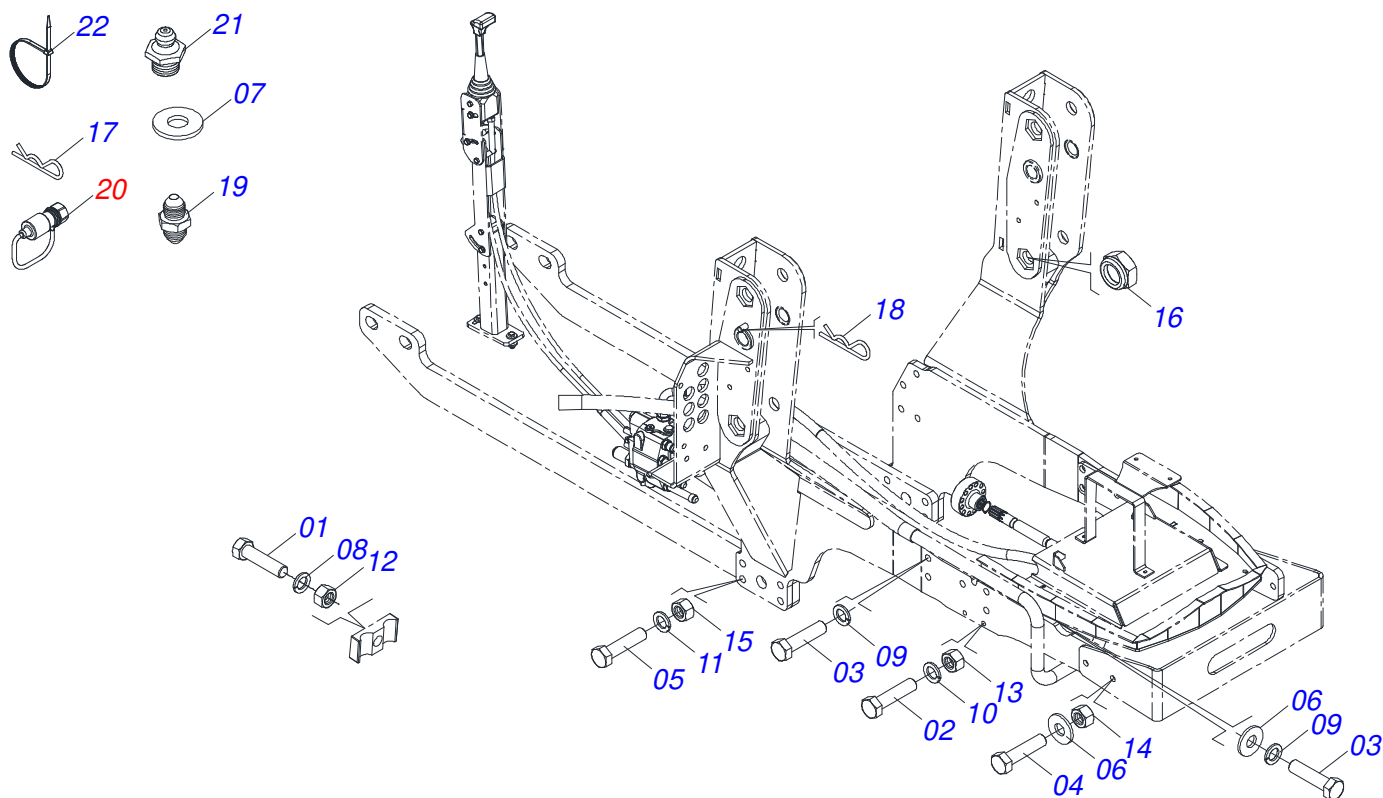
Item	Code	Description	See page	QT
01	0503016506	5/16 UNC X 3/4 C S G.5 ZN BOLT		04
02	0503010395	1/2" X 1-1/4" BOLT		02
03	0503014378	1/2" X 1-1/2" BOLT		02
04	0503010479	BOLT		04
05	0503011730	M16 X 2 X 60 BOLT		20
06	0501010100	SCREW 5/8 UNC X 2 CS G.5 ZN		04
07	0501010500	3/4"X3"BOLT		08
08	0501010694	FLAT WASHER		04
09	0511017302	FLAT WASHER		02
10	0501012140	FLAT WASHER		04
11	0521011132	FLAT WASHER		02
12	0503010179	LOCK WASHER		04
13	0503010019	1/2" SPRING WASHER		08
14	0503010027	5/8" SPRING WASHER		20
15	0503010023	3/4" SPRING WASHER		08
16	0503010060	1/2" NUT		08
17	0503010013	5/8" NUT		04
18	0503010014	3/4" NUT		08
19	0503010044	1-1/4" SELF LOCKING NUT		04
20	0503030168	HITCH PIN CLIP		02
21	0503030012	HITCH PIN CLIP		02
22	0571015342	3/4" NIPLE		04
23	0571018714	3/4"X3/4"UNF NIPPLE UNION (HEXAGONAL 7/8"X50)		01
24	0571019584	7/8 UNF NIPLE		01
25	0501053835	FEMALE QUICK COUPLER	16	04
26	0503010002	1800 GREASE FITTING		02
27	0503013527	CLAMP ZIPER		10
28	0503017866	3/16" X 1,1/2" BOLT		01
29	0503010668	3/16" SPRING WASHER		01
30	0503010667	3/16" NUT		01



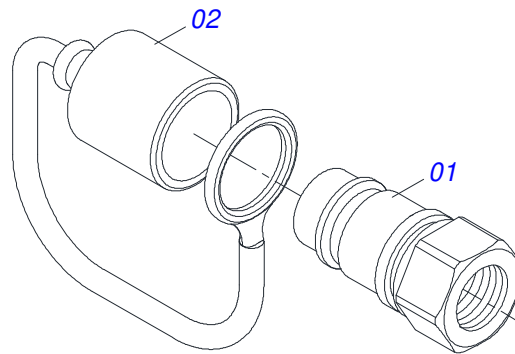
Item	Code	Description	See page	QT
01	0503011883	QUICK CONNECTION COVER		01
02	0503011628	FEMALE QUICK COUPLER		01



Item	Code	Description	See page	QT
01	0501100416	WOODEN BOX		01
02	0501044434	1" NC X 700 ROD W/NUTS	13	01
03	0571017231	FRONT PROTECTOR		01
04	0581013406	CENTRAL OUTER SHIM		02
05	0571017227	CHASSIS SHIM		02
06	0521067469	EXHAUST ADAPTER		01
07	0531017238	LOCK TRANSPORT		02
08	0501068994	0.3" X 3.1" LOCK PIN		02
09	0581013402	BEATER		02
10	0581013410	1.1/4" UNF X 155 BOLT		02
11	0571019101	1.1/4 UNF X 110 BOLT		02
12	0581010243	WASHER HEX		02
13	0521067351	RIGHT FRAME LOCK		01
14	0521067359	LEFT FRAME LOCK		01
15	0501068213	5/8" WRENCH DOUBLE		01
16	0521050403	HOSE SET		01
16A	0501080384	TR-TM HOSE ASSY		04
17	0511032505	PACKED PARTS	18	01
18	0521067468	MOBILE HOLDER COUPLING HUB		02
19	0511033668	BAG WITH INSTRUCTION MANUAL		01
20	0581010090	SPRING PROTECTION PLASTIC HOSE		02



Item	Code	Description	See page	QT
01	0503011173	7/16" X 2" BOLT		01
02	0503010479	BOLT		04
03	0503011730	M16 X 2 X 60 BOLT		20
04	0501010100	SCREW 5/8 UNC X 2 CS G.5 ZN		04
05	0501010500	3/4"X3"BOLT		08
06	0501012140	FLAT WASHER		04
07	0521011132	FLAT WASHER		02
08	0503010180	7/16" SPRING WASHER		01
09	0503010027	5/8" SPRING WASHER		20
10	0503010019	1/2" SPRING WASHER		04
11	0503010023	3/4" SPRING WASHER		08
12	0503010244	7/16" NUT		01
13	0503010060	1/2" NUT		04
14	0503010013	5/8" NUT		04
15	0503010014	3/4" NUT		08
16	0503010044	1-1/4" SELF LOCKING NUT		04
17	0503030168	HITCH PIN CLIP		02
18	0503030012	HITCH PIN CLIP		02
19	0571018714	3/4"X3/4"UNF NIPPLE UNION (HEXAGONAL 7/8"X50)		04
20	0501053834	MALE QUICK COUPLER	19	04
21	0503010002	1800 GREASE FITTING		02
22	0503013527	CLAMP ZIPER		10



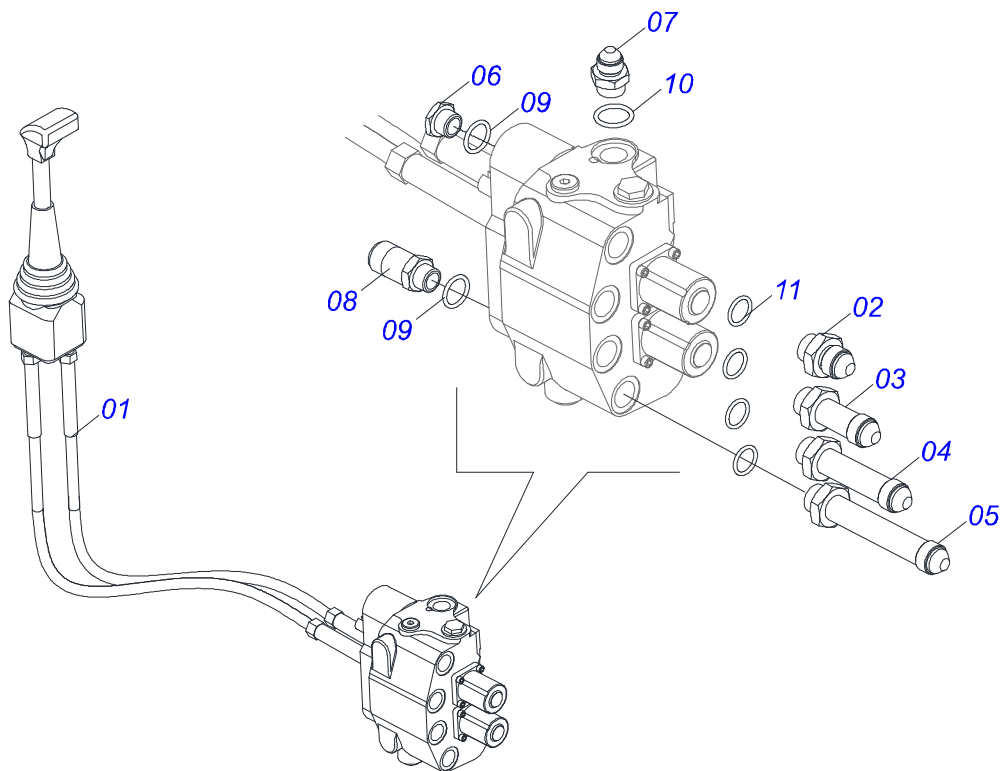
Item	Code	Description	See page	QT
01	0503011627	MALE QUICK COUPLER AGR 1/2 NPT		01
02	0503011882	MALE QUICK COUPLER CAP		01



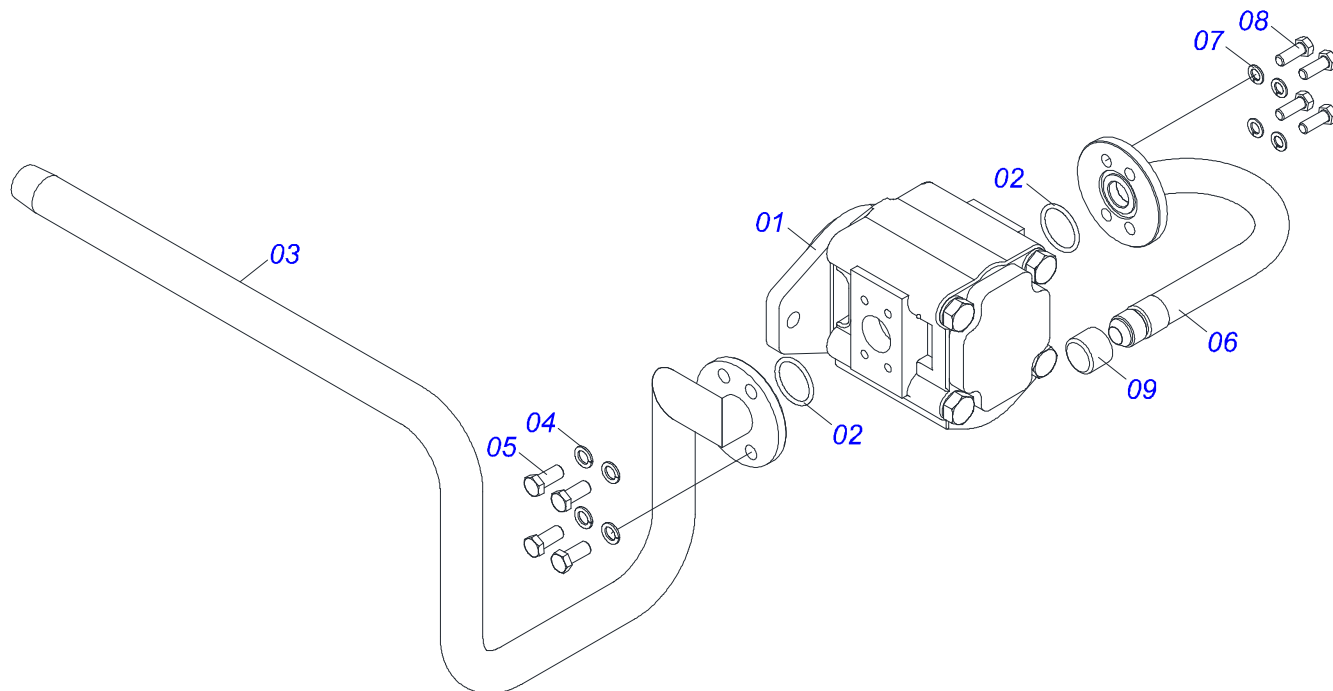
BOX WITH COMPONENTS

0521022973

Item	Code	Description	See page	QT
27	0521067470	TANK OUTLET TUBE		01
28	0521046987	FULL OIL RESERVOIR	23	01
29	0581013402	BEATER		02
30	0521050247	R.7/8 LARGER RETURN FILTER	24	01
31	0571017962	FILTER HOLDER		01
32	0502010477	HOSE CLAMP		02
33	0501068213	5/8" WRENCH DOUBLE		01
34	0511010153	2-5/16" FIXED WRENCH		01
35	0521050422	HOSE SET		01
35A	0501080113	1/2 X600 HOSE TR-TC		01
35B	0501081235	1/2 X 650 TR- TC HOSE		01
35C	0501080218	1/2 X 750 HOSE		02
35D	0501014090	1 X 1450 AB-AB HOSE		01
35E	0501013456	1.1/4 X 1600 AB-AB HOSE		01
35F	0501080892	3/4 X 2500 TC-TC HOSE		01
36	0511032510	PACKED PARTS	25	01
37	0503034113	ADHESIVE LABEL		01
38	0521067468	MOBILE HOLDER COUPLING HUB		02
39	0511033668	BAG WITH INSTRUCTION MANUAL		01
40	0581010090	SPRING PROTECTION PLASTIC HOSE		02
41	0581013404	PUMP		02

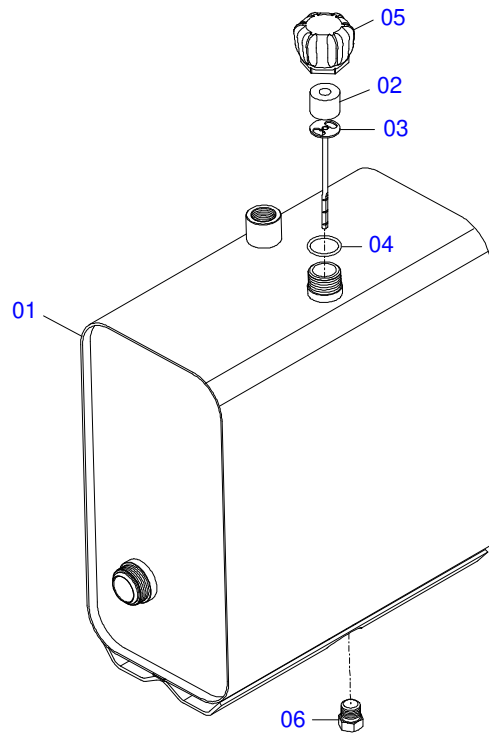


Item	Code	Description	See page	QT
01	0503062624	COMPLETE JOYSTICK CONTROL SDM122/2		01
02	0501010590	NIPPLE		01
03	0581013293	7/8 NF NIPPLE FITTING		01
04	0581013292	R.7/8 NF NIPPLE FITTING		01
05	0581013291	R.7/8 NF NIPPLE FITTING		01
06	0501015335	1.1/16" UN X 22 PLUG		01
07	0581013289	R.1.1/16 UN X 1/2 BSP X 52 VTR A750/85/950		01
08	0581013290	R.1.5/16 X R.1.1/16 X 90 SEXT 1.1/2 NIPLE VTR A750		01
09	0503011109	2-119 N 3006-9B O'RING		02
10	0503010045	O'RING		01
11	0503010190	2-114 N 3006-9B O'RING		04

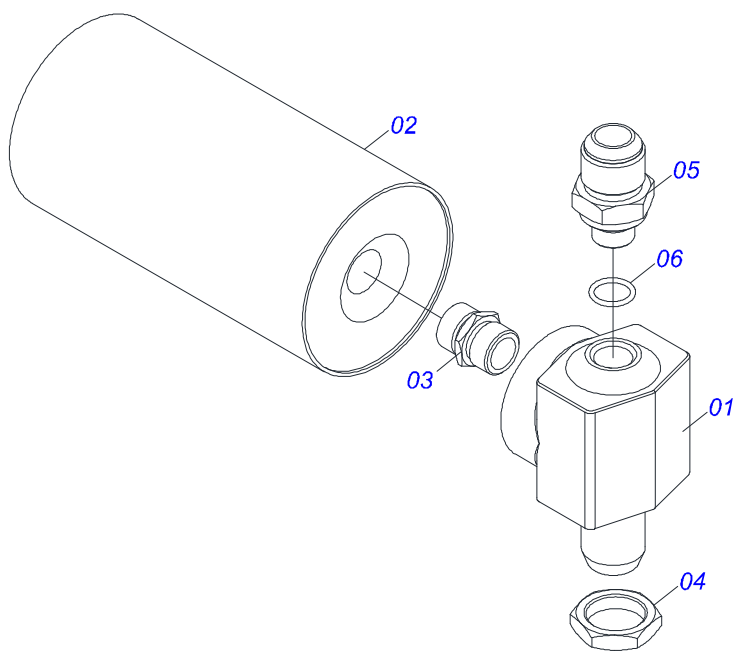


Item	Code	Description	See page	QT
01	0503060153	40L 1/2" PUMP		01
02	0503010173	2-220 N 3006-9B O'RING		02
03	0521065608	SUCTION DUCT PCA VTR A750/A950		01
04	0503010180	7/16" SPRING WASHER		04
05	0503010355	7/16" X 1" BOLT		04
06	0521065615	PUMP PRESSURE LINE		01
07	0503010025	3/8" SPRING WASHER		04
08	0503011087	3/8" X 1" BOLT		04
09	0503030388	PLUG N-005		01

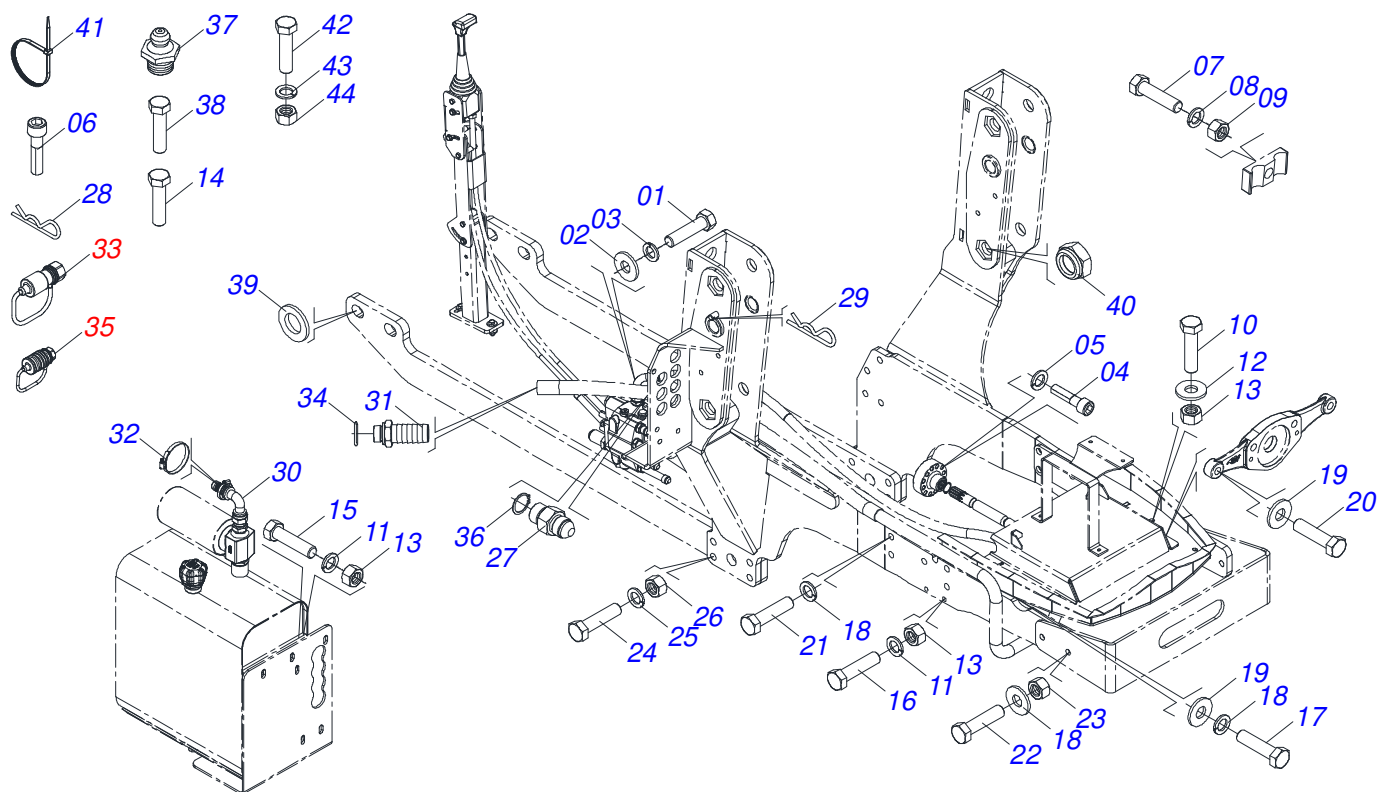
FULL OIL RESERVOIR



Item	Code	Description	See page	QT
01	0501068880	OIL RESERVOIR		01
02	0503030044	FILTERING ELEMENT		01
03	0501060975	OIL GAGE		01
04	0503010185	2-221 N 3006-9B O'RING		01
05	0502020472	FRONTAL COVER		01
06	0503031604	1/2" BSP PLUG		01



Item	Code	Description	See page	QT
01	0581013367	RETURN FILTER HEAD R.7/8		01
02	0503010183	RETURNING FILTER		01
03	0501010595	1" NF NIPPLE FITTING		01
04	0501010594	1" NUT		01
05	0581013366	R.1.5/16 X R.7/8 X 64 SEXT 1.1/2 NIPPLE FITTING		01
06	0503010045	O'RING		01



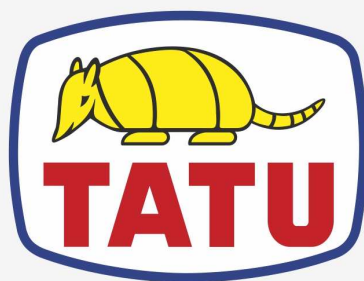
Item	Code	Description	See page	QT
01	0503016506	5/16 UNC X 3/4 C S G.5 ZN BOLT	08	
02	0501010694	FLAT WASHER	08	
03	0503010179	LOCK WASHER	08	
04	0503011313	M 8 X 1,25 X 50 BOLT	06	
05	0503010025	3/8" SPRING WASHER	06	
06	0503010728	M10 X 1.2" BOLT	02	
07	0503011173	7/16" X 2" BOLT	01	
08	0503010180	7/16" SPRING WASHER	01	
09	0503010244	7/16" NUT	01	
10	0501010161	1/2" X 1.1/4" BOLT	03	
11	0503010019	1/2" SPRING WASHER	17	
12	0511017302	FLAT WASHER	07	
13	0503010060	1/2" NUT	12	
14	0503010395	1/2" X 1-1/4" BOLT	02	
15	0503014734	BOLT	05	
16	0503010479	BOLT	04	
17	0503010148	M16 X 2 X 40 BOLT	02	
18	0503010027	5/8" SPRING WASHER	24	
19	0501012140	FLAT WASHER	06	
20	0503011188	M16 X 2 X 50 BOLT	02	
21	0503011730	M16 X 2 X 60 BOLT	20	
22	0501010100	SCREW 5/8 UNC X 2 CS G.5 ZN	04	
23	0503010013	5/8" NUT	04	
24	0501010500	3/4"X3"BOLT	08	
25	0503010023	3/4" SPRING WASHER	08	
26	0503010014	3/4" NUT	08	
27	0511014065	7/8" NF X R1/2NPT X 52 NIPPLE	08	
28	0503030168	HITCH PIN CLIP	02	
29	0503030012	HITCH PIN CLIP	02	
30	0503018722	JIC CURVE TERMINAL FOR HOSE 1"	02	
31	0581013403	R.1.1/6 UNC HOSE NOZZLE FOR 1.1/4 HOSE	01	



PACKED PARTS

0511032510

Item	Code	Description	See page	QT
32	0503010243	CLAMP		04
33	0501053834	MALE QUICK COUPLER	19	04
34	0503011109	2-119 N 3006-9B O'RING		01
35	0501053835	FEMALE QUICK COUPLER	16	04
36	0503010217	501040 CLAMPING RING (FOR AXLE)		08
37	0503010002	1800 GREASE FITTING		02
38	0501010155	1/2" X 1" BOLT		04
39	0521011132	FLAT WASHER		02
40	0503010044	1-1/4" SELF LOCKING NUT		04
41	0503013527	CLAMP ZIPER		10
42	0503017866	3/16" X 1,1/2" BOLT		01
43	0503010668	3/16" SPRING WASHER		01
44	0503010667	3/16" NUT		01



MARCHESAN

Technical Publications | Elaboration and Revision

LORENA ROCHA ALVES

www.marchesan.com.br

