

**PD - FRONT LOADER**

## **PD CASE FARMALL - S/A**

**Code:** 0501093327  
**Series:** S-0117  
**Revision:** 00  
**Date Revision:** JUNHO/2022

# **PARTS CATALOGUE**



**MARCHESAN**



# PRODUCTS

Code	Description
0106140003	PD CASE F 80/90/100 BT CDC JS ESP S-0117
0106140002	PD CASE F 80/90/100 BT SC ESP S-0117

## ATTENTION: IMPORTANT

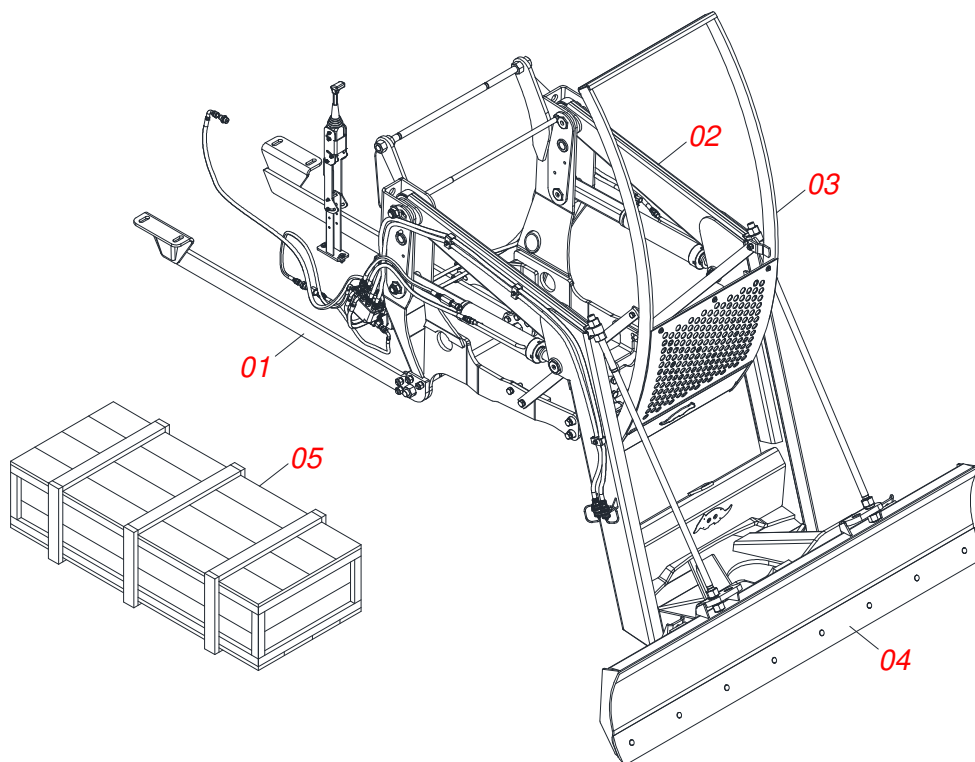
Marchesan S.A. reserves the right to improve and/or modify the technical features of its products, without obligation to do the same with those products already sold and without prior knowledge of the dealer or the consumer. The photos are only illustrative.



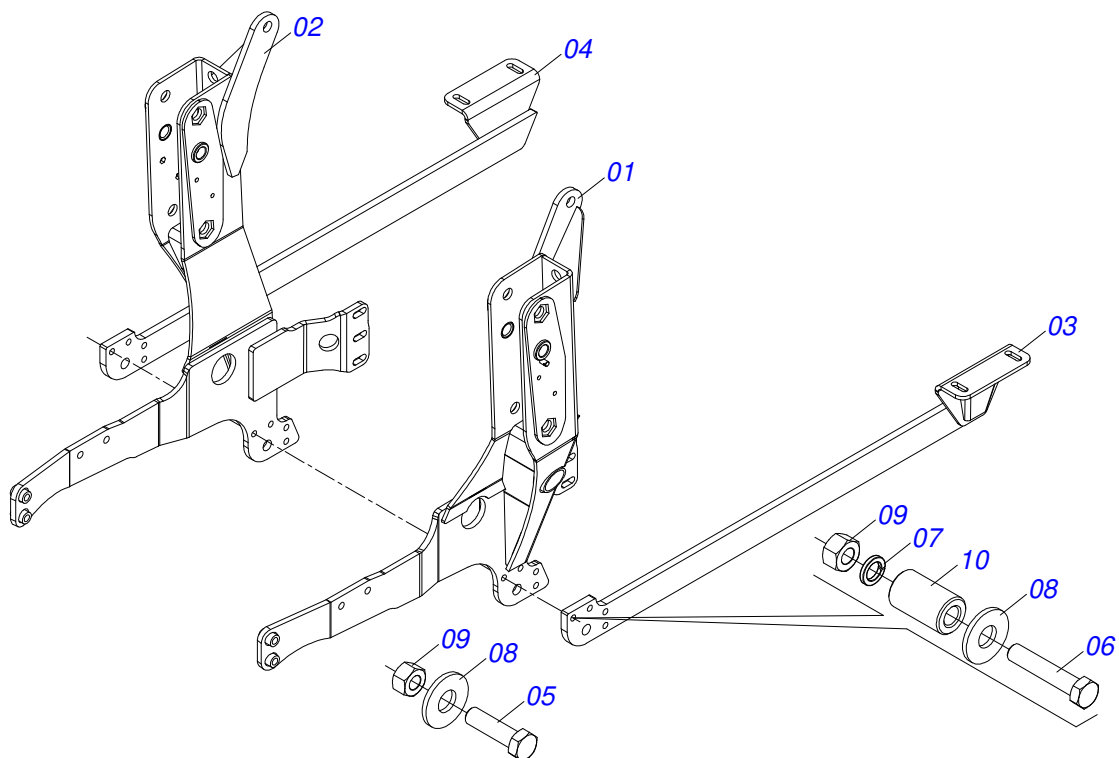
**MARCHESAN**

# INDEX

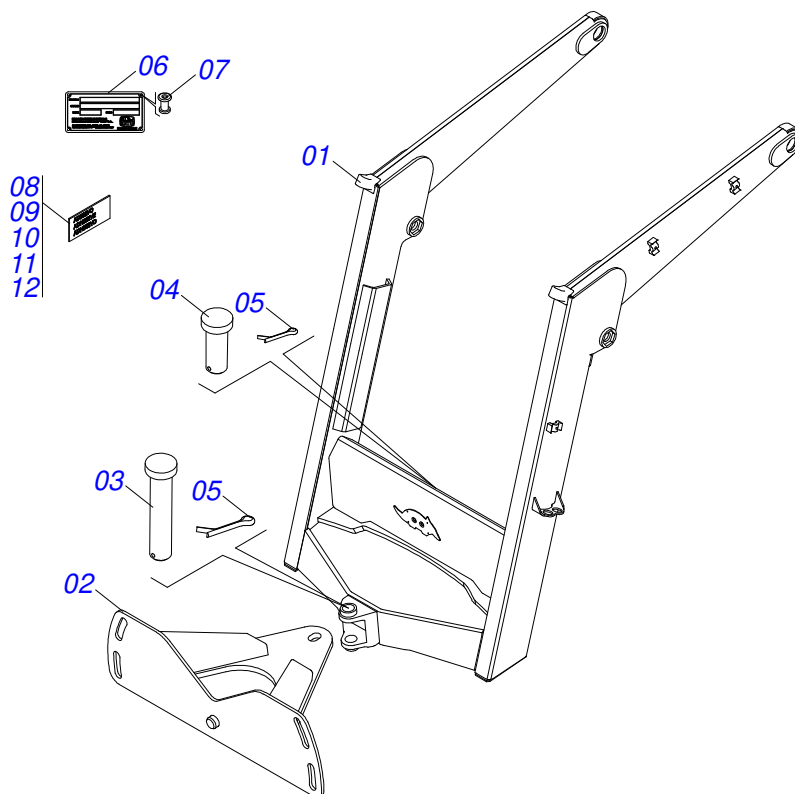
0909096372	ASSY FRAME	.....	1
0521047196	FRAME ASSEMBLY WITH REAR BAR	.....	2
0521046960	ASSY MOVEL SUPPORT	.....	3
0501048330	MOBILE SUPPORT GUIDE ASSY	.....	4
0511047750	2400 SCRAPER ASSY WITH STABILIZER BRACKET	.....	5
0501047708	2400 BLADE SUPPORT	.....	6
0521023218	BOX WITH COMPONENTS	.....	7
0521045393	SET SUPPORT JOY STICK	.....	8
0521047176	COMMAND	.....	9
0501041427	1.1/4" NC X 1540 ASSY ROD	.....	10
0511043351	1.1/4" X 40" ROD	.....	11
0501042819	1.1/4"NC X 33.46" ROD ASSY	.....	12
0909096370	HYDRAULIC CIRCUIT	.....	13
0521050158	44,45 X 85,72 X 1049 X 360 - LEFT HYDRAULIC CYLINDER	.....	14
0521050157	44,45 X 85,72 X 1049 X 360 - RIGHT HYDRAULIC CYLINDER	.....	15
0511057771	R.7/8UNF - SAFETY VALVE	.....	16
0511032666	PACKED PARTS	.....	17
0501053835	FEMALE QUICK COUPLER	.....	18
0521023217	BOX WITH COMPONENTS	.....	19
0511032665	PACKED PARTS	.....	20
0501053834	MALE QUICK COUPLER	.....	21
0909095816	HYDRAULIC CIRCUIT	.....	22



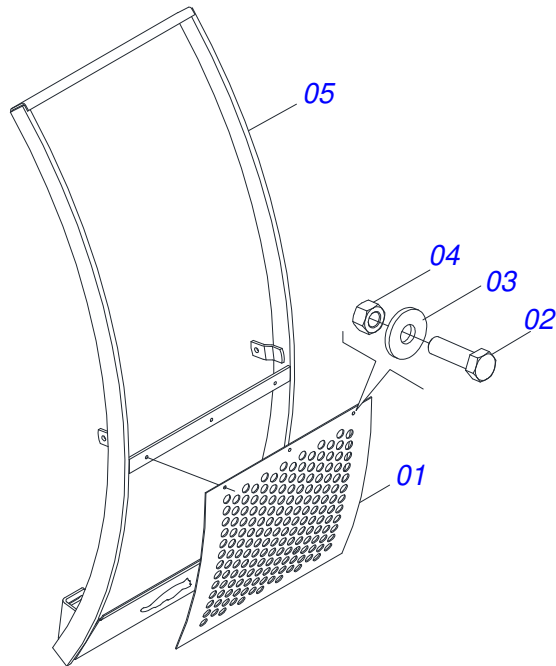
Item	Code	Description	See page	QT
01	0521047196	FRAME ASSEMBLY WITH REAR BAR	2	01
02	0521046960	ASSY MOVEL SUPPORT	3	01
03	0501048330	MOBILE SUPPORT GUIDE ASSY	4	01
04	0511047750	2400 SCRAPER ASSY WITH STABILIZER BRACKET	5	01
05	0521023218	BOX WITH COMPONENTS	7	01
05.	0521023217	BOX WITH COMPONENTS	19	01



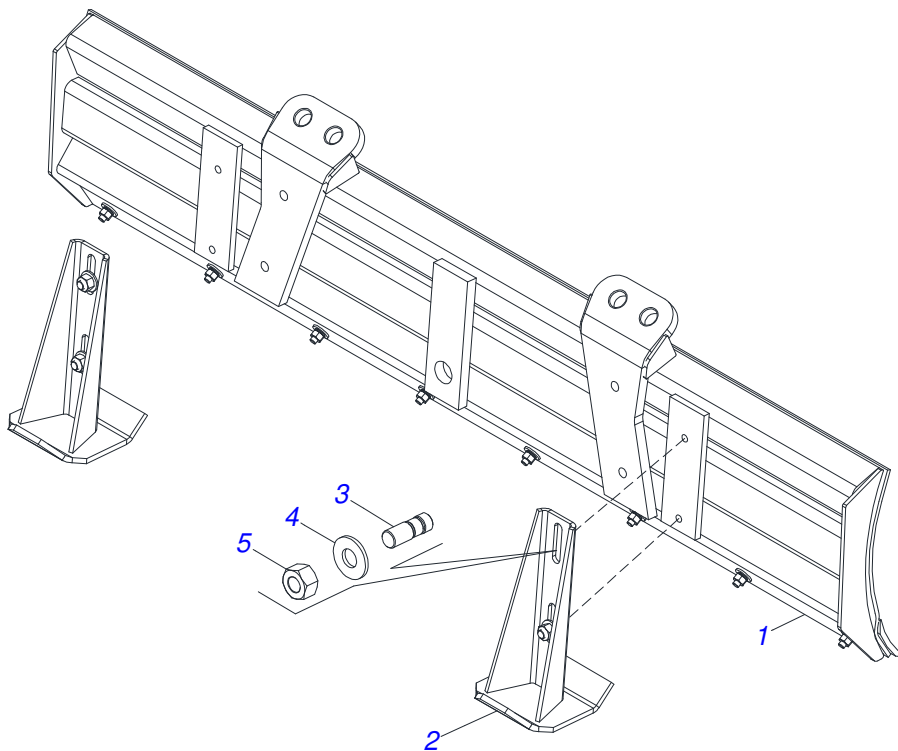
Item	Code	Description	See page	QT
01	0521067720	LEFT FRAME		01
02	0521067719	RIGHT FRAME		01
03	0521064940	LEFT REAR BAR FRAME		01
04	0521064941	REAR BAR RIGHT FRAME		01
05	0501010500	3/4"X3"BOLT		02
06	0503011084	3/4" X 5" BOLT		04
07	0503010023	3/4" SPRING WASHER		04
08	0501010104	45 X 20 X 4 FLAT WASHER		06
09	0503010014	3/4" NUT		06
10	0581015170	SLEEVE		04



Item	Code	Description	See page	QT
01	0521067528	MOBILE SUPPORT		01
02	0501063368	REGULATOR SUPPORT		01
03	0521010618	1.4" X 8.6" COUPLING SHAFT		01
04	0521010612	1.4" X 3.5" COUPLING SHAFT		01
05	0503010010	1/4" X 2.1/2" COTTERPIN		02
06	0503034003	SERIAL NUMBER TAG 61 X 118		01
07	0503010001	3.2 X 5.5 RIVET		04
08	0503031428	READ MANUAL DECAL		01
09	0503031827	LUBRICATE AND RETIGHTEN DAILY DECAL		01
10	0503062270	SET LABEL ADHESIVE		01
11	0503034078	LIFTING POINTS DECAL		03
12	0503031087	ADHESIVE LABEL		01

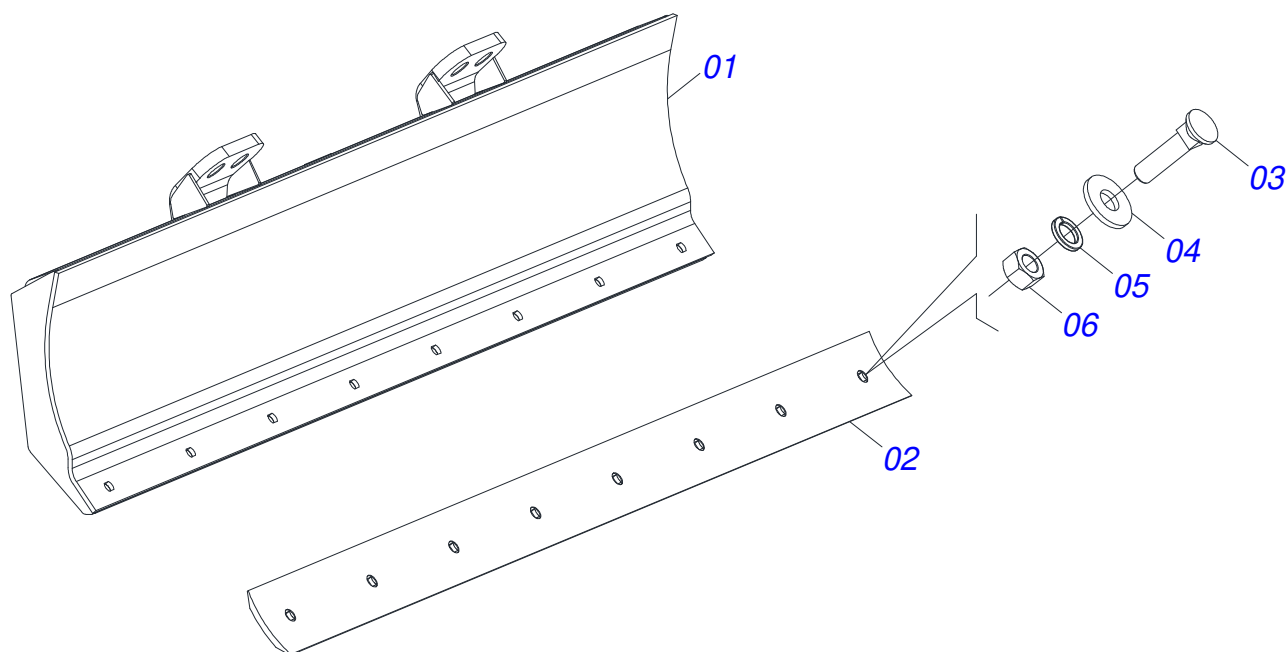


Item	Code	Description	See page	QT
01	0501014686	FRONT PROTECTION		01
02	0503010751	C3/8" X 1.1/4" HEX BOLT G.5		03
03	0501010984	FLAT WASHER		03
04	0503010026	3/8" NUT		03
05	0511061998	MOBILE SUPPORT GUIDE		01

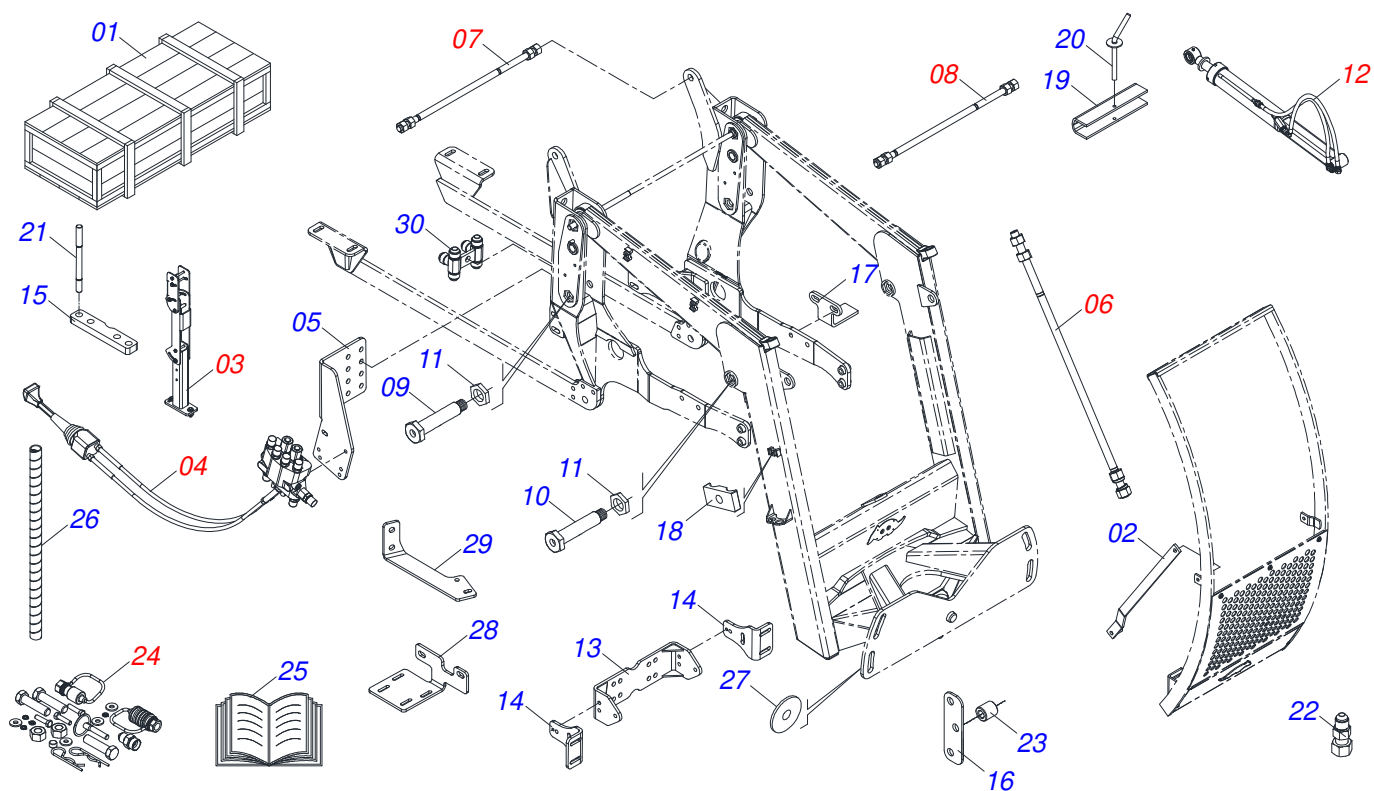


Item	Code	Description	See page	QT
01	0501047708	2400 BLADE SUPPORT	6	01
02	0501063411	ESTABILIZER BRACKET		02
03	0561016756	3/4 UNC X 3/4 UNC X 56 PRISONER		04
04	0501010322	FLAT WASHER		04
05	0503010014	3/4" NUT		04

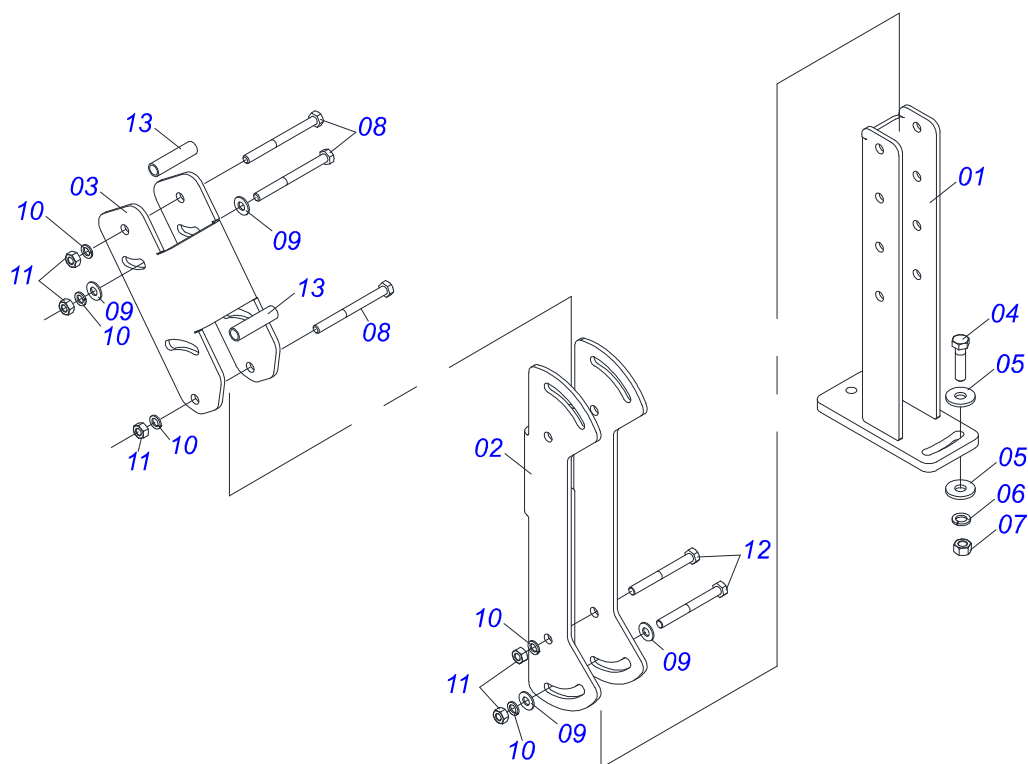




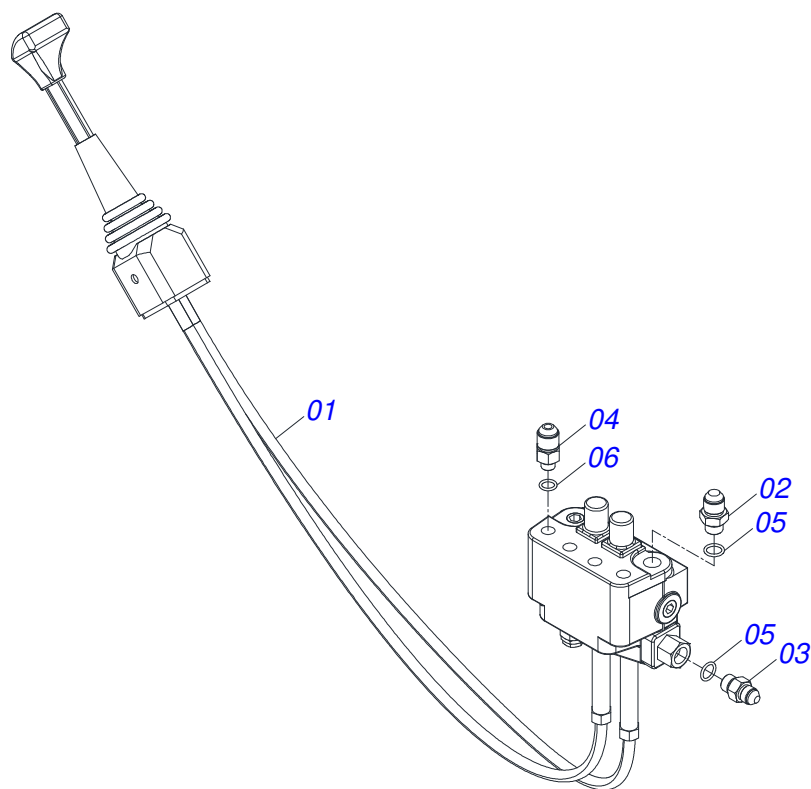
Item	Code	Description	See page	QT
01	0501067999	2390 BLADE SUPPORT		01
02	0622360016	94.5" SCRAPER REVERSIBLE		01
03	0501012240	BOLT		08
04	0501012140	FLAT WASHER		08
05	0503011445	SPRING WASHER		08
06	0503010013	5/8" NUT		08



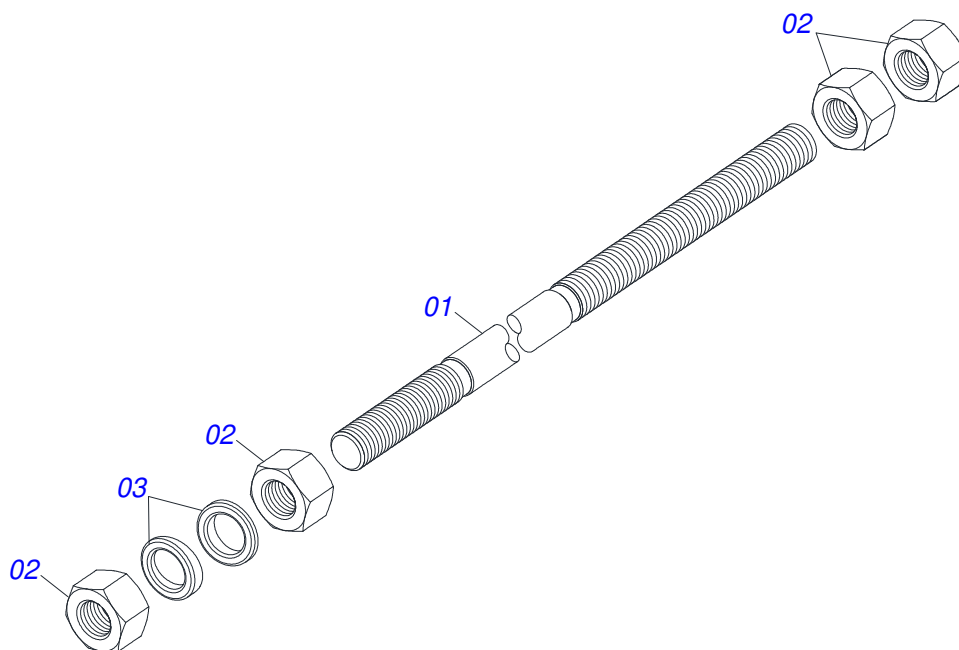
Item	Code	Description	See page	QT
01	0501100416	WOODEN BOX		01
02	0521064405	FRENCH HAND 1145 WITH GLOVE		02
03	0521045393	SET SUPPORT JOY STICK	8	01
04	0521047176	COMMAND	9	01
05	0581014119	FIXER BASE		01
06	0501041427	1.1/4" NC X 1540 ASSY ROD	10	02
07	0511043351	1.1/4" X 40" ROD	11	01
08	0501042819	1.1/4"NC X 33.46" ROD ASSY	12	01
09	0581013410	1.1/4" UNF X 155 BOLT		04
10	0581013378	GREASE SCREW		02
11	0581010243	WASHER HEX		06
12	0909096370	HYDRAULIC CIRCUIT	13	01
13	0521064256	MOBILE SUPPORT GUIDE FIXER		01
14	0571010158	FIXER GUIDE MOBILE SUPPORT		02
15	0581012445	CABIN FRAME SHOE FIXER		02
16	0571014582	SPACER		02
17	0571014616	BEATER		02
18	0502010477	HOSE CLAMP		04
19	0531017238	LOCK TRANSPORT		02
20	0501068994	8,30 X 78 LOCK PIN		02
21	0571016159	PRISONER M18X1.5X290		04
22	0521066184	NIPPLE FITTING		01
23	0571014617	GLOVE 22.23X38.10X43		06
24	0511032666	PACKED PARTS	17	01
25	0511033668	BAG WITH INSTRUCTION MANUAL		01
26	0581010090	SPRING PROTECTION PLASTIC HOSE		02
27	0501010574	FLAT WASHER		04
28	0501214143	FILTER SUPPORT		01
29	0501214142	FILTER SUPPORT		01
30	0521064869	7/8UNF JIC OIL DISTRIBUTOR		01



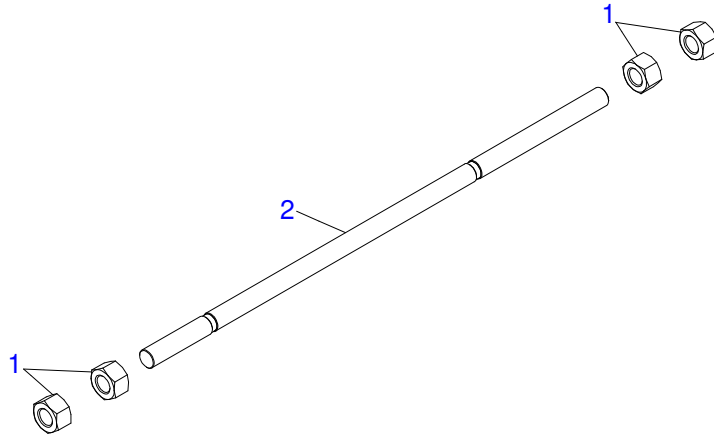
Item	Code	Description	See page	QT
01	0521065789	LOWER JOYSTICK SUPPORT		01
02	0571018376	CENTRAL BODY SUPPLEMENT OF JOYSTICK		01
03	0571018375	SUPERIOR BODY SUPPLEMENT OF JOYSTICK		01
04	0503010849	3/8" X 1-1/2" BOLT		02
05	0501010984	FLAT WASHER		02
06	0503010025	3/8" SPRING WASHER		02
07	0503010026	3/8" NUT		02
08	0503010848	5/16" X 3.1/2" BOLT		04
09	0501010694	FLAT WASHER		06
10	0503010179	LOCK WASHER		06
11	0503010337	5/16" NUT		06
12	0503011053	5/16" X 3" C S 6.5 ZN BOLT		02
13	0541015551	0.39" X 0.512" X 1.9" SLEEVE		02



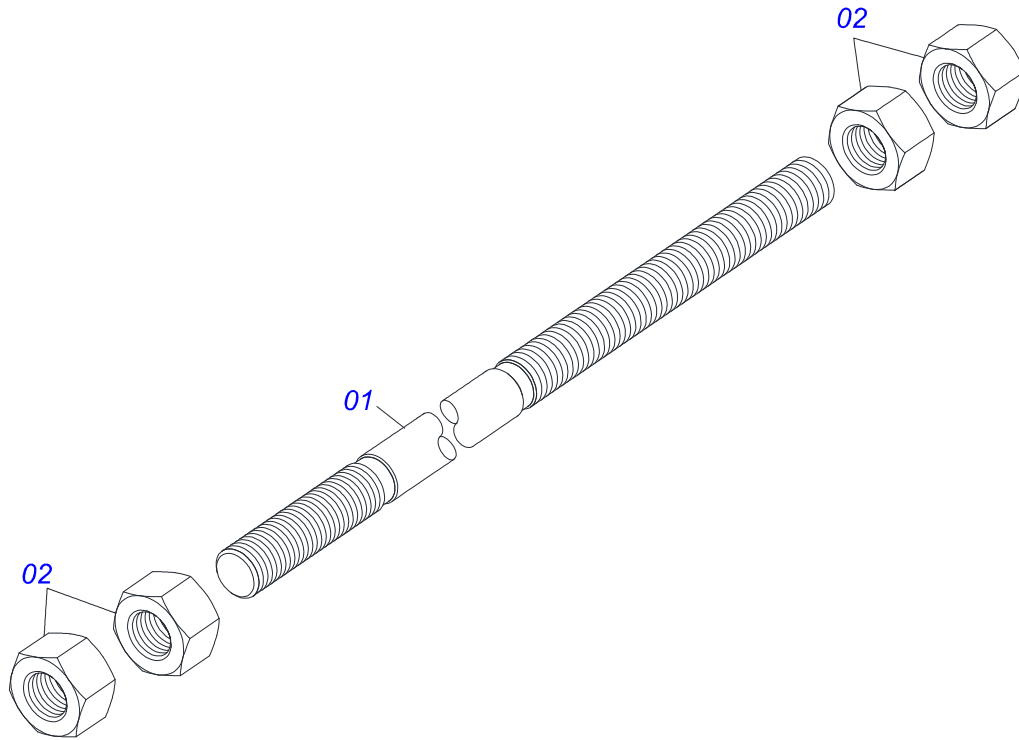
Item	Code	Description	See page	QT
01	0503062412	COMPLETE JOYSTICK CONTROL		01
02	0501011460	7/8 NF REDUCTION NIPPLE		01
03	0501010617	3/4" NIPPLE		02
04	0581013379	R. 7/8 X 9/16 X 50 (SEXT 22,23) NIPPLE		04
05	0503012905	2113 O'RING		03
06	0503013161	2-013 N 3006-9B O'RING		04



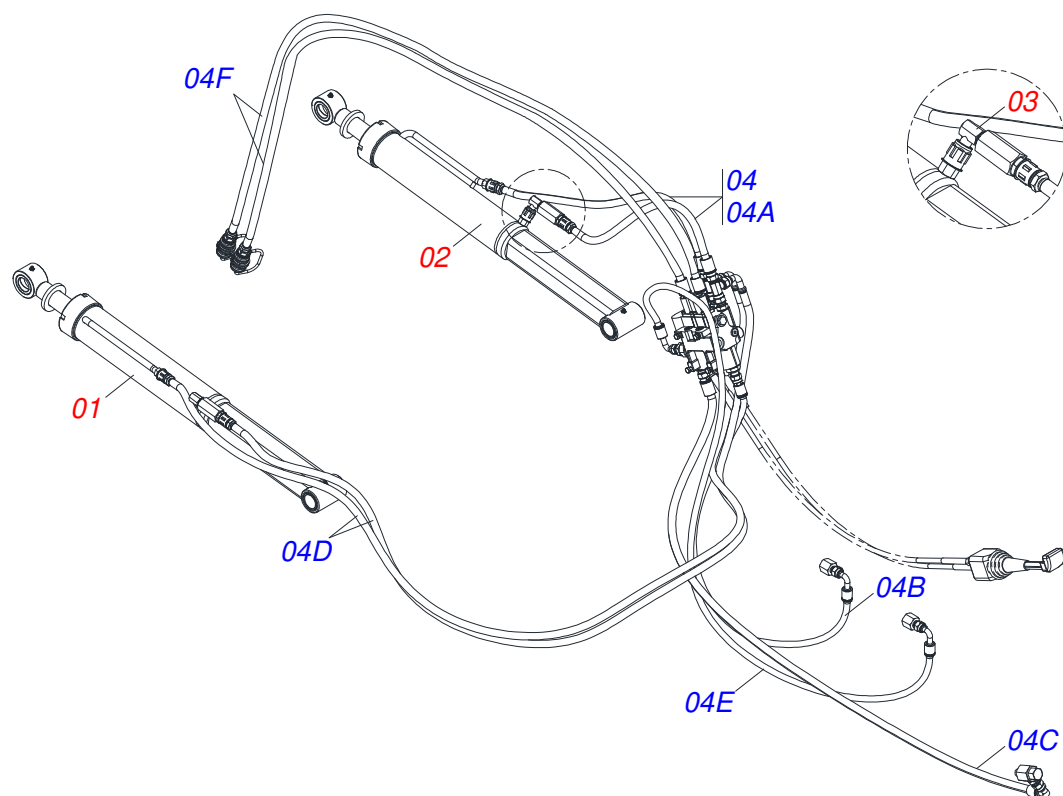
Item	Code	Description	See page	QT
01	0501014250	1.1/4" X 1540 ROD		01
02	0501010087	1.1/4" NUT		04
03	0502012180	CONICAL SPRING WASHER		02



Item	Code	Description	See page	QT
01	0501010087	1.1/4" NUT		04
02	0541015018	ROD 1.1/4 NC X 1000		01

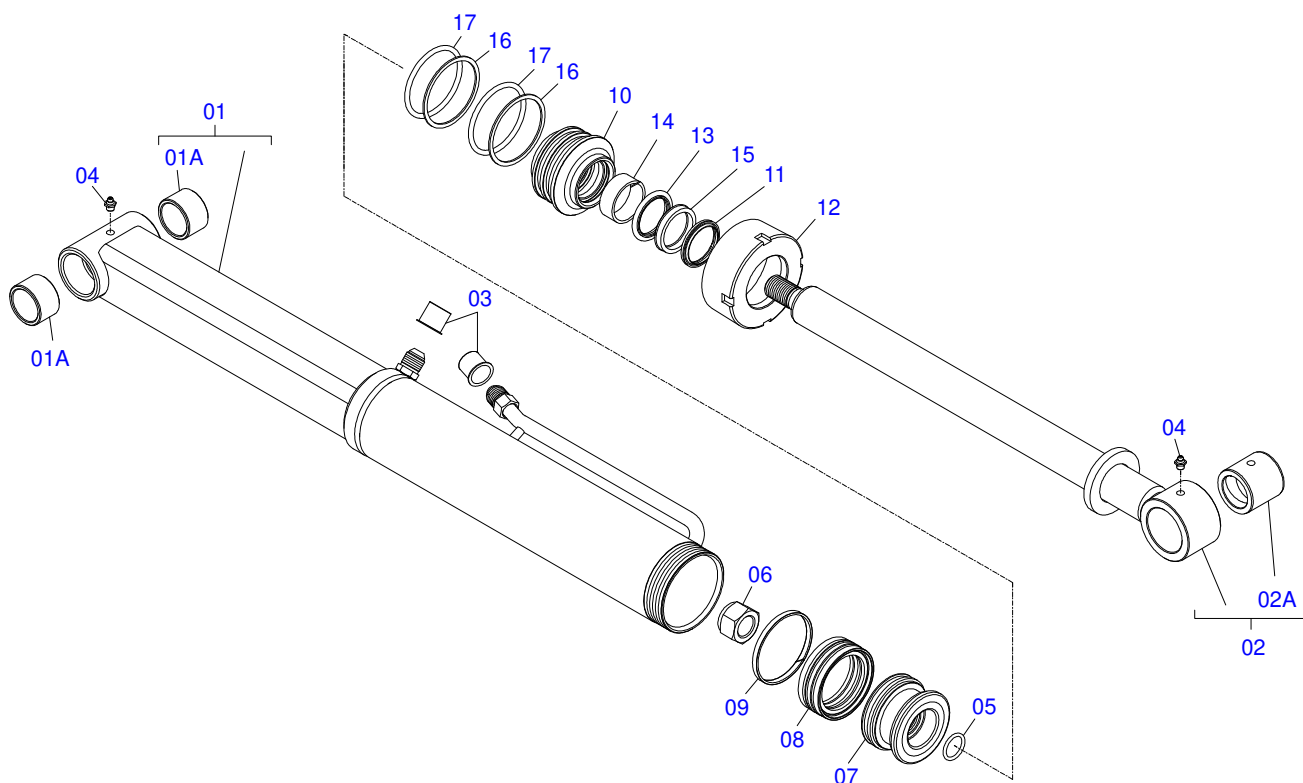


Item	Code	Description	See page	QT
01	0501018845	1.1/4" X 33.46" ROD		01
02	0501010087	1.1/4" NUT		04

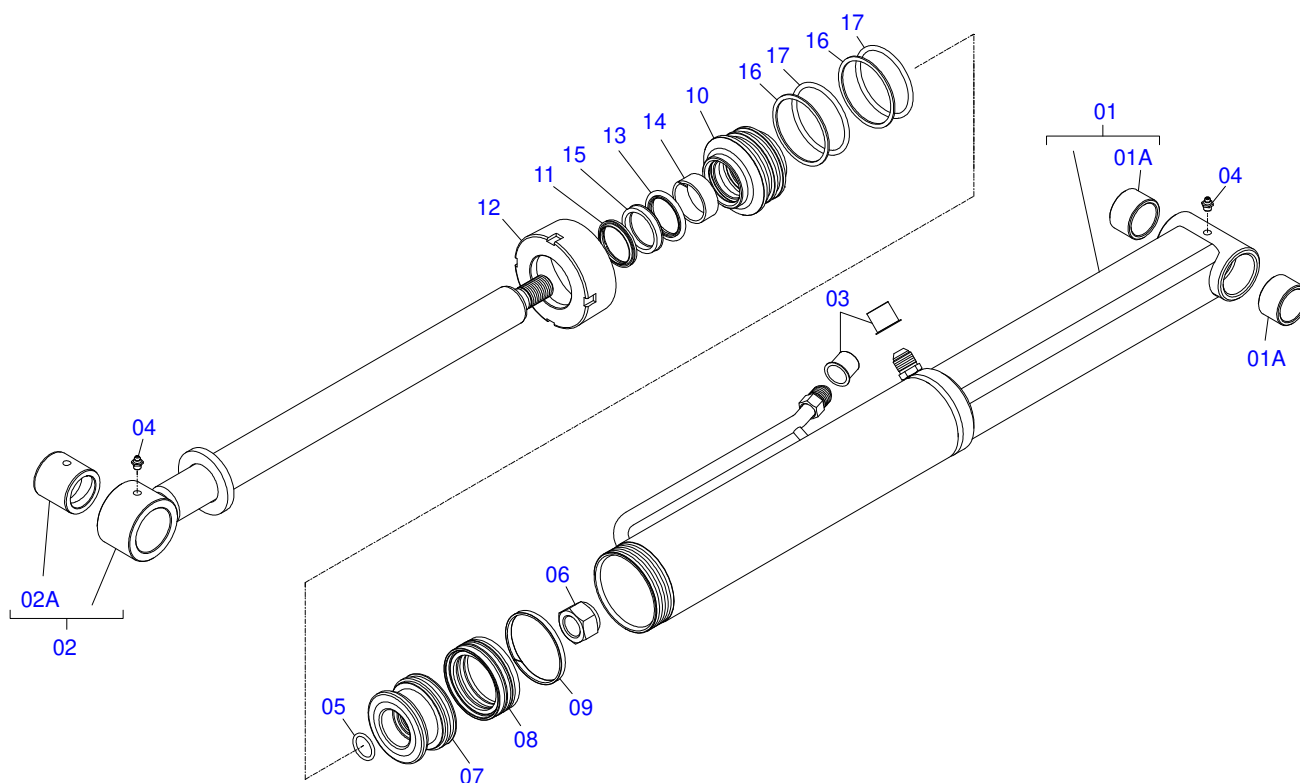


Item	Code	Description	See page	QT
01	0521050158	44,45 X 85,72 X 1049 X 360 - LEFT HYDRAULIC CYLINDER	14	01
02	0521050157	44,45 X 85,72 X 1049 X 360 - RIGHT HYDRAULIC CYLINDER	15	01
03	0511057771	R.7/8UNF - SAFETY VALVE	16	02
04	0521050827	HOSE KIT		01
04A	0501080035	1/2" X 900 TR-TR HOSE		02
04B	0501080714	3/8 X 1600 TR-TC HOSE		01
04C	0501080451	3/8" X 94.5" TR-TC HOSE ASSY		01
04D	0501080016	1/2 X 2800 TR-TC HOSE		02
04E	0501080041	HOSE 1/2 X 2800 TC-TC		01
04F	0501080308	1/2 X 2750 TR-TM HOSE		02

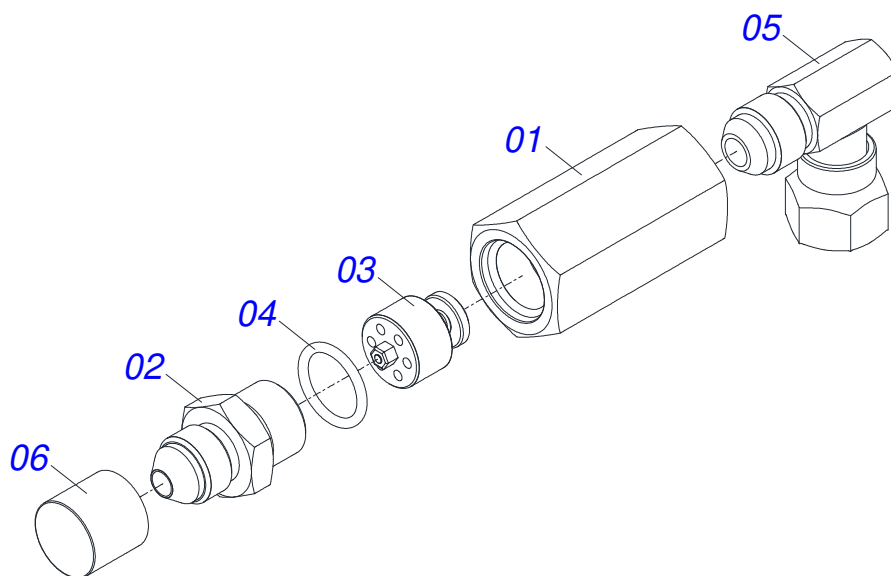




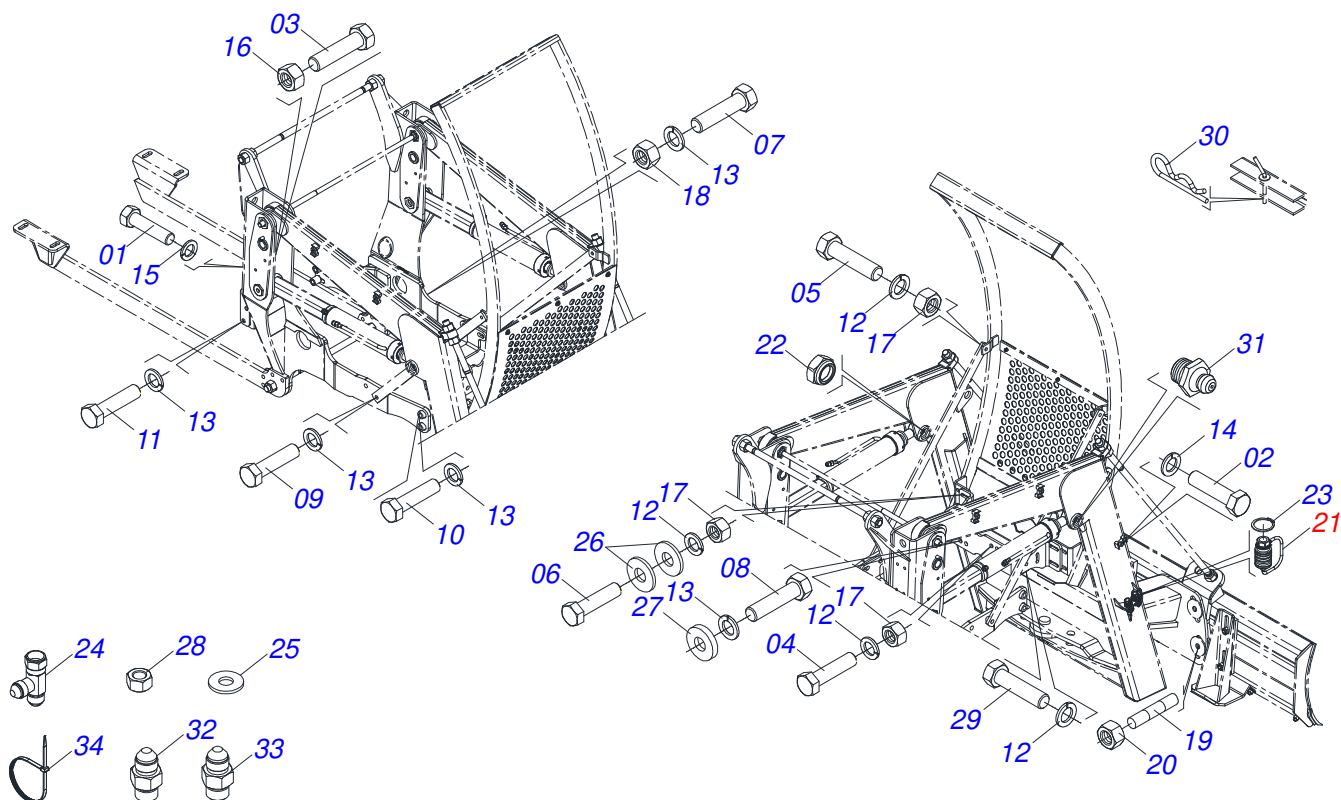
Item	Code	Description	See page	QT
01	0521067429	85,72 X 468 7/8 LEFT CYLINDER BODY - PD VTR A750		01
01A	0541014740	SLEEVE		02
02	0521067431	44,45 X 590 EXTENDER - PD VTR A750		01
02A	0521010514	38,1 X 52,9 X 50 SLEEVE INTER		01
03	0503030387	PLUG		02
04	0503010002	1800 GREASE FITTING		02
05	0503010042	2-214 N 3006-9B O'RING		01
06	0503010063	1" SELF-ALIGNING NUT		01
07	0571019710	1.7" X 3.4" PISTON		01
08	0503017935	RING		01
09	0503018144	RING		01
10	0571019711	RING SUPPORT		01
11	0503010761	D-1750 SCRAPER RING		01
12	0571019709	DETACHABLE COVER		01
13	0503017936	RING		01
14	0503017938	RING GUIDE		01
15	0503017937	GASKET		01
16	0503017940	8-337 BACK-UP RING		02
17	0503017939	2-337 N 3006-9B O' RING		02



Item	Code	Description	See page	QT
01	0521067430	CYLINDER BODY		01
01A	0541014740	SLEEVE		02
02	0521067431	44,45 X 590 EXTENDER - PD VTR A750		01
02A	0521010514	38,1 X 52,9 X 50 SLEEVE INTER		01
03	0503030387	PLUG		02
04	0503010002	1800 GREASE FITTING		02
05	0503010042	2-214 N 3006-9B O'RING		01
06	0503010063	1" SELF-ALIGNING NUT		01
07	0571019710	1.7" X 3.4" PISTON		01
08	0503017935	RING		01
09	0503018144	RING		01
10	0571019711	RING SUPPORT		01
11	0503010761	D-1750 SCRAPER RING		01
12	0571019709	DETACHABLE COVER		01
13	0503017936	RING		01
14	0503017938	RING GUIDE		01
15	0503017937	GASKET		01
16	0503017940	8-337 BACK-UP RING		02
17	0503017939	2-337 N 3006-9B O' RING		02



Item	Code	Description	See page	QT
01	0503018033	37 X R.7/8 UNF 90° JIC MALE CONNECTOR WITH ROTATING NUT		01
02	0581014053	1/2 BSP X 7/8 UNF JIC X 64 ADAPTER		01
03	0503016854	VALVE ASSY		01
04	0503010045	O'RING		01
05	0581014052	1/2 BSP X 7/8 UNF JIC X 43 NIPLE		01
06	0503030387	PLUG		01



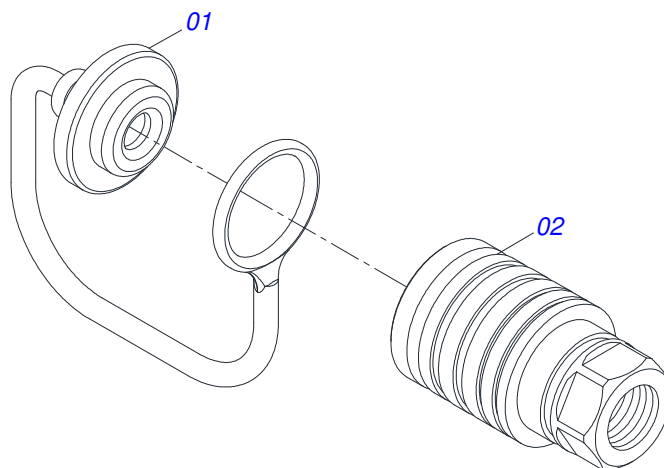
Item	Code	Description	See page	QT
01	0503016506	5/16 UNC X 3/4 C S G.5 ZN BOLT		04
02	0503011135	BOLT		04
03	0501010063	1/2" X 1-1/2" BOLT		02
04	0503011243	5/8" X 2" BOLT		02
05	0501010100	SCREW 5/8 UNC X 2 CS G.5 ZN		02
06	0503010899	5/8" X 2-1/4" BOLT		04
07	0501010500	3/4"X3"BOLT		08
08	0503013111	M20 X 2,5 X 65 BOLT		04
09	0503013112	M20 X 2,5 X 70 BOLT		02
10	0503013103	M20 X 2,5 X 90 BOLT		06
11	0503013366	M20 X 2,5 X 110 BOLT		06
12	0503010027	5/8" SPRING WASHER		10
13	0503010023	3/4" SPRING WASHER		26
14	0503010180	7/16" SPRING WASHER		04
15	0503010179	LOCK WASHER		04
16	0503011336	1/2" HEX SELF ADJUSTING NUT		02
17	0503010013	5/8" NUT		08
18	0503010014	3/4" NUT		08
19	0561016755	PRISONER 1 UNC X 1 UNC X 76 ZN		04
20	0501010059	1.5/8 NUT		04
21	0501053835	FEMALE QUICK COUPLER	18	02
22	0503010044	1-1/4" SELF LOCKING NUT		06
23	0503010217	501040 CLAMPING RING (FOR AXLE)		04
24	0503062177	7/8 (V.C) T-ADAPTER WITH NUT		02
25	0501010694	FLAT WASHER		01
26	0501012140	FLAT WASHER		10
27	0501010322	FLAT WASHER		04
28	0503015084	M18 X 1,50 LOCKNUT		10
29	0503010962	5/8" X 1-1/4" BOLT		02
30	0503030168	HITCH PIN CLIP		02
31	0503010002	1800 GREASE FITTING		06



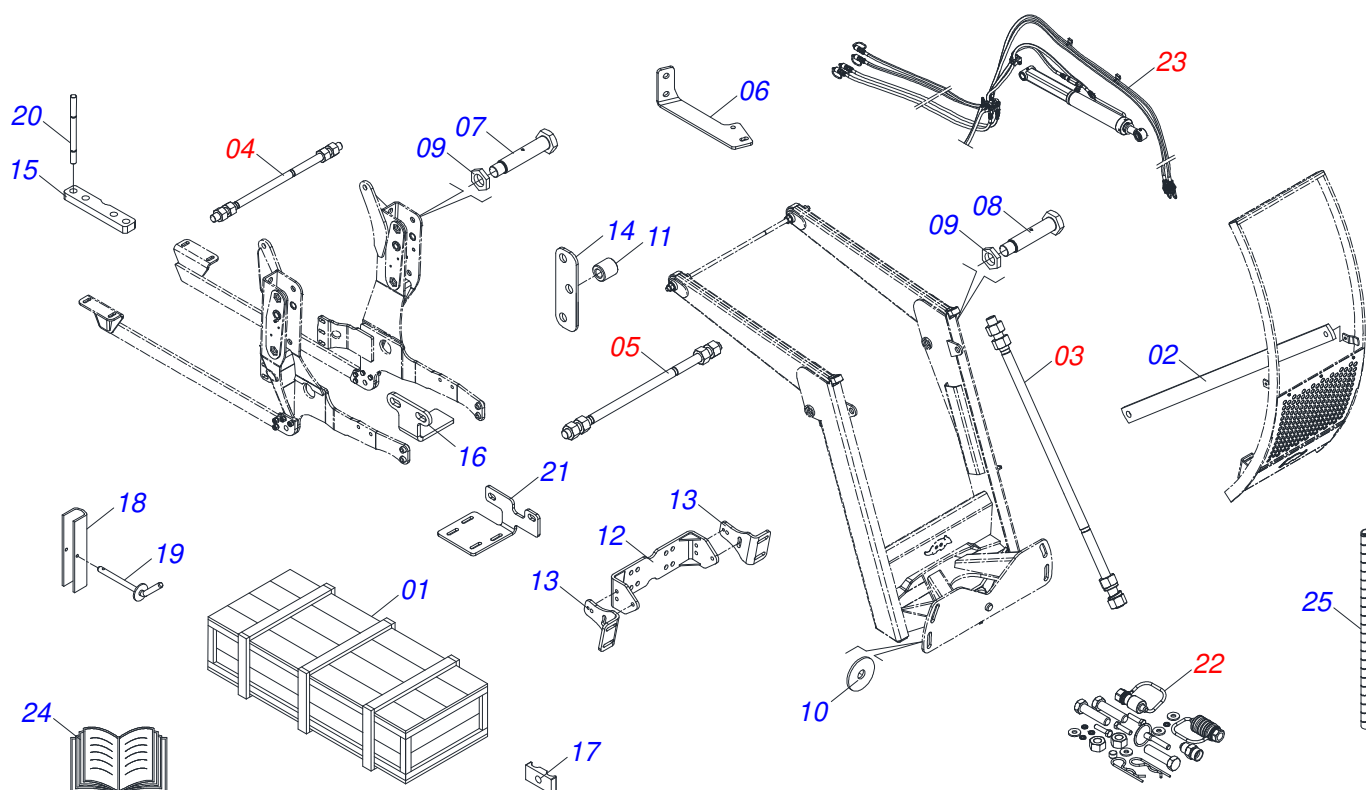
PACKED PARTS

0511032666

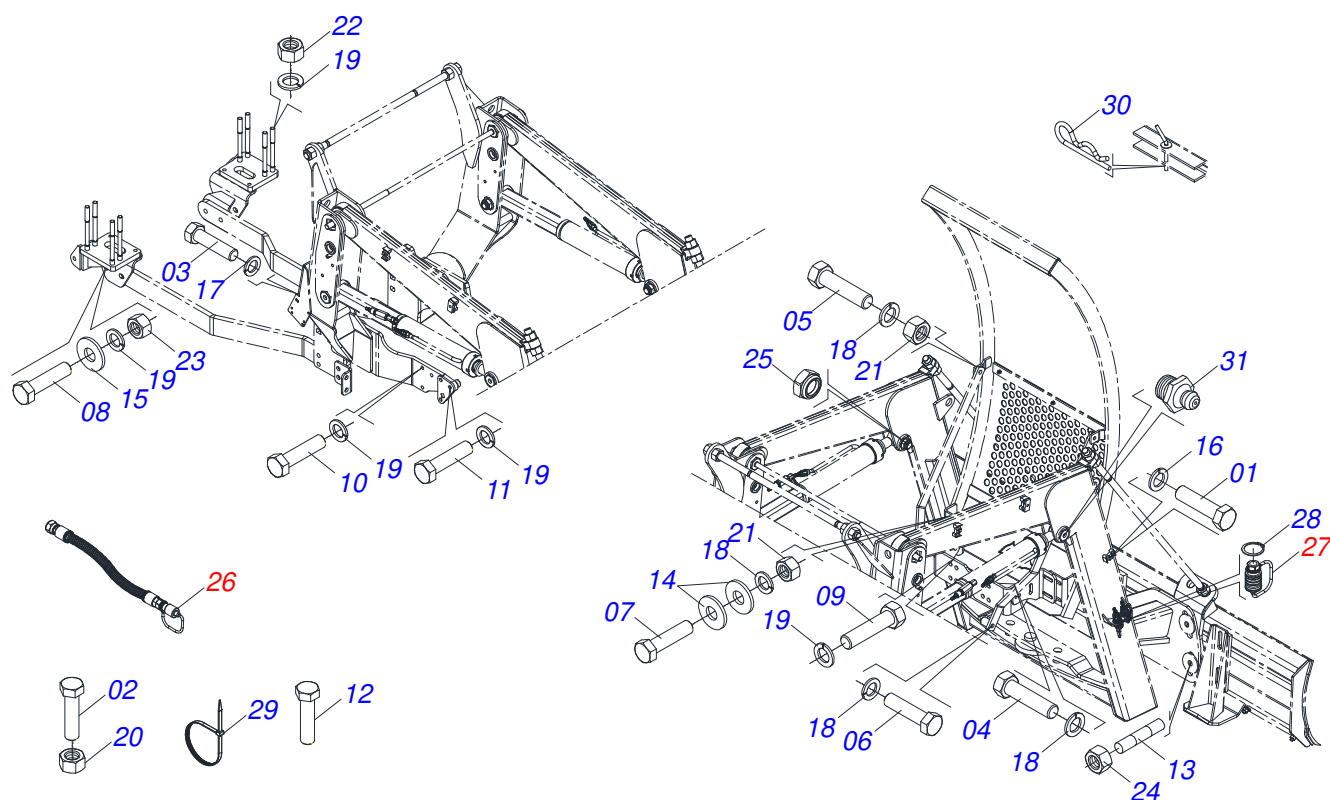
Item	Code	Description	See page	QT
32	0571015319	R7/8UNF X R3/4BSP SEX1.1/4X50 NIPLE		01
33	0591011380	NIPLE R.3/4 UNF X 1.1/16 UN X 60		01
34	0503013527	CLAMP ZIPER		10



Item	Code	Description	See page	QT
01	0503011883	QUICK CONNECTION COVER		01
02	0503011628	FEMALE QUICK COUPLER		01

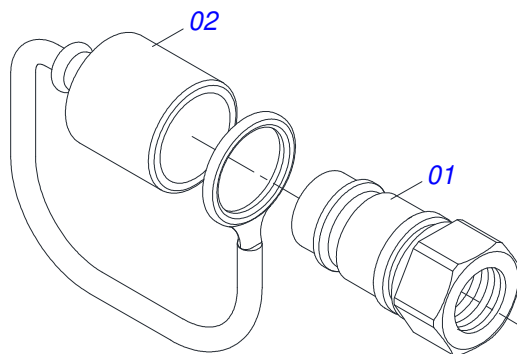


Item	Code	Description	See page	QT
01	0501100416	WOODEN BOX		01
02	0521064405	FRENCH HAND 1145 WITH GLOVE		02
03	0501041427	1.1/4" NC X 1540 ASSY ROD	10	02
04	0511043351	1.1/4" X 40" ROD	11	01
05	0501042819	1.1/4"NC X 33.46" ROD ASSY	12	01
06	0501214142	FILTER SUPPORT		01
07	0581013410	1.1/4" UNF X 155 BOLT		04
08	0581013378	GREASE SCREW		02
09	0581010243	WASHER HEX		06
10	0501010574	FLAT WASHER		04
11	0571014617	GLOVE 22.23X38.10X43		06
12	0521064256	MOBILE SUPPORT GUIDE FIXER		01
13	0571010158	FIXER GUIDE MOBILE SUPPORT		02
14	0571014582	SPACER		02
15	0581012445	CABIN FRAME SHOE FIXER		02
16	0571014616	BEATER		02
17	0502010477	HOSE CLAMP		07
18	0531017238	LOCK TRANSPORT		02
19	0501068994	8,30 X 78 LOCK PIN		02
20	0571016159	PRISONER M18X1.5X290		04
21	0501214143	FILTER SUPPORT		01
22	0511032665	PACKED PARTS	20	01
23	0909095816	HYDRAULIC CIRCUIT	22	01
24	0511033668	BAG WITH INSTRUCTION MANUAL		01
25	0581010090	SPRING PROTECTION PLASTIC HOSE		02

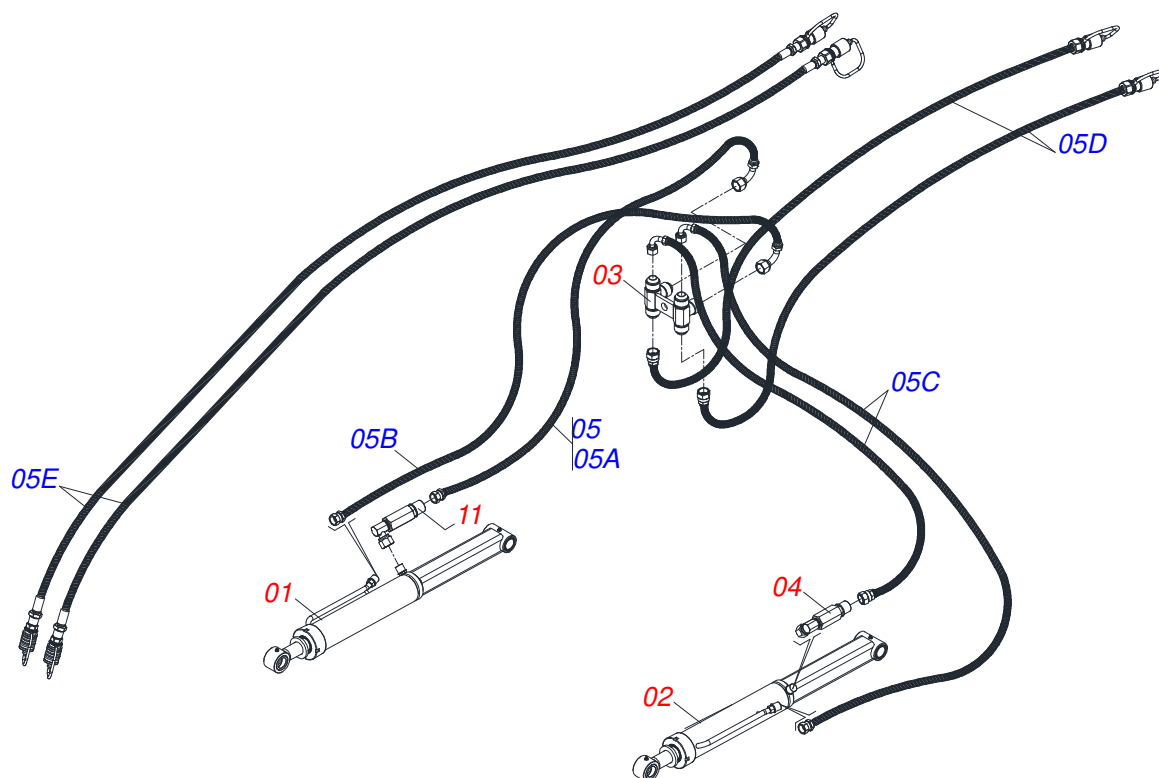


Item	Code	Description	See page	QT
01	0503011135	BOLT		04
02	0501010155	1/2" X 1" BOLT		01
03	0503010479	BOLT		01
04	0503010962	5/8" X 1-1/4" BOLT		02
05	0501010100	SCREW 5/8 UNC X 2 CS G.5 ZN		02
06	0503011243	5/8" X 2" BOLT		02
07	0503010899	5/8" X 2-1/4" BOLT		04
08	0501010500	3/4"X3"BOLT		08
09	0503013111	M20 X 2,5 X 65 BOLT		04
10	0503013112	M20 X 2,5 X 70 BOLT		02
11	0503013103	M20 X 2,5 X 90 BOLT		06
12	0503013366	M20 X 2,5 X 110 BOLT		06
13	0561016755	PRISONER 1 UNC X 1 UNC X 76 ZN		04
14	0501012140	FLAT WASHER		10
15	0501010322	FLAT WASHER		04
16	0503010180	7/16" SPRING WASHER		04
17	0503010019	1/2" SPRING WASHER		02
18	0503010027	5/8" SPRING WASHER		10
19	0503010023	3/4" SPRING WASHER		26
20	0503010060	1/2" NUT		01
21	0503010013	5/8" NUT		08
22	0503015084	M18 X 1,50 LOCKNUT		08
23	0503010014	3/4" NUT		08
24	0501010059	1.5/8 NUT		04
25	0503010044	1-1/4" SELF LOCKING NUT		06
26	0501053834	MALE QUICK COUPLER	21	04
27	0501053835	FEMALE QUICK COUPLER	18	02
28	0503010217	501040 CLAMPING RING (FOR AXLE)		04
29	0503013527	CLAMP ZIPER		10
30	0503030168	HITCH PIN CLIP		02
31	0503010002	1800 GREASE FITTING		06





Item	Code	Description	See page	QT
01	0503011627	MALE QUICK COUPLER AGR 1/2 NPT		01
02	0503011882	MALE QUICK COUPLER CAP		01



Item	Code	Description	See page	QT
01	0521050157	44,45 X 85,72 X 1049 X 360 - RIGHT HYDRAULIC CYLINDER	15	01
02	0521050158	44,45 X 85,72 X 1049 X 360 - LEFT HYDRAULIC CYLINDER	14	01
03	0521064869	7/8UNF JIC OIL DISTRIBUTOR		01
04	0511057771	R.7/8UNF - SAFETY VALVE	16	02
05	0521050822	HOSE KIT		01
05A	0501080825	1/2" X 1100 TR-TC HOSE		01
05B	0501080119	HOSE		01
05C	0501080016	1/2 X 2800 TR-TC HOSE		02
05D	0501080308	1/2 X 2750 TR-TM HOSE		02
05E	0501081929	HOSE 1/2 X 4500 TM-TM		02





**MARCHESAN**

**Technical Publications | Elaboration and Revision**

LORENA ROCHA ALVES

[www.marchesan.com.br](http://www.marchesan.com.br)

