

PD - FRONT LOADER

PD MAHINDRA - S/A

Code: 0501093323
Series: S-0417
Revision: 00
Date Revision: JUNHO/2022

PARTS CATALOGUE



MARCHESAN



PRODUCTS

Code	Description
0106160005	PD MHI 6075A9200 BT CDC JS ESP S-0417
0106160004	PD MHI 6075A9200 BT SC ESP S-0417

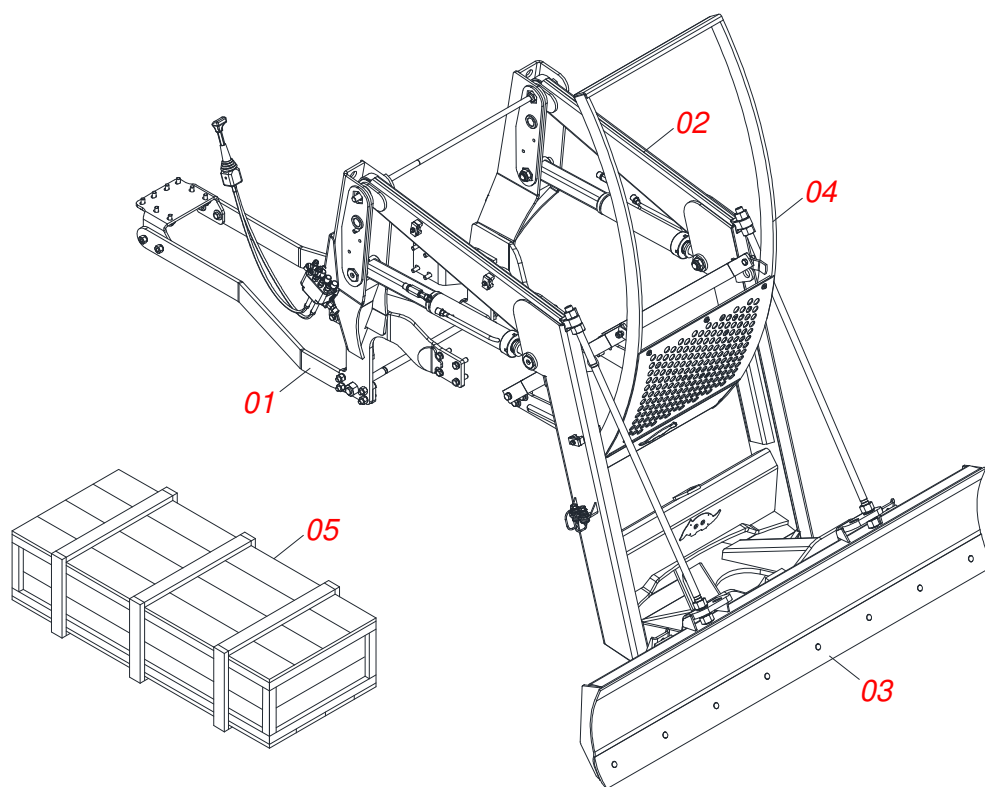
ATTENTION: IMPORTANT

Marchesan S.A. reserves the right to improve and/or modify the technical features of its products, without obligation to do the same with those products already sold and without prior knowledge of the dealer or the consumer. The photos are only illustrative.

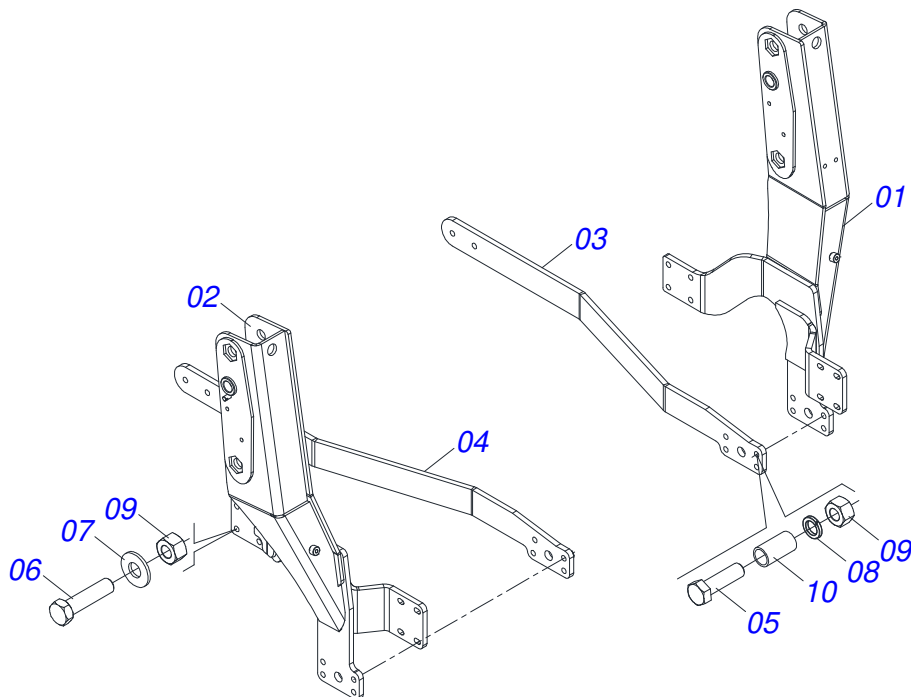


INDEX

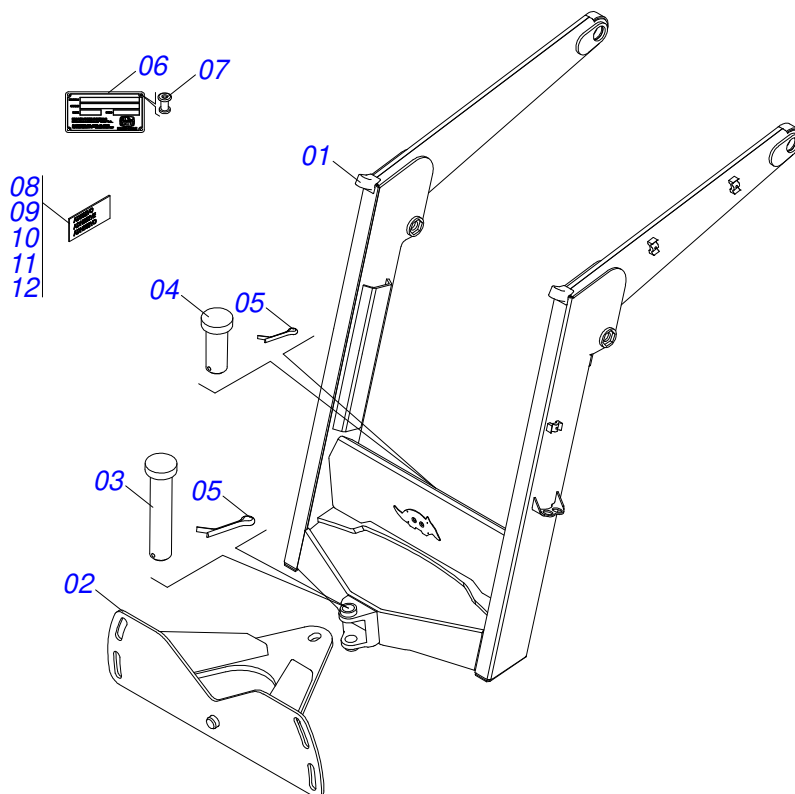
0909096403	ASSY FRAME	1
0521047485	FRAME ASSEMBLY WITH REAR BAR	2
0521046960	ASSY MOVEL SUPPORT	3
0511047750	2400 SCRAPER ASSY WITH STABILIZER BRACKET	4
0501047708	2400 BLADE SUPPORT	5
0501048330	MOBILE SUPPORT GUIDE ASSY	6
0521023647	BOX WITH COMPONENTS	7
0521045393	SET SUPPORT JOY STICK	8
0521047176	COMMAND	9
0909096404	HYDRAULIC CIRCUIT	10
0511032858	PACKED PARTS	11
0501053835	FEMALE QUICK COUPLER	12
0521023646	BOX WHIT COMPONENTS	13
0501042819	1.1/4"NC X 33.46" ROD ASSY	14
0501041427	1.1/4" NC X 1540 ASSY ROD	15
0909096367	HYDRAULIC CIRCUIT	16
0511032856	PACKED PARTS	17
0501053834	MALE QUICK COUPLER	18



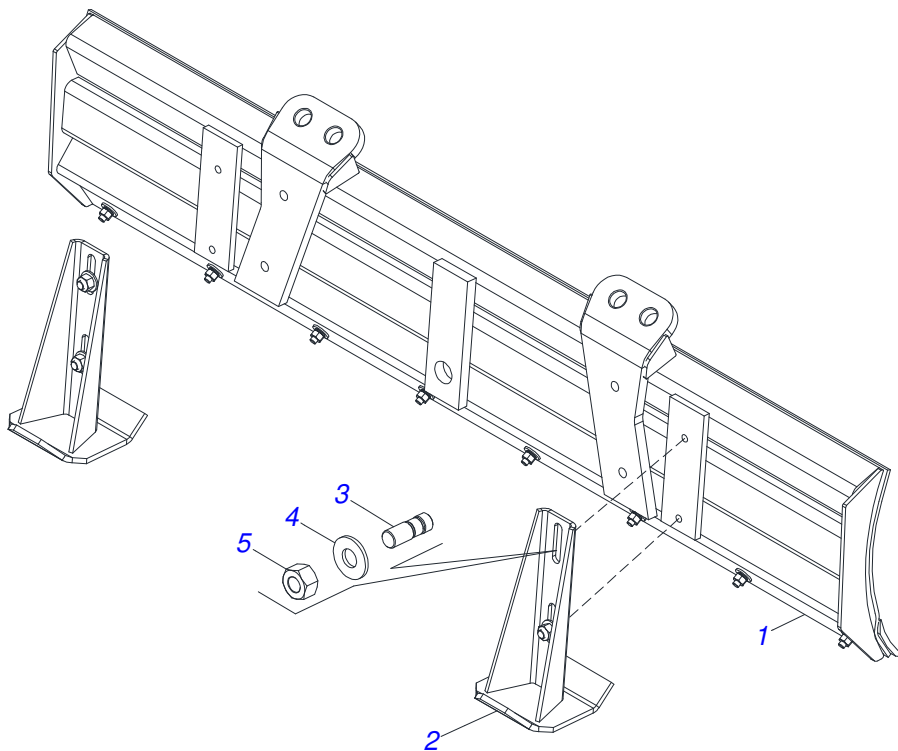
Item	Code	Description	See page	QT
01	0521047485	FRAME ASSEMBLY WITH REAR BAR	2	01
02	0521046960	ASSY MOVEL SUPPORT	3	01
03	0511047750	2400 SCRAPER ASSY WITH STABILIZER BRACKET	4	01
04	0501048330	MOBILE SUPPORT GUIDE ASSY	6	01
05	0521023647	BOX WITH COMPONENTS	7	01
05.	0521023646	BOX WHIT COMPONENTS	13	01



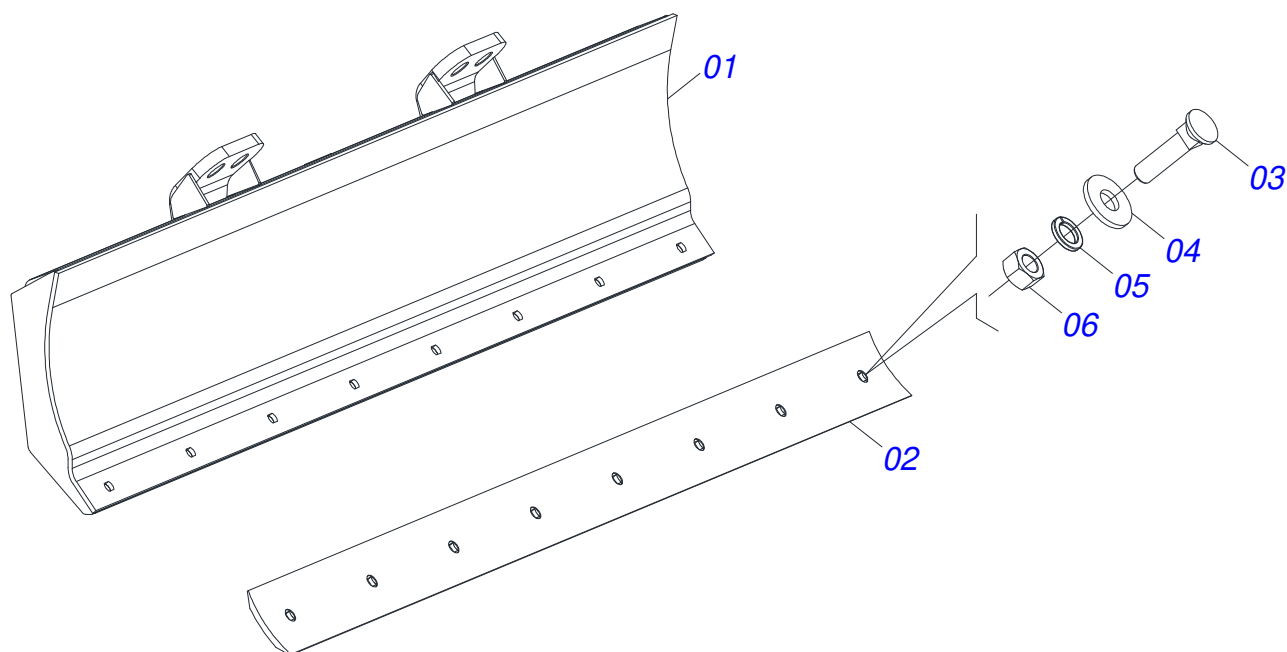
Item	Code	Description	See page	QT
01	0521067946	RIGHT FRAME		01
02	0521067947	LEFT FRAME		01
03	0581014707	REAR FIXING RIGHT BAR		01
04	0581014706	REAR FIXING LEFT BAR		01
05	0503011084	3/4" X 5" BOLT		04
06	0501010500	3/4"X3"BOLT		02
07	0501010322	FLAT WASHER		02
08	0503010023	3/4" SPRING WASHER		04
09	0503010014	3/4" NUT		06
10	0581015170	SLEEVE		04



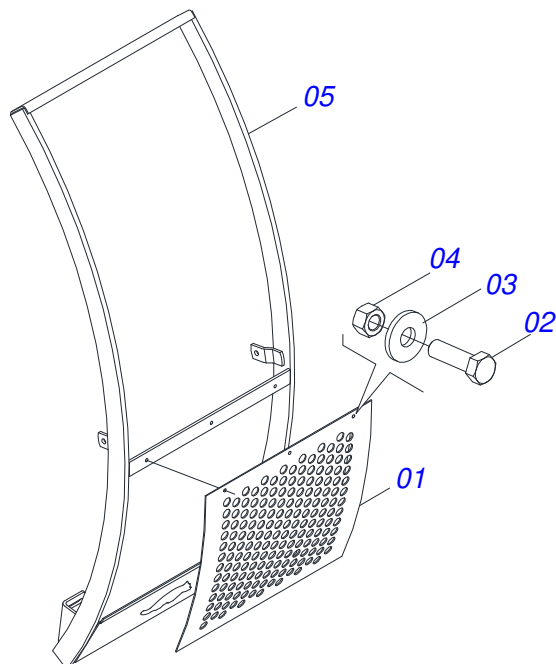
Item	Code	Description	See page	QT
01	0521067528	MOBILE SUPPORT		01
02	0501063368	REGULATOR SUPPORT		01
03	0521010618	1.4" X 8.6" COUPLING SHAFT		01
04	0521010612	1.4" X 3.5" COUPLING SHAFT		01
05	0503010010	1/4" X 2.1/2" COTTERPIN		02
06	0503034003	SERIAL NUMBER TAG 61 X 118		01
07	0503010001	3.2 X 5.5 RIVET		04
08	0503031428	READ MANUAL DECAL		01
09	0503031827	LUBRICATE AND RETIGHTEN DAILY DECAL		01
10	0503062270	SET LABEL ADHESIVE		01
11	0503034078	LIFTING POINTS DECAL		03
12	0503031087	ADHESIVE LABEL		01



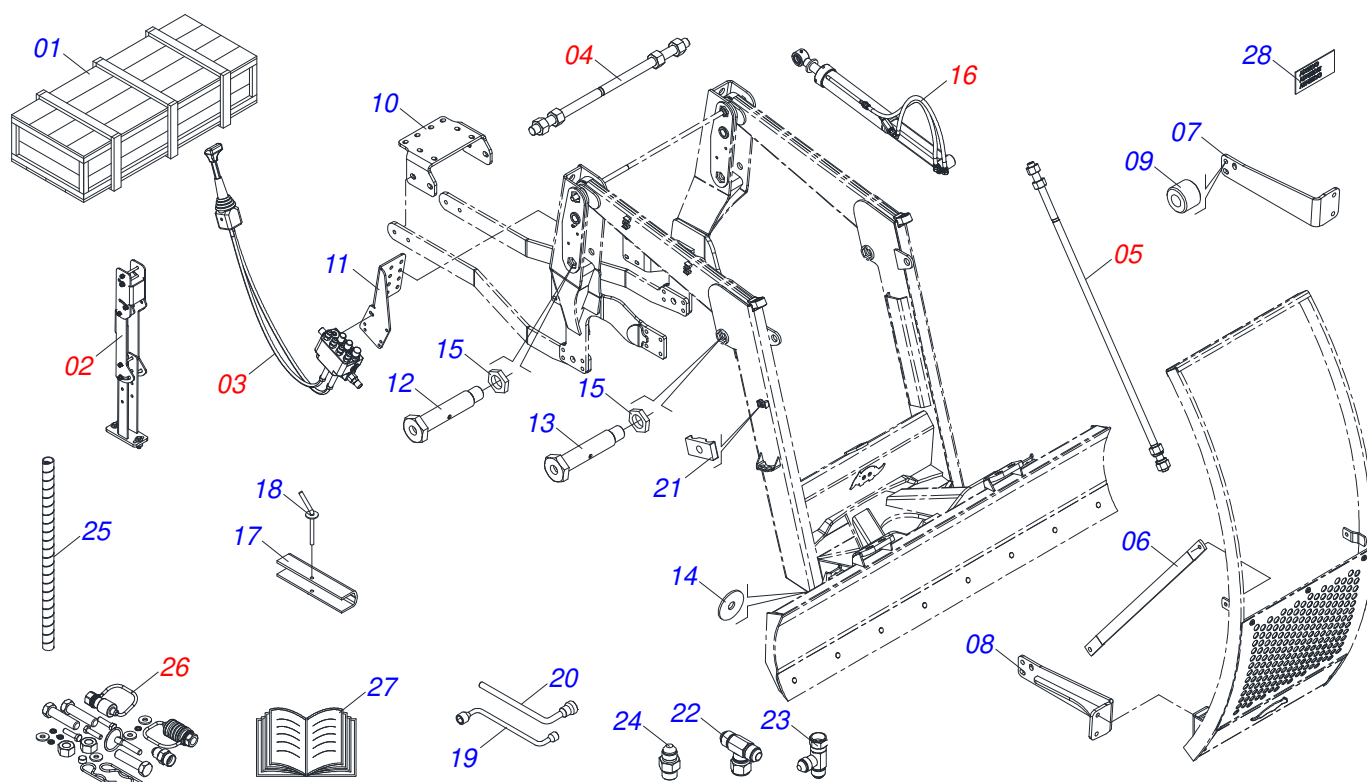
Item	Code	Description	See page	QT
01	0501047708	2400 BLADE SUPPORT	5	01
02	0501063411	ESTABILIZER BRACKET		02
03	0561016756	3/4 UNC X 3/4 UNC X 56 PRISONER		04
04	0501010322	FLAT WASHER		04
05	0503010014	3/4" NUT		04



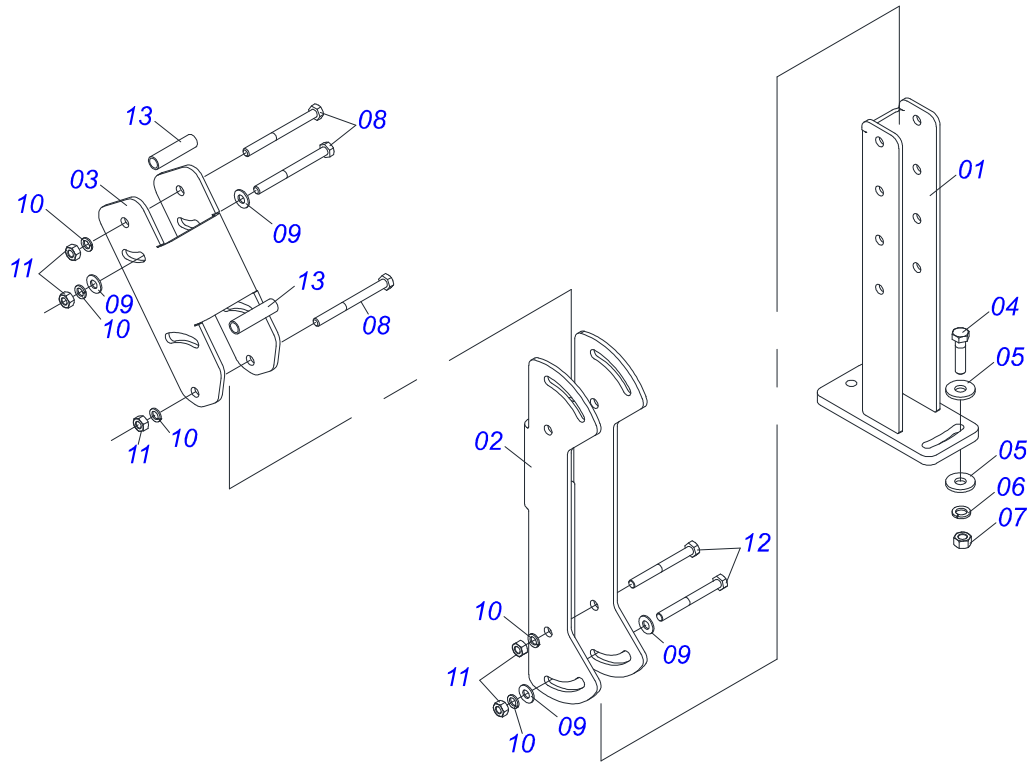
Item	Code	Description	See page	QT
01	0501067999	2390 BLADE SUPPORT		01
02	0622360016	94.5" SCRAPER REVERSIBLE		01
03	0501012240	BOLT		08
04	0501012140	FLAT WASHER		08
05	0503011445	SPRING WASHER		08
06	0503010013	5/8" NUT		08



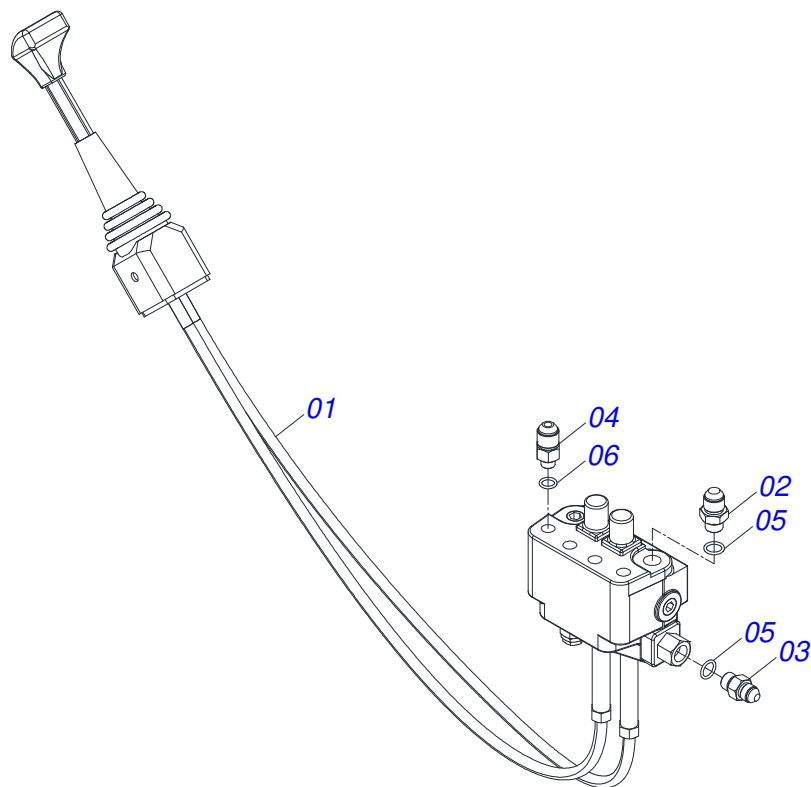
Item	Code	Description	See page	QT
01	0501014686	FRONT PROTECTION		01
02	0503010751	C3/8" X 1.1/4" HEX BOLT G.5		03
03	0501010984	FLAT WASHER		03
04	0503010026	3/8" NUT		03
05	0511061998	MOBILE SUPPORT GUIDE		01



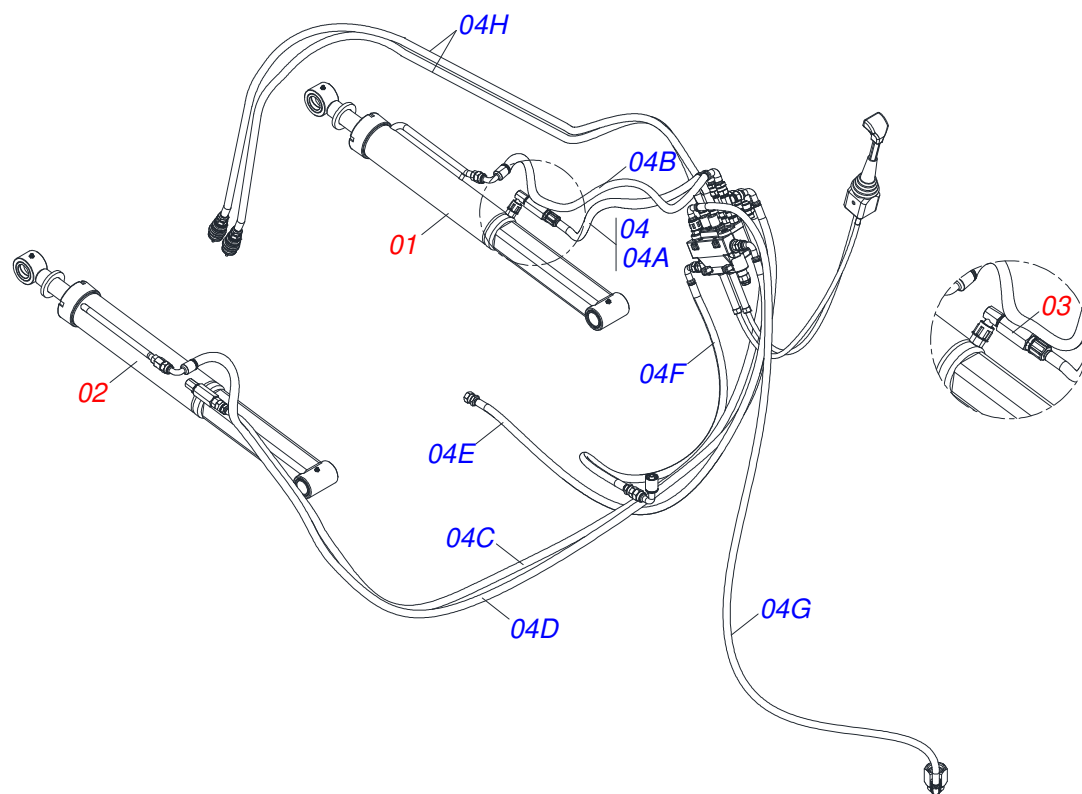
Item	Code	Description	See page	QT
01	0501100416	WOODEN BOX		01
02	0521045393	SET SUPPORT JOY STICK	8	01
03	0521047176	COMMAND	9	01
04	0501042819	1.1/4"NC X 33.46" ROD ASSY	14	01
05	0501041427	1.1/4" NC X 1540 ASSY ROD	15	02
06	0581014711	GUIDE BAR		02
07	0521067949	GUIDES LEFT FIXER		01
08	0521067948	GUIDE RIGHT FIXER		01
09	0581014710	SPACING BUSHING		02
10	0581014704	MOUNTING PLATE		01
11	0581014119	FIXER BASE		01
12	0581013410	1.1/4" UNF X 155 BOLT		04
13	0581013378	GREASE SCREW		02
14	0501010574	FLAT WASHER		04
15	0581010243	WASHER HEX		06
16	0909096404	HYDRAULIC CIRCUIT	10	01
17	0531017238	LOCK TRANSPORT		02
18	0501068994	8,30 X 78 LOCK PIN		02
19	0501068213	5/8" WRENCH DOUBLE		01
20	0501061617	1" GANG BOLT WRENCH		01
21	0502010477	HOSE CLAMP		05
22	0503013055	"T" ADAPTOR WITH GIRAT NUT		01
23	0503062177	7/8 (V.C) T-ADAPTER WITH NUT		02
24	0561016699	NIPPLE FITTING		02
25	0581010090	SPRING PROTECTION PLASTIC HOSE		02
26	0511032858	PACKED PARTS	11	01
27	0511033668	BAG WITH INSTRUCTION MANUAL		01
28	0503034113	ADHESIVE LABEL		01



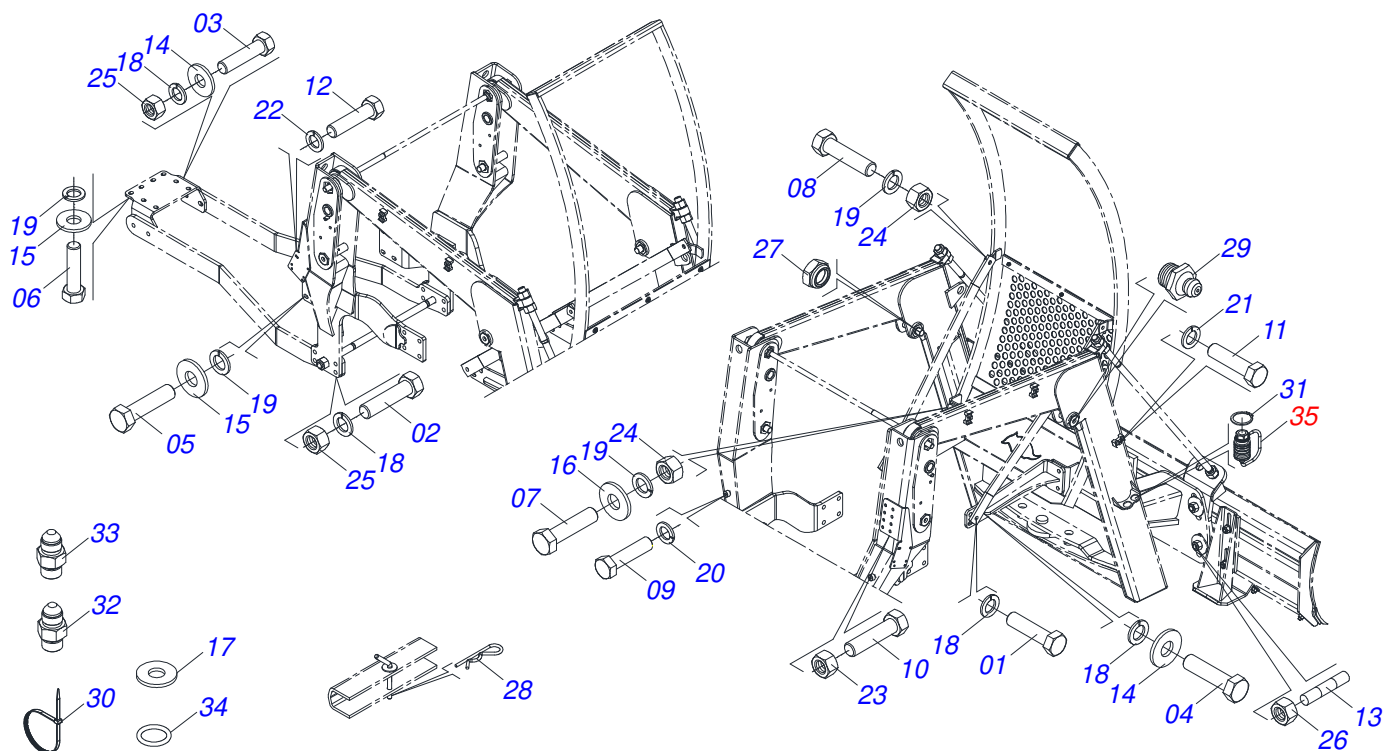
Item	Code	Description	See page	QT
01	0521065789	LOWER JOYSTICK SUPPORT		01
02	0571018376	CENTRAL BODY SUPPLEMENT OF JOYSTICK		01
03	0571018375	SUPERIOR BODY SUPPLEMENT OF JOYSTICK		01
04	0503010849	3/8" X 1-1/2" BOLT		02
05	0501010984	FLAT WASHER		02
06	0503010025	3/8" SPRING WASHER		02
07	0503010026	3/8" NUT		02
08	0503010848	5/16" X 3.1/2" BOLT		04
09	0501010694	FLAT WASHER		06
10	0503010179	LOCK WASHER		06
11	0503010337	5/16" NUT		06
12	0503011053	5/16" X 3" C S 6.5 ZN BOLT		02
13	0541015551	0.39" X 0.512" X 1.9" SLEEVE		02



Item	Code	Description	See page	QT
01	0503062412	COMPLETE JOYSTICK CONTROL		01
02	0501011460	7/8 NF REDUCTION NIPPLE		01
03	0501010617	3/4" NIPPLE		02
04	0581013379	R. 7/8 X 9/16 X 50 (SEXT 22,23) NIPPLE		04
05	0503012905	2113 O'RING		03
06	0503013161	2-013 N 3006-9B O'RING		04



Item	Code	Description	See page	QT
01	0521050157	44,45 X 85,72 X 1049 X 360 - RIGHT HYDRAULIC CYLINDER		01
02	0521050158	44,45 X 85,72 X 1049 X 360 - LEFT HYDRAULIC CYLINDER		01
03	0511057771	R.7/8UNF - SAFETY VALVE		02
04	0521051333	HOSE KIT		01
04A	0501080218	1/2 X 750 HOSE		01
04B	0501081410	HOSE 1/2 X 850 TC-TC		01
04C	0501081638	1/2 X 1050 TC-TR HOSE		01
04D	0501080067	1/2 X 1150 HOSE TC-TC		01
04E	0501080225	1/2" X 2150 TR-TR HOSE		01
04F	0501081521	1/2 X 2250 TC-TC HOSE		01
04G	0501080786	1/2" X 98.42" HOSE ASSY		01
04H	0501080308	1/2 X 2750 TR-TM HOSE		02



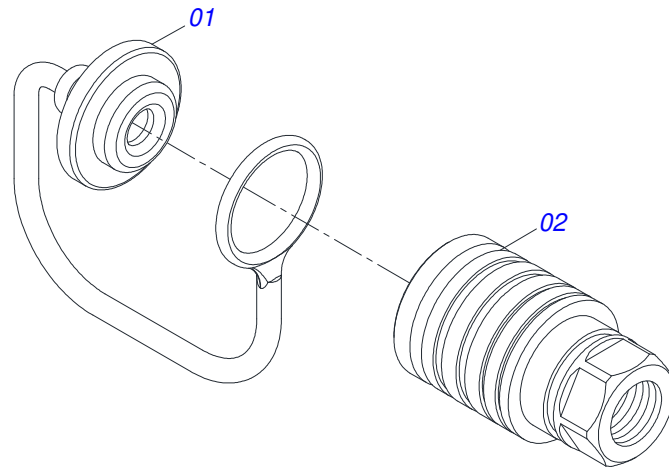
Item	Code	Description	See page	QT
01	0501010195	3/4" X 3-1/2" BOLT	02	
02	0501010500	3/4"X3"BOLT	08	
03	0501010125	3/4" X 2-1/2" BOLT	12	
04	0501010098	3/4" UNC BOLT	04	
05	0503011730	M16 X 2 X 60 BOLT	08	
06	0503010148	M16 X 2 X 40 BOLT	08	
07	0503010899	5/8" X 2-1/4" BOLT	04	
08	0501010100	SCREW 5/8 UNC X 2 CS G.5 ZN	02	
09	0503011239	1/2" X 2" BOLT	01	
10	0501010063	1/2" X 1-1/2" BOLT	02	
11	0503011135	BOLT	03	
12	0503016506	5/16 UNC X 3/4 C S G.5 ZN BOLT	04	
13	0561016755	PRISONER 1 UNC X 1 UNC X 76 ZN	04	
14	0501010322	FLAT WASHER	08	
15	0501010453	FLAT WASHER	16	
16	0501012140	FLAT WASHER	04	
17	0501010694	FLAT WASHER	01	
18	0503010023	3/4" SPRING WASHER	26	
19	0503010027	5/8" SPRING WASHER	22	
20	0503010019	1/2" SPRING WASHER	01	
21	0503010180	7/16" SPRING WASHER	03	
22	0503010179	LOCK WASHER	04	
23	0503011336	1/2" HEX SELF ADJUSTING NUT	02	
24	0503010013	5/8" NUT	06	
25	0503010014	3/4" NUT	12	
26	0501010059	1.5/8 NUT	04	
27	0503010044	1-1/4" SELF LOCKING NUT	06	
28	0503030168	HITCH PIN CLIP	02	
29	0503010002	1800 GREASE FITTING	06	
30	0503013527	CLAMP ZIPER	10	
31	0503010217	501040 CLAMPING RING (FOR AXLE)	04	



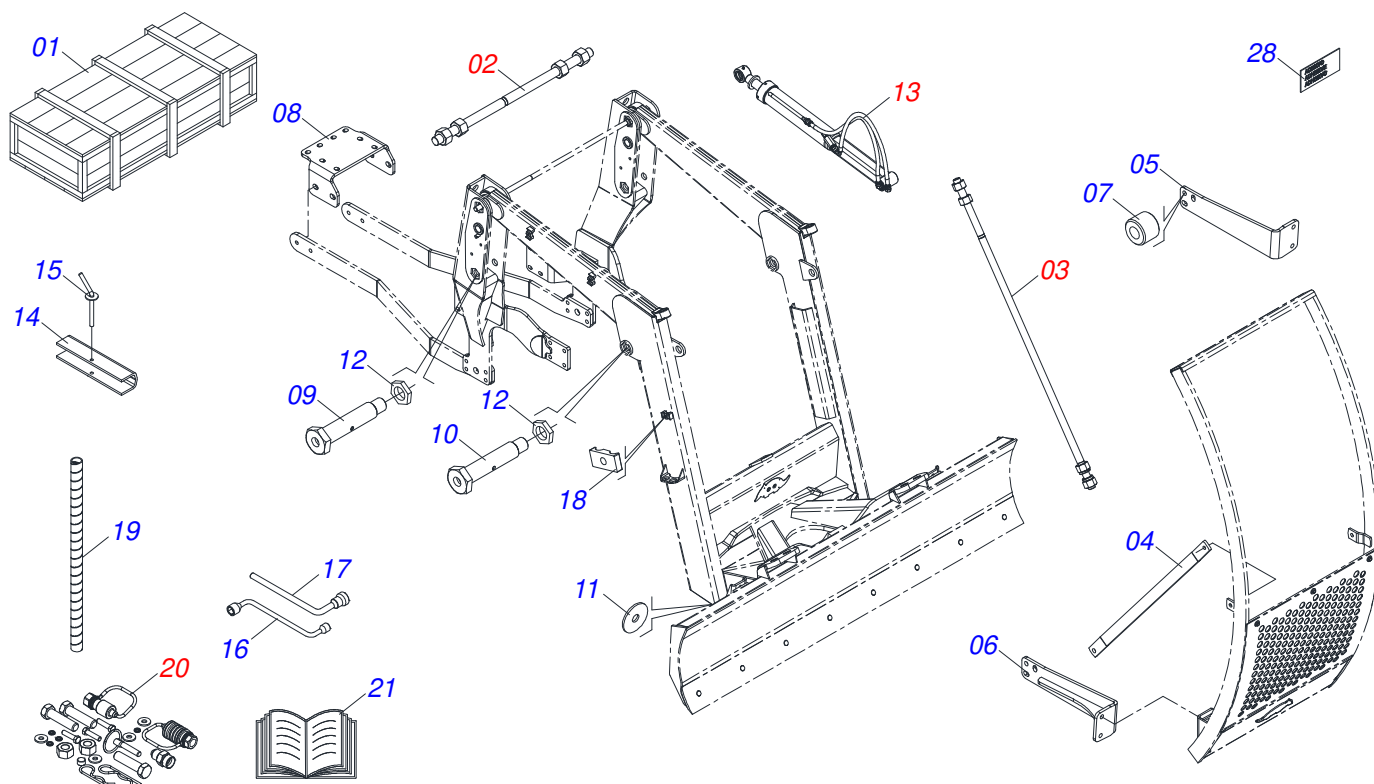
PACKED PARTS

0511032858

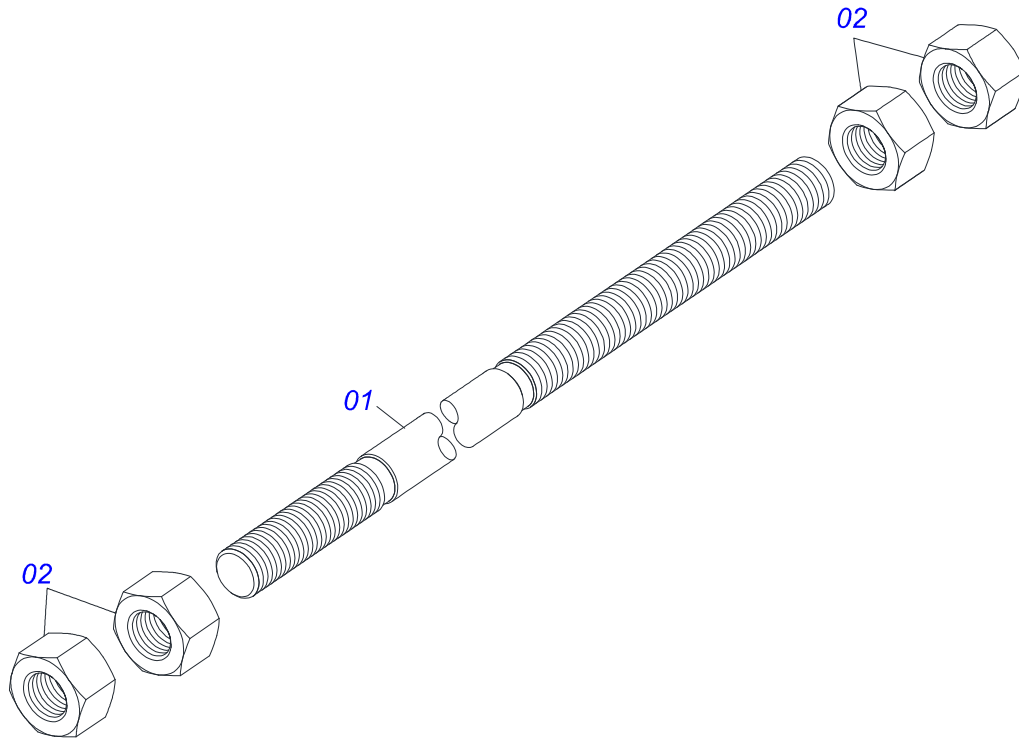
Item	Code	Description	See page	QT
32	0501010590	NIPPLE		01
33	0501011460	7/8 NF REDUCTION NIPPLE		02
34	0503010190	2-114 N 3006-9B O'RING		02
35	0501053835	FEMALE QUICK COUPLER	12	02



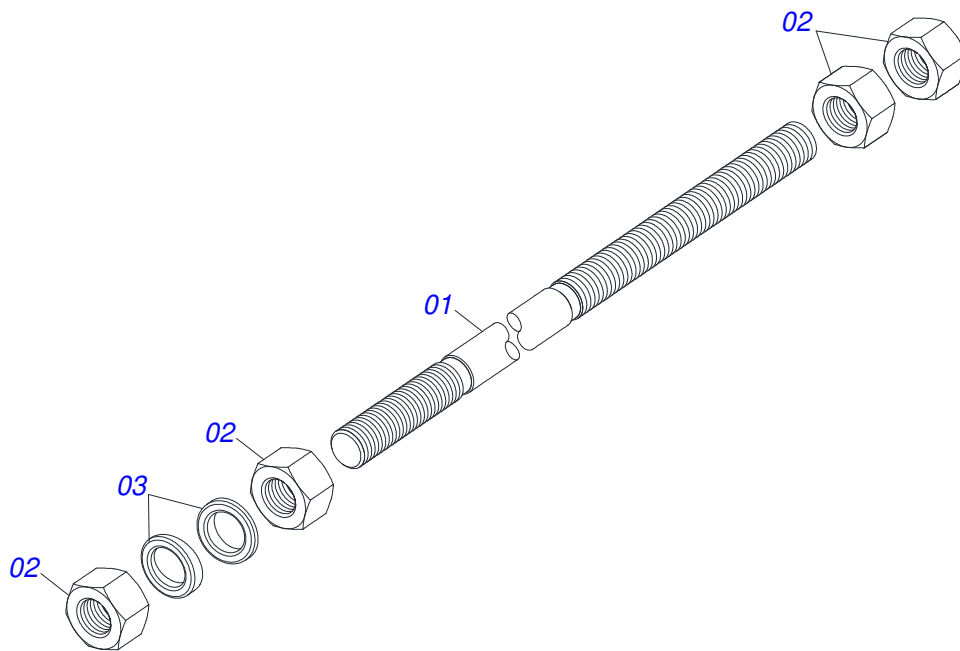
Item	Code	Description	See page	QT
01	0503011883	QUICK CONNECTION COVER		01
02	0503011628	FEMALE QUICK COUPLER		01



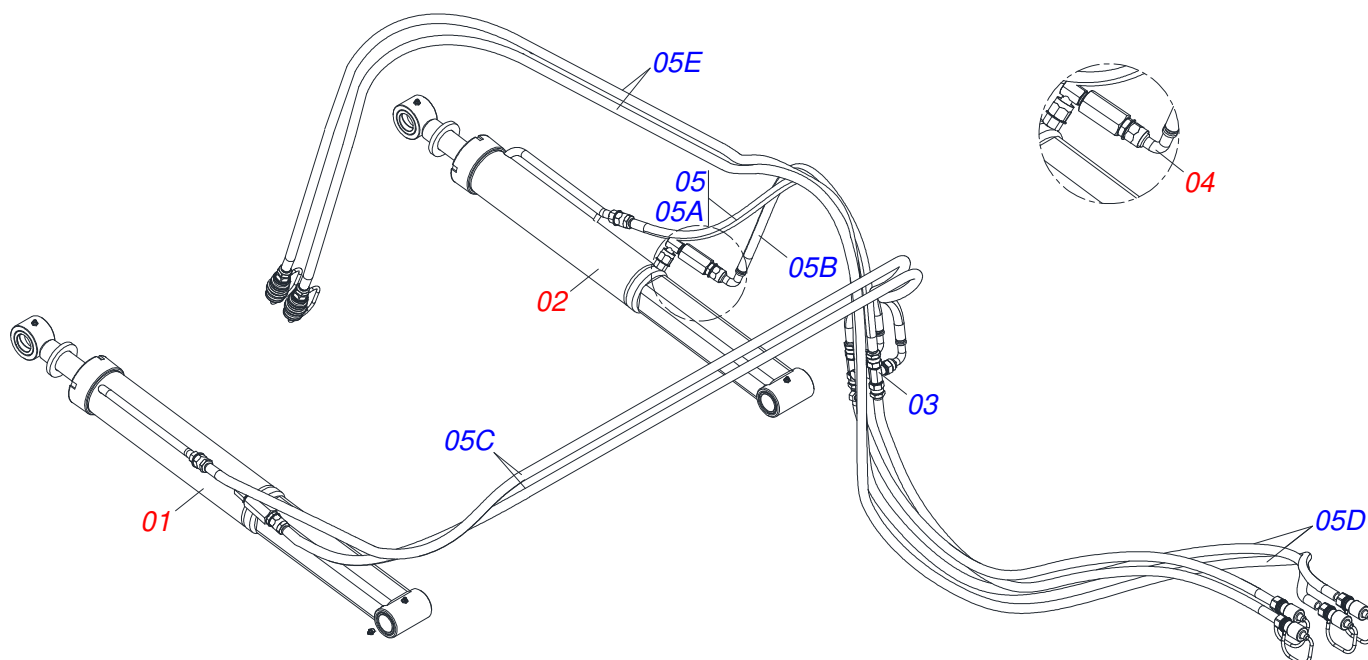
Item	Code	Description	See page	QT
01	0501100416	WOODEN BOX		01
02	0501042819	1.1/4"NC X 33.46" ROD ASSY	14	01
03	0501041427	1.1/4" NC X 1540 ASSY ROD	15	02
04	0581014711	GUIDE BAR		02
05	0521067949	GUIDES LEFT FIXER		01
06	0521067948	GUIDE RIGHT FIXER		01
07	0581014710	SPACING BUSHING		02
08	0581014704	MOUNTING PLATE		01
09	0581013410	1.1/4" UNF X 155 BOLT		04
10	0581013378	GREASE SCREW		02
11	0501010574	FLAT WASHER		04
12	0581010243	WASHER HEX		06
13	0909096367	HYDRAULIC CIRCUIT	16	01
14	0531017238	LOCK TRANSPORT		02
15	0501068994	8,30 X 78 LOCK PIN		02
16	0501068213	5/8" WRENCH DOUBLE		01
17	0501061617	1" GANG BOLT WRENCH		01
18	0502010477	HOSE CLAMP		05
19	0581010090	SPRING PROTECTION PLASTIC HOSE		02
20	0511032856	PACKED PARTS	17	01
21	0511033668	BAG WITH INSTRUCTION MANUAL		01



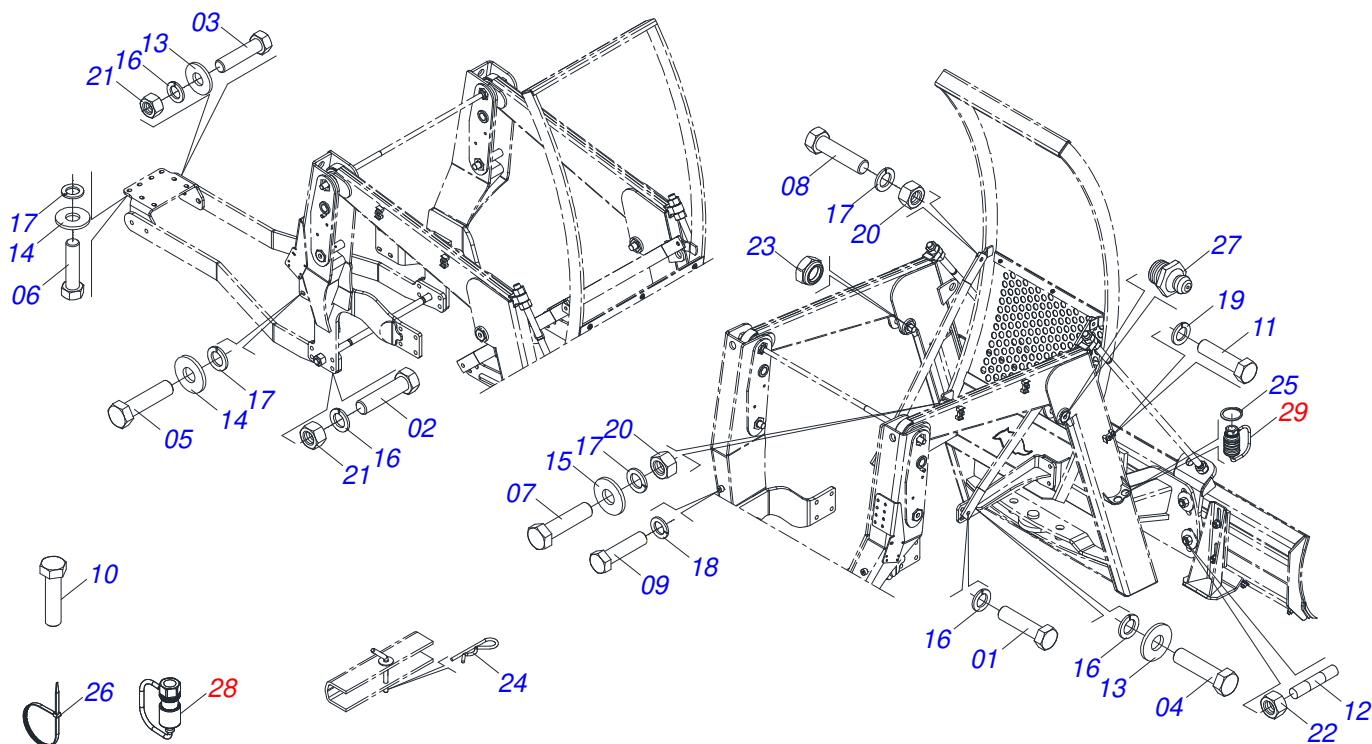
Item	Code	Description	See page	QT
01	0501018845	1.1/4" X 33.46" ROD		01
02	0501010087	1.1/4" NUT		04



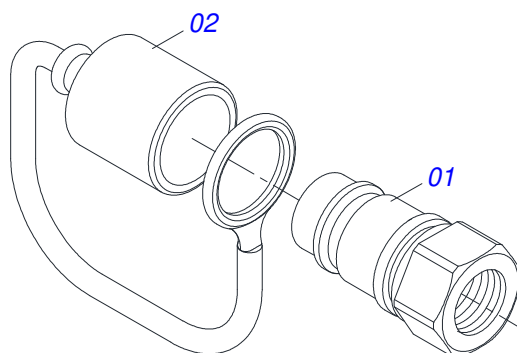
Item	Code	Description	See page	QT
01	0501014250	1.1/4" X 1540 ROD		01
02	0501010087	1.1/4" NUT		04
03	0502012180	CONICAL SPRING WASHER		02



Item	Code	Description	See page	QT
01	0521050158	44,45 X 85,72 X 1049 X 360 - LEFT HYDRAULIC CYLINDER		01
02	0521050157	44,45 X 85,72 X 1049 X 360 - RIGHT HYDRAULIC CYLINDER		01
03	0521064869	7/8UNF JIC OIL DISTRIBUTOR		01
04	0511057771	R.7/8UNF - SAFETY VALVE		02
05	0521050822	HOSE KIT		01
05A	0501080825	1/2" X 1100 TR-TC HOSE		01
05B	0501080119	HOSE		01
05C	0501080016	1/2 X 2800 TR-TC HOSE		02
05D	0501080308	1/2 X 2750 TR-TM HOSE		02
05E	0501081929	HOSE 1/2 X 4500 TM-TM		02



Item	Code	Description	See page	QT
01	0501010195	3/4" X 3-1/2" BOLT		02
02	0501010500	3/4"X3"BOLT		08
03	0501010125	3/4" X 2-1/2" BOLT		12
04	0501010098	3/4" UNC BOLT		04
05	0503011730	M16 X 2 X 60 BOLT		08
06	0503010148	M16 X 2 X 40 BOLT		08
07	0503010899	5/8" X 2-1/4" BOLT		04
08	0501010100	SCREW 5/8 UNC X 2 CS G.5 ZN		02
09	0503011239	1/2" X 2" BOLT		01
10	0501010155	1/2" X 1" BOLT		01
11	0503011135	BOLT		03
12	0561016755	PRISONER 1 UNC X 1 UNC X 76 ZN		04
13	0501010322	FLAT WASHER		08
14	0501010453	FLAT WASHER		16
15	0501012140	FLAT WASHER		04
16	0503010023	3/4" SPRING WASHER		26
17	0503010027	5/8" SPRING WASHER		22
18	0503010019	1/2" SPRING WASHER		02
19	0503010180	7/16" SPRING WASHER		03
20	0503010013	5/8" NUT		06
21	0503010014	3/4" NUT		12
22	0501010059	1.5/8 NUT		04
23	0503010044	1-1/4" SELF LOCKING NUT		06
24	0503030168	HITCH PIN CLIP		02
25	0503010217	501040 CLAMPING RING (FOR AXLE)		04
26	0503013527	CLAMP ZIPER		10
27	0503010002	1800 GREASE FITTING		06
28	0501053834	MALE QUICK COUPLER	18	04
29	0501053835	FEMALE QUICK COUPLER	12	02



Item	Code	Description	See page	QT
01	0503011627	MALE QUICK COUPLER AGR 1/2 NPT		01
02	0503011882	MALE QUICK COUPLER CAP		01



MARCHESAN

Technical Publications | Elaboration and Revision

LORENA ROCHA ALVES

www.marchesan.com.br

