

PD - FRONT LOADER

PD MF - S/A

Code: 0501093321
Series: S-0317
Revision: 00
Date Revision: JUNHO/2022

PARTS CATALOGUE



MARCHESAN



PRODUCTS

| Code | Description |
|-------------|--------------------------------------|
| 0106030444 | PD MF 4265A4290 BT CD JS ESP S-0317 |
| 0106030445 | PD MF 4265A4290 SHT CD JS ESP S-0317 |
| 0106030443 | PD MF 4275/4290 BT SC ESP S-0317 |

ATTENTION: IMPORTANT

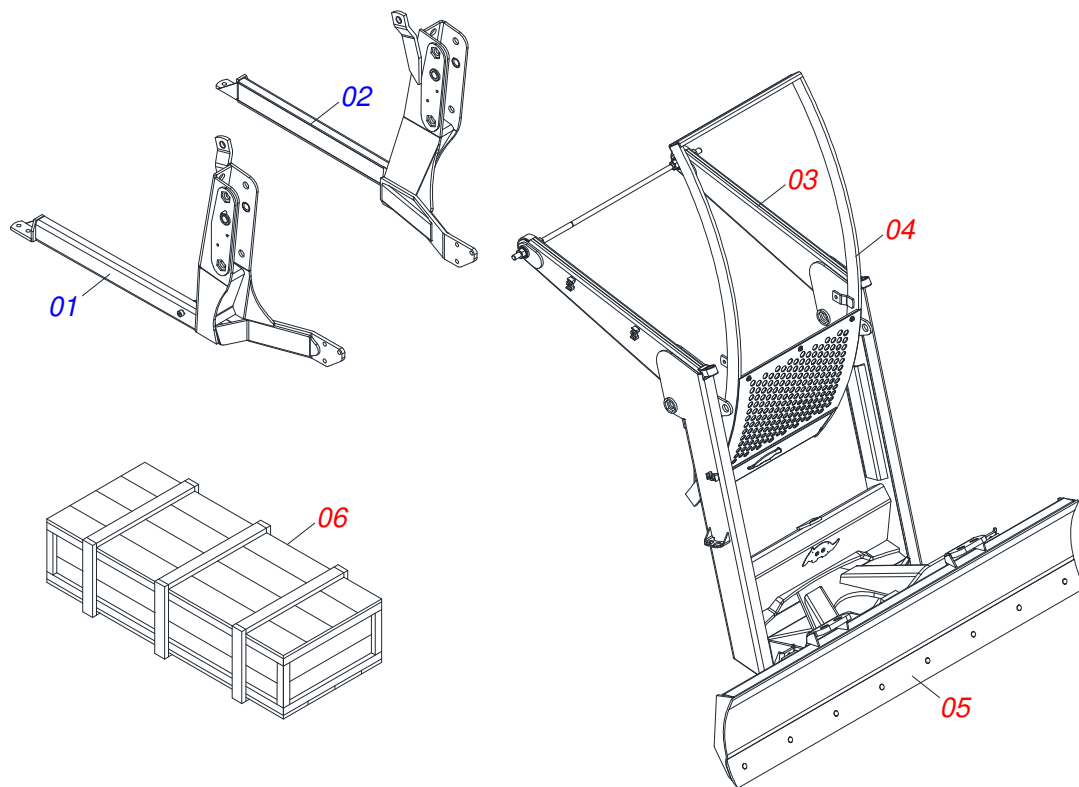
Marchesan S.A. reserves the right to improve and/or modify the technical features of its products, without obligation to do the same with those products already sold and without prior knowledge of the dealer or the consumer. The photos are only illustrative.



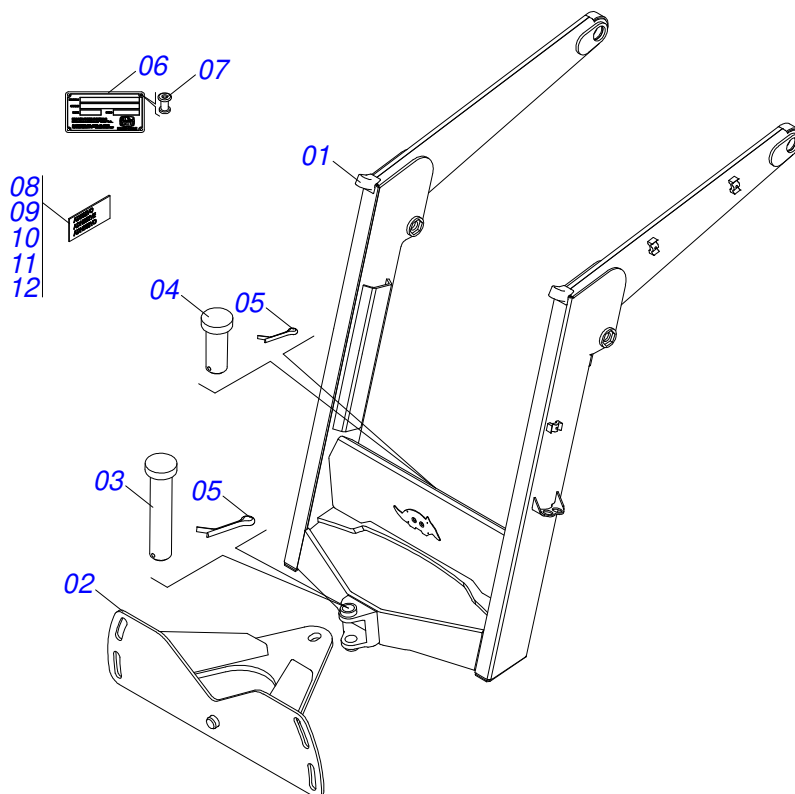
MARCHESAN

INDEX

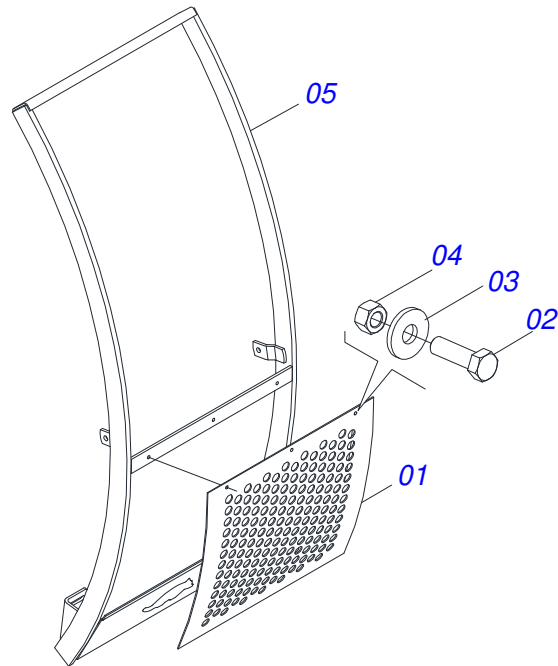
| | | | |
|------------|---|-------|----|
| 0909096399 | ASSY FRAME | | 1 |
| 0521046960 | ASSY MOVEEL SUPPORT | | 2 |
| 0501048330 | MOBILE SUPPORT GUIDE ASSY | | 3 |
| 0511047750 | 2400 SCRAPER ASSY WITH STABILIZER BRACKET | | 4 |
| 0501047708 | 2400 BLADE SUPPORT | | 5 |
| 0521023199 | BOX WITH COMPONENTS | | 6 |
| 0501043212 | ROD 1.1/4" NC X 3.818" ASSY | | 7 |
| 0501041427 | 1.1/4" NC X 1540 ASSY ROD | | 8 |
| 0909096400 | HYDRAULIC CIRCUIT | | 9 |
| 0521050157 | 44,45 X 85,72 X 1049 X 360 - RIGHT HYDRAULIC CYLINDER | | 10 |
| 0521050158 | 44,45 X 85,72 X 1049 X 360 - LEFT HYDRAULIC CYLINDER | | 11 |
| 0511057771 | R.7/8UNF - SAFETY VALVE | | 12 |
| 0511032654 | PACKED PARTS | | 13 |
| 0501053834 | MALE QUICK COUPLER | | 14 |
| 0501053835 | FEMALE QUICK COUPLER | | 15 |
| 0521023202 | BOX WITH COMPONENTS | | 16 |
| 0521045393 | SET SUPPORT JOY STICK | | 17 |
| 0521047176 | COMMAND | | 18 |
| 0909096401 | HYDRAULIC CIRCUIT | | 19 |
| 0511032655 | PACKED PARTS | | 20 |
| 0521023203 | BOX WITH COMPONENTS | | 21 |
| 0521047177 | 1/2 COMMAND | | 22 |
| 0521046987 | FULL OIL RESERVOIR | | 23 |
| 0521050247 | R.7/8 LARGER RETURN FILTER | | 24 |
| 0501059935 | PUMP WITH SUCTION AND PRESSURE DUCTS | | 25 |
| 0909096402 | HYDRAULIC CIRCUIT | | 26 |
| 0511032656 | PACKED PARTS | | 27 |



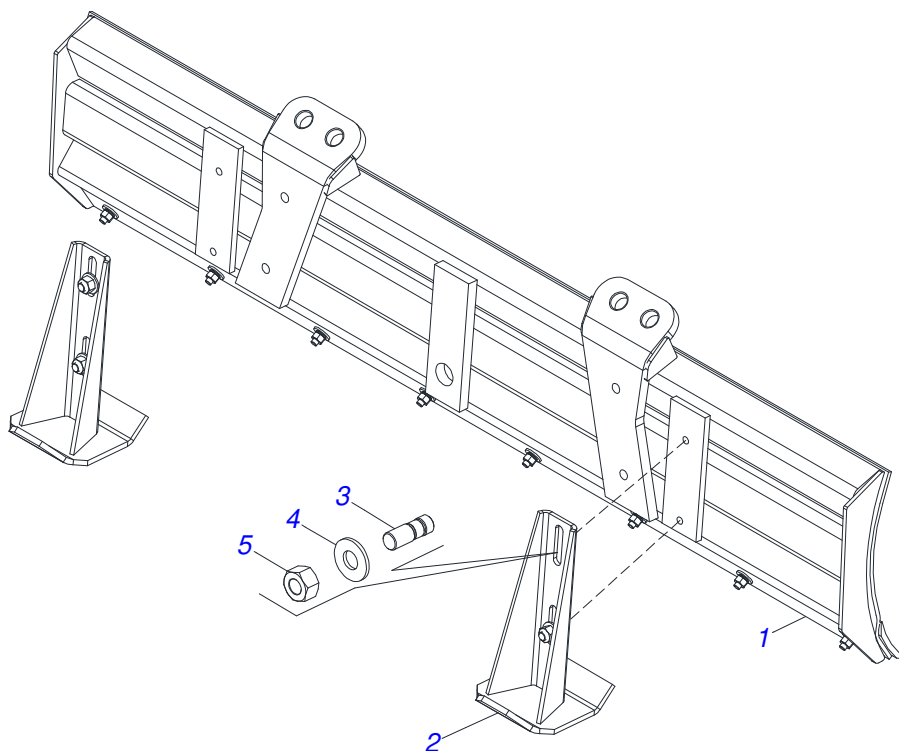
| Item | Code | Description | See page | QT |
|------|------------|---|----------|----|
| 01 | 0521067702 | RIGHT FRAME | | 01 |
| 02 | 0521067703 | LEFT FRAME | | 01 |
| 03 | 0521046960 | ASSY MOVEL SUPPORT | 2 | 01 |
| 04 | 0501048330 | MOBILE SUPPORT GUIDE ASSY | 3 | 01 |
| 05 | 0511047750 | 2400 SCRAPER ASSY WITH STABILIZER BRACKET | 4 | 01 |
| 06 | 0521023199 | BOX WITH COMPONENTS | 6 | 01 |
| 06. | 0521023202 | BOX WITH COMPONENTS | 16 | 01 |
| 06.. | 0521023203 | BOX WITH COMPONENTS | 21 | 01 |



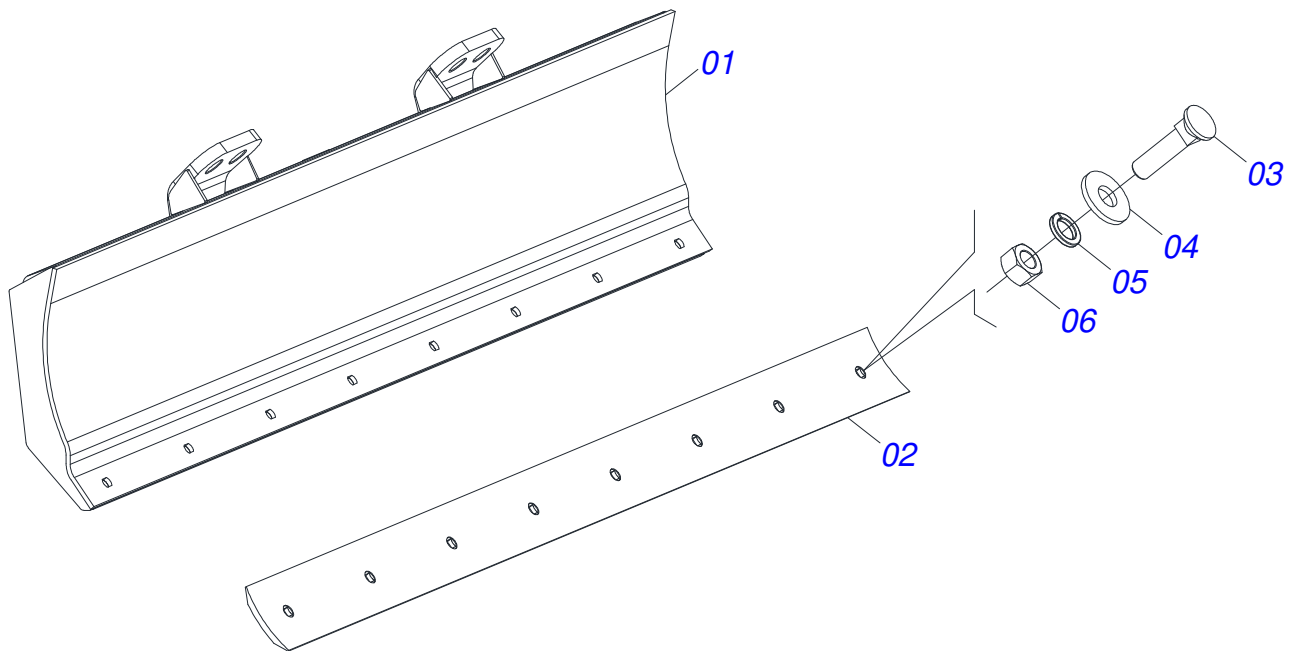
| Item | Code | Description | See page | QT |
|------|------------|-------------------------------------|----------|----|
| 01 | 0521067528 | MOBILE SUPPORT | | 01 |
| 02 | 0501063368 | REGULATOR SUPPORT | | 01 |
| 03 | 0521010618 | 1.4" X 8.6" COUPLING SHAFT | | 01 |
| 04 | 0521010612 | 1.4" X 3.5" COUPLING SHAFT | | 01 |
| 05 | 0503010010 | 1/4" X 2.1/2" COTTERPIN | | 02 |
| 06 | 0503034003 | SERIAL NUMBER TAG 61 X 118 | | 01 |
| 07 | 0503010001 | 3.2 X 5.5 RIVET | | 04 |
| 08 | 0503031428 | READ MANUAL DECAL | | 01 |
| 09 | 0503031827 | LUBRICATE AND RETIGHTEN DAILY DECAL | | 01 |
| 10 | 0503062270 | SET LABEL ADHESIVE | | 01 |
| 11 | 0503034078 | LIFTING POINTS DECAL | | 03 |
| 12 | 0503031087 | ADHESIVE LABEL | | 01 |



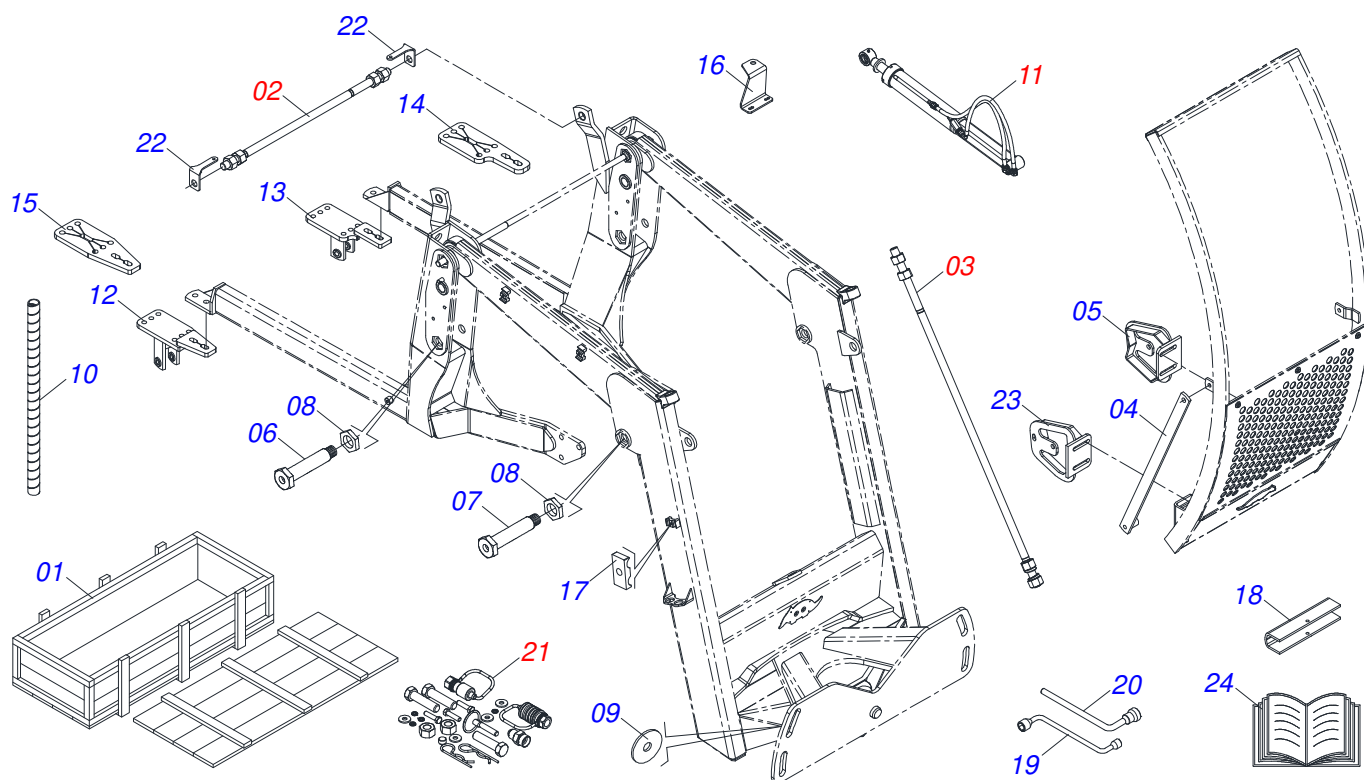
| Item | Code | Description | See page | QT |
|------|------------|-----------------------------|----------|----|
| 01 | 0501014686 | FRONT PROTECTION | | 01 |
| 02 | 0503010751 | C3/8" X 1.1/4" HEX BOLT G.5 | | 03 |
| 03 | 0501010984 | FLAT WASHER | | 03 |
| 04 | 0503010026 | 3/8" NUT | | 03 |
| 05 | 0511061998 | MOBILE SUPPORT GUIDE | | 01 |



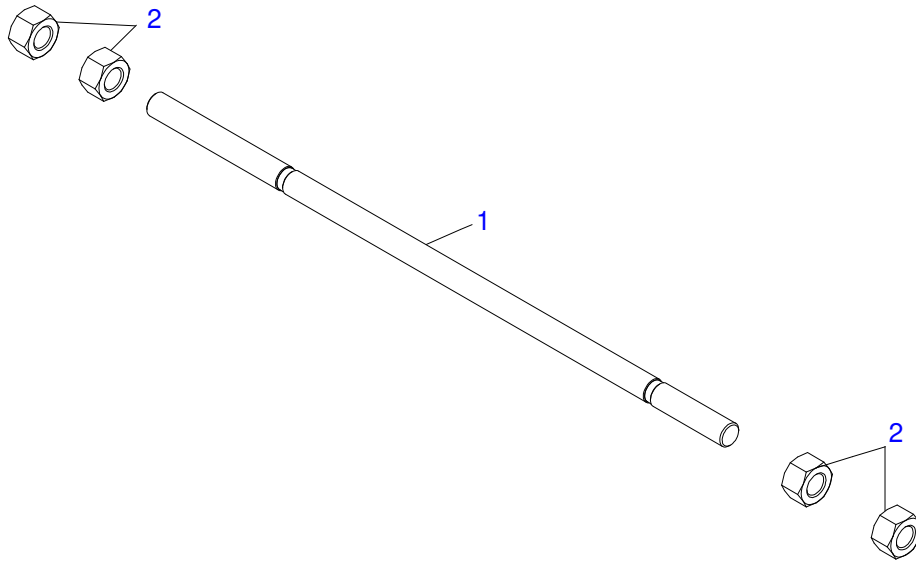
| Item | Code | Description | See page | QT |
|------|------------|---------------------------------|----------|----|
| 01 | 0501047708 | 2400 BLADE SUPPORT | 5 | 01 |
| 02 | 0501063411 | ESTABILIZER BRACKET | | 02 |
| 03 | 0561016756 | 3/4 UNC X 3/4 UNC X 56 PRISONER | | 04 |
| 04 | 0501010322 | FLAT WASHER | | 04 |
| 05 | 0503010014 | 3/4" NUT | | 04 |



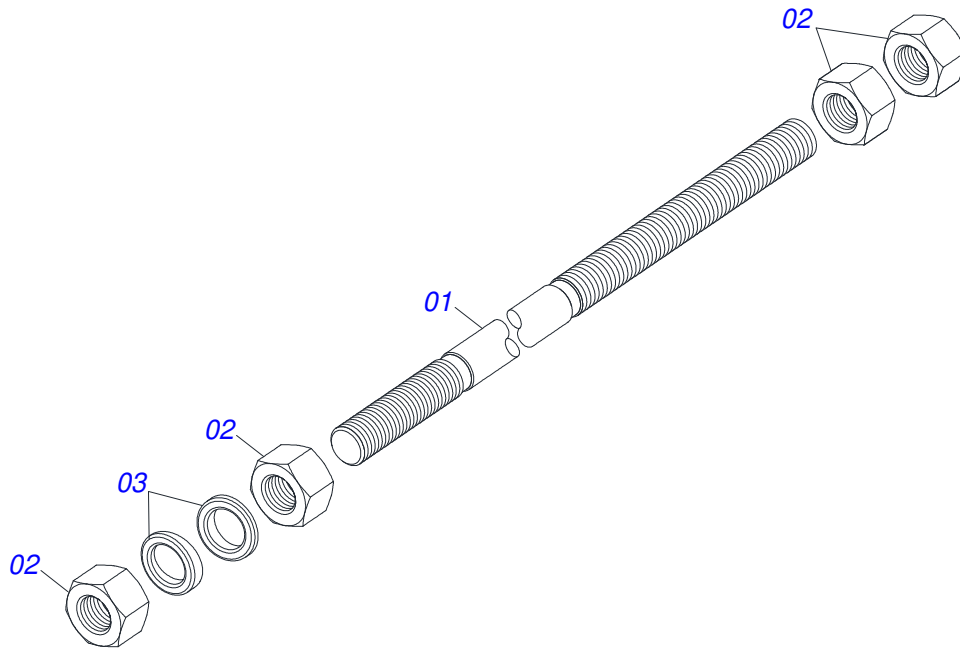
| Item | Code | Description | See page | QT |
|------|------------|--------------------------|----------|----|
| 01 | 0501067999 | 2390 BLADE SUPPORT | | 01 |
| 02 | 0622360016 | 94.5" SCRAPER REVERSIBLE | | 01 |
| 03 | 0501012240 | BOLT | | 08 |
| 04 | 0501012140 | FLAT WASHER | | 08 |
| 05 | 0503011445 | SPRING WASHER | | 08 |
| 06 | 0503010013 | 5/8" NUT | | 08 |



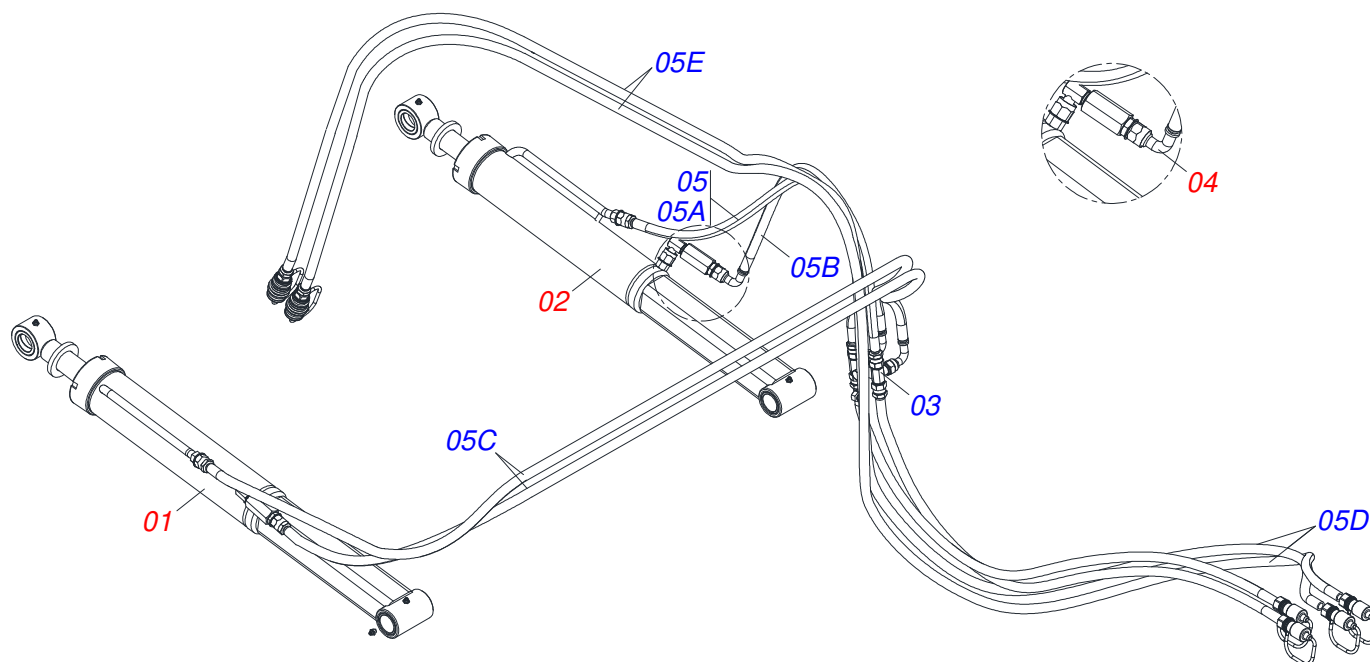
| Item | Code | Description | See page | QT |
|------|------------|--------------------------------|----------|----|
| 01 | 0501100416 | WOODEN BOX | | 01 |
| 02 | 0501043212 | ROD 1.1/4" NC X 3.818" ASSY | 7 | 01 |
| 03 | 0501041427 | 1.1/4" NC X 1540 ASSY ROD | 8 | 02 |
| 04 | 0521063340 | ANGULAR SUPPORT WITH SLEEVE | | 02 |
| 05 | 0521061644 | LEFT GUIDE MOVEL SUPPORT | | 01 |
| 06 | 0581013410 | 1.1/4" UNF X 155 BOLT | | 04 |
| 07 | 0581013378 | GREASE SCREW | | 02 |
| 08 | 0581010243 | WASHER HEX | | 06 |
| 09 | 0501010574 | FLAT WASHER | | 04 |
| 10 | 0581010090 | SPRING PROTECTION PLASTIC HOSE | | 02 |
| 11 | 0909096400 | HYDRAULIC CIRCUIT | 9 | 01 |
| 12 | 0521061641 | FRAME BRACKET | | 01 |
| 13 | 0521063770 | LEFT BRACKET | | 01 |
| 14 | 0571013046 | BRACKET | | 01 |
| 15 | 0561016408 | FRAME BRACKET | | 01 |
| 16 | 0561016418 | SUPPORT TANK OIL | | 01 |
| 17 | 0502010477 | HOSE CLAMP | | 07 |
| 18 | 0531017238 | LOCK TRANSPORT | | 02 |
| 19 | 0501068213 | 5/8" WRENCH DOUBLE | | 01 |
| 20 | 0501061617 | 1" GANG BOLT WRENCH | | 01 |
| 21 | 0511032654 | PACKED PARTS | 13 | 01 |
| 22 | 0561010051 | HEADLIGHT SUPPORT | | 02 |
| 23 | 0521061643 | MOBILE SUPPORT RIGHT GUIDE | | 01 |
| 24 | 0511033668 | BAG WITH INSTRUCTION MANUAL | | 01 |



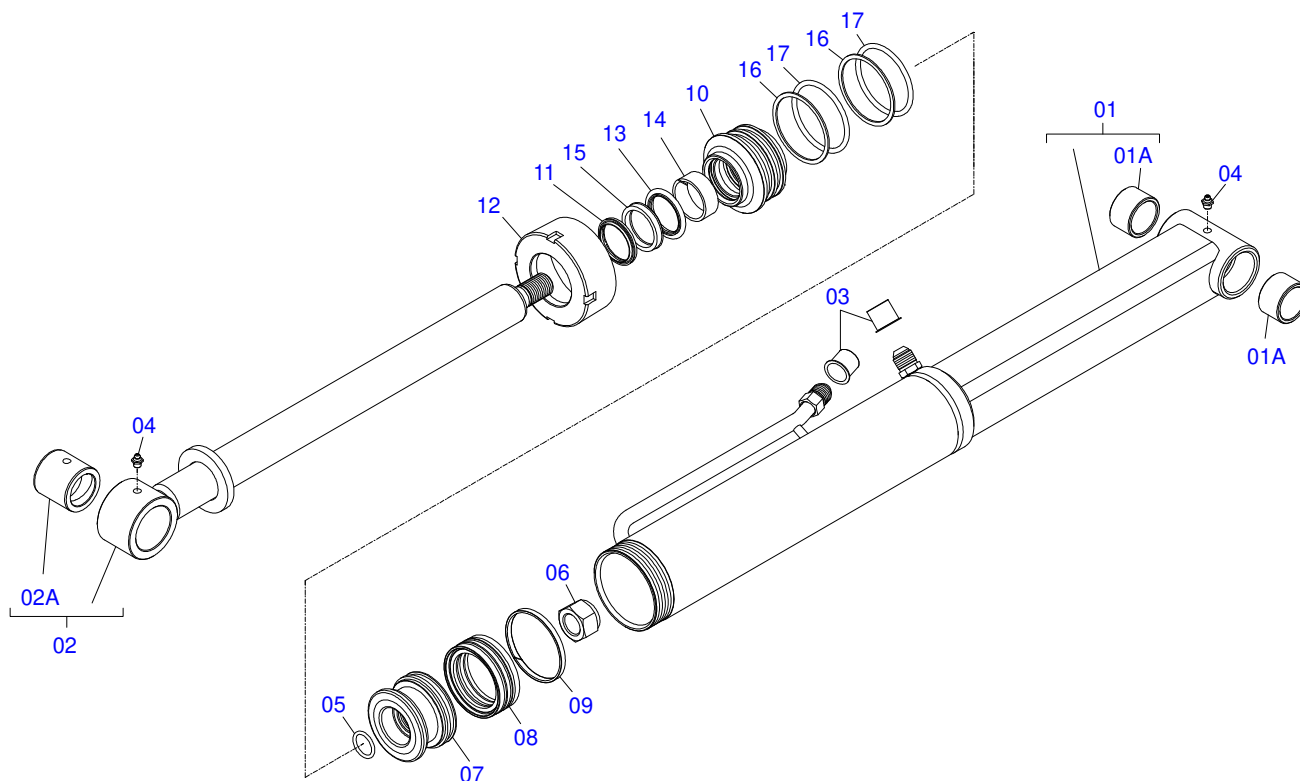
| Item | Code | Description | See page | QT |
|------|------------|------------------------|----------|----|
| 01 | 0501014915 | ROD 1.1/4" NC X 3.818" | | 01 |
| 02 | 0501010087 | 1.1/4" NUT | | 04 |



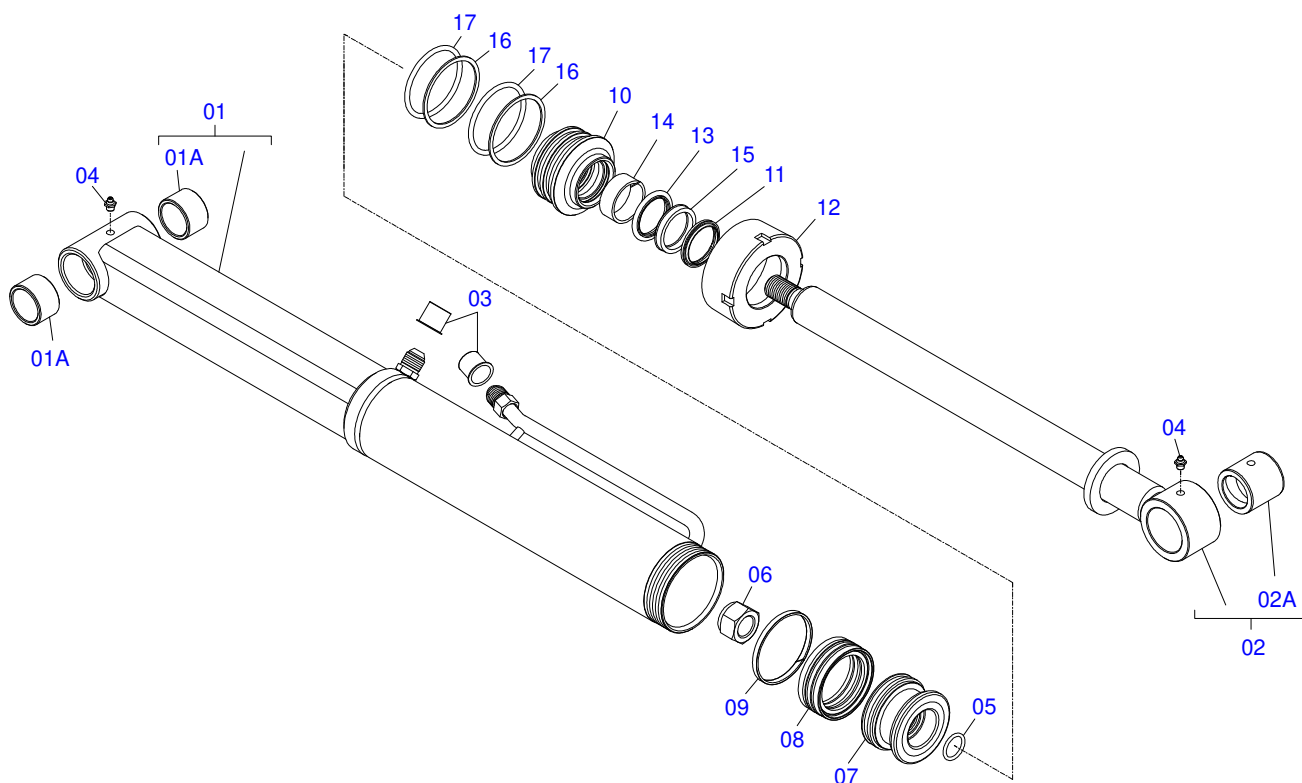
| Item | Code | Description | See page | QT |
|------|------------|-----------------------|----------|----|
| 01 | 0501014250 | 1.1/4" X 1540 ROD | | 01 |
| 02 | 0501010087 | 1.1/4" NUT | | 04 |
| 03 | 0502012180 | CONICAL SPRING WASHER | | 02 |



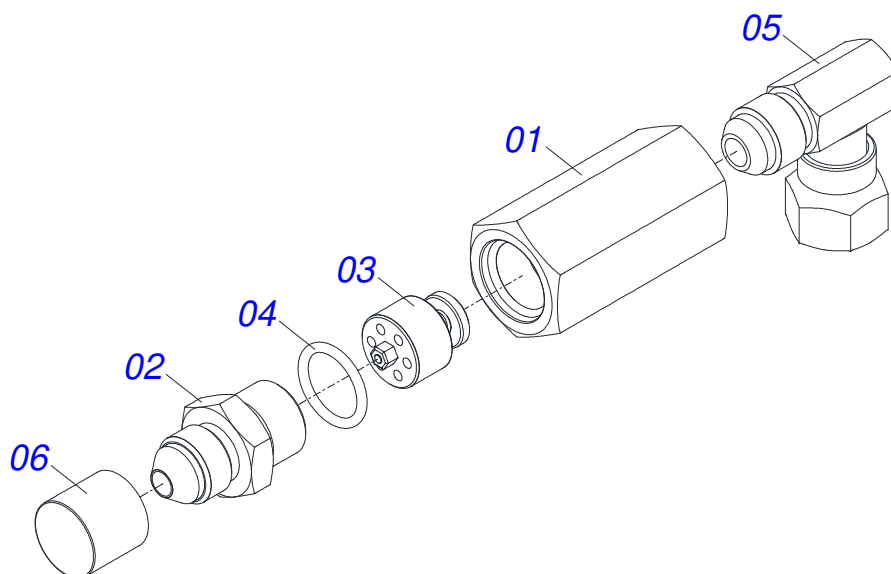
| Item | Code | Description | See page | QT |
|------|------------|---|----------|----|
| 01 | 0521050158 | 44,45 X 85,72 X 1049 X 360 - LEFT HYDRAULIC CYLINDER | 11 | 01 |
| 02 | 0521050157 | 44,45 X 85,72 X 1049 X 360 - RIGHT HYDRAULIC CYLINDER | 10 | 01 |
| 03 | 0521064869 | 7/8UNF JIC OIL DISTRIBUTOR | | 01 |
| 04 | 0511057771 | R.7/8UNF - SAFETY VALVE | 12 | 02 |
| 05 | 0521050822 | HOSE KIT | | 01 |
| 05A | 0501080825 | 1/2" X 1100 TR-TC HOSE | | 01 |
| 05B | 0501080119 | HOSE | | 01 |
| 05C | 0501080016 | 1/2 X 2800 TR-TC HOSE | | 02 |
| 05D | 0501080308 | 1/2 X 2750 TR-TM HOSE | | 02 |
| 05E | 0501081929 | HOSE 1/2 X 4500 TM-TM | | 02 |



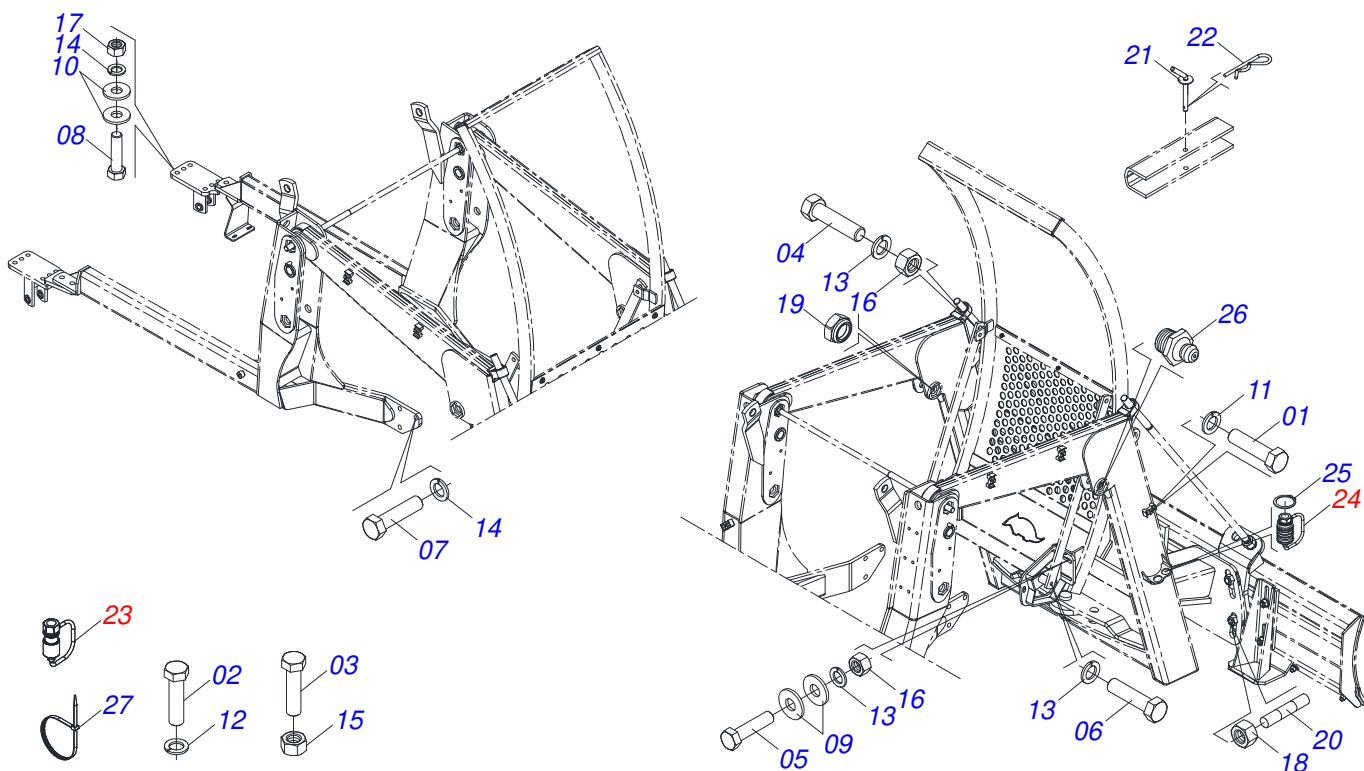
| Item | Code | Description | See page | QT |
|------|------------|------------------------------------|----------|----|
| 01 | 0521067430 | CYLINDER BODY | | 01 |
| 01A | 0541014740 | SLEEVE | | 02 |
| 02 | 0521067431 | 44,45 X 590 EXTENDER - PD VTR A750 | | 01 |
| 02A | 0521010514 | 38,1 X 52,9 X 50 SLEEVE INTER | | 01 |
| 03 | 0503030387 | PLUG | | 02 |
| 04 | 0503010002 | 1800 GREASE FITTING | | 02 |
| 05 | 0503010042 | 2-214 N 3006-9B O'RING | | 01 |
| 06 | 0503010063 | 1" SELF-ALIGNING NUT | | 01 |
| 07 | 0571019710 | 1.7" X 3.4" PISTON | | 01 |
| 08 | 0503017935 | RING | | 01 |
| 09 | 0503018144 | RING | | 01 |
| 10 | 0571019711 | RING SUPPORT | | 01 |
| 11 | 0503010761 | D-1750 SCRAPER RING | | 01 |
| 12 | 0571019709 | DETACHABLE COVER | | 01 |
| 13 | 0503017936 | RING | | 01 |
| 14 | 0503017938 | RING GUIDE | | 01 |
| 15 | 0503017937 | GASKET | | 01 |
| 16 | 0503017940 | 8-337 BACK-UP RING | | 02 |
| 17 | 0503017939 | 2-337 N 3006-9B O' RING | | 02 |



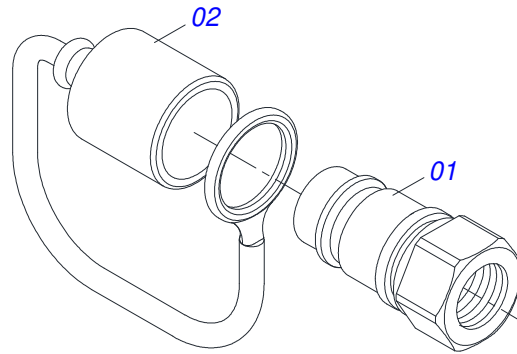
| Item | Code | Description | See page | QT |
|------|------------|--|----------|----|
| 01 | 0521067429 | 85,72 X 468 7/8 LEFT CYLINDER BODY - PD VTR A750 | | 01 |
| 01A | 0541014740 | SLEEVE | | 02 |
| 02 | 0521067431 | 44,45 X 590 EXTENDER - PD VTR A750 | | 01 |
| 02A | 0521010514 | 38,1 X 52,9 X 50 SLEEVE INTER | | 01 |
| 03 | 0503030387 | PLUG | | 02 |
| 04 | 0503010002 | 1800 GREASE FITTING | | 02 |
| 05 | 0503010042 | 2-214 N 3006-9B O'RING | | 01 |
| 06 | 0503010063 | 1" SELF-ALIGNING NUT | | 01 |
| 07 | 0571019710 | 1.7" X 3.4" PISTON | | 01 |
| 08 | 0503017935 | RING | | 01 |
| 09 | 0503018144 | RING | | 01 |
| 10 | 0571019711 | RING SUPPORT | | 01 |
| 11 | 0503010761 | D-1750 SCRAPER RING | | 01 |
| 12 | 0571019709 | DETACHABLE COVER | | 01 |
| 13 | 0503017936 | RING | | 01 |
| 14 | 0503017938 | RING GUIDE | | 01 |
| 15 | 0503017937 | GASKET | | 01 |
| 16 | 0503017940 | 8-337 BACK-UP RING | | 02 |
| 17 | 0503017939 | 2-337 N 3006-9B O' RING | | 02 |



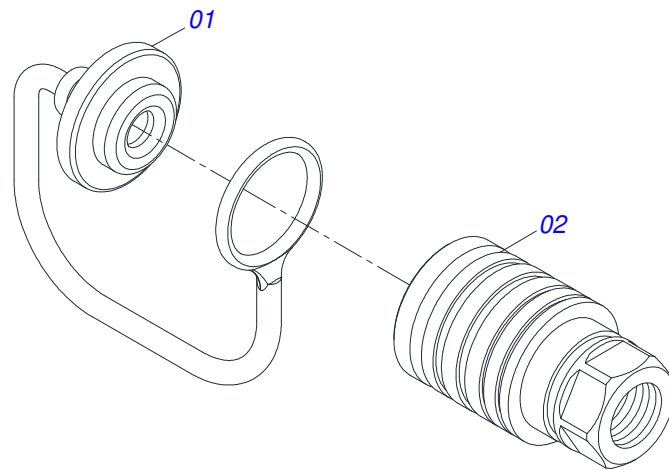
| Item | Code | Description | See page | QT |
|------|------------|---|----------|----|
| 01 | 0503018033 | 37 X R.7/8 UNF 90° JIC MALE CONNECTOR WITH ROTATING NUT | | 01 |
| 02 | 0581014053 | 1/2 BSP X 7/8 UNF JIC X 64 ADAPTER | | 01 |
| 03 | 0503016854 | VALVE ASSY | | 01 |
| 04 | 0503010045 | O'RING | | 01 |
| 05 | 0581014052 | 1/2 BSP X 7/8 UNF JIC X 43 NIPLE | | 01 |
| 06 | 0503030387 | PLUG | | 01 |



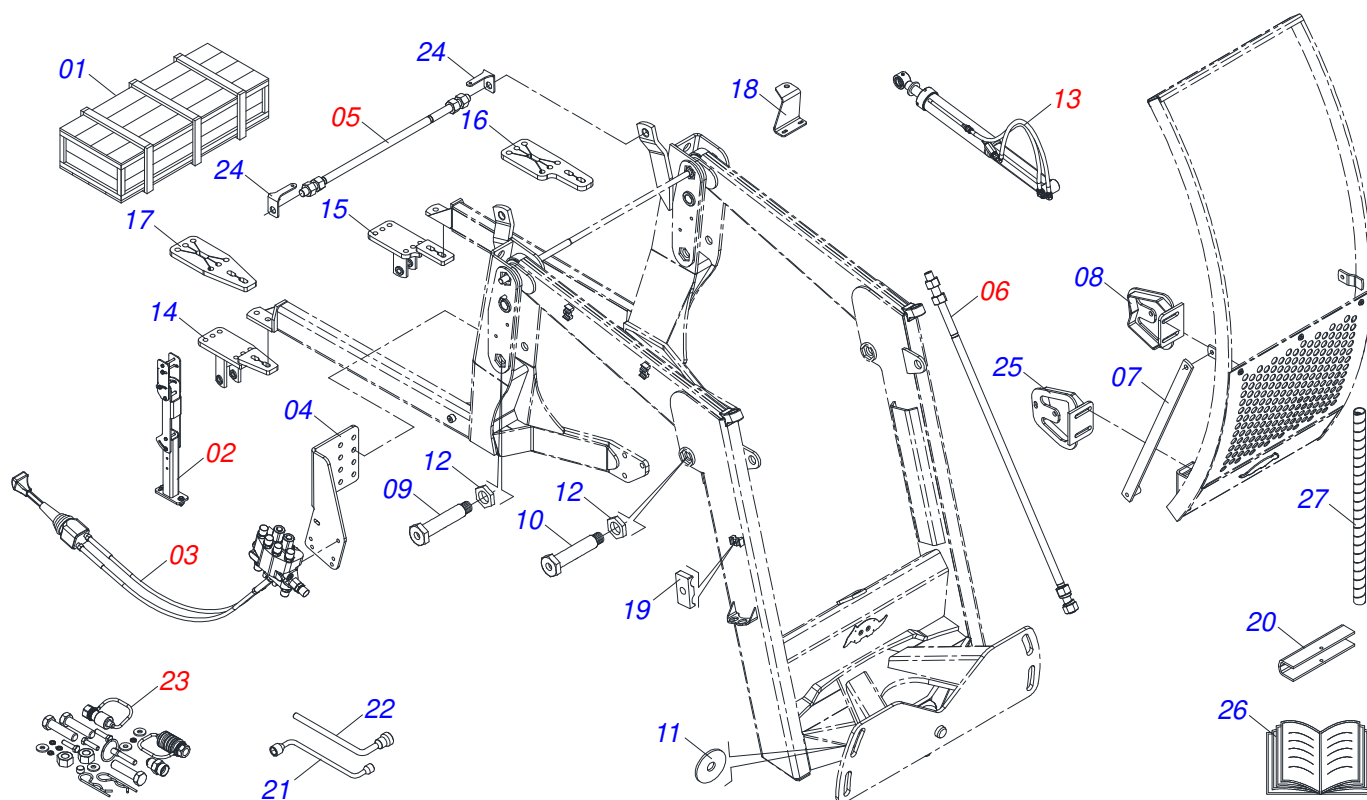
| Item | Code | Description | See page | QT |
|------|------------|---------------------------------|----------|----|
| 01 | 0503011135 | BOLT | | 04 |
| 02 | 0501010155 | 1/2" X 1" BOLT | | 01 |
| 03 | 0503010479 | BOLT | | 01 |
| 04 | 0501010100 | SCREW 5/8 UNC X 2 CS G.5 ZN | | 04 |
| 05 | 0503010899 | 5/8" X 2-1/4" BOLT | | 04 |
| 06 | 0501010163 | 5/8" X 4-1/2" BOLT | | 02 |
| 07 | 0501010098 | 3/4" UNC BOLT | | 06 |
| 08 | 0501010500 | 3/4"X3"BOLT | | 04 |
| 09 | 0501012140 | FLAT WASHER | | 08 |
| 10 | 0501010322 | FLAT WASHER | | 08 |
| 11 | 0503010180 | 7/16" SPRING WASHER | | 04 |
| 12 | 0503010019 | 1/2" SPRING WASHER | | 02 |
| 13 | 0503010027 | 5/8" SPRING WASHER | | 08 |
| 14 | 0503010023 | 3/4" SPRING WASHER | | 10 |
| 15 | 0503010060 | 1/2" NUT | | 01 |
| 16 | 0503010013 | 5/8" NUT | | 06 |
| 17 | 0503010014 | 3/4" NUT | | 04 |
| 18 | 0501010059 | 1.5/8 NUT | | 04 |
| 19 | 0503010044 | 1-1/4" SELF LOCKING NUT | | 06 |
| 20 | 0561016755 | PRISONER 1 UNC X 1 UNC X 76 ZN | | 04 |
| 21 | 0501068994 | 8,30 X 78 LOCK PIN | | 02 |
| 22 | 0503030012 | HITCH PIN CLIP | | 02 |
| 23 | 0501053834 | MALE QUICK COUPLER | 14 | 04 |
| 24 | 0501053835 | FEMALE QUICK COUPLER | 15 | 02 |
| 25 | 0503010217 | 501040 CLAMPING RING (FOR AXLE) | | 04 |
| 26 | 0503010002 | 1800 GREASE FITTING | | 06 |
| 27 | 0503013527 | CLAMP ZIPER | | 10 |



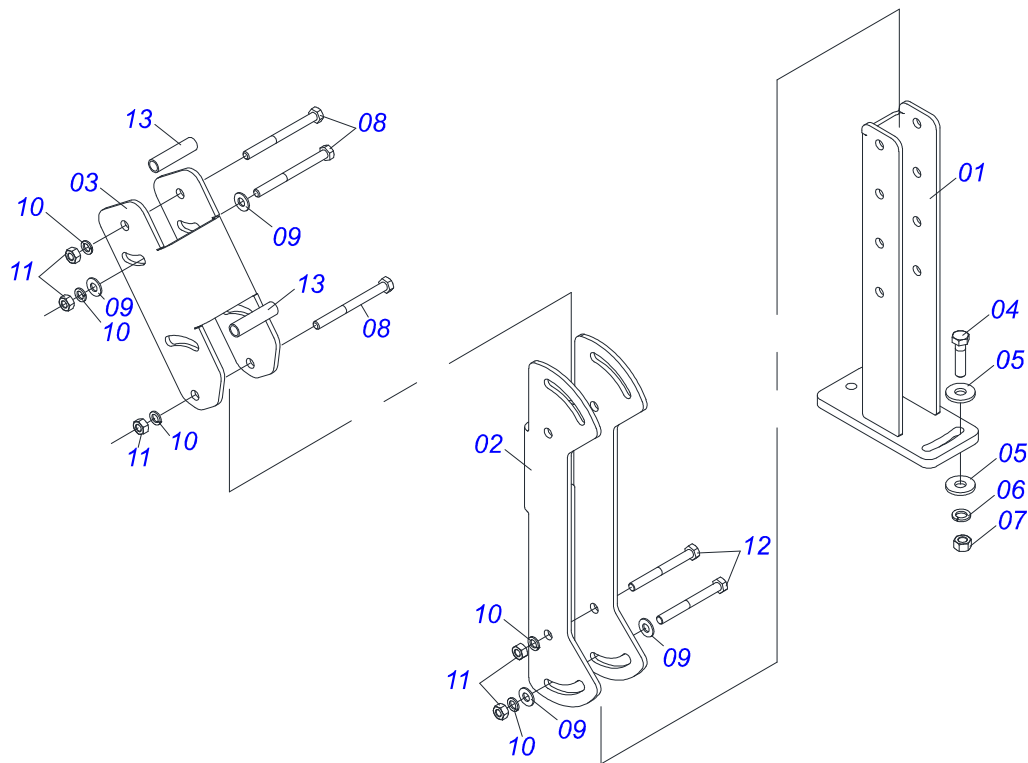
| Item | Code | Description | See page | QT |
|------|------------|--------------------------------|----------|----|
| 01 | 0503011627 | MALE QUICK COUPLER AGR 1/2 NPT | | 01 |
| 02 | 0503011882 | MALE QUICK COUPLER CAP | | 01 |



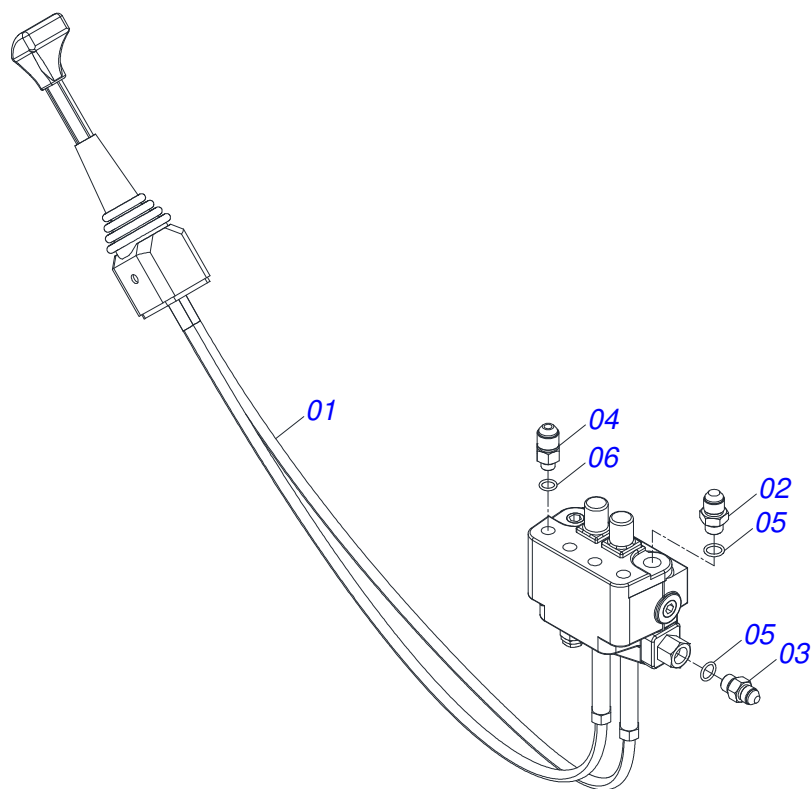
| Item | Code | Description | See page | QT |
|------|------------|------------------------|----------|----|
| 01 | 0503011883 | QUICK CONNECTION COVER | | 01 |
| 02 | 0503011628 | FEMALE QUICK COUPLER | | 01 |



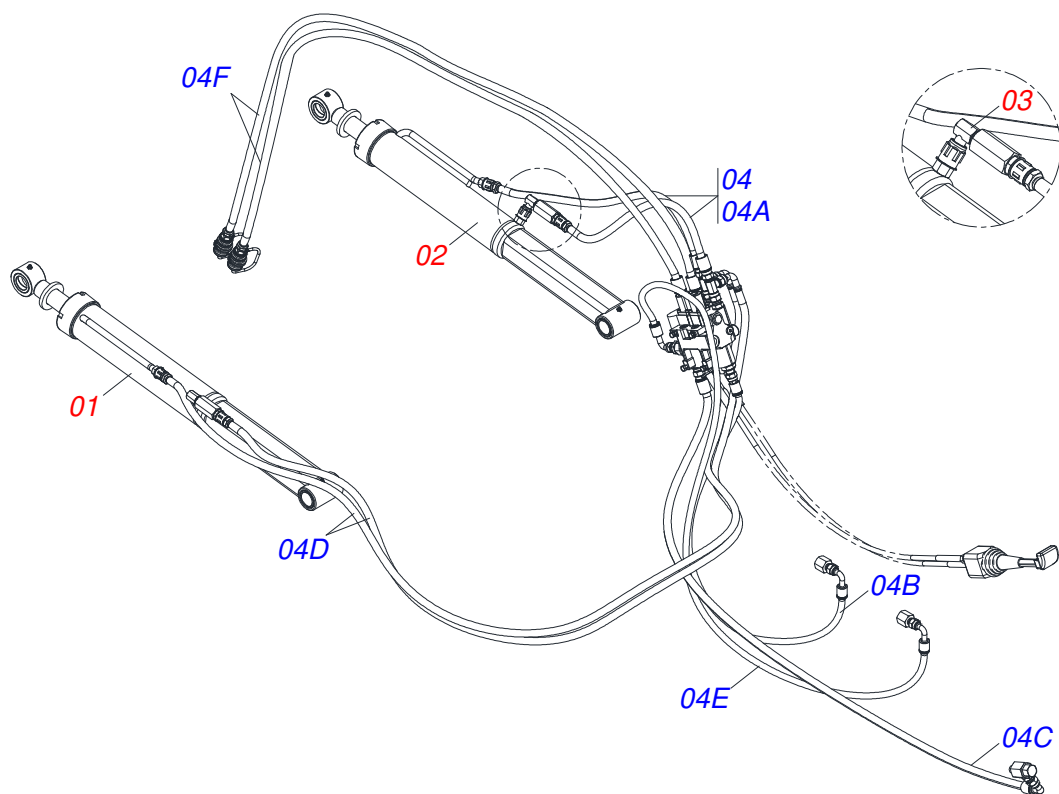
| Item | Code | Description | See page | QT |
|------|------------|--------------------------------|----------|----|
| 01 | 0501100416 | WOODEN BOX | | 01 |
| 02 | 0521045393 | SET SUPPORT JOY STICK | 17 | 01 |
| 03 | 0521047176 | COMMAND | 18 | 01 |
| 04 | 0581014119 | FIXER BASE | | 01 |
| 05 | 0501043212 | ROD 1.1/4" NC X 3.818" ASSY | 7 | 01 |
| 06 | 0501041427 | 1.1/4" NC X 1540 ASSY ROD | 8 | 02 |
| 07 | 0521063340 | ANGULAR SUPPORT WITH SLEEVE | | 02 |
| 08 | 0521061644 | LEFT GUIDE MOVEL SUPPORT | | 01 |
| 09 | 0581013410 | 1.1/4" UNF X 155 BOLT | | 04 |
| 10 | 0581013378 | GREASE SCREW | | 02 |
| 11 | 0501010574 | FLAT WASHER | | 04 |
| 12 | 0581010243 | WASHER HEX | | 06 |
| 13 | 0909096401 | HYDRAULIC CIRCUIT | 19 | 01 |
| 14 | 0521061641 | FRAME BRACKET | | 01 |
| 15 | 0521063770 | LEFT BRACKET | | 01 |
| 16 | 0571013046 | BRACKET | | 01 |
| 17 | 0561016408 | FRAME BRACKET | | 01 |
| 18 | 0561016418 | SUPPORT TANK OIL | | 01 |
| 19 | 0502010477 | HOSE CLAMP | | 04 |
| 20 | 0531017238 | LOCK TRANSPORT | | 02 |
| 21 | 0501068213 | 5/8" WRENCH DOUBLE | | 01 |
| 22 | 0501061617 | 1" GANG BOLT WRENCH | | 01 |
| 23 | 0511032655 | PACKED PARTS | 20 | 01 |
| 24 | 0561010051 | HEADLIGHT SUPPORT | | 02 |
| 25 | 0521061643 | MOBILE SUPPORT RIGHT GUIDE | | 01 |
| 26 | 0511033668 | BAG WITH INSTRUCTION MANUAL | | 01 |
| 27 | 0581010090 | SPRING PROTECTION PLASTIC HOSE | | 02 |



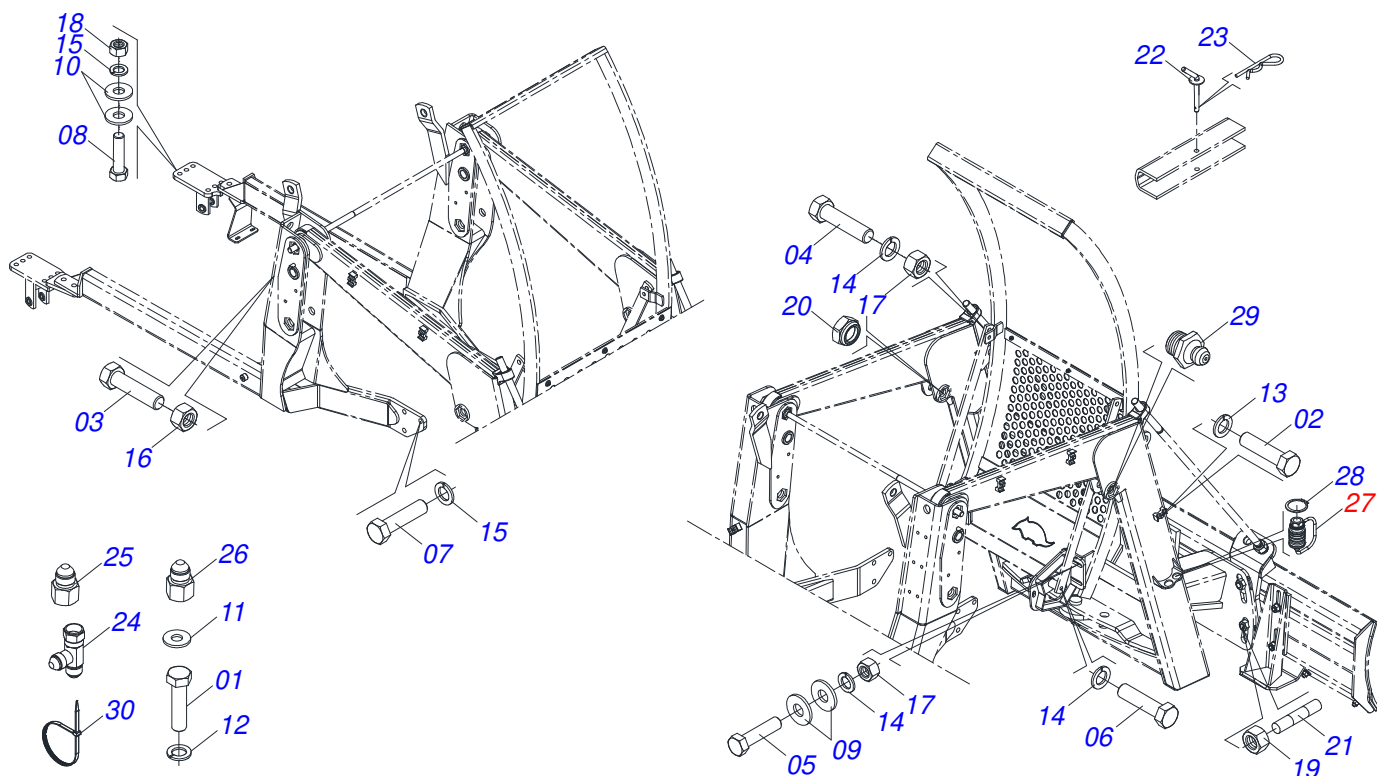
| Item | Code | Description | See page | QT |
|------|------------|--------------------------------------|----------|----|
| 01 | 0521065789 | LOWER JOYSTICK SUPPORT | | 01 |
| 02 | 0571018376 | CENTRAL BODY SUPPLEMENT OF JOYSTICK | | 01 |
| 03 | 0571018375 | SUPERIOR BODY SUPPLEMENT OF JOYSTICK | | 01 |
| 04 | 0503010849 | 3/8" X 1-1/2" BOLT | | 02 |
| 05 | 0501010984 | FLAT WASHER | | 02 |
| 06 | 0503010025 | 3/8" SPRING WASHER | | 02 |
| 07 | 0503010026 | 3/8" NUT | | 02 |
| 08 | 0503010848 | 5/16" X 3.1/2" BOLT | | 04 |
| 09 | 0501010694 | FLAT WASHER | | 06 |
| 10 | 0503010179 | LOCK WASHER | | 06 |
| 11 | 0503010337 | 5/16" NUT | | 06 |
| 12 | 0503011053 | 5/16" X 3" C S 6.5 ZN BOLT | | 02 |
| 13 | 0541015551 | 0.39" X 0.512" X 1.9" SLEEVE | | 02 |



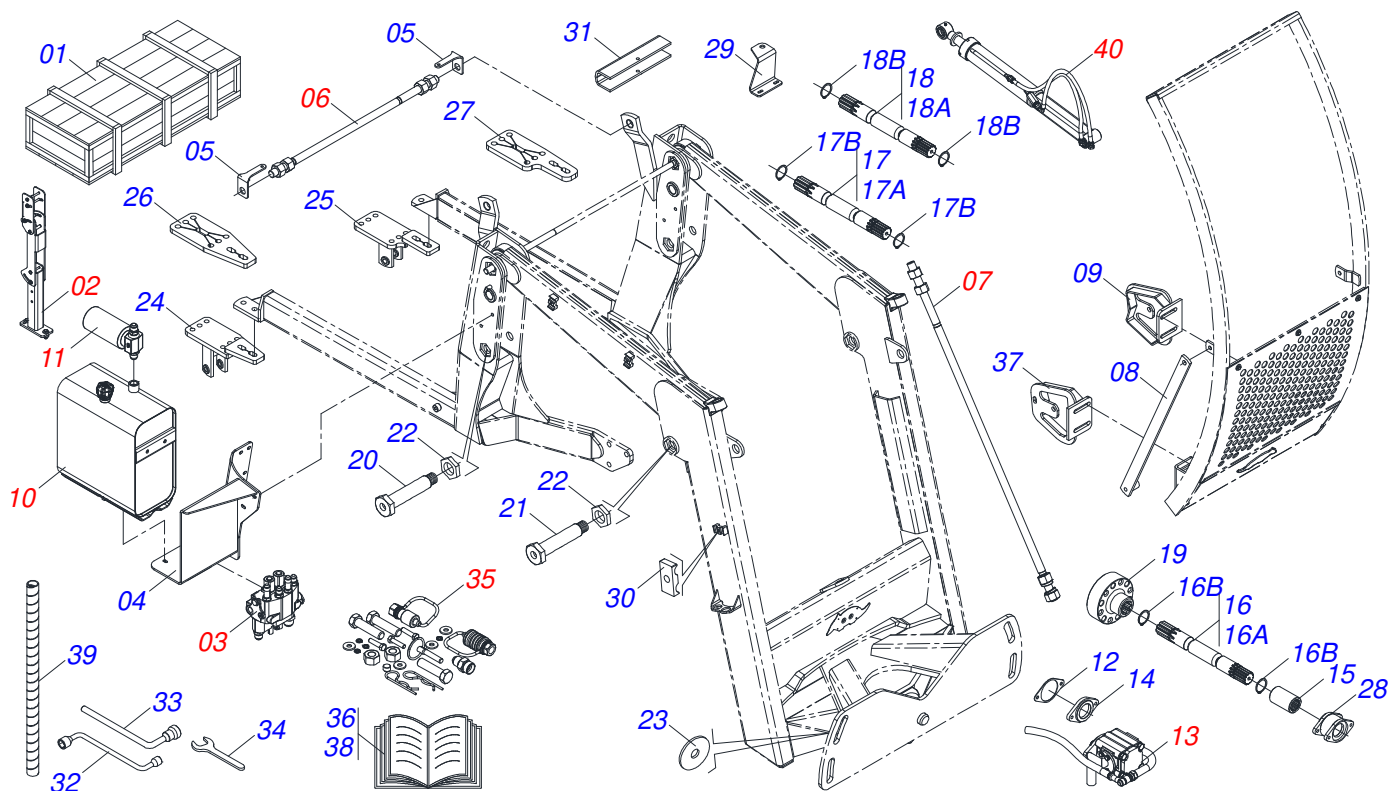
| Item | Code | Description | See page | QT |
|------|------------|---------------------------------------|----------|----|
| 01 | 0503062412 | COMPLETE JOYSTICK CONTROL | | 01 |
| 02 | 0501011460 | 7/8 NF REDUCTION NIPPLE | | 01 |
| 03 | 0501010617 | 3/4" NIPPLE | | 02 |
| 04 | 0581013379 | R.7/8 X 9/16 X 50 (SEXT 22,23) NIPPLE | | 04 |
| 05 | 0503012905 | 2113 O'RING | | 03 |
| 06 | 0503013161 | 2-013 N 3006-9B O'RING | | 04 |



| Item | Code | Description | See page | QT |
|------|------------|---|----------|----|
| 01 | 0521050157 | 44,45 X 85,72 X 1049 X 360 - RIGHT HYDRAULIC CYLINDER | 10 | 01 |
| 02 | 0521050158 | 44,45 X 85,72 X 1049 X 360 - LEFT HYDRAULIC CYLINDER | 11 | 01 |
| 03 | 0511057771 | R.7/8UNF - SAFETY VALVE | 12 | 02 |
| 04 | 0521050827 | HOSE KIT | | 01 |
| 04A | 0501080035 | 1/2" X 900 TR-TR HOSE | | 02 |
| 04B | 0501080714 | 3/8 X 1600 TR-TC HOSE | | 01 |
| 04C | 0501080451 | 3/8" X 94.5" TR-TC HOSE ASSY | | 01 |
| 04D | 0501080016 | 1/2 X 2800 TR-TC HOSE | | 02 |
| 04E | 0501080041 | HOSE 1/2 X 2800 TC-TC | | 01 |
| 04F | 0501080308 | 1/2 X 2750 TR-TM HOSE | | 02 |



| Item | Code | Description | See page | QT |
|------|------------|--|----------|----|
| 01 | 0503016506 | 5/16 UNC X 3/4 C S G.5 ZN BOLT | | 04 |
| 02 | 0503011135 | BOLT | | 04 |
| 03 | 0501010063 | 1/2" X 1-1/2" BOLT | | 02 |
| 04 | 0501010100 | SCREW 5/8 UNC X 2 CS G.5 ZN | | 04 |
| 05 | 0503010899 | 5/8" X 2-1/4" BOLT | | 04 |
| 06 | 0501010163 | 5/8" X 4-1/2" BOLT | | 02 |
| 07 | 0501010098 | 3/4" UNC BOLT | | 06 |
| 08 | 0501010500 | 3/4"X3"BOLT | | 04 |
| 09 | 0501012140 | FLAT WASHER | | 08 |
| 10 | 0501010322 | FLAT WASHER | | 08 |
| 11 | 0501010694 | FLAT WASHER | | 01 |
| 12 | 0503010179 | LOCK WASHER | | 04 |
| 13 | 0503010180 | 7/16" SPRING WASHER | | 04 |
| 14 | 0503010027 | 5/8" SPRING WASHER | | 08 |
| 15 | 0503010023 | 3/4" SPRING WASHER | | 10 |
| 16 | 0503011336 | 1/2" HEX SELF ADJUSTING NUT | | 02 |
| 17 | 0503010013 | 5/8" NUT | | 06 |
| 18 | 0503010014 | 3/4" NUT | | 04 |
| 19 | 0501010059 | 1.5/8 NUT | | 04 |
| 20 | 0503010044 | 1-1/4" SELF LOCKING NUT | | 06 |
| 21 | 0561016755 | PRISONER 1 UNC X 1 UNC X 76 ZN | | 04 |
| 22 | 0501068994 | 8,30 X 78 LOCK PIN | | 02 |
| 23 | 0503030012 | HITCH PIN CLIP | | 02 |
| 24 | 0503062177 | 7/8 (V.C) T-ADAPTER WITH NUT | | 03 |
| 25 | 0571019583 | 3/4"UNF 16FPP X 1"UNS 14 FPP X 43 NIPPLE | | 02 |
| 26 | 0571019584 | 7/8 UNF NIPL | | 01 |
| 27 | 0501053835 | FEMALE QUICK COUPLER | 15 | 02 |
| 28 | 0503010217 | 501040 CLAMPING RING (FOR AXLE) | | 04 |
| 29 | 0503010002 | 1800 GREASE FITTING | | 06 |
| 30 | 0503013527 | CLAMP ZIPER | | 10 |

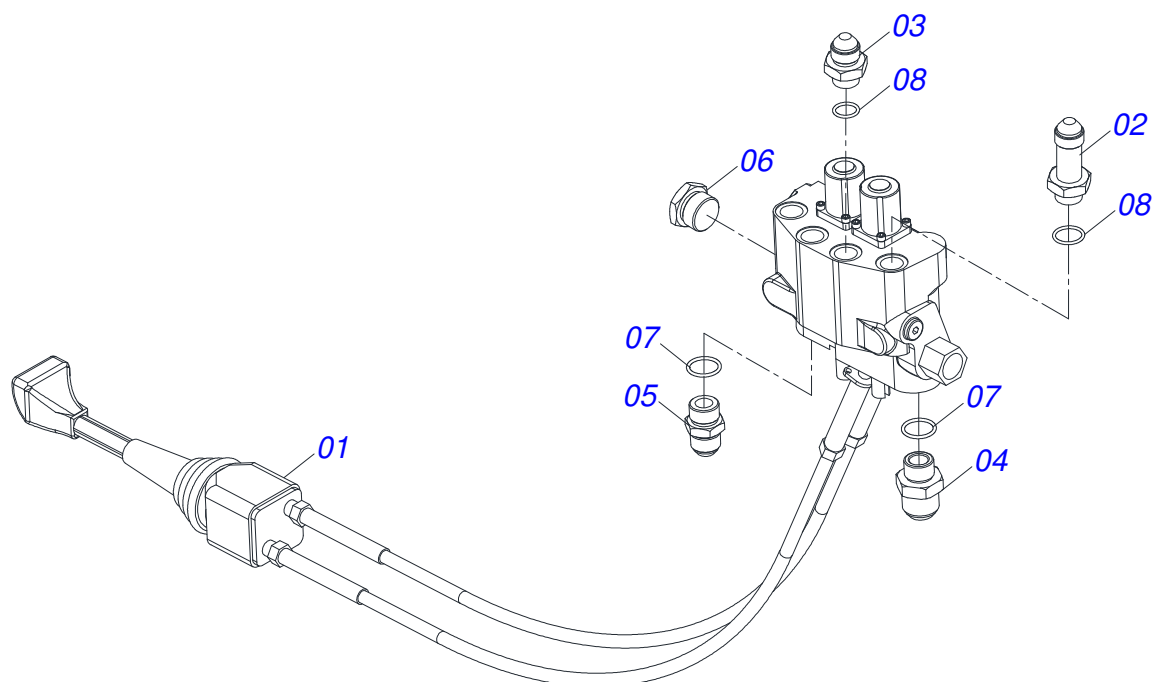


| Item | Code | Description | See page | QT |
|------|------------|---|----------|----|
| 01 | 0501100416 | WOODEN BOX | | 01 |
| 02 | 0521045393 | SET SUPPORT JOY STICK | 17 | 01 |
| 03 | 0521047177 | 1/2 COMMAND | 22 | 01 |
| 04 | 0521067704 | TANK AND CONTROL MOUNTING BRACKET | | 01 |
| 05 | 0561010051 | HEADLIGHT SUPPORT | | 02 |
| 06 | 0501043212 | ROD 1.1/4" NC X 3.818" ASSY | 7 | 01 |
| 07 | 0501041427 | 1.1/4" NC X 1540 ASSY ROD | 8 | 02 |
| 08 | 0521063340 | ANGULAR SUPPORT WITH SLEEVE | | 02 |
| 09 | 0521061644 | LEFT GUIDE MOVEL SUPPORT | | 01 |
| 10 | 0521046987 | FULL OIL RESERVOIR | 23 | 01 |
| 11 | 0521050247 | R.7/8 LARGER RETURN FILTER | 24 | 01 |
| 12 | 0561016191 | SHIM - PD 4292-4 | | 02 |
| 13 | 0501059935 | PUMP WITH SUCTION AND PRESSURE DUCTS | 25 | 01 |
| 14 | 0521012242 | SUPPORT ADAPTER | | 01 |
| 15 | 0503030838 | 1-1/8" X 2.4" SLEEVE | | 01 |
| 16 | 0501057540 | AXIS 385 X 1.1/8 EST1.1/8-30G WITH RING | | 01 |
| 16A | 0501068938 | 15" X 1.1/8 AXLE STRIATED | | 01 |
| 16B | 0503010174 | 501028 CLAMPING RING (FOR AXLE) | | 02 |
| 17 | 0511050584 | | | 01 |
| 17A | 0511062958 | 420 X 1.1/8 STRIATED X 1.1/8-30G AXLE | | 01 |
| 17B | 0503010174 | 501028 CLAMPING RING (FOR AXLE) | | 02 |
| 18 | 0501057558 | 475X1.1/8 SPRINGED SHAFT WITH RING | | 01 |
| 18A | 0501068936 | 475 X 1.1/8 STRIATED X 1.1/8-30G AXLE | | 01 |
| 18B | 0503010174 | 501028 CLAMPING RING (FOR AXLE) | | 02 |
| 19 | 0561016816 | 120 X 50 ESTR 1.1/8" - COUPLING FLANGE | | 01 |
| 20 | 0581013410 | 1.1/4" UNF X 155 BOLT | | 04 |
| 21 | 0581013378 | GREASE SCREW | | 02 |
| 22 | 0581010243 | WASHER HEX | | 06 |
| 23 | 0501010574 | FLAT WASHER | | 04 |
| 24 | 0521061641 | FRAME BRACKET | | 01 |
| 25 | 0521063770 | LEFT BRACKET | | 01 |

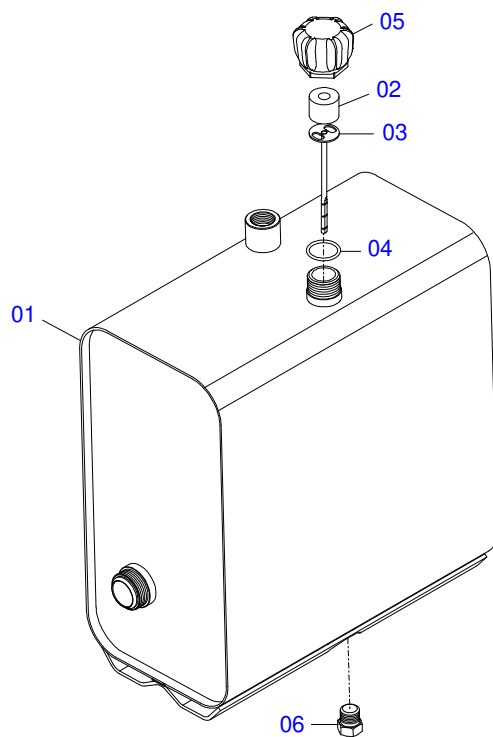


PD MF - S/A
BOX WITH COMPONENTS

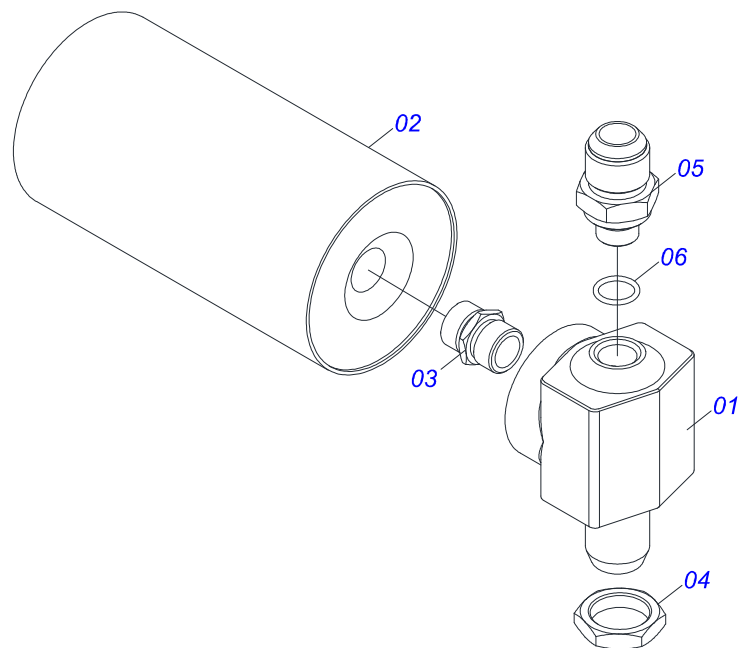
| Item | Code | Description | See page | QT |
|------|------------|--------------------------------|----------|----|
| 26 | 0561016408 | FRAME BRACKET | | 01 |
| 27 | 0571013046 | BRACKET | | 01 |
| 28 | 0511069929 | PUMP ADAPTER SUPPORT | | 01 |
| 29 | 0561016418 | SUPPORT TANK OIL | | 01 |
| 30 | 0502010477 | HOSE CLAMP | | 04 |
| 31 | 0531017238 | LOCK TRANSPORT | | 02 |
| 32 | 0501068213 | 5/8" WRENCH DOUBLE | | 01 |
| 33 | 0501061617 | 1" GANG BOLT WRENCH | | 01 |
| 34 | 0511010153 | 2-5/16" FIXED WRENCH | | 01 |
| 35 | 0511032656 | PACKED PARTS | 27 | 01 |
| 36 | 0501090033 | MANUAL INSTRUCCION | | 01 |
| 37 | 0521061643 | MOBILE SUPPORT RIGHT GUIDE | | 01 |
| 38 | 0511033668 | BAG WITH INSTRUCTION MANUAL | | 01 |
| 39 | 0581010090 | SPRING PROTECTION PLASTIC HOSE | | 02 |
| 40 | 0909096402 | HYDRAULIC CIRCUIT | 26 | 01 |



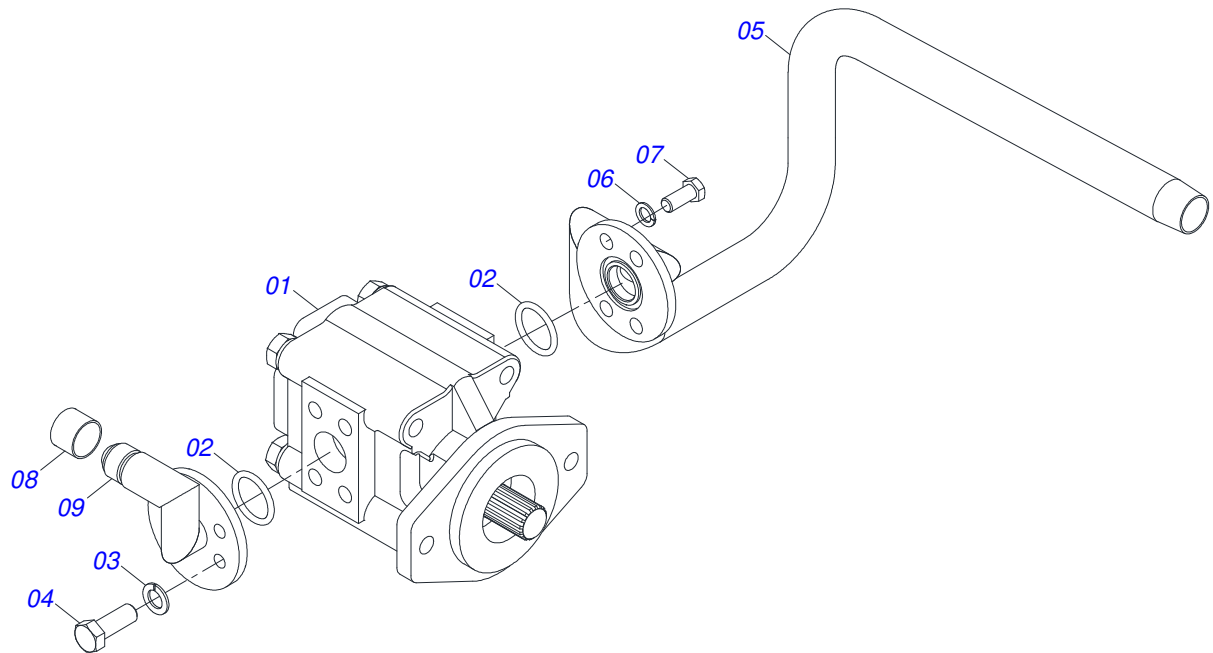
| Item | Code | Description | See page | QT |
|------|------------|------------------------------------|----------|----|
| 01 | 0503062415 | COMPLETE JOYSTICK CONTROL SDM122/2 | | 01 |
| 02 | 0581013293 | 7/8 NF NIPPLE FITTING | | 02 |
| 03 | 0501010590 | NIPPLE | | 02 |
| 04 | 0571018379 | NIPPLE FITTING | | 01 |
| 05 | 0501010589 | R. 1.1/16UN SEXT 1.1/4 X 52 NIPPLE | | 01 |
| 06 | 0501015335 | 1.1/16" UN X 22 PLUG | | 01 |
| 07 | 0503011109 | 2-119 N 3006-9B O'RING | | 03 |
| 08 | 0503010190 | 2-114 N 3006-9B O'RING | | 04 |



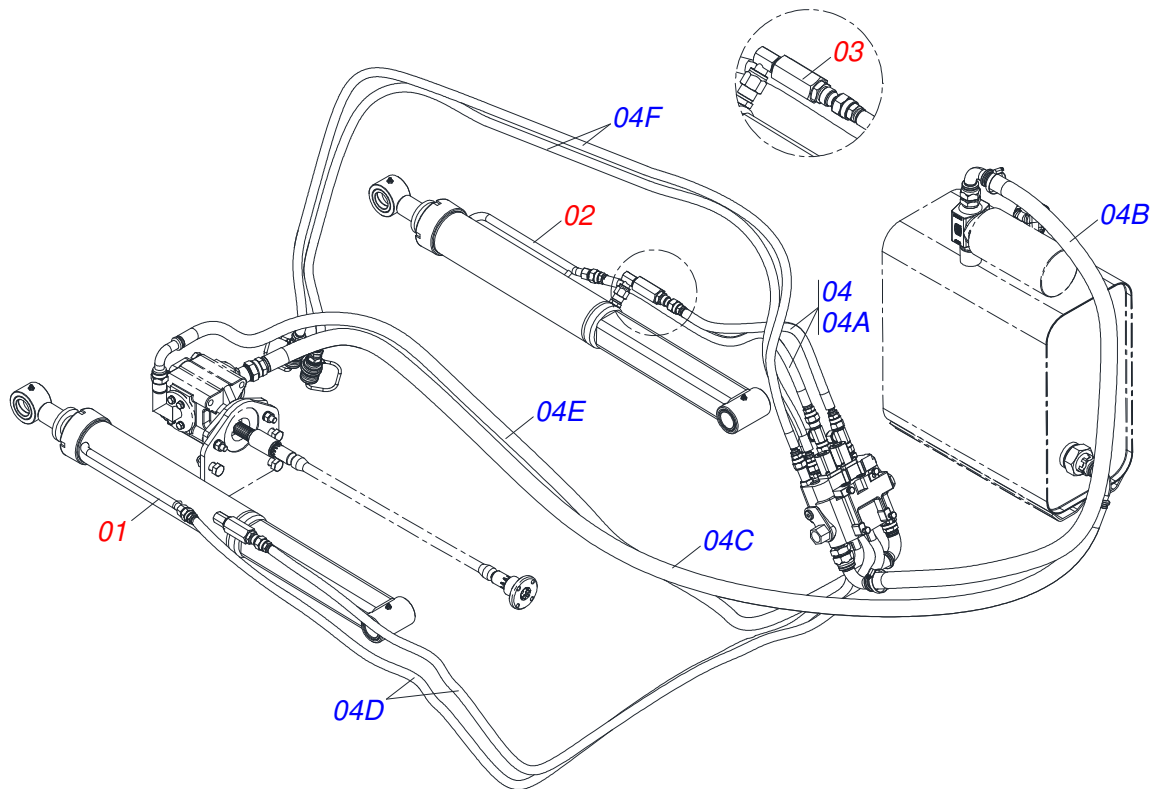
| Item | Code | Description | See page | QT |
|------|------------|------------------------|----------|----|
| 01 | 0501068880 | OIL RESERVOIR | | 01 |
| 02 | 0503030044 | FILTERING ELEMENT | | 01 |
| 03 | 0501060975 | OIL GAGE | | 01 |
| 04 | 0503010185 | 2-221 N 3006-9B O'RING | | 01 |
| 05 | 0502020472 | FRONTAL COVER | | 01 |
| 06 | 0503031604 | 1/2" BSP PLUG | | 01 |



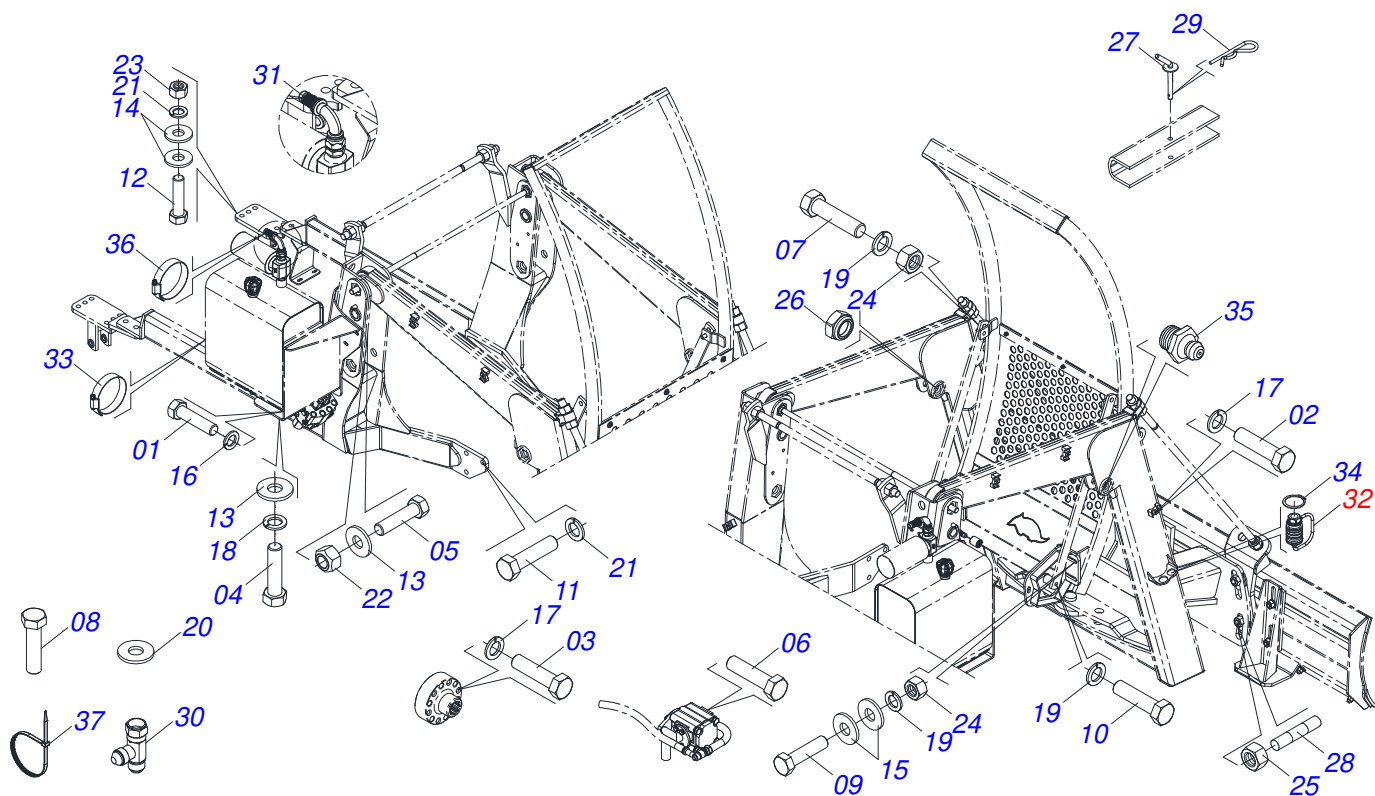
| Item | Code | Description | See page | QT |
|------|------------|---|----------|----|
| 01 | 0581013367 | RETURN FILTER HEAD R.7/8 | | 01 |
| 02 | 0503010183 | RETURNING FILTER | | 01 |
| 03 | 0501010595 | 1" NF NIPPLE FITTING | | 01 |
| 04 | 0501010594 | 1" NUT | | 01 |
| 05 | 0581013366 | R.1.5/16 X R.7/8 X 64 SEXT 1.1/2 NIPPLE FITTING | | 01 |
| 06 | 0503010045 | O'RING | | 01 |



| Item | Code | Description | See page | QT |
|------|------------|------------------------------------|----------|----|
| 01 | 0503061770 | PUMP WITH TUBE | | 01 |
| 02 | 0503010173 | 2-220 N 3006-9B O'RING | | 02 |
| 03 | 0503010025 | 3/8" SPRING WASHER | | 04 |
| 04 | 0503011087 | 3/8" X 1" BOLT | | 04 |
| 05 | 0521061552 | PUMP SUCTION DUCT - MF 4292/4283-4 | | 01 |
| 06 | 0503010180 | 7/16" SPRING WASHER | | 04 |
| 07 | 0503010355 | 7/16" X 1" BOLT | | 04 |
| 08 | 0503030388 | PLUG N-005 | | 01 |
| 09 | 0501069661 | PUMP PRESSURE TUBE | | 01 |



| Item | Code | Description | See page | QT |
|------|------------|---|----------|----|
| 01 | 0521050157 | 44,45 X 85,72 X 1049 X 360 - RIGHT HYDRAULIC CYLINDER | 10 | 01 |
| 02 | 0521050158 | 44,45 X 85,72 X 1049 X 360 - LEFT HYDRAULIC CYLINDER | 11 | 01 |
| 03 | 0511057771 | R.7/8UNF - SAFETY VALVE | 12 | 02 |
| 04 | 0521050828 | HOSE KIT | | 01 |
| 04A | 0501080035 | 1/2" X 900 TR-TR HOSE | | 02 |
| 04B | 0501014090 | 1 X 1450 AB-AB HOSE | | 01 |
| 04C | 0521012405 | 1 X 2100 AB- AB HOSE | | 01 |
| 04D | 0501080016 | 1/2 X 2800 TR-TC HOSE | | 02 |
| 04E | 0501080698 | 3/4" X 106" TC-TC HOSE | | 01 |
| 04F | 0501080308 | 1/2 X 2750 TR-TM HOSE | | 02 |



| Item | Code | Description | See page | QT |
|------|------------|---------------------------------|----------|----|
| 01 | 0503016506 | 5/16 UNC X 3/4 C S G.5 ZN BOLT | | 04 |
| 02 | 0503011135 | BOLT | | 04 |
| 03 | 0503012555 | SCREW 7/16 UNC X 2 CS RT G.7 ZN | | 04 |
| 04 | 0501010161 | 1/2" X 1.1/4" BOLT | | 04 |
| 05 | 0501010063 | 1/2" X 1-1/2" BOLT | | 08 |
| 06 | 0503011172 | BOLT 1/2 UNC X 2.1/2 C S G.5 ZN | | 02 |
| 07 | 0501010100 | SCREW 5/8 UNC X 2 CS G.5 ZN | | 04 |
| 08 | 0503010384 | 1/2" X 5" BOLT | | 02 |
| 09 | 0503010899 | 5/8" X 2-1/4" BOLT | | 04 |
| 10 | 0501010163 | 5/8" X 4-1/2" BOLT | | 02 |
| 11 | 0501010098 | 3/4" UNC BOLT | | 06 |
| 12 | 0501010500 | 3/4"X3"BOLT | | 04 |
| 13 | 0511017302 | FLAT WASHER | | 12 |
| 14 | 0501010322 | FLAT WASHER | | 08 |
| 15 | 0501012140 | FLAT WASHER | | 08 |
| 16 | 0503010179 | LOCK WASHER | | 04 |
| 17 | 0503010180 | 7/16" SPRING WASHER | | 08 |
| 18 | 0503010019 | 1/2" SPRING WASHER | | 04 |
| 19 | 0503010027 | 5/8" SPRING WASHER | | 08 |
| 20 | 0501010694 | FLAT WASHER | | 01 |
| 21 | 0503010023 | 3/4" SPRING WASHER | | 10 |
| 22 | 0503011336 | 1/2" HEX SELF ADJUSTING NUT | | 08 |
| 23 | 0503010014 | 3/4" NUT | | 04 |
| 24 | 0503010013 | 5/8" NUT | | 06 |
| 25 | 0501010059 | 1.5/8 NUT | | 04 |
| 26 | 0503010044 | 1-1/4" SELF LOCKING NUT | | 06 |
| 27 | 0501068994 | 8,30 X 78 LOCK PIN | | 02 |
| 28 | 0561016755 | PRISONER 1 UNC X 1 UNC X 76 ZN | | 04 |
| 29 | 0503030012 | HITCH PIN CLIP | | 02 |
| 30 | 0503062177 | 7/8 (V.C) T-ADAPTER WITH NUT | | 02 |
| 31 | 0503018722 | JIC CURVE TERMINAL FOR HOSE 1" | | 03 |



PD MF - S/A
PACKED PARTS

Page 27
0511032656

| Item | Code | Description | See page | QT |
|------|------------|---------------------------------|----------|----|
| 32 | 0501053835 | FEMALE QUICK COUPLER | 15 | 02 |
| 33 | 0503010243 | CLAMP | | 04 |
| 34 | 0503010217 | 501040 CLAMPING RING (FOR AXLE) | | 04 |
| 35 | 0503010002 | 1800 GREASE FITTING | | 06 |
| 36 | 0503010243 | CLAMP | | 04 |
| 37 | 0503013527 | CLAMP ZIPER | | 10 |



MARCHESAN

Technical Publications | Elaboration and Revision

LORENA ROCHA ALVES

www.marchesan.com.br

