

**PCA 600/PCA PLUS 1500**

**PCA 600 / PCA PLUS 1500 - MF - S/A**

**Code:** 0501093320

**Series:** S-0317

**Revision:** 00

**Date Revision:** MAIO/2022

# **PARTS CATALOGUE**



**MARCHESAN**



# PRODUCTS

<b>Code</b>	<b>Description</b>
0106111909	PCA 600 MF 4265A4290 BT CDC JS AR ESP S-0317
0106111908	PCA 600 MF 4265A4290 BT CDC JS ESP S-0317
0106111907	PCA 600 MF 4265A4290 BT SC ESP S-0317
0106111910	PCA 600 MF 4265A4290 SHT CDC JS ESP S-0317
0106111913	PCA PLUS 1500 MF 4265A4290 BT CDC JS AR ESP S-0317
0106111912	PCA PLUS 1500 MF 4265A4290 BT CDC JS ESP S-0317
0106111911	PCA PLUS 1500 MF 4265A4290 BT SC ESP S-0317
0106111914	PCA PLUS 1500 MF 4265A4290 SHT CDC JS ESP S-0317

## **ATTENTION: IMPORTANT**

Marchesan S.A. reserves the right to improve and/or modify the technical features of its products, without obligation to do the same with those products already sold and without prior knowledge of the dealer or the consumer. The photos are only illustrative.

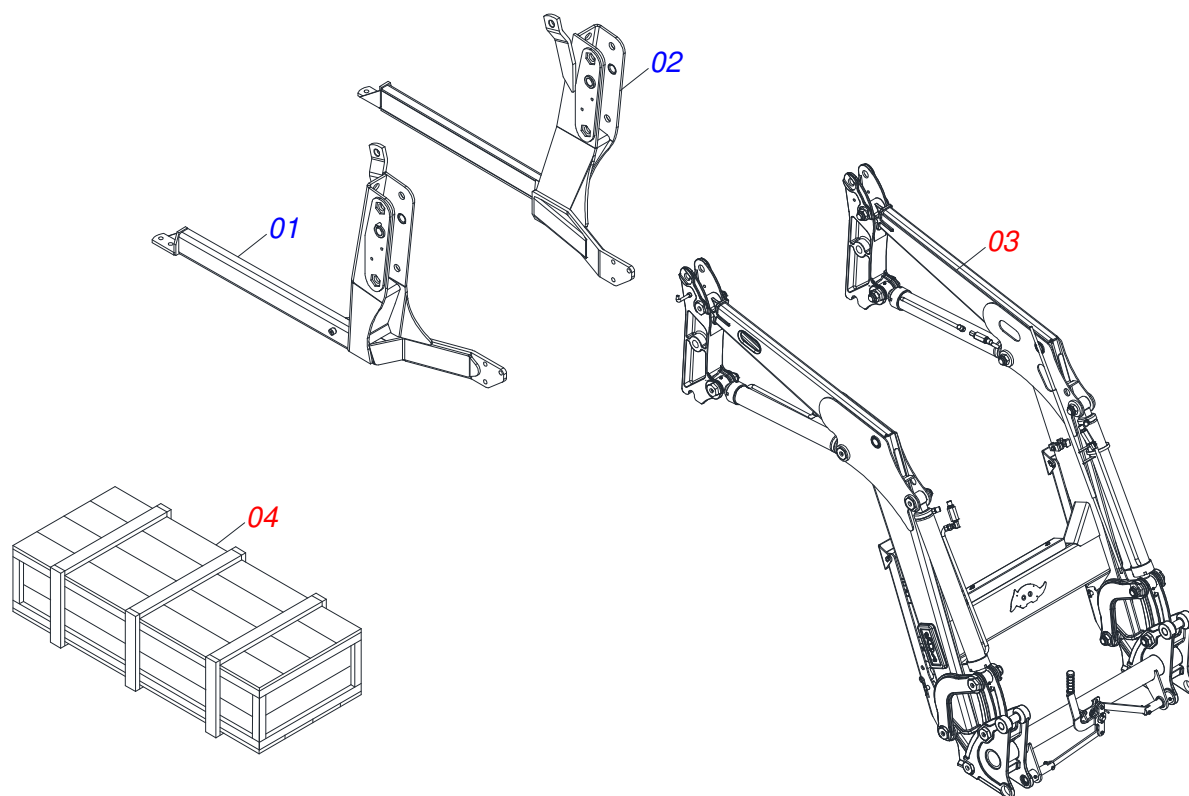


**MARCHESAN**

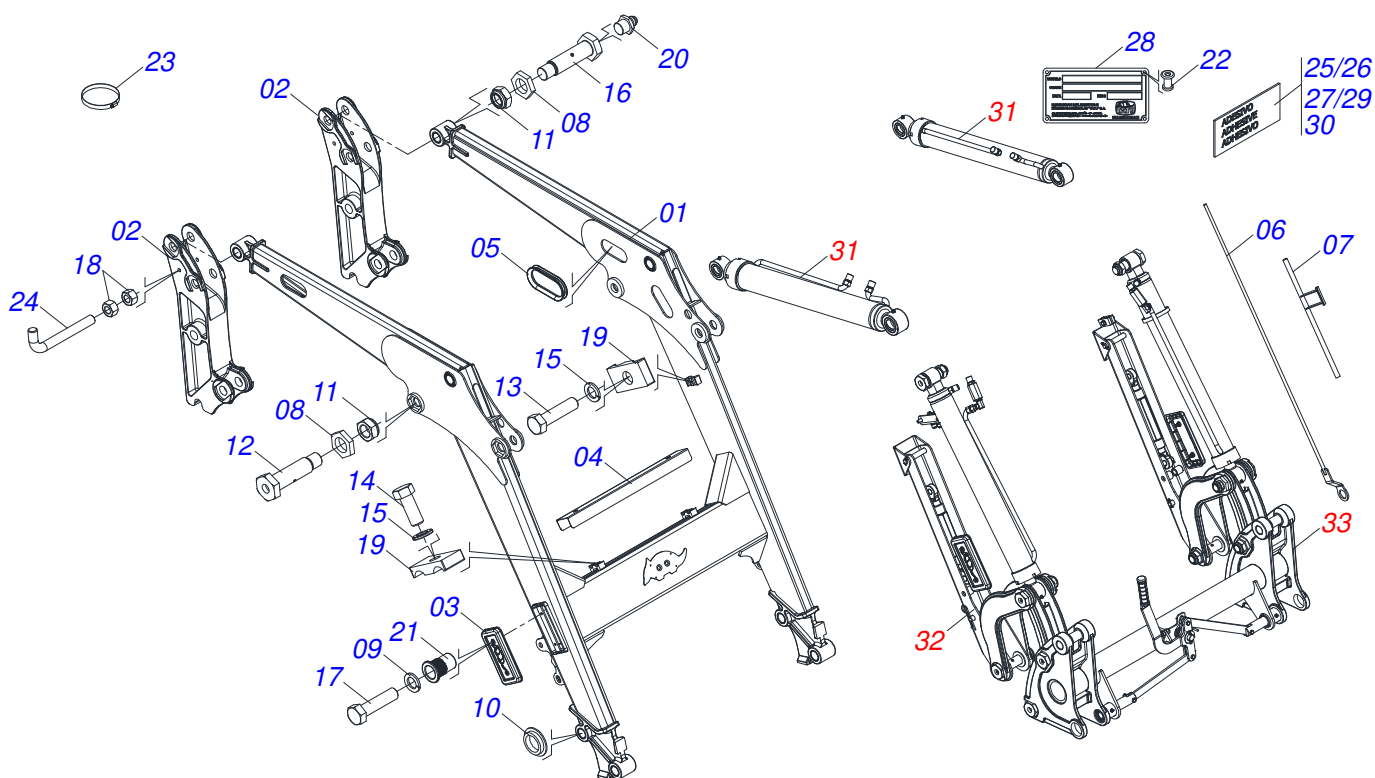
# INDEX

0909096360	ASSY FRAME	.....	1
0531041063	MOBILE SUPPORT ASSY - PCA 600	.....	2
0909096310	HYDRAULIC ASSEMBLY	.....	3
0521050256	RIGHT HYDRAULIC CYLINDER Ø44,45 X 76,20 X 845 X 555	.....	4
0521050255	LEFT HYDRAULIC CYLINDER Ø44,45 X 76,20 X 845 X 555	.....	5
0521045380	RIGHT HYDRAULIC CYLINDER Ø44,45 X 76,10 X 918	.....	6
0521045379	LEFT HYDRAULIC CYLINDER Ø44,45 X 76,10 X 918	.....	7
0511057772	SECURITY VALVE ASSY	.....	8
0909096311	JACK ASSEMBLY	.....	9
0909096312	ARTICULATION ASSEMBLY	.....	10
0531041066	MOVING SUPPORT - PCA PLUS 1500	.....	11
0909096313	HYDRAULIC ASSEMBLY	.....	12
0511058222	HYDRAULIC CYLINDER RIGHT	.....	13
0511058221	HYDRAULIC CYLINDER LEFT	.....	14
0909096314	JACK ASSEMBLY	.....	15
0909096315	ARTICULATION ASSEMBLY	.....	16
0521023208	BOX WITH COMPONENTS	.....	17
0521045393	SET SUPPORT JOY STICK	.....	18
0521045676	COMPLETE SET COMMAND	.....	19
0501043212	ROD 1.1/4" NC X 3.818" ASSY	.....	20
0511032660	PACKED PARTS	.....	21
0521023207	BOX WITH COMPONENTS	.....	22
0521045489	BLOCK COMMAND	.....	23
0511032659	PACKED PARTS	.....	24
0501053835	FEMALE QUICK COUPLER	.....	25
0521023213	BOX WITH COMPONENTS	.....	26
0521047191	COMMAND	.....	27
0501053834	MALE QUICK COUPLER	.....	28
0521046987	FULL OIL RESERVOIR	.....	29
0521050247	R.7/8 LARGER RETURN FILTER	.....	30
0501059935	PUMP WITH SUCTION AND PRESSURE DUCTS	.....	31
0511032663	PACKED PARTS	.....	32
0521023206	BOX WITH COMPONENTS	.....	33
0511032658	PACKED PARTS	.....	34

ASSY FRAME



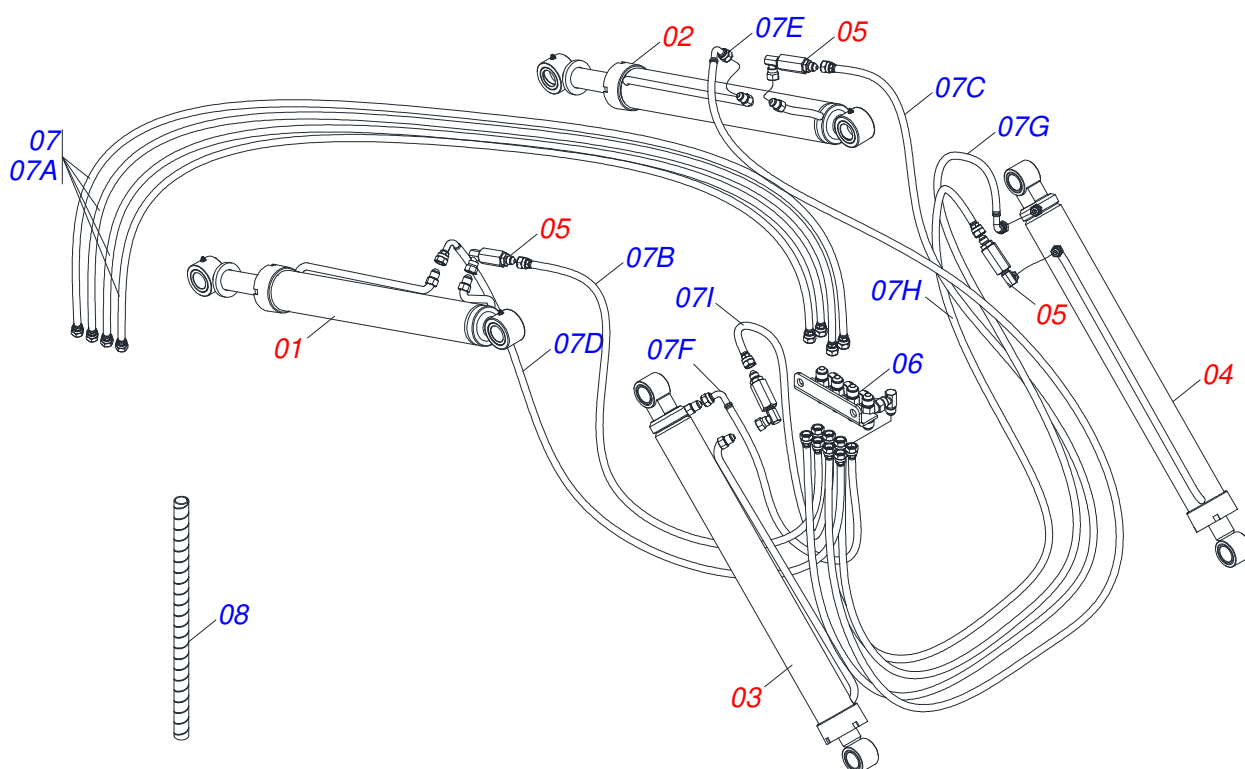
Item	Code	Description	See page	PCA 600	PCA PLUS 1500
01	0521067702	RIGHT FRAME		01	01
02	0521067703	LEFT FRAME		01	01
03	0531041063	MOBILE SUPPORT ASSY - PCA 600	2	01	00
03.	0531041066	MOVING SUPPORT - PCA PLUS 1500	11	00	01
04	0521023208	BOX WITH COMPONENTS	17	01	01
04.	0521023207	BOX WITH COMPONENTS	22	01	01
04..	0521023213	BOX WITH COMPONENTS	26	01	01
04...	0521023206	BOX WITH COMPONENTS	33	00	01



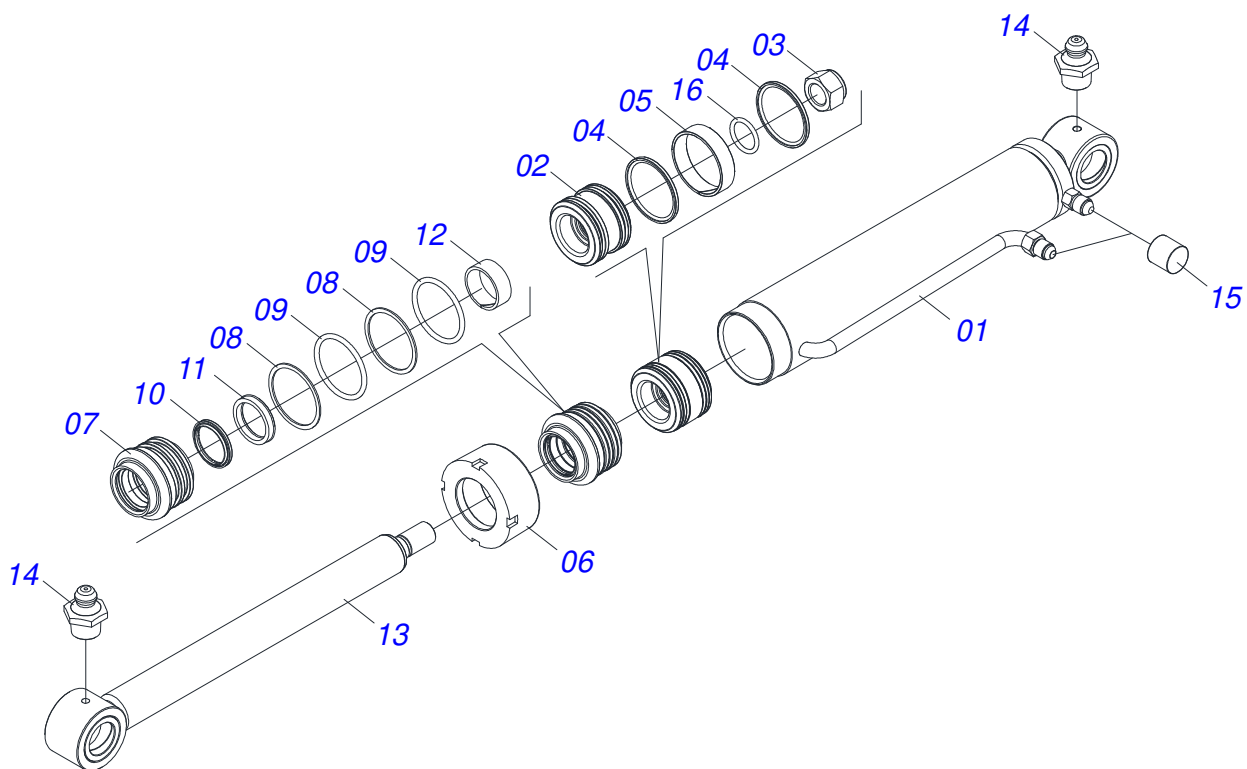
Item	Code	Description	See page	QT
01	0531060872	MOVING SUPPORT		01
02	0502012950	TOWER		02
03	0503035448	COVER		02
04	0581017751	HOSE PROTECTION		01
05	0503034364	HOSE PROTECTOR		02
06	0521068692	LEVEL ROD		01
07	0521067968	ROD GUIDE		01
08	0581010243	WASHER HEX		06
09	0503010143	1/4" SPRING WASHER		04
10	0591010982	WASHER SPACER		04
11	0503010044	1-1/4" SELF LOCKING NUT		08
12	0581013575	1.1/4 UNF X 85 BOLT		04
13	0503012555	SCREW 7/16 UNC X 2 CS RT G.7 ZN		03
14	0503011338	7/16" X 1" BOLT		02
15	0503010180	7/16" SPRING WASHER		05
16	0571018264	1.1/4" UNF X 149 ZN BOLT		04
17	0503010461	1/4" X 1" BOLT		04
18	0503010060	1/2" NUT		02
19	1902010477	UPPER CLAMP BODY		04
20	0503010002	1800 GREASE FITTING		12
21	0503019901	INTERNAL THREAD RIVET RM 1/4 P30S		04
22	0503010001	3.2 X 5.5 RIVET		04
23	0503011372	102 TO 121 CLAMP		01
24	0581010285	CONTROL LOCKING HOOK		01
25	0503031087	ADHESIVE LABEL		01
26	0503031428	READ MANUAL DECAL		01
27	0503031827	LUBRICATE AND RETIGHTEN DAILY DECAL		01
28	0503034003	SERIAL NUMBER TAG 61 X 118		01
29	0503034078	LIFTING POINTS DECAL		01
30	0503062658	SET LABEL ADHESIVE		01
31	0909096310	HYDRAULIC ASSEMBLY	3	01



Item	Code	Description	See page	QT
32	0909096311	JACK ASSEMBLY	9	01
33	0909096312	ARTICULATION ASSEMBLY	10	01

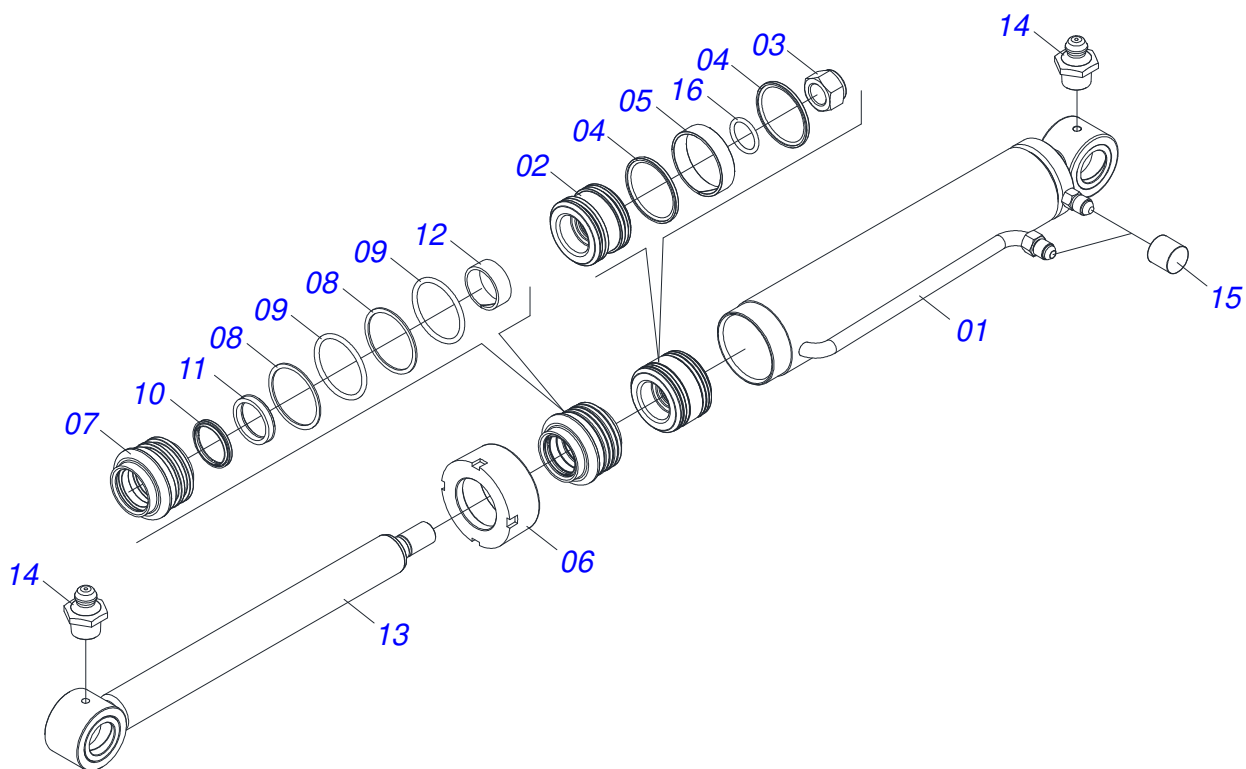


Item	Code	Description	See page	QT
01	0521050256	RIGHT HYDRAULIC CYLINDER Ø44,45 X 76,20 X 4 845 X 555		01
02	0521050255	LEFT HYDRAULIC CYLINDER Ø44,45 X 76,20 X 845 X 555		01
03	0521045380	RIGHT HYDRAULIC CYLINDER Ø44,45 X 76,10 X 6 918		01
04	0521045379	LEFT HYDRAULIC CYLINDER Ø44,45 X 76,10 X 918	7	01
05	0511057772	SECURITY VALVE ASSY	8	04
06	0521069023	HOSE DIVIDER PCA 600 2C		02
07	0511056982	HOSE SET MOBILE SUPPORT		01
07A	0501080452	3/8" X 98" TR-TR HOSE		04
07B	0501080127	HOSE		01
07C	0501080483	3/8" X 86,6" TR-TR HOSE		01
07D	0501080348	3/8 X 1200 TR-TC HOSE		01
07E	0501080451	3/8" X 94.5" TR-TC HOSE ASSY		01
07F	0501080375	3/8 X 600 TR-TC HOSE		01
07G	0501080419	3/8 X 2100 TR-TC HOSE		01
07H	0501080320	3/8" X 82,6" TR-TR HOSE		01
07I	0501080027	3/8" X 39,3" TR-TR HOSE ASSY		01
08	0571014419	PLASTIC PROTECTION SPRING HOSE 3/4 X 700MM		01

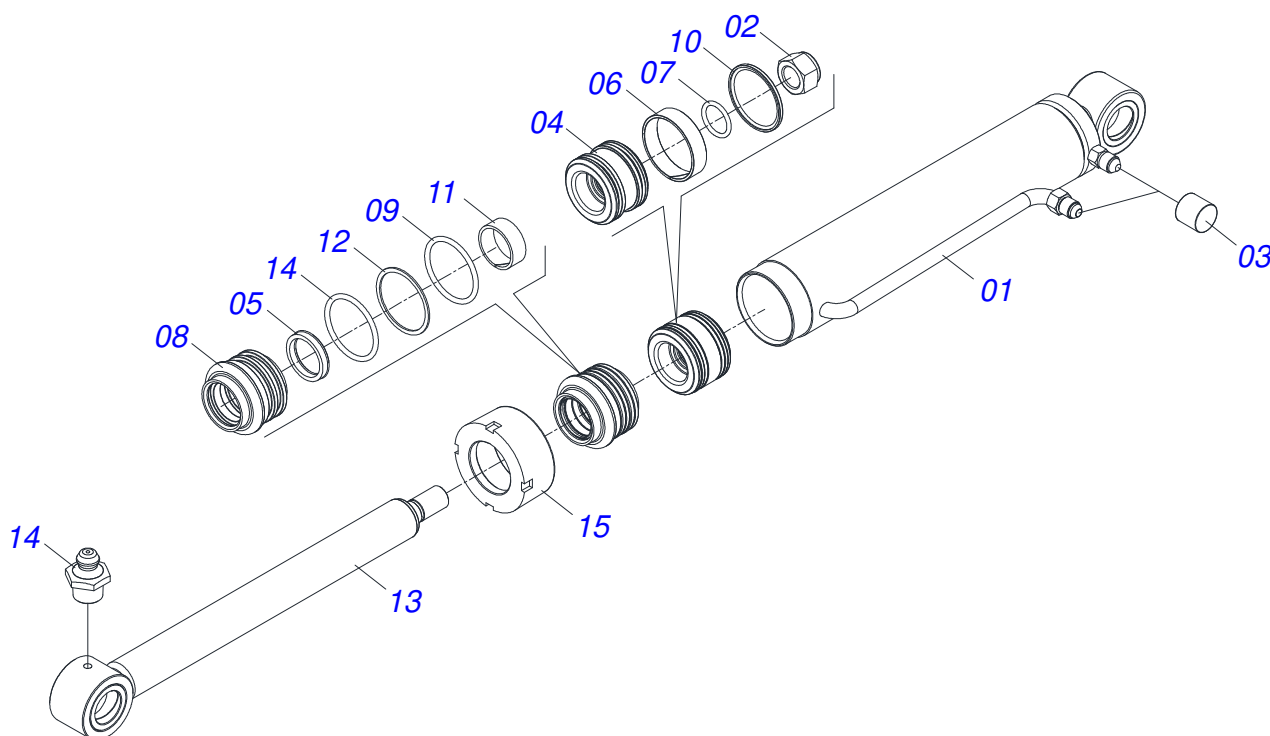


Item	Code	Description	See page	QT
01	0521067485	76,20 X 740,50 RIGHT CYLINDER CASE		01
02	0581010304	PISTON		01
03	0503010063	1" SELF-ALIGNING NUT		01
04	0503018138	RING BS		02
05	0503018140	RING GUIDE		01
06	0502011899	MOBILE COVER		01
07	0581010301	RING SUPPORT		01
08	0503011059	8-334 BACK-UP RING		02
09	0503010343	2-334 N 3006-9B O'RING		02
10	0503010761	D-1750 SCRAPER RING		01
11	0503017937	GASKET		01
12	0503017938	RING GUIDE		01
13	0521067543	44,45 X 774 AIR TURNBUCKLE		01
14	0503010002	1800 GREASE FITTING		02
15	0503030385	CYLINDER PLUG N-002		02
16	0503010042	2-214 N 3006-9B O'RING		01
17	0511032293	HYDRAULIC CYLINDER REPAIR KIT		01

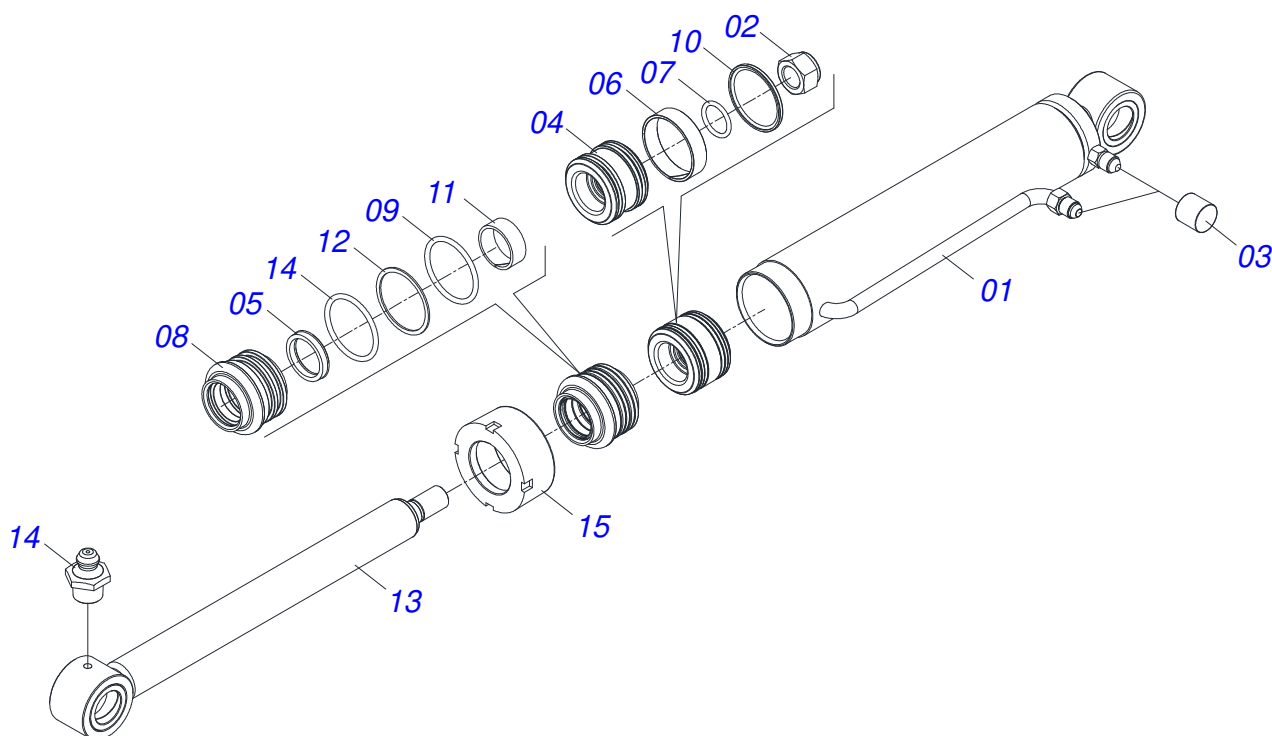




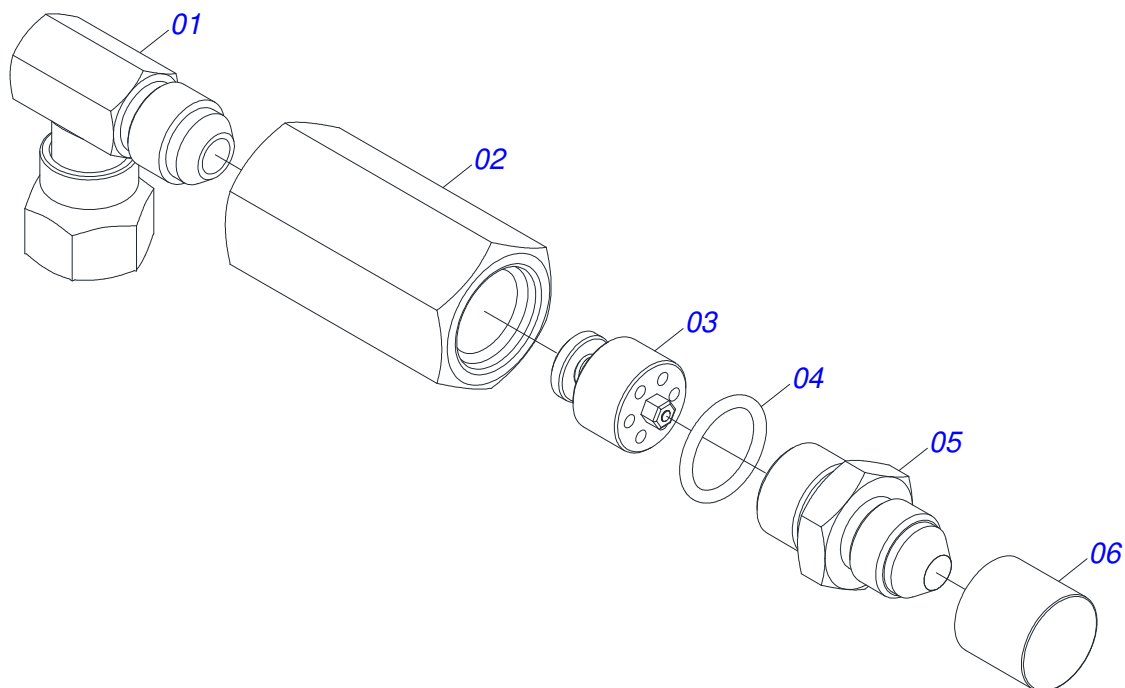
Item	Code	Description	See page	QT
01	0521067486	76,20 X 740,50 LEFT CYLINDER CASE		01
02	0581010304	PISTON		01
03	0503010063	1" SELF-ALIGNING NUT		01
04	0503018138	RING BS		02
05	0503018140	RING GUIDE		01
06	0502011899	MOBILE COVER		01
07	0581010301	RING SUPPORT		01
08	0503011059	8-334 BACK-UP RING		02
09	0503010343	2-334 N 3006-9B O'RING		02
10	0503010761	D-1750 SCRAPER RING		01
11	0503017937	GASKET		01
12	0503017938	RING GUIDE		01
13	0521067543	44,45 X 774 AIR TURNBUCKLE		01
14	0503010002	1800 GREASE FITTING		02
15	0503030385	CYLINDER PLUG N-002		02
16	0503010042	2-214 N 3006-9B O'RING		01
17	0511032293	HYDRAULIC CYLINDER REPAIR KIT		01



Item	Code	Description	See page	QT
01	0521065843	RIGHT CYLINDER CASE WITH EXTENSION	01	01
02	0503010063	1" SELF-ALIGNING NUT	01	01
03	0503030385	CYLINDER PLUG N-002	02	02
04	0502011898	1.8" X 3.0" PISTON	01	01
05	0503012768	3750-2250 GASKET	02	02
06	0503010992	W2-3000-500 PK RING G.E	01	01
07	0503010042	2-214 N 3006-9B O'RING	01	01
08	0502011897	RING SUPPORT	01	01
09	0503010761	D-1750 SCRAPER RING	01	01
10	0503010990	GASKET	01	01
11	0503010949	W2-2000-500 PK RING G.E	01	01
12	0503011059	8-334 BACK-UP RING	01	01
13	0521065845	Ø 44,45 X 839 WELDED ARTICULATOR	01	01
14	0503010343	2-334 N 3006-9B O'RING	01	01
15	0502011899	MOBILE COVER	01	01
16	0503010002	1800 GREASE FITTING	01	01
17	0501033655	HYDRAULIC CYLINDER REPAIR KIT	01	01

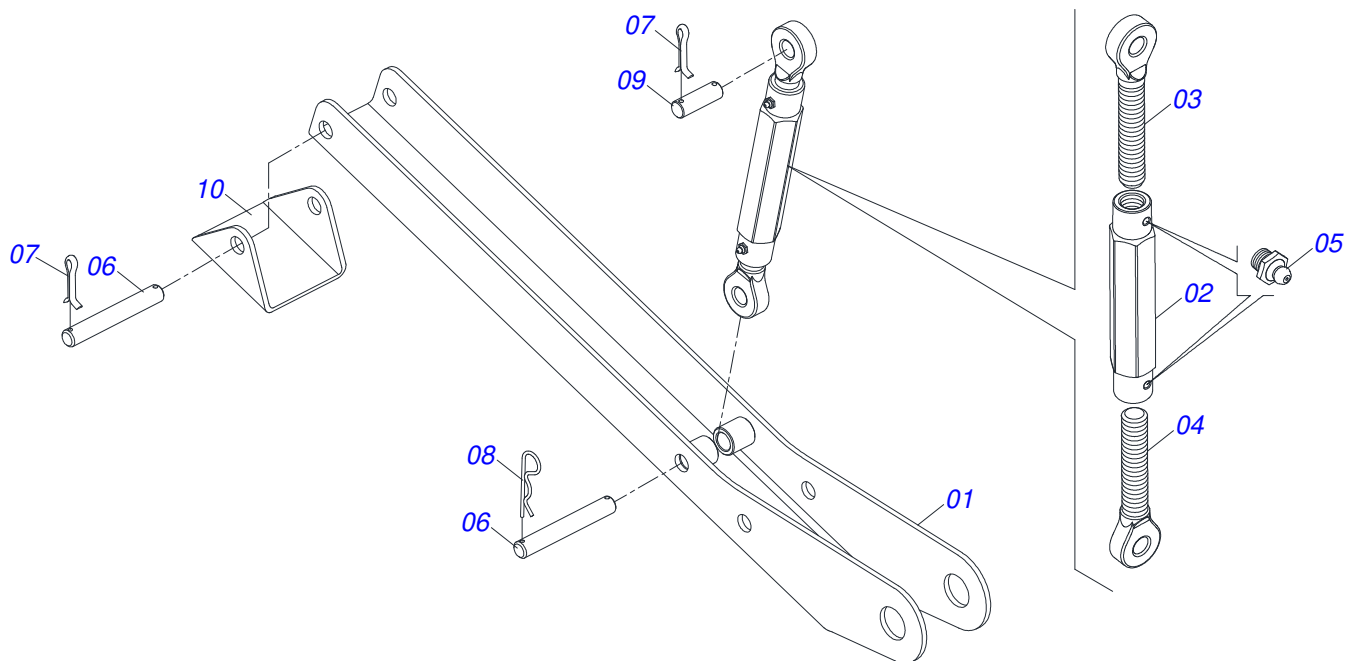


Item	Code	Description	See page	QT
01	0521065842	CYLINDER CASE WITH EXTENSION		01
02	0503010063	1" SELF-ALIGNING NUT		01
03	0503030385	CYLINDER PLUG N-002		02
04	0502011898	1.8" X 3.0" PISTON		01
05	0503012768	3750-2250 GASKET		02
06	0503010992	W2-3000-500 PK RING G.E		01
07	0503010042	2-214 N 3006-9B O'RING		01
08	0502011897	RING SUPPORT		01
09	0503010761	D-1750 SCRAPER RING		01
10	0503010990	GASKET		01
11	0503010949	W2-2000-500 PK RING G.E		01
12	0503011059	8-334 BACK-UP RING		01
13	0521065845	Ø 44,45 X 839 WELDED ARTICULATOR		01
14	0503010343	2-334 N 3006-9B O'RING		01
15	0502011899	MOBILE COVER		01
16	0503010002	1800 GREASE FITTING		01
17	0501033655	HYDRAULIC CYLINDER REPAIR KIT		01

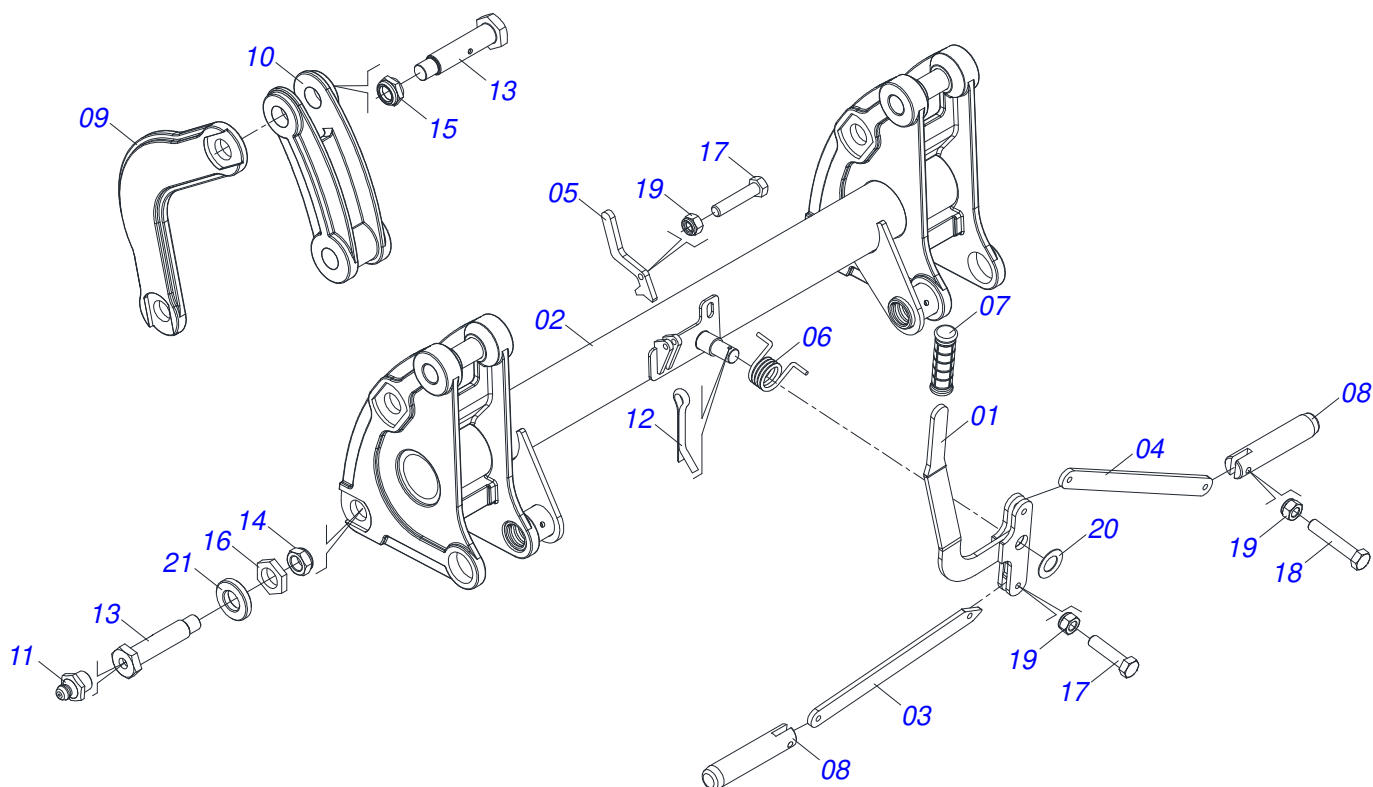


Item	Code	Description	See page	QT
01	0503018034	MALE KNEE JIC		01
02	0581014055	ADAPTER		01
03	0503016854	VALVE ASSY		01
04	0503010045	O'RING		01
05	0581014054	BSP 1/2" NIPPLE		01
06	0503030385	CYLINDER PLUG N-002		01

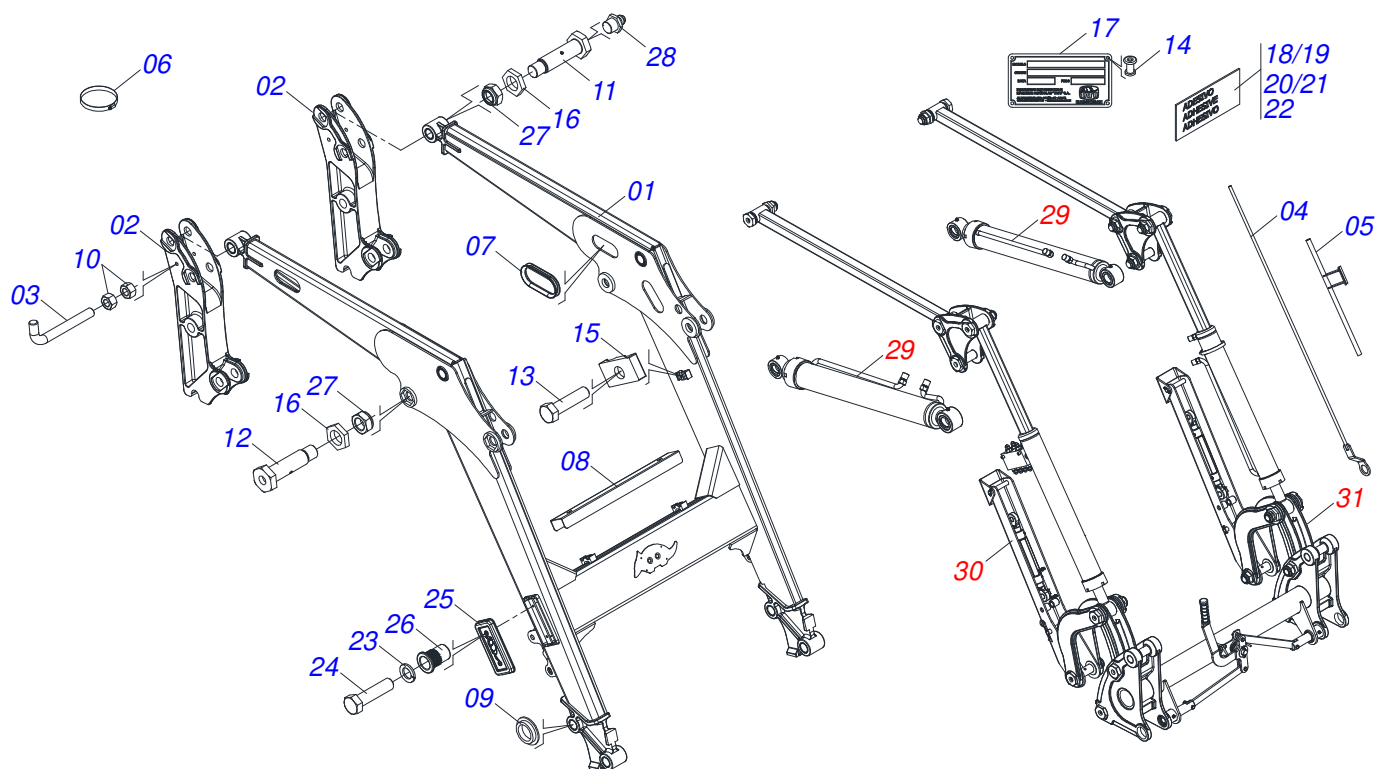
JACK ASSEMBLY



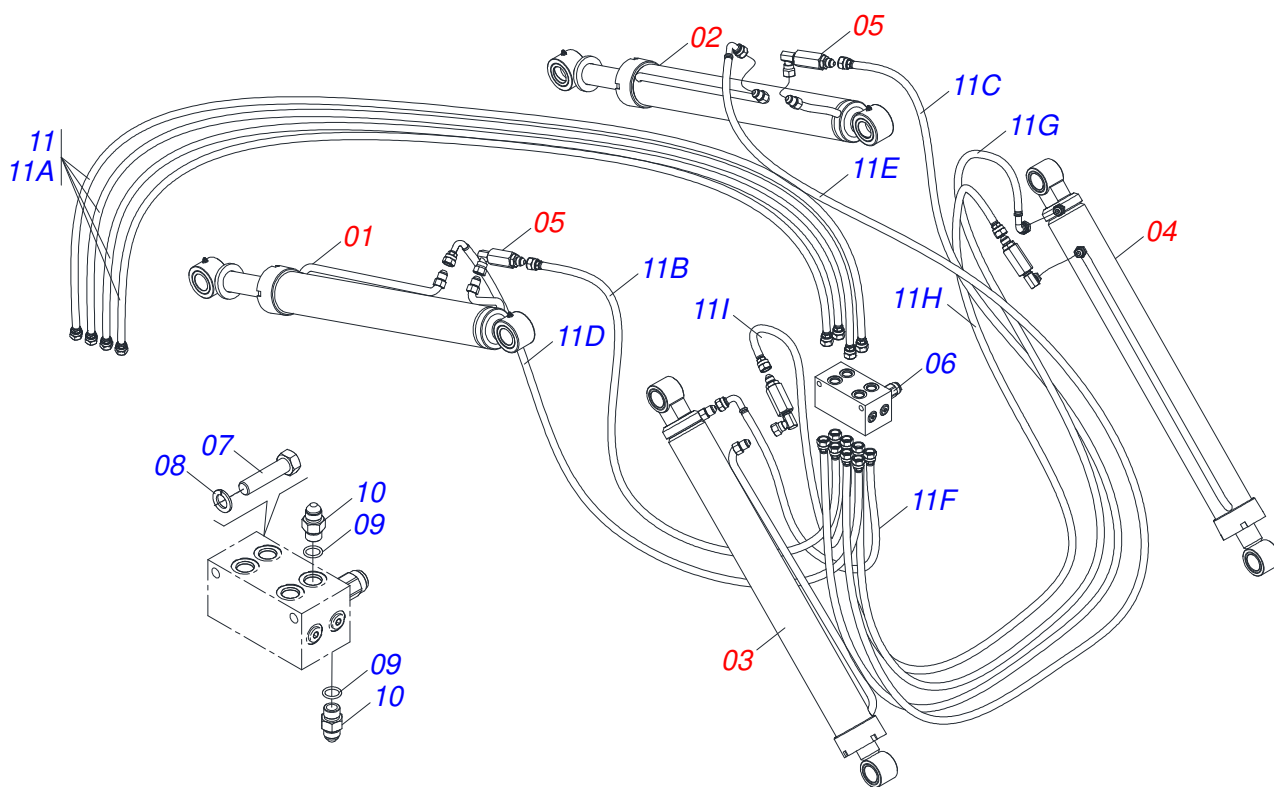
Item	Code	Description	See page	QT
01	0521065756	PLOUGH SUPPORT BODY		02
02	0502012530	REGULATOR NUT BODY R1		02
03	0502012562	LEFT SPINDLE R1 X 160		02
04	0502012529	RIGHT SPINDLE R1 X 160		02
05	0503010002	1800 GREASE FITTING		04
06	0571018253	3/4 X 133 PCA-T 1500 COUPLING SHAFT		04
07	0503010071	3/16" X 1" COTTERPIN		06
08	0503030012	HITCH PIN CLIP		02
09	0561015578	3/4 X 56 PCA VTR A750 COUPLING SHAFT		02
10	0571018252	REST BASE		02



Item	Code	Description	See page	QT
01	0521065888	LEVER	01	01
02	0531060874	ARTICULATOR	01	01
03	0571018125	RIGHT ARM OF THE UNLOCK	01	01
04	0571018935	SPRING SUPPORT ARM	01	01
05	0571018934	PENDULUM LOCKS	01	01
06	0503034192	TORSION SPRING	01	01
07	0503037382	Ø25 X 120 PVC HANDLE	01	01
08	0571018129	PIN LOCK ACCESSORY	02	02
09	0502012952	LOWER COPYING ARM	04	04
10	0502012953	ARTICULATE MINOR BODY	02	02
11	0503010002	1800 GREASE FITTING	06	06
12	0503010523	1/4" X 2" COTTERPIN	01	01
13	0571018245	1.1/4" UNF X 139 BOLT	08	08
14	0503010044	1-1/4" SELF LOCKING NUT	07	07
15	0571018205	1.1/4"XUNF NUT WITH RECESS	01	01
16	0581010243	WASHER HEX	06	06
17	0503010849	3/8" X 1-1/2" BOLT	03	03
18	0503011236	3/8" X 2" BOLT	02	02
19	0503013357	3/8" SELF-ADJUSTING NUT	05	05
20	0561011883	FLAT WASHER	01	01
21	0581014204	FLAT WASHER	02	02

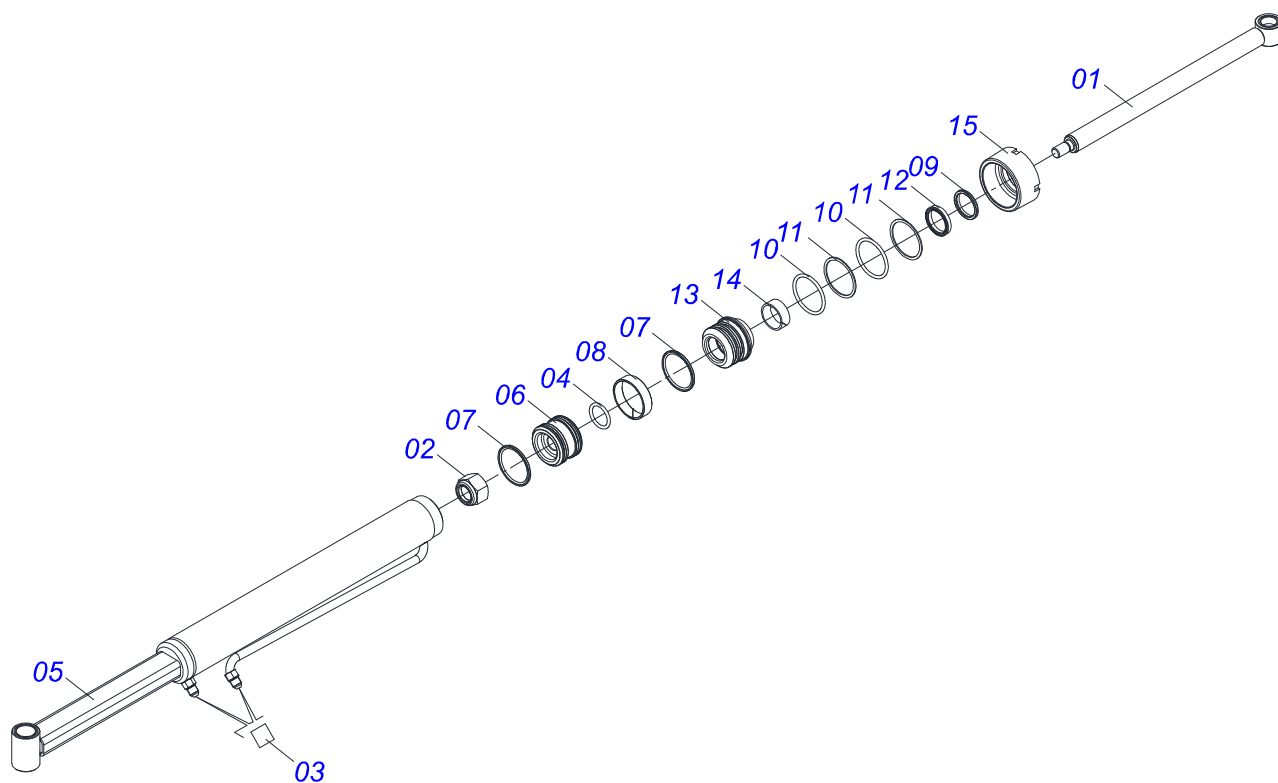


Item	Code	Description	See page	QT
01	0531060872	MOVING SUPPORT		01
02	0502012950	TOWER		02
03	0581010285	CONTROL LOCKING HOOK		01
04	0521068692	LEVEL ROD		01
05	0521067968	ROD GUIDE		01
06	0503011372	102 TO 121 CLAMP		01
07	0503034364	HOSE PROTECTOR		02
08	0581017751	HOSE PROTECTION		01
09	0591010982	WASHER SPACER		04
10	0503010060	1/2" NUT		02
11	0571018264	1.1/4" UNF X 149 ZN BOLT		06
12	0581013575	1.1/4 UNF X 85 BOLT		02
13	0503012555	SCREW 7/16 UNC X 2 CS RT G.7 ZN		03
14	0503010001	3.2 X 5.5 RIVET		04
15	1902010477	UPPER CLAMP BODY		04
16	0581010243	WASHER HEX		08
17	0503034003	SERIAL NUMBER TAG 61 X 118		01
18	0503031827	LUBRICATE AND RETIGHTEN DAILY DECAL		01
19	0503034078	LIFTING POINTS DECAL		01
20	0503031087	ADHESIVE LABEL		01
21	0503031428	READ MANUAL DECAL		01
22	0503062659	SET LABEL ADHESIVE		01
23	0503010143	1/4" SPRING WASHER		04
24	0503010461	1/4" X 1" BOLT		04
25	0503035448	COVER		02
26	0503019901	INTERNAL THREAD RIVET RM 1/4 P30S		04
27	0503010044	1-1/4" SELF LOCKING NUT		08
28	0503010002	1800 GREASE FITTING		18
29	0909096313	HYDRAULIC ASSEMBLY	12	01
30	0909096314	JACK ASSEMBLY	15	01
31	0909096315	ARTICULATION ASSEMBLY	16	01

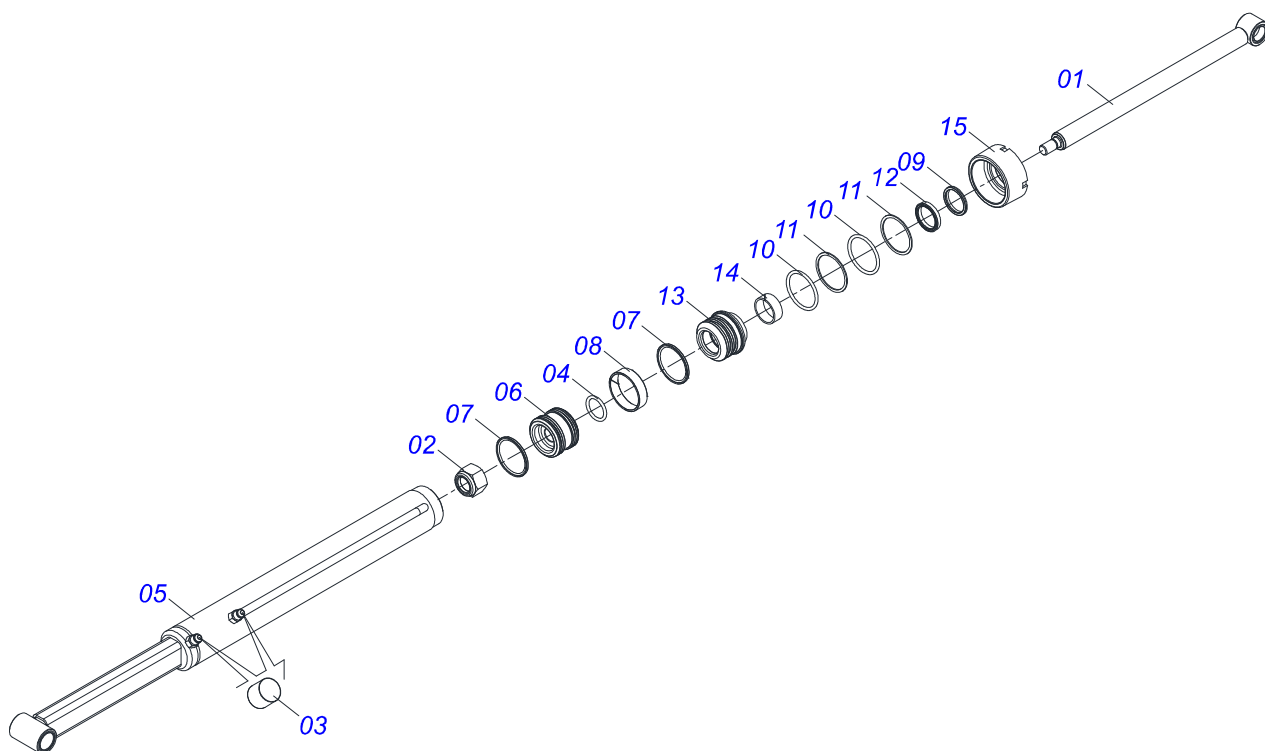


Item	Code	Description	See page	QT
01	0521050256	RIGHT HYDRAULIC CYLINDER Ø44,45 X 76,20 X 4 845 X 555		01
02	0521050255	LEFT HYDRAULIC CYLINDER Ø44,45 X 76,20 X 845 X 555		01
03	0511058222	HYDRAULIC CYLINDER RIGHT	13	01
04	0511058221	HYDRAULIC CYLINDER LEFT	14	01
05	0511057772	SECURITY VALVE ASSY	8	04
06	0503062416	BLOCK COMMAND		02
07	0503010851	7/16" X 3.1/2" BOLT		02
08	0503010180	7/16" SPRING WASHER		02
09	0503010190	2-114 N 3006-9B O'RING		12
10	0501010617	3/4" NIPPLE		12
11	0511056982	HOSE SET MOBILE SUPPORT		01
11A	0501080452	3/8" X 98" TR-TR HOSE		04
11B	0501080127	HOSE		01
11C	0501080483	3/8" X 86,6" TR-TR HOSE		01
11D	0501080348	3/8 X 1200 TR-TC HOSE		01
11E	0501080451	3/8" X 94.5" TR-TC HOSE ASSY		01
11F	0501080375	3/8 X 600 TR-TC HOSE		01
11G	0501080419	3/8 X 2100 TR-TC HOSE		01
11H	0501080320	3/8" X 82,6" TR-TR HOSE		01
11I	0501080027	3/8" X 39,3" TR-TR HOSE ASSY		01

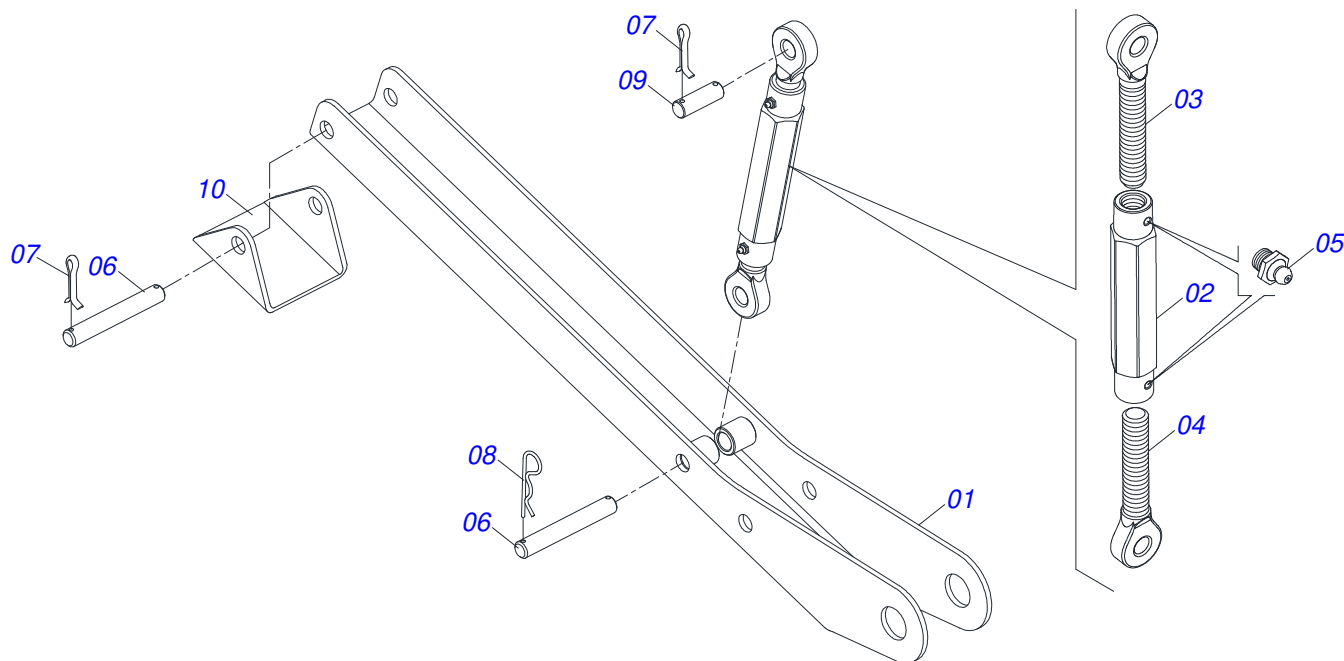




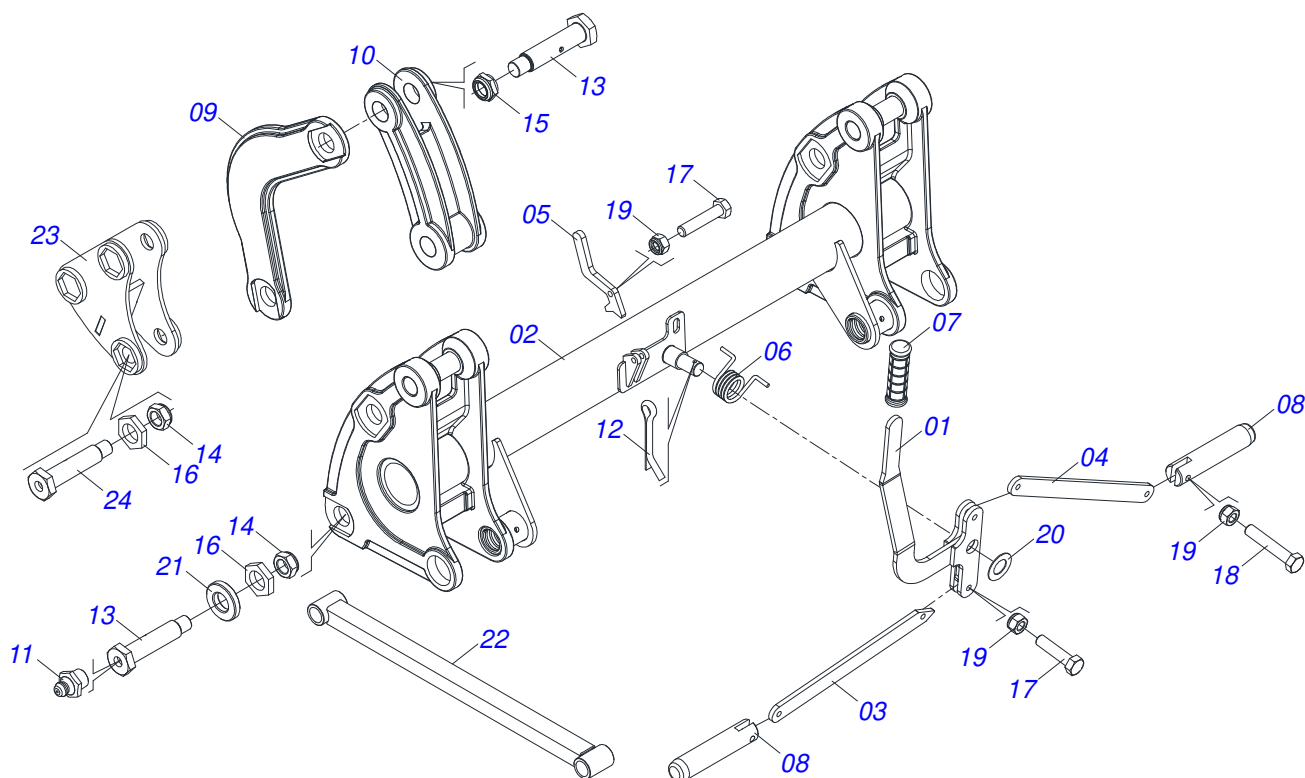
Item	Code	Description	See page	QT
01	0521065738	44,45 X 836 WELDED ROD PCA-T 1500 PLUS		01
02	0503010063	1" SELF-ALIGNING NUT		01
03	0503030385	CYLINDER PLUG N-002		02
04	0503010042	2-214 N 3006-9B O'RING		01
05	0521065704	RIGHT CYLINDER CASE WITH EXTENDER		01
06	0581010304	PISTON		01
07	0503018138	RING BS		02
08	0503018140	RING GUIDE		01
09	0503010761	D-1750 SCRAPER RING		01
10	0503010343	2-334 N 3006-9B O'RING		02
11	0503011059	8-334 BACK-UP RING		02
12	0503017937	GASKET		01
13	0581010301	RING SUPPORT		01
14	0503017938	RING GUIDE		01
15	0502011899	MOBILE COVER		01



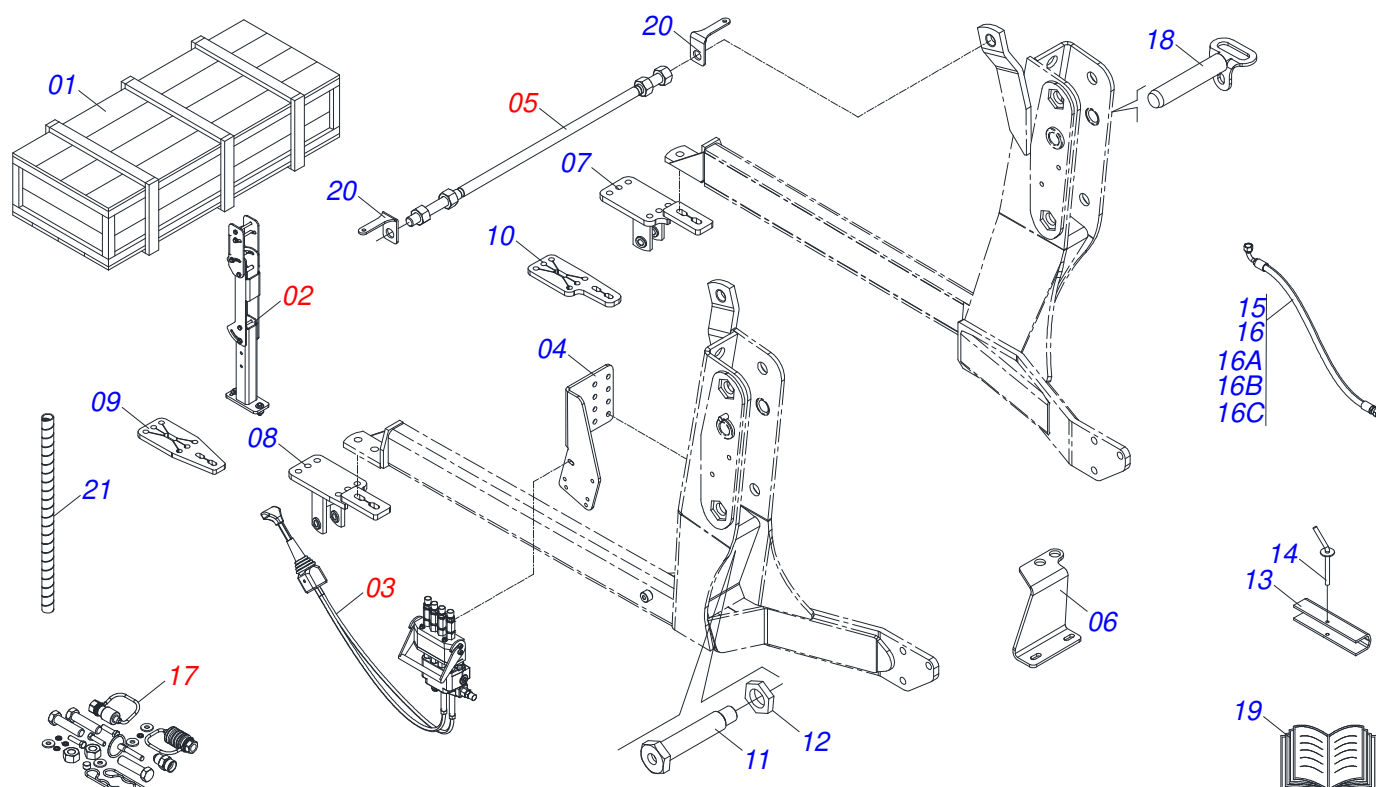
Item	Code	Description	See page	QT
01	0521065738	44,45 X 836 WELDED ROD PCA-T 1500 PLUS		01
02	0503010063	1" SELF-ALIGNING NUT		01
03	0503030385	CYLINDER PLUG N-002		02
04	0503010042	2-214 N 3006-9B O'RING		01
05	0521065737	LEFT CYLINDER CASE WITH EXTENDER		01
06	0581010304	PISTON		01
07	0503018138	RING BS		02
08	0503018140	RING GUIDE		01
09	0503010761	D-1750 SCRAPER RING		01
10	0503010343	2-334 N 3006-9B O'RING		02
11	0503011059	8-334 BACK-UP RING		02
12	0503017937	GASKET		01
13	0581010301	RING SUPPORT		01
14	0503017938	RING GUIDE		01
15	0502011899	MOBILE COVER		01



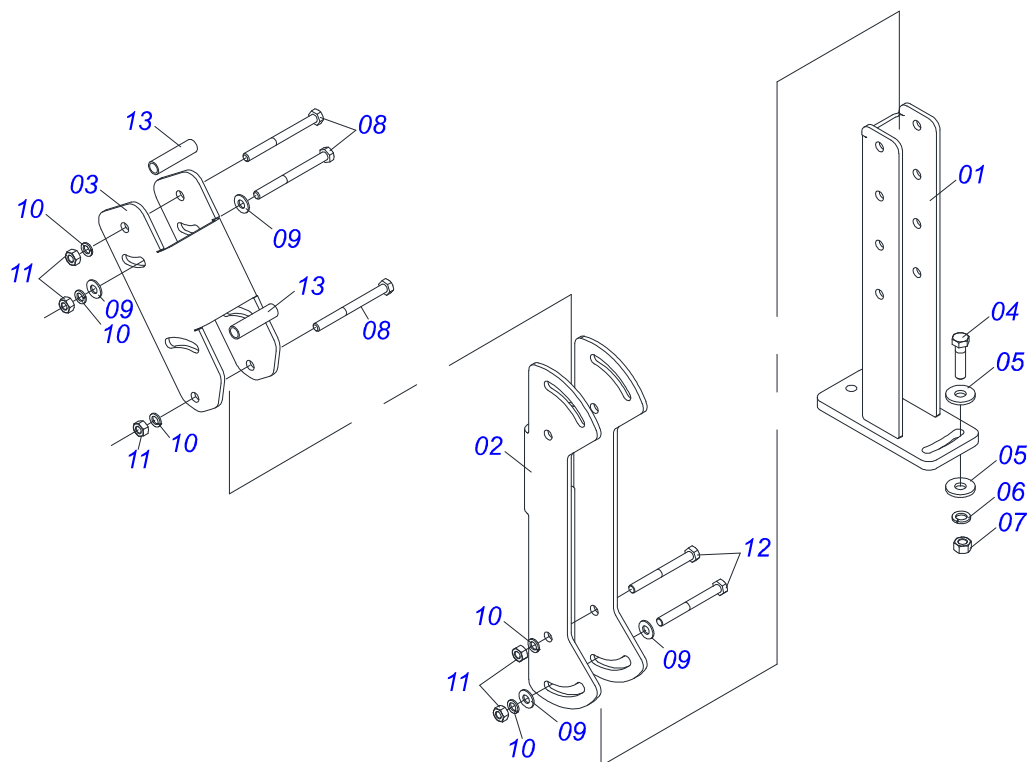
Item	Code	Description	See page	QT
01	0521065756	PLOUGH SUPPORT BODY		02
02	0502012530	REGULATOR NUT BODY R1		02
03	0502012562	LEFT SPINDLE R1 X 160		02
04	0502012529	RIGHT SPINDLE R1 X 160		02
05	0503010002	1800 GREASE FITTING		04
06	0571018253	3/4 X 133 PCA-T 1500 COUPLING SHAFT		04
07	0503010071	3/16" X 1" COTTERPIN		06
08	0503030012	HITCH PIN CLIP		02
09	0561015578	3/4 X 56 PCA VTR A750 COUPLING SHAFT		02
10	0571018252	REST BASE		02



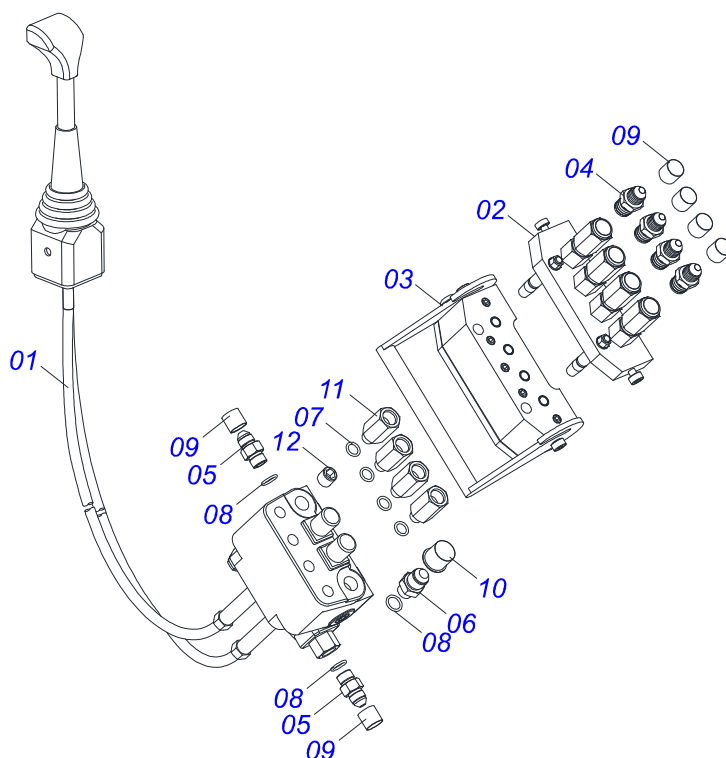
Item	Code	Description	See page	QT
01	0521065888	LEVER		01
02	0531060874	ARTICULATOR		01
03	0571018125	RIGHT ARM OF THE UNLOCK		01
04	0571018935	SPRING SUPPORT ARM		01
05	0571018934	PENDULUM LOCKS		01
06	0503034192	TORSION SPRING		01
07	0503037382	Ø25 X 120 PVC HANDLE		01
08	0571018129	PIN LOCK ACCESSORY		02
09	0502012952	LOWER COPYING ARM		04
10	0502012953	ARTICULATE MINOR BODY		02
11	0503010002	1800 GREASE FITTING		06
12	0503010523	1/4" X 2" COTTERPIN		01
13	0571018245	1.1/4" UNF X 139 BOLT		08
14	0503010044	1-1/4" SELF LOCKING NUT		07
15	0571018205	1.1/4"XUNF NUT WITH RECESS		01
16	0581010243	WASHER HEX		08
17	0503010849	3/8" X 1-1/2" BOLT		03
18	0503011236	3/8" X 2" BOLT		02
19	0503013357	3/8" SELF-ADJUSTING NUT		05
20	0561011883	FLAT WASHER		01
21	0581014204	FLAT WASHER		02
22	0521067538	COPIER ARM		02
23	0502012951	COPIER UPPER		02
24	0571018264	1.1/4" UNF X 149 ZN BOLT		06



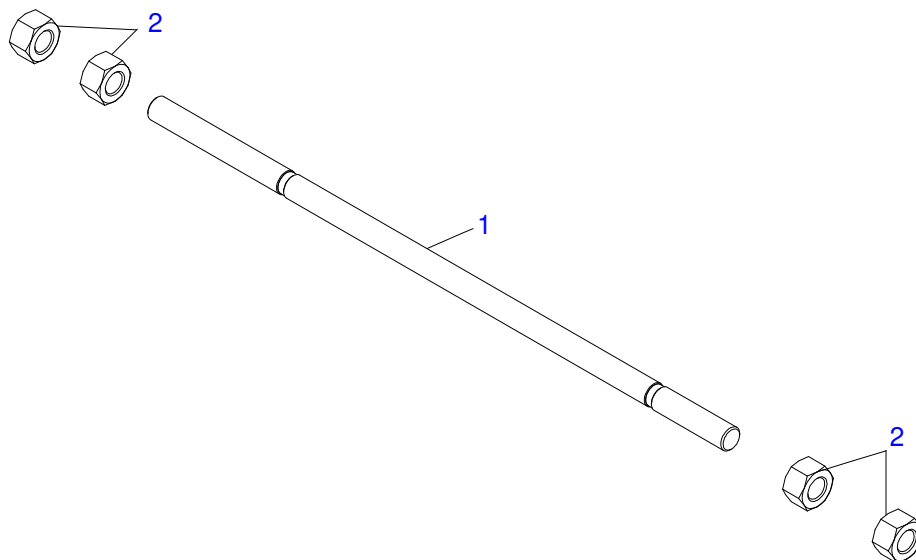
Item	Code	Description	See page	QT
01	0501100416	WOODEN BOX		01
02	0521045393	SET SUPPORT JOY STICK	18	01
03	0521045676	COMPLETE SET COMMAND	19	01
04	0581014119	FIXER BASE		01
05	0501043212	ROD 1.1/4" NC X 3.818" ASSY	20	01
06	0561016418	SUPPORT TANK OIL		01
07	0521063770	LEFT BRACKET		01
08	0521061641	FRAME BRACKET		01
09	0561016408	FRAME BRACKET		01
10	0571013046	BRACKET		01
11	0581013410	1.1/4" UNF X 155 BOLT		02
12	0581010243	WASHER HEX		02
13	0531017238	LOCK TRANSPORT		02
14	0501068994	0.3" X 3.1" LOCK PIN		02
15	0501080109	1/2" X 800 TR-TR HOSE		01
16	0511057158	HOSE ASSEMBLY		01
16A	0501080714	3/8 X 1600 TR-TC HOSE		01
16B	0501080451	3/8" X 94.5" TR-TC HOSE ASSY		01
16C	0501080041	HOSE 1/2 X 2800 TC-TC		01
17	0511032660	PACKED PARTS	21	01
18	0521067468	MOBILE HOLDER COUPLING HUB		02
19	0511033668	BAG WITH INSTRUCTION MANUAL		01
20	0561010051	HEADLIGHT SUPPORT		02
21	0581010090	SPRING PROTECTION PLASTIC HOSE		02



Item	Code	Description	See page	QT
01	0521065789	LOWER JOYSTICK SUPPORT		01
02	0571018376	CENTRAL BODY SUPPLEMENT OF JOYSTICK		01
03	0571018375	SUPERIOR BODY SUPPLEMENT OF JOYSTICK		01
04	0503010849	3/8" X 1-1/2" BOLT		02
05	0501010984	FLAT WASHER		02
06	0503010025	3/8" SPRING WASHER		02
07	0503010026	3/8" NUT		02
08	0503010848	5/16" X 3.1/2" BOLT		04
09	0501010694	FLAT WASHER		06
10	0503010179	LOCK WASHER		06
11	0503010337	5/16" NUT		06
12	0503011053	5/16" X 3" C S 6.5 ZN BOLT		02
13	0541015551	0.39" X 0.512" X 1.9" SLEEVE		02

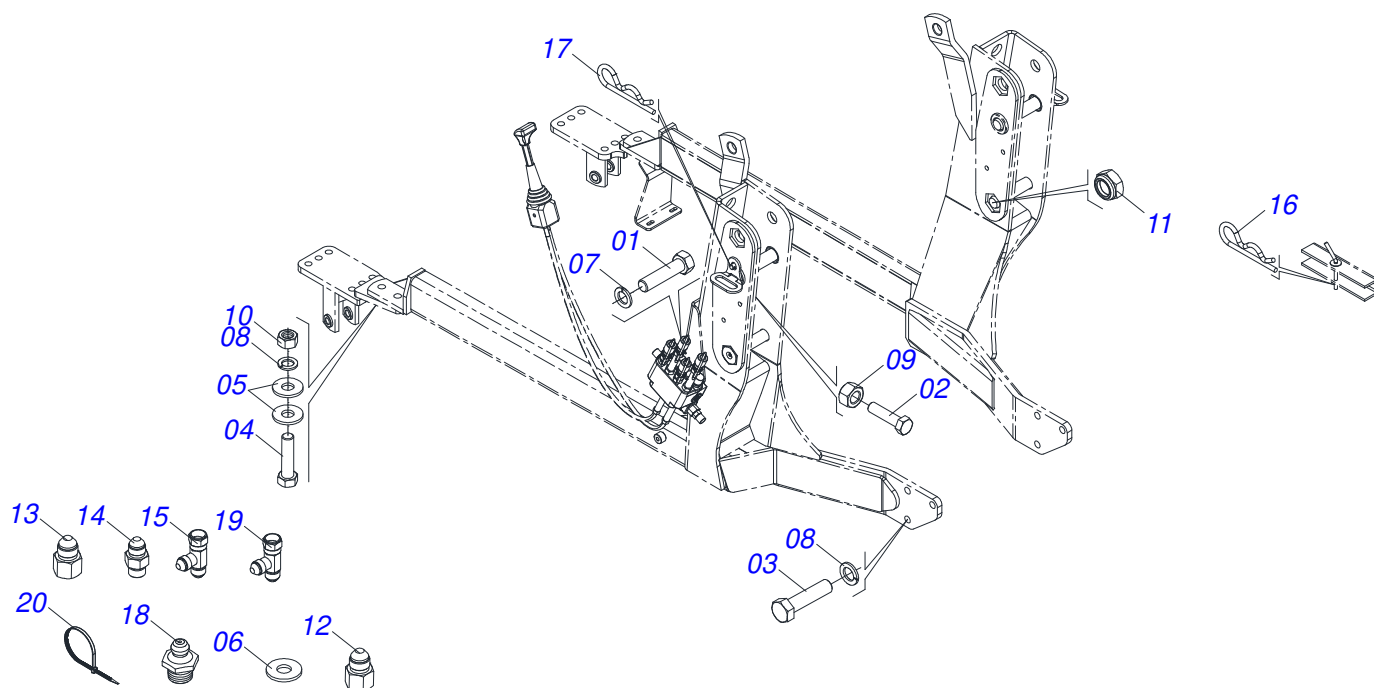


Item	Code	Description	See page	QT
01	0503062412	COMPLETE JOYSTICK CONTROL		01
02	0503062408	QUICK COUPLING STEEL CARBON MULTIFASTER 3PW06-4-12G M C		01
03	0503062409	QUICK COUPLING STEEL CARBON MULTIFASTER 2PW06-4-1/12SFC		01
04	0571015342	3/4" NIPPLE		04
05	0501010617	3/4" NIPPLE		02
06	0501011460	7/8 NF REDUCTION NIPPLE		01
07	0503011108	2-112 O'RING		04
08	0503010190	2-114 N 3006-9B O'RING		03
09	0503030385	CYLINDER PLUG N-002		06
10	0503030387	PLUG		01
11	0571019055	ADAPT 9/16 UNF X 3/4 UNF		04
12	0531017427	3/4" X 06" PUMP		01

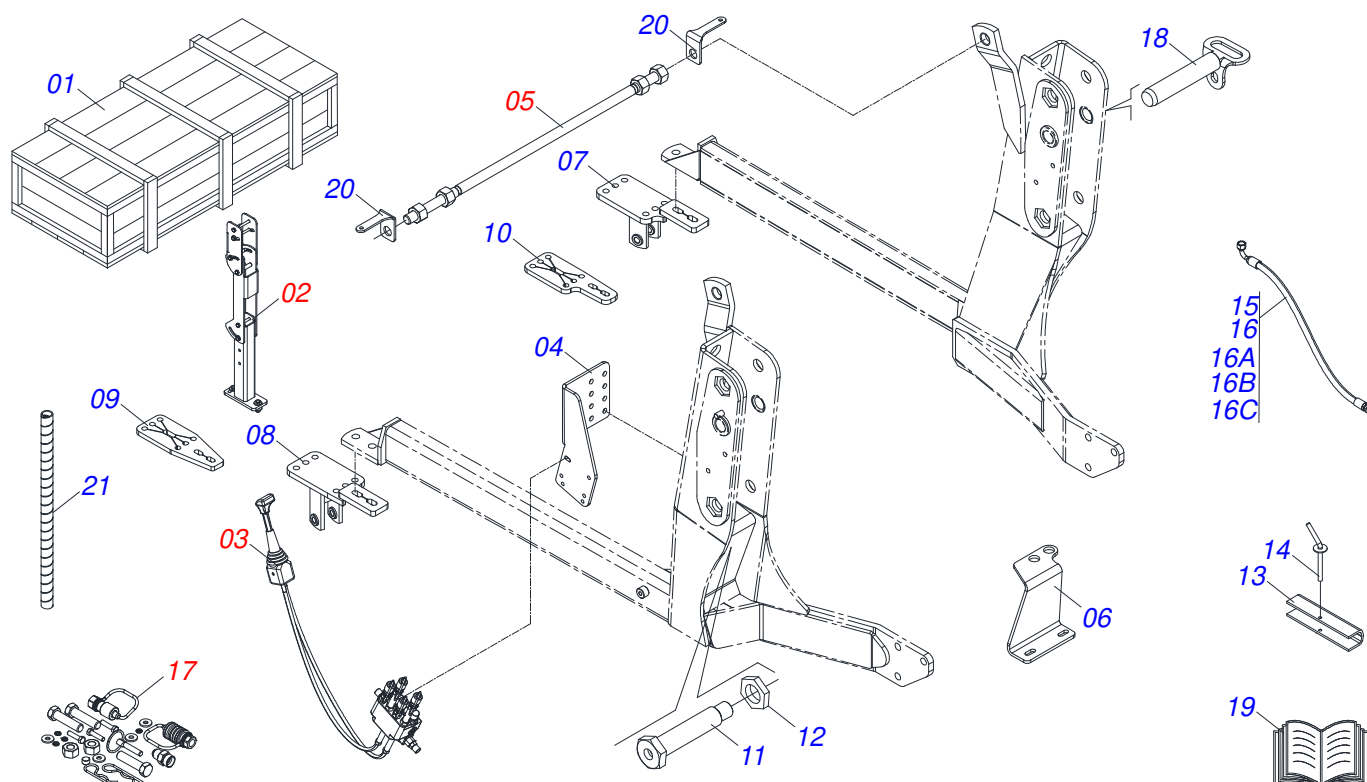


Item	Code	Description	See page	QT
01	0501014915	ROD 1.1/4" NC X 3.818"		01
02	0501010087	1.1/4" NUT		04

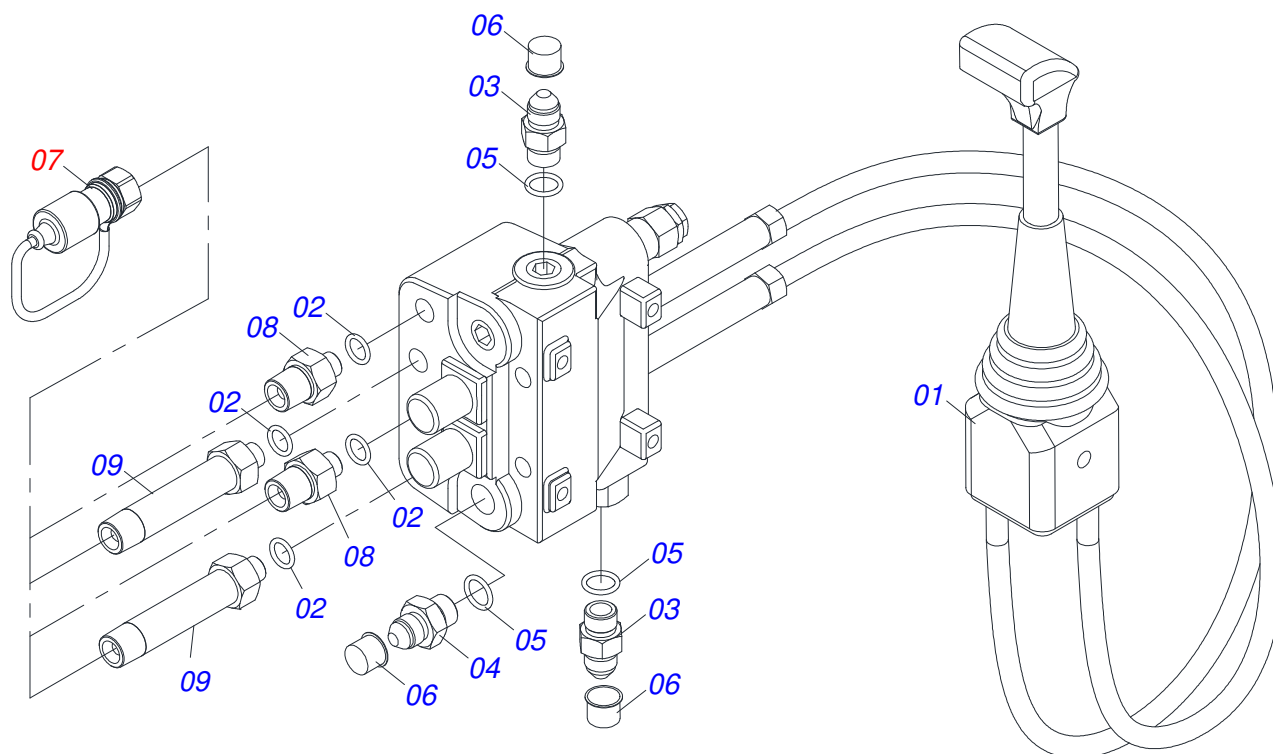




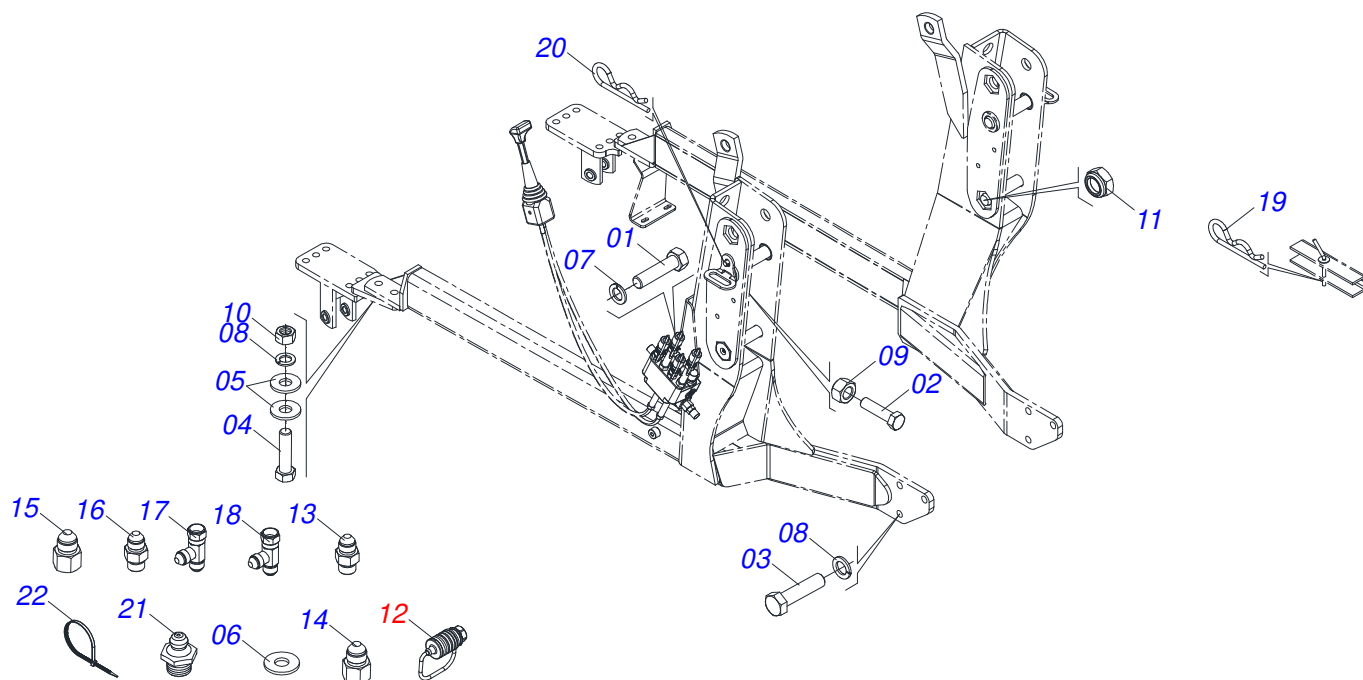
Item	Code	Description	See page	QT
01	0503016506	5/16 UNC X 3/4 C S G.5 ZN BOLT		04
02	0501010063	1/2" X 1-1/2" BOLT		02
03	0501010098	3/4" UNC BOLT		06
04	0501010500	3/4"X3"BOLT		04
05	0501010322	FLAT WASHER		08
06	0501010694	FLAT WASHER		01
07	0503010179	LOCK WASHER		04
08	0503010023	3/4" SPRING WASHER		10
09	0503011336	1/2" HEX SELF ADJUSTING NUT		02
10	0503010014	3/4" NUT		04
11	0503010044	1-1/4" SELF LOCKING NUT		02
12	0571019583	3/4"UNF 16FPP X 1"UNS 14 FPP X 43 NIPPLE		02
13	0571019584	7/8 UNF NIPLE		01
14	0561018342	1" NF NIPPLE		01
15	0503062177	7/8 (V.C) T-ADAPTER WITH NUT		01
16	0503030012	HITCH PIN CLIP		02
17	0503030168	HITCH PIN CLIP		02
18	0503010002	1800 GREASE FITTING		02
19	0503017982	7/8" ADAPTER WITH CENTRAL SWIVEL NUT		01
20	0503013527	CLAMP ZIPER		10



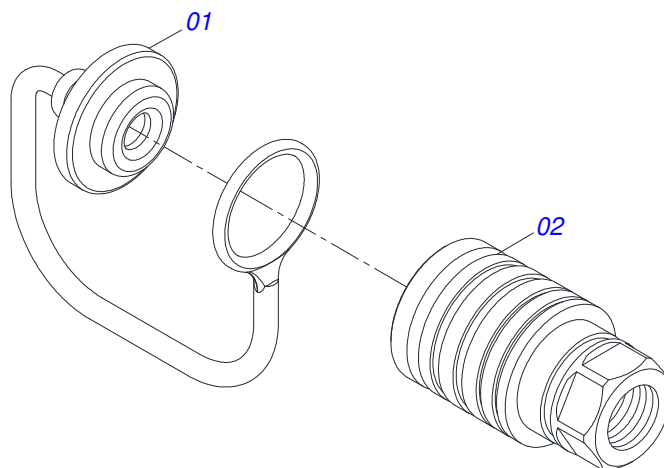
Item	Code	Description	See page	QT
01	0501100416	WOODEN BOX		01
02	0521045393	SET SUPPORT JOY STICK	18	01
03	0521045489	BLOCK COMMAND	23	01
04	0581014119	FIXER BASE		01
05	0501043212	ROD 1.1/4" NC X 3.818" ASSY	20	01
06	0561016418	SUPPORT TANK OIL		01
07	0521063770	LEFT BRACKET		01
08	0521061641	FRAME BRACKET		01
09	0561016408	FRAME BRACKET		01
10	0571013046	BRACKET		01
11	0581013410	1.1/4" UNF X 155 BOLT		02
12	0581010243	WASHER HEX		02
13	0531017238	LOCK TRANSPORT		02
14	0501068994	0.3" X 3.1" LOCK PIN		02
15	0501080109	1/2" X 800 TR-TR HOSE		01
16	0511057158	HOSE ASSEMBLY		01
16A	0501080714	3/8 X 1600 TR-TC HOSE		01
16B	0501080451	3/8" X 94.5" TR-TC HOSE ASSY		01
16C	0501080041	HOSE 1/2 X 2800 TC-TC		01
17	0511032659	PACKED PARTS	24	01
18	0521067468	MOBILE HOLDER COUPLING HUB		02
19	0511033668	BAG WITH INSTRUCTION MANUAL		01
20	0561010051	HEADLIGHT SUPPORT		02
21	0581010090	SPRING PROTECTION PLASTIC HOSE		02



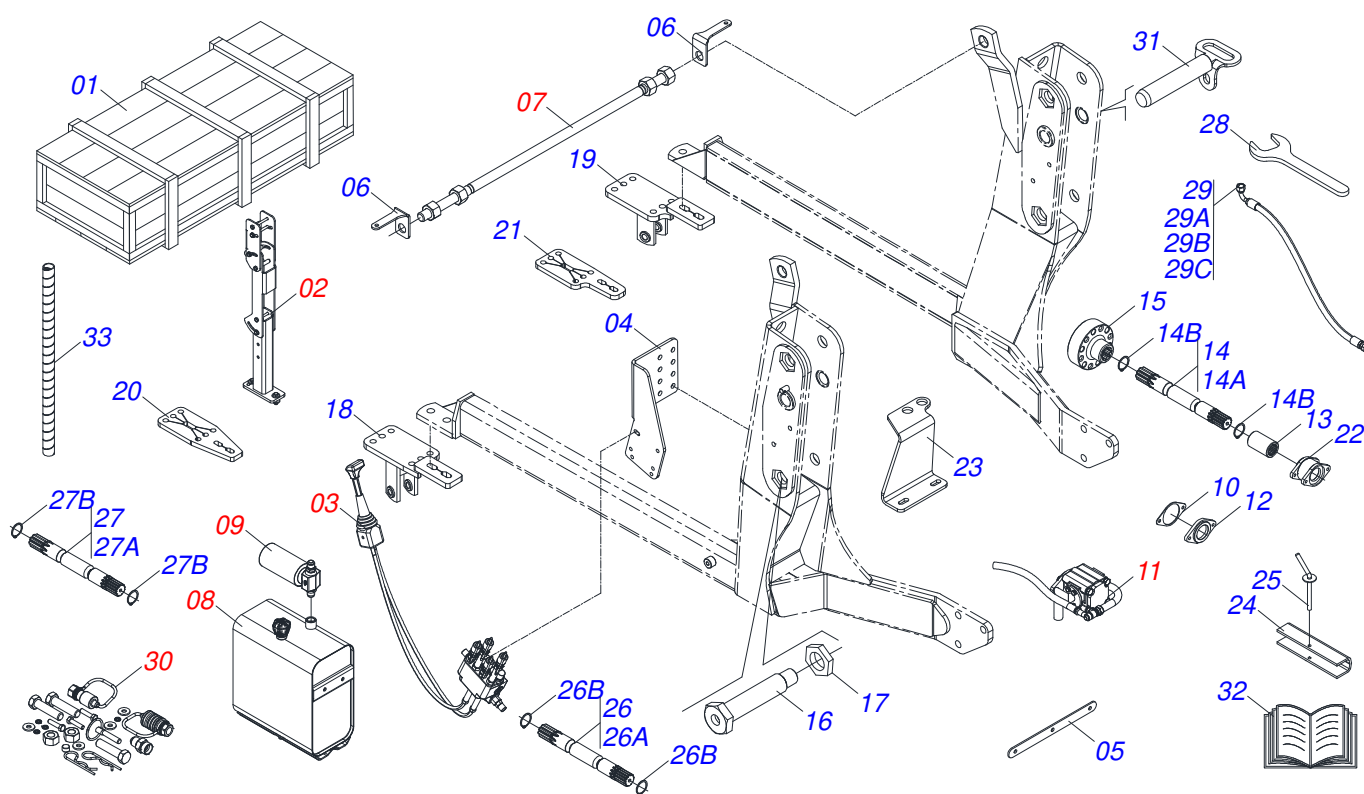
Item	Code	Description	See page	QT
01	0503062412	COMPLETE JOYSTICK CONTROL		01
02	0503011108	2-112 O'RING		04
03	0501010617	3/4" NIPPLE		02
04	0501011460	7/8 NF REDUCTION NIPPLE		01
05	0503010190	2-114 N 3006-9B O'RING		03
06	0503030385	CYLINDER PLUG N-002		03
07	0501053834	MALE QUICK COUPLER	28	04
08	0571018717	ADAPTER		02
09	0571018716	ADAPTER		02



Item	Code	Description	See page	QT
01	0503016506	5/16 UNC X 3/4 C S G.5 ZN BOLT		04
02	0501010063	1/2" X 1-1/2" BOLT		02
03	0501010098	3/4" UNC BOLT		06
04	0501010500	3/4"X3"BOLT		04
05	0501010322	FLAT WASHER		08
06	0501010694	FLAT WASHER		01
07	0503010179	LOCK WASHER		04
08	0503010023	3/4" SPRING WASHER		10
09	0503011336	1/2" HEX SELF ADJUSTING NUT		02
10	0503010014	3/4" NUT		04
11	0503010044	1-1/4" SELF LOCKING NUT		02
12	0501053835	FEMALE QUICK COUPLER	25	04
13	0571015342	3/4" NIPPLE		04
14	0571019583	3/4"UNF 16FPP X 1"UNS 14 FPP X 43 NIPPLE		02
15	0571019584	7/8 UNF NIPPLE		01
16	0561018342	1" NF NIPPLE		01
17	0503062177	7/8 (V.C) T-ADAPTER WITH NUT		01
18	0503017982	7/8" ADAPTER WITH CENTRAL SWIVEL NUT		01
19	0503030012	HITCH PIN CLIP		02
20	0503030168	HITCH PIN CLIP		02
21	0503010002	1800 GREASE FITTING		02
22	0503013527	CLAMP ZIPER		10



Item	Code	Description	See page	QT
01	0503011883	QUICK CONNECTION COVER		01
02	0503011628	FEMALE QUICK COUPLER		01



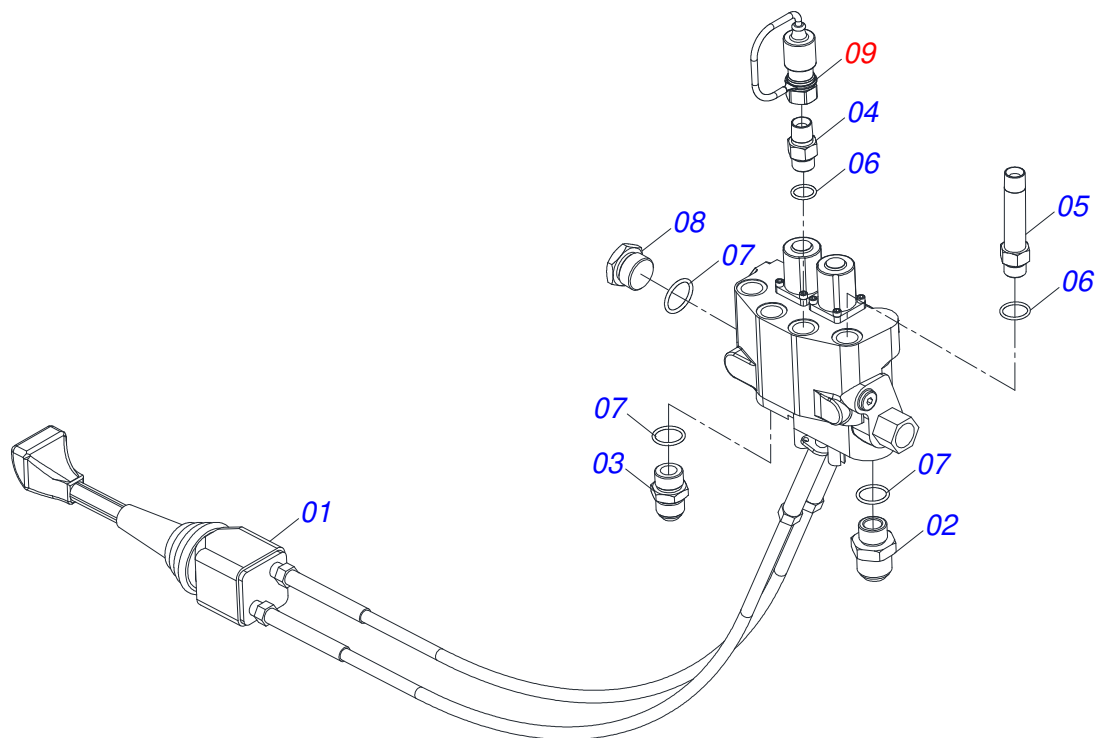
Item	Code	Description	See page	QT
01	0501100416	WOODEN BOX		01
02	0521045393	SET SUPPORT JOY STICK	18	01
03	0521047191	COMMAND	27	01
04	0521067704	TANK AND CONTROL MOUNTING BRACKET		01
05	0561016347	FASTENING SUPPORT RADIATOR PROTECTION		02
06	0561010051	HEADLIGHT SUPPORT		02
07	0501043212	ROD 1.1/4" NC X 3.818" ASSY	20	01
08	0521046987	FULL OIL RESERVOIR	29	01
09	0521050247	R.7/8 LARGER RETURN FILTER	30	01
10	0561016191	SHIM - PD 4292-4		02
11	0501059935	PUMP WITH SUCTION AND PRESSURE DUCTS	31	01
12	0521012242	SUPPORT ADAPTER		01
13	0503030838	1-1/8" X 2.4" SLEEVE		01
14	0501057540	AXIS 385 X 1.1/8 EST1.1/8-30G WITH RING		01
14A	0501068938	15" X 1.1/8 AXLE STRIATED		01
14B	0503010174	501028 CLAMPING RING (FOR AXLE)		02
15	0561016816	120 X 50 ESTR 1.1/8" - COUPLING FLANGE		01
16	0581013410	1.1/4" UNF X 155 BOLT		02
17	0581010243	WASHER HEX		02
18	0521061641	FRAME BRACKET		01
19	0521063770	LEFT BRACKET		01
20	0561016408	FRAME BRACKET		01
21	0571013046	BRACKET		01
22	0511069929	PUMP ADAPTER SUPPORT		01
23	0561016418	SUPPORT TANK OIL		01
24	0531017238	LOCK TRANSPORT		02
25	0501068994	0.3" X 3.1" LOCK PIN		02
26	0511050584			01
26A	0511062958	420 X 1.1/8 STRIATED X 1.1/8-30G AXLE		01
26B	0503010174	501028 CLAMPING RING (FOR AXLE)		02
27	0501057558	475X1.1/8 SPRINGED SHAFT WITH RING		01



BOX WITH COMPONENTS

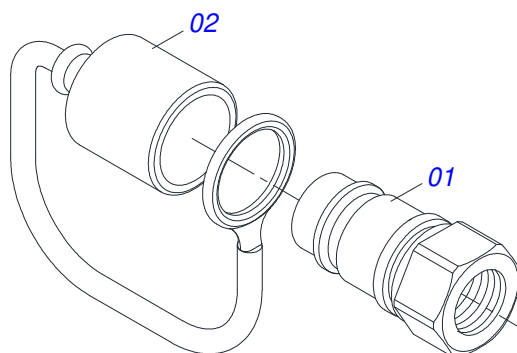
0521023213

Item	Code	Description	See page	QT
27A	0501068936	475 X 1.1/8 STRIATED X 1.1/8-30G AXLE		01
27B	0503010174	501028 CLAMPING RING (FOR AXLE)		02
28	0511010153	2-5/16" FIXED WRENCH		01
29	0521050862	HOSE ASSEMBLY		01
29A	0501014090	1 X 1450 AB-AB HOSE		01
29B	0501080698	3/4" X 106" TC-TC HOSE		01
29C	0521012405	1 X 2100 AB- AB HOSE		01
30	0511032663	PACKED PARTS	32	01
31	0521067468	MOBILE HOLDER COUPLING HUB		02
32	0511033668	BAG WITH INSTRUCTION MANUAL		01
33	0581010090	SPRING PROTECTION PLASTIC HOSE		02



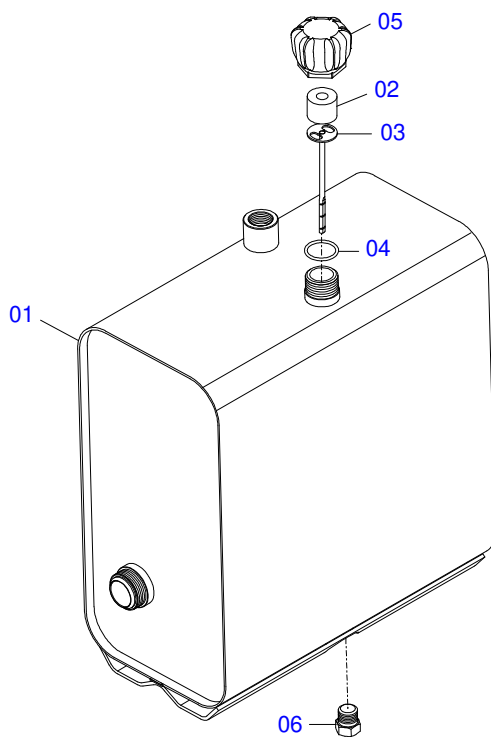
Item	Code	Description	See page	QT
01	0503062415	COMPLETE JOYSTICK CONTROL SDM122/2		01
02	0571018379	NIPPLE FITTING		01
03	0501010589	R. 1.1/16UN SEXT 1.1/4 X 52 NIPPLE		01
04	0581014145	ADAPTER ASSY		02
05	0581014120	STRAIGHT ADAPTER		02
06	0503010045	O'RING		04
07	0503011109	2-119 N 3006-9B O'RING		03
08	0501015335	1.1/16" UN X 22 PLUG		01
09	0501053834	MALE QUICK COUPLER	28	04



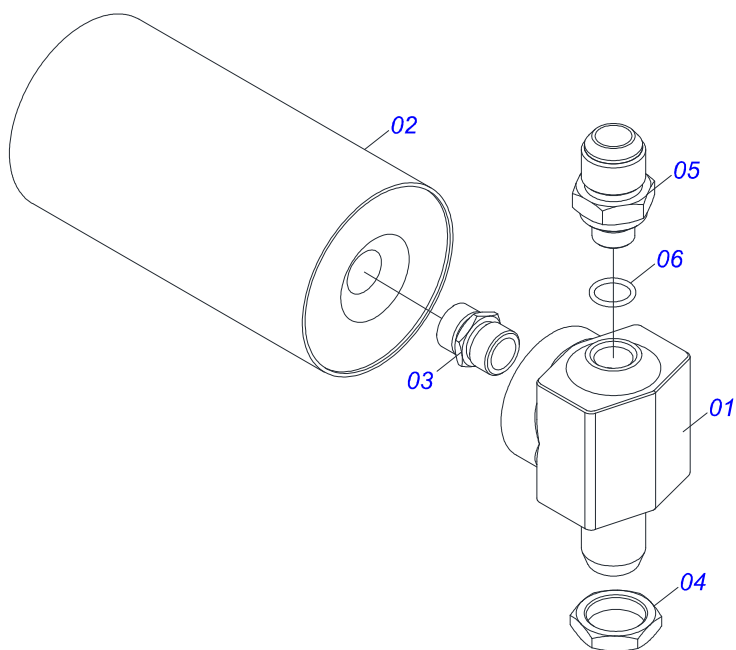


Item	Code	Description	See page	QT
01	0503011627	MALE QUICK COUPLER AGR 1/2 NPT		01
02	0503011882	MALE QUICK COUPLER CAP		01

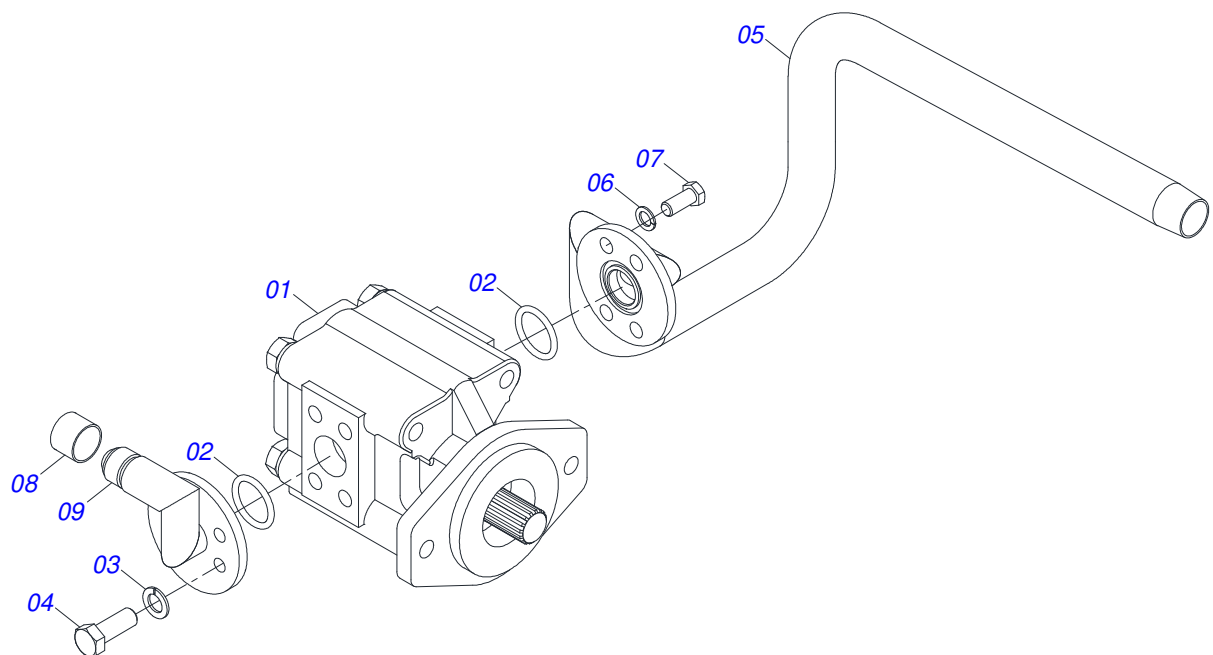
FULL OIL RESERVOIR



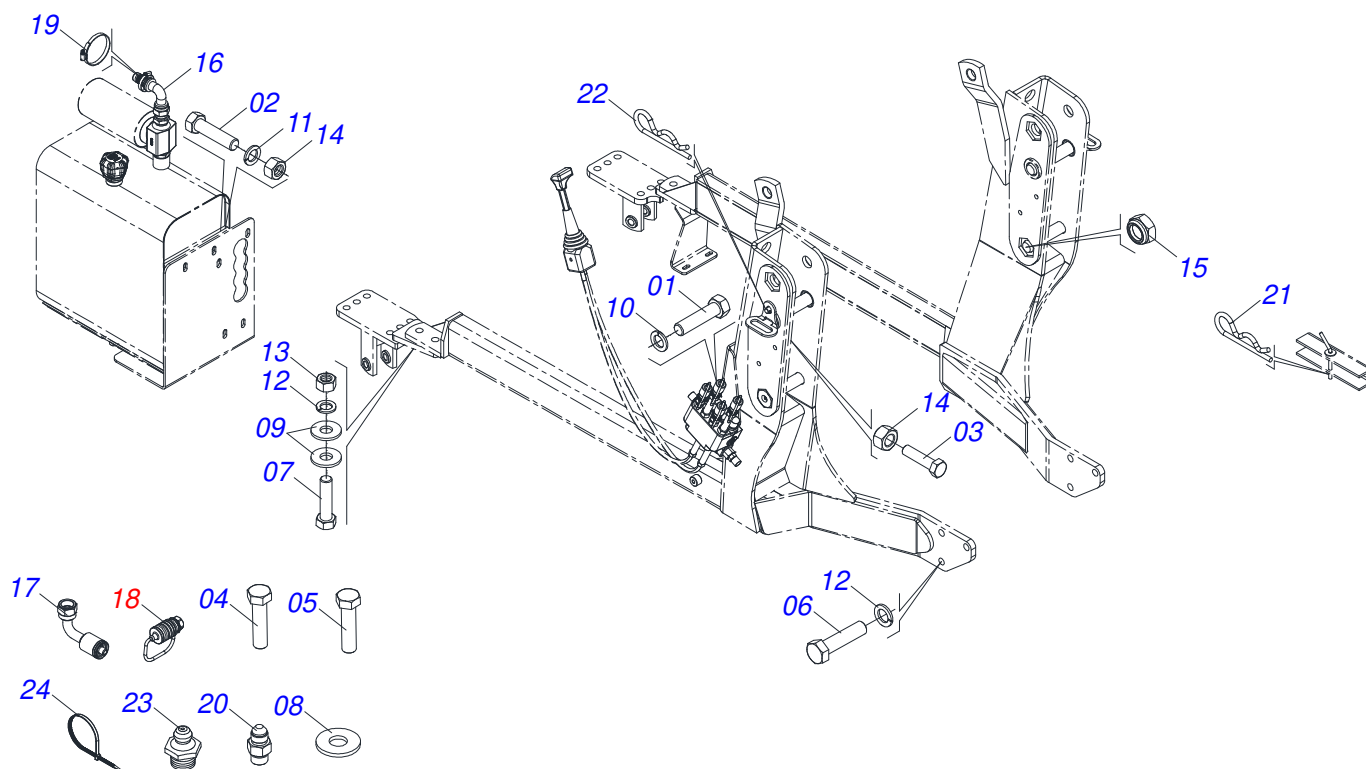
Item	Code	Description	See page	QT
01	0501068880	OIL RESERVOIR		01
02	0503030044	FILTERING ELEMENT		01
03	0501060975	OIL GAGE		01
04	0503010185	2-221 N 3006-9B O'RING		01
05	0502020472	FRONTAL COVER		01
06	0503031604	1/2" BSP PLUG		01



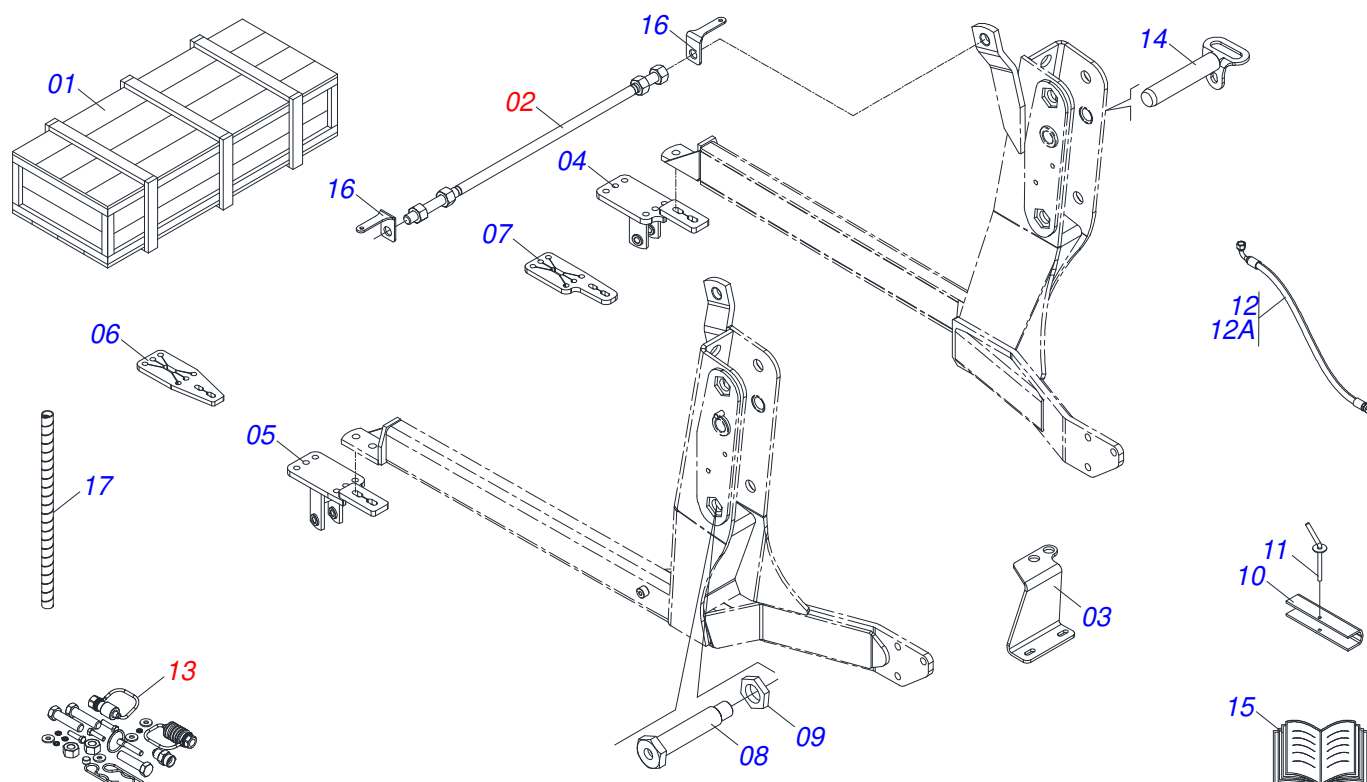
Item	Code	Description	See page	QT
01	0581013367	RETURN FILTER HEAD R.7/8		01
02	0503010183	RETURNING FILTER		01
03	0501010595	1" NF NIPPLE FITTING		01
04	0501010594	1" NUT		01
05	0581013366	R.1.5/16 X R.7/8 X 64 SEXT 1.1/2 NIPPLE FITTING		01
06	0503010045	O'RING		01



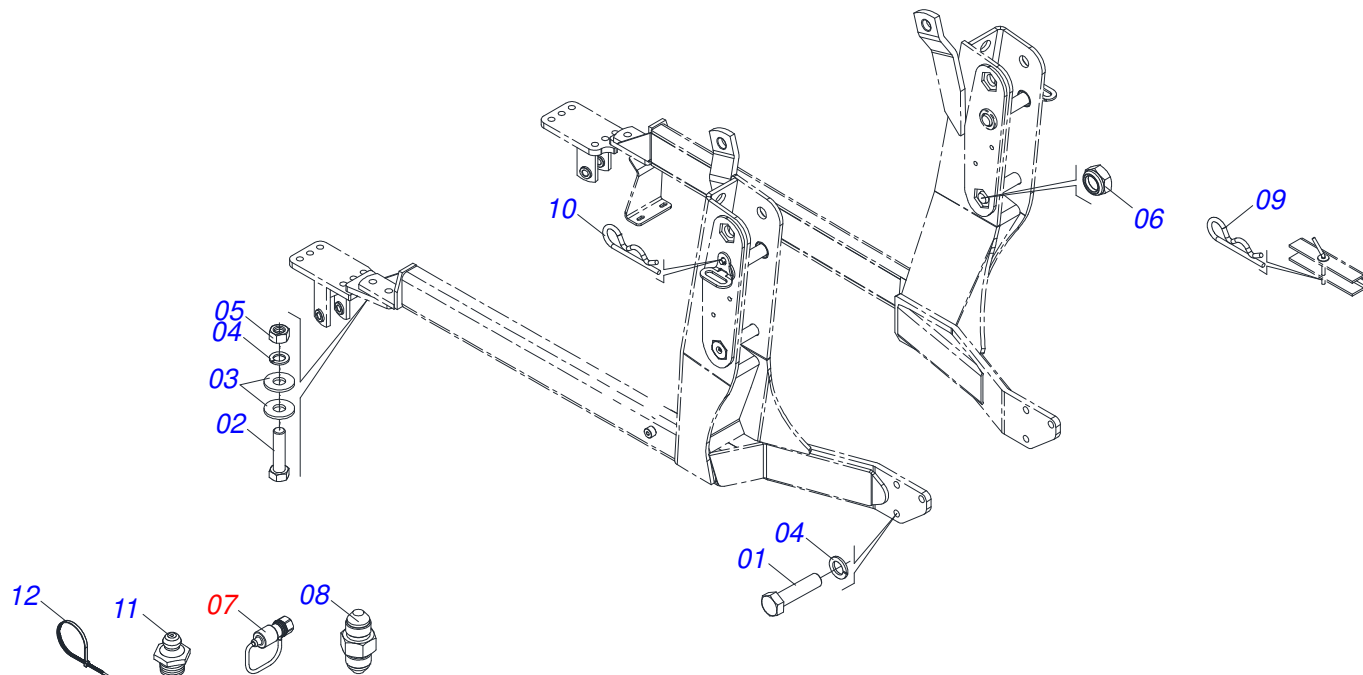
Item	Code	Description	See page	QT
01	0503061770	PUMP WITH TUBE		01
02	0503010173	2-220 N 3006-9B O'RING		02
03	0503010025	3/8" SPRING WASHER		04
04	0503011087	3/8" X 1" BOLT		04
05	0521061552	PUMP SUCTION DUCT - MF 4292/4283-4		01
06	0503010180	7/16" SPRING WASHER		04
07	0503010355	7/16" X 1" BOLT		04
08	0503030388	PLUG N-005		01
09	0501069661	PUMP PRESSURE TUBE		01



Item	Code	Description	See page	QT
01	0503016506	5/16 UNC X 3/4 C S G.5 ZN BOLT		04
02	0501010161	1/2" X 1.1/4" BOLT		04
03	0501010063	1/2" X 1-1/2" BOLT		08
04	0503011172	BOLT 1/2 UNC X 2.1/2 C S G.5 ZN		02
05	0503010384	1/2" X 5" BOLT		02
06	0501010098	3/4" UNC BOLT		06
07	0501010500	3/4"X3"BOLT		04
08	0511017302	FLAT WASHER		12
09	0501010322	FLAT WASHER		08
10	0503010179	LOCK WASHER		04
11	0503010019	1/2" SPRING WASHER		04
12	0503010023	3/4" SPRING WASHER		10
13	0503010014	3/4" NUT		04
14	0503011336	1/2" HEX SELF ADJUSTING NUT		08
15	0503010044	1-1/4" SELF LOCKING NUT		02
16	0503018722	JIC CURVE TERMINAL FOR HOSE 1"		03
17	0503033636			02
18	0501053835	FEMALE QUICK COUPLER	25	04
19	0503010243	CLAMP		04
20	0571015342	3/4" NIPLE		04
21	0503030012	HITCH PIN CLIP		02
22	0503030168	HITCH PIN CLIP		02
23	0503010002	1800 GREASE FITTING		02
24	0503013527	CLAMP ZIPER		10



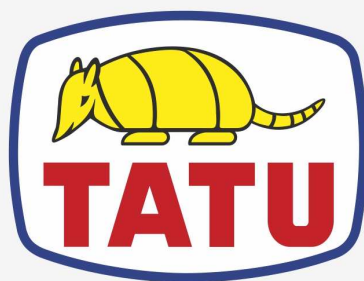
Item	Code	Description	See page	QT
01	0501100416	WOODEN BOX		01
02	0501043212	ROD 1.1/4" NC X 3.818" ASSY	20	01
03	0561016418	SUPPORT TANK OIL		01
04	0521063770	LEFT BRACKET		01
05	0521061641	FRAME BRACKET		01
06	0561016408	FRAME BRACKET		01
07	0571013046	BRACKET		01
08	0581013410	1.1/4" UNF X 155 BOLT		02
09	0581010243	WASHER HEX		02
10	0531017238	LOCK TRANSPORT		02
11	0501068994	0.3" X 3.1" LOCK PIN		02
12	0521050403	HOSE SET		01
12A	0501080384	TR-TM HOSE ASSY		04
13	0511032658	PACKED PARTS	34	01
14	0521067468	MOBILE HOLDER COUPLING HUB		02
15	0511033668	BAG WITH INSTRUCTION MANUAL		01
16	0561010051	HEADLIGHT SUPPORT		02
17	0581010090	SPRING PROTECTION PLASTIC HOSE		02



Item	Code	Description	See page	QT
01	0501010098	3/4" UNC BOLT		06
02	0501010500	3/4"X3"BOLT		04
03	0501010322	FLAT WASHER		08
04	0503010023	3/4" SPRING WASHER		10
05	0503010014	3/4" NUT		04
06	0503010044	1-1/4" SELF LOCKING NUT		02
07	0501053834	MALE QUICK COUPLER	28	04
08	0571018714	3/4"X3/4"UNF NIPPLE UNION (HEXAGONAL 7/8"X50)		04
09	0503030012	HITCH PIN CLIP		02
10	0503030168	HITCH PIN CLIP		02
11	0503010002	1800 GREASE FITTING		02
12	0503013527	CLAMP ZIPER		10







**MARCHESAN**

**Technical Publications | Elaboration and Revision**

LORENA ROCHA ALVES

[www.marchesan.com.br](http://www.marchesan.com.br)

