

PD - FRONT LOADER

PD MF - S/A

Code: 0501093319
Series: S-0119
Revision: 00
Date Revision: JUNHO/2022

PARTS CATALOGUE



MARCHESAN



PRODUCTS

Code	Description
0106030454	PD MF 4707A5710 BT CDC JS GAL ESP S-0119
0106030453	PD MF 4707A5710 BT SC GAL ESP S-0119

ATTENTION: IMPORTANT

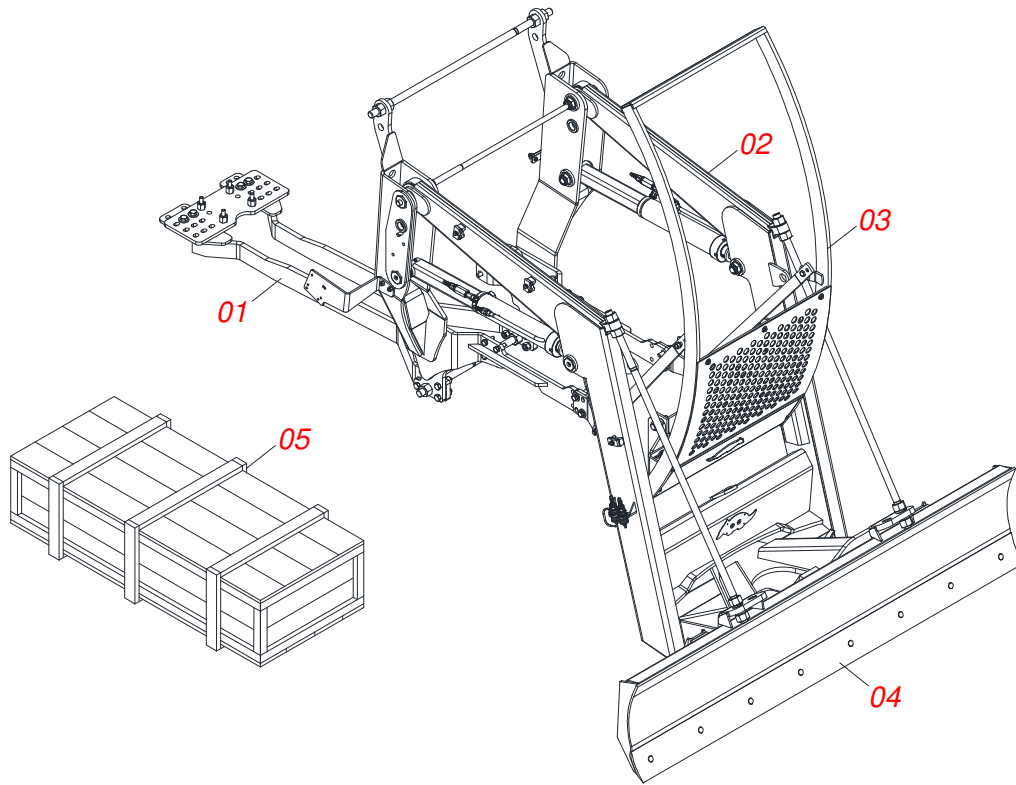
Marchesan S.A. reserves the right to improve and/or modify the technical features of its products, without obligation to do the same with those products already sold and without prior knowledge of the dealer or the consumer. The photos are only illustrative.



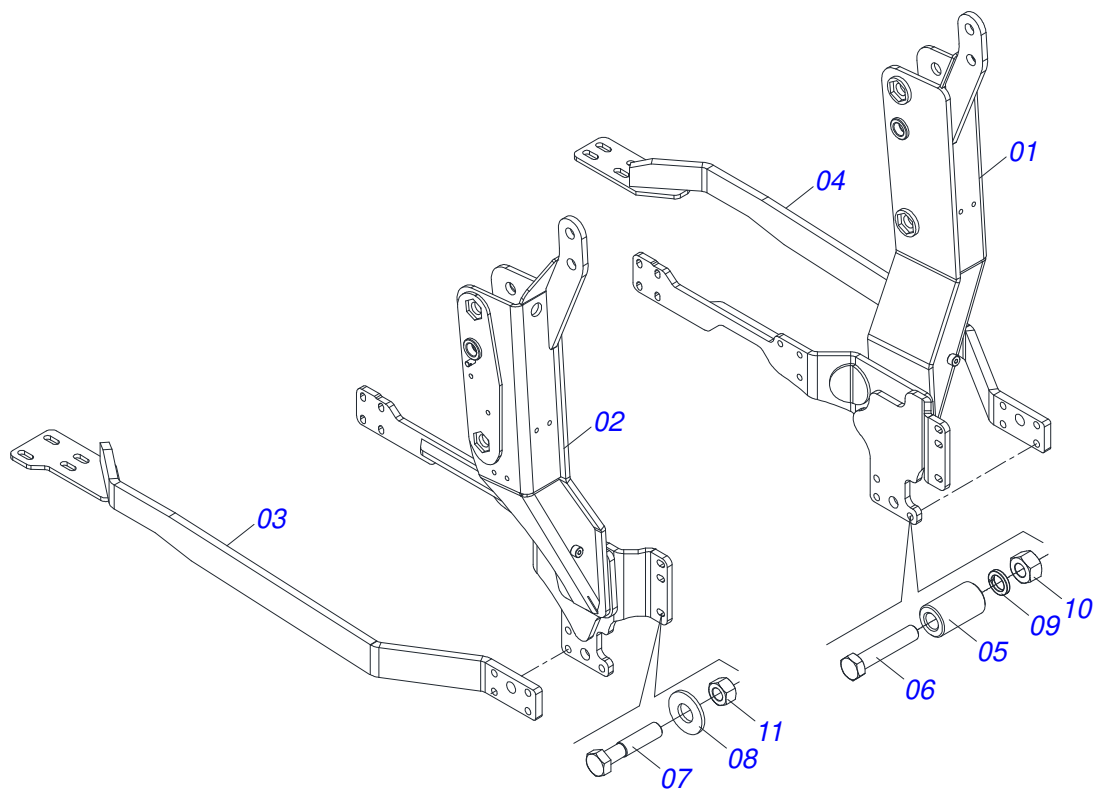
MARCHESAN

INDEX

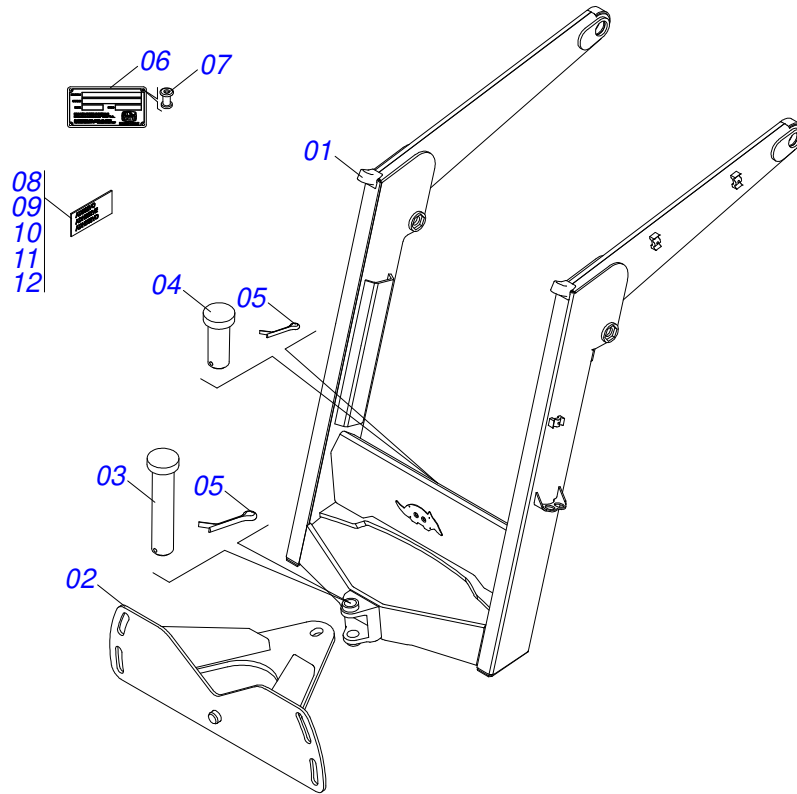
0909096398	ASSY FRAME	1
0521049165	FRAME ASSEMBLY WITH REAR BAR	2
0521046960	ASSY MOVEL SUPPORT	3
0501048330	MOBILE SUPPORT GUIDE ASSY	4
0511047750	2400 SCRAPER ASSY WITH STABILIZER BRACKET	5
0501047708	2400 BLADE SUPPORT	6
0521025553	BOX WITH COMPONENTS	7
0521047176	COMMAND	8
0521045393	SET SUPPORT JOY STICK	9
0501041427	1.1/4" NC X 1540 ASSY ROD	10
0511047399	1.1/4" X 40" ROD	11
0521047554	ROD 1.1 / 4 NC 760 X 4 ASSY WITH NUT	12
0511033538	PACKED PARTS	13
0501053835	FEMALE QUICK COUPLER	14
0909096385	HYDRAULIC CIRCUIT	15
0521050157	44,45 X 85,72 X 1049 X 360 - RIGHT HYDRAULIC CYLINDER	16
0521050158	44,45 X 85,72 X 1049 X 360 - LEFT HYDRAULIC CYLINDER	17
0511057771	R.7/8UNF - SAFETY VALVE	18
0521025552	BOX WITH COMPONENTS	19
0909096386	HYDRAULIC CIRCUIT	20
0511033535	PACKED PARTS	21
0501053834	MALE QUICK COUPLER	22



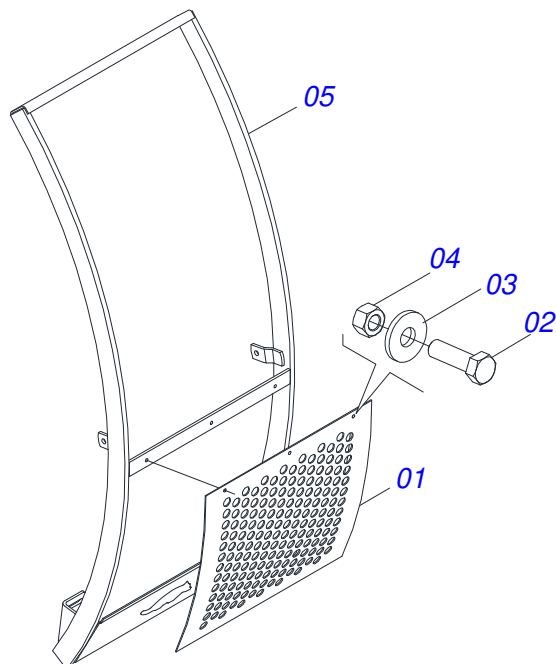
Item	Code	Description	See page	QT
01	0521049165	FRAME ASSEMBLY WITH REAR BAR	2	01
02	0521046960	ASSY MOVEL SUPPORT	3	01
03	0501048330	MOBILE SUPPORT GUIDE ASSY	4	01
04	0511047750	2400 SCRAPER ASSY WITH STABILIZER BRACKET	5	01
05	0521025553	BOX WITH COMPONENTS	7	01
05.	0521025552	BOX WITH COMPONENTS	19	01



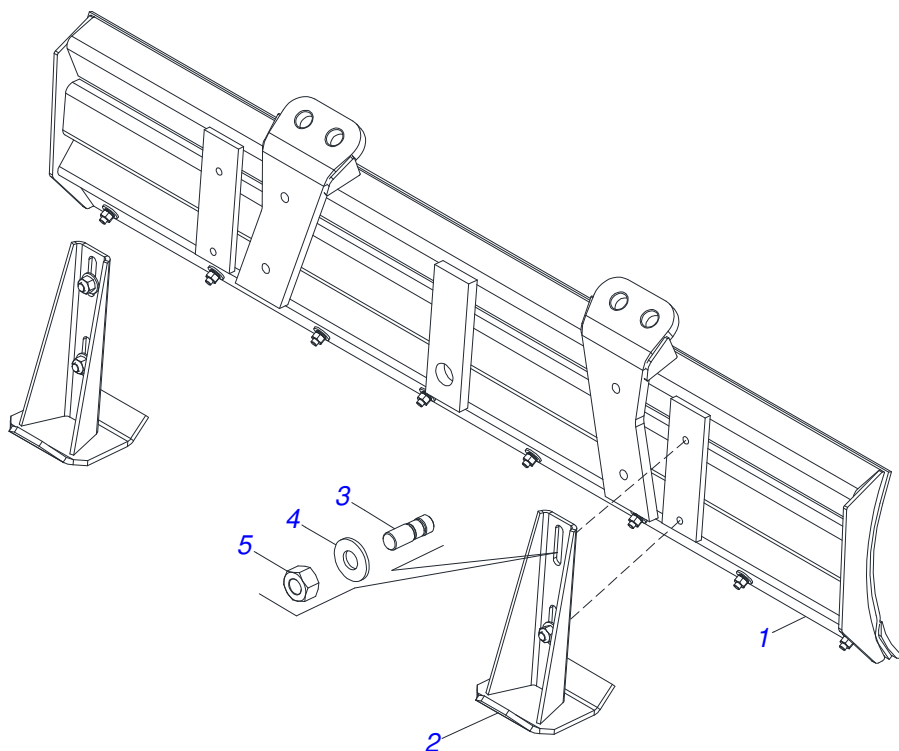
Item	Code	Description	See page	QT
01	0521069963	RIGHT FRAME		01
02	0521069964	LEFT FRAME		01
03	0521069809	LEFT BEAM		01
04	0521069810	RIGHT BEAM		01
05	0581015170	SLEEVE		04
06	0503011084	3/4" X 5" BOLT		04
07	0501011541	5/8" X 3" BOLT		02
08	0501010322	FLAT WASHER		02
09	0503010023	3/4" SPRING WASHER		04
10	0503010014	3/4" NUT		04
11	0503010013	5/8" NUT		02



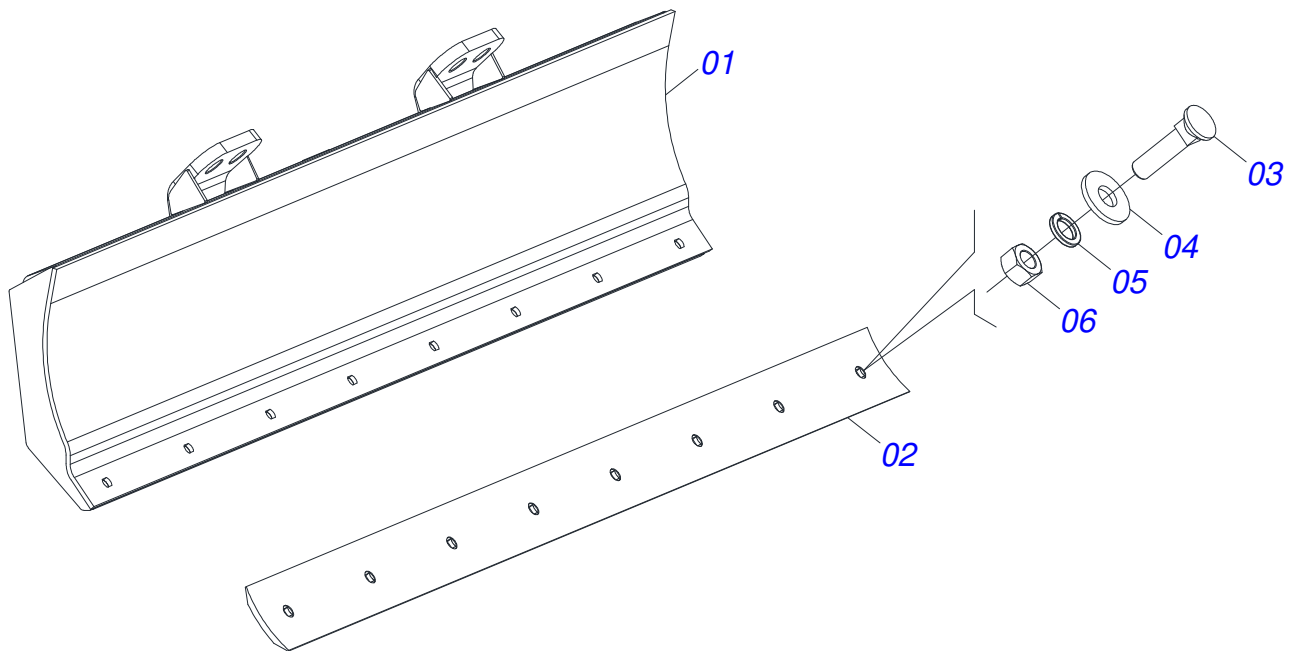
Item	Code	Description	See page	QT
01	0521067528	MOBILE SUPPORT		01
02	0501063368	REGULATOR SUPPORT		01
03	0521010618	1.4" X 8.6" COUPLING SHAFT		01
04	0521010612	1.4" X 3.5" COUPLING SHAFT		01
05	0503010010	1/4" X 2.1/2" COTTERPIN		02
06	0503034003	SERIAL NUMBER TAG 61 X 118		01
07	0503010001	3.2 X 5.5 RIVET		04
08	0503031428	READ MANUAL DECAL		01
09	0503031827	LUBRICATE AND RETIGHTEN DAILY DECAL		01
10	0503062270	SET LABEL ADHESIVE		01
11	0503034078	LIFTING POINTS DECAL		03
12	0503031087	ADHESIVE LABEL		01



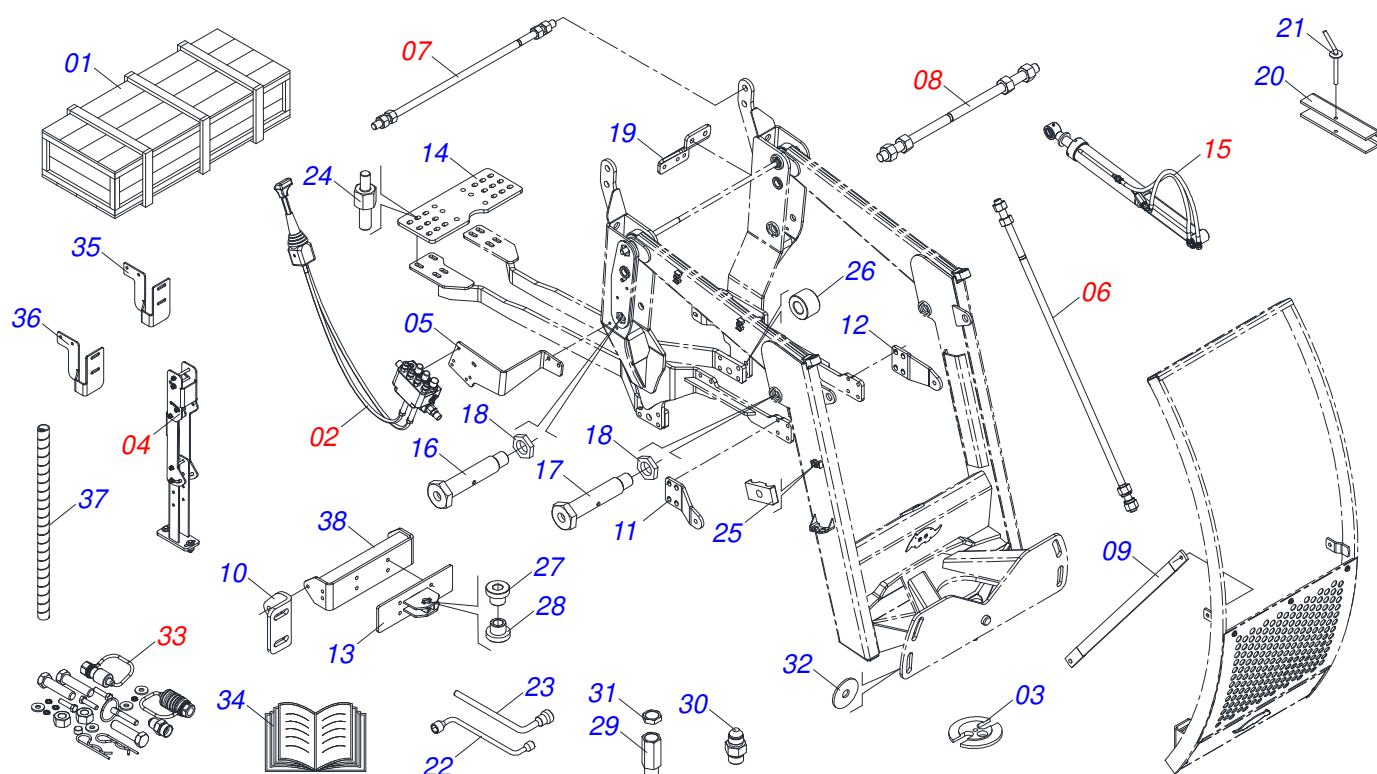
Item	Code	Description	See page	QT
01	0501014686	FRONT PROTECTION		01
02	0503010751	C3/8" X 1.1/4" HEX BOLT G.5		03
03	0501010984	FLAT WASHER		03
04	0503010026	3/8" NUT		03
05	0511061998	MOBILE SUPPORT GUIDE		01



Item	Code	Description	See page	QT
01	0501047708	2400 BLADE SUPPORT	6	01
02	0501063411	ESTABILIZER BRACKET		02
03	0561016756	3/4 UNC X 3/4 UNC X 56 PRISONER		04
04	0501010322	FLAT WASHER		04
05	0503010014	3/4" NUT		04



Item	Code	Description	See page	QT
01	0501067999	2390 BLADE SUPPORT		01
02	0622360016	94.5" SCRAPER REVERSIBLE		01
03	0501012240	BOLT		08
04	0501012140	FLAT WASHER		08
05	0503011445	SPRING WASHER		08
06	0503010013	5/8" NUT		08

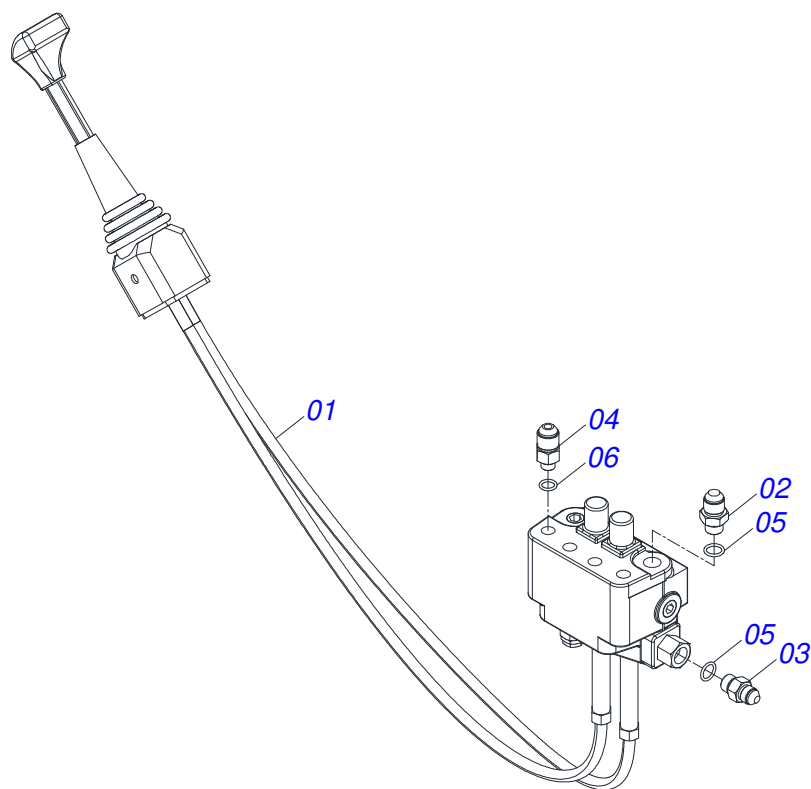


Item	Code	Description	See page	QT
01	0501100441	WOOD BOX		01
02	0521047176	COMMAND	8	01
03	0581013404	PUMP		02
04	0521045393	SET SUPPORT JOY STICK	9	01
05	0591010088	COMMAND SUPPORT		01
06	0501041427	1.1/4" NC X 1540 ASSY ROD	10	02
07	0511047399	1.1/4" X 40" ROD	11	01
08	0521047554	ROD 1.1 / 4 NC 760 X 4 ASSY WITH NUT	12	01
09	0581016940	GUIDE BAR		02
10	0571014003	FASTENING BRACKET OF THE HIGH GUIDE		02
11	0581016769	RIGHT BEATER		01
12	0581016770	LEFT BEATER		01
13	0531061322	SIEVE FIXING SUPPORT		01
14	0581016683	PLATE REAR		01
15	0909096385	HYDRAULIC CIRCUIT	15	01
16	0581013410	1.1/4" UNF X 155 BOLT		04
17	0581013378	GREASE SCREW		02
18	0581010243	WASHER HEX		06
19	0581016630	FIXER SUPPORT		01
20	0531017238	LOCK TRANSPORT		02
21	0501068994	8,30 X 78 LOCK PIN		02
22	0501068213	5/8" WRENCH DOUBLE		01
23	0501061617	1" GANG BOLT WRENCH		01
24	0581016974	STUD		04
25	0502010477	HOSE CLAMP		05
26	0591010080	BUSHING		03
27	0581016942	BUSHING		01
28	0591010509	BUSHING		01
29	0581016628	ADAPTER BODY		01
30	0561018342	1" NF NIPPLE		01
31	0581016949	LOCKNUT		01

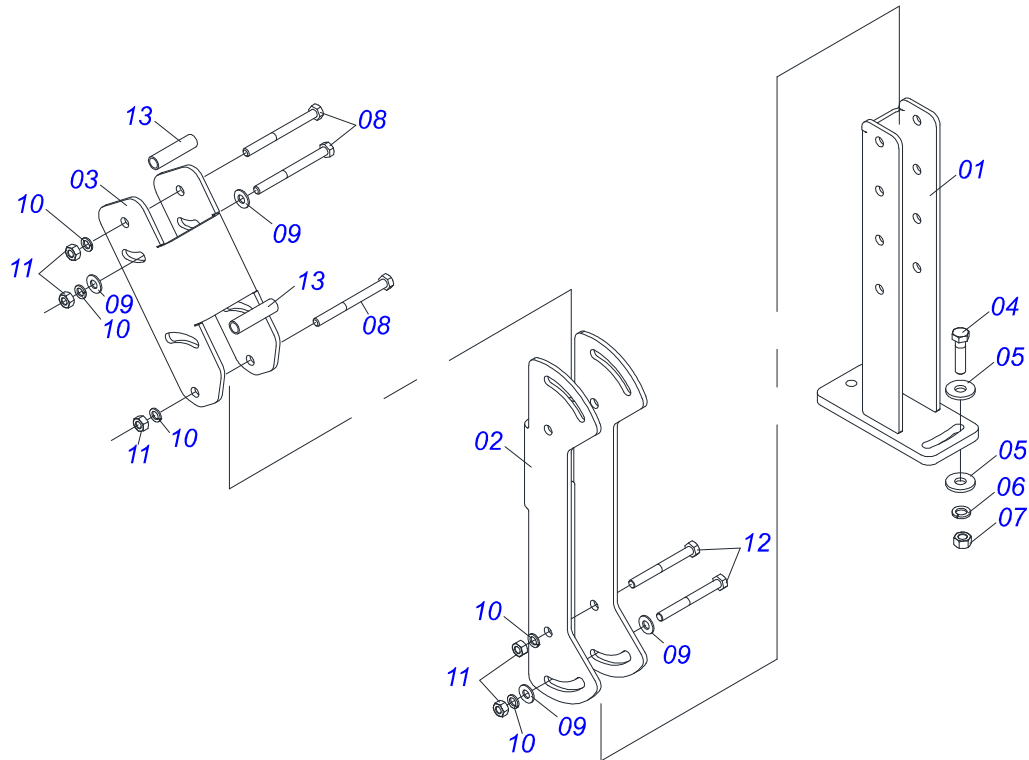


PD MF - S/A
BOX WITH COMPONENTS

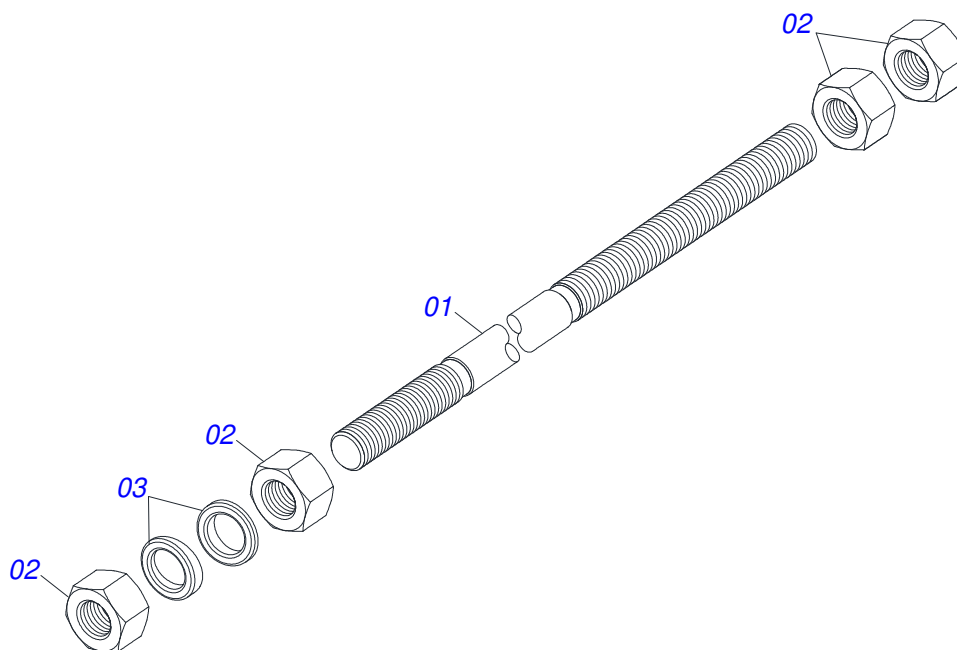
Item	Code	Description	See page	QT
32	0501010574	FLAT WASHER		04
33	0511033538	PACKED PARTS	13	01
34	0511033668	BAG WITH INSTRUCTION MANUAL		01
35	0591012140	LEFT BASE TOOL BOX		01
36	0591012141	TOOL BOX BASE		01
37	0581010090	SPRING PROTECTION PLASTIC HOSE		02
38	0521069965	MOBILE SUPPORT GUIDE FIXER		01



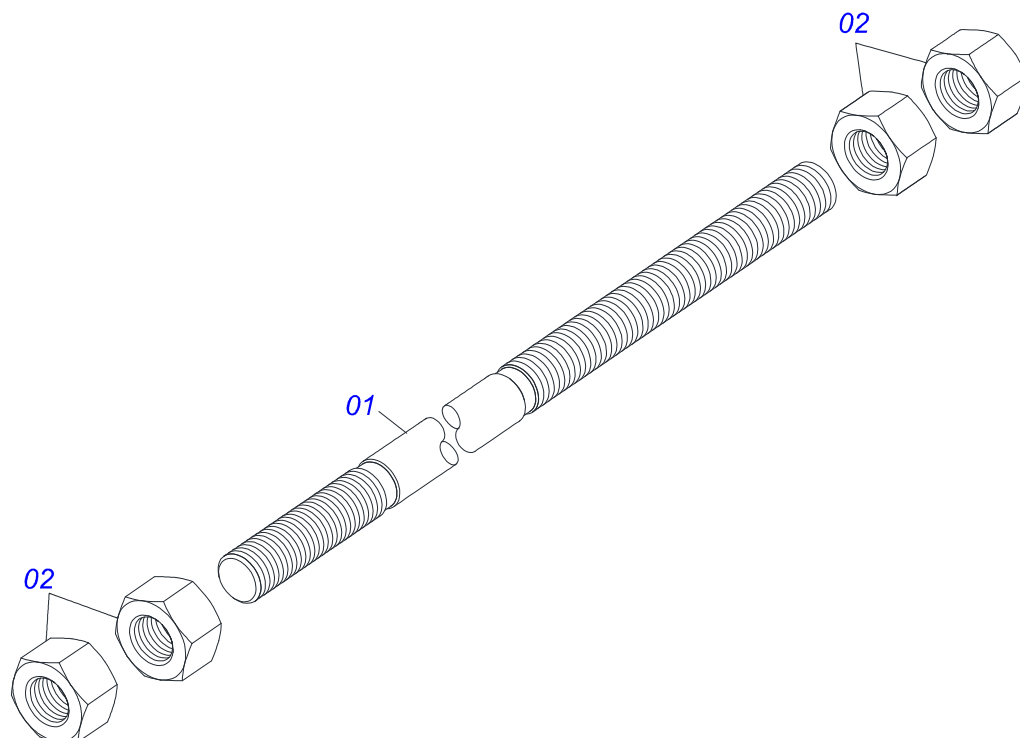
Item	Code	Description	See page	QT
01	0503062412	COMPLETE JOYSTICK CONTROL		01
02	0501011460	7/8 NF REDUCTION NIPPLE		01
03	0501010617	3/4" NIPPLE		02
04	0581013379	R. 7/8 X 9/16 X 50 (SEXT 22,23) NIPPLE		04
05	0503012905	2113 O'RING		03
06	0503013161	2-013 N 3006-9B O'RING		04



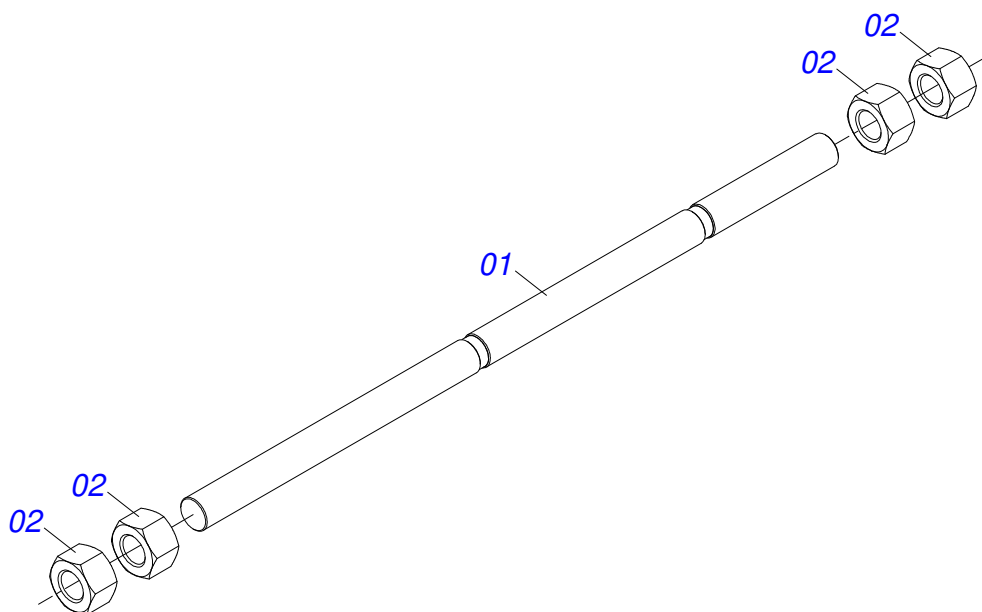
Item	Code	Description	See page	QT
01	0521065789	LOWER JOYSTICK SUPPORT		01
02	0571018376	CENTRAL BODY SUPPLEMENT OF JOYSTICK		01
03	0571018375	SUPERIOR BODY SUPPLEMENT OF JOYSTICK		01
04	0503010849	3/8" X 1-1/2" BOLT		02
05	0501010984	FLAT WASHER		02
06	0503010025	3/8" SPRING WASHER		02
07	0503010026	3/8" NUT		02
08	0503010848	5/16" X 3.1/2" BOLT		04
09	0501010694	FLAT WASHER		06
10	0503010179	LOCK WASHER		06
11	0503010337	5/16" NUT		06
12	0503011053	5/16" X 3" C S 6.5 ZN BOLT		02
13	0541015551	0.39" X 0.512" X 1.9" SLEEVE		02



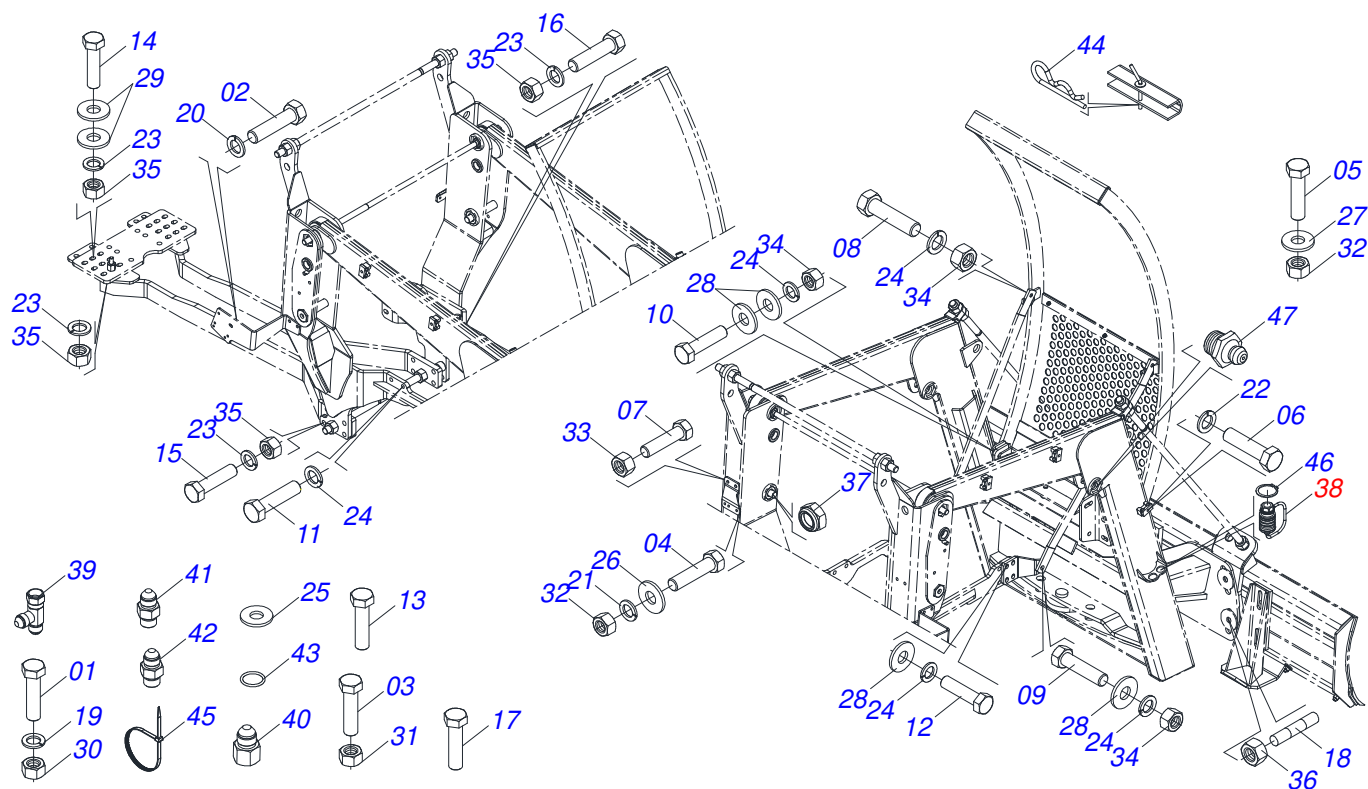
Item	Code	Description	See page	QT
01	0501014250	1.1/4" X 1540 ROD		01
02	0501010087	1.1/4" NUT		04
03	0502012180	CONICAL SPRING WASHER		02



Item	Code	Description	See page	QT
01	0561010598	1.1/4 UNC 7FPP X 1140 ROD		01
02	0501010087	1.1/4" NUT		04



Item	Code	Description	See page	QT
01	0501010628	1.1/4" X 760 ROD		01
02	0501010087	1.1/4" NUT		04

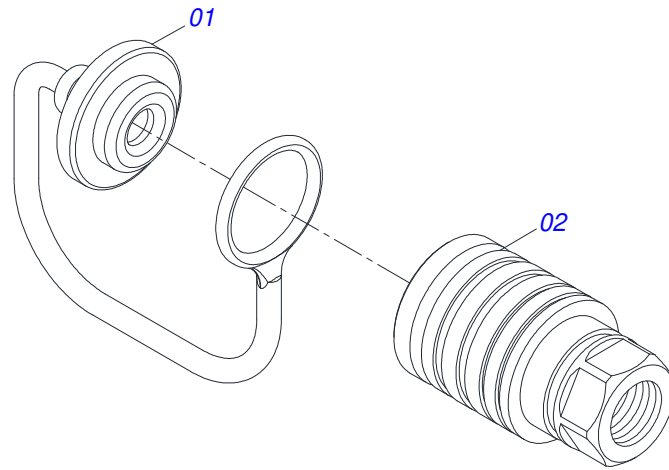


Item	Code	Description	See page	QT
01	0503017866	3/16" X 1,1/2" BOLT		01
02	0503016506	5/16 UNC X 3/4 C S G.5 ZN BOLT		04
03	0503010363	5/16" X 1" BOLT		02
04	0503010849	3/8" X 1-1/2" BOLT		03
05	0503011087	3/8" X 1" BOLT		04
06	0503011135	BOLT		03
07	0501010063	1/2" X 1-1/2" BOLT		04
08	0501010100	SCREW 5/8 UNC X 2 CS G.5 ZN		06
09	0503011243	5/8" X 2" BOLT		02
10	0503010899	5/8" X 2-1/4" BOLT		04
11	0503013378	M16 X 2 X 50 BOLT		12
12	0503019419	BOLT		04
13	0503011188	M16 X 2 X 50 BOLT		04
14	0503013390	3/4" UNC BOLT		04
15	0501010500	3/4"X3"BOLT		03
16	0503011328	3/4" X 4" BOLT		03
17	0501011545	3/4" X 6-1/2" BOLT		01
18	0561016755	PRISONER 1 UNC X 1 UNC X 76 ZN		04
19	0503010668	3/16" SPRING WASHER		01
20	0503010179	LOCK WASHER		06
21	0503010025	3/8" SPRING WASHER		07
22	0503010180	7/16" SPRING WASHER		03
23	0503010023	3/4" SPRING WASHER		15
24	0503010027	5/8" SPRING WASHER		32
25	0501010694	FLAT WASHER		01
26	0501010984	FLAT WASHER		02
27	0501013518	FLAT WASHER		04
28	0501012140	FLAT WASHER		22
29	0501010322	FLAT WASHER		08
30	0503010667	3/16" NUT		01
31	0503010337	5/16" NUT		02

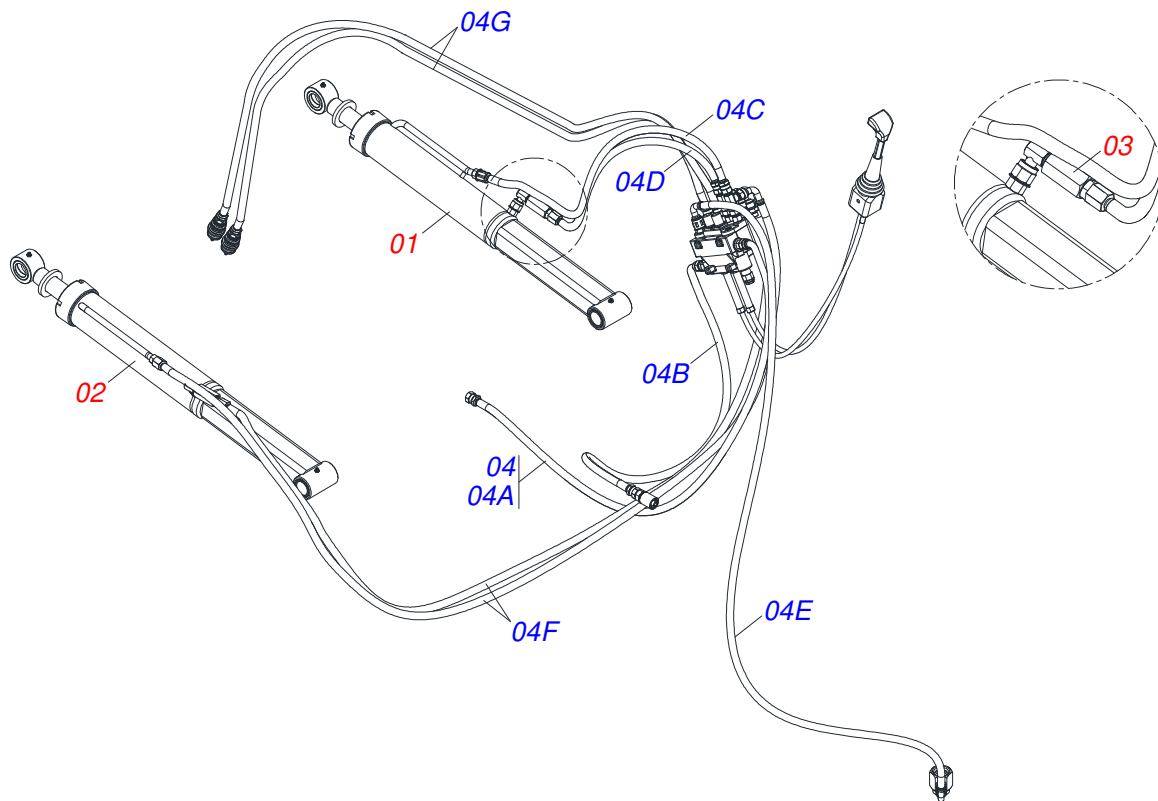


PD MF - S/A
PACKED PARTS

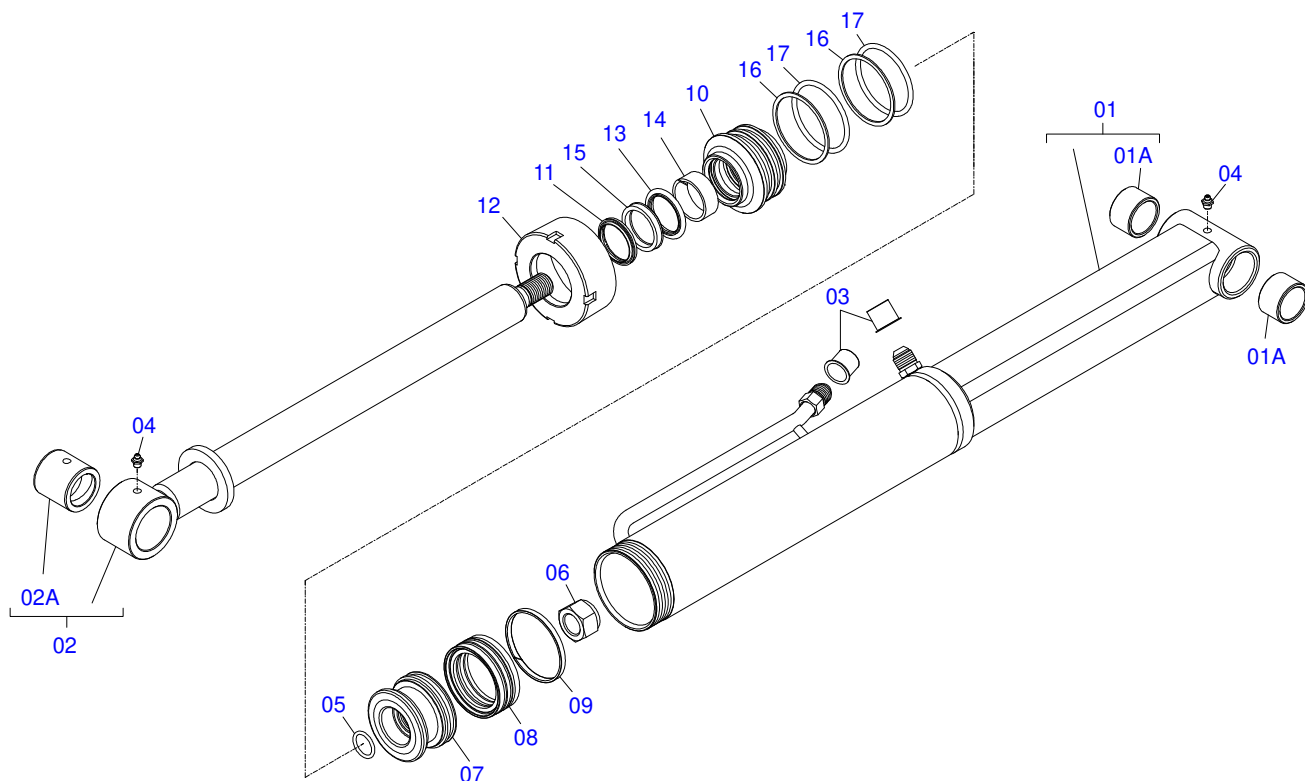
Item	Code	Description	See page	QT
32	0503010026	3/8" NUT		07
33	0503011336	1/2" HEX SELF ADJUSTING NUT		04
34	0503010013	5/8" NUT		12
35	0503010014	3/4" NUT		15
36	0501010059	1.5/8 NUT		04
37	0503010044	1-1/4" SELF LOCKING NUT		06
38	0501053835	FEMALE QUICK COUPLER	14	02
39	0503062177	7/8 (V.C) T-ADAPTER WITH NUT		02
40	0571019584	7/8 UNF NIPPLE		01
41	0501010590	NIPPLE		01
42	0501011460	7/8 NF REDUCTION NIPPLE		02
43	0503011034	RING		01
44	0503030168	HITCH PIN CLIP		02
45	0503013527	CLAMP ZIPER		10
46	0503010217	501040 CLAMPING RING (FOR AXLE)		04
47	0503010002	1800 GREASE FITTING		06



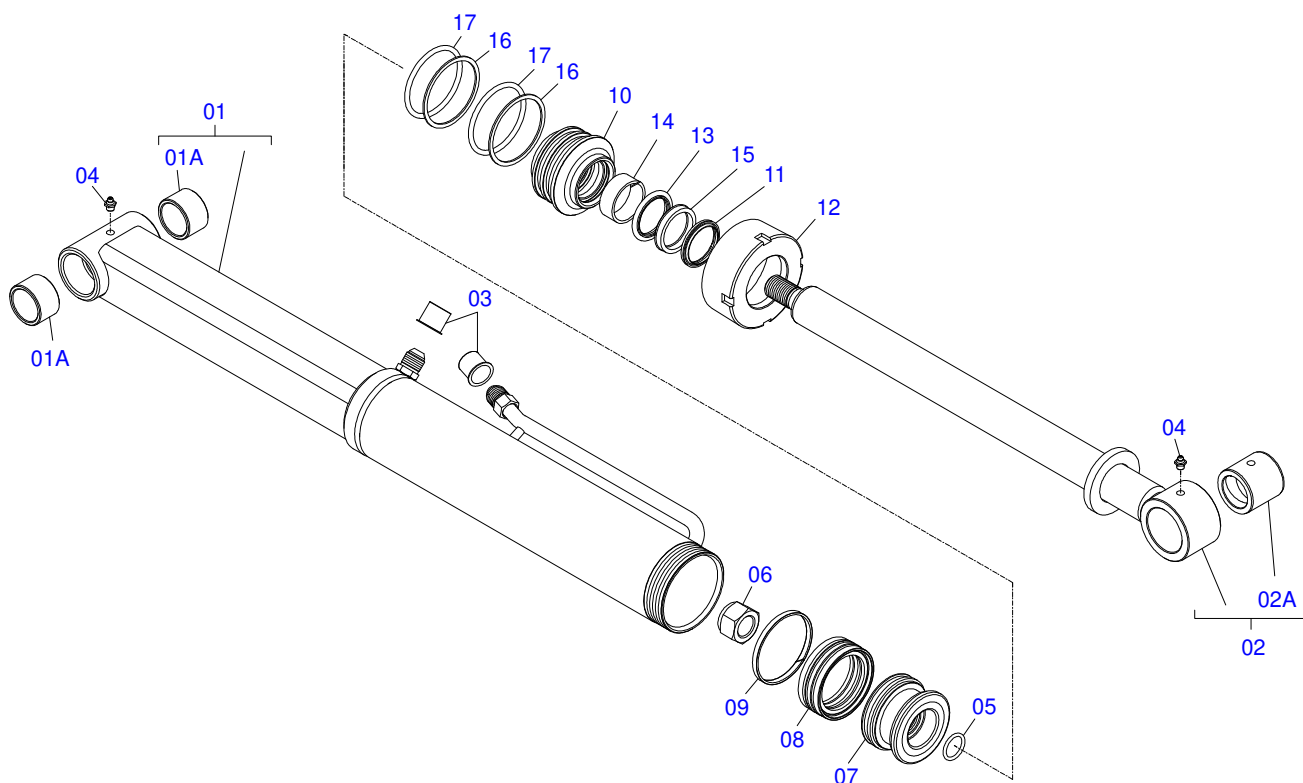
Item	Code	Description	See page	QT
01	0503011883	QUICK CONNECTION COVER		01
02	0503011628	FEMALE QUICK COUPLER		01



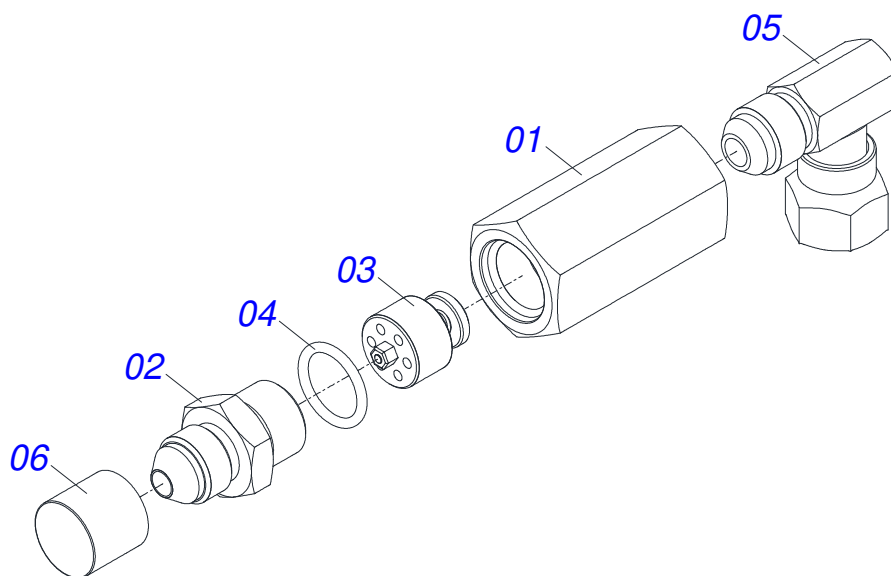
Item	Code	Description	See page	QT
01	0521050157	44,45 X 85,72 X 1049 X 360 - RIGHT HYDRAULIC CYLINDER	16	01
02	0521050158	44,45 X 85,72 X 1049 X 360 - LEFT HYDRAULIC CYLINDER	17	01
03	0511057771	R.7/8UNF - SAFETY VALVE	18	02
04	0521054485	HOSE KIT		01
04A	0501081305	1/2 X 2750 TR-TM HOSE		01
04B	0501080336	1/2" X 2450 TR-TR HOSE		01
04C	0501080224	1/2 X 1750 TR-TR HOSE		01
04D	0501080171	1/2 X 1450 TR-TR HOSE		01
04E	0501080273	1/2 X 2700 HOSE TC-TC		01
04F	0501080272	1/2 X 2700 TR-TC HOSE		02
04G	0501080308	1/2 X 2750 TR-TM HOSE		02



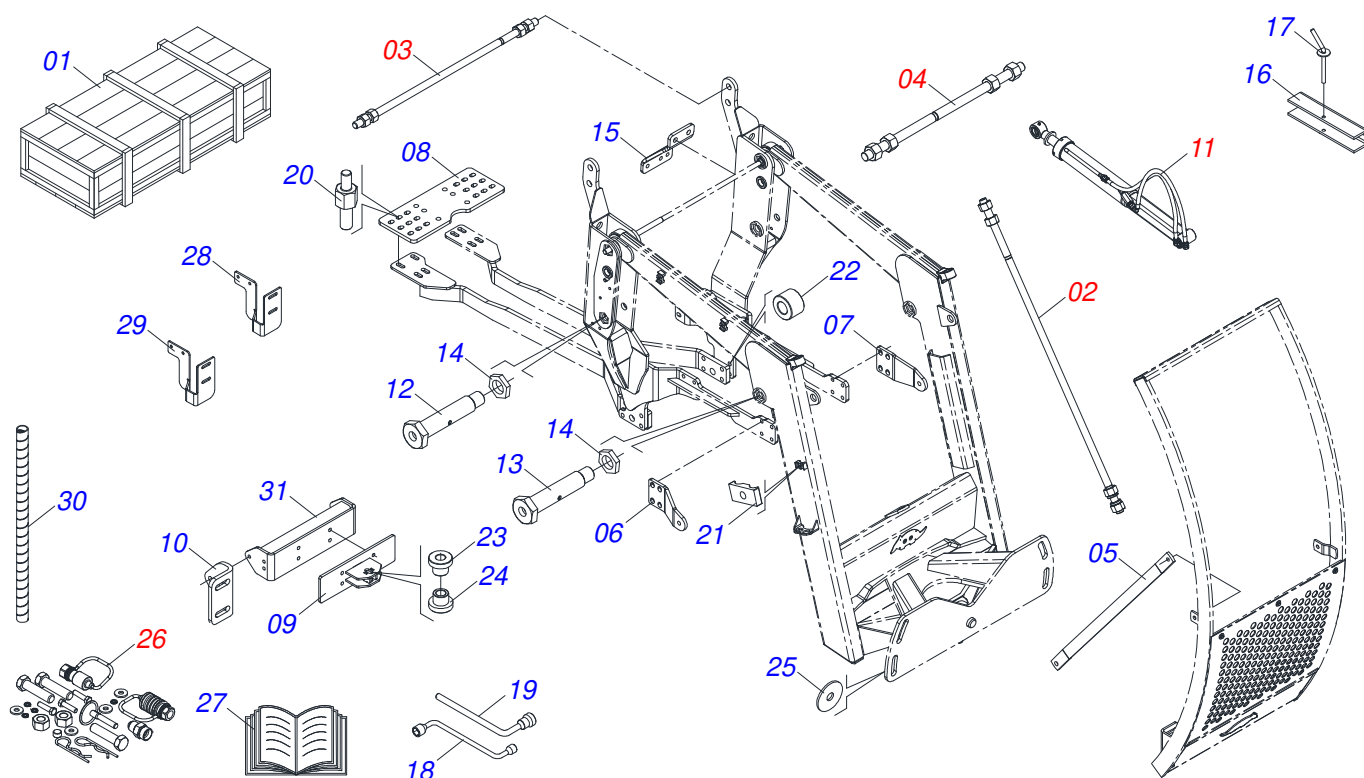
Item	Code	Description	See page	QT
01	0521067430	CYLINDER BODY		01
01A	0541014740	SLEEVE		02
02	0521067431	44,45 X 590 EXTENDER - PD VTR A750		01
02A	0521010514	38,1 X 52,9 X 50 SLEEVE INTER		01
03	0503030387	PLUG		02
04	0503010002	1800 GREASE FITTING		02
05	0503010042	2-214 N 3006-9B O'RING		01
06	0503010063	1" SELF-ALIGNING NUT		01
07	0571019710	1.7" X 3.4" PISTON		01
08	0503017935	RING		01
09	0503018144	RING		01
10	0571019711	RING SUPPORT		01
11	0503010761	D-1750 SCRAPER RING		01
12	0571019709	DETACHABLE COVER		01
13	0503017936	RING		01
14	0503017938	RING GUIDE		01
15	0503017937	GASKET		01
16	0503017940	8-337 BACK-UP RING		02
17	0503017939	2-337 N 3006-9B O' RING		02



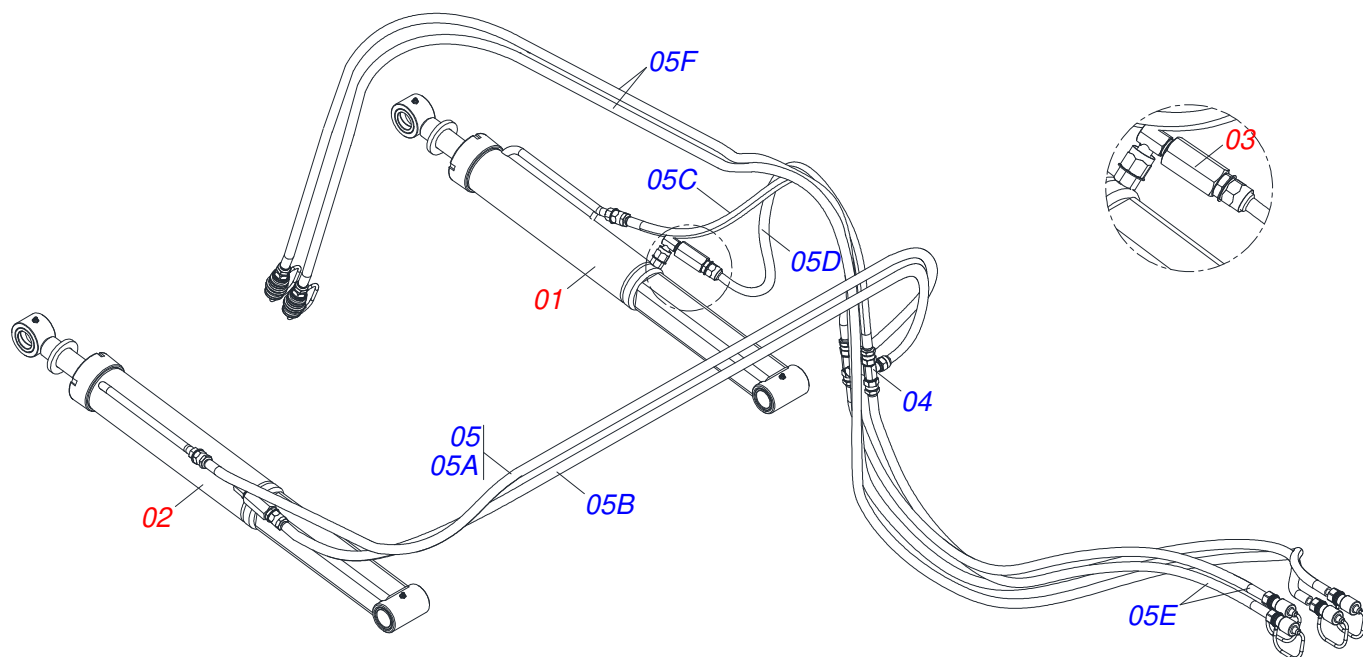
Item	Code	Description	See page	QT
01	0521067429	85,72 X 468 7/8 LEFT CYLINDER BODY - PD VTR A750		01
01A	0541014740	SLEEVE		02
02	0521067431	44,45 X 590 EXTENDER - PD VTR A750		01
02A	0521010514	38,1 X 52,9 X 50 SLEEVE INTER		01
03	0503030387	PLUG		02
04	0503010002	1800 GREASE FITTING		02
05	0503010042	2-214 N 3006-9B O'RING		01
06	0503010063	1" SELF-ALIGNING NUT		01
07	0571019710	1.7" X 3.4" PISTON		01
08	0503017935	RING		01
09	0503018144	RING		01
10	0571019711	RING SUPPORT		01
11	0503010761	D-1750 SCRAPER RING		01
12	0571019709	DETACHABLE COVER		01
13	0503017936	RING		01
14	0503017938	RING GUIDE		01
15	0503017937	GASKET		01
16	0503017940	8-337 BACK-UP RING		02
17	0503017939	2-337 N 3006-9B O' RING		02



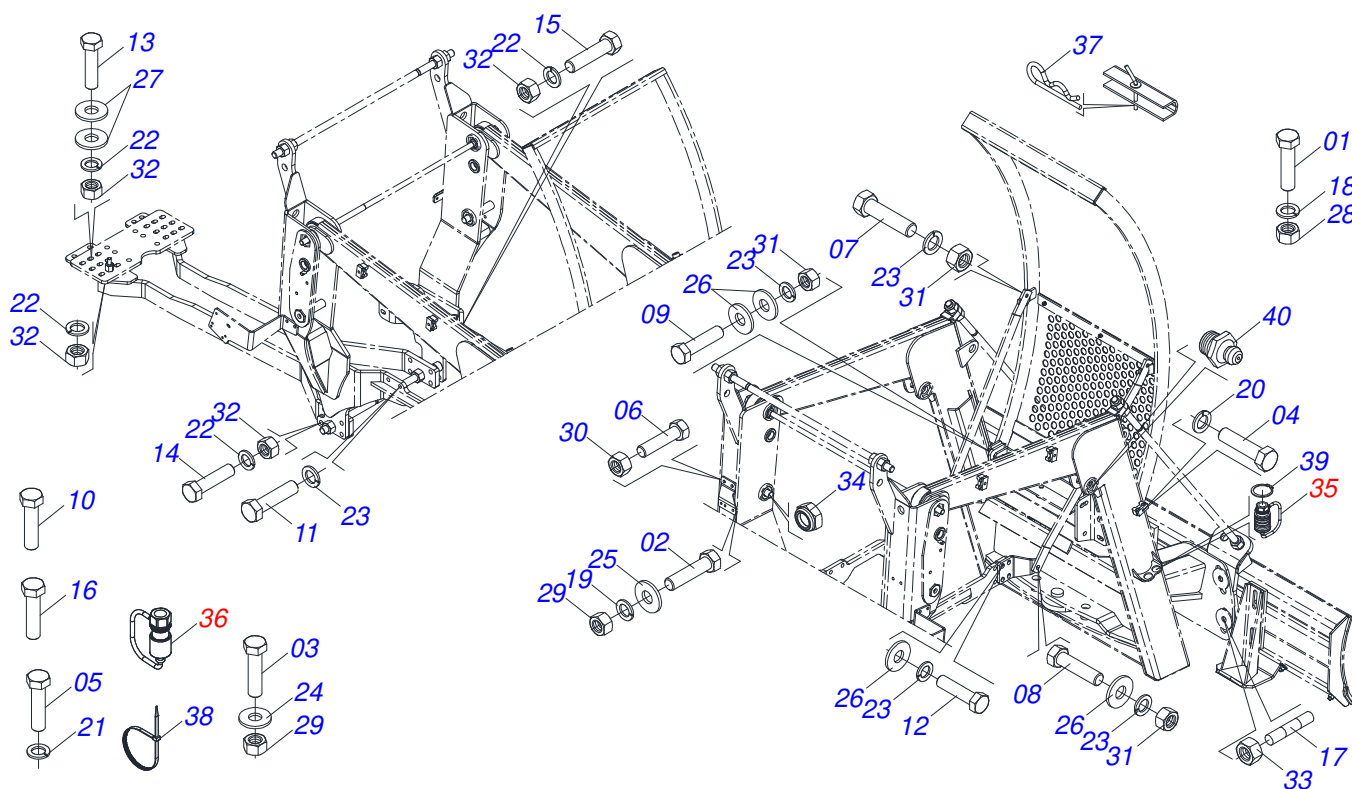
Item	Code	Description	See page	QT
01	0503018033	37 X R.7/8 UNF 90° JIC MALE CONNECTOR WITH ROTATING NUT		01
02	0581014053	1/2 BSP X 7/8 UNF JIC X 64 ADAPTER		01
03	0503016854	VALVE ASSY		01
04	0503010045	O'RING		01
05	0581014052	1/2 BSP X 7/8 UNF JIC X 43 NIPLE		01
06	0503030387	PLUG		01



Item	Code	Description	See page	QT
01	0501100441	WOOD BOX		01
02	0501041427	1.1/4" NC X 1540 ASSY ROD	10	02
03	0511047399	1.1/4" X 40" ROD	11	01
04	0521047554	ROD 1.1 / 4 NC 760 X 4 ASSY WITH NUT	12	01
05	0581016940	GUIDE BAR		02
06	0581016769	RIGHT BEATER		01
07	0581016770	LEFT BEATER		01
08	0581016683	PLATE REAR		01
09	0531061322	SIEVE FIXING SUPPORT		01
10	0571014003	FASTENING BRACKET OF THE HIGH GUIDE		02
11	0909096386	HYDRAULIC CIRCUIT	20	01
12	0581013410	1.1/4" UNF X 155 BOLT		04
13	0581013378	GREASE SCREW		02
14	0581010243	WASHER HEX		06
15	0581016630	FIXER SUPPORT		01
16	0531017238	LOCK TRANSPORT		02
17	0501068994	8,30 X 78 LOCK PIN		02
18	0501068213	5/8" WRENCH DOUBLE		01
19	0501061617	1" GANG BOLT WRENCH		01
20	0581016974	STUD		04
21	0502010477	HOSE CLAMP		05
22	0591010080	BUSHING		03
23	0591010509	BUSHING		01
24	0581016942	BUSHING		01
25	0501010574	FLAT WASHER		04
26	0511033535	PACKED PARTS	21	01
27	0511033668	BAG WITH INSTRUCTION MANUAL		01
28	0591012140	LEFT BASE TOOL BOX		01
29	0591012141	TOOL BOX BASE		01
30	0581010090	SPRING PROTECTION PLASTIC HOSE		02
31	0521069965	MOBILE SUPPORT GUIDE FIXER		01



Item	Code	Description	See page	QT
01	0521050157	44,45 X 85,72 X 1049 X 360 - RIGHT HYDRAULIC CYLINDER	16	01
02	0521050158	44,45 X 85,72 X 1049 X 360 - LEFT HYDRAULIC CYLINDER	17	01
03	0511057771	R.7/8UNF - SAFETY VALVE	18	02
04	0521064869	7/8UNF JIC OIL DISTRIBUTOR		01
05	0521054483	HOSE KIT		01
05A	0501081305	1/2 X 2750 TR-TM HOSE		01
05B	0501080336	1/2" X 2450 TR-TR HOSE		01
05C	0501080224	1/2 X 1750 TR-TR HOSE		01
05D	0501080171	1/2 X 1450 TR-TR HOSE		01
05E	0501080740	1/2" X 12" TC-TM HOSE ASSY		02
05F	0501081963	HOSE		02



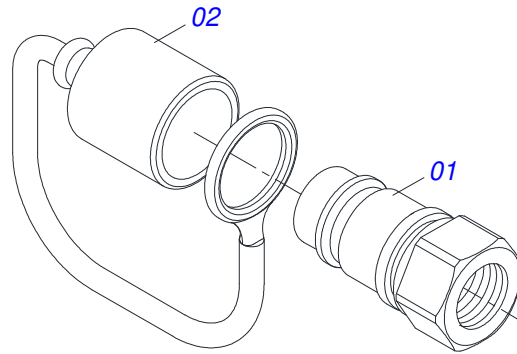
Item	Code	Description	See page	QT
01	0503010363	5/16" X 1" BOLT	02	
02	0503010849	3/8" X 1-1/2" BOLT	03	
03	0503011087	3/8" X 1" BOLT	04	
04	0503011135	BOLT	03	
05	0501010155	1/2" X 1" BOLT	01	
06	0501010063	1/2" X 1-1/2" BOLT	02	
07	0501010100	SCREW 5/8 UNC X 2 CS G.5 ZN	06	
08	0503011243	5/8" X 2" BOLT	02	
09	0503010899	5/8" X 2-1/4" BOLT	04	
10	0503011188	M16 X 2 X 50 BOLT	04	
11	0503013378	M16 X 2 X 50 BOLT	12	
12	0503019419	BOLT	04	
13	0503013390	3/4" UNC BOLT	04	
14	0501010500	3/4"X3"BOLT	03	
15	0503011328	3/4" X 4" BOLT	03	
16	0501011545	3/4" X 6-1/2" BOLT	01	
17	0561016755	PRISONER 1 UNC X 1 UNC X 76 ZN	04	
18	0503010179	LOCK WASHER	02	
19	0503010025	3/8" SPRING WASHER	07	
20	0503010180	7/16" SPRING WASHER	03	
21	0503010019	1/2" SPRING WASHER	01	
22	0503010023	3/4" SPRING WASHER	15	
23	0503010027	5/8" SPRING WASHER	32	
24	0501013518	FLAT WASHER	04	
25	0501010984	FLAT WASHER	02	
26	0501012140	FLAT WASHER	24	
27	0501010322	FLAT WASHER	08	
28	0503010337	5/16" NUT	02	
29	0503010026	3/8" NUT	07	
30	0503011336	1/2" HEX SELF ADJUSTING NUT	02	
31	0503010013	5/8" NUT	12	



PD MF - S/A
PACKED PARTS

Page 21
0511033535

Item	Code	Description	See page	QT
32	0503010014	3/4" NUT		15
33	0501010059	1.5/8 NUT		04
34	0503010044	1-1/4" SELF LOCKING NUT		06
35	0501053835	FEMALE QUICK COUPLER	14	02
36	0501053834	MALE QUICK COUPLER	22	04
37	0503030168	HITCH PIN CLIP		02
38	0503013527	CLAMP ZIPER		10
39	0503010217	501040 CLAMPING RING (FOR AXLE)		04
40	0503010002	1800 GREASE FITTING		06



Item	Code	Description	See page	QT
01	0503011627	MALE QUICK COUPLER AGR 1/2 NPT		01
02	0503011882	MALE QUICK COUPLER CAP		01



MARCHESAN

Technical Publications | Elaboration and Revision

LORENA ROCHA ALVES

www.marchesan.com.br

