

**PCA 600/PCA PLUS 1500**

## **PCA 600 / PCA PLUS 1500 - VALTRA - S/A**

**Code:** 0501093316  
**Series:** S-0119  
**Revision:** 00  
**Date Revision:** JUNHO/2022

# **PARTS CATALOGUE**



**MARCHESAN**



# PRODUCTS

| <b>Code</b> | <b>Description</b>                               |
|-------------|--|
| 0106111949  | PCA 600 VTR A84/A94/A104 BT CDC JS ESP S-0119    |
| 0106111950  | PCA 600 VTR A84/A94/A104 BT CDC JS ESP S-0119    |
| 0106111948  | PCA 600 VTR A84/A94/A104 BT SC ESP S-0119        |
| 0106111952  | PCA PLUS 1500 VTR A84/A94/A104 BT CDC ESP S-0119 |
| 0106111953  | PCA PLUS 1500 VTR A84/A94/A104 BT CDC ESP S-0119 |
| 0106111951  | PCA PLUS 1500 VTR A84/A94/A104 BT SC ESP S-0119  |

## **ATTENTION: IMPORTANT**

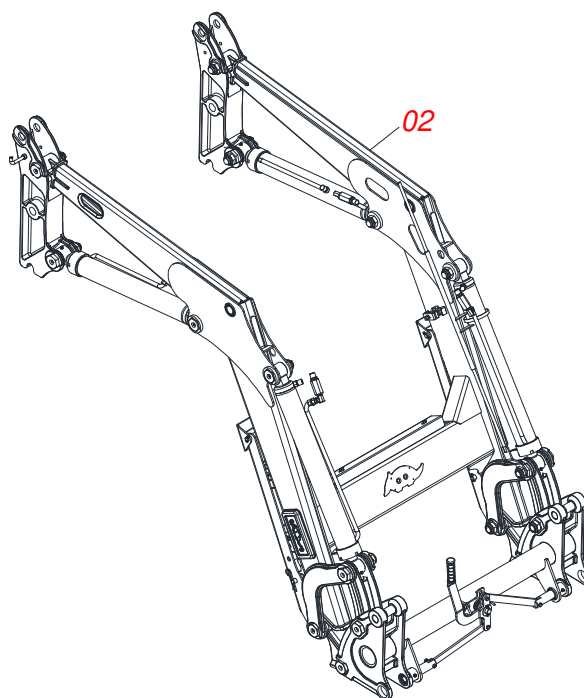
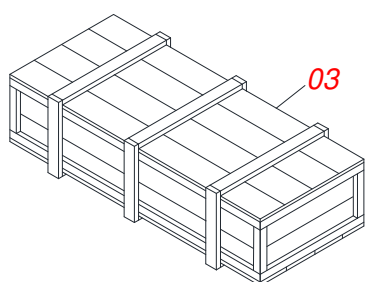
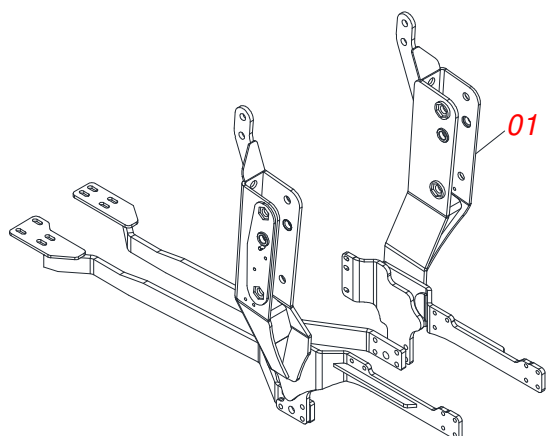
Marchesan S.A. reserves the right to improve and/or modify the technical features of its products, without obligation to do the same with those products already sold and without prior knowledge of the dealer or the consumer. The photos are only illustrative.



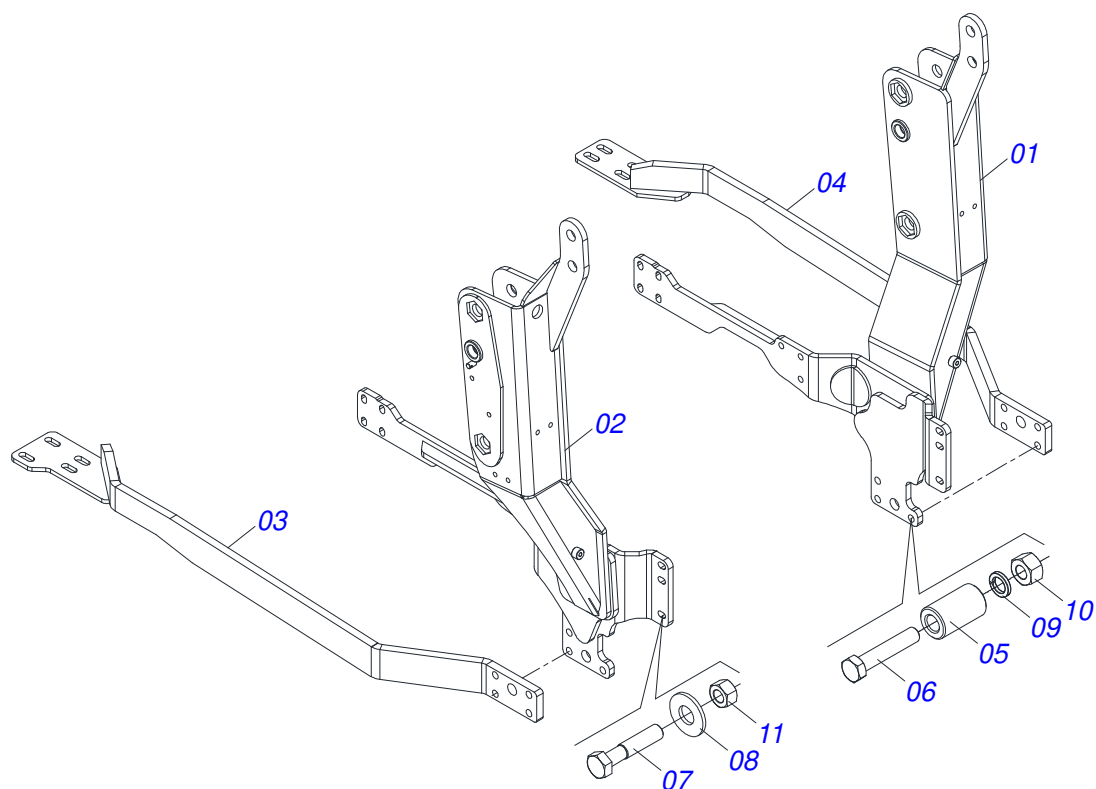
**MARCHESAN**

# INDEX

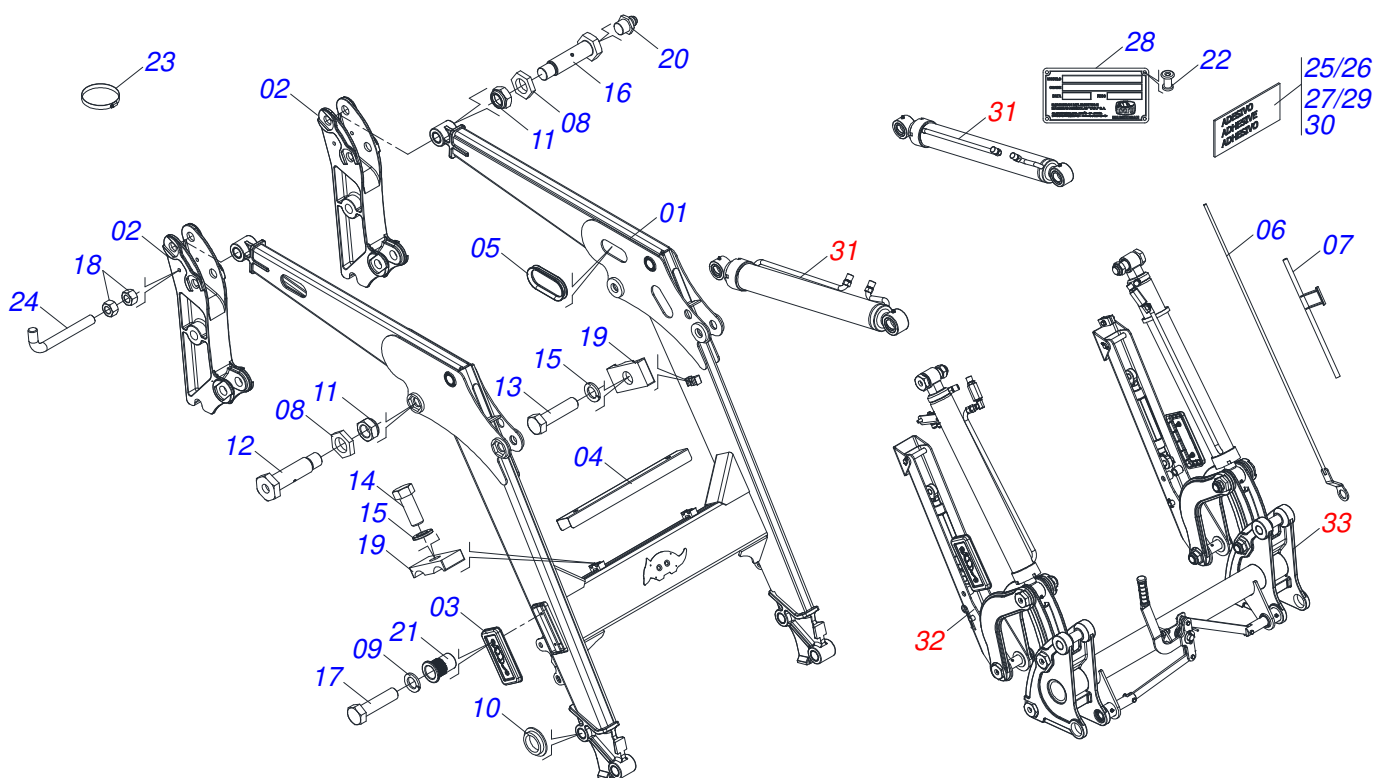
|            |   |       |    |
|------------|---|-------|----|
| 0909096362 | ASSY FRAME  | ..... | 1  |
| 0521049165 | FRAME ASSEMBLY WITH REAR BAR                        | ..... | 2  |
| 0531041063 | MOBILE SUPPORT ASSY - PCA 600                       | ..... | 3  |
| 0909096310 | HYDRAULIC ASSEMBLY                                  | ..... | 4  |
| 0521050256 | RIGHT HYDRAULIC CYLINDER Ø44,45 X 76,20 X 845 X 555 | ..... | 5  |
| 0521050255 | LEFT HYDRAULIC CYLINDER Ø44,45 X 76,20 X 845 X 555  | ..... | 6  |
| 0521045380 | RIGHT HYDRAULIC CYLINDER Ø44,45 X 76,10 X 918       | ..... | 7  |
| 0521045379 | LEFT HYDRAULIC CYLINDER Ø44,45 X 76,10 X 918        | ..... | 8  |
| 0511057772 | SECURITY VALVE ASSY                                 | ..... | 9  |
| 0909096311 | JACK ASSEMBLY                                       | ..... | 10 |
| 0909096312 | ARTICULATION ASSEMBLY                               | ..... | 11 |
| 0531041066 | MOVING SUPPORT - PCA PLUS 1500                      | ..... | 12 |
| 0909096313 | HYDRAULIC ASSEMBLY                                  | ..... | 13 |
| 0511058222 | HYDRAULIC CYLINDER RIGHT                            | ..... | 14 |
| 0511058221 | HYDRAULIC CYLINDER LEFT                             | ..... | 15 |
| 0909096314 | JACK ASSEMBLY                                       | ..... | 16 |
| 0909096315 | ARTICULATION ASSEMBLY                               | ..... | 17 |
| 0521025561 | BOX WITH COMPONENTES                                | ..... | 18 |
| 0521045489 | BLOCK COMMAND                                       | ..... | 19 |
| 0501053834 | MALE QUICK COUPLER                                  | ..... | 20 |
| 0521045393 | SET SUPPORT JOY STICK                               | ..... | 21 |
| 0511047399 | 1.1/4" X 40" ROD                                    | ..... | 22 |
| 0521047554 | ROD 1.1 / 4 NC 760 X 4 ASSY WITH NUT                | ..... | 23 |
| 0511033540 | PARCKED PARTS                                       | ..... | 24 |
| 0501053835 | FEMALE QUICK COUPLER                                | ..... | 25 |
| 0521025562 | BOX WITH COMPONENTS                                 | ..... | 26 |
| 0521045676 | COMPLETE SET COMMAND                                | ..... | 27 |
| 0511033541 | PACKED PARTS  | ..... | 28 |
| 0521025560 | BOX WITH COMPONENTS                                 | ..... | 29 |
| 0511033539 | PACKED PARTS  | ..... | 30 |



| Item | Code       | Description                    | See page | PCA 600 | PCA PLUS 1500 |
|------|------------|--------------------------------|----------|---------|---------------|
| 01   | 0521049165 | FRAME ASSEMBLY WITH REAR BAR   | 2        | 01      | 01            |
| 02   | 0531041063 | MOBILE SUPPORT ASSY - PCA 600  | 3        | 01      | 00            |
| 02.  | 0531041066 | MOVING SUPPORT - PCA PLUS 1500 | 12       | 00      | 01            |
| 03   | 0521025561 | BOX WITH COMPONENTES           | 18       | 01      | 01            |
| 03.  | 0521025562 | BOX WITH COMPONENTS            | 26       | 01      | 01            |
| 03.. | 0521025560 | BOX WITH COMPONENTS            | 29       | 01      | 01            |



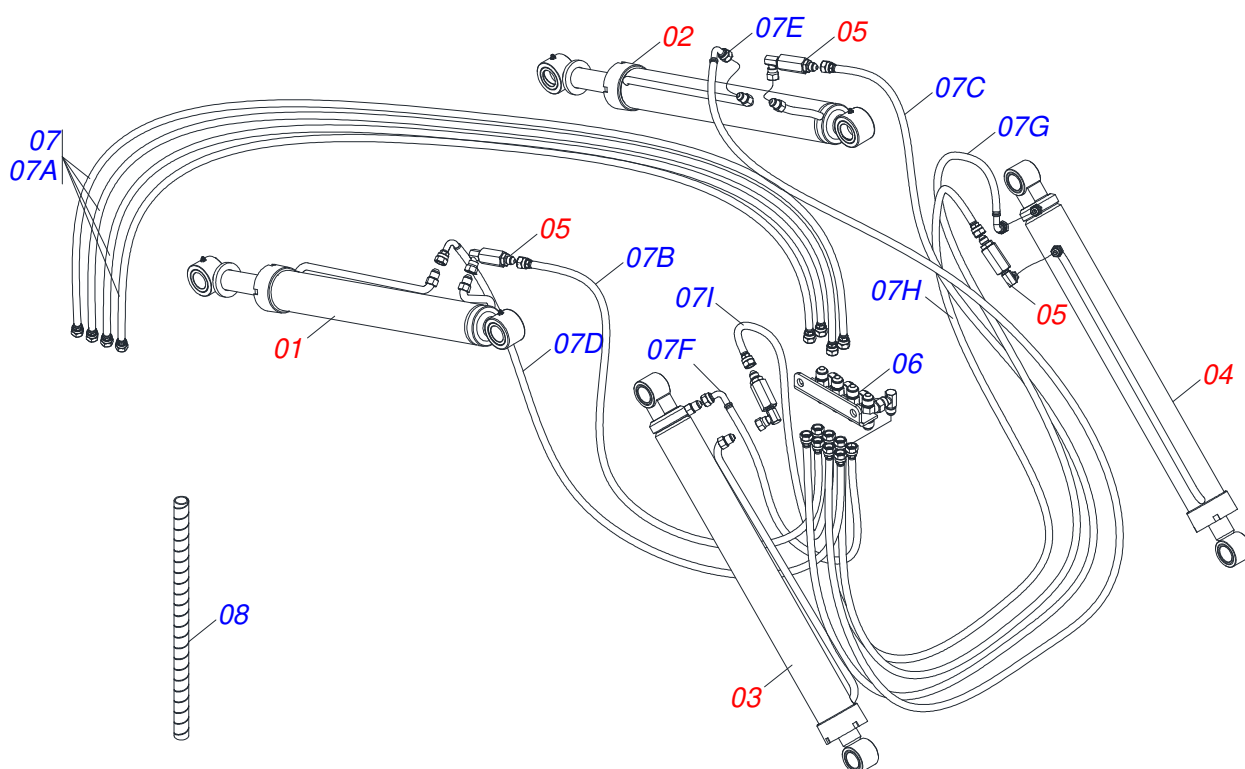
| Item | Code       | Description        | See page | QT |
|------|------------|--------------------|----------|----|
| 01   | 0521069963 | RIGHT FRAME        |          | 01 |
| 02   | 0521069964 | LEFT FRAME         |          | 01 |
| 03   | 0521069809 | LEFT BEAM          |          | 01 |
| 04   | 0521069810 | RIGHT BEAM         |          | 01 |
| 05   | 0581015170 | SLEEVE             |          | 04 |
| 06   | 0503011084 | 3/4" X 5" BOLT     |          | 04 |
| 07   | 0501011541 | 5/8" X 3" BOLT     |          | 02 |
| 08   | 0501010322 | FLAT WASHER        |          | 02 |
| 09   | 0503010023 | 3/4" SPRING WASHER |          | 04 |
| 10   | 0503010014 | 3/4" NUT           |          | 04 |
| 11   | 0503010013 | 5/8" NUT           |          | 02 |



| Item | Code       | Description                         | See page | QT |
|------|------------|-------------------------------------|----------|----|
| 01   | 0531060872 | MOVING SUPPORT                      |          | 01 |
| 02   | 0502012950 | TOWER                               |          | 02 |
| 03   | 0503035448 | COVER                               |          | 02 |
| 04   | 0581017751 | HOSE PROTECTION                     |          | 01 |
| 05   | 0503034364 | HOSE PROTECTOR                      |          | 02 |
| 06   | 0521068692 | LEVEL ROD                           |          | 01 |
| 07   | 0521067968 | ROD GUIDE                           |          | 01 |
| 08   | 0581010243 | WASHER HEX                          |          | 06 |
| 09   | 0503010143 | 1/4" SPRING WASHER                  |          | 04 |
| 10   | 0591010982 | WASHER SPACER                       |          | 04 |
| 11   | 0503010044 | 1-1/4" SELF LOCKING NUT             |          | 08 |
| 12   | 0581013575 | 1.1/4 UNF X 85 BOLT                 |          | 04 |
| 13   | 0503012555 | SCREW 7/16 UNC X 2 CS RT G.7 ZN     |          | 03 |
| 14   | 0503011338 | 7/16" X 1" BOLT                     |          | 02 |
| 15   | 0503010180 | 7/16" SPRING WASHER                 |          | 05 |
| 16   | 0571018264 | 1.1/4" UNF X 149 ZN BOLT            |          | 04 |
| 17   | 0503010461 | 1/4" X 1" BOLT                      |          | 04 |
| 18   | 0503010060 | 1/2" NUT                            |          | 02 |
| 19   | 1902010477 | UPPER CLAMP BODY                    |          | 04 |
| 20   | 0503010002 | 1800 GREASE FITTING                 |          | 12 |
| 21   | 0503019901 | INTERNAL THREAD RIVET RM 1/4 P30S   |          | 04 |
| 22   | 0503010001 | 3.2 X 5.5 RIVET                     |          | 04 |
| 23   | 0503011372 | 102 TO 121 CLAMP                    |          | 01 |
| 24   | 0581010285 | CONTROL LOCKING HOOK                |          | 01 |
| 25   | 0503031087 | ADHESIVE LABEL                      |          | 01 |
| 26   | 0503031428 | READ MANUAL DECAL                   |          | 01 |
| 27   | 0503031827 | LUBRICATE AND RETIGHTEN DAILY DECAL |          | 01 |
| 28   | 0503034003 | SERIAL NUMBER TAG 61 X 118          |          | 01 |
| 29   | 0503034078 | LIFTING POINTS DECAL                |          | 01 |
| 30   | 0503062658 | SET LABEL ADHESIVE                  |          | 01 |
| 31   | 0909096310 | HYDRAULIC ASSEMBLY                  | 4        | 01 |

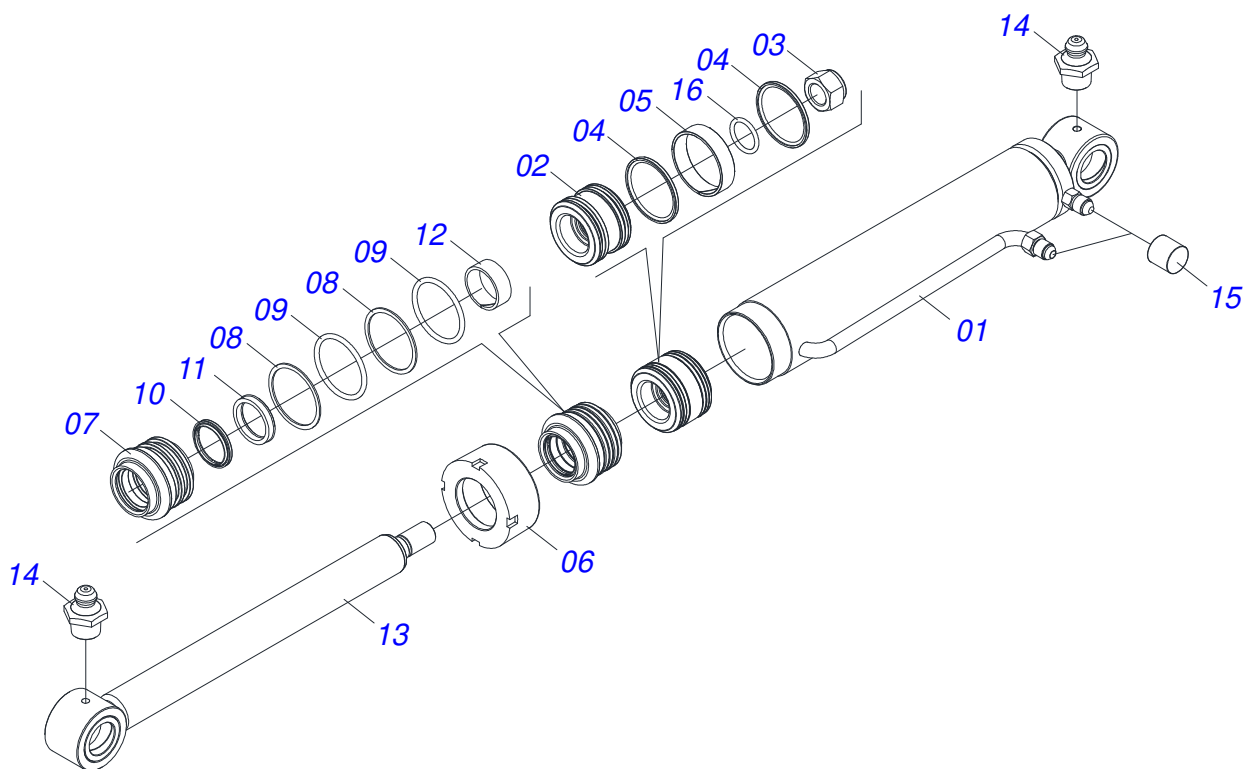


| Item | Code       | Description           | See page | QT |
|------|------------|-----------------------|----------|----|
| 32   | 0909096311 | JACK ASSEMBLY         | 10       | 01 |
| 33   | 0909096312 | ARTICULATION ASSEMBLY | 11       | 01 |

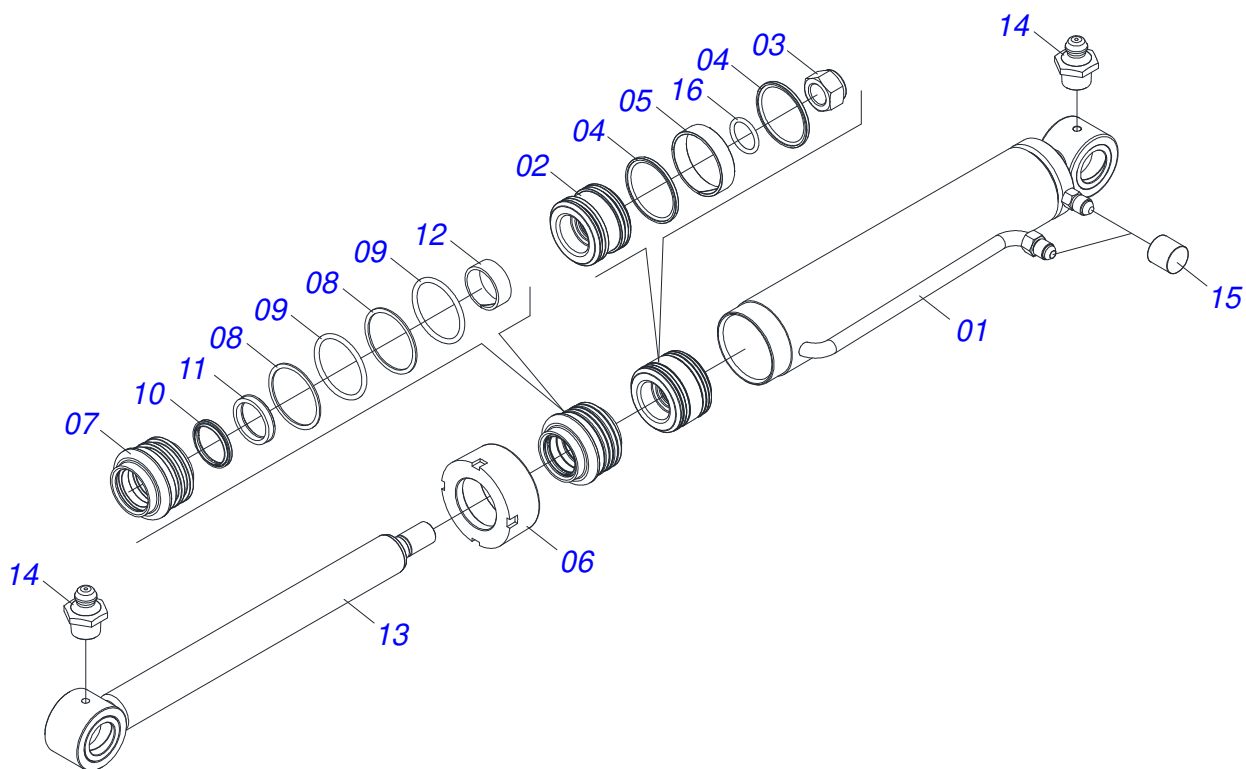


| Item | Code       | Description   | See page | QT |
|------|------------|---|----------|----|
| 01   | 0521050256 | RIGHT HYDRAULIC CYLINDER Ø44,45 X 76,20 X 5 845 X 555 |          | 01 |
| 02   | 0521050255 | LEFT HYDRAULIC CYLINDER Ø44,45 X 76,20 X 845 X 555    |          | 01 |
| 03   | 0521045380 | RIGHT HYDRAULIC CYLINDER Ø44,45 X 76,10 X 7 918       |          | 01 |
| 04   | 0521045379 | LEFT HYDRAULIC CYLINDER Ø44,45 X 76,10 X 918          | 8        | 01 |
| 05   | 0511057772 | SECURITY VALVE ASSY                                   | 9        | 04 |
| 06   | 0521069023 | HOSE DIVIDER PCA 600 2C                               |          | 02 |
| 07   | 0511056982 | HOSE SET MOBILE SUPPORT                               |          | 01 |
| 07A  | 0501080452 | 3/8" X 98" TR-TR HOSE                                 |          | 04 |
| 07B  | 0501080127 | HOSE  |          | 01 |
| 07C  | 0501080483 | 3/8" X 86,6" TR-TR HOSE                               |          | 01 |
| 07D  | 0501080348 | 3/8 X 1200 TR-TC HOSE                                 |          | 01 |
| 07E  | 0501080451 | 3/8" X 94.5" TR-TC HOSE ASSY                          |          | 01 |
| 07F  | 0501080375 | 3/8 X 600 TR-TC HOSE                                  |          | 01 |
| 07G  | 0501080419 | 3/8 X 2100 TR-TC HOSE                                 |          | 01 |
| 07H  | 0501080320 | 3/8" X 82,6" TR-TR HOSE                               |          | 01 |
| 07I  | 0501080027 | 3/8" X 39,3" TR-TR HOSE ASSY                          |          | 01 |
| 08   | 0571014419 | PLASTIC PROTECTION SPRING HOSE 3/4 X 700MM            |          | 01 |

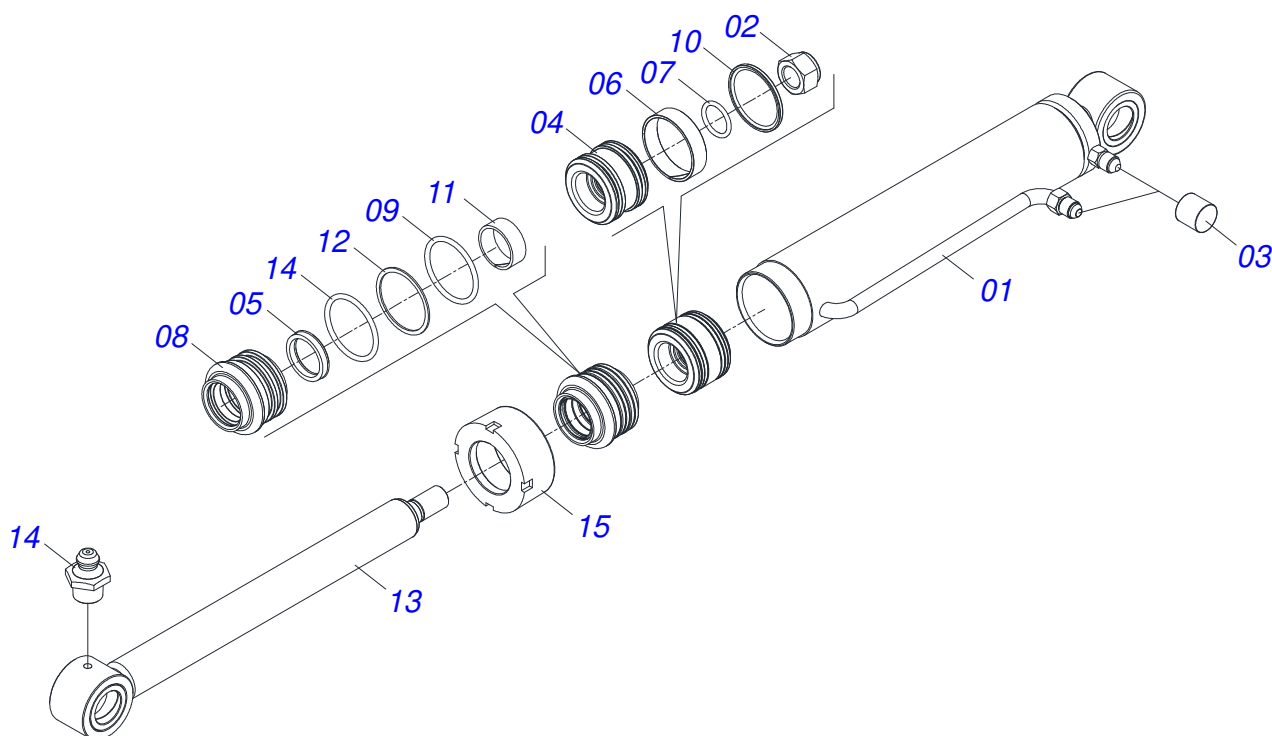




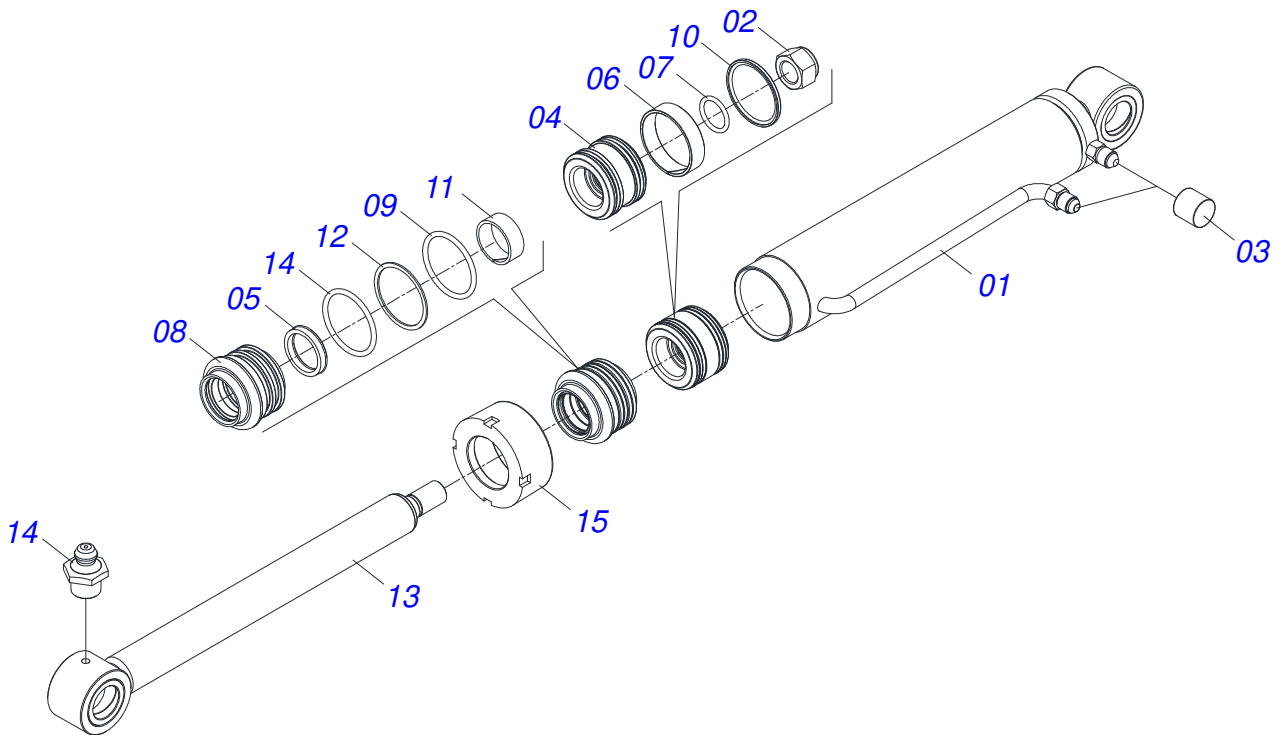
| Item | Code       | Description                        | See page | QT |
|------|------------|------------------------------------|----------|----|
| 01   | 0521067485 | 76,20 X 740,50 RIGHT CYLINDER CASE |          | 01 |
| 02   | 0581010304 | PISTON                             |          | 01 |
| 03   | 0503010063 | 1" SELF-ALIGNING NUT               |          | 01 |
| 04   | 0503018138 | RING BS                            |          | 02 |
| 05   | 0503018140 | RING GUIDE                         |          | 01 |
| 06   | 0502011899 | MOBILE COVER                       |          | 01 |
| 07   | 0581010301 | RING SUPPORT                       |          | 01 |
| 08   | 0503011059 | 8-334 BACK-UP RING                 |          | 02 |
| 09   | 0503010343 | 2-334 N 3006-9B O'RING             |          | 02 |
| 10   | 0503010761 | D-1750 SCRAPER RING                |          | 01 |
| 11   | 0503017937 | GASKET                             |          | 01 |
| 12   | 0503017938 | RING GUIDE                         |          | 01 |
| 13   | 0521067543 | 44,45 X 774 AIR TURNBUCKLE         |          | 01 |
| 14   | 0503010002 | 1800 GREASE FITTING                |          | 02 |
| 15   | 0503030385 | CYLINDER PLUG N-002                |          | 02 |
| 16   | 0503010042 | 2-214 N 3006-9B O'RING             |          | 01 |
| 17   | 0511032293 | HYDRAULIC CYLINDER REPAIR KIT      |          | 01 |



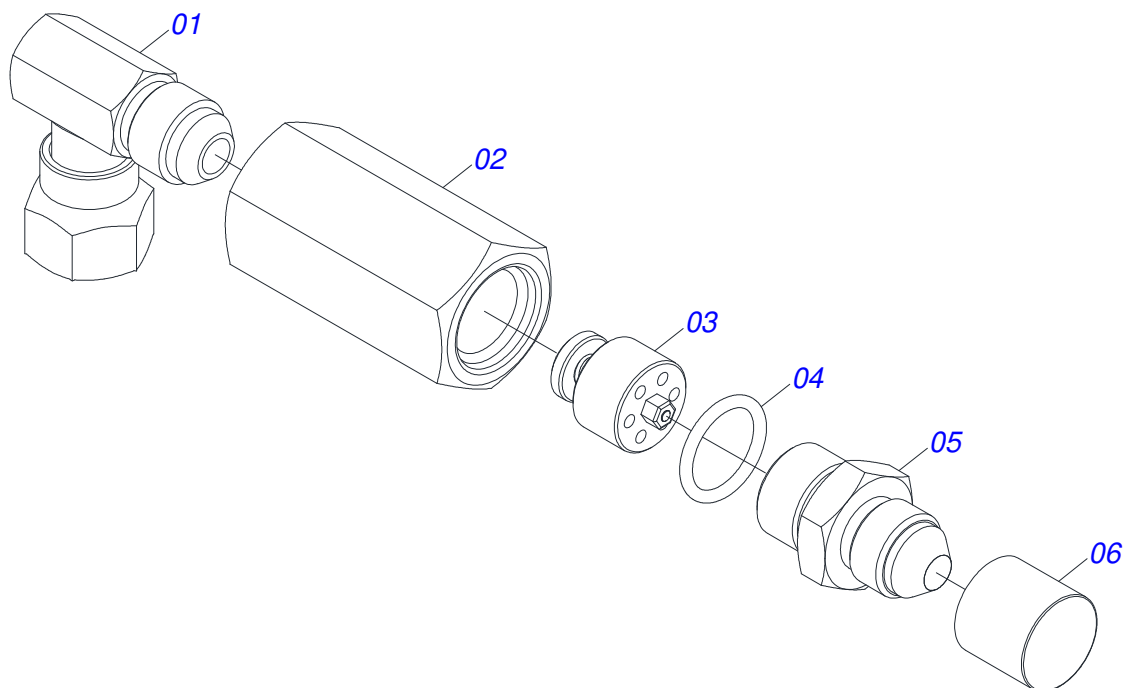
| Item | Code       | Description                       | See page | QT |
|------|------------|-----------------------------------|----------|----|
| 01   | 0521067486 | 76,20 X 740,50 LEFT CYLINDER CASE |          | 01 |
| 02   | 0581010304 | PISTON                            |          | 01 |
| 03   | 0503010063 | 1" SELF-ALIGNING NUT              |          | 01 |
| 04   | 0503018138 | RING BS                           |          | 02 |
| 05   | 0503018140 | RING GUIDE                        |          | 01 |
| 06   | 0502011899 | MOBILE COVER                      |          | 01 |
| 07   | 0581010301 | RING SUPPORT                      |          | 01 |
| 08   | 0503011059 | 8-334 BACK-UP RING                |          | 02 |
| 09   | 0503010343 | 2-334 N 3006-9B O'RING            |          | 02 |
| 10   | 0503010761 | D-1750 SCRAPER RING               |          | 01 |
| 11   | 0503017937 | GASKET                            |          | 01 |
| 12   | 0503017938 | RING GUIDE                        |          | 01 |
| 13   | 0521067543 | 44,45 X 774 AIR TURNBUCKLE        |          | 01 |
| 14   | 0503010002 | 1800 GREASE FITTING               |          | 02 |
| 15   | 0503030385 | CYLINDER PLUG N-002               |          | 02 |
| 16   | 0503010042 | 2-214 N 3006-9B O'RING            |          | 01 |
| 17   | 0511032293 | HYDRAULIC CYLINDER REPAIR KIT     |          | 01 |



| Item | Code       | Description                        | See page | QT |
|------|------------|------------------------------------|----------|----|
| 01   | 0521065843 | RIGHT CYLINDER CASE WITH EXTENSION | 01       | 01 |
| 02   | 0503010063 | 1" SELF-ALIGNING NUT               | 01       | 01 |
| 03   | 0503030385 | CYLINDER PLUG N-002                | 02       | 02 |
| 04   | 0502011898 | 1.8" X 3.0" PISTON                 | 01       | 01 |
| 05   | 0503012768 | 3750-2250 GASKET                   | 02       | 02 |
| 06   | 0503010992 | W2-3000-500 PK RING G.E            | 01       | 01 |
| 07   | 0503010042 | 2-214 N 3006-9B O'RING             | 01       | 01 |
| 08   | 0502011897 | RING SUPPORT                       | 01       | 01 |
| 09   | 0503010761 | D-1750 SCRAPER RING                | 01       | 01 |
| 10   | 0503010990 | GASKET                             | 01       | 01 |
| 11   | 0503010949 | W2-2000-500 PK RING G.E            | 01       | 01 |
| 12   | 0503011059 | 8-334 BACK-UP RING                 | 01       | 01 |
| 13   | 0521065845 | Ø 44,45 X 839 WELDED ARTICULATOR   | 01       | 01 |
| 14   | 0503010343 | 2-334 N 3006-9B O'RING             | 01       | 01 |
| 15   | 0502011899 | MOBILE COVER                       | 01       | 01 |
| 16   | 0503010002 | 1800 GREASE FITTING                | 01       | 01 |
| 17   | 0501033655 | HYDRAULIC CYLINDER REPAIR KIT      | 01       | 01 |

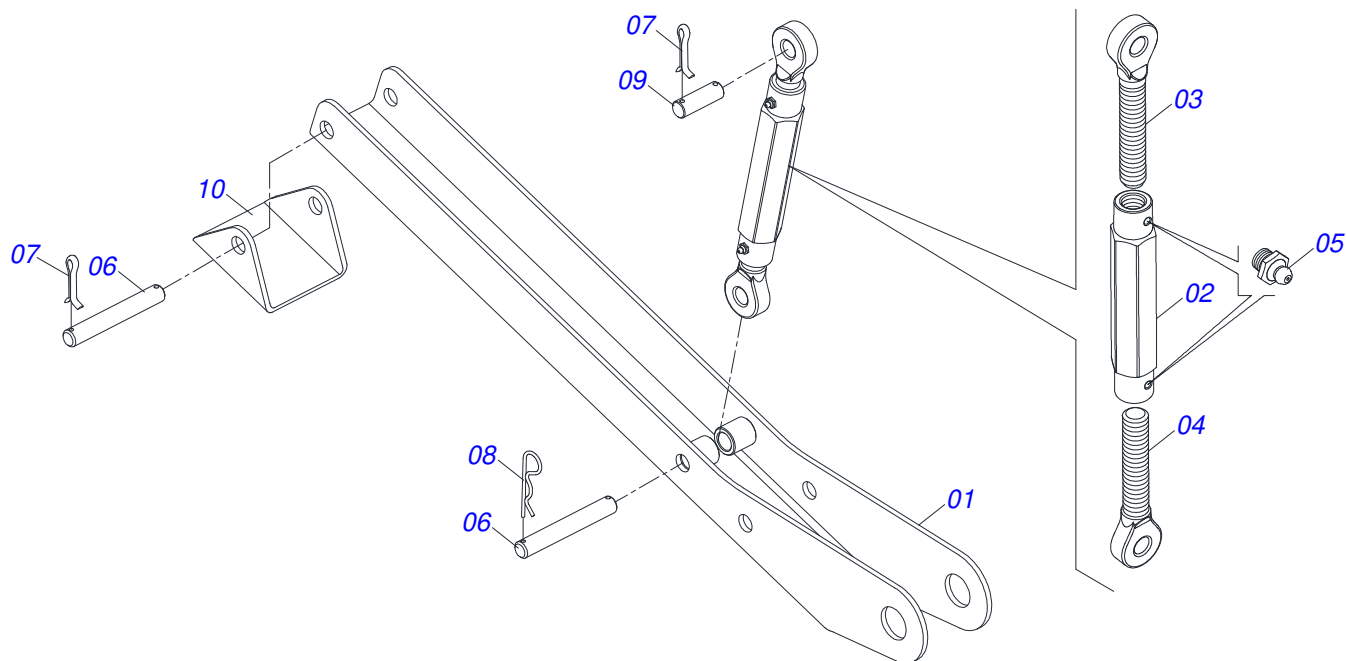


| Item | Code       | Description                      | See page | QT |
|------|------------|----------------------------------|----------|----|
| 01   | 0521065842 | CYLINDER CASE WITH EXTENSION     |          | 01 |
| 02   | 0503010063 | 1" SELF-ALIGNING NUT             |          | 01 |
| 03   | 0503030385 | CYLINDER PLUG N-002              |          | 02 |
| 04   | 0502011898 | 1.8" X 3.0" PISTON               |          | 01 |
| 05   | 0503012768 | 3750-2250 GASKET                 |          | 02 |
| 06   | 0503010992 | W2-3000-500 PK RING G.E          |          | 01 |
| 07   | 0503010042 | 2-214 N 3006-9B O'RING           |          | 01 |
| 08   | 0502011897 | RING SUPPORT                     |          | 01 |
| 09   | 0503010761 | D-1750 SCRAPER RING              |          | 01 |
| 10   | 0503010990 | GASKET                           |          | 01 |
| 11   | 0503010949 | W2-2000-500 PK RING G.E          |          | 01 |
| 12   | 0503011059 | 8-334 BACK-UP RING               |          | 01 |
| 13   | 0521065845 | Ø 44,45 X 839 WELDED ARTICULATOR |          | 01 |
| 14   | 0503010343 | 2-334 N 3006-9B O'RING           |          | 01 |
| 15   | 0502011899 | MOBILE COVER                     |          | 01 |
| 16   | 0503010002 | 1800 GREASE FITTING              |          | 01 |
| 17   | 0501033655 | HYDRAULIC CYLINDER REPAIR KIT    |          | 01 |

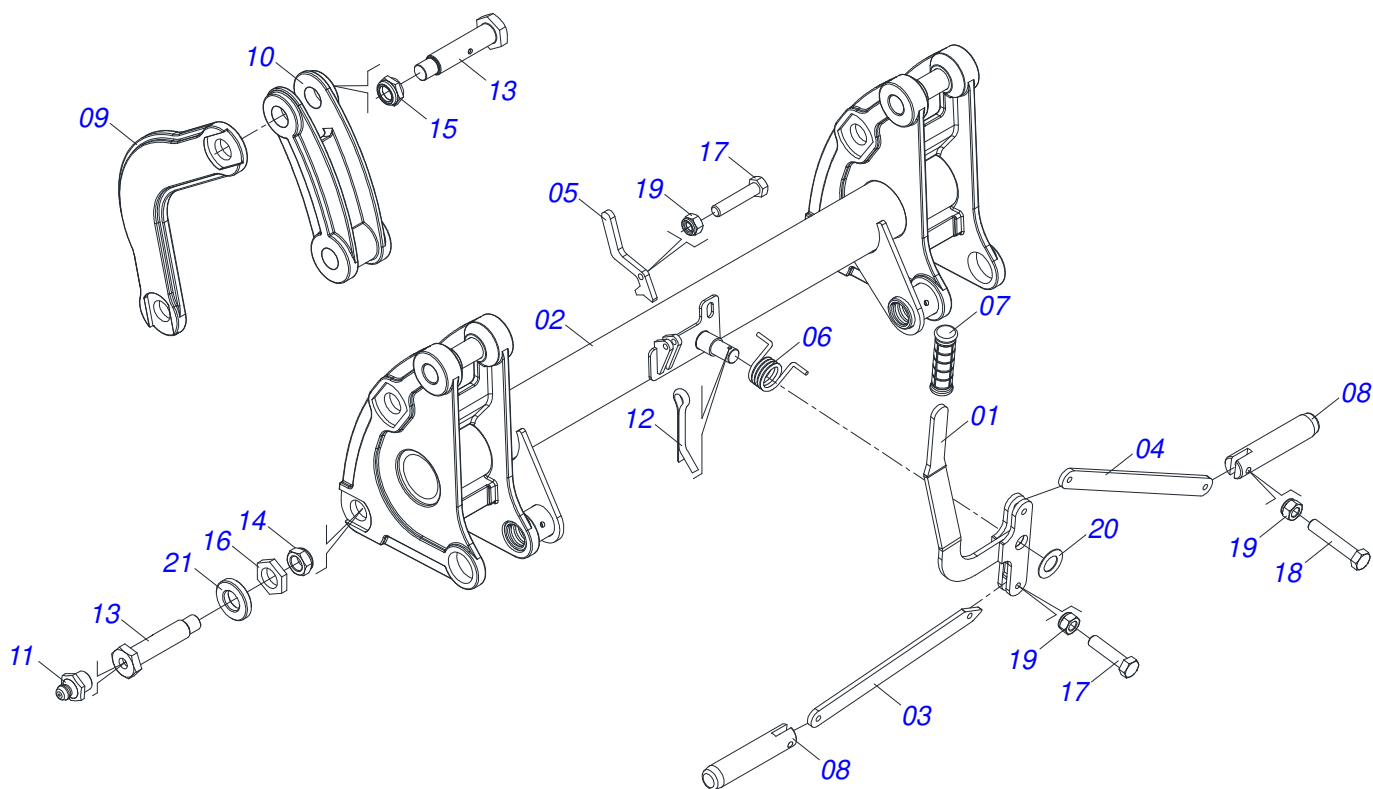


| Item | Code       | Description         | See page | QT |
|------|------------|---------------------|----------|----|
| 01   | 0503018034 | MALE KNEE JIC       |          | 01 |
| 02   | 0581014055 | ADAPTER             |          | 01 |
| 03   | 0503016854 | VALVE ASSY          |          | 01 |
| 04   | 0503010045 | O'RING              |          | 01 |
| 05   | 0581014054 | BSP 1/2" NIPPLE     |          | 01 |
| 06   | 0503030385 | CYLINDER PLUG N-002 |          | 01 |

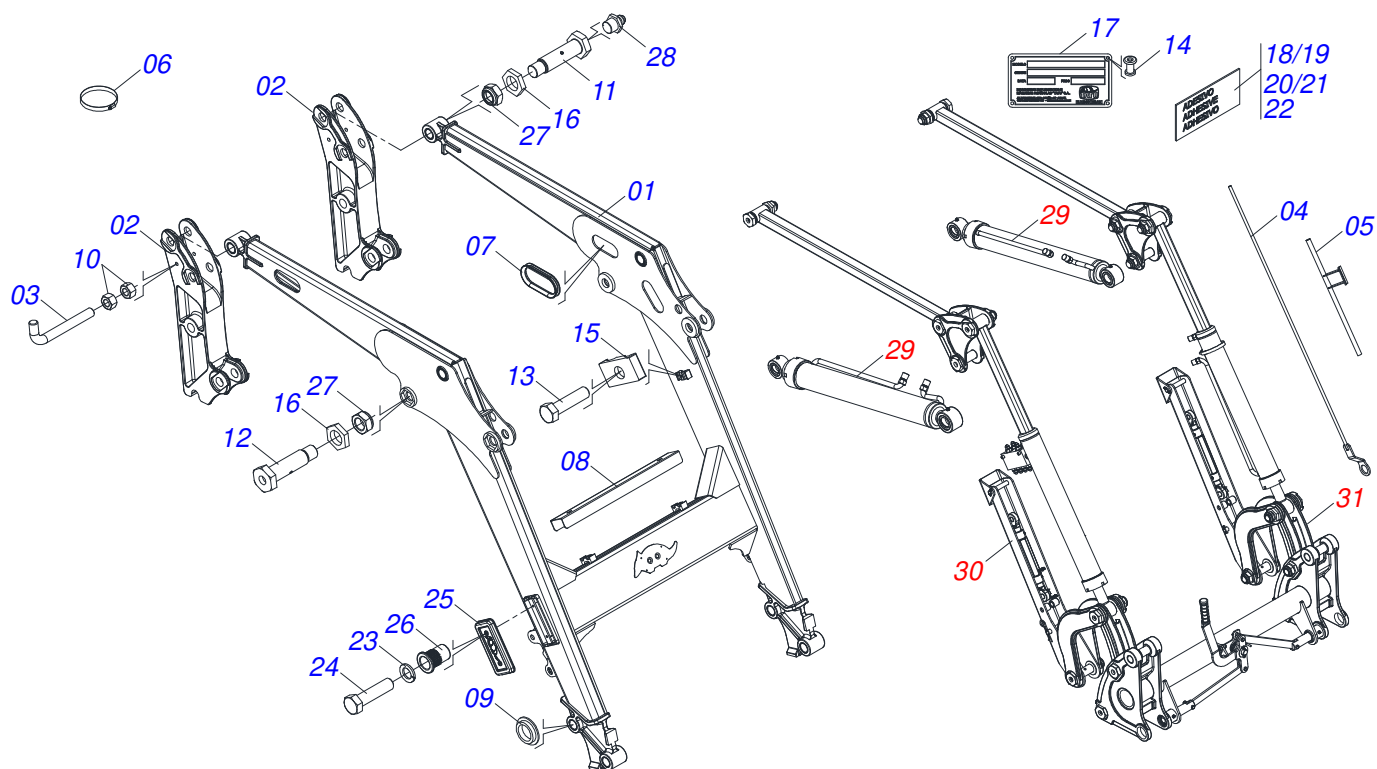
JACK ASSEMBLY



| Item | Code       | Description                          | See page | QT |
|------|------------|--------------------------------------|----------|----|
| 01   | 0521065756 | PLOUGH SUPPORT BODY                  | 02       |    |
| 02   | 0502012530 | REGULATOR NUT BODY R1                | 02       |    |
| 03   | 0502012562 | LEFT SPINDLE R1 X 160                | 02       |    |
| 04   | 0502012529 | RIGHT SPINDLE R1 X 160               | 02       |    |
| 05   | 0503010002 | 1800 GREASE FITTING                  | 04       |    |
| 06   | 0571018253 | 3/4 X 133 PCA-T 1500 COUPLING SHAFT  | 04       |    |
| 07   | 0503010071 | 3/16" X 1" COTTERPIN                 | 06       |    |
| 08   | 0503030012 | HITCH PIN CLIP                       | 02       |    |
| 09   | 0561015578 | 3/4 X 56 PCA VTR A750 COUPLING SHAFT | 02       |    |
| 10   | 0571018252 | REST BASE                            | 02       |    |

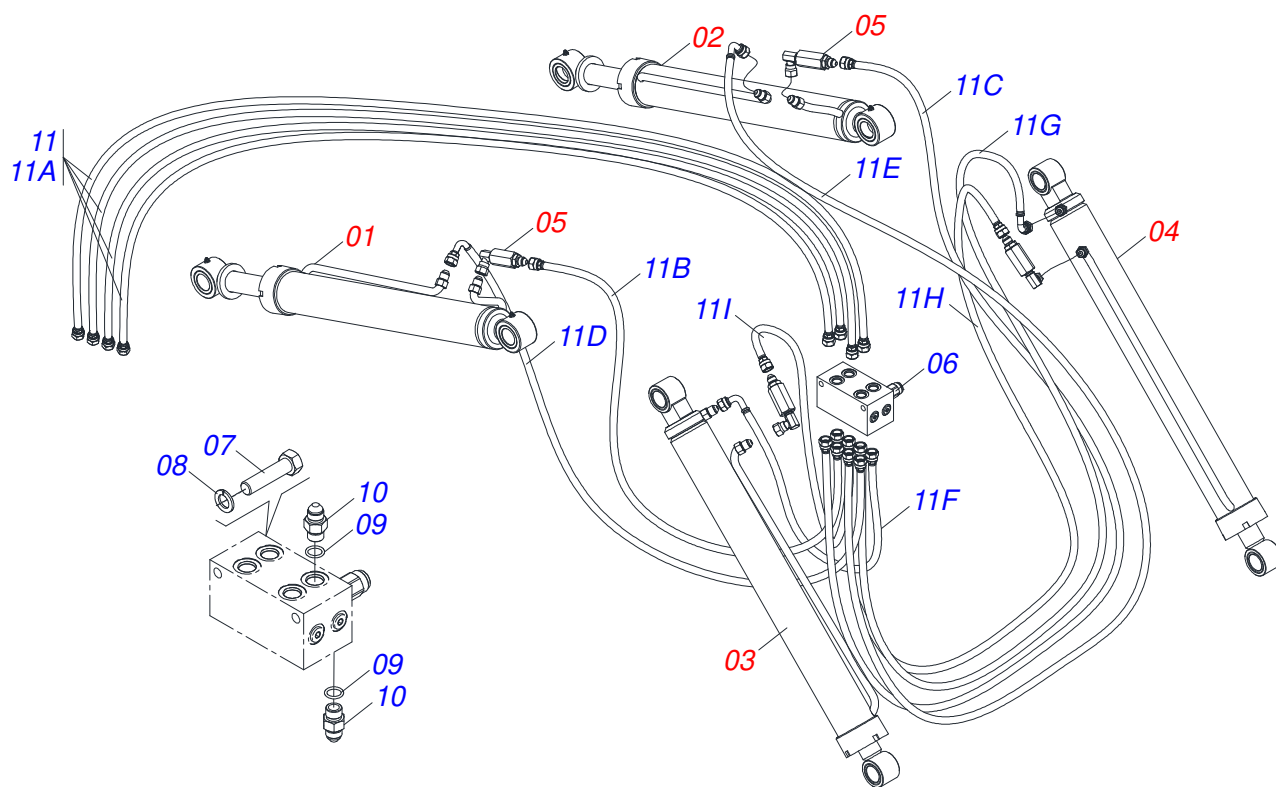


| Item | Code       | Description                | See page | QT |
|------|------------|----------------------------|----------|----|
| 01   | 0521065888 | LEVER                      | 01       | 01 |
| 02   | 0531060874 | ARTICULATOR                | 01       | 01 |
| 03   | 0571018125 | RIGHT ARM OF THE UNLOCK    | 01       | 01 |
| 04   | 0571018935 | SPRING SUPPORT ARM         | 01       | 01 |
| 05   | 0571018934 | PENDULUM LOCKS             | 01       | 01 |
| 06   | 0503034192 | TORSION SPRING             | 01       | 01 |
| 07   | 0503037382 | Ø25 X 120 PVC HANDLE       | 01       | 01 |
| 08   | 0571018129 | PIN LOCK ACCESSORY         | 02       | 02 |
| 09   | 0502012952 | LOWER COPYING ARM          | 04       | 04 |
| 10   | 0502012953 | ARTICULATE MINOR BODY      | 02       | 02 |
| 11   | 0503010002 | 1800 GREASE FITTING        | 06       | 06 |
| 12   | 0503010523 | 1/4" X 2" COTTERPIN        | 01       | 01 |
| 13   | 0571018245 | 1.1/4" UNF X 139 BOLT      | 08       | 08 |
| 14   | 0503010044 | 1-1/4" SELF LOCKING NUT    | 07       | 07 |
| 15   | 0571018205 | 1.1/4"XUNF NUT WITH RECESS | 01       | 01 |
| 16   | 0581010243 | WASHER HEX                 | 06       | 06 |
| 17   | 0503010849 | 3/8" X 1-1/2" BOLT         | 03       | 03 |
| 18   | 0503011236 | 3/8" X 2" BOLT             | 02       | 02 |
| 19   | 0503013357 | 3/8" SELF-ADJUSTING NUT    | 05       | 05 |
| 20   | 0561011883 | FLAT WASHER                | 01       | 01 |
| 21   | 0581014204 | FLAT WASHER                | 02       | 02 |

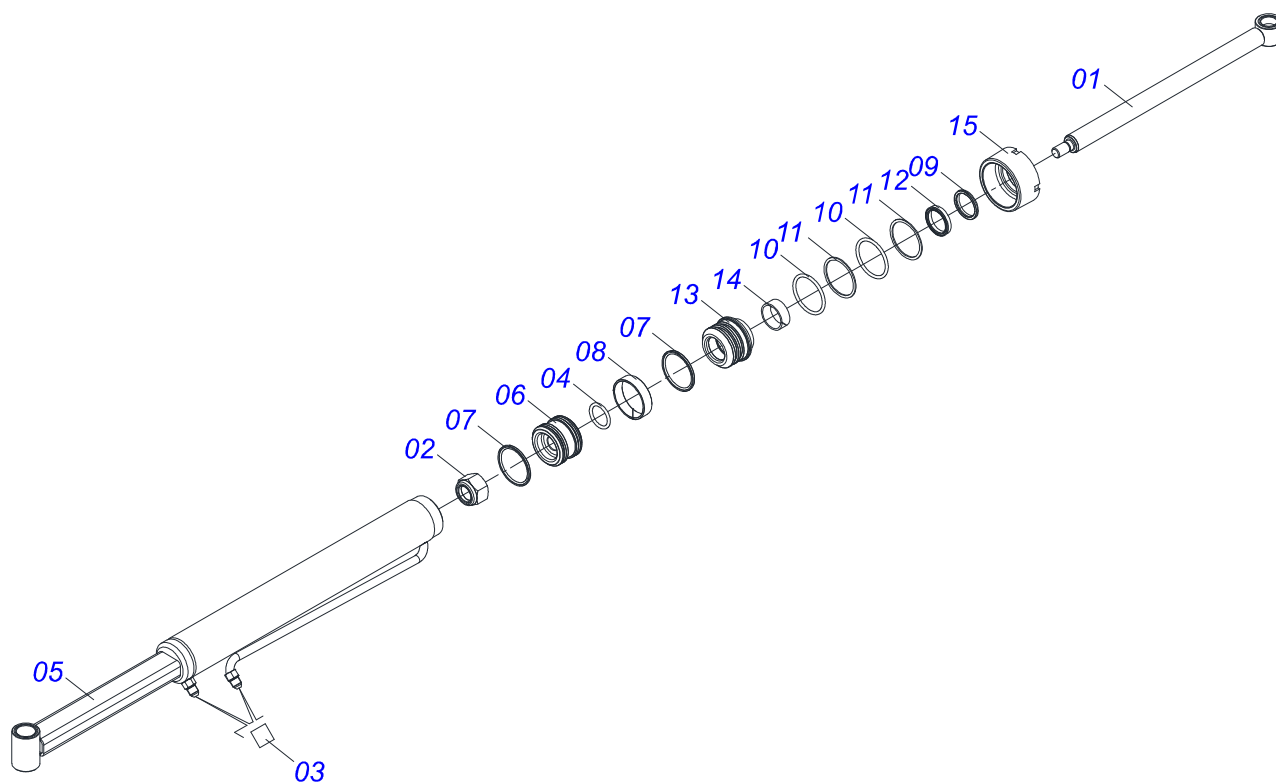


| Item | Code       | Description                         | See page | QT |
|------|------------|-------------------------------------|----------|----|
| 01   | 0531060872 | MOVING SUPPORT                      |          | 01 |
| 02   | 0502012950 | TOWER                               |          | 02 |
| 03   | 0581010285 | CONTROL LOCKING HOOK                |          | 01 |
| 04   | 0521068692 | LEVEL ROD                           |          | 01 |
| 05   | 0521067968 | ROD GUIDE                           |          | 01 |
| 06   | 0503011372 | 102 TO 121 CLAMP                    |          | 01 |
| 07   | 0503034364 | HOSE PROTECTOR                      |          | 02 |
| 08   | 0581017751 | HOSE PROTECTION                     |          | 01 |
| 09   | 0591010982 | WASHER SPACER                       |          | 04 |
| 10   | 0503010060 | 1/2" NUT                            |          | 02 |
| 11   | 0571018264 | 1.1/4" UNF X 149 ZN BOLT            |          | 06 |
| 12   | 0581013575 | 1.1/4 UNF X 85 BOLT                 |          | 02 |
| 13   | 0503012555 | SCREW 7/16 UNC X 2 CS RT G.7 ZN     |          | 03 |
| 14   | 0503010001 | 3.2 X 5.5 RIVET                     |          | 04 |
| 15   | 1902010477 | UPPER CLAMP BODY                    |          | 04 |
| 16   | 0581010243 | WASHER HEX                          |          | 08 |
| 17   | 0503034003 | SERIAL NUMBER TAG 61 X 118          |          | 01 |
| 18   | 0503031827 | LUBRICATE AND RETIGHTEN DAILY DECAL |          | 01 |
| 19   | 0503034078 | LIFTING POINTS DECAL                |          | 01 |
| 20   | 0503031087 | ADHESIVE LABEL                      |          | 01 |
| 21   | 0503031428 | READ MANUAL DECAL                   |          | 01 |
| 22   | 0503062659 | SET LABEL ADHESIVE                  |          | 01 |
| 23   | 0503010143 | 1/4" SPRING WASHER                  |          | 04 |
| 24   | 0503010461 | 1/4" X 1" BOLT                      |          | 04 |
| 25   | 0503035448 | COVER                               |          | 02 |
| 26   | 0503019901 | INTERNAL THREAD RIVET RM 1/4 P30S   |          | 04 |
| 27   | 0503010044 | 1-1/4" SELF LOCKING NUT             |          | 08 |
| 28   | 0503010002 | 1800 GREASE FITTING                 |          | 18 |
| 29   | 0909096313 | HYDRAULIC ASSEMBLY                  | 13       | 01 |
| 30   | 0909096314 | JACK ASSEMBLY                       | 16       | 01 |
| 31   | 0909096315 | ARTICULATION ASSEMBLY               | 17       | 01 |

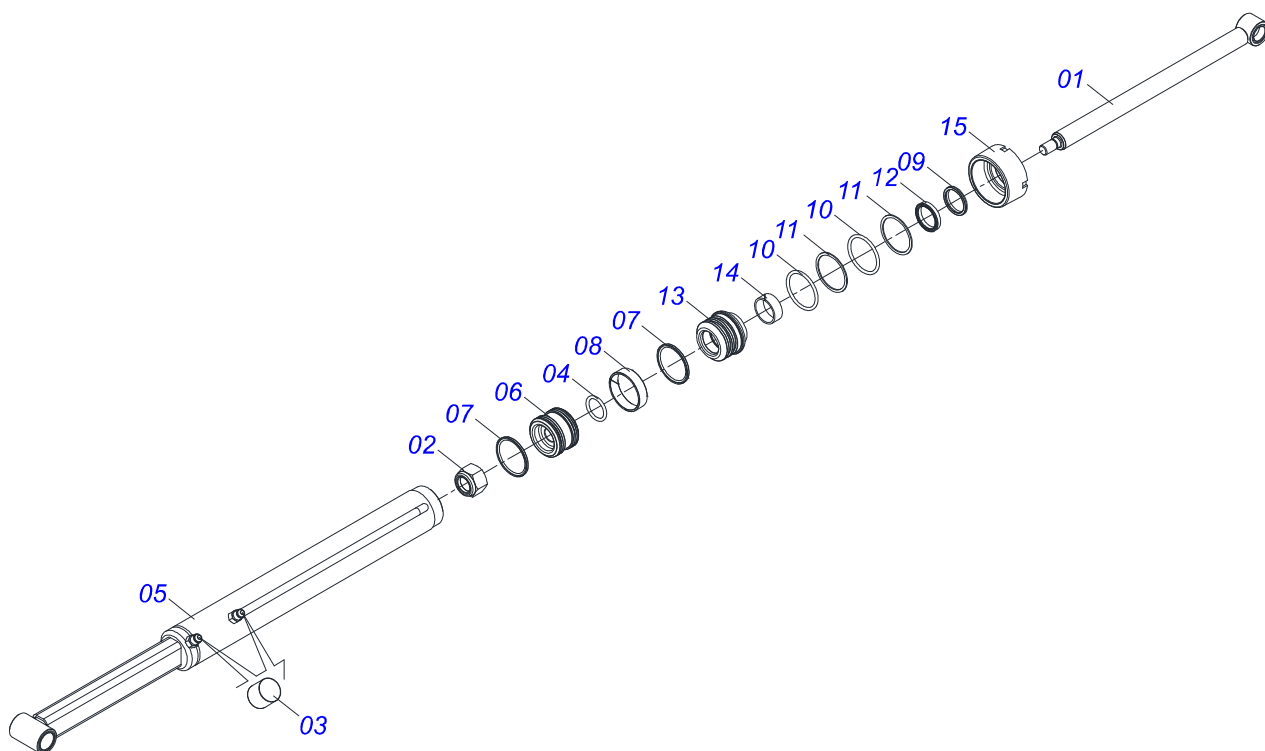




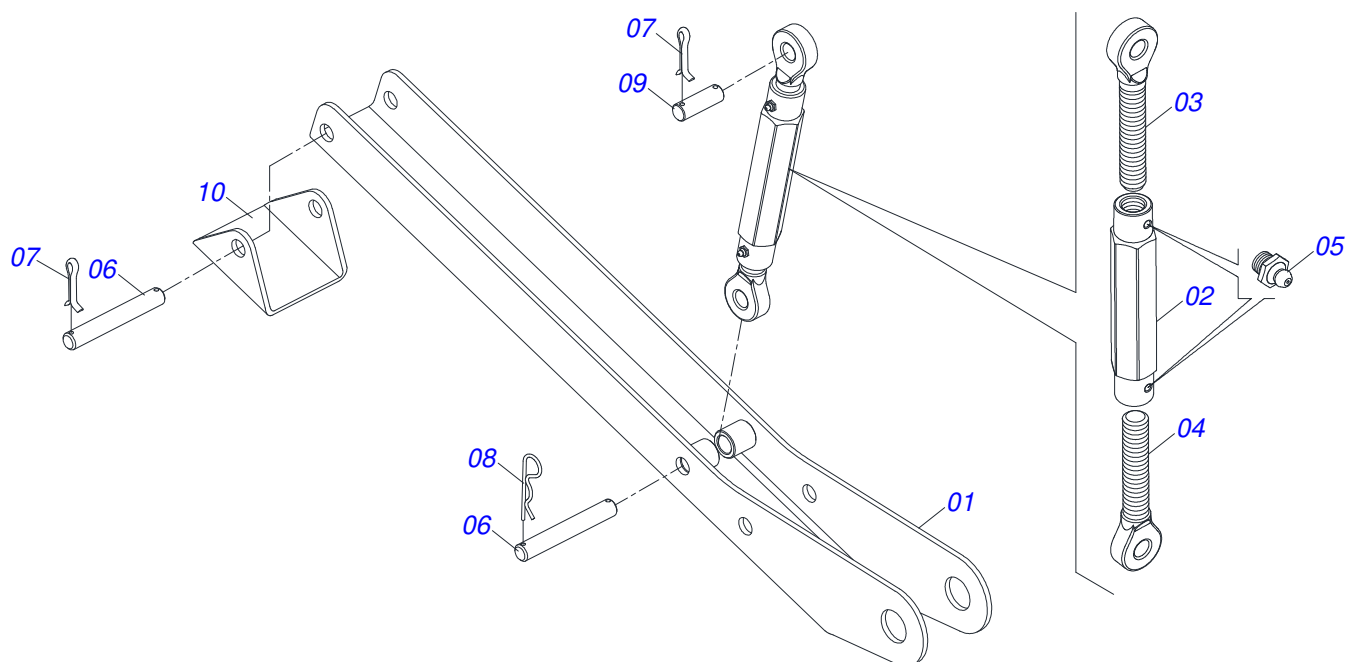
| Item | Code       | Description   | See page | QT |
|------|------------|---|----------|----|
| 01   | 0521050256 | RIGHT HYDRAULIC CYLINDER Ø44,45 X 76,20 X 5 845 X 555 |          | 01 |
| 02   | 0521050255 | LEFT HYDRAULIC CYLINDER Ø44,45 X 76,20 X 845 X 555    |          | 01 |
| 03   | 0511058222 | HYDRAULIC CYLINDER RIGHT                              | 14       | 01 |
| 04   | 0511058221 | HYDRAULIC CYLINDER LEFT                               | 15       | 01 |
| 05   | 0511057772 | SECURITY VALVE ASSY                                   | 9        | 04 |
| 06   | 0503062416 | BLOCK COMMAND   |          | 02 |
| 07   | 0503010851 | 7/16" X 3.1/2" BOLT                                   |          | 02 |
| 08   | 0503010180 | 7/16" SPRING WASHER                                   |          | 02 |
| 09   | 0503010190 | 2-114 N 3006-9B O'RING                                |          | 12 |
| 10   | 0501010617 | 3/4" NIPPLE   |          | 12 |
| 11   | 0511056982 | HOSE SET MOBILE SUPPORT                               |          | 01 |
| 11A  | 0501080452 | 3/8" X 98" TR-TR HOSE                                 |          | 04 |
| 11B  | 0501080127 | HOSE  |          | 01 |
| 11C  | 0501080483 | 3/8" X 86,6" TR-TR HOSE                               |          | 01 |
| 11D  | 0501080348 | 3/8 X 1200 TR-TC HOSE                                 |          | 01 |
| 11E  | 0501080451 | 3/8" X 94.5" TR-TC HOSE ASSY                          |          | 01 |
| 11F  | 0501080375 | 3/8 X 600 TR-TC HOSE                                  |          | 01 |
| 11G  | 0501080419 | 3/8 X 2100 TR-TC HOSE                                 |          | 01 |
| 11H  | 0501080320 | 3/8" X 82,6" TR-TR HOSE                               |          | 01 |
| 11I  | 0501080027 | 3/8" X 39,3" TR-TR HOSE ASSY                          |          | 01 |



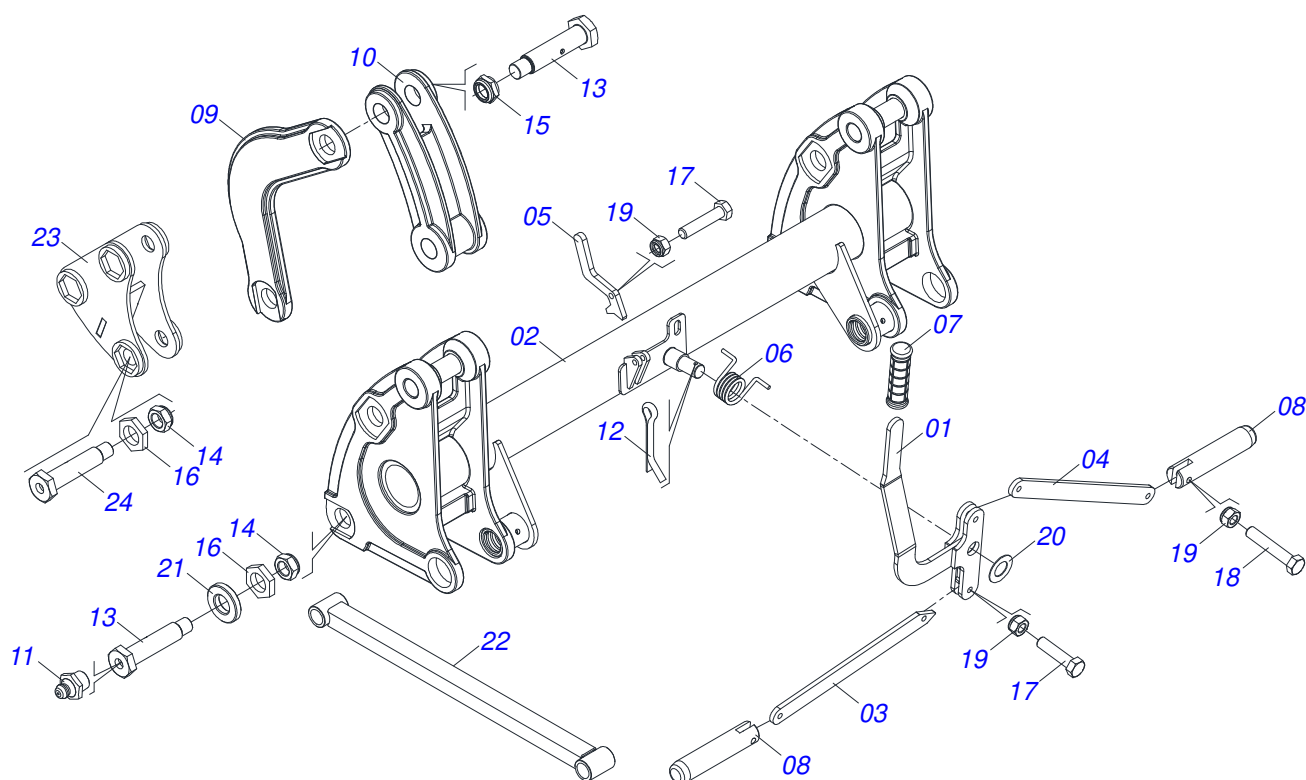
| Item | Code       | Description                            | See page | QT |
|------|------------|--|----------|----|
| 01   | 0521065738 | 44,45 X 836 WELDED ROD PCA-T 1500 PLUS |          | 01 |
| 02   | 0503010063 | 1" SELF-ALIGNING NUT                   |          | 01 |
| 03   | 0503030385 | CYLINDER PLUG N-002                    |          | 02 |
| 04   | 0503010042 | 2-214 N 3006-9B O'RING                 |          | 01 |
| 05   | 0521065704 | RIGHT CYLINDER CASE WITH EXTENDER      |          | 01 |
| 06   | 0581010304 | PISTON                                 |          | 01 |
| 07   | 0503018138 | RING BS                                |          | 02 |
| 08   | 0503018140 | RING GUIDE                             |          | 01 |
| 09   | 0503010761 | D-1750 SCRAPER RING                    |          | 01 |
| 10   | 0503010343 | 2-334 N 3006-9B O'RING                 |          | 02 |
| 11   | 0503011059 | 8-334 BACK-UP RING                     |          | 02 |
| 12   | 0503017937 | GASKET                                 |          | 01 |
| 13   | 0581010301 | RING SUPPORT                           |          | 01 |
| 14   | 0503017938 | RING GUIDE                             |          | 01 |
| 15   | 0502011899 | MOBILE COVER                           |          | 01 |



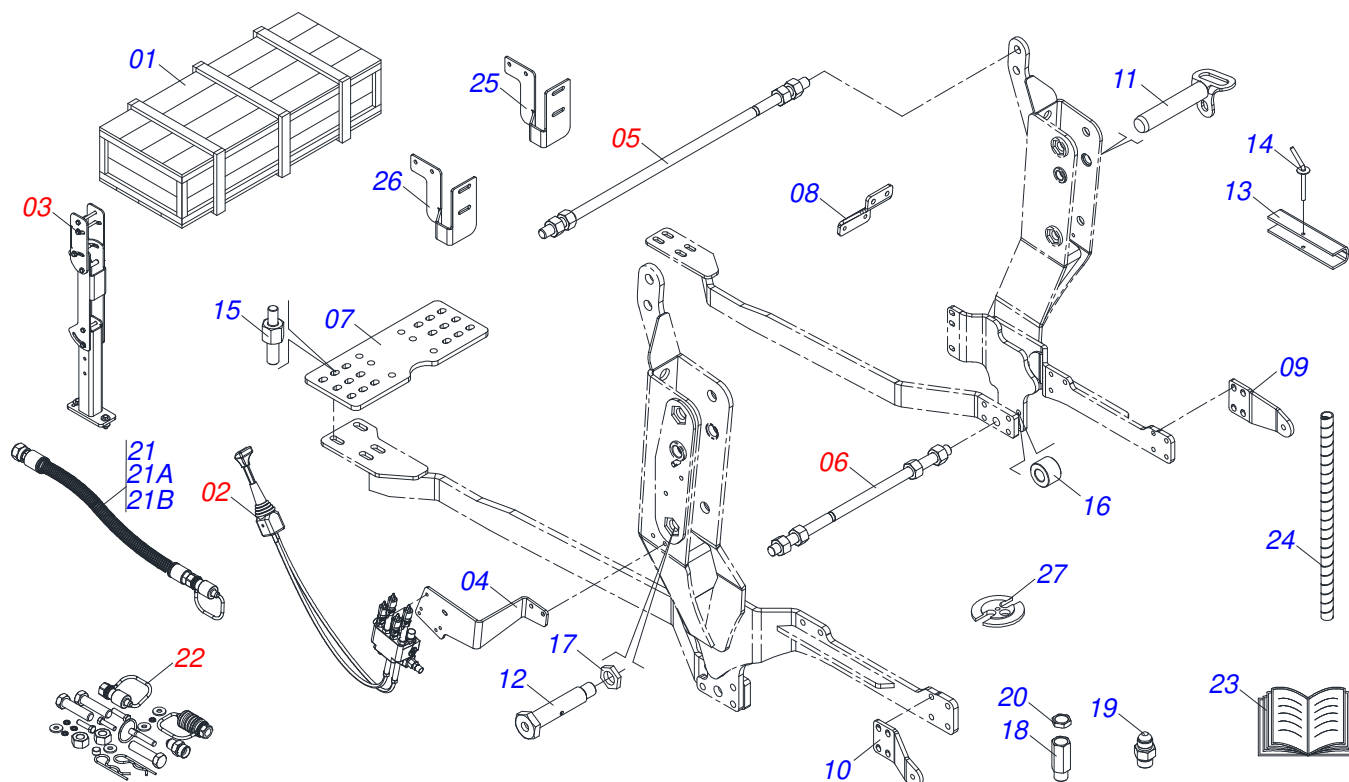
| Item | Code       | Description                            | See page | QT |
|------|------------|--|----------|----|
| 01   | 0521065738 | 44,45 X 836 WELDED ROD PCA-T 1500 PLUS |          | 01 |
| 02   | 0503010063 | 1" SELF-ALIGNING NUT                   |          | 01 |
| 03   | 0503030385 | CYLINDER PLUG N-002                    |          | 02 |
| 04   | 0503010042 | 2-214 N 3006-9B O'RING                 |          | 01 |
| 05   | 0521065737 | LEFT CYLINDER CASE WITH EXTENDER       |          | 01 |
| 06   | 0581010304 | PISTON                                 |          | 01 |
| 07   | 0503018138 | RING BS                                |          | 02 |
| 08   | 0503018140 | RING GUIDE                             |          | 01 |
| 09   | 0503010761 | D-1750 SCRAPER RING                    |          | 01 |
| 10   | 0503010343 | 2-334 N 3006-9B O'RING                 |          | 02 |
| 11   | 0503011059 | 8-334 BACK-UP RING                     |          | 02 |
| 12   | 0503017937 | GASKET                                 |          | 01 |
| 13   | 0581010301 | RING SUPPORT                           |          | 01 |
| 14   | 0503017938 | RING GUIDE                             |          | 01 |
| 15   | 0502011899 | MOBILE COVER                           |          | 01 |



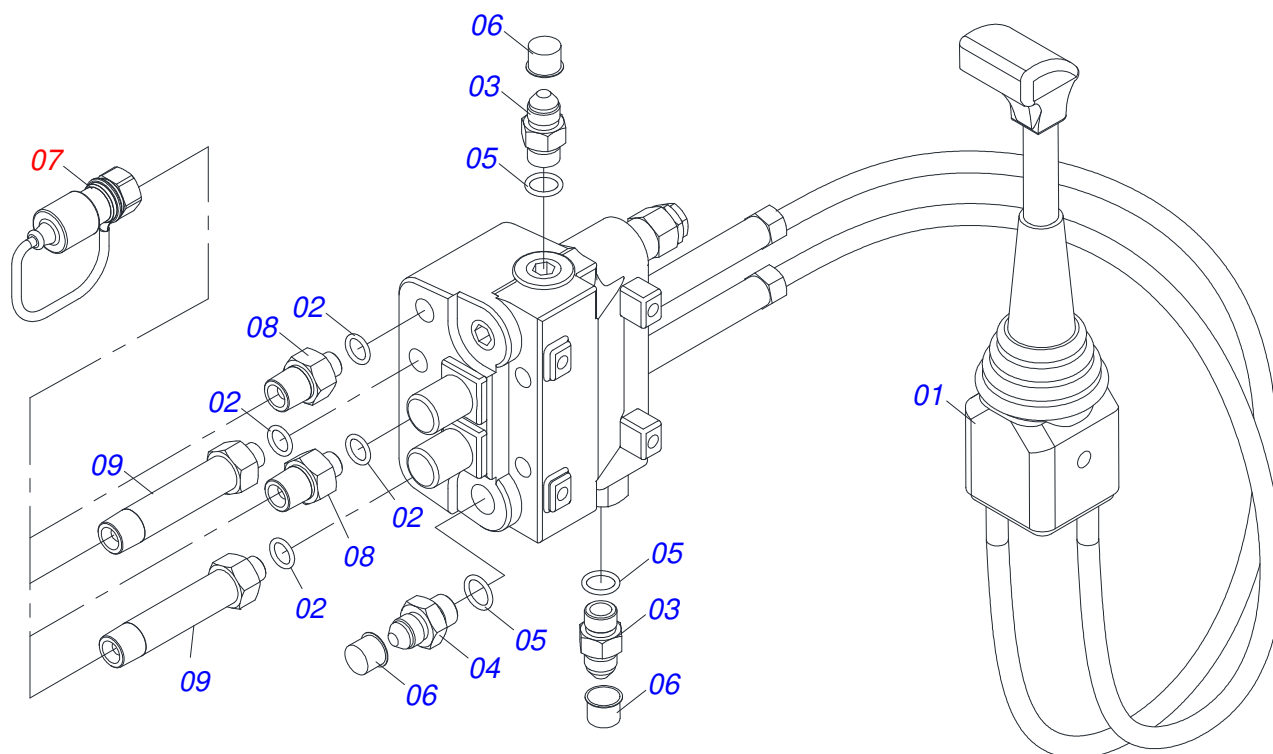
| Item | Code       | Description                          | See page | QT |
|------|------------|--------------------------------------|----------|----|
| 01   | 0521065756 | PLOUGH SUPPORT BODY                  |          | 02 |
| 02   | 0502012530 | REGULATOR NUT BODY R1                |          | 02 |
| 03   | 0502012562 | LEFT SPINDLE R1 X 160                |          | 02 |
| 04   | 0502012529 | RIGHT SPINDLE R1 X 160               |          | 02 |
| 05   | 0503010002 | 1800 GREASE FITTING                  |          | 04 |
| 06   | 0571018253 | 3/4 X 133 PCA-T 1500 COUPLING SHAFT  |          | 04 |
| 07   | 0503010071 | 3/16" X 1" COTTERPIN                 |          | 06 |
| 08   | 0503030012 | HITCH PIN CLIP                       |          | 02 |
| 09   | 0561015578 | 3/4 X 56 PCA VTR A750 COUPLING SHAFT |          | 02 |
| 10   | 0571018252 | REST BASE                            |          | 02 |



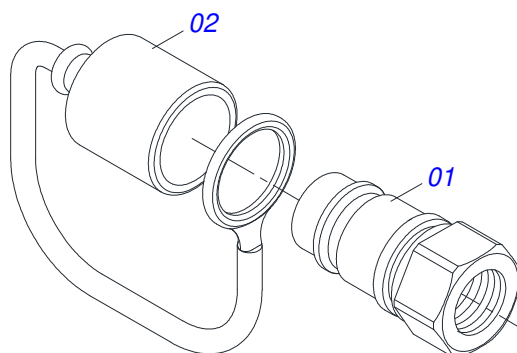
| Item | Code       | Description                | See page | QT |
|------|------------|----------------------------|----------|----|
| 01   | 0521065888 | LEVER                      |          | 01 |
| 02   | 0531060874 | ARTICULATOR                |          | 01 |
| 03   | 0571018125 | RIGHT ARM OF THE UNLOCK    |          | 01 |
| 04   | 0571018935 | SPRING SUPPORT ARM         |          | 01 |
| 05   | 0571018934 | PENDULUM LOCKS             |          | 01 |
| 06   | 0503034192 | TORSION SPRING             |          | 01 |
| 07   | 0503037382 | Ø25 X 120 PVC HANDLE       |          | 01 |
| 08   | 0571018129 | PIN LOCK ACCESSORY         |          | 02 |
| 09   | 0502012952 | LOWER COPYING ARM          |          | 04 |
| 10   | 0502012953 | ARTICULATE MINOR BODY      |          | 02 |
| 11   | 0503010002 | 1800 GREASE FITTING        |          | 06 |
| 12   | 0503010523 | 1/4" X 2" COTTERPIN        |          | 01 |
| 13   | 0571018245 | 1.1/4" UNF X 139 BOLT      |          | 08 |
| 14   | 0503010044 | 1-1/4" SELF LOCKING NUT    |          | 07 |
| 15   | 0571018205 | 1.1/4"XUNF NUT WITH RECESS |          | 01 |
| 16   | 0581010243 | WASHER HEX                 |          | 08 |
| 17   | 0503010849 | 3/8" X 1-1/2" BOLT         |          | 03 |
| 18   | 0503011236 | 3/8" X 2" BOLT             |          | 02 |
| 19   | 0503013357 | 3/8" SELF-ADJUSTING NUT    |          | 05 |
| 20   | 0561011883 | FLAT WASHER                |          | 01 |
| 21   | 0581014204 | FLAT WASHER                |          | 02 |
| 22   | 0521067538 | COPIER ARM                 |          | 02 |
| 23   | 0502012951 | COPIER UPPER               |          | 02 |
| 24   | 0571018264 | 1.1/4" UNF X 149 ZN BOLT   |          | 06 |



| Item | Code       | Description                          | See page | QT |
|------|------------|--------------------------------------|----------|----|
| 01   | 0501100416 | WOODEN BOX                           |          | 01 |
| 02   | 0521045489 | BLOCK COMMAND                        | 19       | 01 |
| 03   | 0521045393 | SET SUPPORT JOY STICK                | 21       | 01 |
| 04   | 0591010088 | COMMAND SUPPORT                      |          | 01 |
| 05   | 0511047399 | 1.1/4" X 40" ROD                     | 22       | 01 |
| 06   | 0521047554 | ROD 1.1 / 4 NC 760 X 4 ASSY WITH NUT | 23       | 01 |
| 07   | 0581016683 | PLATE REAR                           |          | 01 |
| 08   | 0581016630 | FIXER SUPPORT                        |          | 01 |
| 09   | 0581016770 | LEFT BEATER                          |          | 01 |
| 10   | 0581016769 | RIGHT BEATER                         |          | 01 |
| 11   | 0521067468 | MOBILE HOLDER COUPLING HUB           |          | 02 |
| 12   | 0581013410 | 1.1/4" UNF X 155 BOLT                |          | 02 |
| 13   | 0531017238 | LOCK TRANSPORT                       |          | 02 |
| 14   | 0501068994 | 8,30 X 78 LOCK PIN                   |          | 02 |
| 15   | 0581016974 | STUD                                 |          | 04 |
| 16   | 0591010080 | BUSHING                              |          | 03 |
| 17   | 0581010243 | WASHER HEX                           |          | 02 |
| 18   | 0581016628 | ADAPTER BODY                         |          | 01 |
| 19   | 0561018342 | 1" NF NIPPLE                         |          | 01 |
| 20   | 0581016949 | LOCKNUT                              |          | 01 |
| 21   | 0521055545 | HOSE GAME                            |          | 01 |
| 21A  | 0501081427 | 1/2 X 3200 HOSE TC-TC                |          | 01 |
| 21B  | 0501081861 | MANGUERA 1/2 X 3300 TC-TR            |          | 02 |
| 22   | 0511033540 | PARCKED PARTS                        | 24       | 01 |
| 23   | 0511033668 | BAG WITH INSTRUCTION MANUAL          |          | 01 |
| 24   | 0581010090 | SPRING PROTECTION PLASTIC HOSE       |          | 02 |
| 25   | 0591012140 | LEFT BASE TOOL BOX                   |          | 01 |
| 26   | 0591012141 | TOOL BOX BASE                        |          | 01 |
| 27   | 0581013404 | PUMP                                 |          | 02 |

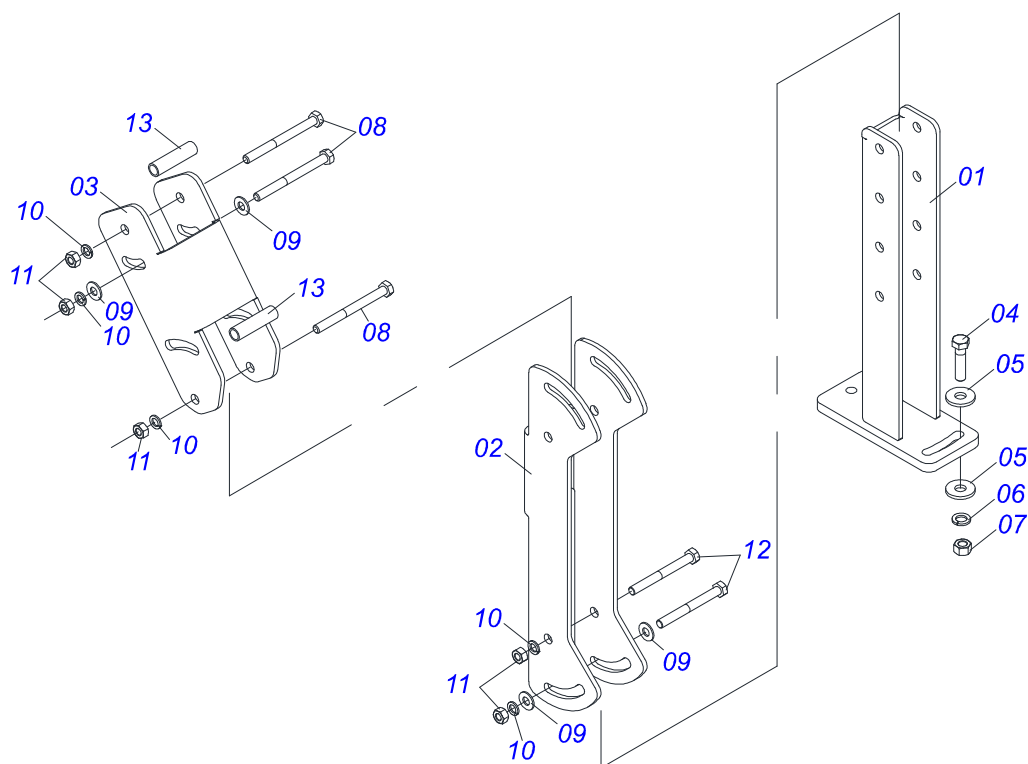


| Item | Code       | Description               | See page | QT |
|------|------------|---------------------------|----------|----|
| 01   | 0503062412 | COMPLETE JOYSTICK CONTROL |          | 01 |
| 02   | 0503011108 | 2-112 O'RING              |          | 04 |
| 03   | 0501010617 | 3/4" NIPPLE               |          | 02 |
| 04   | 0501011460 | 7/8 NF REDUCTION NIPPLE   |          | 01 |
| 05   | 0503010190 | 2-114 N 3006-9B O'RING    |          | 03 |
| 06   | 0503030385 | CYLINDER PLUG N-002       |          | 03 |
| 07   | 0501053834 | MALE QUICK COUPLER        | 20       | 04 |
| 08   | 0571018717 | ADAPTER                   |          | 02 |
| 09   | 0571018716 | ADAPTER                   |          | 02 |

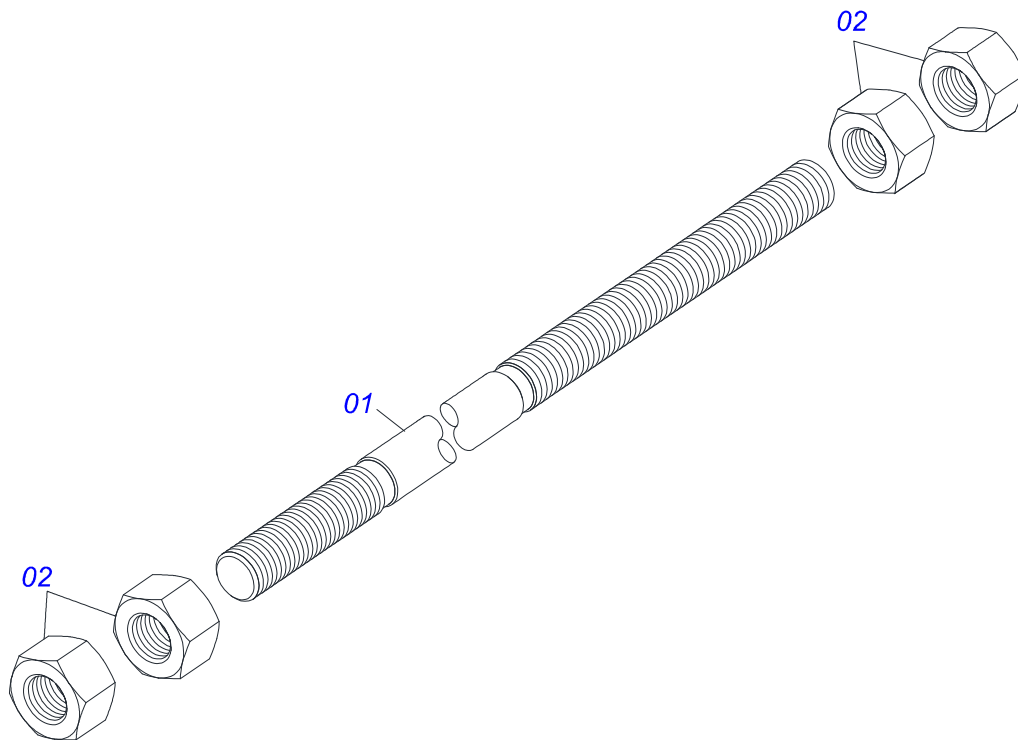


| Item | Code       | Description                    | See page | QT |
|------|------------|--------------------------------|----------|----|
| 01   | 0503011627 | MALE QUICK COUPLER AGR 1/2 NPT |          | 01 |
| 02   | 0503011882 | MALE QUICK COUPLER CAP         |          | 01 |

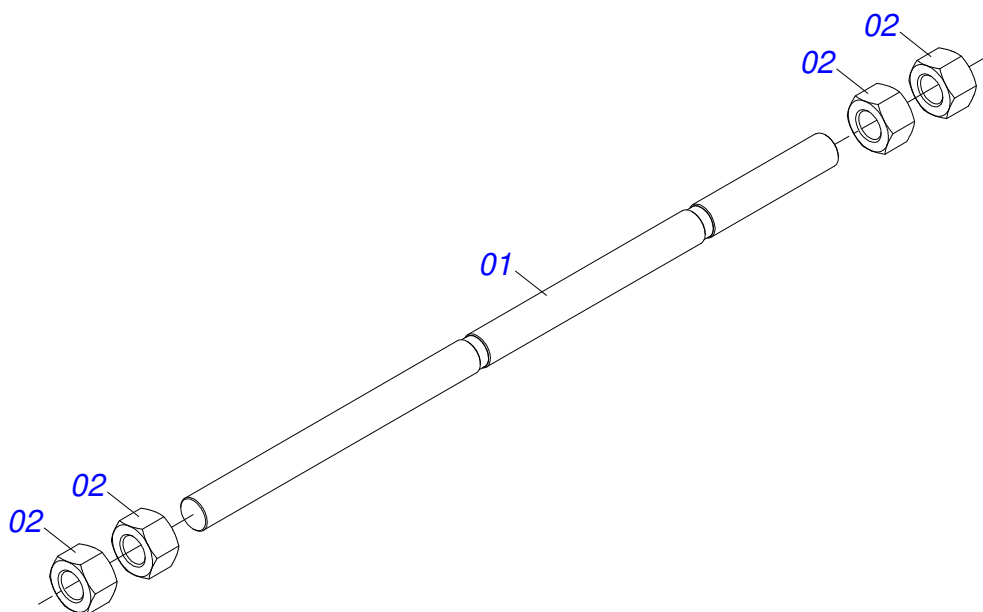




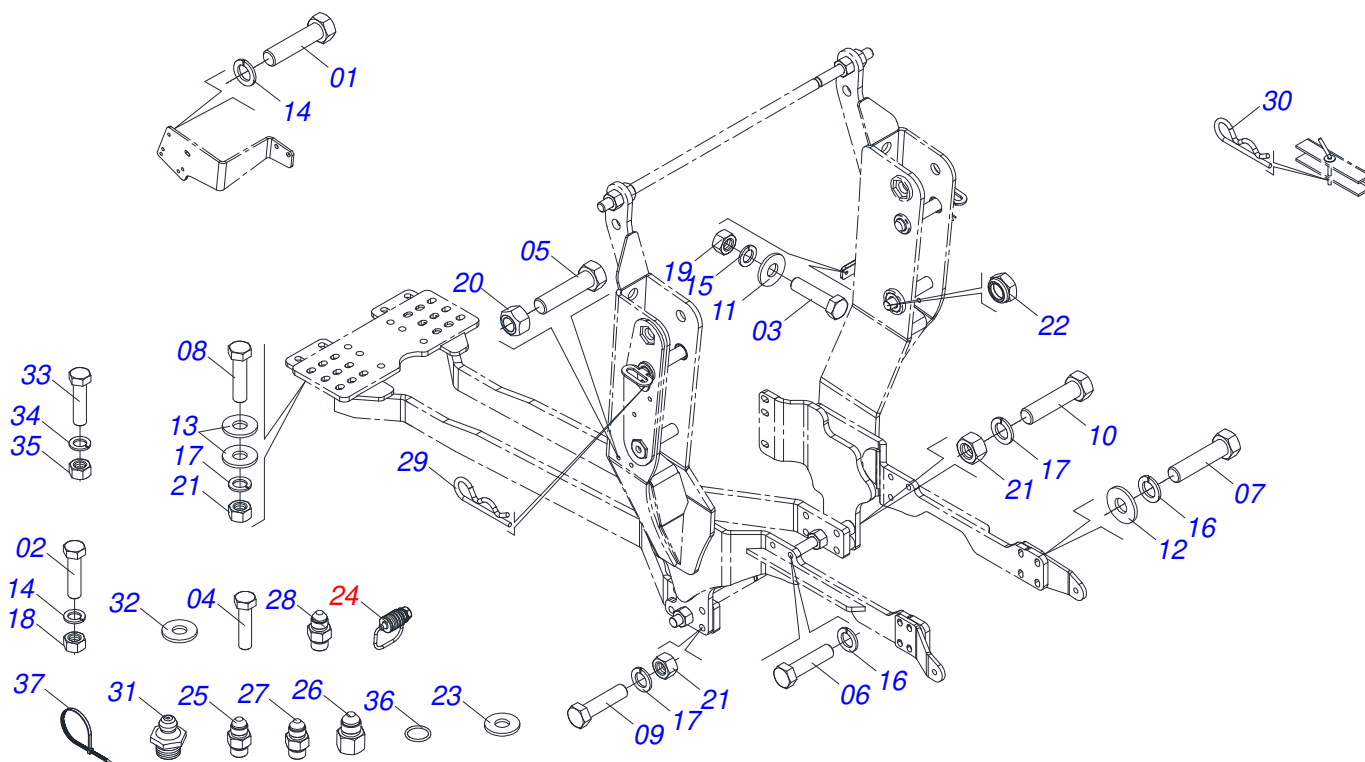
| Item | Code       | Description                          | See page | QT |
|------|------------|--------------------------------------|----------|----|
| 01   | 0521065789 | LOWER JOYSTICK SUPPORT               |          | 01 |
| 02   | 0571018376 | CENTRAL BODY SUPPLEMENT OF JOYSTICK  |          | 01 |
| 03   | 0571018375 | SUPERIOR BODY SUPPLEMENT OF JOYSTICK |          | 01 |
| 04   | 0503010849 | 3/8" X 1-1/2" BOLT                   |          | 02 |
| 05   | 0501010984 | FLAT WASHER                          |          | 02 |
| 06   | 0503010025 | 3/8" SPRING WASHER                   |          | 02 |
| 07   | 0503010026 | 3/8" NUT                             |          | 02 |
| 08   | 0503010848 | 5/16" X 3.1/2" BOLT                  |          | 04 |
| 09   | 0501010694 | FLAT WASHER                          |          | 06 |
| 10   | 0503010179 | LOCK WASHER                          |          | 06 |
| 11   | 0503010337 | 5/16" NUT                            |          | 06 |
| 12   | 0503011053 | 5/16" X 3" C S 6.5 ZN BOLT           |          | 02 |
| 13   | 0541015551 | 0.39" X 0.512" X 1.9" SLEEVE         |          | 02 |



| Item | Code       | Description               | See page | QT |
|------|------------|---------------------------|----------|----|
| 01   | 0561010598 | 1.1/4 UNC 7FPP X 1140 ROD |          | 01 |
| 02   | 0501010087 | 1.1/4" NUT                |          | 04 |



| Item | Code       | Description      | See page | QT |
|------|------------|------------------|----------|----|
| 01   | 0501010628 | 1.1/4" X 760 ROD |          | 01 |
| 02   | 0501010087 | 1.1/4" NUT       |          | 04 |



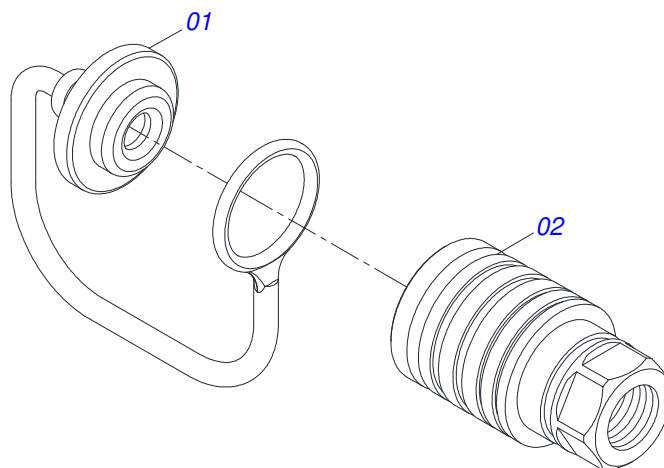
| Item | Code       | Description                    | See page | QT |
|------|------------|--------------------------------|----------|----|
| 01   | 0503016506 | 5/16 UNC X 3/4 C S G.5 ZN BOLT |          | 04 |
| 02   | 0503010363 | 5/16" X 1" BOLT                |          | 02 |
| 03   | 0503010849 | 3/8" X 1-1/2" BOLT             |          | 02 |
| 04   | 0503011087 | 3/8" X 1" BOLT                 |          | 04 |
| 05   | 0501010063 | 1/2" X 1-1/2" BOLT             |          | 04 |
| 06   | 0503013378 | M16 X 2 X 50 BOLT              |          | 12 |
| 07   | 0503019419 | BOLT                           |          | 04 |
| 08   | 0503013390 | 3/4" UNC BOLT                  |          | 04 |
| 09   | 0501010500 | 3/4"X3"BOLT                    |          | 03 |
| 10   | 0503011328 | 3/4" X 4" BOLT                 |          | 03 |
| 11   | 0501010984 | FLAT WASHER                    |          | 02 |
| 12   | 0501012140 | FLAT WASHER                    |          | 10 |
| 13   | 0501010322 | FLAT WASHER                    |          | 08 |
| 14   | 0503010179 | LOCK WASHER                    |          | 06 |
| 15   | 0503010025 | 3/8" SPRING WASHER             |          | 06 |
| 16   | 0503010027 | 5/8" SPRING WASHER             |          | 16 |
| 17   | 0503010023 | 3/4" SPRING WASHER             |          | 14 |
| 18   | 0503010337 | 5/16" NUT                      |          | 02 |
| 19   | 0503010026 | 3/8" NUT                       |          | 06 |
| 20   | 0503011336 | 1/2" HEX SELF ADJUSTING NUT    |          | 04 |
| 21   | 0503010014 | 3/4" NUT                       |          | 14 |
| 22   | 0503010044 | 1-1/4" SELF LOCKING NUT        |          | 02 |
| 23   | 0501013518 | FLAT WASHER                    |          | 04 |
| 24   | 0501053835 | FEMALE QUICK COUPLER           | 25       | 04 |
| 25   | 0501011460 | 7/8 NF REDUCTION NIPPLE        |          | 02 |
| 26   | 0571019584 | 7/8 UNF NIPLE                  |          | 01 |
| 27   | 0501010590 | NIPPLE                         |          | 01 |
| 28   | 0571015342 | 3/4" NIPLE                     |          | 04 |
| 29   | 0503030012 | HITCH PIN CLIP                 |          | 02 |
| 30   | 0503030168 | HITCH PIN CLIP                 |          | 02 |
| 31   | 0503010002 | 1800 GREASE FITTING            |          | 02 |



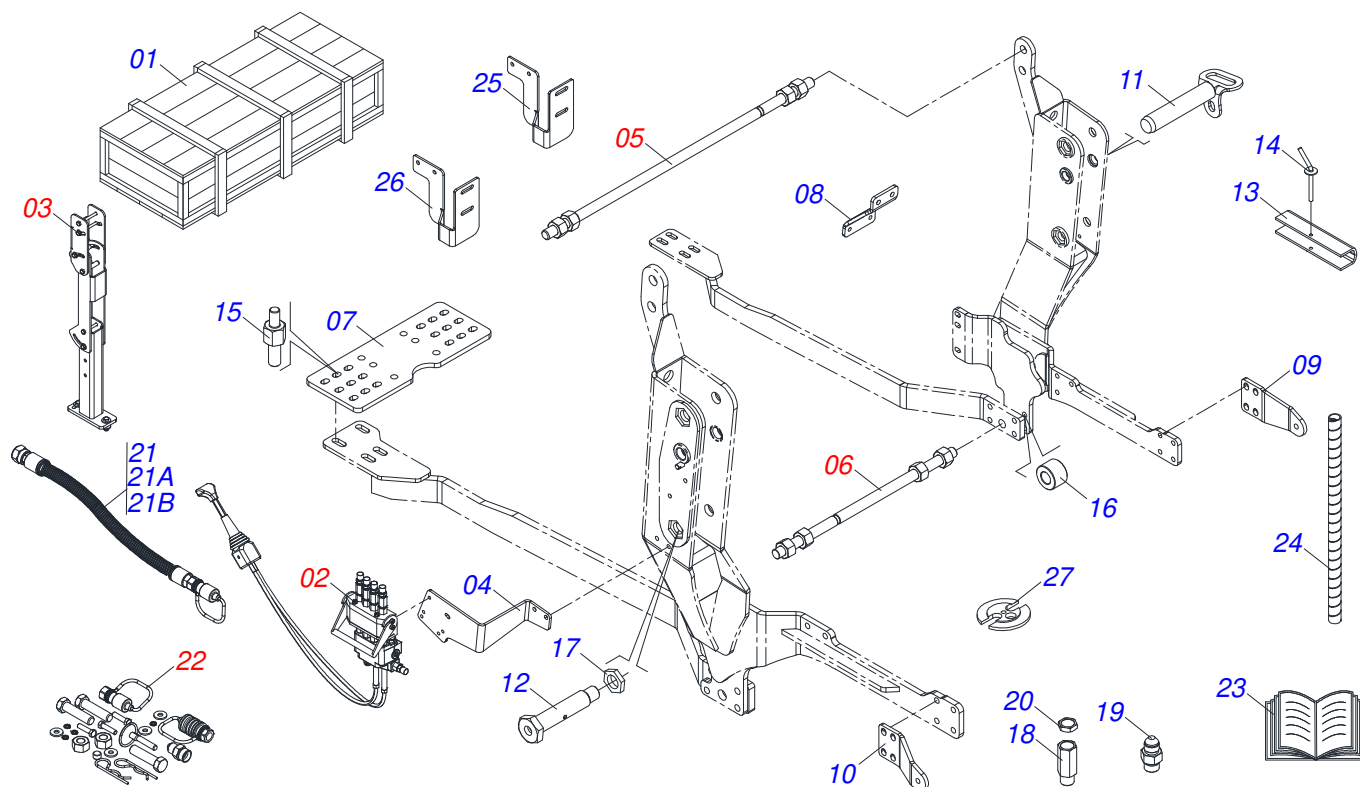
PARCKED PARTS

0511033540

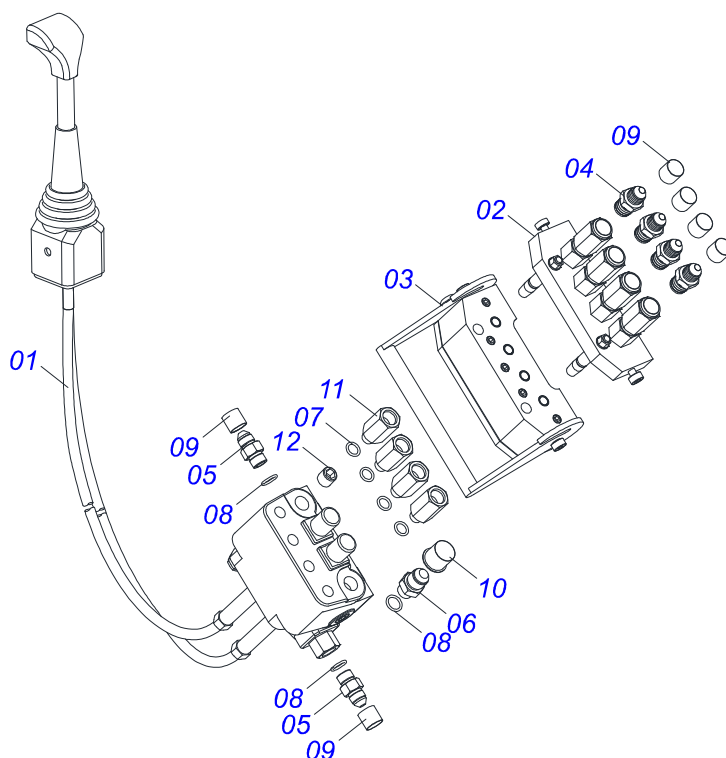
| Item | Code       | Description         | See page | QT |
|------|------------|---------------------|----------|----|
| 32   | 0501010694 | FLAT WASHER         |          | 01 |
| 33   | 0503017866 | 3/16" X 1,1/2" BOLT |          | 01 |
| 34   | 0503010668 | 3/16" SPRING WASHER |          | 01 |
| 35   | 0503010667 | 3/16" NUT           |          | 01 |
| 36   | 0503011034 | RING                |          | 01 |
| 37   | 0503013527 | CLAMP ZIPER         |          | 10 |



| Item | Code       | Description            | See page | QT |
|------|------------|------------------------|----------|----|
| 01   | 0503011883 | QUICK CONNECTION COVER |          | 01 |
| 02   | 0503011628 | FEMALE QUICK COUPLER   |          | 01 |

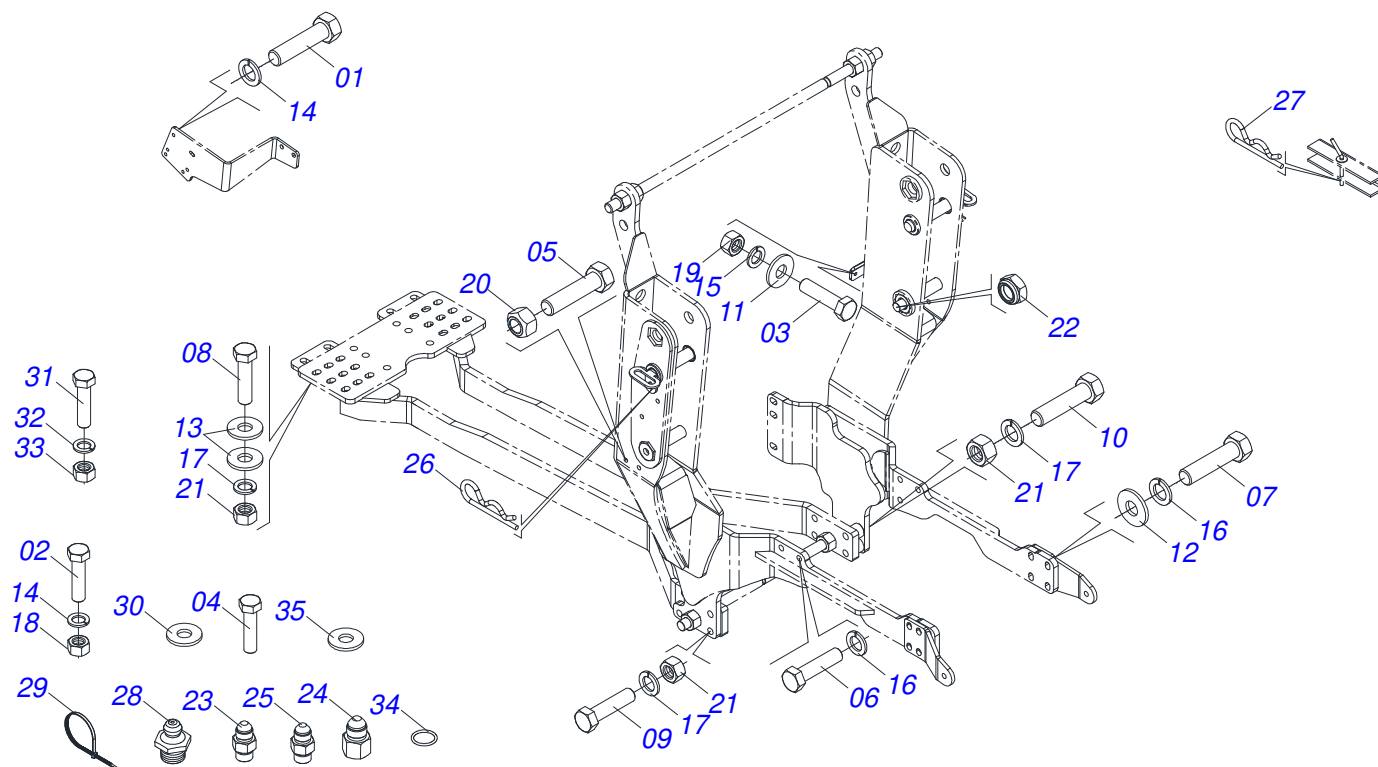


| Item | Code       | Description                          | See page | QT |
|------|------------|--------------------------------------|----------|----|
| 01   | 0501100416 | WOODEN BOX                           |          | 01 |
| 02   | 0521045676 | COMPLETE SET COMMAND                 | 27       | 01 |
| 03   | 0521045393 | SET SUPPORT JOY STICK                | 21       | 01 |
| 04   | 0591010088 | COMMAND SUPPORT                      |          | 01 |
| 05   | 0511047399 | 1.1/4" X 40" ROD                     | 22       | 01 |
| 06   | 0521047554 | ROD 1.1 / 4 NC 760 X 4 ASSY WITH NUT | 23       | 01 |
| 07   | 0581016683 | PLATE REAR                           |          | 01 |
| 08   | 0581016630 | FIXER SUPPORT                        |          | 01 |
| 09   | 0581016770 | LEFT BEATER                          |          | 01 |
| 10   | 0581016769 | RIGHT BEATER                         |          | 01 |
| 11   | 0521067468 | MOBILE HOLDER COUPLING HUB           |          | 02 |
| 12   | 0581013410 | 1.1/4" UNF X 155 BOLT                |          | 02 |
| 13   | 0531017238 | LOCK TRANSPORT                       |          | 02 |
| 14   | 0501068994 | 8,30 X 78 LOCK PIN                   |          | 02 |
| 15   | 0581016974 | STUD                                 |          | 04 |
| 16   | 0591010080 | BUSHING                              |          | 03 |
| 17   | 0581010243 | WASHER HEX                           |          | 02 |
| 18   | 0581016628 | ADAPTER BODY                         |          | 01 |
| 19   | 0561018342 | 1" NF NIPPLE                         |          | 01 |
| 20   | 0581016949 | LOCKNUT                              |          | 01 |
| 21   | 0521055545 | HOSE GAME                            |          | 01 |
| 21A  | 0501081427 | 1/2 X 3200 HOSE TC-TC                |          | 01 |
| 21B  | 0501081861 | MANGUERA 1/2 X 3300 TC-TR            |          | 02 |
| 22   | 0511033541 | PACKED PARTS                         | 28       | 01 |
| 23   | 0511033668 | BAG WITH INSTRUCTION MANUAL          |          | 01 |
| 24   | 0581010090 | SPRING PROTECTION PLASTIC HOSE       |          | 02 |
| 25   | 0591012140 | LEFT BASE TOOL BOX                   |          | 01 |
| 26   | 0591012141 | TOOL BOX BASE                        |          | 01 |
| 27   | 0581013404 | PUMP                                 |          | 02 |



| Item | Code       | Description  | See page | QT |
|------|------------|--|----------|----|
| 01   | 0503062412 | COMPLETE JOYSTICK CONTROL                                  |          | 01 |
| 02   | 0503062408 | QUICK COUPLING STEEL CARBON MULTIFASTER<br>3PW06-4-12G M C |          | 01 |
| 03   | 0503062409 | QUICK COUPLING STEEL CARBON MULTIFASTER<br>2PW06-4-1/12SFC |          | 01 |
| 04   | 0571015342 | 3/4" NIPPLE  |          | 04 |
| 05   | 0501010617 | 3/4" NIPPLE  |          | 02 |
| 06   | 0501011460 | 7/8 NF REDUCTION NIPPLE                                    |          | 01 |
| 07   | 0503011108 | 2-112 O'RING   |          | 04 |
| 08   | 0503010190 | 2-114 N 3006-9B O'RING                                     |          | 03 |
| 09   | 0503030385 | CYLINDER PLUG N-002  |          | 06 |
| 10   | 0503030387 | PLUG   |          | 01 |
| 11   | 0571019055 | ADAPT 9/16 UNF X 3/4 UNF                                   |          | 04 |
| 12   | 0531017427 | 3/4" X 06" PUMP  |          | 01 |





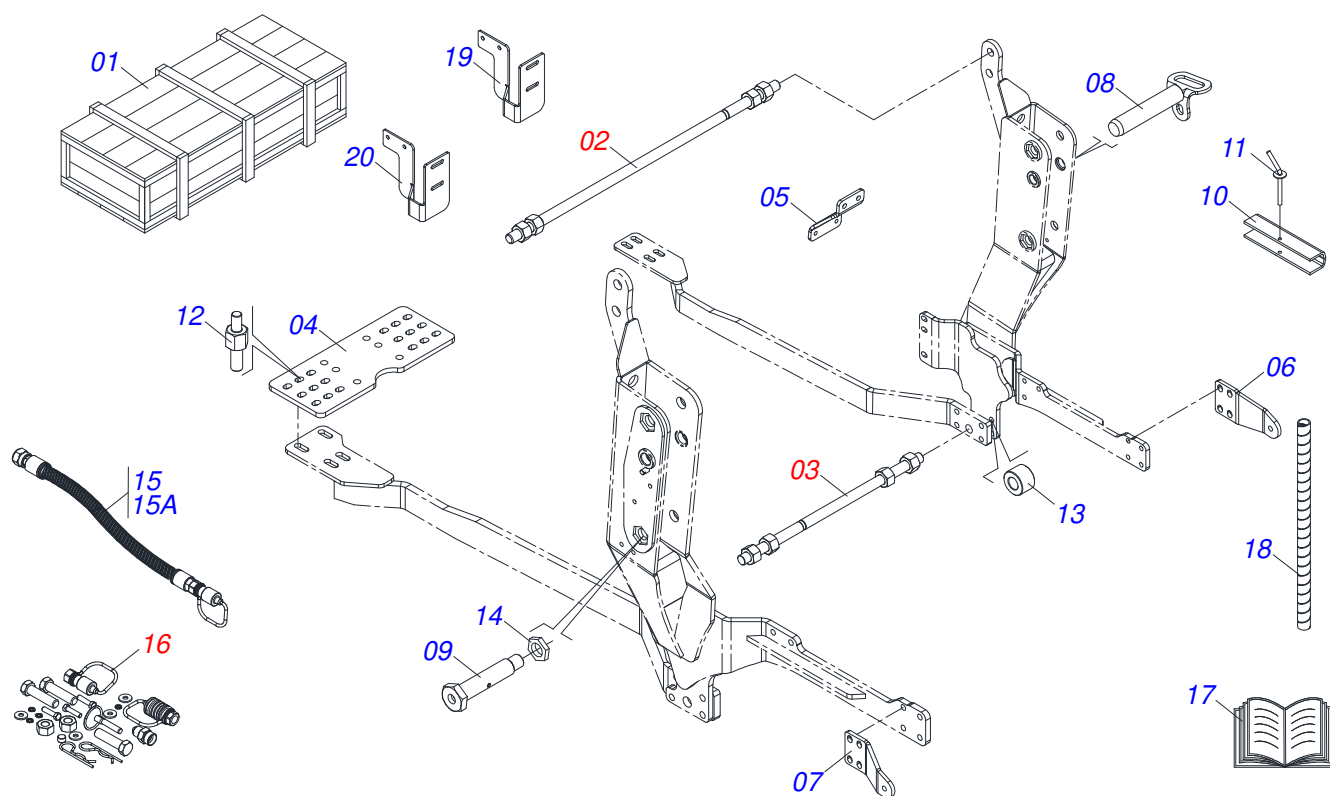
| Item | Code       | Description                    | See page | QT |
|------|------------|--------------------------------|----------|----|
| 01   | 0503016506 | 5/16 UNC X 3/4 C S G.5 ZN BOLT |          | 04 |
| 02   | 0503010363 | 5/16" X 1" BOLT                |          | 02 |
| 03   | 0503010849 | 3/8" X 1-1/2" BOLT             |          | 02 |
| 04   | 0503011087 | 3/8" X 1" BOLT                 |          | 04 |
| 05   | 0501010063 | 1/2" X 1-1/2" BOLT             |          | 04 |
| 06   | 0503013378 | M16 X 2 X 50 BOLT              |          | 12 |
| 07   | 0503019419 | BOLT                           |          | 04 |
| 08   | 0503013390 | 3/4" UNC BOLT                  |          | 04 |
| 09   | 0501010500 | 3/4"X3"BOLT                    |          | 03 |
| 10   | 0503011328 | 3/4" X 4" BOLT                 |          | 03 |
| 11   | 0501010984 | FLAT WASHER                    |          | 02 |
| 12   | 0501012140 | FLAT WASHER                    |          | 10 |
| 13   | 0501010322 | FLAT WASHER                    |          | 08 |
| 14   | 0503010179 | LOCK WASHER                    |          | 06 |
| 15   | 0503010025 | 3/8" SPRING WASHER             |          | 06 |
| 16   | 0503010027 | 5/8" SPRING WASHER             |          | 16 |
| 17   | 0503010023 | 3/4" SPRING WASHER             |          | 14 |
| 18   | 0503010337 | 5/16" NUT                      |          | 02 |
| 19   | 0503010026 | 3/8" NUT                       |          | 06 |
| 20   | 0503011336 | 1/2" HEX SELF ADJUSTING NUT    |          | 04 |
| 21   | 0503010014 | 3/4" NUT                       |          | 14 |
| 22   | 0503010044 | 1-1/4" SELF LOCKING NUT        |          | 02 |
| 23   | 0501011460 | 7/8 NF REDUCTION NIPPLE        |          | 02 |
| 24   | 0571019584 | 7/8 UNF NIPLE                  |          | 01 |
| 25   | 0501010590 | NIPPLE                         |          | 01 |
| 26   | 0503030012 | HITCH PIN CLIP                 |          | 02 |
| 27   | 0503030168 | HITCH PIN CLIP                 |          | 02 |
| 28   | 0503010002 | 1800 GREASE FITTING            |          | 02 |
| 29   | 0503013527 | CLAMP ZIPER                    |          | 10 |
| 30   | 0501010694 | FLAT WASHER                    |          | 01 |
| 31   | 0503017866 | 3/16" X 1,1/2" BOLT            |          | 01 |



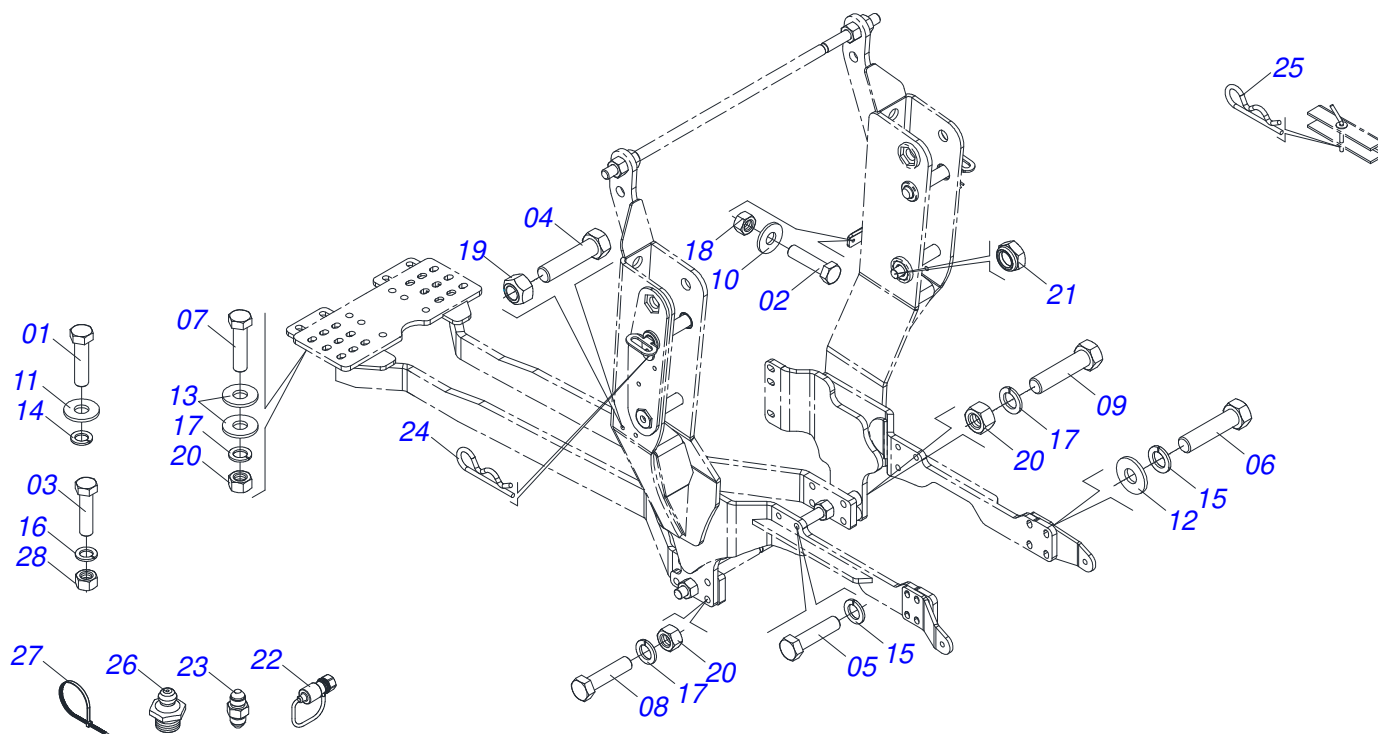
PACKED PARTS

0511033541

| Item | Code       | Description         | See page | QT |
|------|------------|---------------------|----------|----|
| 32   | 0503010668 | 3/16" SPRING WASHER |          | 01 |
| 33   | 0503010667 | 3/16" NUT           |          | 01 |
| 34   | 0503011034 | RING                |          | 01 |
| 35   | 0501013518 | FLAT WASHER         |          | 04 |



| Item | Code       | Description                          | See page | QT |
|------|------------|--------------------------------------|----------|----|
| 01   | 0501100416 | WOODEN BOX                           |          | 01 |
| 02   | 0511047399 | 1.1/4" X 40" ROD                     | 22       | 01 |
| 03   | 0521047554 | ROD 1.1 / 4 NC 760 X 4 ASSY WITH NUT | 23       | 01 |
| 04   | 0581016683 | PLATE REAR                           |          | 01 |
| 05   | 0581016630 | FIXER SUPPORT                        |          | 01 |
| 06   | 0581016770 | LEFT BEATER                          |          | 01 |
| 07   | 0581016769 | RIGHT BEATER                         |          | 01 |
| 08   | 0521067468 | MOBILE HOLDER COUPLING HUB           |          | 02 |
| 09   | 0581013410 | 1.1/4" UNF X 155 BOLT                |          | 02 |
| 10   | 0531017238 | LOCK TRANSPORT                       |          | 02 |
| 11   | 0501068994 | 8,30 X 78 LOCK PIN                   |          | 02 |
| 12   | 0581016974 | STUD                                 |          | 04 |
| 13   | 0591010080 | BUSHING                              |          | 03 |
| 14   | 0581010243 | WASHER HEX                           |          | 02 |
| 15   | 0521050403 | HOSE SET                             |          | 01 |
| 15A  | 0501080384 | TR-TM HOSE ASSY                      |          | 04 |
| 16   | 0511033539 | PACKED PARTS                         | 30       | 01 |
| 17   | 0511033668 | BAG WITH INSTRUCTION MANUAL          |          | 01 |
| 18   | 0581010090 | SPRING PROTECTION PLASTIC HOSE       |          | 02 |
| 19   | 0591012140 | LEFT BASE TOOL BOX                   |          | 01 |
| 20   | 0591012141 | TOOL BOX BASE                        |          | 01 |



| Item | Code       | Description                                   | See page | QT |
|------|------------|---|----------|----|
| 01   | 0503011087 | 3/8" X 1" BOLT                                |          | 04 |
| 02   | 0503010849 | 3/8" X 1-1/2" BOLT                            |          | 02 |
| 03   | 0503010363 | 5/16" X 1" BOLT                               |          | 02 |
| 04   | 0501010063 | 1/2" X 1-1/2" BOLT                            |          | 02 |
| 05   | 0503013378 | M16 X 2 X 50 BOLT                             |          | 12 |
| 06   | 0503019419 | BOLT  |          | 04 |
| 07   | 0503013390 | 3/4" UNC BOLT                                 |          | 04 |
| 08   | 0501010500 | 3/4"X3"BOLT                                   |          | 03 |
| 09   | 0503011328 | 3/4" X 4" BOLT                                |          | 03 |
| 10   | 0501010984 | FLAT WASHER                                   |          | 02 |
| 11   | 0501013518 | FLAT WASHER                                   |          | 04 |
| 12   | 0501012140 | FLAT WASHER                                   |          | 10 |
| 13   | 0501010322 | FLAT WASHER                                   |          | 08 |
| 14   | 0503010025 | 3/8" SPRING WASHER                            |          | 06 |
| 15   | 0503010027 | 5/8" SPRING WASHER                            |          | 16 |
| 16   | 0503010179 | LOCK WASHER                                   |          | 02 |
| 17   | 0503010023 | 3/4" SPRING WASHER                            |          | 14 |
| 18   | 0503010026 | 3/8" NUT                                      |          | 06 |
| 19   | 0503011336 | 1/2" HEX SELF ADJUSTING NUT                   |          | 02 |
| 20   | 0503010014 | 3/4" NUT                                      |          | 14 |
| 21   | 0503010044 | 1-1/4" SELF LOCKING NUT                       |          | 02 |
| 22   | 0501053834 | MALE QUICK COUPLER                            | 20       | 04 |
| 23   | 0571018714 | 3/4"X3/4"UNF NIPPLE UNION (HEXAGONAL 7/8"X50) |          | 04 |
| 24   | 0503030012 | HITCH PIN CLIP                                |          | 02 |
| 25   | 0503030168 | HITCH PIN CLIP                                |          | 02 |
| 26   | 0503010002 | 1800 GREASE FITTING                           |          | 02 |
| 27   | 0503013527 | CLAMP ZIPER                                   |          | 10 |
| 28   | 0503010337 | 5/16" NUT                                     |          | 02 |





**MARCHESAN**

**Technical Publications | Elaboration and Revision**

LORENA ROCHA ALVES

[www.marchesan.com.br](http://www.marchesan.com.br)

