

PD - FRONT LOADER

PD MF - S/A

Code: 0501093313
Series: S-0620
Revision: 00
Date Revision: JUNHO/2022

PARTS CATALOGUE



MARCHESAN



PRODUCTS

Code	Description
0106030440	PD MF 4305/4306/4307 BT CDC ESP S-0620
0106030438	PD MF 4305/4306/4307 BT SC ESP S-0620

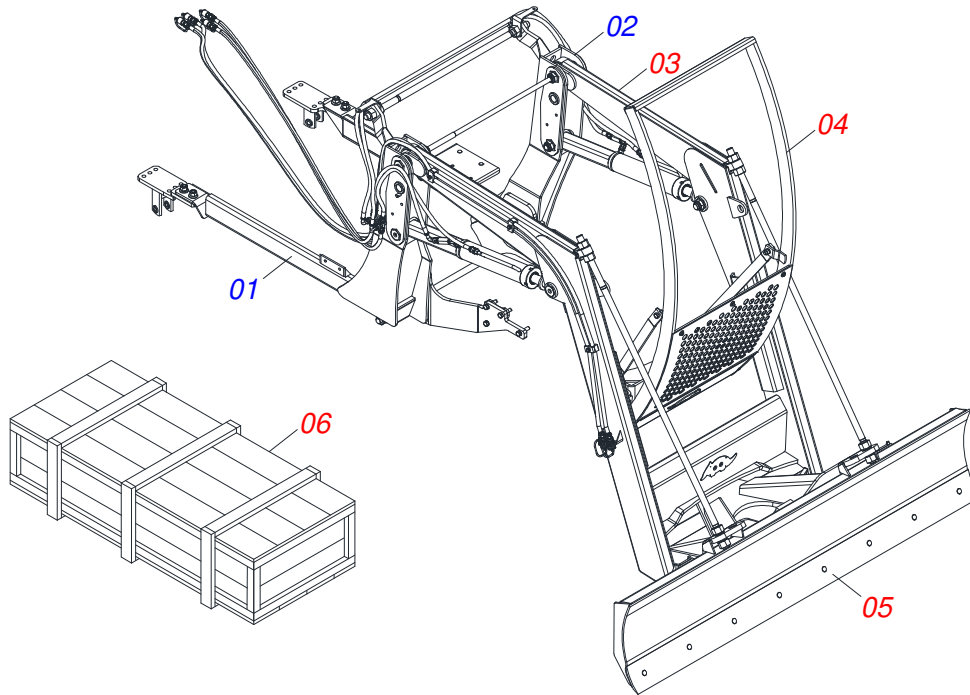
ATTENTION: IMPORTANT

Marchesan S.A. reserves the right to improve and/or modify the technical features of its products, without obligation to do the same with those products already sold and without prior knowledge of the dealer or the consumer. The photos are only illustrative.

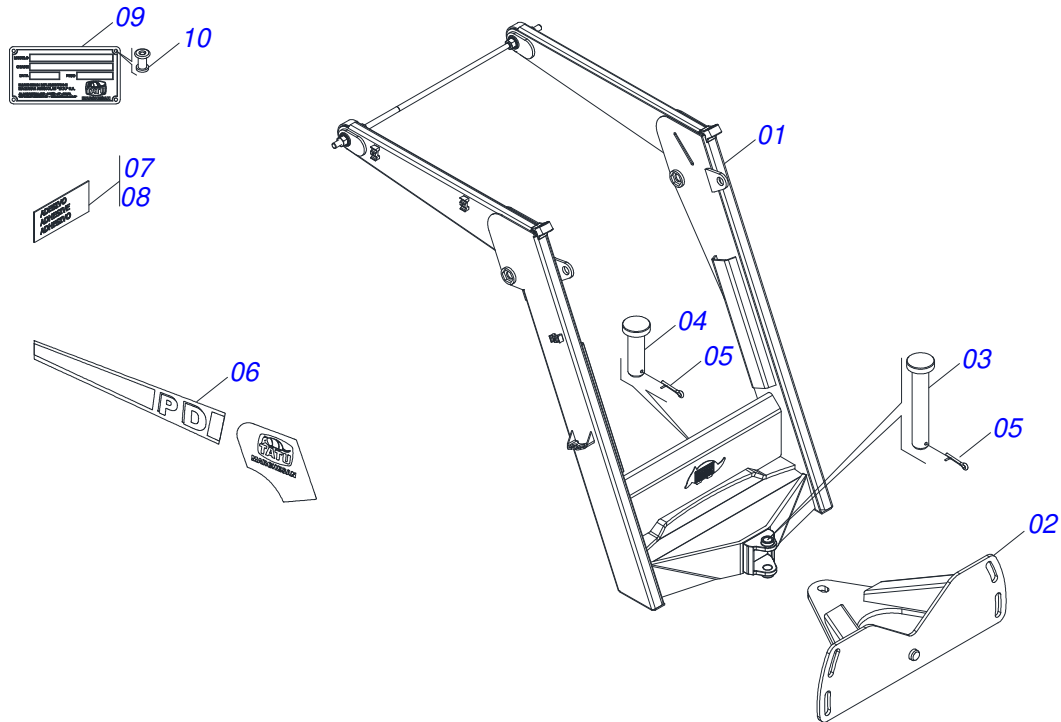


INDEX

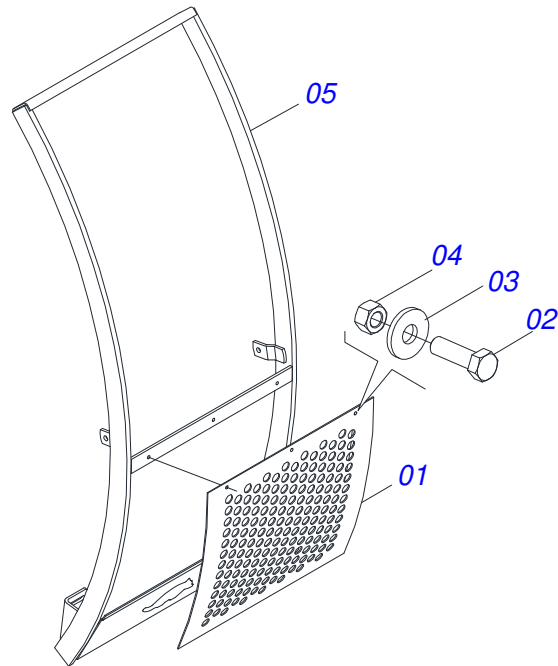
0909096376	ASSY FRAME	1
0521049957	MOBILE SUPPORT ASSY	2
0501048330	MOBILE SUPPORT GUIDE ASSY	3
0511047750	2400 SCRAPER ASSY WITH STABILIZER BRACKET	4
0501047708	2400 BLADE SUPPORT	5
0521026494	BOX WITH COMPONENTS	6
0501042819	1.1/4"NC X 33.46" ROD ASSY	7
0511047399	1.1/4" X 40" ROD	8
0521047923	ROD	9
0909096377	HYDRAULIC CIRCUIT	10
0521049956	HIDRAULIC CYLINDER	11
0521049955	HIDRAULIC CYLINDER	12
0511057771	R.7/8UNF - SAFETY VALVE	13
0511033919	PACKED PARTS	14
0501053834	MALE QUICK COUPLER	15
0501053835	FEMALE QUICK COUPLER	16
0521026498	BOX WITH COMPONENTS	17
0521045393	SET SUPPORT JOY STICK	18
0521047176	COMMAND	19
0909096378	HYDRAULIC CIRCUIT	20
0511033922	PACKED PARTS	21



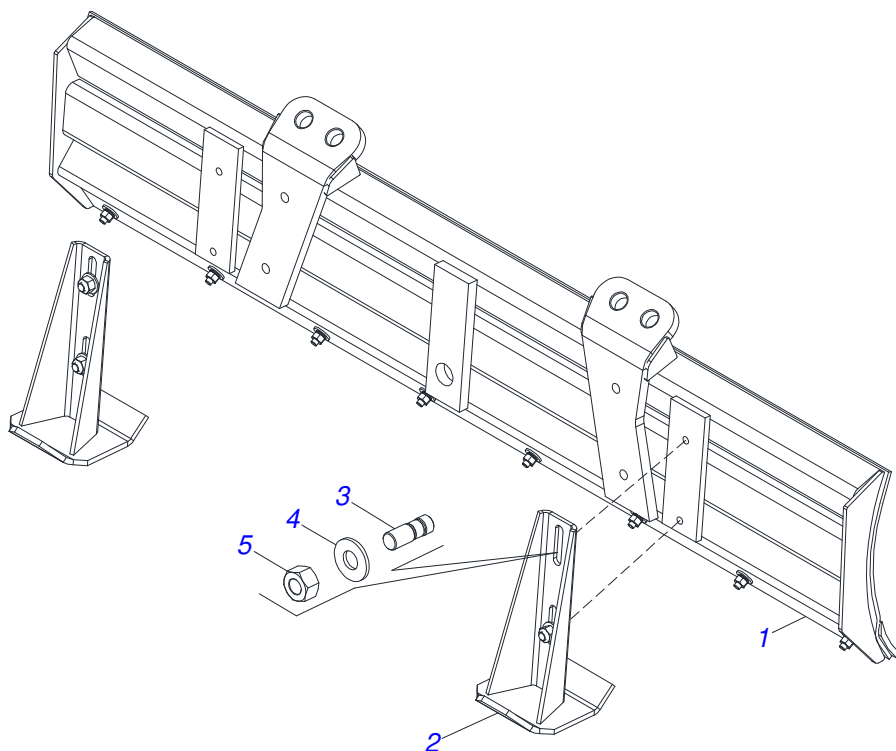
Item	Code	Description	See page	QT
01	0531061450	RIGHT FRAME 4703		01
02	0531061451	LEFT FRAME 4307		01
03	0521049957	MOBILE SUPPORT ASSY	2	01
04	0501048330	MOBILE SUPPORT GUIDE ASSY	3	01
05	0511047750	2400 SCRAPER ASSY WITH STABILIZER BRACKET	4	01
06	0521026494	BOX WITH COMPONENTS	6	01
06.	0521026498	BOX WITH COMPONENTS	17	01



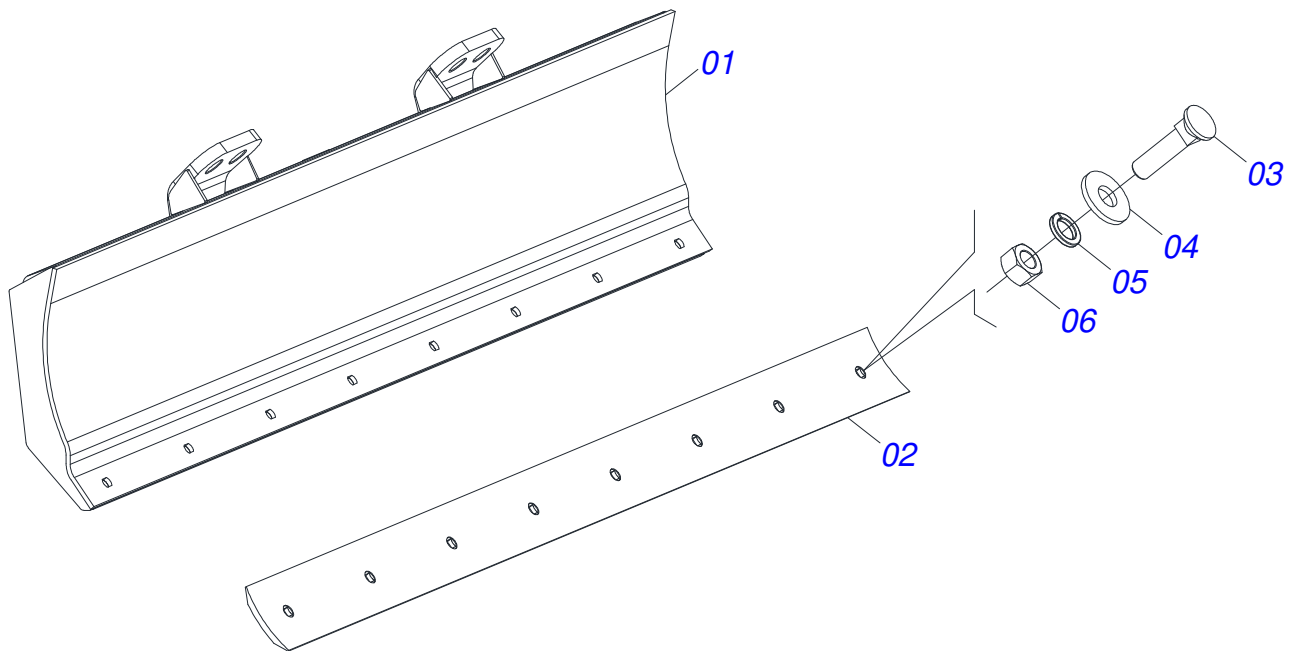
Item	Code	Description	See page	QT
01	0531060773	MOBILE SUPPORT		01
02	0501062637	5/8" REGULATOR SUPPORT		01
03	0521010618	1.4" X 8.6" COUPLING SHAFT		01
04	0521010612	1.4" X 3.5" COUPLING SHAFT		01
05	0503010010	1/4" X 2.1/2" COTTERPIN		02
06	0503062270	SET LABEL ADHESIVE		01
07	0503034078	LIFTING POINTS DECAL		01
08	0503031087	ADHESIVE LABEL		01
09	0503034003	SERIAL NUMBER TAG 61 X 118		01
10	0503010001	3.2 X 5.5 RIVET		04



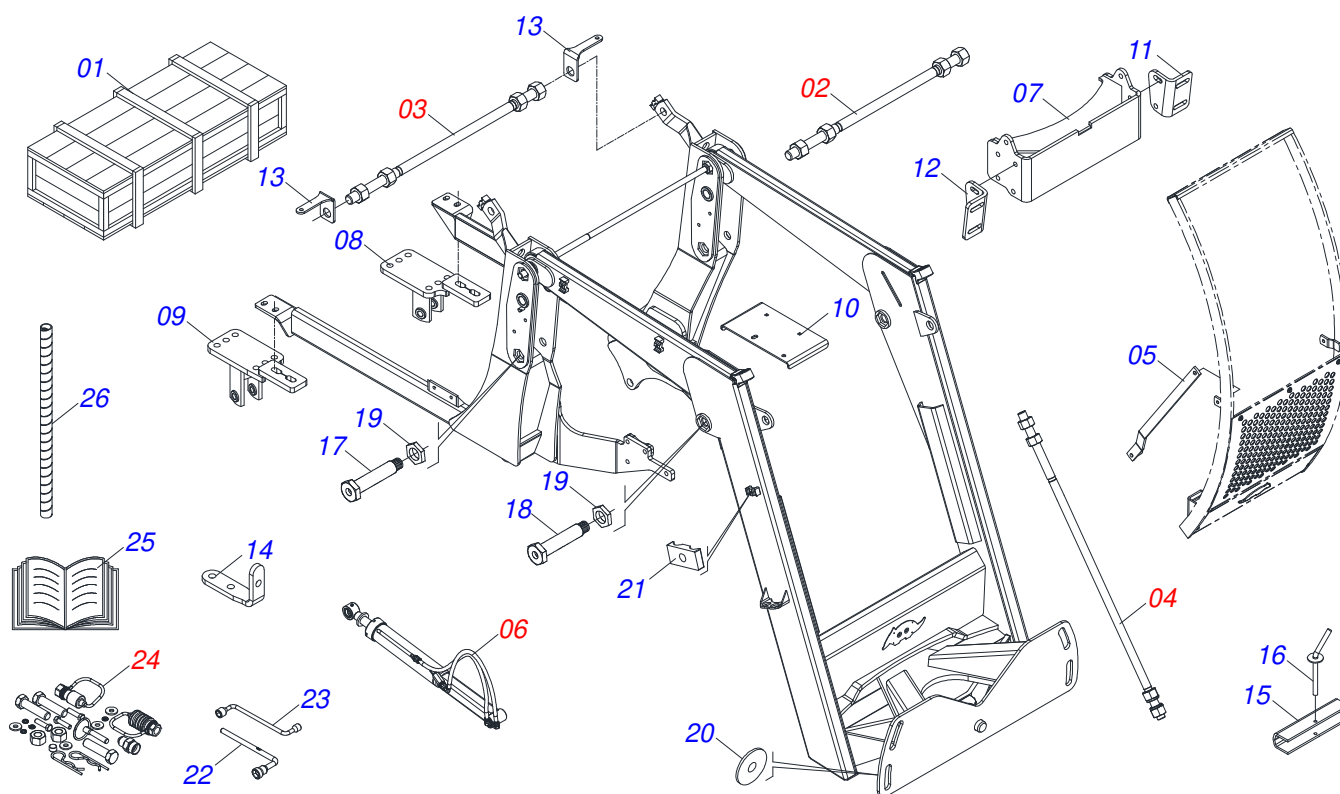
Item	Code	Description	See page	QT
01	0501014686	FRONT PROTECTION		01
02	0503010751	C3/8" X 1.1/4" HEX BOLT G.5		03
03	0501010984	FLAT WASHER		03
04	0503010026	3/8" NUT		03
05	0511061998	MOBILE SUPPORT GUIDE		01



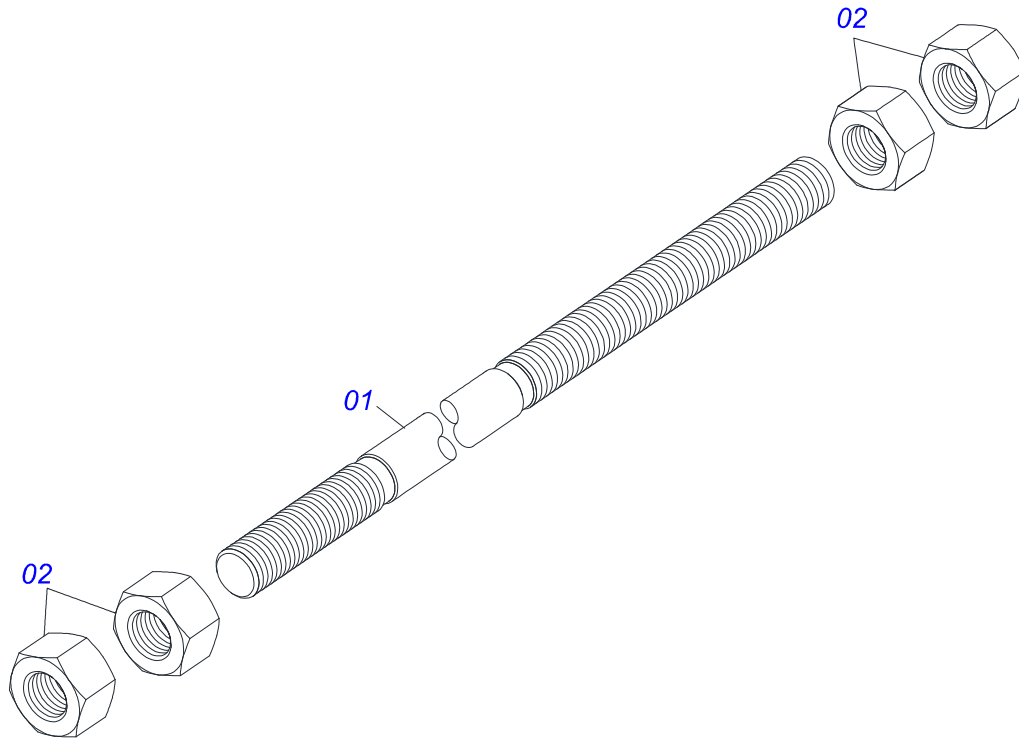
Item	Code	Description	See page	QT
01	0501047708	2400 BLADE SUPPORT	5	01
02	0501063411	ESTABILIZER BRACKET		02
03	0561016756	3/4 UNC X 3/4 UNC X 56 PRISONER		04
04	0501010322	FLAT WASHER		04
05	0503010014	3/4" NUT		04



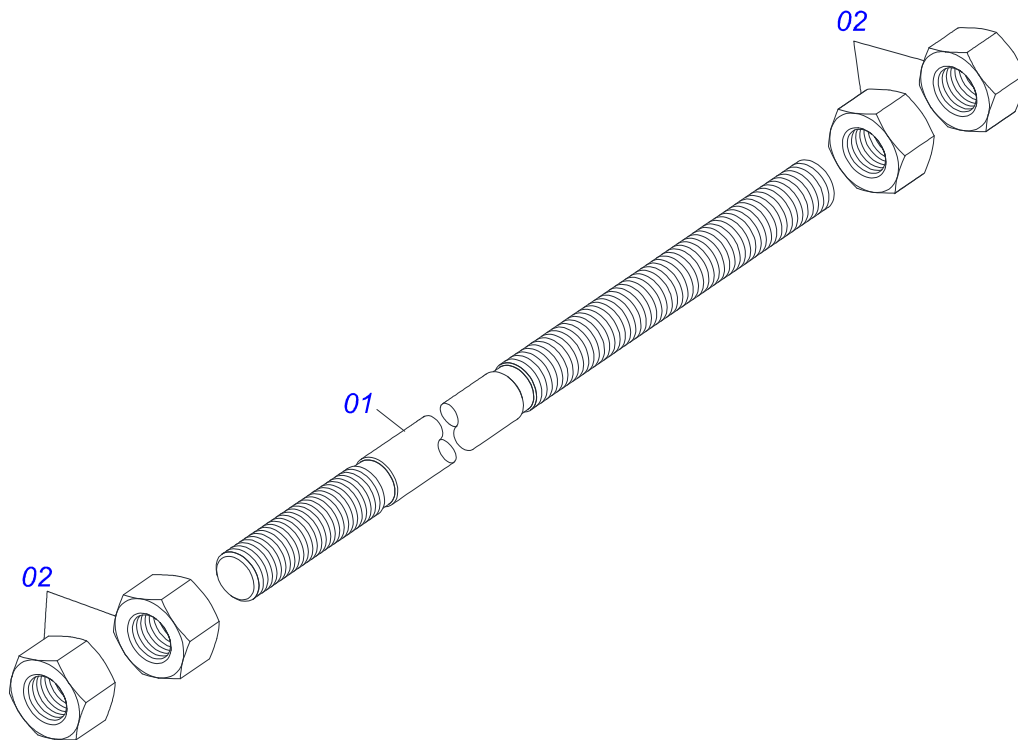
Item	Code	Description	See page	QT
01	0501067999	2390 BLADE SUPPORT		01
02	0622360016	94.5" SCRAPER REVERSIBLE		01
03	0501012240	BOLT		08
04	0501012140	FLAT WASHER		08
05	0503011445	SPRING WASHER		08
06	0503010013	5/8" NUT		08



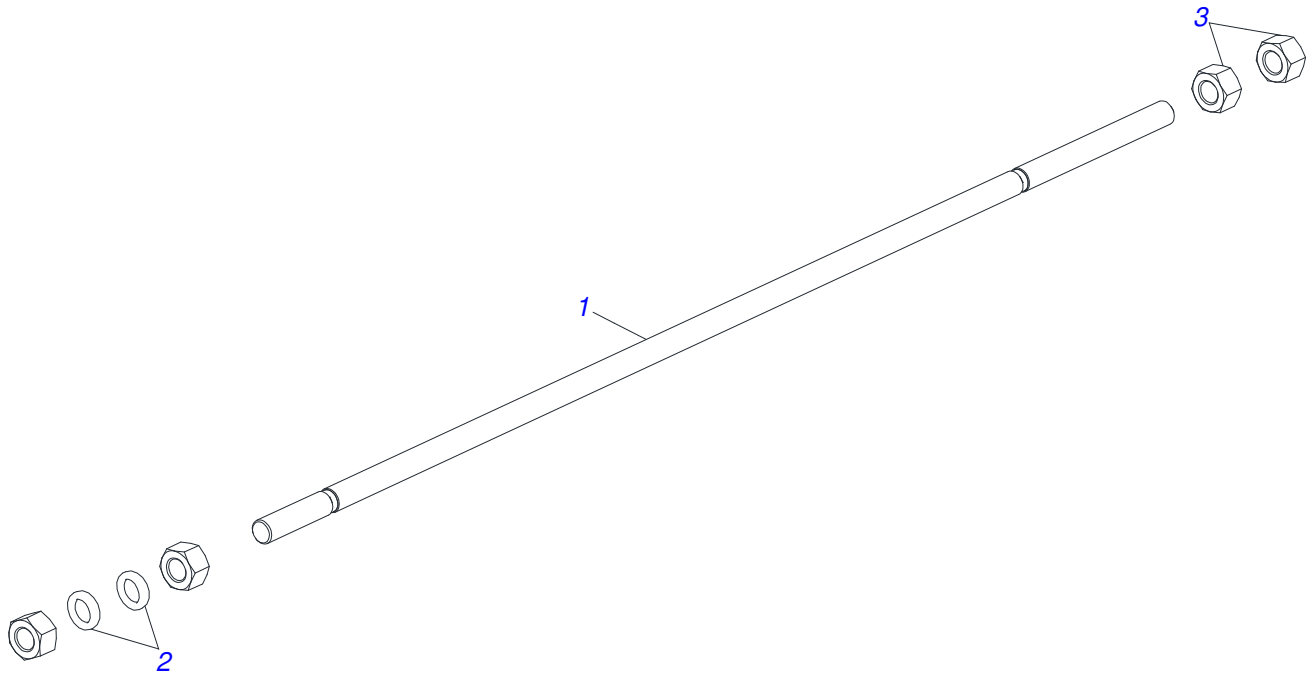
Item	Code	Description	See page	QT
01	0501100007	BOX WOOD 2150X400X440		01
02	0501042819	1.1/4"NC X 33.46" ROD ASSY	7	01
03	0511047399	1.1/4" X 40" ROD	8	01
04	0521047923	ROD	9	02
05	0591015520	GUIDE BAR		02
06	0909096377	HYDRAULIC CIRCUIT	10	01
07	0531061453	FIXER SUPPORT		01
08	0521063770	LEFT BRACKET		01
09	0531061202	DIFFERENTIAL RIGHT SHOE		01
10	0591015517	BASE FIXATION LADDER		01
11	0591015522	LEFT FIXER		01
12	0591015521	MOBILE SUPPORT GUIDE FIXER		01
13	0561010051	HEADLIGHT SUPPORT		02
14	0591015569	FIXER		01
15	0531017238	LOCK TRANSPORT		02
16	0501068994	8,30 X 78 LOCK PIN		02
17	0581013410	1.1/4" UNF X 155 BOLT		04
18	0581013378	GREASE SCREW		02
19	0581010243	WASHER HEX		06
20	0501010574	FLAT WASHER		04
21	1902010477	UPPER CLAMP BODY		05
22	0501061617	1" GANG BOLT WRENCH		01
23	0501068213	5/8" WRENCH DOUBLE		01
24	0511033919	PACKED PARTS	14	01
25	0511033668	BAG WITH INSTRUCTION MANUAL		01
26	0581010090	SPRING PROTECTION PLASTIC HOSE		02



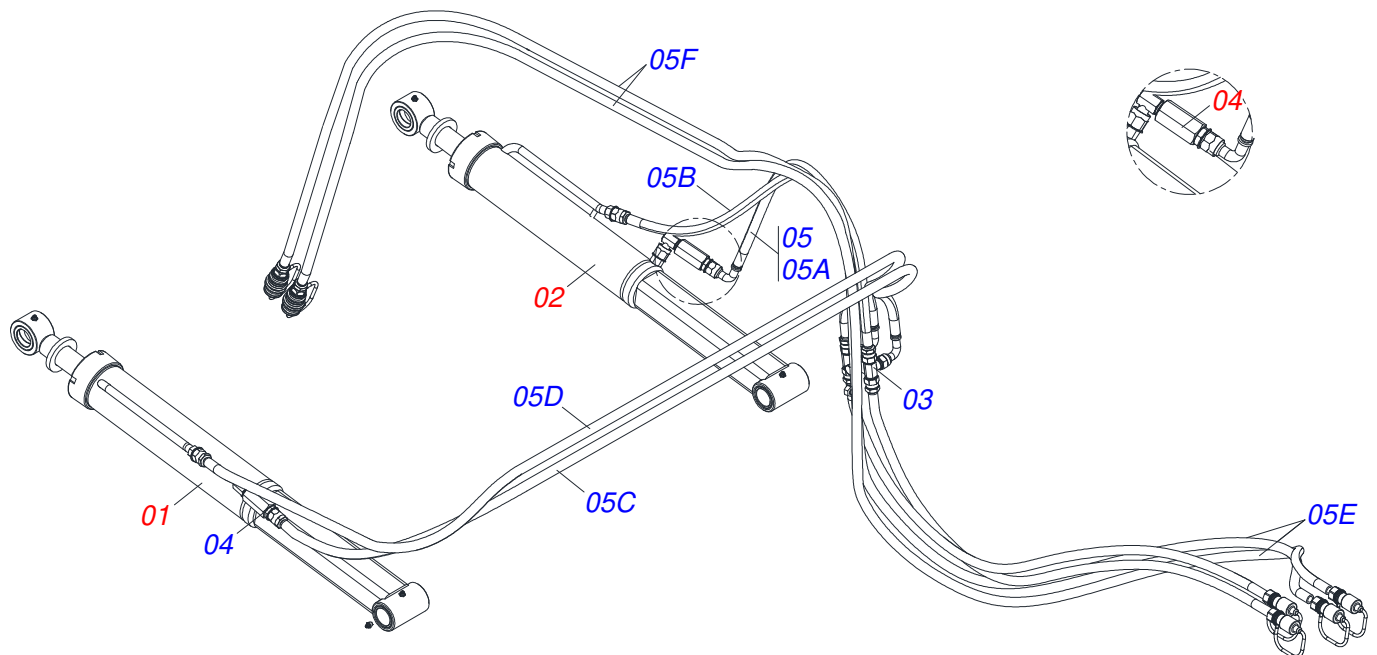
Item	Code	Description	See page	QT
01	0501018845	1.1/4" X 33.46" ROD		01
02	0501010087	1.1/4" NUT		04



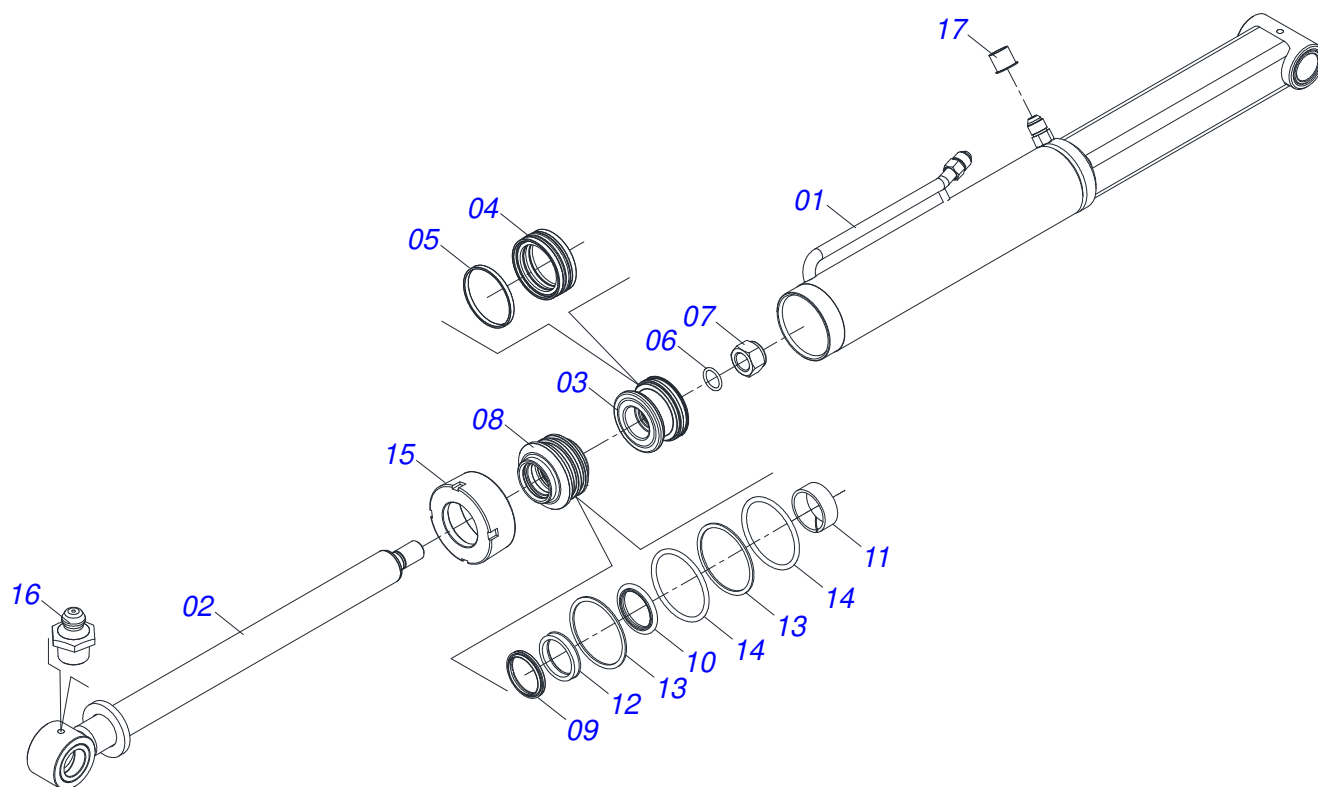
Item	Code	Description	See page	QT
01	0561010598	1.1/4 UNC 7FPP X 1140 ROD		01
02	0501010087	1.1/4" NUT		04



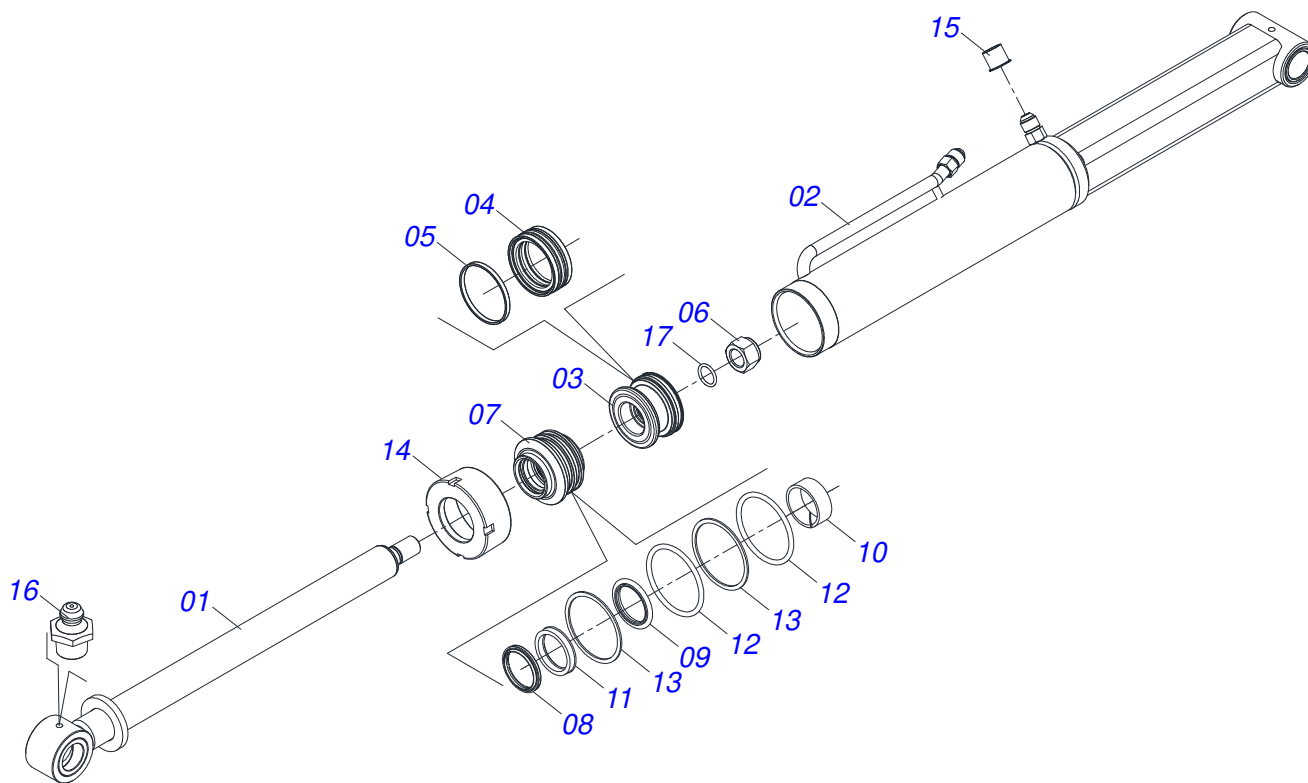
Item	Code	Description	See page	QT
01	0581016637	ROD		01
02	0502012180	CONICAL SPRING WASHER		02
03	0501010087	1.1/4" NUT		04



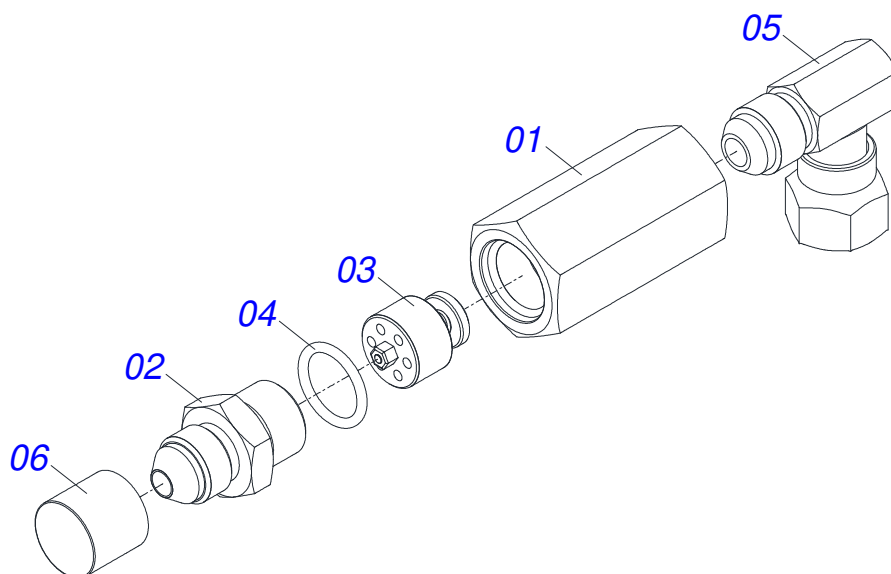
Item	Code	Description	See page	QT
01	0521049956	HIDRAULIC CYLINDER	11	01
02	0521049955	HIDRAULIC CYLINDER	12	01
03	0521064869	7/8UNF JIC OIL DISTRIBUTOR		01
04	0511057771	R.7/8UNF - SAFETY VALVE	13	02
05	0521059522	HOSE KIT		01
05A	0501080013	1/2 X 850 TR-TC HOSE		01
05B	0501080022	1/2" X 43" TR-TR HOSE ASSY		01
05C	0501080016	1/2 X 2800 TR-TC HOSE		01
05D	0501080269	1/2 X 3000 TR-TC HOSE ASSY		01
05E	0501081746	HOSE 1/2 X 3200 TR-TM		02
05F	0501080286	HOSE 1/2 X 6200 TR-TM		02



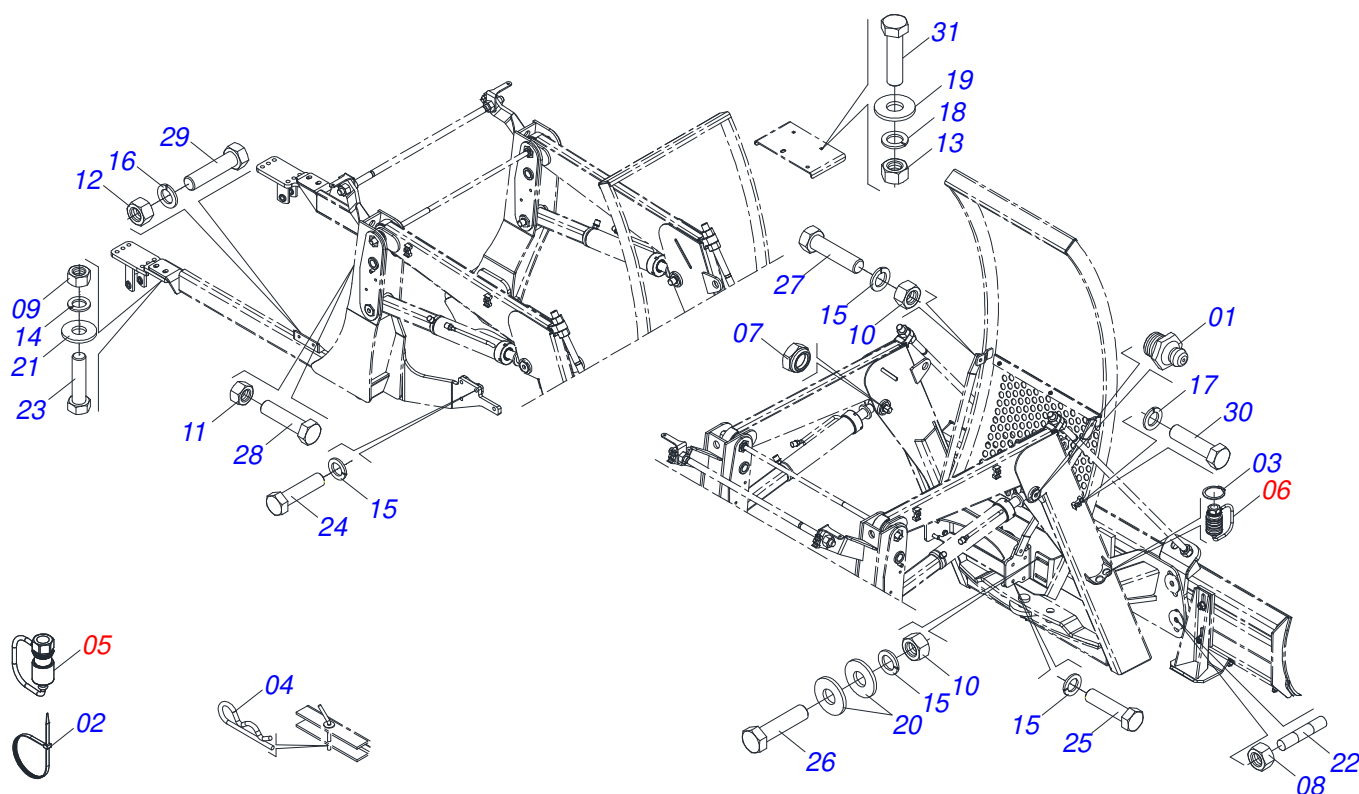
Item	Code	Description	See page	QT
01	0511071873	CASE BODY		01
02	0531060777	ROD		01
03	0571019710	1.7" X 3.4" PISTON		01
04	0503017935	RING		01
05	0503018144	RING		01
06	0503010042	2-214 N 3006-9B O'RING		01
07	0503010063	1" SELF-ALIGNING NUT		01
08	0571019711	RING SUPPORT		01
09	0503010761	D-1750 SCRAPER RING		01
10	0503017936	RING		01
11	0503017938	RING GUIDE		01
12	0503017937	GASKET		01
13	0503017940	8-337 BACK-UP RING		02
14	0503017939	2-337 N 3006-9B O' RING		02
15	0571019709	DETACHABLE COVER		01
16	0503010002	1800 GREASE FITTING		02
17	0503030387	PLUG		02



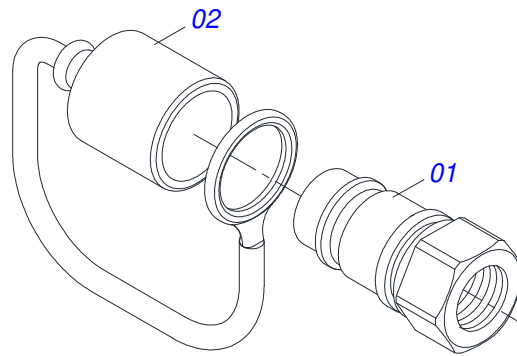
Item	Code	Description	See page	QT
01	0531060777	ROD		01
02	0511071829	CASE BODY		01
03	0571019710	1.7" X 3.4" PISTON		01
04	0503017935	RING		01
05	0503018144	RING		01
06	0503010063	1" SELF-ALIGNING NUT		01
07	0571019711	RING SUPPORT		01
08	0503010761	D-1750 SCRAPER RING		01
09	0503017936	RING		01
10	0503017938	RING GUIDE		01
11	0503017937	GASKET		01
12	0503017939	2-337 N 3006-9B O' RING		02
13	0503017940	8-337 BACK-UP RING		02
14	0571019709	DETACHABLE COVER		01
15	0503030387	PLUG		02
16	0503010002	1800 GREASE FITTING		02
17	0503010042	2-214 N 3006-9B O'RING		01



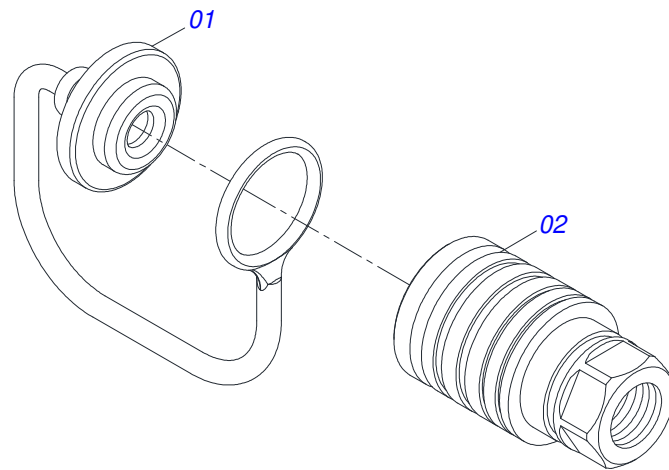
Item	Code	Description	See page	QT
01	0503018033	37 X R.7/8 UNF 90° JIC MALE CONNECTOR WITH ROTATING NUT		01
02	0581014053	1/2 BSP X 7/8 UNF JIC X 64 ADAPTER		01
03	0503016854	VALVE ASSY		01
04	0503010045	O'RING		01
05	0581014052	1/2 BSP X 7/8 UNF JIC X 43 NIPLE		01
06	0503030387	PLUG		01



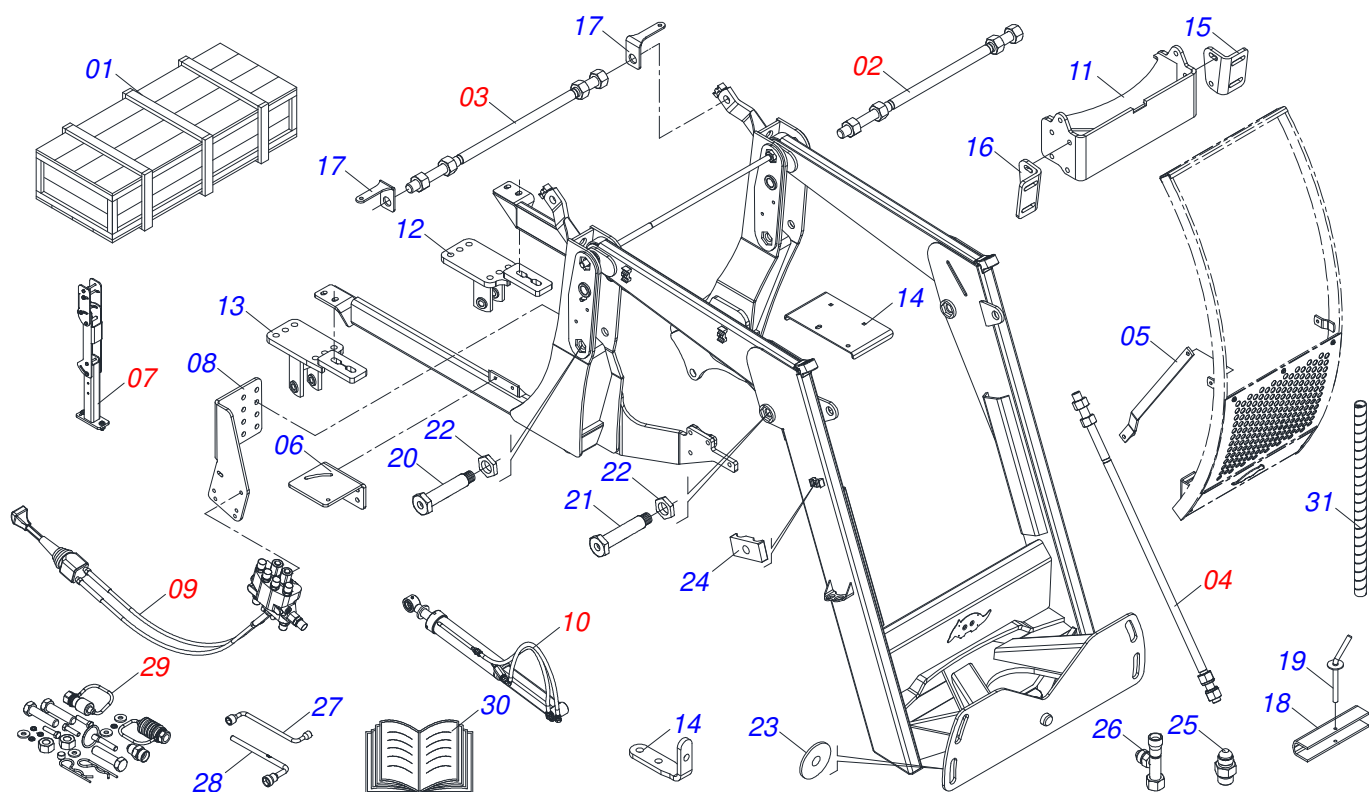
Item	Code	Description	See page	QT
01	0503010002	1800 GREASE FITTING		06
02	0503013527	CLAMP ZIPER		10
03	0503010217	501040 CLAMPING RING (FOR AXLE)		04
04	0503030168	HITCH PIN CLIP		02
05	0501053834	MALE QUICK COUPLER	15	04
06	0501053835	FEMALE QUICK COUPLER	16	02
07	0503010044	1-1/4" SELF LOCKING NUT		06
08	0501010059	1.5/8 NUT		04
09	0503010014	3/4" NUT		04
10	0503010013	5/8" NUT		12
11	0503011336	1/2" HEX SELF ADJUSTING NUT		02
12	0503010060	1/2" NUT		01
13	0503010026	3/8" NUT		02
14	0503010023	3/4" SPRING WASHER		04
15	0503010027	5/8" SPRING WASHER		24
16	0503010019	1/2" SPRING WASHER		01
17	0503010180	7/16" SPRING WASHER		05
18	0503010025	3/8" SPRING WASHER		02
19	0501011517	FLAT WASHER		02
20	0501012140	FLAT WASHER		10
21	0501010322	FLAT WASHER		08
22	0561016755	PRISONER 1 UNC X 1 UNC X 76 ZN		04
23	0501010827	3/4" X 2-3/4" BOLT		04
24	0503012573	M16 X 2 X 65 BOLT		08
25	0503011188	M16 X 2 X 50 BOLT		04
26	0503010899	5/8" X 2-1/4" BOLT		04
27	0501010100	SCREW 5/8 UNC X 2 CS G.5 ZN		08
28	0501010077	1/2" X 2" BOLT		02
29	0503010238	BOLT 1/2 UNC X 1.3/4 CS G.2 ZN		01
30	0503011135	BOLT		05
31	0501011643	3/8 X 1"BOLT		02



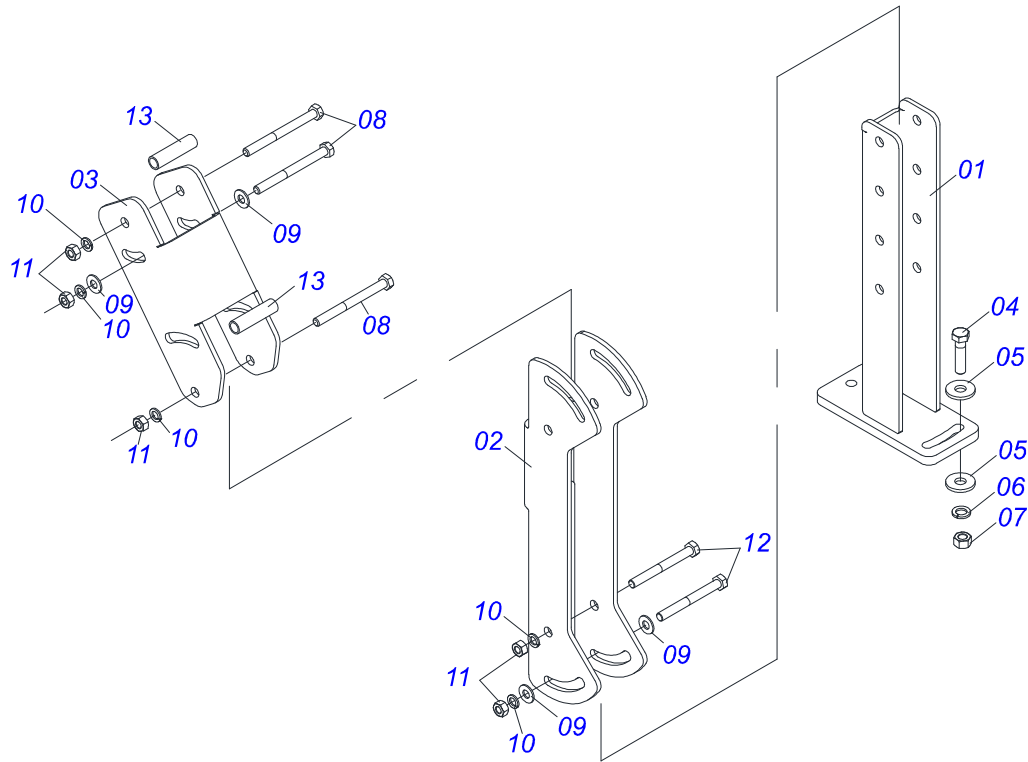
Item	Code	Description	See page	QT
01	0503011627	MALE QUICK COUPLER AGR 1/2 NPT		01
02	0503011882	MALE QUICK COUPLER CAP		01



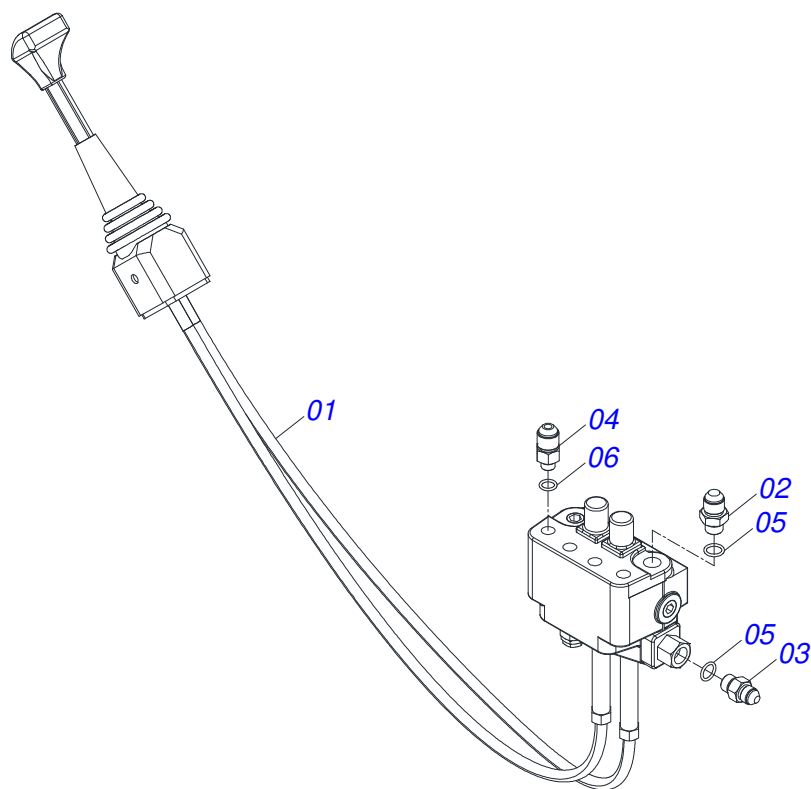
Item	Code	Description	See page	QT
01	0503011883	QUICK CONNECTION COVER		01
02	0503011628	FEMALE QUICK COUPLER		01



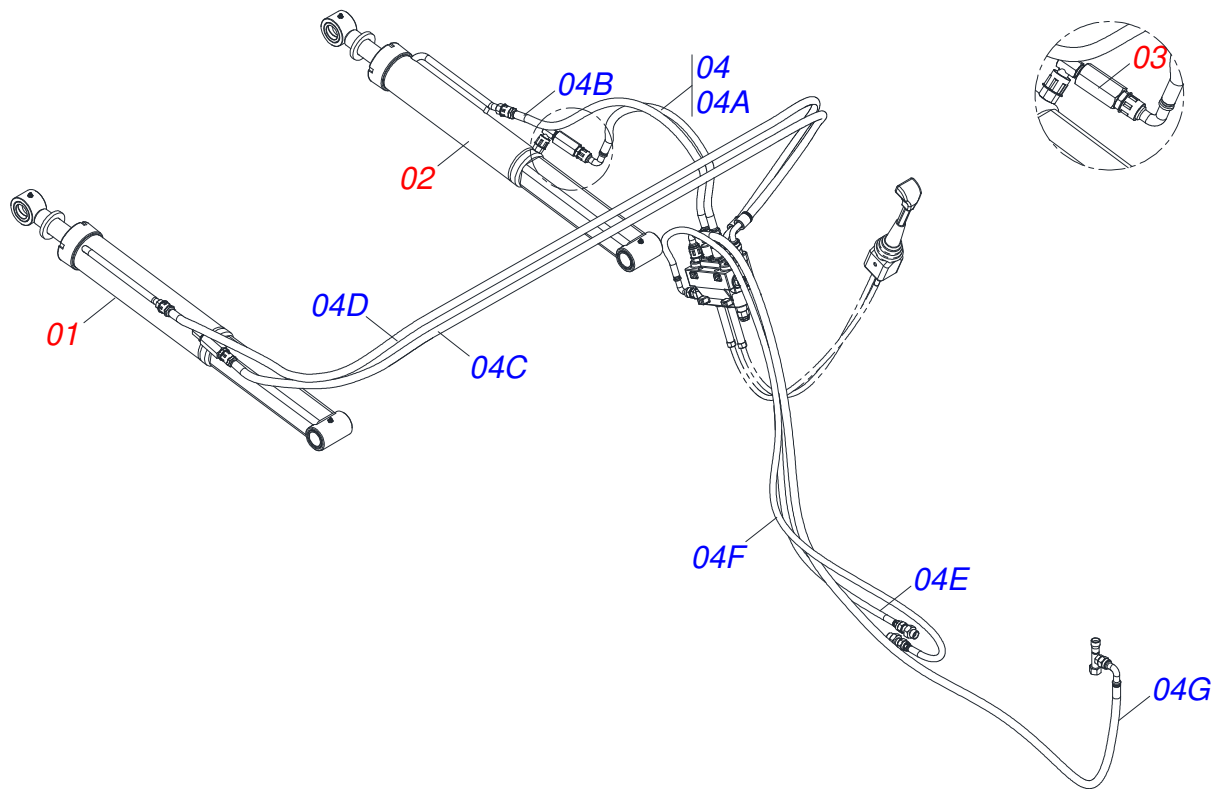
Item	Code	Description	See page	QT
01	0501100007	BOX WOOD 2150X400X440		01
02	0501042819	1.1/4"NC X 33.46" ROD ASSY	7	01
03	0511047399	1.1/4" X 40" ROD	8	01
04	0521047923	ROD	9	02
05	0591015520	GUIDE BAR		02
06	0531061454	FIXED BASE		01
07	0521045393	SET SUPPORT JOY STICK	18	01
08	0581014119	FIXER BASE		01
09	0521047176	COMMAND	19	01
10	0909096378	HYDRAULIC CIRCUIT	20	01
11	0531061453	FIXER SUPPORT		01
12	0521063770	LEFT BRACKET		01
13	0531061202	DIFFERENTIAL RIGHT SHOE		01
14	0591015517	BASE FIXATION LADDER		01
15	0591015522	LEFT FIXER		01
16	0591015521	MOBILE SUPPORT GUIDE FIXER		01
17	0561010051	HEADLIGHT SUPPORT		02
18	0531017238	LOCK TRANSPORT		02
19	0501068994	8,30 X 78 LOCK PIN		02
20	0581013410	1.1/4" UNF X 155 BOLT		04
21	0581013378	GREASE SCREW		02
22	0581010243	WASHER HEX		06
23	0501010574	FLAT WASHER		04
24	1902010477	UPPER CLAMP BODY		05
25	0591015515	NIPPLE FITTING		02
26	0531061452	ADAPTER		01
27	0501061617	1" GANG BOLT WRENCH		01
28	0501068213	5/8" WRENCH DOUBLE		01
29	0511033922	PACKED PARTS	21	01
30	0511033668	BAG WITH INSTRUCTION MANUAL		01
31	0581010090	SPRING PROTECTION PLASTIC HOSE		02



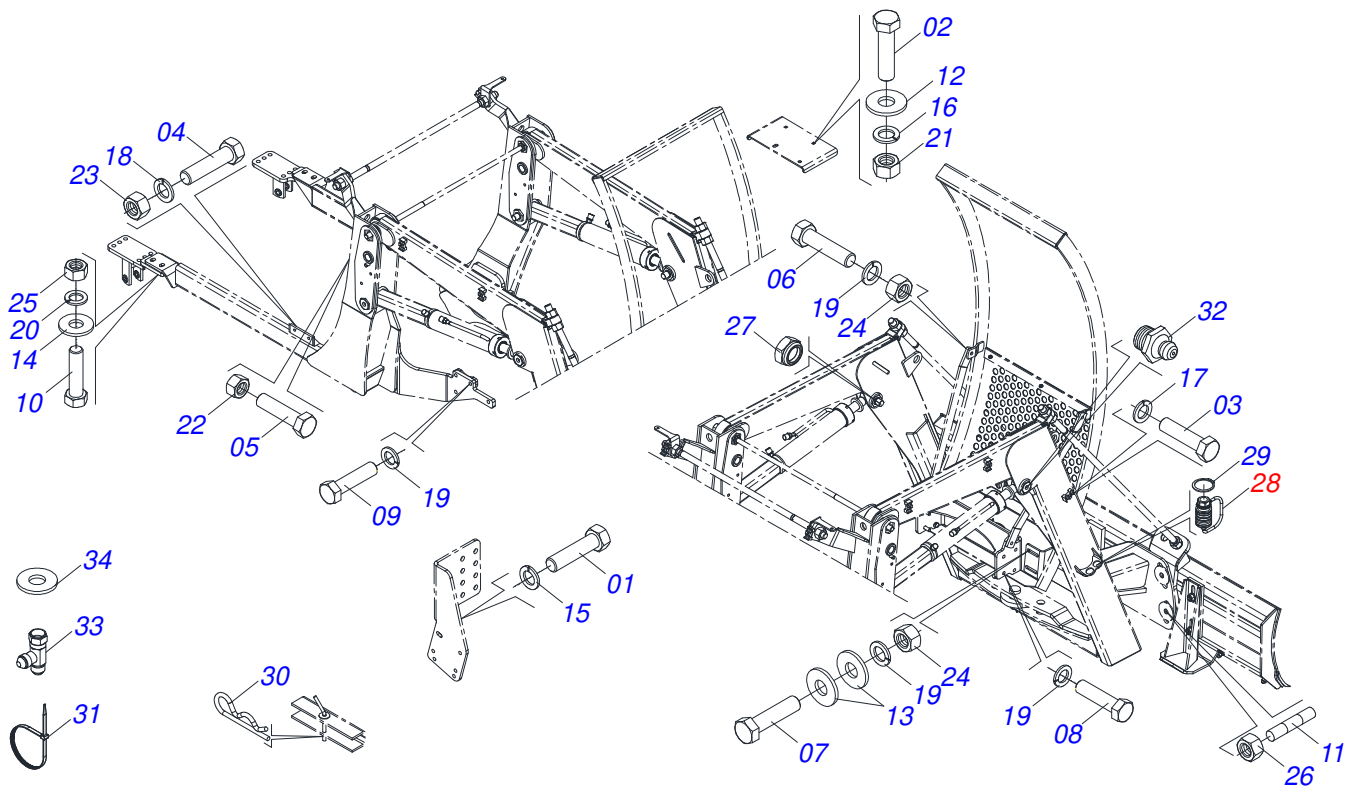
Item	Code	Description	See page	QT
01	0521065789	LOWER JOYSTICK SUPPORT		01
02	0571018376	CENTRAL BODY SUPPLEMENT OF JOYSTICK		01
03	0571018375	SUPERIOR BODY SUPPLEMENT OF JOYSTICK		01
04	0503010849	3/8" X 1-1/2" BOLT		02
05	0501010984	FLAT WASHER		02
06	0503010025	3/8" SPRING WASHER		02
07	0503010026	3/8" NUT		02
08	0503010848	5/16" X 3.1/2" BOLT		04
09	0501010694	FLAT WASHER		06
10	0503010179	LOCK WASHER		06
11	0503010337	5/16" NUT		06
12	0503011053	5/16" X 3" C S 6.5 ZN BOLT		02
13	0541015551	0.39" X 0.512" X 1.9" SLEEVE		02



Item	Code	Description	See page	QT
01	0503062412	COMPLETE JOYSTICK CONTROL		01
02	0501011460	7/8 NF REDUCTION NIPPLE		01
03	0501010617	3/4" NIPPLE		02
04	0581013379	R.7/8 X 9/16 X 50 (SEXT 22,23) NIPPLE		04
05	0503012905	2113 O'RING		03
06	0503013161	2-013 N 3006-9B O'RING		04



Item	Code	Description	See page	QT
01	0521049956	HIDRAULIC CYLINDER	11	01
02	0521049955	HIDRAULIC CYLINDER	12	01
03	0511057771	R.7/8UNF - SAFETY VALVE	13	02
04	0521059571	HOSE KIT		01
04A	0501080013	1/2 X 850 TR-TC HOSE		01
04B	0501080022	1/2" X 43" TR-TR HOSE ASSY		01
04C	0501080016	1/2 X 2800 TR-TC HOSE		01
04D	0501080269	1/2 X 3000 TR-TC HOSE ASSY		01
04E	0501080025	3/8 X 1400 TR-TC HOSE		01
04F	0501081802	3/8 X 1650 TR-TC HOSE		01
04G	0501081427	1/2 X 3200 HOSE TC-TC		01



Item	Code	Description	See page	QT
01	0503016506	5/16 UNC X 3/4 C S G.5 ZN BOLT		04
02	0501011643	3/8 X 1" BOLT		02
03	0503011135	BOLT		03
04	0503010238	BOLT 1/2 UNC X 1.3/4 CS G.2 ZN		02
05	0501010077	1/2" X 2" BOLT		02
06	0501010100	SCREW 5/8 UNC X 2 CS G.5 ZN		08
07	0503010899	5/8" X 2-1/4" BOLT		04
08	0503011188	M16 X 2 X 50 BOLT		04
09	0503012573	M16 X 2 X 65 BOLT		08
10	0501010827	3/4" X 2-3/4" BOLT		04
11	0561016755	PRISONER 1 UNC X 1 UNC X 76 ZN		04
12	0501011517	FLAT WASHER		02
13	0501012140	FLAT WASHER		10
14	0501010322	FLAT WASHER		08
15	0503010179	LOCK WASHER		04
16	0503010025	3/8" SPRING WASHER		02
17	0503010180	7/16" SPRING WASHER		03
18	0503010019	1/2" SPRING WASHER		02
19	0503010027	5/8" SPRING WASHER		24
20	0503010023	3/4" SPRING WASHER		04
21	0503010026	3/8" NUT		02
22	0503011336	1/2" HEX SELF ADJUSTING NUT		02
23	0503010060	1/2" NUT		02
24	0503010013	5/8" NUT		12
25	0503010014	3/4" NUT		04
26	0501010059	1.5/8 NUT		04
27	0503010044	1-1/4" SELF LOCKING NUT		06
28	0501053835	FEMALE QUICK COUPLER	16	02
29	0503010217	501040 CLAMPING RING (FOR AXLE)		04
30	0503030168	HITCH PIN CLIP		02
31	0503013527	CLAMP ZIPER		10



PD MF - S/A
PACKED PARTS

Page 21
0511033922

Item	Code	Description	See page	QT
32	0503010002	1800 GREASE FITTING		06
33	0503062177	7/8 (V.C) T-ADAPTER WITH NUT		02
34	0501010694	FLAT WASHER		01



MARCHESAN

Technical Publications | Elaboration and Revision

LORENA ROCHA ALVES

www.marchesan.com.br

