

**HINGE TYPE OFFSET DISK HARROW**

**GNH 48/52/56/60/64/68/72/76/80/84D - PA - 1.1/2"**

**SHAFT - PN 11L15**

**GNH 48/52/56/60/64/68/72/76/80/84D - PA - EIXO**

**1.1/2" - PN 11L15**

**Code:** 0501093271  
**Series:** S-0222  
**Revision:** 00  
**Revision Date:** OCTOBER/2024

# PARTS CATALOGUE



**MARCHESAN**



# PRODUCTS

Code	Working Width	Description
0102570187		GNH 48 X 20 X 3,50 MT DMO PA E 1.1/2 PN 11L15 S-0222
0102570188		GNH 48 X 20 X 4,50 MT DMO PA E 1.1/2 PN 11L15 S-0222
0102570189		GNH 48 X 22 X 3,50 MT DMO PA E 1.1/2 PN 11L15 S-0222
0102570190		GNH 48 X 22 X 4,50 MT DMO PA E 1.1/2 PN 11L15 S-0222
0102570191		GNH 48 X 24 X 4,50 MT DMO PA E 1.1/2 PN 11L15 S-0222
0102570177		GNH 52 X 20 X 3,50 MT DMO PA E 1.1/2 PN 11L15 S-0222
0102570178		GNH 52 X 20 X 4,50 MT DMO PA E 1.1/2 PN 11L15 S-0222
0102570179		GNH 52 X 22 X 3,50 MT DMO PA E 1.1/2 PN 11L15 S-0222
0102570180		GNH 52 X 22 X 4,50 MT DMO PA E 1.1/2 PN 11L15 S-0222
0102570181		GNH 52 X 24 X 4,50 MT DMO PA E 1.1/2 PN 11L15 S-0222
0102570167		GNH 56 X 20 X 3,50 MT DMO PA E 1.1/2 PN 11L15 S-0222
0102570168		GNH 56 X 20 X 4,50 MT DMO PA E 1.1/2 PN 11L15 S-0222
0102570169		GNH 56 X 22 X 3,50 MT DMO PA E 1.1/2 PN 11L15 S-0222
0102570102		GNH 56 X 22 X 4,50 DR DMO PA E 1.1/2 PN 11L15 S-0222
0102570170		GNH 56 X 22 X 4,50 MT DMO PA E 1.1/2 PN 11L15 S-0222
0102570171		GNH 56 X 24 X 4,50 MT DMO PA E 1.1/2 PN 11L15 S-0222
0102570113		GNH 56 X 24 X 4,75 MT DMO PA E 1.1/2 PN 11L15 S-0222
0102570157		GNH 60 X 20 X 3,50 MT DMO PA E 1.1/2 PN 11L15 S-0222
0102570158		GNH 60 X 20 X 4,50 MT DMO PA E 1.1/2 PN 11L15 S-0222
0102570159		GNH 60 X 22 X 3,50 MT DMO PA E 1.1/2 PN 11L15 S-0222
0102570160		GNH 60 X 22 X 4,50 MT DMO PA E 1.1/2 PN 11L15 S-0222
0102570147		GNH 64 X 20 X 3,50 MT DMO PA E 1.1/2 PN 11L15 S-0222
0102570148		GNH 64 X 20 X 4,50 MT DMO PA E 1.1/2 PN 11L15 S-0222
0102570149		GNH 64 X 22 X 3,50 MT DMO PA E 1.1/2 PN 11L15 S-0222
0102570150		GNH 64 X 22 X 4,50 MT DMO PA E 1.1/2 PN 11L15 S-0222
0102570151		GNH 64 X 24 X 4,50 MT DMO PA E 1.1/2 PN 11L15 S-0222
0102570137		GNH 68 X 20 X 3,50 MT DMO PA E 1.1/2 PN 11L15 S-0222
0102570138		GNH 68 X 20 X 4,50 MT DMO PA E 1.1/2 PN 11L15 S-0222
0102570139		GNH 68 X 22 X 3,50 MT DMO PA E 1.1/2 PN 11L15 S-0222
0102570140		GNH 68 X 22 X 4,50 MT DMO PA E 1.1/2 PN 11L15 S-0222

## ATTENTION: IMPORTANT

Marchesan S.A. reserves the right to improve and/or modify the technical features of its products, without obligation to do the same with those products already sold and without prior knowledge of the dealer or the customer. The photos are only illustrative.



# PRODUCTS

0102570141	GNH 68 X 24 X 4,50 MT DMO PA E 1.1/2 PN 11L15 S-0222
0102570127	GNH 72 X 20 X 3,50 MT DMO PA E 1.1/2 PN 11L15 S-0222
0102570128	GNH 72 X 20 X 4,50 MT DMO PA E 1.1/2 PN 11L15 S-0222
0102570129	GNH 72 X 22 X 3,50 MT DMO PA E 1.1/2 PN 11L15 S-0222
0102570130	GNH 72 X 22 X 4,50 MT DMO PA E 1.1/2 PN 11L15 S-0222
0102570131	GNH 72 X 24 X 4,50 MT DMO PA E 1.1/2 PN 11L15 S-0222
0102570176	GNH 76 X 20 X 3,50 MT DMO PA E 1.1/2 PN 11L15 S-0222
0102570175	GNH 76 X 20 X 4,50 MT DMO PA E 1.1/2 PN 11L15 S-0222
0102570174	GNH 76 X 22 X 3,50 MT DMO PA E 1.1/2 PN 11L15 S-0222
0102570173	GNH 76 X 22 X 4,50 MT DMO PA E 1.1/2 PN 11L15 S-0222
0102570101	GNH 76 X 24 X 4,50 DR DMO PA E 1.1/2 PN 11L15 S-0222
0102570172	GNH 76 X 24 X 4,50 MT DMO PA E 1.1/2 PN 11L15 S-0222
0102570117	GNH 80 X 20 X 3,50 MT DMO PA E 1.1/2 PN 11L15 S-0222
0102570118	GNH 80 X 20 X 4,50 MT DMO PA E 1.1/2 PN 11L15 S-0222
0102570119	GNH 80 X 22 X 3,50 MT DMO PA E 1.1/2 PN 11L15 S-0222
0102570120	GNH 80 X 22 X 4,50 MT DMO PA E 1.1/2 PN 11L15 S-0222
0102570121	GNH 80 X 24 X 4,50 MT DMO PA E 1.1/2 PN 11L15 S-0222
0102570106	GNH 84 X 20 X 3,50 MT DMO PA E 1.1/2 PN 11L15 S-0222
0102570107	GNH 84 X 20 X 4,50 MT DMO PA E 1.1/2 PN 11L15 S-0222
0102570108	GNH 84 X 22 X 3,50 MT DMO PA E 1.1/2 PN 11L15 S-0222
0102570109	GNH 84 X 22 X 4,50 MT DMO PA E 1.1/2 PN 11L15 S-0222
0102570110	GNH 84 X 24 X 4,50 MT DMO PA E 1.1/2 PN 11L15 S-0222

## ATTENTION: IMPORTANT

Marchesan S.A. reserves the right to improve and/or modify the technical features of its products, without obligation to do the same with those products already sold and without prior knowledge of the dealer or the customer. The photos are only illustrative.



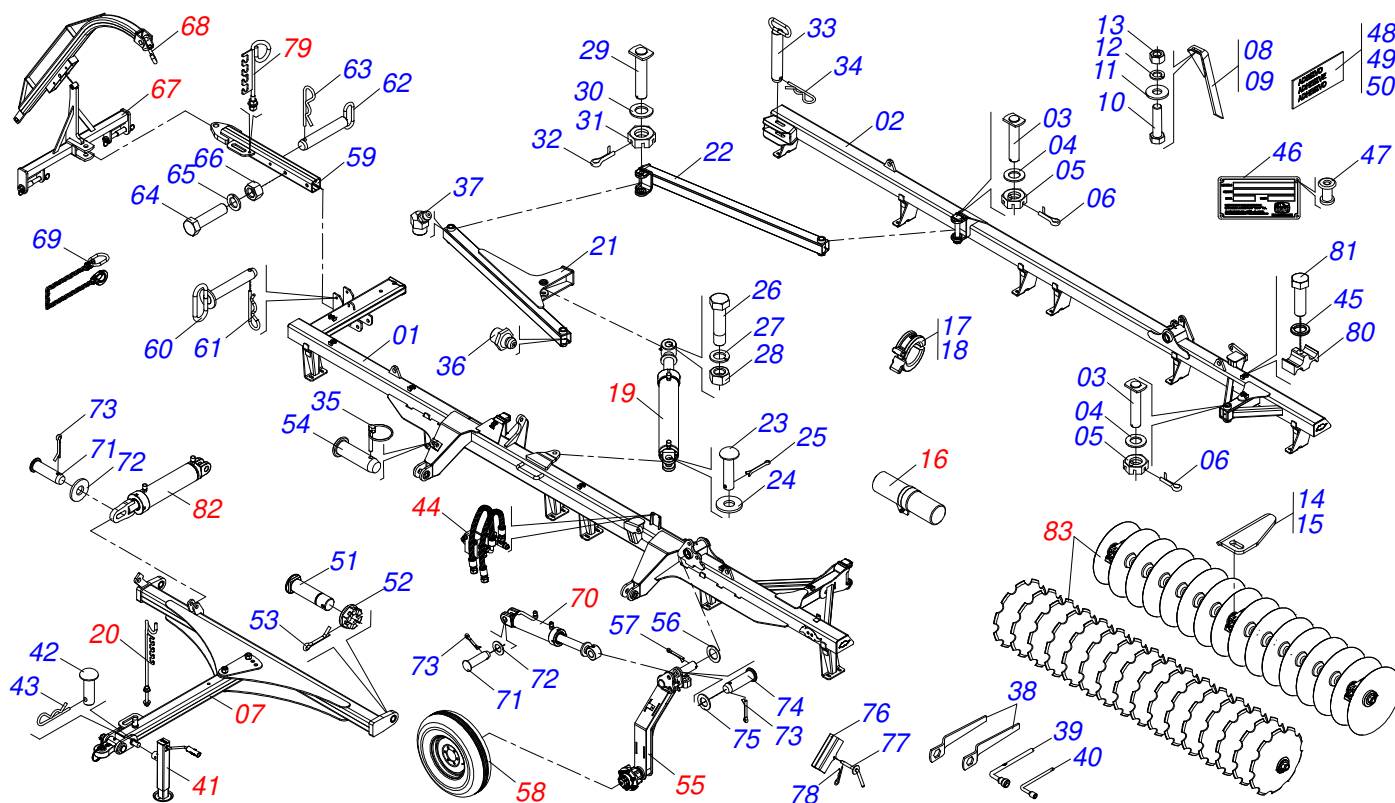
**MARCHESAN**

# INDEX

0909096316	FRAME ASSY	.....	1
0521049348	DRAWBAR ASSY	.....	2
0531040066	DRAWBAR ASSY	.....	3
0521042319	DRAWBAR ASSY	.....	4
0521048502	TRACTION BAR ASSY	.....	5
0521057520	HITCH ASSY	.....	6
0511058461	HYDRAULIC CYLINDER	.....	7
0531053865	INSTRUCTION MANUAL HOLDER	.....	8
0501040257	3/4" X 38" HOSE SUPPORT ASSY	.....	9
0503062157	DRAWBAR JACK	.....	10
0909096318	HYDRAULIC SET ASSY	.....	11
0521053412	HOSE KIT	.....	12
0521054451	HOSE KIT ASSY LIFT HYDRAULIC 48	.....	13
0521054455	HOSE KIT ASSY LIFT HYDRAULIC 52	.....	14
0521054453	HOSE KIT ASSY LIFT HYDRAULIC 56	.....	15
0521054450	HOSE KIT ASSY LIFT HYDRAULIC 60	.....	16
0521054452	HOSE KIT ASSY LIFT HYDRAULIC 64	.....	17
0521054449	HOSE KIT ASSY LIFT HYDRAULIC 68	.....	18
0521054447	HOSE KIT ASSY LIFT HYDRAULIC 72	.....	19
0521054458	HOSE KIT ASSY LIFT HYDRAULIC 76	.....	20
0521054457	HOSE KIT ASSY LIFT HYDRAULIC 80	.....	21
0521054456	HOSE KIT ASSY LIFT HYDRAULIC 84	.....	22
0501053834	MALE QUICK COUPLER	.....	23
0521048125	WHEELS ASSY	.....	24
0521052217	WHEEL HUB ASSY	.....	25
0503060181	WHEEL AND TIRE	.....	26
0501051142	CARRYING WHEEL HUB	.....	27
0501053527	DRAWBAR WITH HITCH SUPPORT	.....	28
0521042072	FRAME ASSY	.....	29
0521056810	1.75" X 3" X 15.94" X 6.69" HYDRAULIC CYLINDER	.....	30
0521052223	HOSE SUPPORT	.....	31
0521058302	1.75" X 3.37" X 23.62" X 10.43" HYDRAULIC CYLINDER	.....	32
0909096317	DISC GANG ASSY	.....	33
0521047187	AGRICULTURAL BEARING	.....	34
0521050840	SWIVEL OIL BATH BEARING 192,5 X 1.1/2	.....	35

FRAME ASSY

0909096316

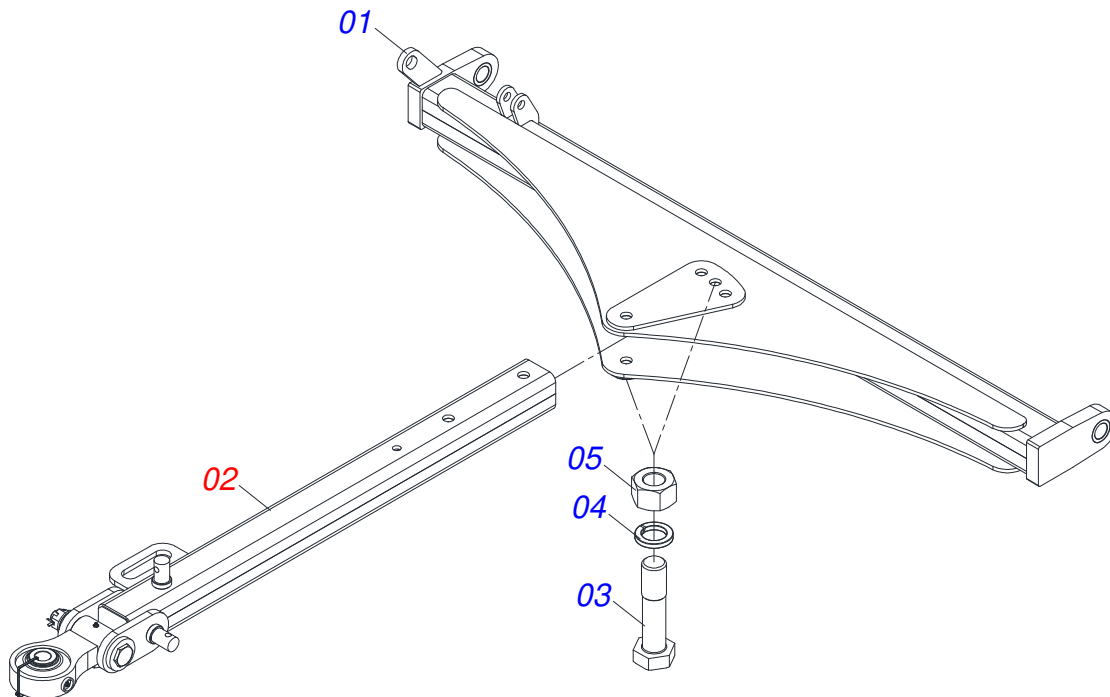


Item	Code	Description	See page	048	052	056	060	064	068	072	076	080	084
01	0531062001	FRONT FRAME		001	000	000	000	000	000	000	000	000	000
01.	0531062023	FRONT FRAME		000	001	000	000	000	000	000	000	000	000
01..	0531063406	FRONT FRAME		000	000	001	000	000	000	000	000	000	000
01...	0531062492	FRONT FRAME		000	000	000	001	000	000	000	000	000	000
01....	0531063365	FRONT FRAME		000	000	000	000	001	000	000	000	000	000
01.....	0531063369	FRONT FRAME		000	000	000	000	000	001	000	000	000	000
01.....	0531063373	FRONT FRAME		000	000	000	000	000	000	001	000	000	000
01.....	0531063377	FRONT FRAME		000	000	000	000	000	000	000	001	000	000
01.....	0531063381	FRONT FRAME		000	000	000	000	000	000	000	000	001	000
01.....	0531063385	FRONT FRAME		000	000	000	000	000	000	000	000	000	001
02	0531062019	REAR FRAME		001	000	000	000	000	000	000	000	000	000
02.	0531062035	REAR FRAME		000	001	000	000	000	000	000	000	000	000
02..	0531062489	REAR FRAME		000	000	001	000	000	000	000	000	000	000
02...	0531063362	REAR FRAME		000	000	000	001	000	000	000	000	000	000
02....	0531063367	REAR FRAME		000	000	000	000	001	000	000	000	000	000
02.....	0531063371	REAR FRAME		000	000	000	000	000	001	000	000	000	000
02.....	0531063375	REAR FRAME		000	000	000	000	000	000	001	000	000	000
02.....	0531063379	REAR FRAME		000	000	000	000	000	000	000	001	000	000
02.....	0531063383	REAR FRAME		000	000	000	000	000	000	000	000	001	000
02.....	0531063387	REAR FRAME		000	000	000	000	000	000	000	000	000	001
03	0531019497	1.5" X 9.2" ARTICULATED AXIS		003	003	003	003	003	003	003	003	003	003
04	0531019540	FLAT WASHER		003	003	003	003	003	003	003	003	003	003
05	0501011301	1.1/2" UNC 6FPP 2.5/16" NUT		003	003	003	003	003	003	003	003	003	003
06	0503010010	1/4" X 2.1/2" SPLIT PIN		003	003	003	003	003	003	003	003	003	003
07	0521049348	DRAWBAR ASSY	2	001	000	000	000	000	000	000	000	000	000
07.	0531040066	DRAWBAR ASSY	3	000	001	001	001	000	000	000	000	000	000
07..	0521042319	DRAWBAR ASSY	4	000	000	000	000	001	001	001	001	001	001
08	0501063963	FRONT SCRAPER		017	019	021	023	026	028	030	032	032	032
09	0501063962	REAR SCRAPER		017	019	021	023	026	028	030	032	032	032
10	0503011082	C1/2" X 1.3/4" SCREW		068	076	084	092	104	112	120	128	128	128
11	0511017302	FLAT WASHER 13,50 X 32,50 X 3,0 ZN		068	076	084	092	104	112	120	128	128	128
12	0503010019	1/2" SPRING WASHER		068	076	084	092	104	112	120	128	128	128





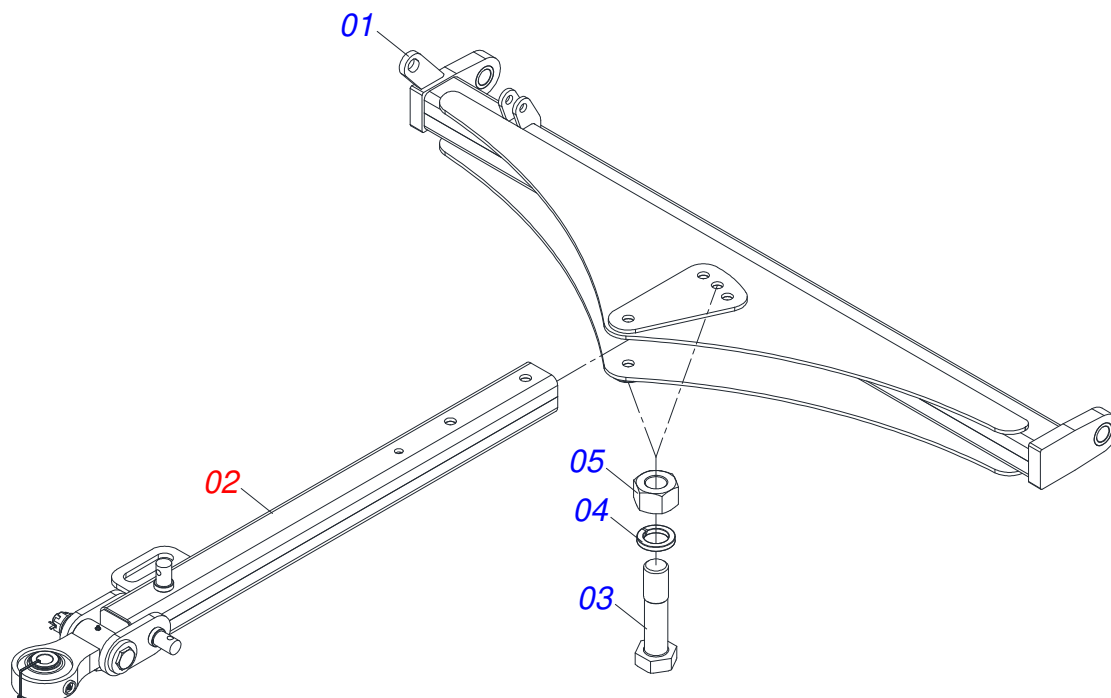
**DRAWBAR ASSY**



Item	Code	Description	See page	QT
01	0521069308	HITCH BAR (1976)		01
02	0521048502	TRACTION BAR ASSY	5	01
03	0501010334	1" X 7" BOLT		02
04	0503011438	SPRING WASHER		02
05	0501010059	1.5/8 NUT		02

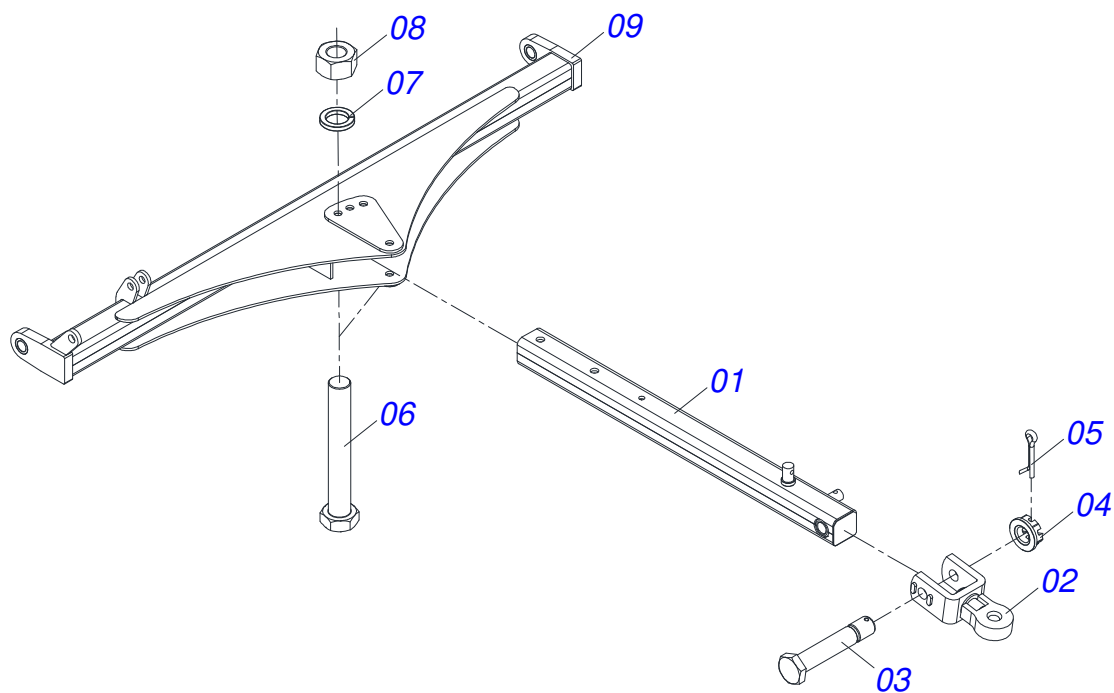


DRAWBAR ASSY



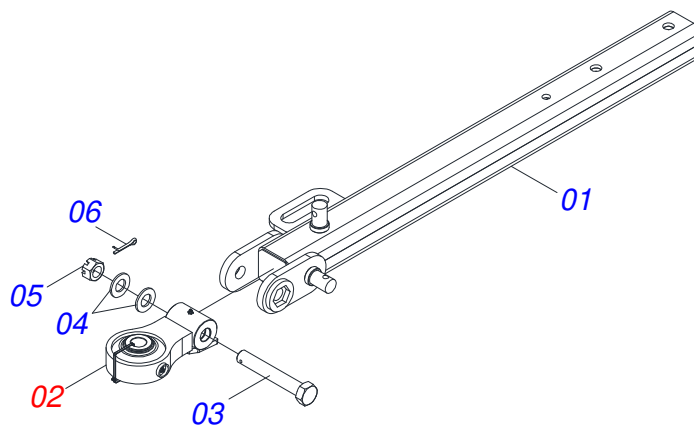
Item	Code	Description	See page	QT
01	0531062335	CONNECTION BAR 2370 X 683.5		01
02	0521048502	TRACTION BAR ASSY	5	01
03	0501010334	1" X 7" BOLT		02
04	0503010012	1" SPRING WASHER		02
05	0501010059	1.5/8 NUT		02

DRAWBAR ASSY



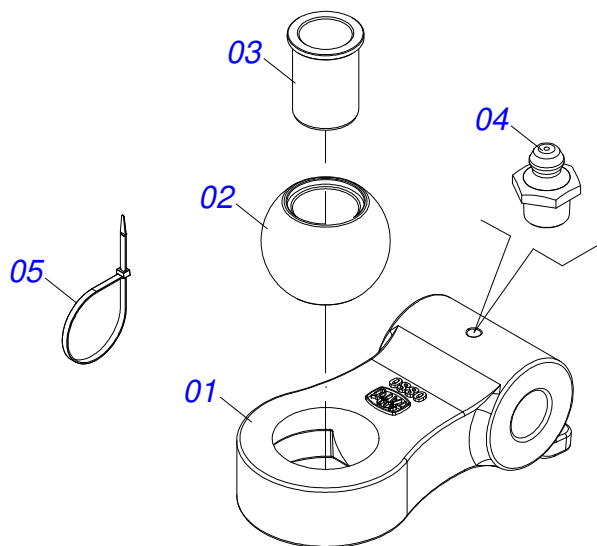
Item	Code	Description	See page	QT
01	0501066715	DRAWBAR		01
02	0501062869	TRACTOR HITCH		01
03	0501017291	1-1/2" X 8.1" BOLT		01
04	0501011301	1.1/2" UNC 6FPP 2.5/16" NUT		01
05	0503010010	1/4" X 2.1/2" SPLIT PIN		01
06	0501010334	1" X 7" BOLT		02
07	0503011438	SPRING WASHER		02
08	0501010059	1.5/8 NUT		02
09	0521064097	OFFSET BAR		01

TRACTION BAR ASSY



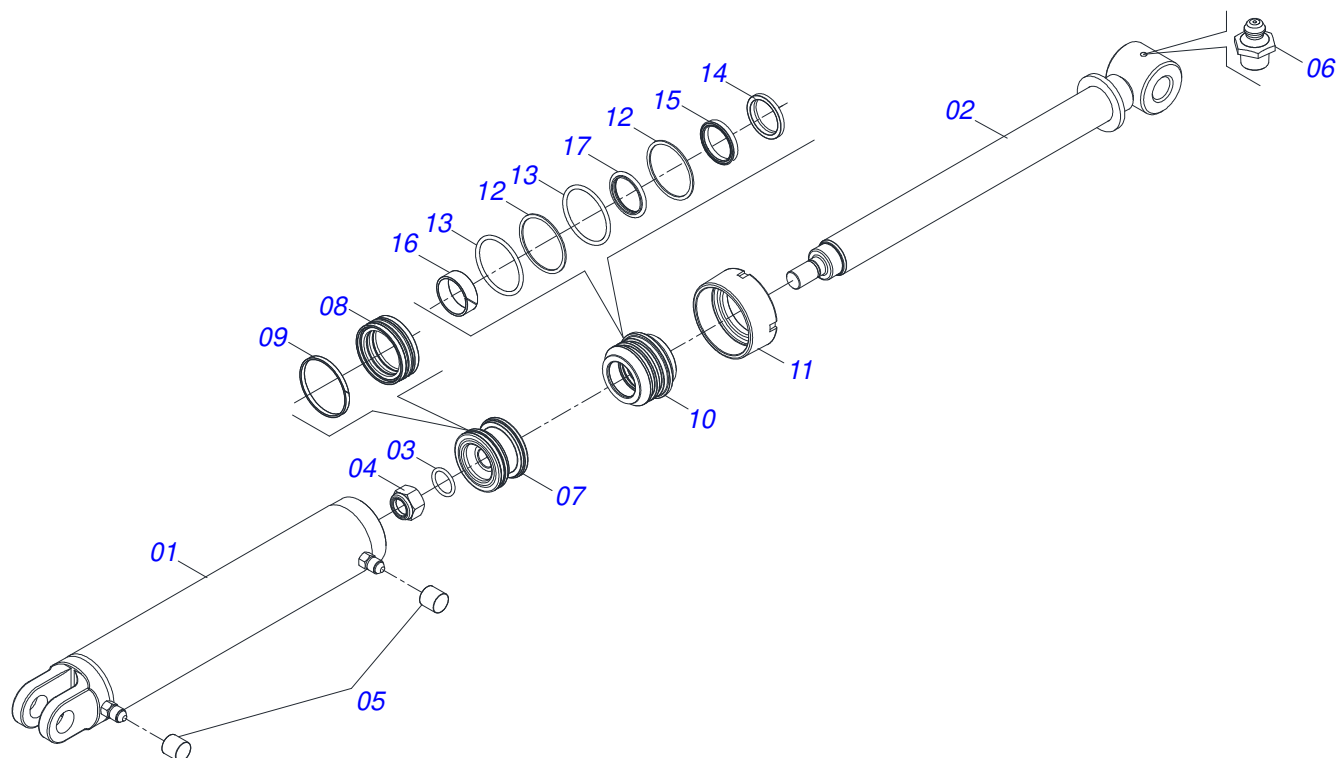
Item	Code	Description	See page	QT
01	0521069165	DRAWBAR		01
02	0521057520	HITCH ASSY	6	01
03	0581015973	1.1/4 UNC X 8 C S G5 SCREW		01
04	0501017779	FLAT WASHER 32 X 60 X 4,75		02
05	0503013026	1.1/4" CASTLE NUT		01
06	0503010010	1/4" X 2.1/2" SPLIT PIN		01

HITCH ASSY

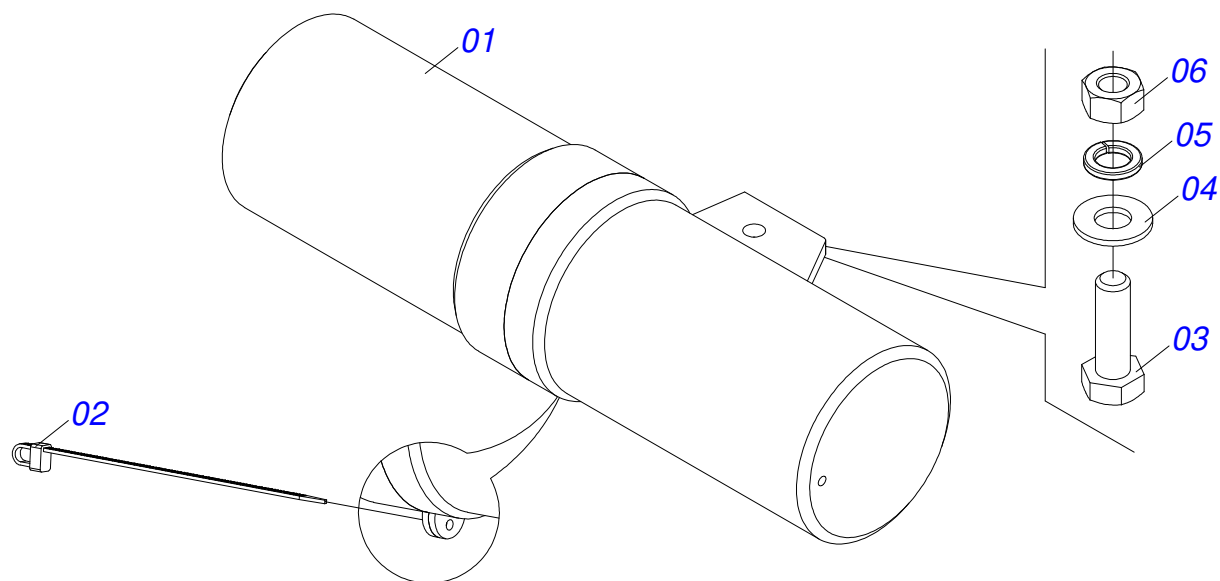


Item	Code	Description	See page	QT
01	0502040880	HITCH BODY		01
02	0502040885	BODY ATTACHMENT		01
03	0591012511	SLEEVE		01
04	0503010002	1800 GREASE FITTING		01
05	0503018829	NYLON CLAMP 7,8 X 1,8 X 390 MM		01

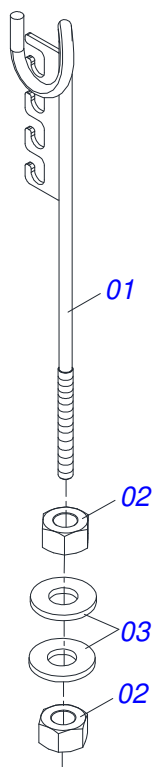
HYDRAULIC CYLINDER



Item	Code	Description	See page	QT
01	0521063982	CYLINDER CASE		01
02	0521067533	50,80 X 697 EXTENSOR		01
03	0503010042	2-214 N 3006-9B O'RING		01
04	0503010063	1" SELF-ALIGNING NUT		01
05	0503030385	CYLINDER PLUG N-002		02
06	0503010002	1800 GREASE FITTING		01
07	0571019710	1.7" X 3.4" PISTON		01
08	0503017935	RING		01
09	0503018144	RING		01
10	0581013228	50,80 X 85,72 SUPPORT RINGS		01
11	0581013227	85,72 MOVE COVER		01
12	0503017940	8-337 BACK-UP RING		02
13	0503017939	2-337 N 3006-9B O' RING		02
14	0503010039	D-2000 SCRAPER RING		01
15	0503018026	GASKET 1870-2000-375 B POLYMAX		01
16	0503018025	RING GUIDE W2-2250-750		01
17	0503018024	RING BS OD050805200171D-BR		01



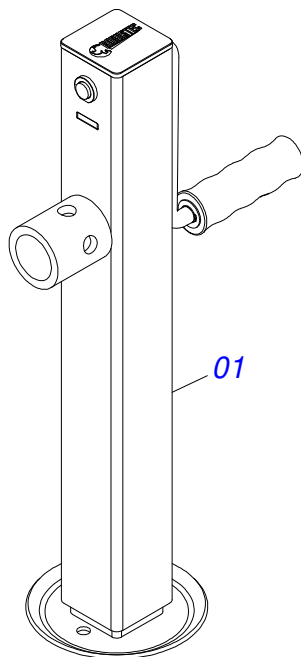
Item	Code	Description	See page	QT
01	0503060100	SUPPORT INSTRUCTION MANUAL		01
02	0503010267	NYLON CLAMP 3,60 X 1,3 X 155 MM		01
03	0503010363	BOLT 5/16 UNC X 1 C S G.2 ZN		01
04	0501010694	FLAT WASHER 8,50 X 18 X 1,50 ZN		01
05	0503010179	LOCK WASHER 5/16 ZN 1K01528		01
06	0503010337	NUT 5/16 UNC G.5 ZN		01



Item	Code	Description	See page	QT
01	0511067334	HOSE SUPPORT		01
02	0503010014	3/4" ZN G.5 (HEAVY) UNC HEX NUT		02
03	0501010322	20,50 X 46 X 4,00 ZN FLAT WASHER		02

DRAWBAR JACK

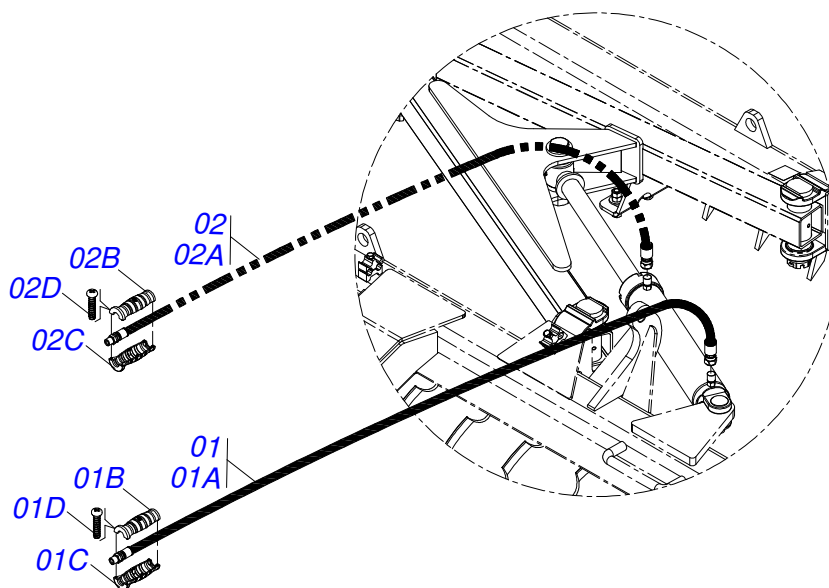
0503062157



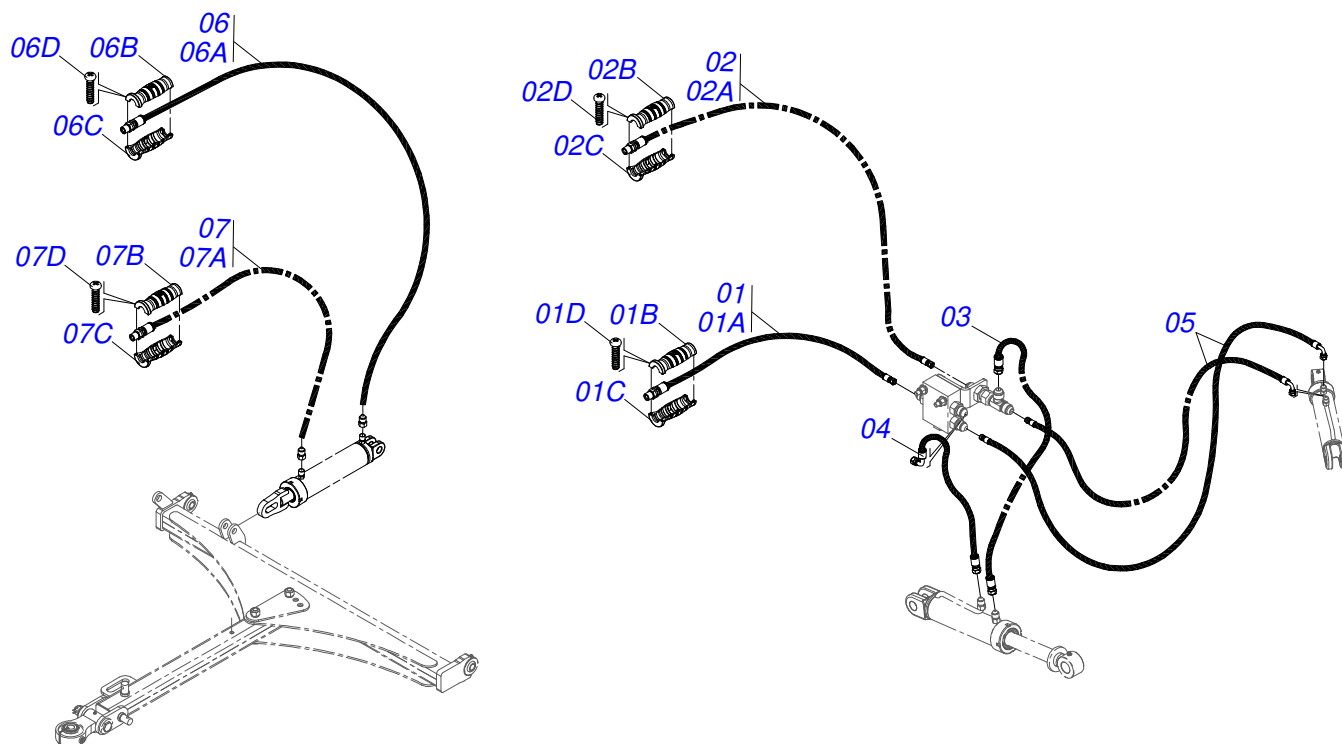
Item	Code	Description	See page	QT
01	0503062157	DRAWBAR JACK	10	01



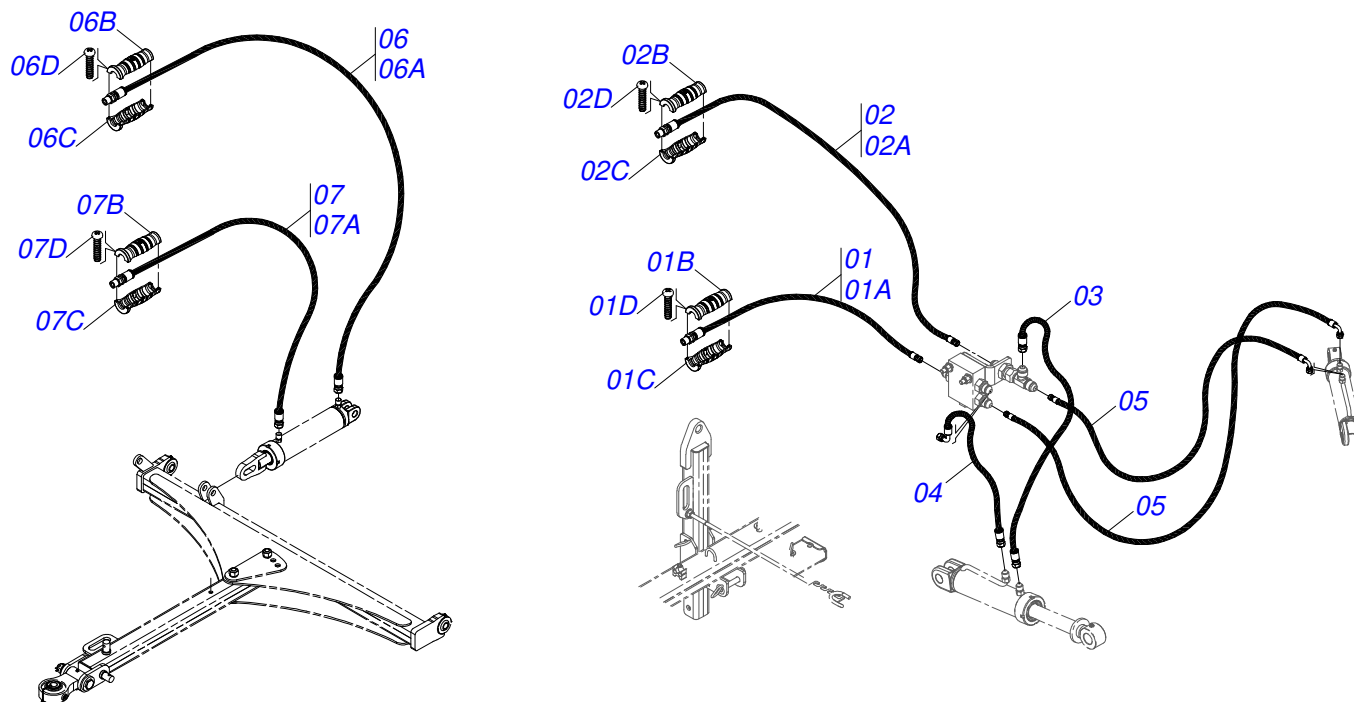




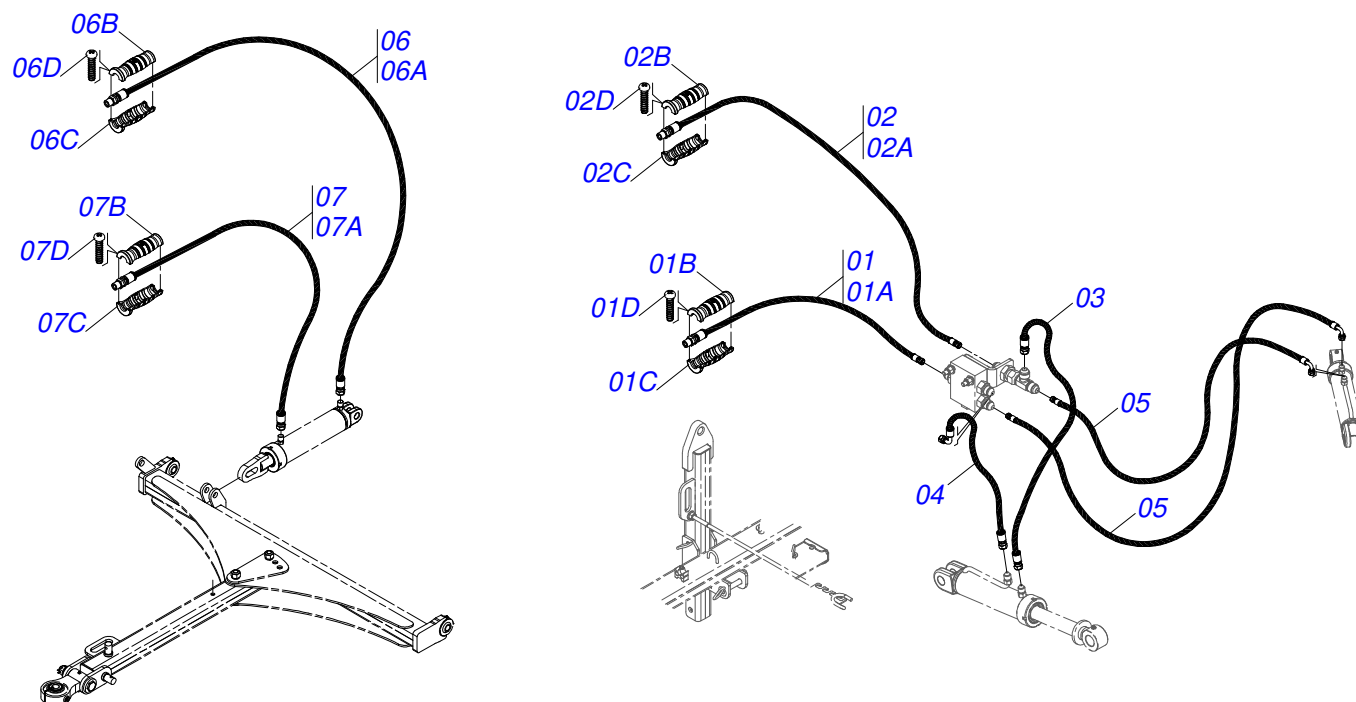
Item	Code	Description	See page	QT
01	0521053413	3/8" X 177.20" TC-TM PURPLE/RED HOSE		01
01A	0501080362	3/8" X 177.20" TC-TM HOSE		01
01B	0503034491	HYDRAULIC HOSE GRIP (PURPLE)		01
01C	0503034495	HYDRAULIC HOSE GRIP (RED)		01
01D	0503018952	PH 2,5 X 10 ZB PLASTIC BOLT		06
02	0521053414	3/8" X 177.20" TC-TM HOSE PURPLE/BLUE		01
02A	0501080362	3/8" X 177.20" TC-TM HOSE		01
02B	0503034491	HYDRAULIC HOSE GRIP (PURPLE)		01
02C	0503034494	HYDRAULIC HOSE GRIP (BLUE)		01
02D	0503018952	PH 2,5 X 10 ZB PLASTIC BOLT		06



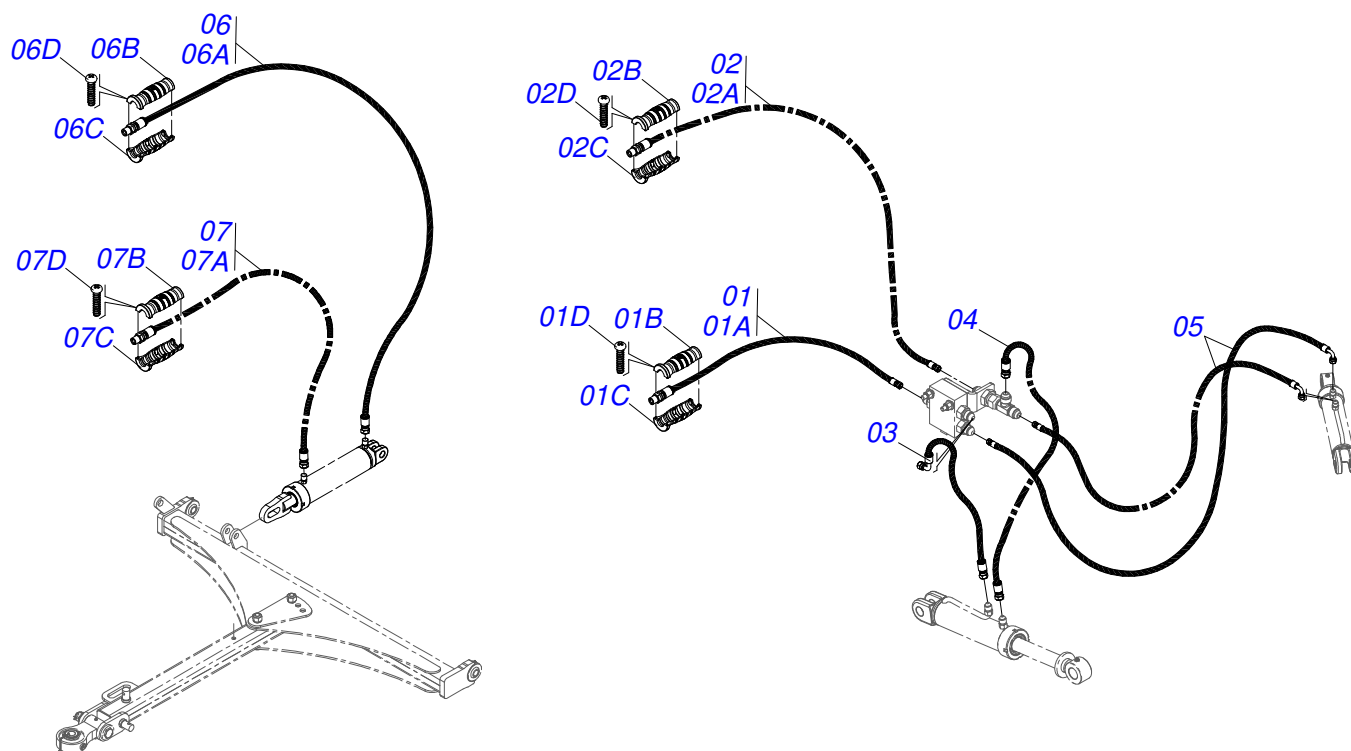
Item	Code	Description	See page	QT
01	0521053168	3/8" X 240.90" TR-TM BLACK/RED HOSE		01
01A	0501082196	3/8" X 240.90" TR-TM HOSE		01
01B	0503034495	HYDRAULIC HOSE GRIP (RED)		01
01C	0503034492	HYDRAULIC HOSE GRIP (BLACK)		01
01D	0503018952	PH 2,5 X 10 ZB PLASTIC BOLT		06
02	0521053169	3/8" X 240.90" TR-TM HOSE BLACK/AZUL		01
02A	0501082196	3/8" X 240.90" TR-TM HOSE		01
02B	0503034492	HYDRAULIC HOSE GRIP (BLACK)		01
02C	0503034494	HYDRAULIC HOSE GRIP (BLUE)		01
02D	0503018952	PH 2,5 X 10 ZB PLASTIC BOLT		06
03	0501080406	3/8" X 23" TR-TC HOSE		01
04	0501080460	3/8" X 23" TR-TR HOSE		01
05	0501082195	3/8" X 102" TR-TC HOSE		02
06	0531050513	3/8" X 177" TR-TM GREEN/RED HOSE		01
06A	0501080363	3/8" X 177" TR-TM HOSE		01
06B	0503034495	HYDRAULIC HOSE GRIP (RED)		01
06C	0503034497	HYDRAULIC HOSE GRIP (GREEN)		01
06D	0503018952	PH 2,5 X 10 ZB PLASTIC BOLT		06
07	0531050512	3/8" X 177" TR-TM GREEN/BLUE HOSE		01
07A	0501080363	3/8" X 177" TR-TM HOSE		01
07B	0503034494	HYDRAULIC HOSE GRIP (BLUE)		01
07C	0503034497	HYDRAULIC HOSE GRIP (GREEN)		01
07D	0503018952	PH 2,5 X 10 ZB PLASTIC BOLT		06



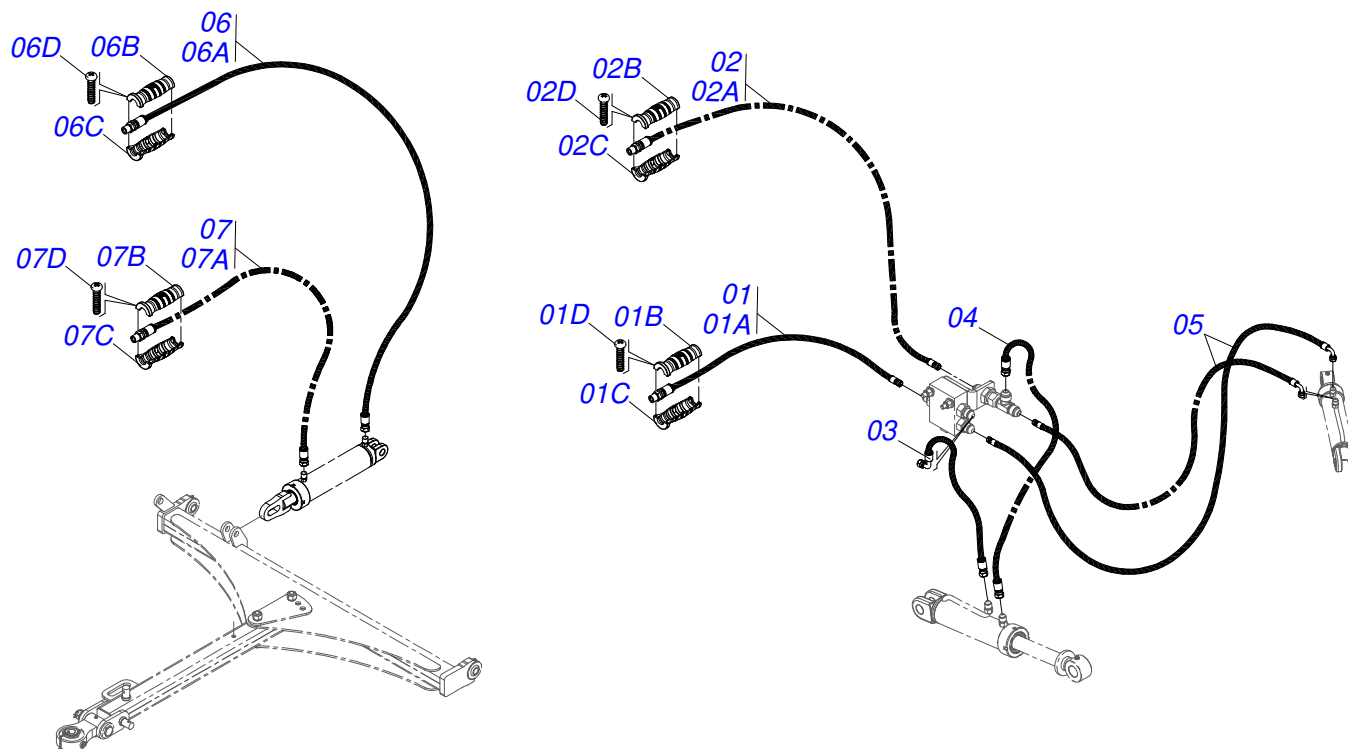
Item	Code	Description	See page	QT
01	0521053271	3/8" X 255.90" TR-TM BLACK/RED HOSE		01
01A	0501082200	3/8" X 255.90" TR-TM HOSE		01
01B	0503034495	HYDRAULIC HOSE GRIP (RED)		01
01C	0503034492	HYDRAULIC HOSE GRIP (BLACK)		01
01D	0503018952	PH 2,5 X 10 ZB PLASTIC BOLT		06
02	0521053270	3/8" X 255.90" TR-TM BLACK/BLUE HOSE		01
02A	0501082200	3/8" X 255.90" TR-TM HOSE		01
02B	0503034492	HYDRAULIC HOSE GRIP (BLACK)		01
02C	0503034494	HYDRAULIC HOSE GRIP (BLUE)		01
02D	0503018952	PH 2,5 X 10 ZB PLASTIC BOLT		06
03	0501080406	3/8" X 23" TR-TC HOSE		01
04	0501080460	3/8" X 23" TR-TR HOSE		01
05	0501082199	3/8" X 94" TR-TC HOSE		02
06	0531050513	3/8" X 177" TR-TM GREEN/RED HOSE		01
06A	0501080363	3/8" X 177" TR-TM HOSE		01
06B	0503034495	HYDRAULIC HOSE GRIP (RED)		01
06C	0503034497	HYDRAULIC HOSE GRIP (GREEN)		01
06D	0503018952	PH 2,5 X 10 ZB PLASTIC BOLT		06
07	0531050512	3/8" X 177" TR-TM GREEN/BLUE HOSE		01
07A	0501080363	3/8" X 177" TR-TM HOSE		01
07B	0503034494	HYDRAULIC HOSE GRIP (BLUE)		01
07C	0503034497	HYDRAULIC HOSE GRIP (GREEN)		01
07D	0503018952	PH 2,5 X 10 ZB PLASTIC BOLT		06



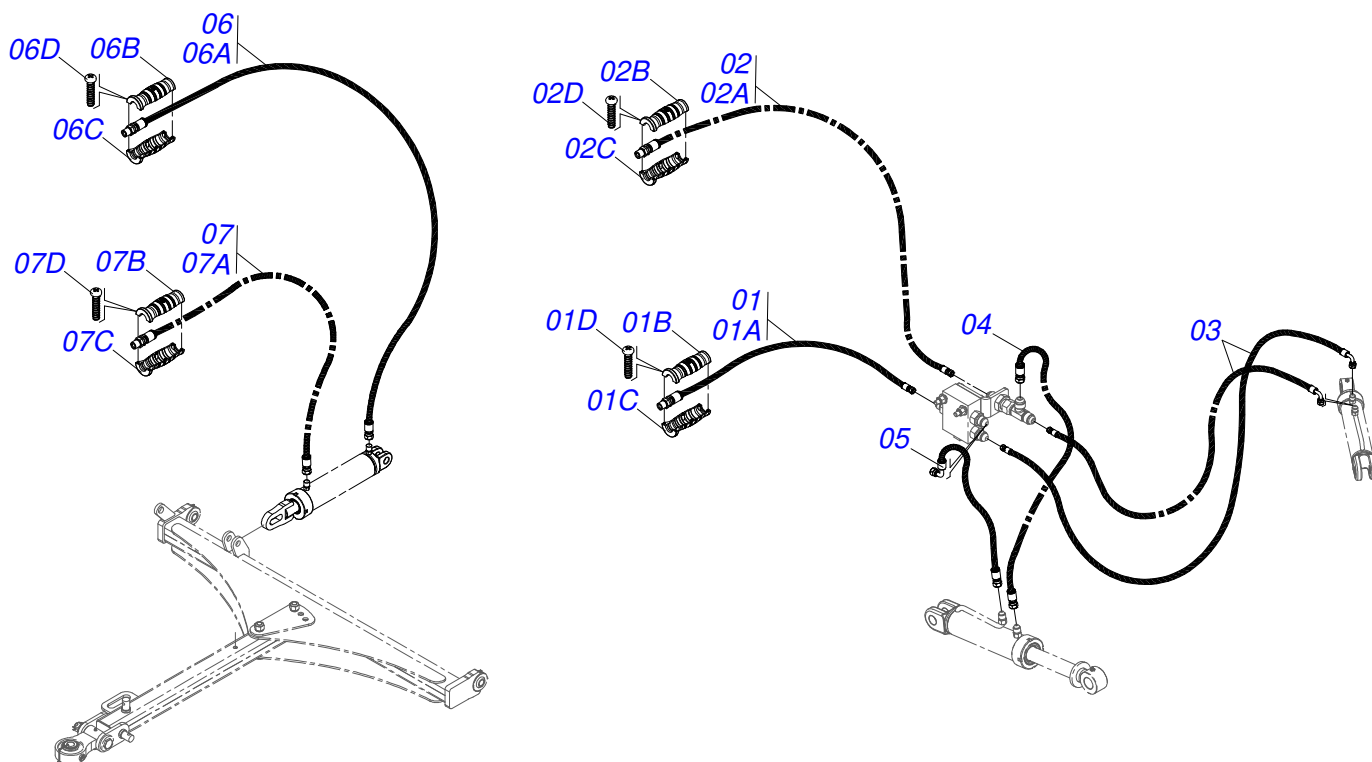
Item	Code	Description	See page	QT
01	0521053252	3/8" X 263.80" TR-TM BLACK/RED HOSE		01
01A	0501082198	3/8" X 263.80" TR-TM HOSE		01
01B	0503034495	HYDRAULIC HOSE GRIP (RED)		01
01C	0503034492	HYDRAULIC HOSE GRIP (BLACK)		01
01D	0503018952	PH 2,5 X 10 ZB PLASTIC BOLT		06
02	0521053251	3/8" X 263.80" TR-TM BLACK/BLUE HOSE		01
02A	0501082198	3/8" X 263.80" TR-TM HOSE		01
02B	0503034492	HYDRAULIC HOSE GRIP (BLACK)		01
02C	0503034494	HYDRAULIC HOSE GRIP (BLUE)		01
02D	0503018952	PH 2,5 X 10 ZB PLASTIC BOLT		06
03	0501080406	3/8" X 23" TR-TC HOSE		01
04	0501080460	3/8" X 23" TR-TR HOSE		01
05	0501082197	3/8" X 110" TR-TC HOSE		02
06	0531050513	3/8" X 177" TR-TM GREEN/RED HOSE		01
06A	0501080363	3/8" X 177" TR-TM HOSE		01
06B	0503034495	HYDRAULIC HOSE GRIP (RED)		01
06C	0503034497	HYDRAULIC HOSE GRIP (GREEN)		01
06D	0503018952	PH 2,5 X 10 ZB PLASTIC BOLT		06
07	0531050512	3/8" X 177" TR-TM GREEN/BLUE HOSE		01
07A	0501080363	3/8" X 177" TR-TM HOSE		01
07B	0503034494	HYDRAULIC HOSE GRIP (BLUE)		01
07C	0503034497	HYDRAULIC HOSE GRIP (GREEN)		01
07D	0503018952	PH 2,5 X 10 ZB PLASTIC BOLT		06



Item	Code	Description	See page	QT
01	0521053156	3/8" X 271.65" TR-TM BLACK/RED HOSE		01
01A	0501082194	3/8" X 271.65" TR-TM HOSE		01
01B	0503034495	HYDRAULIC HOSE GRIP (RED)		01
01C	0503034492	HYDRAULIC HOSE GRIP (BLACK)		01
01D	0503018952	PH 2,5 X 10 ZB PLASTIC BOLT		06
02	0521053155	3/8" X 271.65" TR-TM HOSE		01
02A	0501082194	3/8" X 271.65" TR-TM HOSE		01
02B	0503034492	HYDRAULIC HOSE GRIP (BLACK)		01
02C	0503034494	HYDRAULIC HOSE GRIP (BLUE)		01
02D	0503018952	PH 2,5 X 10 ZB PLASTIC BOLT		06
03	0501080406	3/8" X 23" TR-TC HOSE		01
04	0501080460	3/8" X 23" TR-TR HOSE		01
05	0501082193	3/8" X 125" TR-TC HOSE		02
06	0531050513	3/8" X 177" TR-TM GREEN/RED HOSE		01
06A	0501080363	3/8" X 177" TR-TM HOSE		01
06B	0503034495	HYDRAULIC HOSE GRIP (RED)		01
06C	0503034497	HYDRAULIC HOSE GRIP (GREEN)		01
06D	0503018952	PH 2,5 X 10 ZB PLASTIC BOLT		06
07	0531050512	3/8" X 177" TR-TM GREEN/BLUE HOSE		01
07A	0501080363	3/8" X 177" TR-TM HOSE		01
07B	0503034494	HYDRAULIC HOSE GRIP (BLUE)		01
07C	0503034497	HYDRAULIC HOSE GRIP (GREEN)		01
07D	0503018952	PH 2,5 X 10 ZB PLASTIC BOLT		06

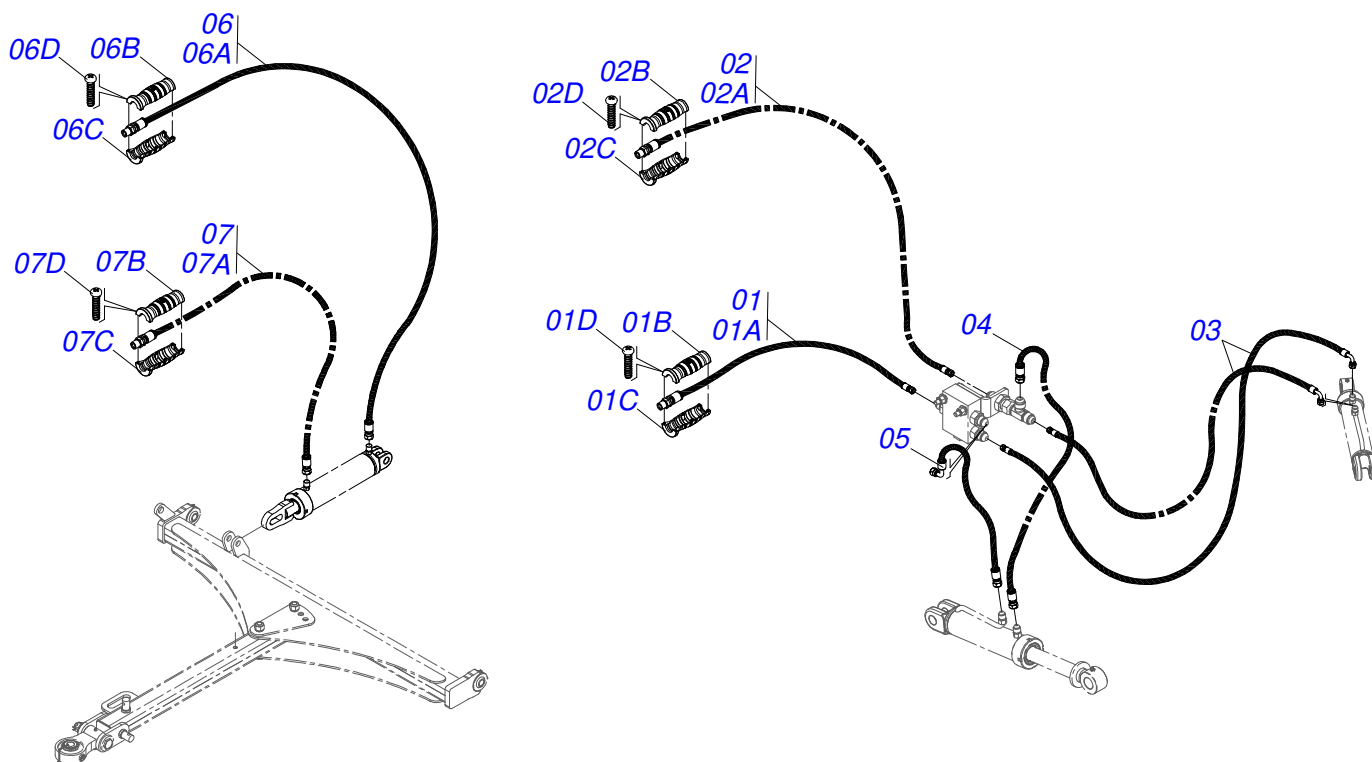


Item	Code	Description	See page	QT
01	0521053117	3/8" X 279.50" TR-TM BLACK/BLUE HOSE		01
01A	0501082192	3/8" X 279.50" TR-TM HOSE		01
01B	0503034492	HYDRAULIC HOSE GRIP (BLACK)		01
01C	0503034494	HYDRAULIC HOSE GRIP (BLUE)		01
01D	0503018952	PH 2,5 X 10 ZB PLASTIC BOLT		06
02	0521053118	3/8" X 279.50" TR-TM BLACK/RED HOSE		01
02A	0501082192	3/8" X 279.50" TR-TM HOSE		01
02B	0503034495	HYDRAULIC HOSE GRIP (RED)		01
02C	0503034492	HYDRAULIC HOSE GRIP (BLACK)		01
02D	0503018952	PH 2,5 X 10 ZB PLASTIC BOLT		06
03	0501080406	3/8" X 23" TR-TC HOSE		01
04	0501080460	3/8" X 23" TR-TR HOSE		01
05	0501080435	3/8" X 141" TR-TC HOSE		02
06	0531050513	3/8" X 177" TR-TM GREEN/RED HOSE		01
06A	0501080363	3/8" X 177" TR-TM HOSE		01
06B	0503034495	HYDRAULIC HOSE GRIP (RED)		01
06C	0503034497	HYDRAULIC HOSE GRIP (GREEN)		01
06D	0503018952	PH 2,5 X 10 ZB PLASTIC BOLT		06
07	0531050512	3/8" X 177" TR-TM GREEN/BLUE HOSE		01
07A	0501080363	3/8" X 177" TR-TM HOSE		01
07B	0503034494	HYDRAULIC HOSE GRIP (BLUE)		01
07C	0503034497	HYDRAULIC HOSE GRIP (GREEN)		01
07D	0503018952	PH 2,5 X 10 ZB PLASTIC BOLT		06

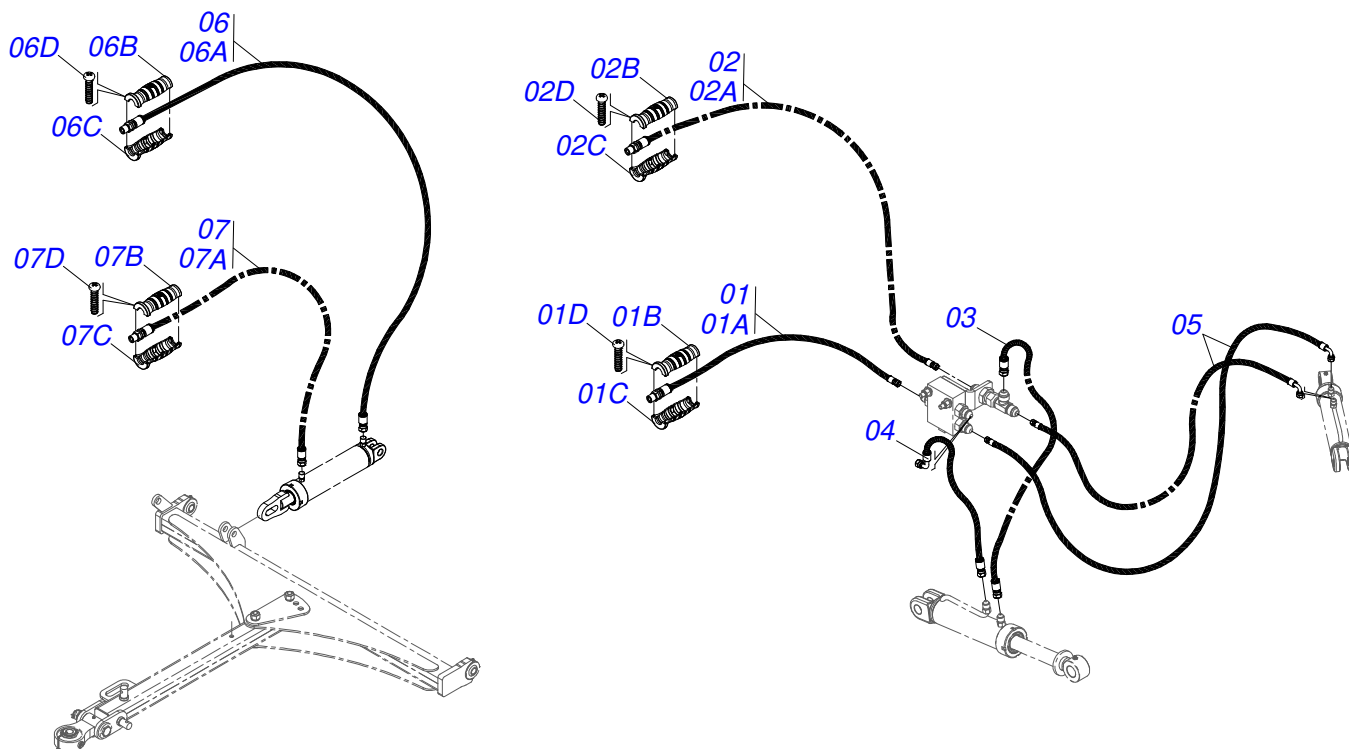


Item	Code	Description	See page	QT
01	0521053115	3/8" X 287.40" TR-TM BLACK/RED HOSE		01
01A	0501082191	3/8" X 287.40" TR-TM HOSE		01
01B	0503034495	HYDRAULIC HOSE GRIP (RED)		01
01C	0503034492	HYDRAULIC HOSE GRIP (BLACK)		01
01D	0503018952	PH 2,5 X 10 ZB PLASTIC BOLT		06
02	0521053116	3/8" X 287.40" TR-TM BLACK/BLUE HOSE		01
02A	0501082191	3/8" X 287.40" TR-TM HOSE		01
02B	0503034492	HYDRAULIC HOSE GRIP (BLACK)		01
02C	0503034494	HYDRAULIC HOSE GRIP (BLUE)		01
02D	0503018952	PH 2,5 X 10 ZB PLASTIC BOLT		06
03	0501080605	3/8" X 157.50" TR-TC HOSE		02
04	0501080460	3/8" X 23" TR-TR HOSE		01
05	0501080406	3/8" X 23" TR-TC HOSE		01
06	0531050513	3/8" X 177" TR-TM GREEN/RED HOSE		01
06A	0501080363	3/8" X 177" TR-TM HOSE		01
06B	0503034495	HYDRAULIC HOSE GRIP (RED)		01
06C	0503034497	HYDRAULIC HOSE GRIP (GREEN)		01
06D	0503018952	PH 2,5 X 10 ZB PLASTIC BOLT		06
07	0531050512	3/8" X 177" TR-TM GREEN/BLUE HOSE		01
07A	0501080363	3/8" X 177" TR-TM HOSE		01
07B	0503034494	HYDRAULIC HOSE GRIP (BLUE)		01
07C	0503034497	HYDRAULIC HOSE GRIP (GREEN)		01
07D	0503018952	PH 2,5 X 10 ZB PLASTIC BOLT		06

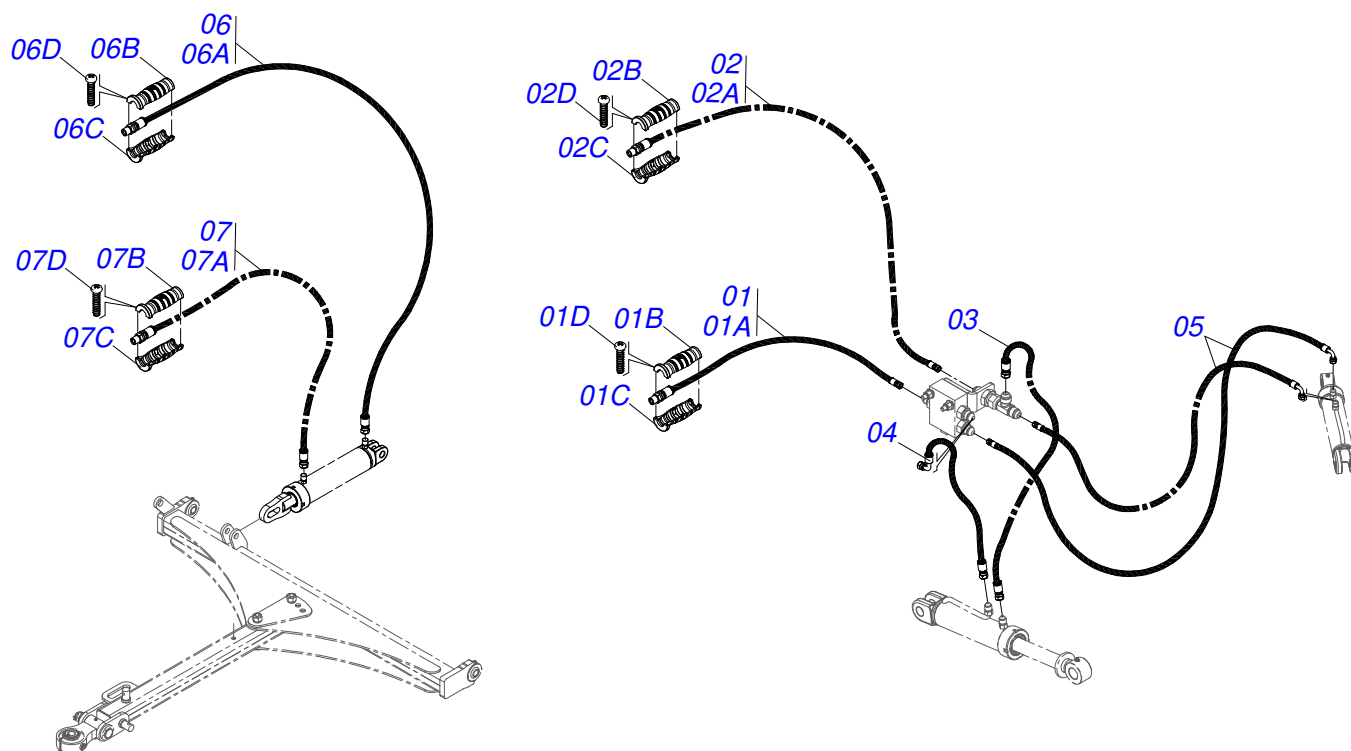




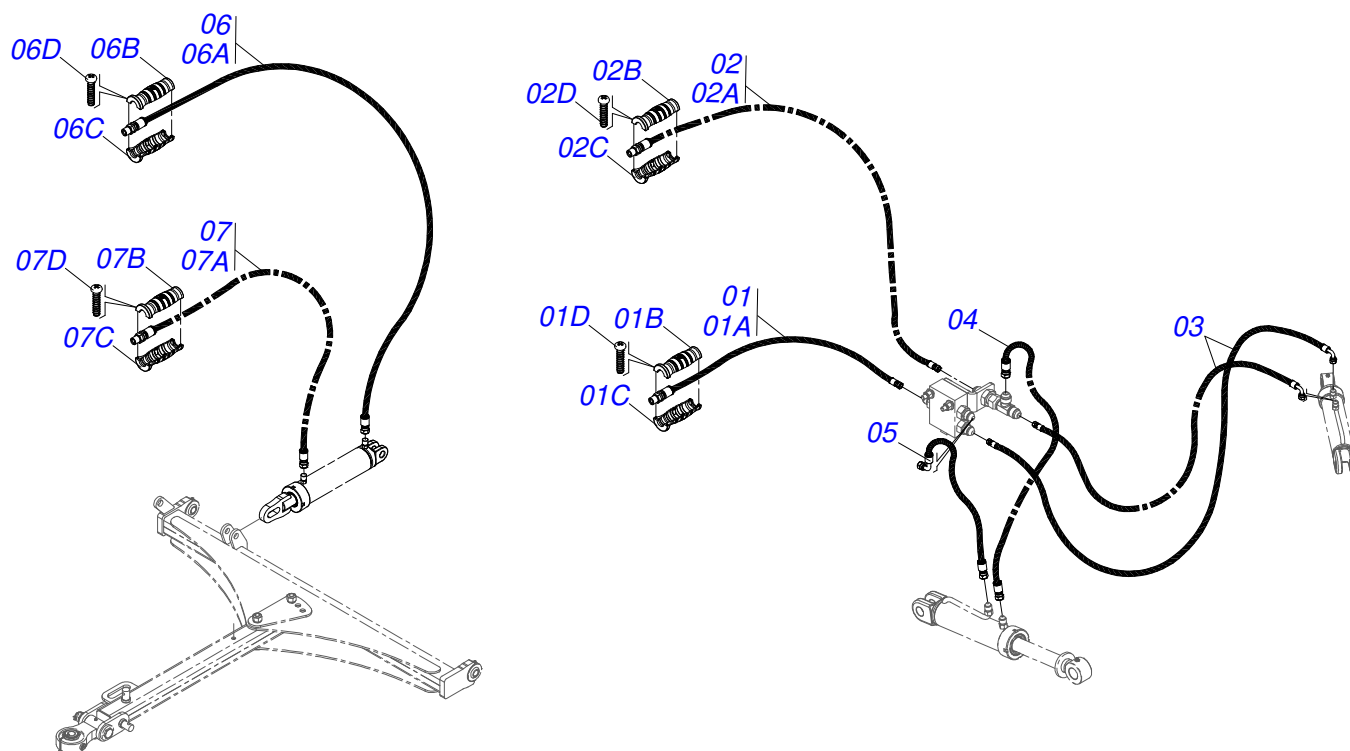
Item	Code	Description	See page	QT
01	0521053108	3/8" X 295.30" TR-TM BLACK/RED HOSE		01
01A	0501080349	3/8" X 295.30" TR-TM HOSE		01
01B	0503034495	HYDRAULIC HOSE GRIP (RED)		01
01C	0503034492	HYDRAULIC HOSE GRIP (BLACK)		01
01D	0503018952	PH 2,5 X 10 ZB PLASTIC BOLT		03
02	0521053107	3/8" X 295.30" TR-TM BLACK/BLUE HOSE		01
02A	0501080349	3/8" X 295.30" TR-TM HOSE		01
02B	0503034492	HYDRAULIC HOSE GRIP (BLACK)		01
02C	0503018952	PH 2,5 X 10 ZB PLASTIC BOLT		03
02D	0503034494	HYDRAULIC HOSE GRIP (BLUE)		01
03	0501081724	3/8" X 173.22" TR-TC HOSE		02
04	0501080460	3/8" X 23" TR-TR HOSE		01
05	0501080406	3/8" X 23" TR-TC HOSE		01
06	0531050513	3/8" X 177" TR-TM GREEN/RED HOSE		01
06A	0501080363	3/8" X 177" TR-TM HOSE		01
06B	0503034495	HYDRAULIC HOSE GRIP (RED)		01
06C	0503018952	PH 2,5 X 10 ZB PLASTIC BOLT		03
06D	0503034497	HYDRAULIC HOSE GRIP (GREEN)		01
07	0531050512	3/8" X 177" TR-TM GREEN/BLUE HOSE		01
07A	0501080363	3/8" X 177" TR-TM HOSE		01
07B	0503034494	HYDRAULIC HOSE GRIP (BLUE)		01
07C	0503018952	PH 2,5 X 10 ZB PLASTIC BOLT		03
07D	0503034497	HYDRAULIC HOSE GRIP (GREEN)		01



Item	Code	Description	See page	QT
01	0521054046	3/8" X 303.15" TR-TM BLACK/BLUE HOSE		01
01A	0501082211	3/8" X 303.15" TR-TM HOSE		01
01B	0503034492	HYDRAULIC HOSE GRIP (BLACK)		01
01C	0503034494	HYDRAULIC HOSE GRIP (BLUE)		01
01D	0503018952	PH 2,5 X 10 ZB PLASTIC BOLT		06
02	0521054047	3/8" X 303.15" TR-TM BLACK/RED HOSE		01
02A	0501082211	3/8" X 303.15" TR-TM HOSE		01
02B	0503034495	HYDRAULIC HOSE GRIP (RED)		01
02C	0503034492	HYDRAULIC HOSE GRIP (BLACK)		01
02D	0503018952	PH 2,5 X 10 ZB PLASTIC BOLT		06
03	0501080460	3/8" X 23" TR-TR HOSE		01
04	0501080406	3/8" X 23" TR-TC HOSE		01
05	0501082214	3/8" X 188" TR-TC HOSE		02
06	0531050513	3/8" X 177" TR-TM GREEN/RED HOSE		01
06A	0501080363	3/8" X 177" TR-TM HOSE		01
06B	0503034495	HYDRAULIC HOSE GRIP (RED)		01
06C	0503034497	HYDRAULIC HOSE GRIP (GREEN)		01
06D	0503018952	PH 2,5 X 10 ZB PLASTIC BOLT		06
07	0531050512	3/8" X 177" TR-TM GREEN/BLUE HOSE		01
07A	0501080363	3/8" X 177" TR-TM HOSE		01
07B	0503034494	HYDRAULIC HOSE GRIP (BLUE)		01
07C	0503034497	HYDRAULIC HOSE GRIP (GREEN)		01
07D	0503018952	PH 2,5 X 10 ZB PLASTIC BOLT		06

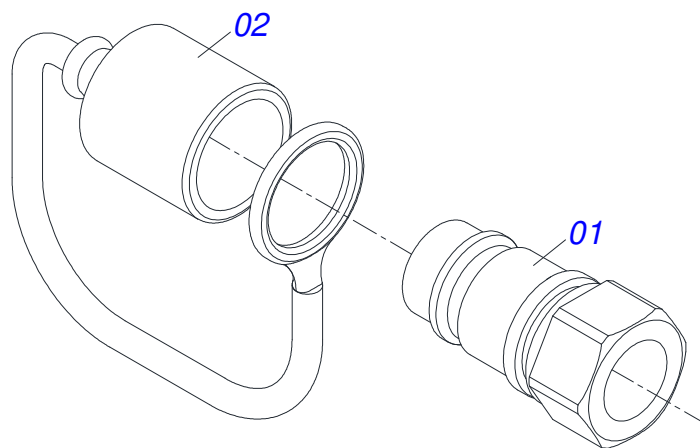


Item	Code	Description	See page	QT
01	0521054035	3/8" X 311" TR-TM BLACK/RED HOSE		01
01A	0501082212	3/8" X 311" TR-TM HOSE		01
01B	0503034495	HYDRAULIC HOSE GRIP (RED)		01
01C	0503034492	HYDRAULIC HOSE GRIP (BLACK)		01
01D	0503018952	PH 2,5 X 10 ZB PLASTIC BOLT		06
02	0521054048	3/8" X 311" TR-TM BLACK/BLUE HOSE		01
02A	0501082212	3/8" X 311" TR-TM HOSE		01
02B	0503034492	HYDRAULIC HOSE GRIP (BLACK)		01
02C	0503034494	HYDRAULIC HOSE GRIP (BLUE)		01
02D	0503018952	PH 2,5 X 10 ZB PLASTIC BOLT		06
03	0501080460	3/8" X 23" TR-TR HOSE		01
04	0501080406	3/8" X 23" TR-TC HOSE		01
05	0501082213	3/8" X 204" TR-TC HOSE		02
06	0531050513	3/8" X 177" TR-TM GREEN/RED HOSE		01
06A	0501080363	3/8" X 177" TR-TM HOSE		01
06B	0503034495	HYDRAULIC HOSE GRIP (RED)		01
06C	0503034497	HYDRAULIC HOSE GRIP (GREEN)		01
06D	0503018952	PH 2,5 X 10 ZB PLASTIC BOLT		06
07	0531050512	3/8" X 177" TR-TM GREEN/BLUE HOSE		01
07A	0501080363	3/8" X 177" TR-TM HOSE		01
07B	0503034494	HYDRAULIC HOSE GRIP (BLUE)		01
07C	0503034497	HYDRAULIC HOSE GRIP (GREEN)		01
07D	0503018952	PH 2,5 X 10 ZB PLASTIC BOLT		06



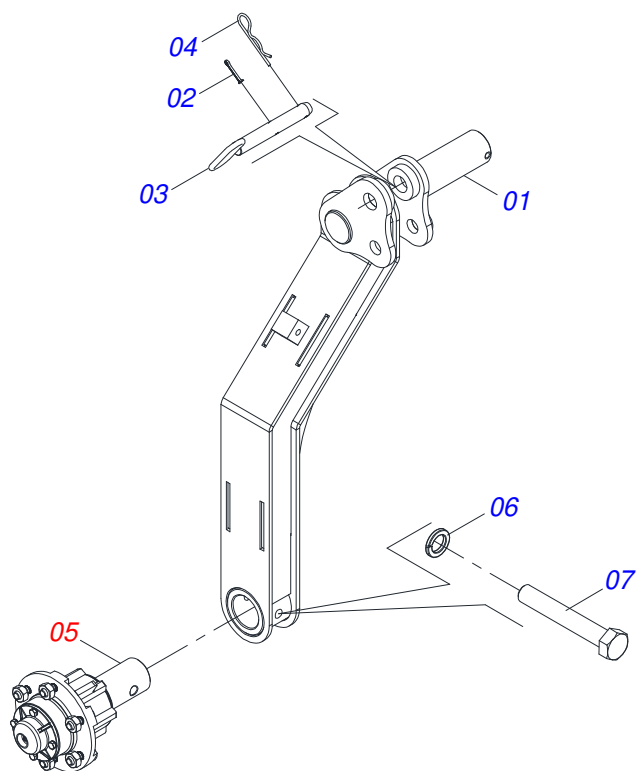
Item	Code	Description	See page	QT
01	0521054006	3/8" X 318.90" TR-TM BLACK/BLUE HOSE		01
01A	0501082209	3/8" X 318.90" TR-TM HOSE		01
01B	0503034492	HYDRAULIC HOSE GRIP (BLACK)		01
01C	0503034494	HYDRAULIC HOSE GRIP (BLUE)		01
01D	0503018952	PH 2,5 X 10 ZB PLASTIC BOLT		06
02	0521054007	3/8" X 318.90" TR-TM BLACK/RED HOSE		01
02A	0501082209	3/8" X 318.90" TR-TM HOSE		01
02B	0503034495	HYDRAULIC HOSE GRIP (RED)		01
02C	0503034492	HYDRAULIC HOSE GRIP (BLACK)		01
02D	0503018952	PH 2,5 X 10 ZB PLASTIC BOLT		06
03	0501082210	3/8" X 220" TR-TC HOSE		02
04	0501080460	3/8" X 23" TR-TR HOSE		01
05	0501080406	3/8" X 23" TR-TC HOSE		01
06	0531050513	3/8" X 177" TR-TM GREEN/RED HOSE		01
06A	0501080363	3/8" X 177" TR-TM HOSE		01
06B	0503034495	HYDRAULIC HOSE GRIP (RED)		01
06C	0503034497	HYDRAULIC HOSE GRIP (GREEN)		01
06D	0503018952	PH 2,5 X 10 ZB PLASTIC BOLT		06
07	0531050512	3/8" X 177" TR-TM GREEN/BLUE HOSE		01
07A	0501080363	3/8" X 177" TR-TM HOSE		01
07B	0503034494	HYDRAULIC HOSE GRIP (BLUE)		01
07C	0503034497	HYDRAULIC HOSE GRIP (GREEN)		01
07D	0503018952	PH 2,5 X 10 ZB PLASTIC BOLT		06

MALE QUICK COUPLER



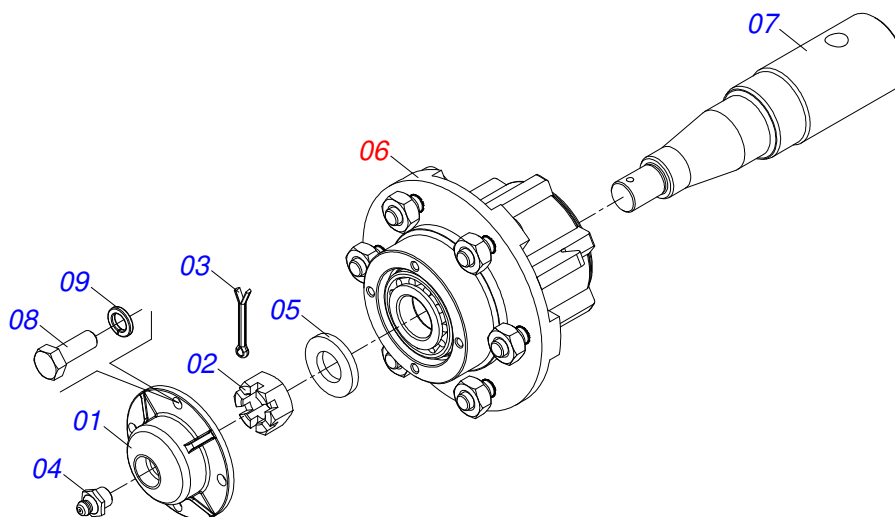
Item	Code	Description	See page	QT
01	0503011627	MALE QUICK COUPLER AGR 1/2 NPT		01
02	0503011882	MALE QUICK COUPLER CAP		01

WHEELS ASSY



Item	Code	Description	See page	QT
01	0521068372	WHEELED ARM		01
02	0503010131	3/16" X 1.1/2" SPLIT PIN		01
03	0521068769	COUPLING SHAFT		01
04	0503030012	HITCH PIN CLIP		01
05	0521052217	WHEEL HUB ASSY	25	01
06	0503010027	5/8 SPRING WASHER		01
07	0503017857	BOLT 5/8 UNF 4		01

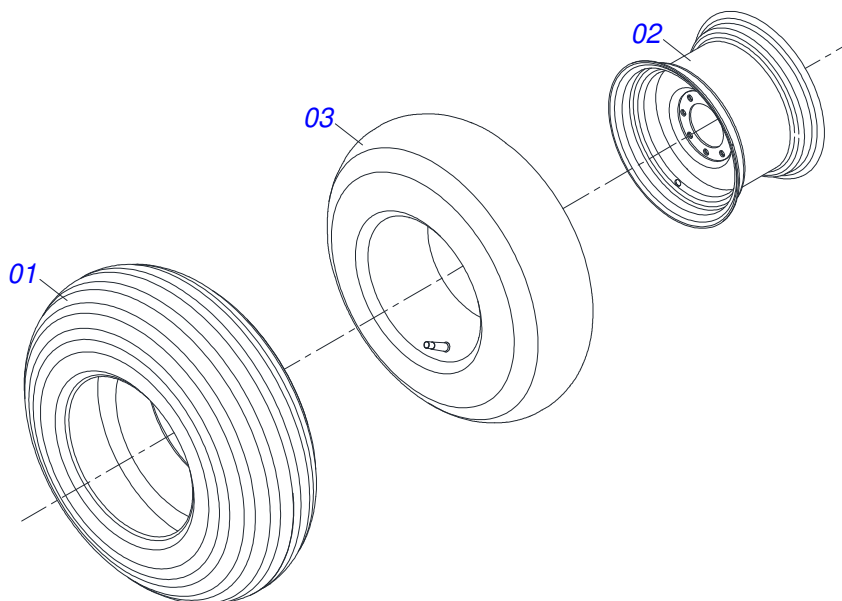
WHEEL HUB ASSY



Item	Code	Description	See page	QT
01	0502020591	PROTECTION LID		01
02	0503030009	1" CASTLE NUT		01
03	0503010018	5/32" X 1-1/2" SPLIT PIN		01
04	0503010002	1800 GREASE FITTING		01
05	0501016545	FLAT WASHER		01
06	0501051142	CARRYING WHEEL HUB	27	01
07	0581016297	63,50 X 270 AXIS		01
08	0503010178	5/16" X 7/8" BOLT		04
09	0503010179	LOCK WASHER 5/16 ZN 1K01528		04

WHEEL AND TIRE

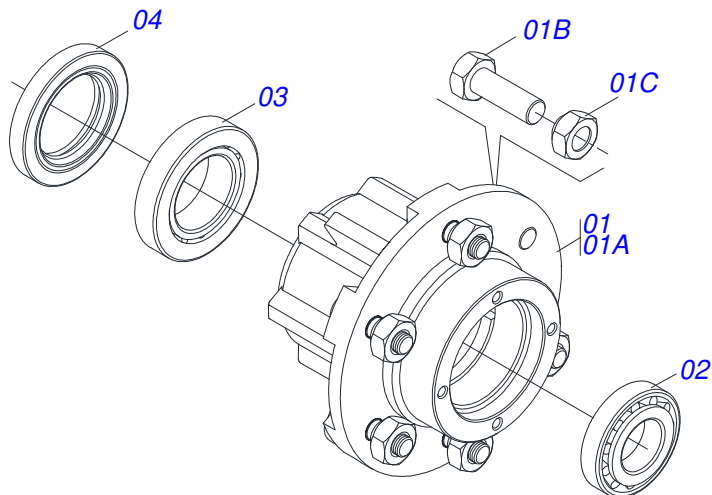
0503060181



Item	Code	Description	See page	QT
01	0503010858	CANVAS TIRE		01
02	0503011468	WHEEL		01
03	0503010860	AIR CHAMBER 11L 15		01

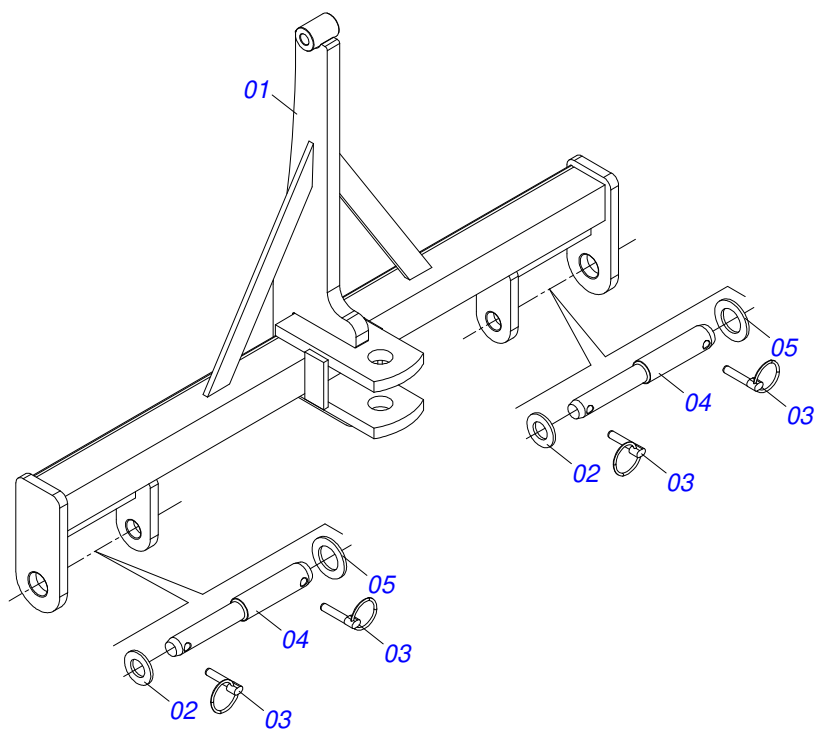


CARRYING WHEEL HUB



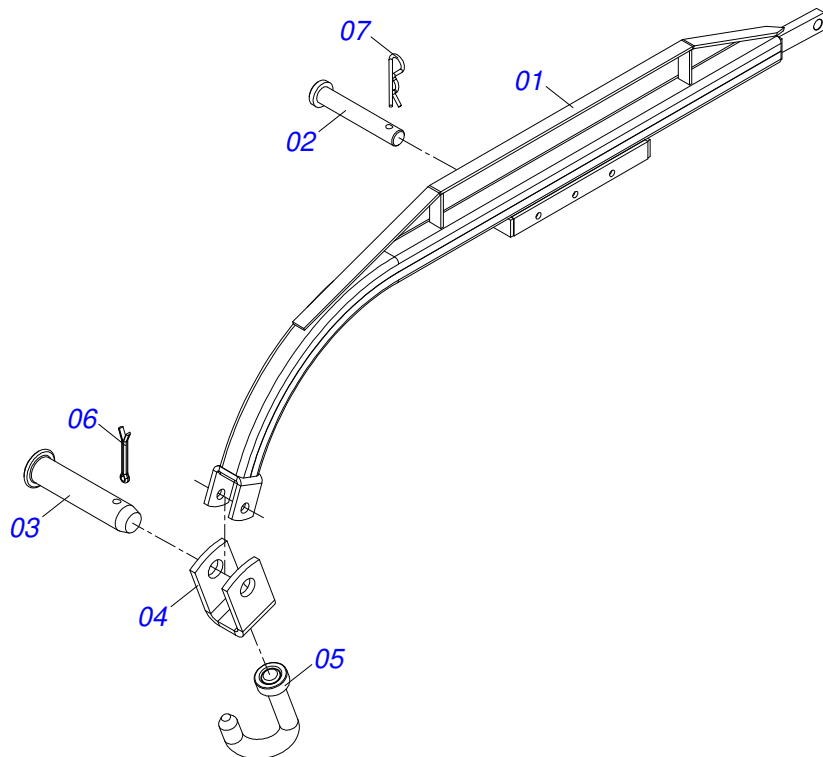
Item	Code	Description	See page	QT
01	0501110728	WHEEL HUB		01
01A	0502011121	CARRYING WHEEL HUB		01
01B	0501010127	9/16" X 1-7/8" LUG BOLT		06
01C	0503010035	9/16" CONIC NUT		06
02	0503010037	30207 ROLLER BEARING		01
03	0503010006	32210 ROLLER BEARING		01
04	0503012928	SEAL		01

DRAWBAR WITH HITCH SUPPORT

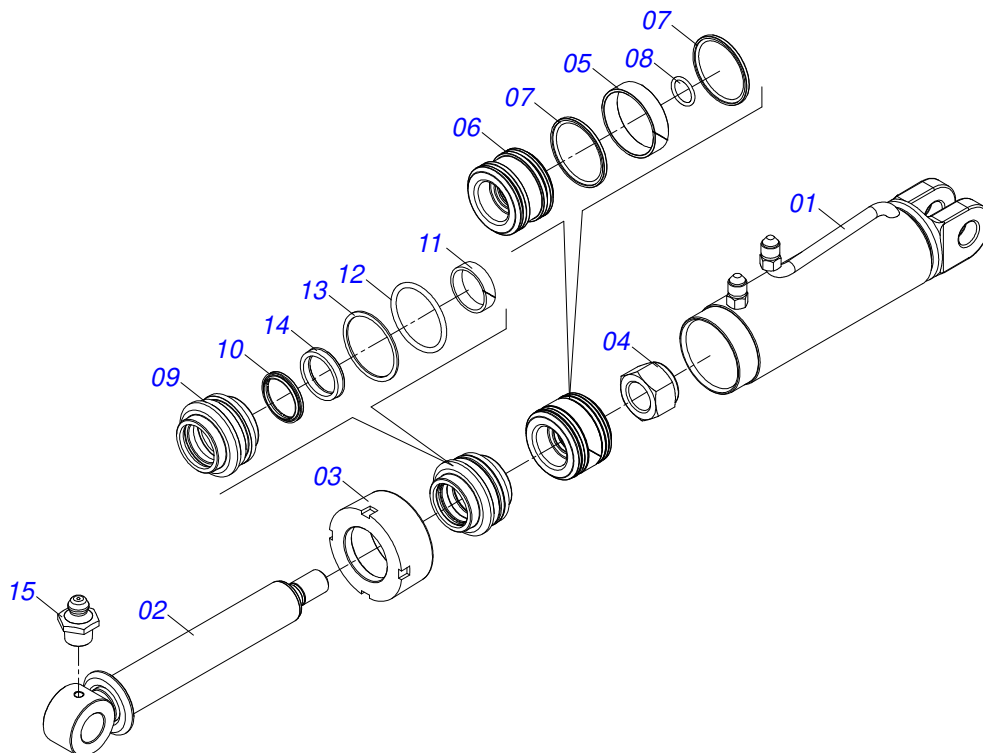


Item	Code	Description	See page	QT
01	0511062944	DRAWBAR		01
02	0501012916	FLAT WASHER 40 X 66 X 4,75 ZN		02
03	0503030430	7/16 X 2" PIN LOCK		04
04	0541015542	1.1/8" HITCH AXLE		02
05	0511017480	FLAT WASHER		02

FRAME ASSY

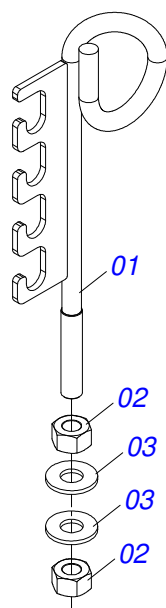


Item	Code	Description	See page	QT
01	0501062595	FRAME		01
02	0501011388	COUPLING SHAFT		01
03	0521010579	COUPLING SHAFT		01
04	0511016686	U HOOK		01
05	0501067537	25,4 X 100 HOOK		01
06	0503010018	5/32" X 1-1/2" SPLIT PIN		01
07	0503030168	HITCH PIN CLIP		01

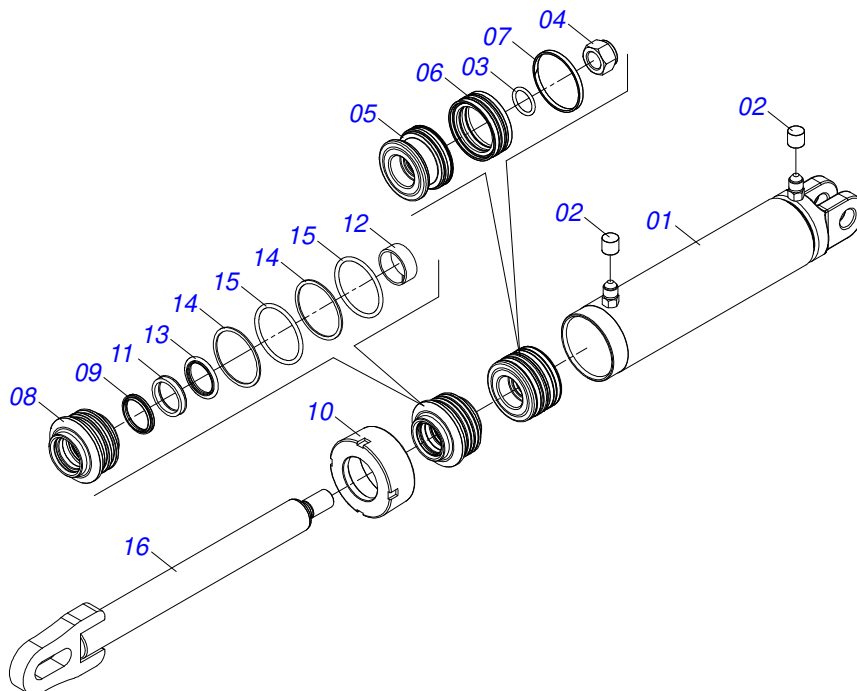


Item	Code	Description	See page	QT
01	0531060320	CYLINDER BARREL		01
02	0531060321	PISTON ROD		01
03	0502011899	MOBILE LID		01
04	0503010063	1" SELF-ALIGNING NUT		01
05	0503018140	RING GUIDE		01
06	0581010304	PISTON		01
07	0503018138	RING BS		02
08	0503010042	2-214 N 3006-9B O'RING		01
09	0502012264	RING SUPPORT 1.75" X 3"		01
10	0503010761	D-1750 SCRAPER RING		01
11	0503010949	W2-2000-500 PK RING G.E		01
12	0503010343	2-334 N 3006-9B O'RING		01
13	0503011059	8-334 BACK-UP RING		01
14	0503017937	GASKET		01
15	0503010002	1800 GREASE FITTING		01
16	0511032725	HYDRAULIC CYLINDER REPAIR KIT		01

HOSE SUPPORT



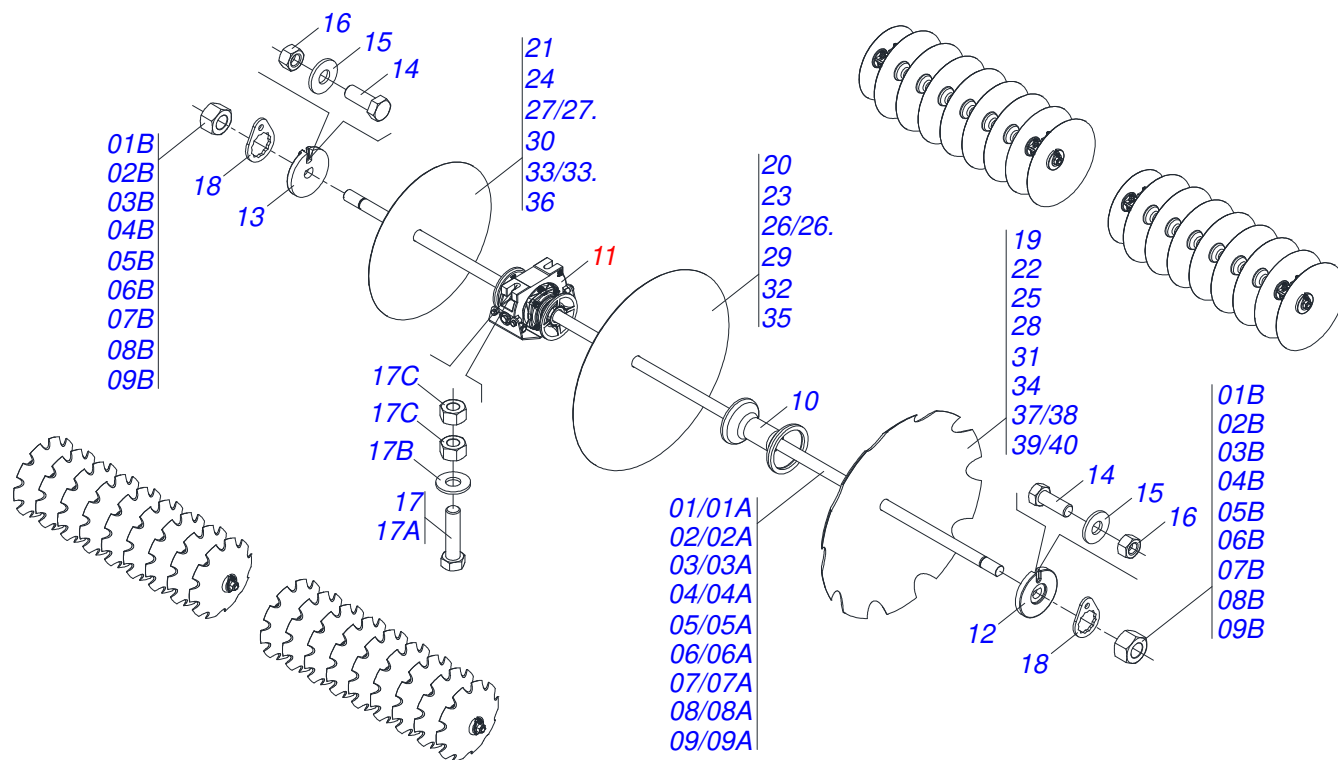
Item	Code	Description	See page	QT
01	0521068388	HOSE SUPPORT		01
02	0503010014	3/4" ZN G.5 (HEAVY) UNC HEX NUT		02
03	0501010322	20,50 X 46 X 4,00 ZN FLAT WASHER		02



Item	Code	Description	See page	QT
01	0531061884	CASE 85.70 X 265		01
02	0503030385	CYLINDER PLUG N-002		02
03	0503010042	2-214 N 3006-9B O'RING		01
04	0503010063	1" SELF-ALIGNING NUT		01
05	0571019710	1.7" X 3.4" PISTON		01
06	0503017935	RING		01
07	0503018144	RING		01
08	0571019711	RING SUPPORT		01
09	0503010761	D-1750 SCRAPER RING		01
10	0571019709	DETACHABLE COVER		01
11	0503017936	RING		01
12	0503017938	RING GUIDE		01
13	0503017937	GASKET		01
14	0503017940	8-337 BACK-UP RING		02
15	0503017939	2-337 N 3006-9B O' RING		02
16	0531061883	1.75" X 21.06" EXTENDER		01
17	0511032281	HYDRAULIC CYLINDER REPAIR KIT		01

DISC GANG ASSY

0909096317



Item	Code	Description	See page	48	52	56	60	64	68	72	76	80	84
01	0531041890	1.1/2" 6FPP X 90.35" SHAFT ASSY		04	00	00	00	00	00	00	00	00	00
01A	0501212101	1.1/2" UNC X 90.35" SHAFT		01	00	00	00	00	00	00	00	00	00
01B	0501010110	1.1/2" NC 6FPP 2.3/8" HEXAGONAL ZN NUT		02	00	00	00	00	00	00	00	00	00
02	0511054527	1.1/2" 6FPP X 98.03" SHAFT ASSY		00	04	00	00	00	00	00	00	00	00
02A	0531019372	1.1/2" UNC X 98.03" SHAFT		00	01	00	00	00	00	00	00	00	00
02B	0501010110	1.1/2" NC 6FPP 2.3/8" HEXAGONAL ZN NUT		00	02	00	00	00	00	00	00	00	00
03	0531041891	1.1/2" 6FPP X 105.70" SHAFT ASSY		00	00	04	00	00	00	00	04	00	06
03A	0501212102	1.1/2" UNC X 105.70" SHAFT		00	00	01	00	00	00	00	01	00	01
03B	0501010110	1.1/2" NC 6FPP 2.3/8" HEXAGONAL ZN NUT		00	00	02	00	00	00	00	02	00	02
04	0501059898	1.1/2" 6FPP X 113.38" SHAFT ASSY		00	00	00	04	00	00	00	00	00	00
04A	0561016111	1.1/2" UNC X 113.38" SHAFT		00	00	00	01	00	00	00	00	00	00
04B	0501010110	1.1/2" NC 6FPP 2.3/8" HEXAGONAL ZN NUT		00	00	00	02	00	00	00	00	00	00
05	0531041892	1.1/2" 6FPP X 121.25" SHAFT ASSY		00	00	00	00	04	00	00	00	04	00
05A	0501212103	1.1/2" UNC X 121.25" SHAFT		00	00	00	00	01	00	00	00	01	00
05B	0501010110	1.1/2" NC 6FPP 2.3/8" HEXAGONAL ZN NUT		00	00	00	00	02	00	00	00	02	00
06	0531041893	1.1/2" 6FPP X 128.93" SHAFT ASSY		00	00	00	00	00	04	00	00	00	00
06A	0501212104	1.1/2" UNC X 128.93" SHAFT		00	00	00	00	00	01	00	00	00	00
06B	0501010110	1.1/2" NC 6FPP 2.3/8" HEXAGONAL ZN NUT		00	00	00	00	00	02	00	00	00	00
07	0521059183	1.1/2" 6FPP X 136.61" SHAFT ASSY		00	00	00	00	00	00	04	00	00	00
07A	0591015177	1.1/2" UNC X 136.61" SHAFT		00	00	00	00	00	00	01	00	00	00
07B	0501010110	1.1/2" NC 6FPP 2.3/8" HEXAGONAL ZN NUT		00	00	00	00	00	00	02	00	00	00
08	0531041889	1.1/2" 6FPP X 74.60" SHAFT ASSY		00	00	00	00	00	00	00	02	00	00
08A	0501212100	1.1/2" UNC X 74.60" SHAFT		00	00	00	00	00	00	00	01	00	00
08B	0501010110	1.1/2" NC 6FPP 2.3/8" HEXAGONAL ZN NUT		00	00	00	00	00	00	00	02	00	00
09	0531041888	1.1/2" 6FPP X 59.25" SHAFT ASSY		00	00	00	00	00	00	00	00	02	00
09A	0501212099	1.1/2" UNC X 59.25" SHAFT		00	00	00	00	00	00	00	00	01	00
09B	0501010110	1.1/2" NC 6FPP 2.3/8" HEXAGONAL ZN NUT		00	00	00	00	00	00	00	00	02	00
10	0502010627	SPACER		32	36	40	44	48	52	56	54	58	60
11	0521047187	AGRICULTURAL BEARING	34	12	12	12	12	12	12	12	16	16	18
12	0502010872	1-1/2" INNER AXLE WASHER		04	04	04	04	04	04	04	06	06	06
13	0502010871	EXTERNAL AXLE WASHER 1.1/2"		04	04	04	04	04	04	04	06	06	06
14	0503011267	BOLT 5/8" UNC X 1.1/2 C S G.5 ZN		08	08	08	08	08	08	08	12	12	12

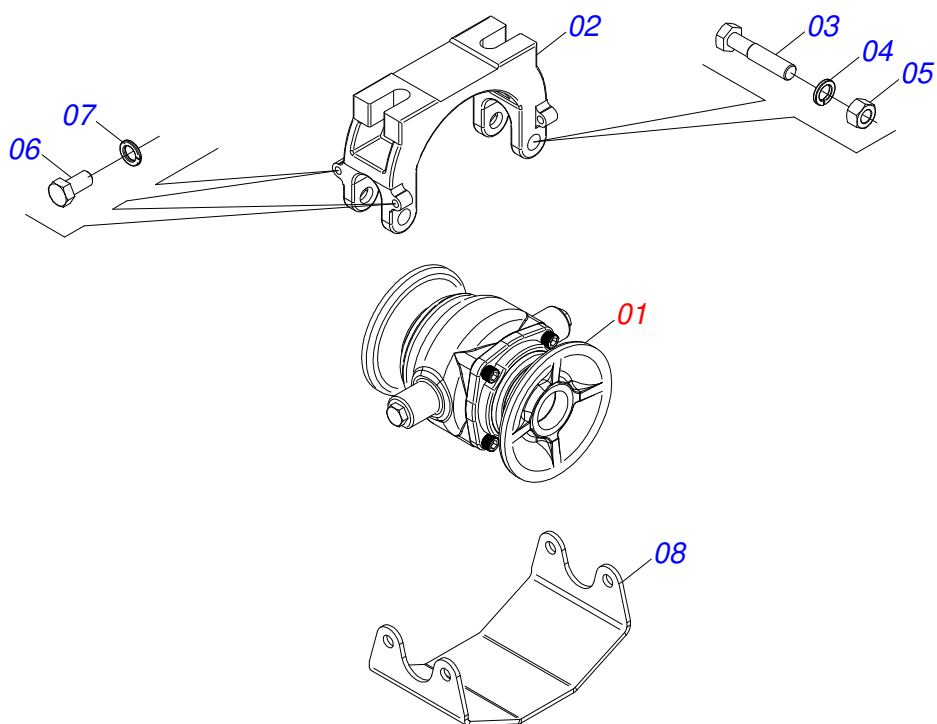


DISC GANG ASSY

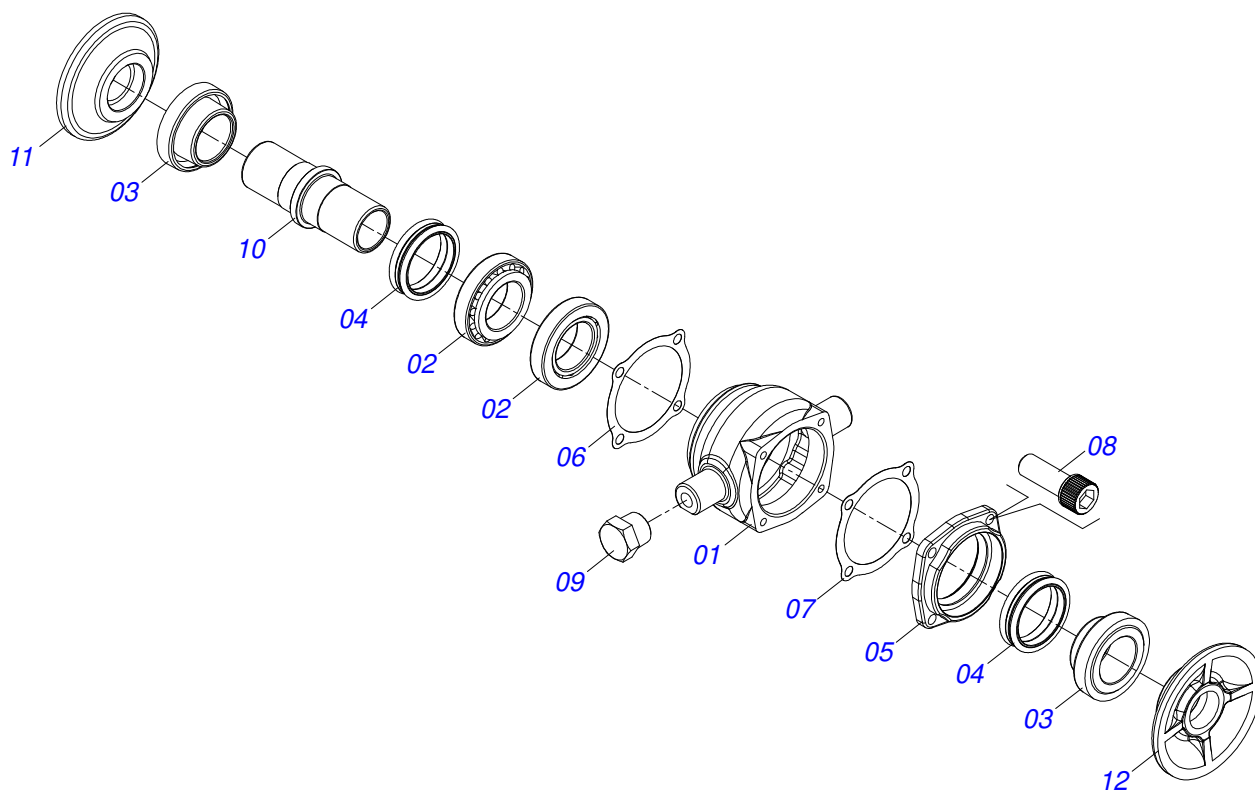
0909096317

Item	Code	Description	See page	48	52	56	60	64	68	72	76	80	84
15	0501012140	FLAT WASHER 16,50 X 40 X 4,00 ZN		08	08	08	08	08	08	08	12	12	12
16	0503012412	5/8" UNC SELF LOCKING NUT		08	08	08	08	08	08	08	12	12	12
17	0521059224	BOLT ASSEMBLY 5/8 UNC X 2.3/4		24	24	24	24	24	24	24	32	32	36
17A	0501013233	5/8" X 2-3/4" BOLT		01	01	01	01	01	01	01	01	01	01
17B	0501012140	FLAT WASHER 16,50 X 40 X 4,00 ZN		01	01	01	01	01	01	01	01	01	01
17C	0503010013	5/8 UNC G.5 ZN HEX NUT		02	02	02	02	02	02	02	02	02	02
18	0501018592	1.5/8 HEX 60,0/60,2 LOCK NUT		08	08	08	08	08	08	08	12	12	12
19	0602027341	DR 20 X 3,50 C57AF02FR1.9/16 10R		24	26	28	30	32	34	36	38	40	42
20	0601027302	DL 20 X 3,50 C57AF02FR1.9/16		22	24	26	28	30	32	34	36	38	40
21	0601025033	DL 18 X 3,50 C45AF02FR1.9/16		02	02	02	02	02	02	02	02	02	02
22	0602027356	DR 20 X 4,50 C57AF02FR1.9/16 10R		24	26	28	30	32	34	36	38	40	42
23	0601027299	DL 20 X 4,50 C57AF02FR1.9/16		22	24	26	28	30	32	34	36	38	40
24	0601025099	DL 18 X 4,50 C45AFPAFR1.9/16		02	02	02	02	02	02	02	02	02	02
25	0602029422	DR 22 X 3,50 C64AF02FR1.9/16 10R		24	26	28	30	32	34	36	38	40	42
26	0601029419	DL 22 X 3,50 C64AF02FR1.9/16		22	24	26	28	30	32	00	36	38	40
26.	0601029404	DL 22 X 3,50 C64AF02FR1.9/16		00	00	00	00	00	00	34	00	00	00
27	0601027302	DL 20 X 3,50 C57AF02FR1.9/16		02	02	02	02	02	02	00	02	02	02
27.	0601027300	DL 20 X 3,50 C57AF02FR1.9/16		00	00	00	00	00	00	02	00	00	00
28	0602029416	DR 22 X 4,50 C64AF02FR1.9/16 10R		24	26	28	30	32	34	36	38	40	42
29	0601029413	DL 22 X 4,50 C64AF02FR1.9/16		22	24	26	28	30	32	34	36	38	40
30	0601027299	DL 20 X 4,50 C57AF02FR1.9/16		02	02	02	02	02	02	02	02	02	02
31	0602030429	DR 24 X 4,50 C66AF02FR1.9/16 10R		24	26	28	00	32	34	36	38	40	42
32	0601031134	DL 24 X 4,50 C66AF02FR1.9/16		22	24	26	00	30	32	34	36	38	40
33	0601029414	DL 22 X 4,50 C63AF02FR1.9/16		02	00	00	00	00	00	00	00	00	00
33.	0601029413	DL 22 X 4,50 C64AF02FR1.9/16		00	02	02	00	02	02	02	02	02	02
34	0602030446	DR 24 X 4,75 C66AF02FR1.9/16 10R		00	00	28	00	00	00	00	00	00	00
35	0601031114	DL 24 X 4,75 C66AF02FR1.9/16		00	00	26	00	00	00	00	00	00	00
36	0601029413	DL 22 X 4,50 C64AF02FR1.9/16		00	00	02	00	00	00	00	00	00	00
37	0602029416	DR 22 X 4,50 C64AF02FR1.9/16 10R		00	00	54	00	00	00	00	00	00	00
38	0602027006	DR 20 X 4,50 C57AFPAFR1.9/16 10R		00	00	02	00	00	00	00	00	00	00
39	0602030429	DR 24 X 4,50 C66AF02FR1.9/16 10R		00	00	00	00	00	00	00	74	00	00
40	0602029416	DR 22 X 4,50 C64AF02FR1.9/16 10R		00	00	00	00	00	00	00	02	00	00





Item	Code	Description	See page	QT
01	0521050840	SWIVEL OIL BATH BEARING 192,5 X 1.1/2	35	01
02	0502012854	BEARING SUPPORT 182/192,5		01
03	0501011541	5/8 UNC X 3 CS G.5 ZN1K28066 BOLT		02
04	0503010027	5/8 SPRING WASHER		02
05	0503010013	5/8 UNC G.5 ZN HEX NUT		02
06	0503011334	3/8 UNC X 3/4 CS G.5 ZN BOLT		04
07	0503010025	3/8" SPRING WASHER		04
08	0581014143	SWIVEL OIL BATH BEARING WEAR PLATE		01



Item	Code	Description	See page	QT
01	0502012839	BEARING HOUSING 182/192,5		01
02	0503010006	32210 ROLLER BEARING		02
03	0502010541	SEAL HOLDER		02
04	0503030026	SEAL LP JB-253		02
05	0502020424	HOUSING CAP 182/192,225		01
06	0503030013	4.4" X 3.5" X 0.004" JOINT		02
07	0503030684	4.4" X 3.5" X 0.004" JOINT		01
08	0503010134	3/8" X 1" BOLT		04
09	0503010856	OIL PLUG R 3/8 BSPT		02
10	0502040061	182/192,5 AXLE		01
11	0502010605	INNER FLANGE		01
12	0502010604	OUTER FLANGE		01





**MARCHESAN**

**Technical Publications | Elaboration and Revision**

LEONARDO JOSÉ DA SILVA SOUZA

[www.marchesan.com.br](http://www.marchesan.com.br)

