

ROW CROP PLANTERS

**T2SI
(FROM 04/2022)**

Code: 0501093263

Series: S-0991

Revision: 00

Date Revision: ABRIL/2022

PARTS CATALOGUE



MARCHESAN



PRODUCTS

Code	Description
0111010305	T2SI 1L 1800 DD FB S-0991
0111010002	T2SI 1L 1800 DD FB S/MAR LIN S-0991
0111010432	T2SI 1L 1800 DD FF S-0991
0111010026	T2SI 1L 2800 DD F F S-0991
0111010061	T2SI 1L HS F F S-0991
0111010254	T2SI 2L 1800 DD B B S-0991
0111010272	T2SI 2L 1800 DD B F S-0991
0111010163	T2SI 2L 1800 DD F B S-0991
0111010180	T2SI 2L 1800 DD F B DC S-0991
0111010125	T2SI 2L 1800 DD F F S-0991
0111010379	T2SI 2L 1800 DD F F S/S ADB S-0991
0111010297	T2SI 2L 1800 DD FB DC MA SULC S-991
0111010029	T2SI 2L 1800 DD FB DC SULC S-0991
0111010289	T2SI 2L 1800 DD FF DC MA SULC S-991
0111010248	T2SI 2L 1800 HS B B S-0991
0111010264	T2SI 2L 1800 HS B F S-0991
0111010257	T2SI 2L 1800 HS F B S-0991
0111010145	T2SI 2L 1800 HS F F S-0991
0111010279	T2SI 2L 2800 DD F F S-0991
0111010065	T2SI 2L 2800 DD FB S-0991
0111010378	T2SI 2L 2800 DD FB DC MA SULC S-991
0111010433	T2SI 2L 3600 DD FF S-0991
0111010255	T2SI 3L 1800 DD B B S-0991
0111010159	T2SI 3L 1800 DD B F S-0991
0111010177	T2SI 3L 1800 DD F B S-0991
0111010154	T2SI 3L 1800 DD F F S-0991
0111010018	T2SI 3L 1800 DD F F S/MARC S-0991
0111010005	T2SI 3L 1800 DD F F S/S ADB S-0991
0111010298	T2SI 3L 1800 DD FB DC MA SULC S-991
0111010290	T2SI 3L 1800 DD FF DC MA SULC S-991

ATTENTION: IMPORTANT

Marchesan S.A. reserves the right to improve and/or modify the technical features of its products, without obligation to do the same with those products already sold and without prior knowledge of the dealer or the consumer. The photos are only illustrative.



PRODUCTS

0111010249	T2SI 3L 1800 HS B B	S-0991
0111010265	T2SI 3L 1800 HS B F	S-0991
0111010258	T2SI 3L 1800 HS F B	S-0991
0111010146	T2SI 3L 1800 HS F F	S-0991
0111010130	T2SI 3L 2800 DD B B	S-0991
0111010123	T2SI 3L 2800 DD B B MA	S-0991
0111010273	T2SI 3L 2800 DD B F	S-0991
0111010162	T2SI 3L 2800 DD F B	S-0991
0111010181	T2SI 3L 2800 DD F B DC	S-0991
0111010174	T2SI 3L 2800 DD F B HS	S-0991
0111010129	T2SI 3L 2800 DD F B MA	S-0991
0111010126	T2SI 3L 2800 DD F F	S-0991
0111010212	T2SI 3L 2800 DD F F DC	S-0991
0111010004	T2SI 3L 2800 DD F F S/SIST ADB S/ML	
0111010299	T2SI 3L 2800 DD FB DC MA SULC	S-991
0111010291	T2SI 3L 2800 DD FF DC MA SULC	S-991
0111010250	T2SI 3L 2800 HS B B	S-0991
0111010266	T2SI 3L 2800 HS B F	S-0991
0111010175	T2SI 3L 2800 HS F B	S-0991
0111010147	T2SI 3L 2800 HS F F	S-0991
0111010435	T2SI 3L 3200 DD F B	S-0991
0111010434	T2SI 3L 3200 DD F F	S-0991
0111010013	T2SI 3L 3600 DD F F	S-0991
0111010031	T2SI 3L 3600 DD BB	S-0991
0111010199	T2SI 4L 2800 DD B B	S-0991
0111010274	T2SI 4L 2800 DD B F	S-0991
0111010128	T2SI 4L 2800 DD F B	S-0991
0111010155	T2SI 4L 2800 DD F F	S-0991
0111010171	T2SI 4L 2800 DD F F MA	S-0991
0111010021	T2SI 4L 2800 DD B B S/SIST ADB	S991
0111010428	T2SI 4L 2800 DD F F S/MARC LINHA	

ATTENTION: IMPORTANT

Marchesan S.A. reserves the right to improve and/or modify the technical features of its products, without obligation to do the same with those products already sold and without prior knowledge of the dealer or the consumer. The photos are only illustrative.



PRODUCTS

0111010429	T2SI 4L 2800 DD F F S/SIST ADB S/ML
0111010300	T2SI 4L 2800 DD FB DC MA SULC S-991
0111010300C	T2SI 4L 2800 DD FB DC MA SULC S-991
0111010019	T2SI 4L 2800 DD FF DC MA SULC AFRIC
0111010292	T2SI 4L 2800 DD FF DC MA SULC S-991
0111010165	T2SI 4L 2800 HS B B S-0991
0111010267	T2SI 4L 2800 HS B F S-0991
0111010259	T2SI 4L 2800 HS F B S-0991
0111010148	T2SI 4L 2800 HS F F S-0991
0111010211	T2SI 4L 3600 F F S/S AD S-0991
0111010284	T2SI 4L 3600 B B S-0991
0111010204	T2SI 4L 3600 DD B B S-0991
0111010124	T2SI 4L 3600 DD B B MA S-0991
0111010275	T2SI 4L 3600 DD B F S-0991
0111010170	T2SI 4L 3600 DD F B S-0991
0111010183	T2SI 4L 3600 DD F B DC S-0991
0111010008	T2SI 4L 3600 DD F B MA S-0991
0111010152	T2SI 4L 3600 DD F F S-0991
0111010152C	T2SI 4L 3600 DD F F S-0991
0111010023	T2SI 4L 3600 DD F F MA S-0991
0111010377	T2SI 4L 3600 DD B B DC S-0991
0111010301	T2SI 4L 3600 DD FB DC MA SULC S-991
0111010007	T2SI 4L 3600 DD FF DC MA S/H S-991
0111010293C	T2SI 4L 3600 DD FF DC MA SULC KENIA S-0991
0111010293	T2SI 4L 3600 DD FF DC MA SULC S-991
0111010208	T2SI 4L 3600 HS B B S-0991
0111010268	T2SI 4L 3600 HS B F S-0991
0111010168	T2SI 4L 3600 HS F B S-0991
0111010149	T2SI 4L 3600 HS F F S-0991
0111010437	T2SI 4L 4200 DD F B S-0991
0111010436	T2SI 4L 4200 DD F F S-0991

ATTENTION: IMPORTANT

Marchesan S.A. reserves the right to improve and/or modify the technical features of its products, without obligation to do the same with those products already sold and without prior knowledge of the dealer or the consumer. The photos are only illustrative.



PRODUCTS

0111010256	T2SI 5L 2800 DD B B	S-0991
0111010276	T2SI 5L 2800 DD B F	S-0991
0111010263	T2SI 5L 2800 DD F B	S-0991
0111010193	T2SI 5L 2800 DD F F	S-0991
0111010302	T2SI 5L 2800 DD FB DC MA SULC	S-991
0111010294	T2SI 5L 2800 DD FF DC MA SULC	S-991
0111010251	T2SI 5L 2800 HS B B	S-0991
0111010269	T2SI 5L 2800 HS B F	S-0991
0111010260	T2SI 5L 2800 HS F B	S-0991
0111010192	T2SI 5L 2800 HS F F	S-0991
0111010189	T2SI 5L 3600 DD B B	S-0991
0111010277	T2SI 5L 3600 DD B F	S-0991
0111010172	T2SI 5L 3600 DD F B	S-0991
0111010156	T2SI 5L 3600 DD F F	S-0991
0111010303	T2SI 5L 3600 DD FB DC MA SULC	S-991
0111010295	T2SI 5L 3600 DD FF DC MA SULC	S-991
0111010032	T2SI 5L 3600 FF S/SIST ADB	S-0991
0111010252	T2SI 5L 3600 HS B B	S-0991
0111010270	T2SI 5L 3600 HS B F	S-0991
0111010261	T2SI 5L 3600 HS F B	S-0991
0111010150	T2SI 5L 3600 HS F F	S-0991
0111010439	T2SI 5L 4200 DD FB DC MA SULC	S-991
0111010062	T2SI 5L 4200 DD FF	S-0991
0111010280	T2SI 6L 3600 FF S/S AD	S-0991
0111010160	T2SI 6L 3600 DD B B	S-0991
0111010278	T2SI 6L 3600 DD B F	S-0991
0111010169	T2SI 6L 3600 DD F B	S-0991
0111010153	T2SI 6L 3600 DD F F	S-0991
0111010438	T2SI 6L 3600 DD F F S/SIST ADB	S/ML
0111010304	T2SI 6L 3600 DD FB DC MA SULC	S-991
0111010296	T2SI 6L 3600 DD FF DC MA SULC	S-991

ATTENTION: IMPORTANT

Marchesan S.A. reserves the right to improve and/or modify the technical features of its products, without obligation to do the same with those products already sold and without prior knowledge of the dealer or the consumer. The photos are only illustrative.



PRODUCTS

0111010253	T2SI 6L 3600 HS B B	S-0991
0111010271	T2SI 6L 3600 HS B F	S-0991
0111010262	T2SI 6L 3600 HS F B	S-0991
0111010151	T2SI 6L 3600 HS F F	S-0991
0111010016	T2SI 6L 4200 DD F F	S-0991
0111010024	T2SI 6L 4200 HS FF	S-0991
0111010027	T2SI 8L 4200 DD F F	S-0991

ATTENTION: IMPORTANT

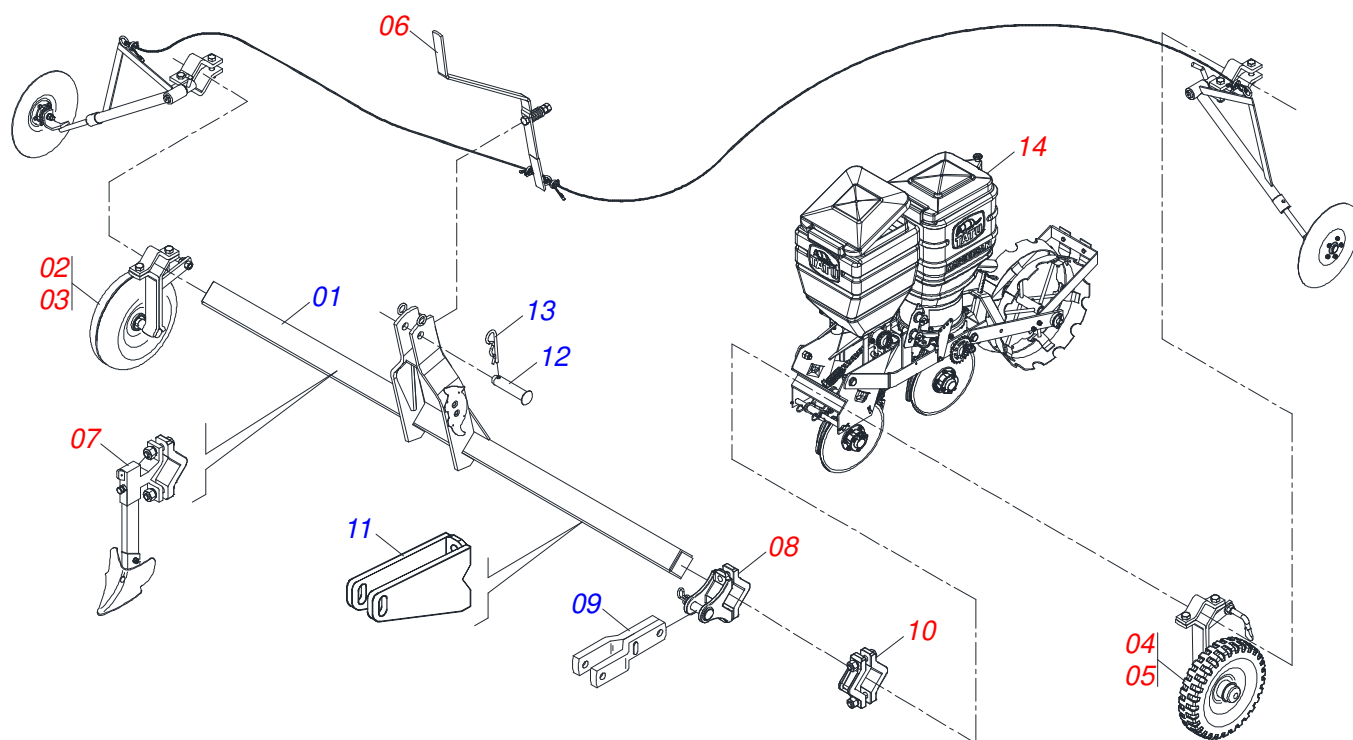
Marchesan S.A. reserves the right to improve and/or modify the technical features of its products, without obligation to do the same with those products already sold and without prior knowledge of the dealer or the consumer. The photos are only illustrative.



MARCHESAN

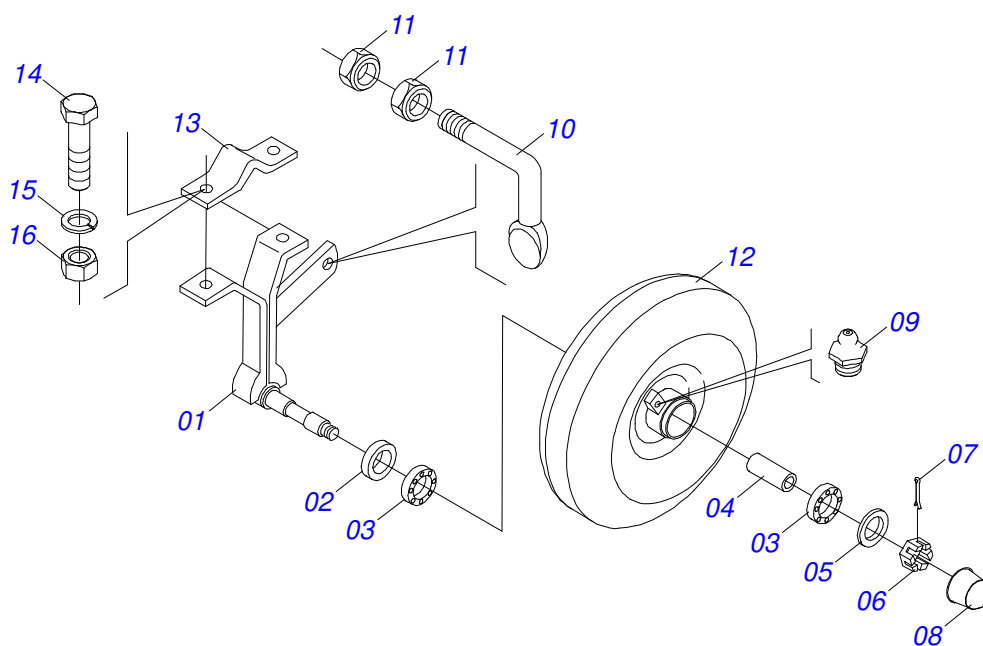
INDEX

0909096213	ASSY FRAME - 02L/03L/04L/05L/06L	1
0501043479	RIGHT BEARING IRON SUSTAINING WHEEL	2
0501043528	LEFT BEARING IRON SUSTAINING WHEEL	3
0501043474	RIGHT RUBBER WHELLS	4
0501043651	LEFT IRON WHEEL	5
0909094971	ROW MARKER ASSY	6
0501044547	8 POINT SUBSOILER	7
0909094972	CLIP HITCH FRAME	8
0909094973	FIXER CARRYING	9
0909096212	ASSY SEED/FERTILIZER ROW	10
0531054217	ROW WITH DOUBLE DISC/IRON WHEEL (PEANUT)	11
0531054219	ROW WITH DOUBLE DISC/RUBBER WHEEL (SOY)	12
0531054108	ROW WITH GRINDER ROD/IRON WHEEL (SOY)	13
0531054211	ROW WITH GRINDER ROD/RUBBER WHEEL (SOY)	14
0909094992	SEMI-ASSEMBLED FRAME	15
0909094993	SUPPORT WITH IRON WHEEL	16
0909094994	DRAWBAR	17
0909090999	FERTILIZER SYSTEM	18
0531053932	SIGMA SEED SYSTEM WITH INDIVIDUAL BOX (PEANUT)	19
0531052812	SIGMA SEED SYSTEM (PEANUT)	20
0531054130	SIGMA SEED SYSTEM WITH INDIVIDUAL BOX (SOY)	21
0531054129	SIGMA SEED SYSTEM (SOY)	22
0511057289	ASSY SEED DEFLECTOR	23
0503063602	SEMI-ASSEMBLED SIGMA INDIVIDUAL SEED BOX	24
0909094995	ADJUSTMENT BAR	25
0909090997	SEED DOUBLE DISC	26
0909091001	FERTILIZER DOUBLE DISC ASSY	27
0909095002	SUPPORT WITH RUBBER WHEEL	28
0501040208	RODA COMPACT RUBBER	29
0909091015	ROD SUBSOILER CORN	30
0909091014	COVER DISC	31
0503063680	SIGMA DISC SET (BEAN)	32
0503063681	SIGMA DISC SET (SORGHUM)	33
0503063682	SIGMA DISC SET (COTTON)	34



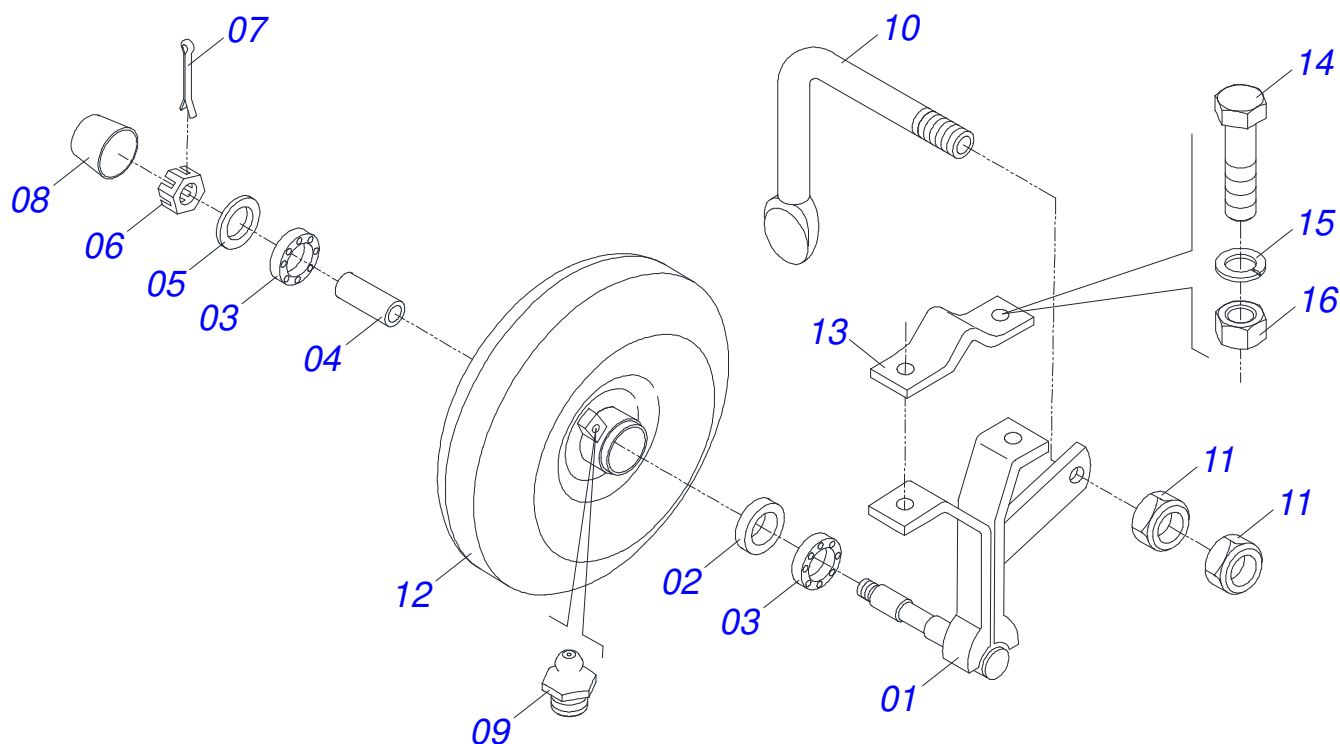
Item	Code	Description	See page	02L	03L	04L	05L	06L
01	0501065187	1800 FRAME		01	01	00	00	00
01.	0501065188	2800 FRAME		01	01	01	01	00
01..	0511061609	3200 FRAME		00	01	01	01	00
01...	0501065189	3600 FRAME		01	01	01	01	01
01....	0501068414	4200 FRAME		00	00	01	01	01
02	0501043479	RIGHT BEARING IRON SUSTAINING WHEEL	2	01	01	01	01	01
03	0501043528	LEFT BEARING IRON SUSTAINING WHEEL	3	01	01	01	01	01
04	0501043474	RIGHT RUBBER WHELLS	4	01	01	01	01	01
05	0501043651	LEFT IRON WHEEL	5	01	01	01	01	01
06	0909094971	ROW MARKER ASSY	6	01	01	01	01	01
07	0501044547	8 POINT SUBSOILER	7	01	01	01	01	01
08	0909094972	CLIP HITCH FRAME	8	02	02	02	02	02
09	0501067680	DRAWBAR SUPPLEMENT		02	02	02	02	02
10	0909094973	FIXER CARRYING	9	02	02	02	02	02
11	0501067684	HITCH		02	02	02	02	02
12	0521010578	COUPLING SHAFT		01	01	01	01	01
13	0503031035	HAIR PIN		01	01	01	01	01
14	0909096212	ASSY SEED/FERTILIZER ROW	10	02	03	04	05	06

RIGHT BEARING IRON SUSTAINING WHEEL



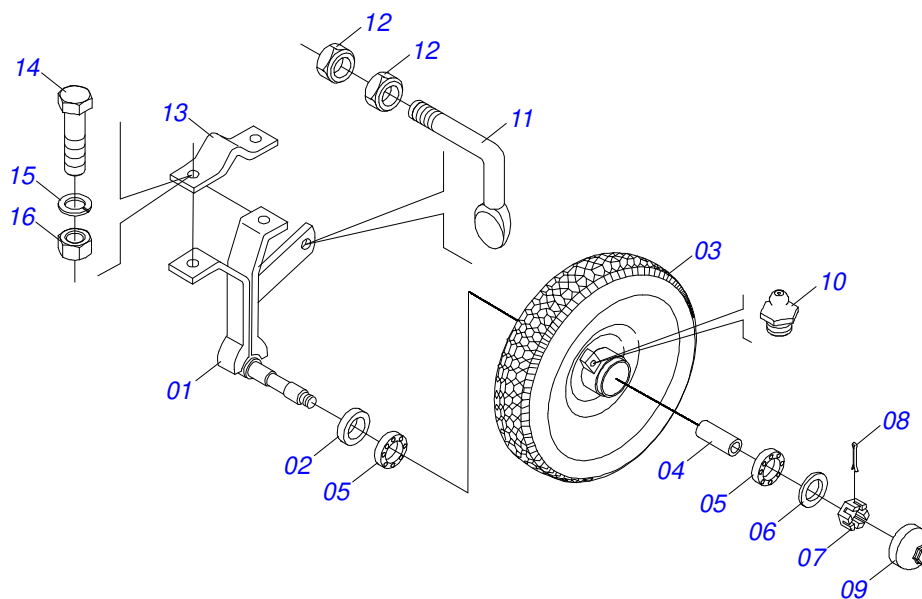
Item	Code	Description	See page	QT
01	0501068833	RH SUPPORT WHEELS		01
02	0503010268	00262-B SEAL		01
03	0503010269	6204 BALL BEARING		02
04	0521010492	SPACING SLEEVE		01
05	0511017305	FLAT WASHER		01
06	0503030282	3/4" CASTLE NUT		01
07	0503010018	5/32 X 1-1/2 COTTERPIN		01
08	0521010380	PROTECTIVE COVER		01
09	0503010002	1800 GREASE FITTING		01
10	0501016153	DEPTH WHEEL SCRAPER		01
11	0503010013	5/8" NUT		02
12	0501063340	WHEELS		01
13	0502010175	HITCH CLAMP		01
14	0501011541	5/8" X 3" BOLT		02
15	0503010027	5/8" SPRING WASHER		02
16	0503010013	5/8" NUT		02

LEFT BEARING IRON SUSTAINING WHEEL



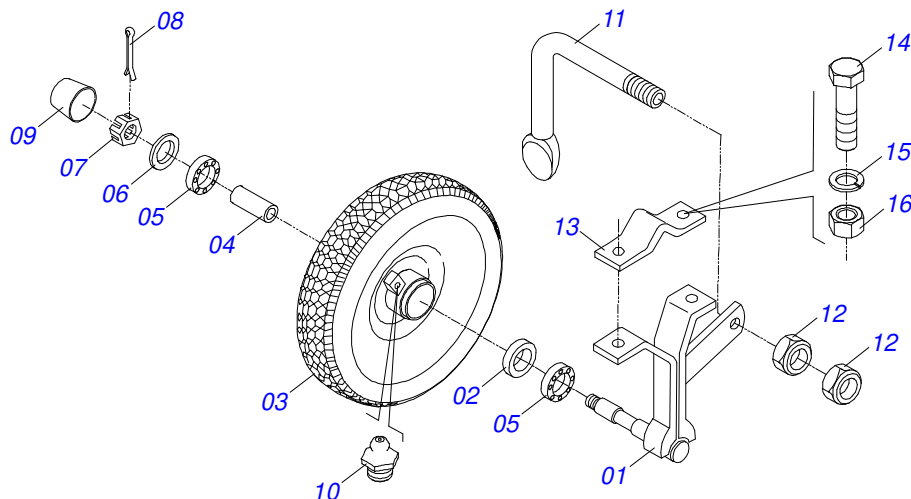
Item	Code	Description	See page	QT
01	0501068834	LH SUPPORT WHEELS	01	01
02	0503010268	00262-B SEAL	01	01
03	0503010269	6204 BALL BEARING	02	02
04	0521010492	SPACING SLEEVE	01	01
05	0511017305	FLAT WASHER	01	01
06	0503030282	3/4" CASTLE NUT	01	01
07	0503010018	5/32 X 1-1/2 COTTERPIN	01	01
08	0521010380	PROTECTIVE COVER	01	01
09	0503010002	1800 GREASE FITTING	01	01
10	0501016153	DEPTH WHEEL SCRAPER	01	01
11	0503010013	5/8" NUT	02	02
12	0501063340	WHEELS	01	01
13	0502010175	HITCH CLAMP	01	01
14	0501011541	5/8" X 3" BOLT	02	02
15	0503010027	5/8" SPRING WASHER	02	02
16	0503010013	5/8" NUT	02	02

RIGHT RUBBER WHEELS



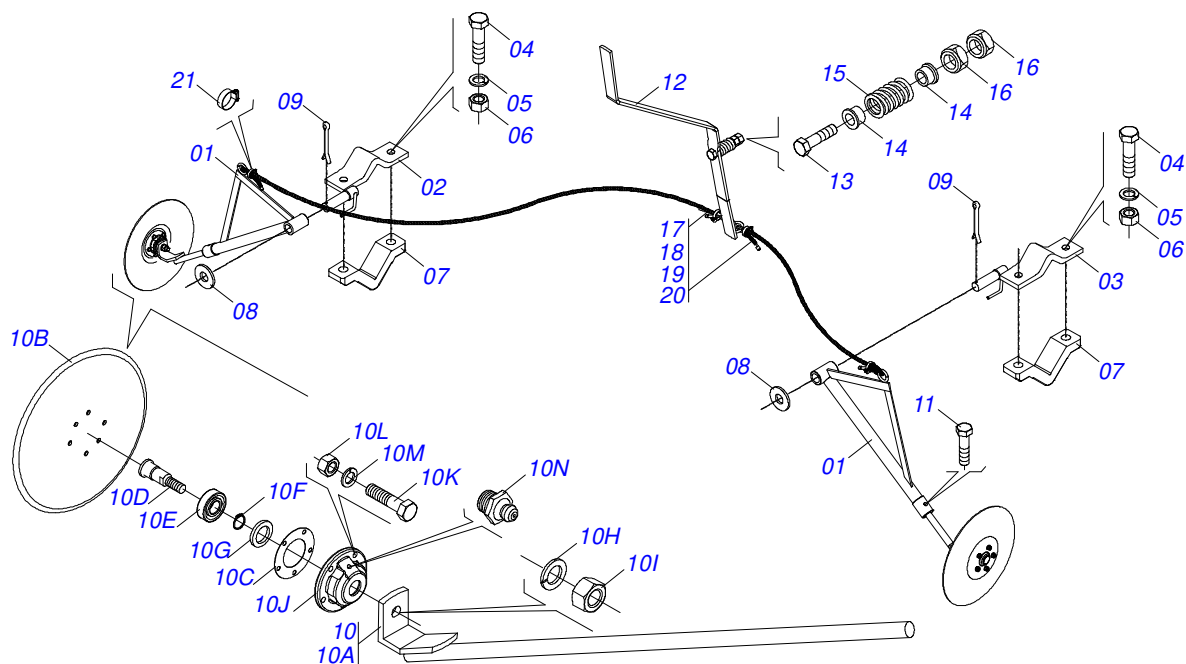
Item	Code	Description	See page	QT
01	0501068833	RH SUPPORT WHEELS		01
02	0503010268	00262-B SEAL		01
03	0503060014	13.78" X 8 WHEEL ASSY		01
04	0521010492	SPACING SLEEVE		01
05	0503010269	6204 BALL BEARING		02
06	0511017305	FLAT WASHER		01
07	0503030282	3/4" CASTLE NUT		01
08	0503010018	5/32 X 1-1/2 COTTERPIN		01
09	0502020594	PROTECCION COVER		01
10	0503010002	1800 GREASE FITTING		01
11	0501016153	DEPTH WHEEL SCRAPER		01
12	0503010013	5/8" NUT		02
13	0502010175	HITCH CLAMP		01
14	0501011541	5/8" X 3" BOLT		02
15	0503010027	5/8" SPRING WASHER		02
16	0503010013	5/8" NUT		02

LEFT IRON WHEEL



Item	Code	Description	See page	QT
01	0501068834	LH SUPPORT WHEELS		01
02	0503010268	00262-B SEAL		01
03	0503060014	13.78" X 8 WHEEL ASSY		01
04	0521010492	SPACING SLEEVE		01
05	0503010269	6204 BALL BEARING		02
06	0511017305	FLAT WASHER		01
07	0503030282	3/4" CASTLE NUT		01
08	0503010018	5/32 X 1-1/2 COTTERPIN		01
09	0502020594	PROTECCION COVER		01
10	0503010002	1800 GREASE FITTING		01
11	0501016153	DEPTH WHEEL SCRAPER		01
12	0503010013	5/8" NUT		02
13	0502010175	HITCH CLAMP		01
14	0501011541	5/8" X 3" BOLT		02
15	0503010027	5/8" SPRING WASHER		02
16	0503010013	5/8" NUT		02

ROW MARKER ASSY



Item	Code	Description	See page	1800	2800	3200	3600	4200
01	0501065205	SMALLER ROW MARKER SUPPORT		02	02	02	02	02
02	0501065193	RH ROW MARKER FIXER		01	01	01	01	01
03	0501065194	LH ROW MARKER FIXER		01	01	01	01	01
04	0501011541	5/8" X 3" BOLT		04	04	04	04	04
05	0503010027	5/8" SPRING WASHER		04	04	04	04	04
06	0503010013	5/8" NUT		04	04	04	04	04
07	0502010175	HITCH CLAMP		02	02	02	02	02
08	0501011445	FLAT WASHER		02	02	02	02	02
09	0503010018	5/32 X 1-1/2 COTTERPIN		02	02	02	02	02
10	0501050393	ROW MARKER ARM		02	02	02	02	02
10A	0501065319	ROW MARKER DISC SUPPORT		02	02	02	02	02
10B	0601013504	12" X 3" PLAIN DISC BLADE		02	02	02	02	02
10C	0503030143	3.3" X 1.9" X 0.1" JOINT		02	02	02	02	02
10D	0501012934	COVER DISC AXLE		02	02	02	02	02
10E	0503010269	6204 BALL BEARING		02	02	02	02	02
10F	0503010302	501019 SEAL RING		02	02	02	02	02
10G	0503010272	SEAL 00715-BA		02	02	02	02	02
10H	0503011440	SPRING WASHER		02	02	02	02	02
10I	0503010060	1/2" NUT		02	02	02	02	02
10J	0502020600	MARKER ARM DISC HUB		02	02	02	02	02
10K	0503010282	1/4" X 3/4" BOLT		02	02	02	02	02
10L	0503011441	SPRING WASHER		02	02	02	02	02
10M	0503010144	1/4" NUT		04	04	04	04	04
10N	0503010002	1800 GREASE FITTING		02	02	02	02	02
11	0503010834	1/2 X 1 BOLT		02	02	02	02	02
12	0501065196	ROW MARKER LEVER		01	01	01	01	01
13	0503010479	BOLT		01	01	01	01	01
14	0501016231	SPRING GUIDE		02	02	02	02	02
15	0503030479	1.65"X0,2"X1.18" COMPRESSION SPRING		01	01	01	01	01
16	0503010060	1/2" NUT		02	02	02	02	02
17	0511010369	3/8" X 74.80" LEVER ROPE		02	00	00	00	00



T2SI

(FROM 04/2022)

Page 6

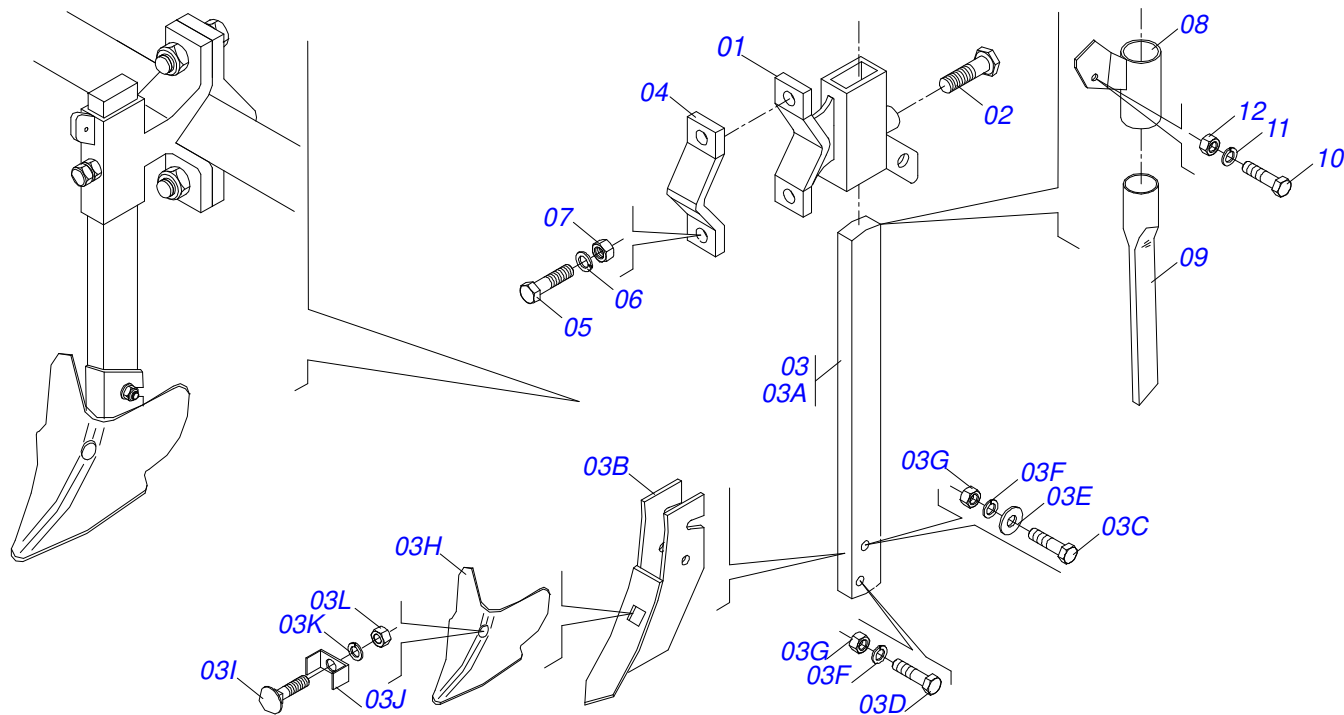
ROW MARKER ASSY

0909094971

Item	Code	Description	See page	1800	2800	3200	3600	4200
18	0511010364	3/8" X 74.80" LEVER ROPE		01	01	00	00	00
19	0511010365	ROPE		00	00	01	00	00
20	0511010366	ROPE		00	00	00	01	01
21	0503010296	CLAMP		04	04	04	04	04

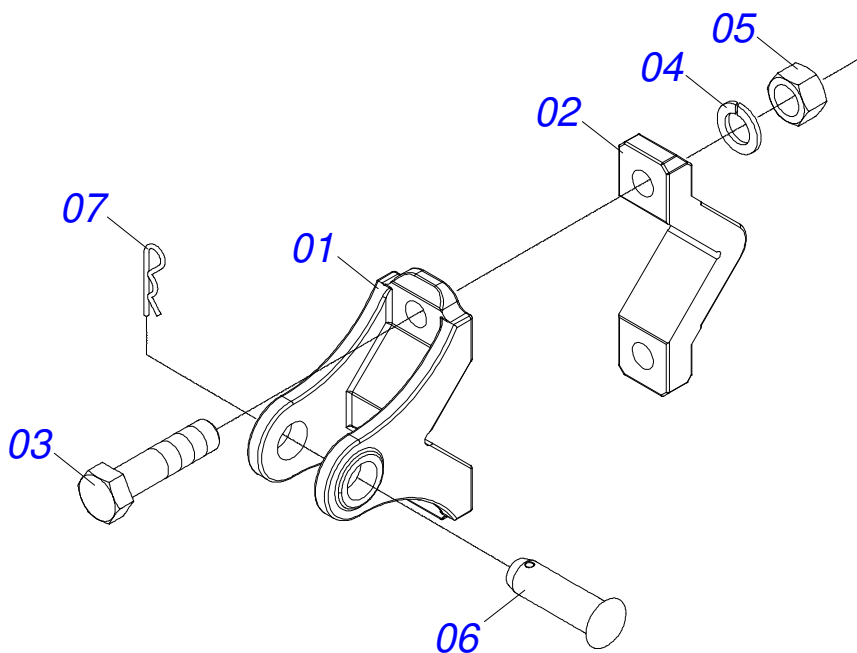
8 POINT SUBSOILER

0501044547

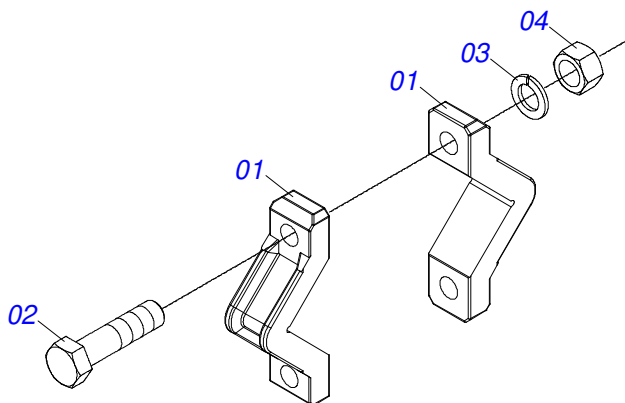


Item	Code	Description	See page	2L	3L	4L	5L	6L
00	0501044547	8 POINT SUBSOILER	7	02	03	04	05	06
01	0502010798	SOCKET SUBSOILER SUPPORT		02	03	04	05	06
02	0501010098	3/4" UNC BOLT		02	03	04	05	06
03	0501043477	FERTILIZER SUBSOILER WING SPINDLE		02	03	04	05	06
03A	0501011025	SUBSOILER SPINDLE		02	03	04	05	06
03B	0501065309	POINT SUBSOILER		02	03	04	05	06
03C	0501011028	1/2" X 2-1/4" BOLT		02	03	04	05	06
03D	0503010740	BOLT 1/2 UNC X 2 CS G.5 ZN		02	03	04	05	06
03E	0501010937	13.5 X 28 X 3 FLAT WASHER		02	03	04	05	06
03F	0503010019	1/2" SPRING WASHER		02	03	04	05	06
03G	0503010060	1/2" NUT		02	03	04	05	06
03H	0626091001	8" POINT SUBSOILER		02	03	04	05	06
03I	0501011190	5/8" X 3-3/4" BOLT		02	03	04	05	06
03J	0501011026	FIXER		02	03	04	05	06
03K	0503010027	5/8" SPRING WASHER		02	03	04	05	06
03L	0503010013	5/8" NUT		02	03	04	05	06
04	0502010175	HITCH CLAMP		02	03	04	05	06
05	0503010797	3/4" X 4" BOLT		02	03	04	05	06
06	0503010023	3/4" SPRING WASHER		02	03	04	05	06
07	0503010014	3/4" NUT		02	03	04	05	06
08	0501065200	SOCKET FASTENER SUPPORT		02	03	04	05	06
09	0503030432	FERTILIZER SOCKET		02	03	04	05	06
10	0503010237	3/8" X 1" BOLT		02	03	04	05	06
11	0503010025	3/8" SPRING WASHER		02	03	04	05	06
12	0503010026	3/8" NUT		02	03	04	05	06

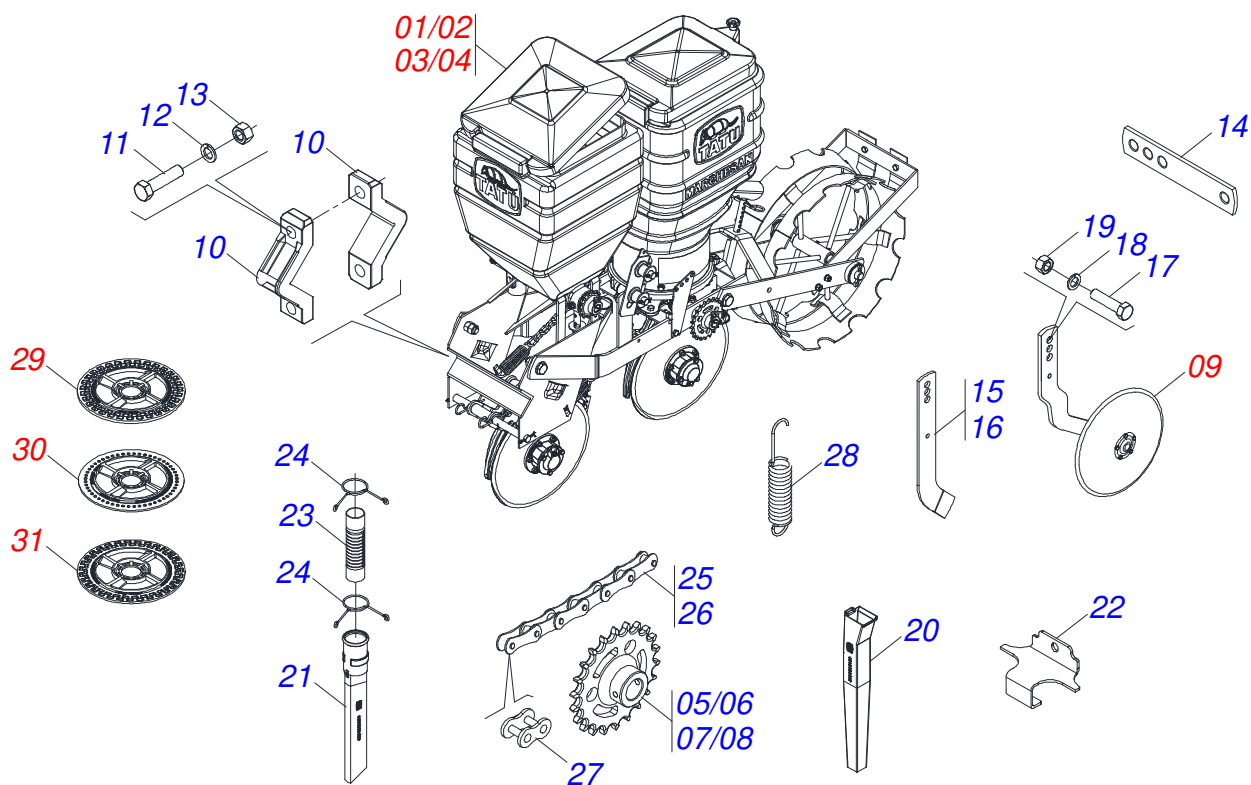
CLIP HITCH FRAME



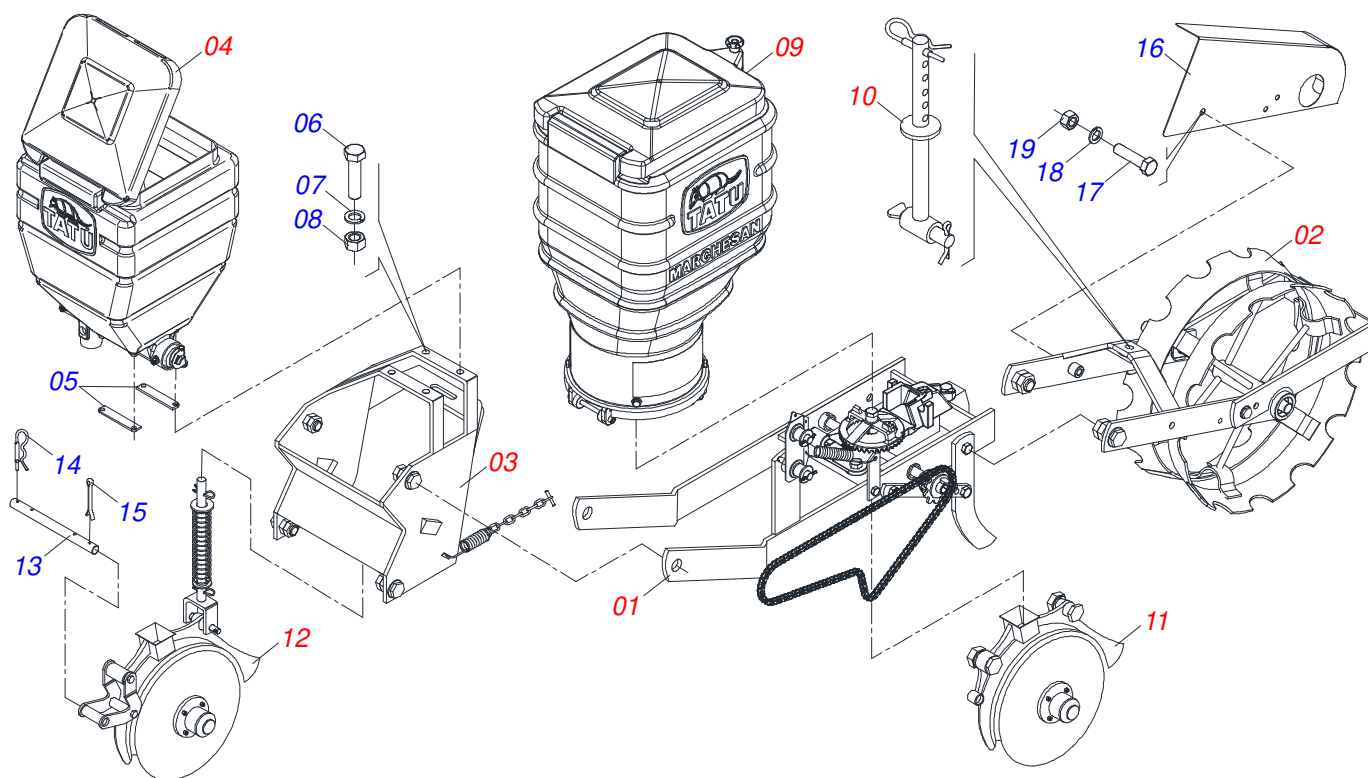
Item	Code	Description	See page	QT
01	0502011204	FRAME HITCH		02
02	0502010175	HITCH CLAMP		02
03	0503010797	3/4" X 4" BOLT		04
04	0503010023	3/4" SPRING WASHER		04
05	0503010014	3/4" NUT		04
06	0521010595	1.1" X 4.3" COUPLING SHAFT		02
07	0503031035	HAIR PIN		02



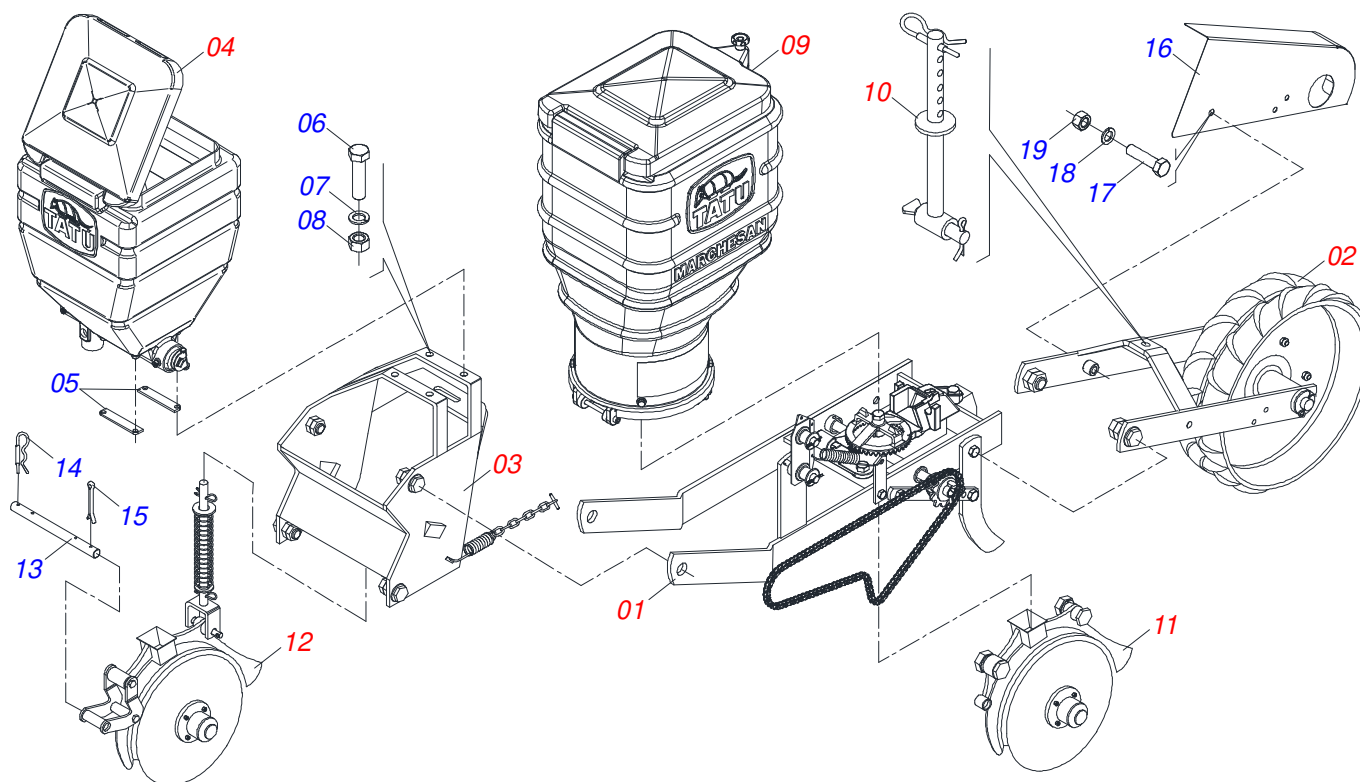
Item	Code	Description	See page	QT
01	0502010175	HITCH CLAMP		01
02	0503010797	3/4" X 4" BOLT		02
03	0503010023	3/4" SPRING WASHER		02
04	0503010014	3/4" NUT		02



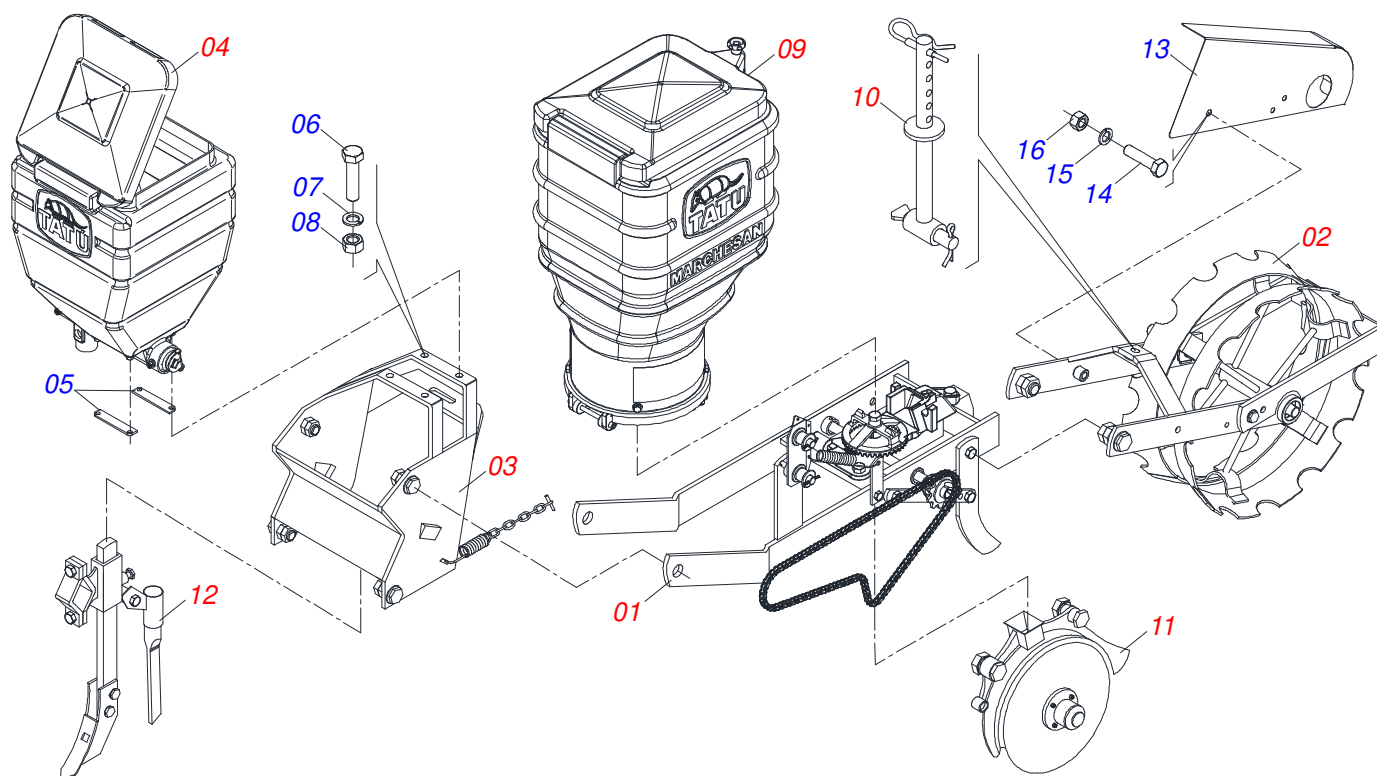
Item	Code	Description	See page	QT
01	0531054217	ROW WITH DOUBLE DISC/IRON WHEEL (PEANUT)	11	01
02	0531054219	ROW WITH DOUBLE DISC/RUBBER WHEEL (SOY)	12	01
03	0531054108	ROW WITH GRINDER ROD/IRON WHEEL (SOY)	13	01
04	0531054211	ROW WITH GRINDER ROD/RUBBER WHEEL (SOY)	14	01
05	0502011346	18Z GEAR		01
06	0502011353	22Z GEAR		01
07	0502011355	26Z GEAR		01
08	0502011359	30Z GEAR		01
09	0909091014	COVER DISC	31	01
10	0502010175	HITCH CLAMP		02
11	0503010797	3/4" X 4" BOLT		02
12	0503010023	3/4" SPRING WASHER		02
13	0503010014	3/4" NUT		02
14	0511010673	FIXER REGULATOR COVER SPINDLE		02
15	0521010763	SEED RIGHT HEDGER		01
16	0521010764	SEED LEFT HEDGER		01
17	0503810358	5/16" X 7/8" UNC BOLT		04
18	0503011444	SPRING WASHER		04
19	0503810337	5/16 UNC NUT		04
20	0503030481	SEED SOCKET		01
21	0503030483	FERTILIZER SOCKET		01
22	0561011813	SOCKET LOCK		01
23	0503030645	2 X 2 X 225 HOSE		01
24	0503031076	2" HOSE CLAMP		02
25	0503011871	50-1 CHAIN X 99 LINK + REDUCTION		02
26	0503012792	50-1 CHAIN X 2 LINK		02
27	0503010543	AMENDMENT WITH LOCK		02
28	0503030242	0.8" X 4.7" X 0.08" TRACTION SPRING		02
29	0503063680	SIGMA DISC SET (BEAN)	32	01
30	0503063681	SIGMA DISC SET (SORGHUM)	33	01
31	0503063682	SIGMA DISC SET (COTTON)	34	01



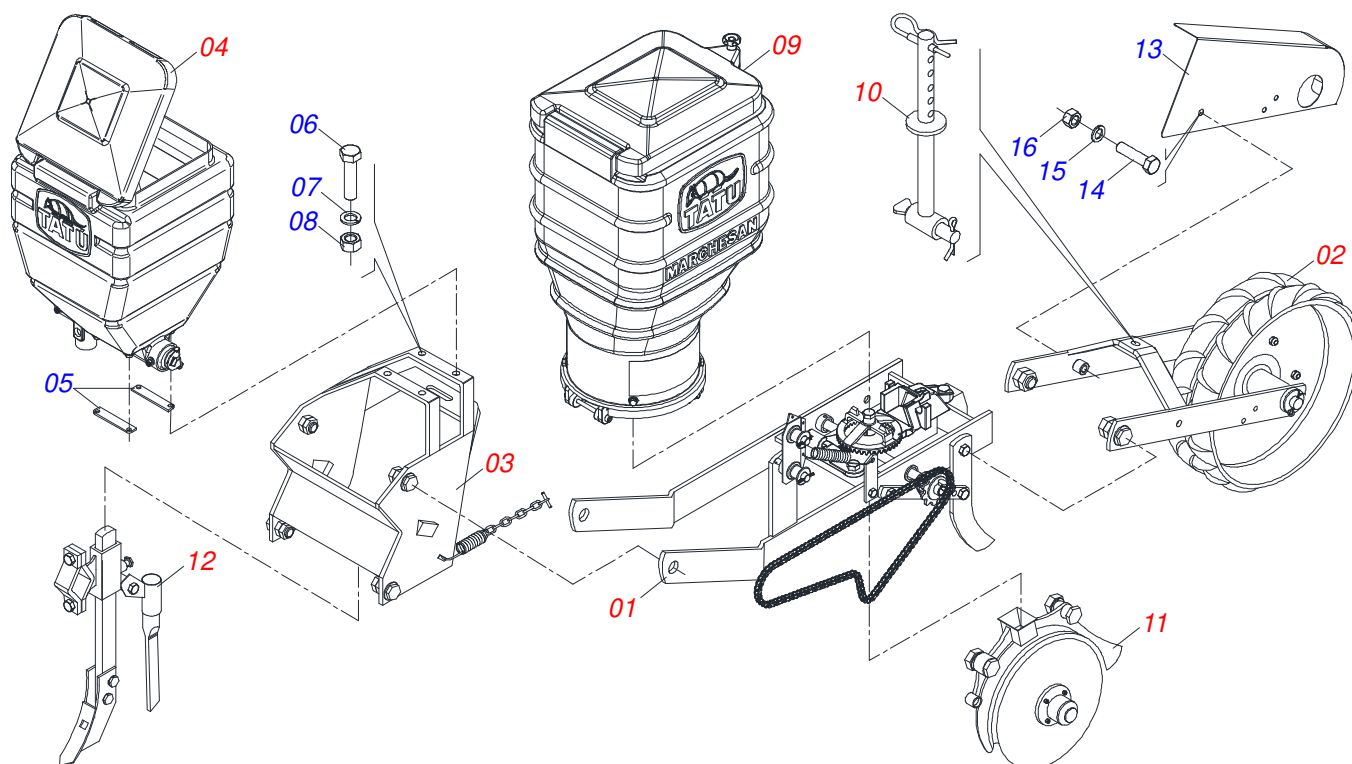
Item	Code	Description	See page	QT
01	0909094992	SEMI-ASSEMBLED FRAME	15	01
02	0909094993	SUPPORT WITH IRON WHEEL	16	01
03	0909094994	DRAWBAR	17	01
04	0909090999	FERTILIZER SYSTEM	18	01
05	0511017073	12,01 X 2" X 0,25" PLATE		01
06	0503010751	C3/8" X 1.1/4" HEX BOLT G.5		04
07	0503010025	3/8" SPRING WASHER		04
08	0503010026	3/8" NUT		04
09	0531053932	SIGMA SEED SYSTEM WITH INDIVIDUAL BOX (PEANUT)	19	01
10	0909094995	ADJUSTMENT BAR	25	01
11	0909090997	SEED DOUBLE DISC	26	01
12	0909091001	FERTILIZER DOUBLE DISC ASSY	27	01
13	0511010672	0.77" X 11.02" AXLE		01
14	0503030012	HAIR PIN		02
15	0503010274	5/32" X 2" COTTERPIN		02
16	0511016447	CHAIN COVER		01
17	0503010237	3/8" X 1" BOLT		04
18	0503011443	3/8" SPRING WASHER		04
19	0503010026	3/8" NUT		04



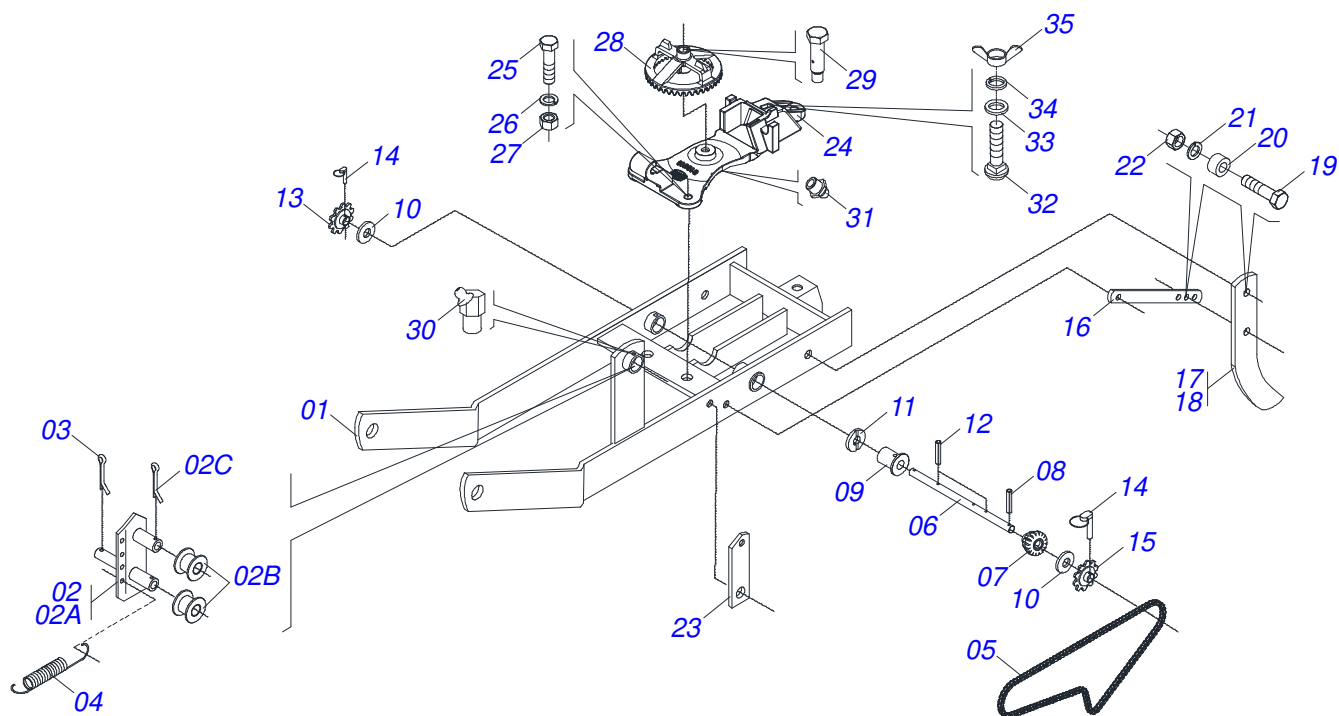
Item	Code	Description	See page	QT
01	0909094992	SEMI-ASSEMBLED FRAME	15	01
02	0909095002	SUPPORT WITH RUBBER WHEEL	28	01
03	0909094994	DRAWBAR	17	01
04	0909090999	FERTILIZER SYSTEM	18	01
05	0511017073	12,01 X 2" X 0,25" PLATE		01
06	0503010751	C3/8" X 1.1/4" HEX BOLT G.5		04
07	0503010025	3/8" SPRING WASHER		04
08	0503010026	3/8" NUT		04
09	0531054130	SIGMA SEED SYSTEM WITH INDIVIDUAL BOX 21 (SOY)		01
10	0909094995	ADJUSTMENT BAR	25	01
11	0909090997	SEED DOUBLE DISC	26	01
12	0909091001	FERTILIZER DOUBLE DISC ASSY	27	01
13	0511010672	0.77" X 11.02" AXLE		01
14	0503030012	HAIR PIN		02
15	0503010274	5/32" X 2" COTTERPIN		02
16	0511016447	CHAIN COVER		01
17	0503010237	3/8" X 1" BOLT		04
18	0503011443	3/8" SPRING WASHER		04
19	0503010026	3/8" NUT		04



Item	Code	Description	See page	QT
01	0909094992	SEMI-ASSEMBLED FRAME	15	01
02	0909094993	SUPPORT WITH IRON WHEEL	16	01
03	0909094994	DRAWBAR	17	01
04	0909090999	FERTILIZER SYSTEM	18	01
05	0511017073	12,01 X 2" X 0,25" PLATE		01
06	0503010751	C3/8" X 1.1/4" HEX BOLT G.5		04
07	0503010025	3/8" SPRING WASHER		04
08	0503010026	3/8" NUT		04
09	0531054130	SIGMA SEED SYSTEM WITH INDIVIDUAL BOX 21 (SOY)		01
10	0909094995	ADJUSTMENT BAR	25	01
11	0909090997	SEED DOUBLE DISC	26	01
12	0909091015	ROD SUBSOILER CORN	30	01
13	0511016447	CHAIN COVER		01
14	0503010237	3/8" X 1" BOLT		04
15	0503011443	3/8" SPRING WASHER		04
16	0503010026	3/8" NUT		04



Item	Code	Description	See page	QT
01	0909094992	SEMI-ASSEMBLED FRAME	15	01
02	0909095002	SUPPORT WITH RUBBER WHEEL	28	01
03	0909094994	DRAWBAR	17	01
04	0909090990	FERTILIZER SEED ROW ASSY		01
05	0511017073	12,01 X 2" X 0,25" PLATE		01
06	0503010751	C3/8" X 1.1/4" HEX BOLT G.5		04
07	0503010025	3/8" SPRING WASHER		04
08	0503010026	3/8" NUT		04
09	0531054130	SIGMA SEED SYSTEM WITH INDIVIDUAL BOX 21 (SOY)		01
10	0909094995	ADJUSTMENT BAR	25	01
11	0909090997	SEED DOUBLE DISC	26	01
12	0909091015	ROD SUBSOILER CORN	30	01
13	0511016447	CHAIN COVER		01
14	0503010237	3/8" X 1" BOLT		04
15	0503011443	3/8" SPRING WASHER		04
16	0503010026	3/8" NUT		04



Item	Code	Description	See page	QT
01	0501065321	SEMI-FRAME		01
02	0501047263	CHAIN TENSIONER ASSY		02
02A	0501065301	CHAIN TENSIONER		01
02B	0503030402	PULLEY		02
02C	0503010297	5/32" X 1.1/4" COTTER PIN		02
03	0503010018	5/32 X 1-1/2 COTTERPIN		02
04	0503030099	1.3" X 4.9" 0.2" TRACTION SPRING		02
05	0501064886	5/16" CHAIN X 8 LINK		02
06	0501016220	SEED SISTEM AXLE		01
07	0502010528	16Z CONICAL GEAR		01
08	0503010292	0.2" X 1.6" SPRING PIN		03
09	0502020178	AXLE SEED GUIDE BUSHING		02
10	0501011168	WASHER SPACER		02
11	0502010403	LOCKWASHER		02
12	0503010756	0.2" X 2.4" SPRING PIN		02
13	0502011346	18Z GEAR		01
14	0503030119	LOCK PIN		02
15	0502011353	22Z GEAR		01
16	0511010673	FIXER REGULATOR COVER SPINDLE		02
17	0511010664	RH COVER SPINDLE		01
18	0511010665	LH COVER SPINDLE		01
19	0511017958	5/8" X 1.9" RIGHT BOLT		04
20	0511014513	1" X 0.6" X 0.4" ARTUCULAT SLEEVE		04
21	0503010027	5/8" SPRING WASHER		04
22	0503010013	5/8" NUT		04
23	0511010768	TENSIONER SPRING		01
24	0502011211	SEED BOX FIXING BASE		01
25	0503010751	C3/8" X 1.1/4" HEX BOLT G.5		03
26	0503011443	3/8" SPRING WASHER		03
27	0503010026	3/8" NUT		03
28	0502011419	40Z CONICAL GEAR		01



T2SI

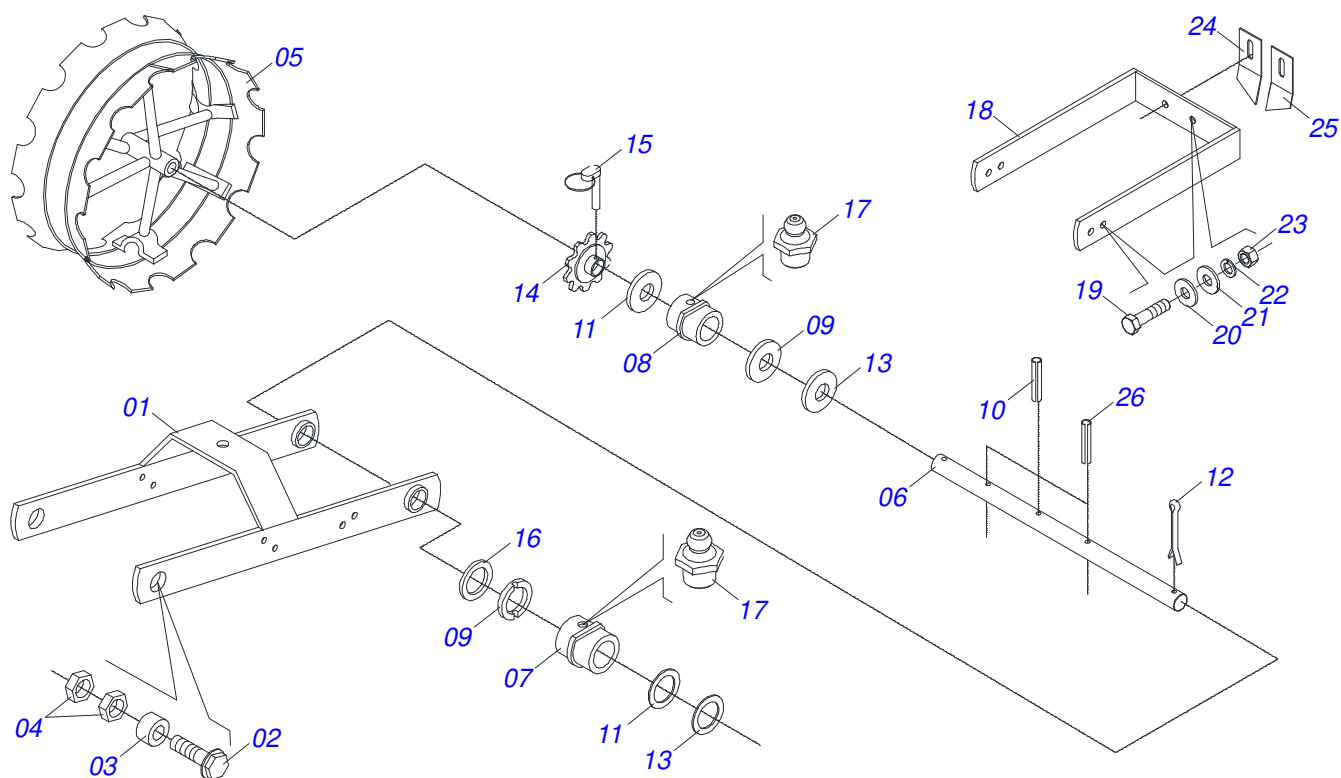
(FROM 04/2022)

Page 15

SEMI-ASSEMBLED FRAME

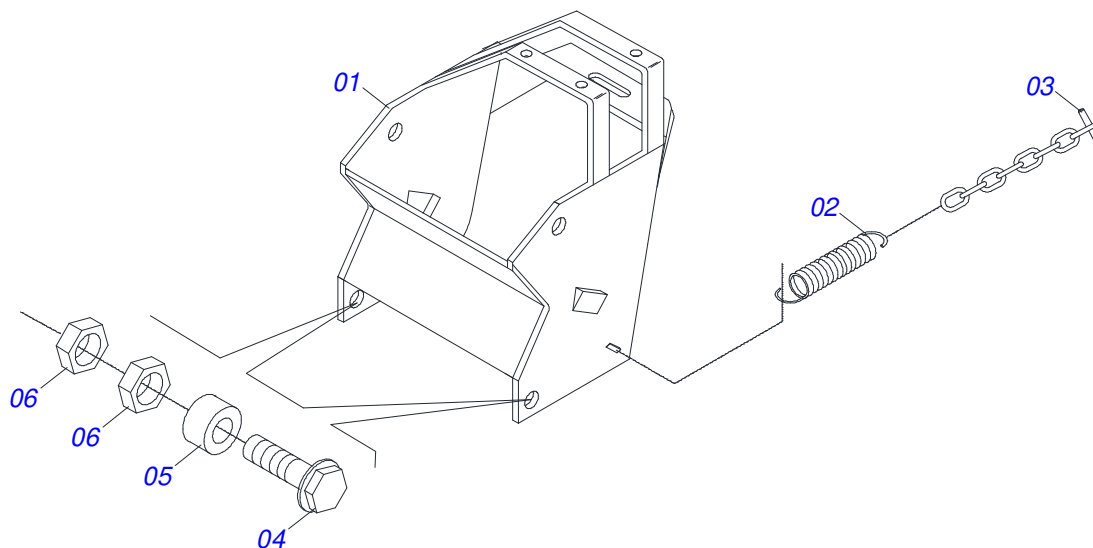
0909094992

Item	Code	Description	See page	QT
29	0511018700	AXLE		01
30	0503010003	1845 GREASE FITTING		02
31	0503010691	1/4" GREASE FITTING		01
32	0501011752	5/16" X 3" BOLT		01
33	0501010694	FLAT WASHER		01
34	0503010179	LOCK WASHER		01
35	0503010499	5/16" UNC BUTTERFLY NUT		01

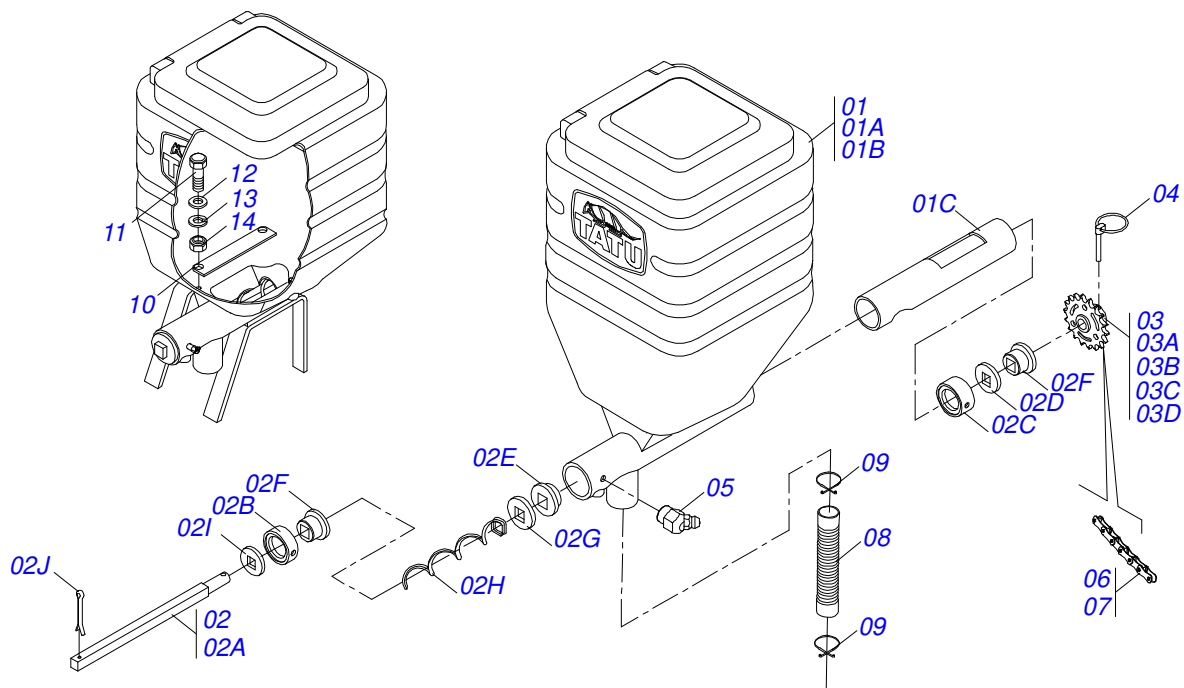


Item	Code	Description	See page	QT
01	0501065300	PRESS WHEEL SUPPORT		01
02	0511017958	5/8" X 1.9" RIGHT BOLT		02
03	0511014513	1" X 0.6" X 0.4" ARTICULAT SLEEVE		02
04	0503010013	5/8" NUT		02
05	0501061425	IRON PRESS WHEEL		01
06	0501010871	PRESS WHEEL AXLE		01
07	0502020257	LH PRESS WHEEL BUSHING GUIDE AXLE		01
08	0502020258	RH PRESS WHEEL BUSHING GUIDE AXLE		01
09	0502010478	LOCKWASHER		02
10	0503010301	0.3" X 1.8" SPRING PIN		01
11	0501011467	FLAT WASHER		02
12	0503010571	1/4" X 1.1/2 COTTERPIN		01
13	0501011168	WASHER SPACER		02
14	0502011353	22Z GEAR		02
15	0503030119	LOCK PIN		02
16	0501011170	WASHER SPACER		02
17	0503010002	1800 GREASE FITTING		02
18	0501063310	SCRAPER FIXER SUPPORT		01
19	0503011087	3/8" X 1" BOLT		03
20	0501010984	FLAT WASHER		03
21	0501010984	FLAT WASHER		03
22	0503011443	3/8" SPRING WASHER		03
23	0503010026	3/8" NUT		03
24	0501011033	RH PRESS WHEELS SCRAPER		01
25	0501011034	RH PRESS WHEELS SCRAPER		01
26	0503010292	0.2" X 1.6" SPRING PIN		01

DRAWBAR



Item	Code	Description	See page	QT
01	0501065299	SEMI-FRAME DRAWBAR		01
02	0503030099	1.3" X 4.9" 0.2" TRACTION SPRING		02
03	0501064886	5/16" CHAIN X 8 LINK		02
04	0511017958	5/8" X 1.9" RIGHT BOLT		04
05	0511014513	1" X 0.6" X 0.4" ARTICULAT SLEEVE		04
06	0503010013	5/8" NUT		08



Item	Code	Description	See page	QT
00	0501051765	BOX FERTILIZER		01
01	0503031260	DEPOSIT FERTILIZER WITH TUBE PVC		
01A	0501110281	DEPOSIT FERTILIZER WITH TUBE PVC		01
01B	0503031264	SEED/FERTILIZER BOX COVER		01
01C	0521010945	FERTILIZER DISTRIBUTOR TUBE		01
02	0501053058	DISTRIBUTOR FERTILIZER AXLE ASSY		01
02A	0511010388	DISTRIBUTOR FERTILIZER AXLE		01
02B	0521010946	DISTRIBUTOR FERTIL LARGER SLEEVE		01
02C	0521010947	BUJE SMALLER DISTRIBUIDOR ABONO		01
02D	0501010637	FLAT WASHER		01
02E	0503030303	SUPPORT WASHER		01
02F	0503030275	AGRICULTURAL BEARING		02
02G	0501013774	GREASE SEAL		01
02H	0503031164	RIGHT HELICOID CONDUCTOR		01
02I	0511017137	FLAT WASHER		01
02J	0503010571	1/4" X 1.1/2 COTTERPIN		01
03	0502011335	14Z GEAR		01
03A	0502011342	16Z GEAR		01
03B	0502011346	18Z GEAR		01
03C	0502011353	22Z GEAR		01
03D	0502011359	30Z GEAR		01
04	0503030085	LOCK PIN		01
05	0503012102	CREASE FITTING		02
06	0503010304	50-1 X 85 CHAIN LINK + MENDING		01
07	0503010912	50-1 X 97 CHAIN LINK + MENDING		01
08	0503030645	2 X 2 X 225 HOSE		01
09	0503031076	2" HOSE CLAMP		02
10	0511017073	12,01 X 2" X 0,25" PLATE		02
11	0503010358	5/16" X 5/8" BOLT		04
12	0501010694	FLAT WASHER		04
13	0503010179	LOCK WASHER		04



T2SI

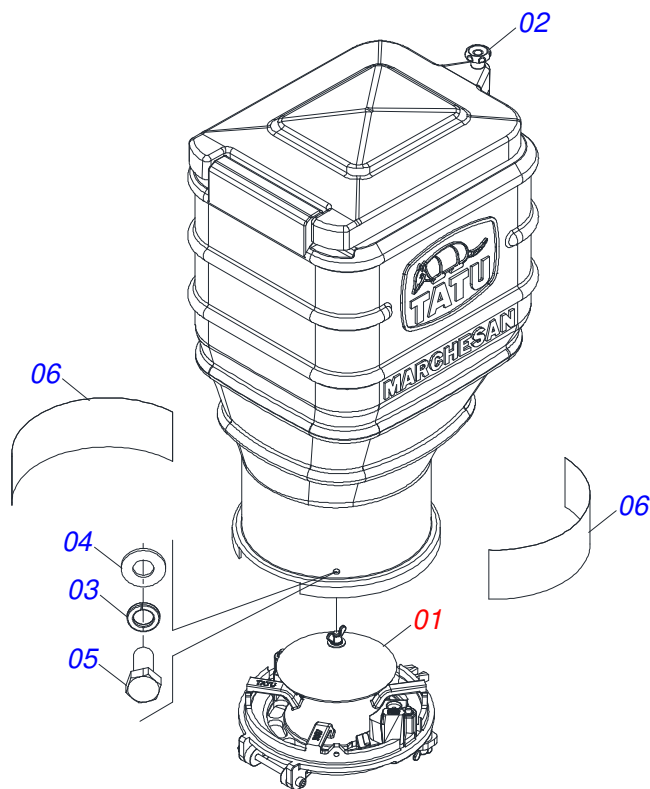
(FROM 04/2022)

Page 18

FERTILIZER SYSTEM

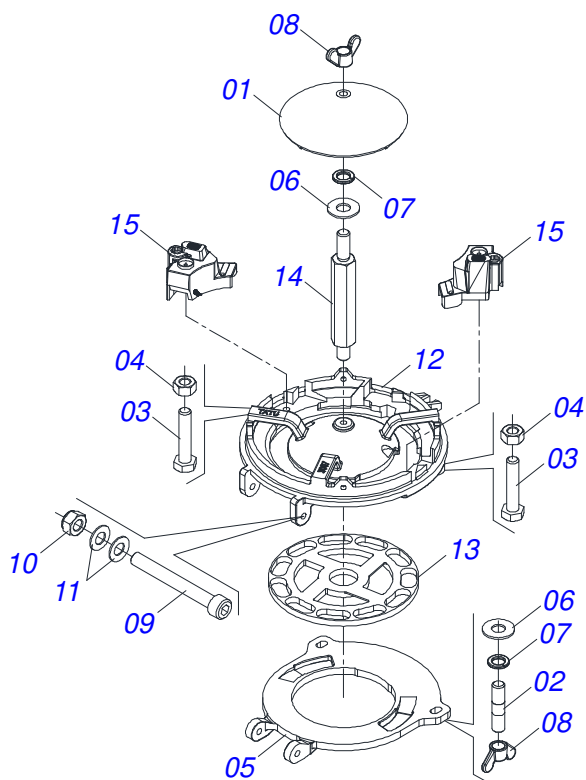
0909090999

Item	Code	Description	See page	QT
14	0503010337	5/16" NUT		04

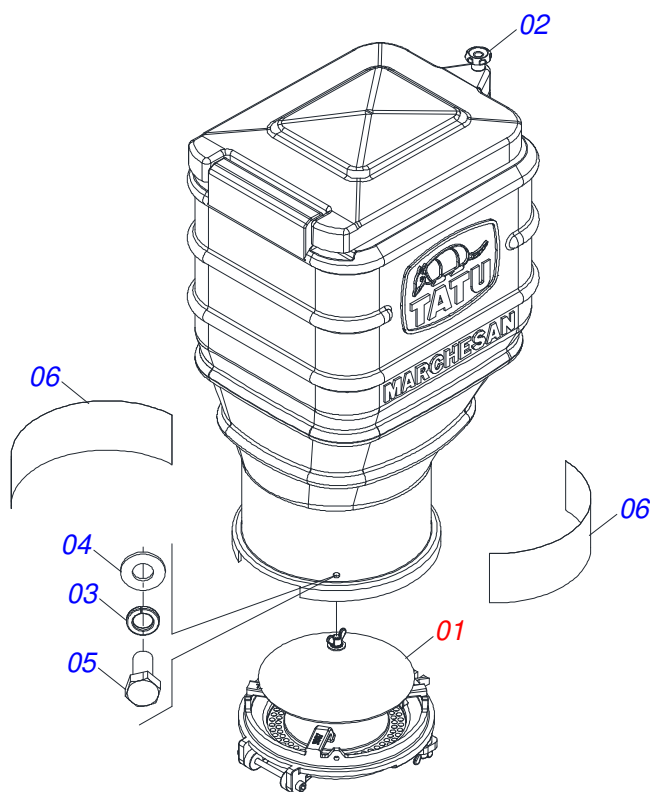


Item	Code	Description	See page	QT
01	0531052812	SIGMA SEED SYSTEM (PEANUT)	20	01
02	0503063602	SEMI-ASSEMBLED SIGMA INDIVIDUAL SEED BOX	24	01
03	0503010179	LOCK WASHER		04
04	0501010694	FLAT WASHER		04
05	0503010240	BOLT		04
06	0503035691	ADHESIVE LABEL		02

SIGMA SEED SYSTEM (PEANUT)

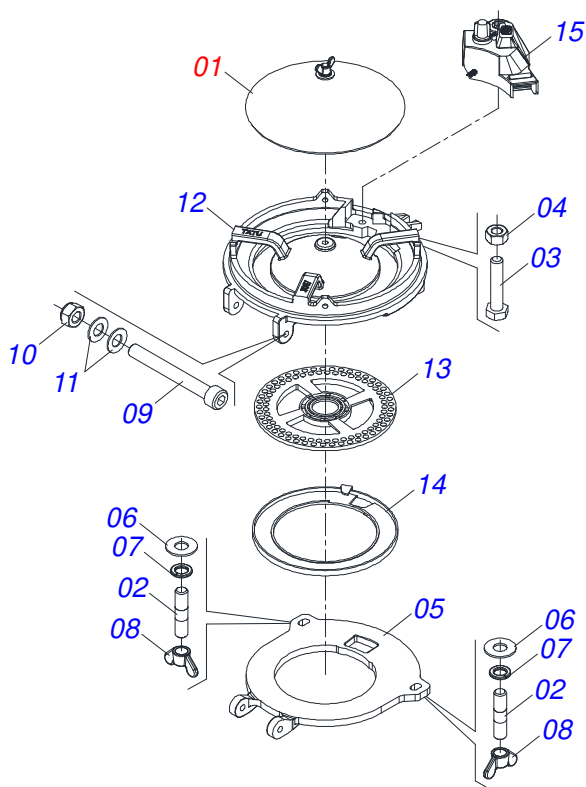


Item	Code	Description	See page	QT
01	0591016430	PEANUT DEFLECTOR		01
02	0503030083	3/8" X 3/8" X 1.6" STUD		02
03	0503010675	5/16" X 2.1/4" BOLT		02
04	0503010337	5/16" NUT		02
05	0502012881	SEED DISC DOUBLE BOTTOM LANE		01
06	0501013518	FLAT WASHER		03
07	0503010025	3/8" SPRING WASHER		03
08	0503010209	3/8" UNC BUTTERFLY NUT		03
09	0503016282	ALLEN BOLT		01
10	0503019913	SELF-LOCKING NUT W/ NYLON M8 X 1.25 C.8 ZN		01
11	0503035299	PLATE SPRING 16 X 8.2 X 0.90		02
12	0502012882	DOUBLE SEED BOX SUPPORT		01
13	0503019965	11 SLOTS 8,50 PEANUT DISC		01
14	0571018536	HEX PRISONER		01
15	0503063415	PEANUT SEED DISTRIBUTOR BOX		02



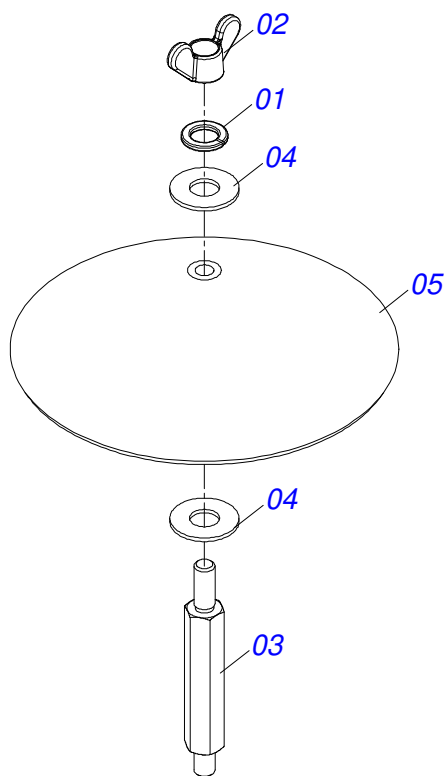
Item	Code	Description	See page	QT
01	0531054129	SIGMA SEED SYSTEM (SOY)	22	01
02	0503063602	SEMI-ASSEMBLED SIGMA INDIVIDUAL SEED BOX	24	01
03	0503010179	LOCK WASHER		04
04	0501010694	FLAT WASHER		04
05	0503010240	BOLT		04
06	0503035691	ADHESIVE LABEL		02

SIGMA SEED SYSTEM (SOY)

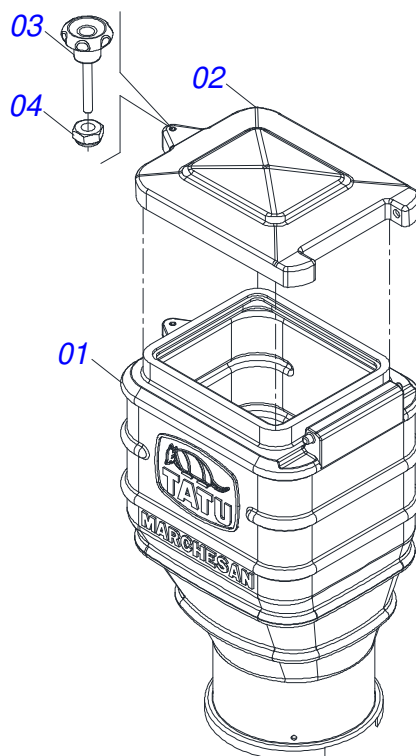


Item	Code	Description	See page	QT
01	0511057289	ASSY SEED DEFLECTOR	23	01
02	0503030083	3/8" X 3/8" X 1.6" STUD		02
03	0503010675	5/16" X 2.1/4" BOLT		01
04	0503010337	5/16" NUT		01
05	0502013006	LOWER SEED DISK TRACK		01
06	0501013518	FLAT WASHER		02
07	0503010025	3/8" SPRING WASHER		02
08	0503010209	3/8" UNC BUTTERFLY NUT		02
09	0503016282	ALLEN BOLT		01
10	0503019913	SELF-LOCKING NUT W/ NYLON M8 X 1.25 C.8 ZN		01
11	0503035299	PLATE SPRING 16 X 8.2 X 0.90		02
12	0502013007	SUPPORT BOX SEED		01
13	0513010140	SOYA DISK SOCIDISC 90 HOLES		01
14	0513010161	SOCIDISCO RING FOR SOY 0,8MM AZCSOJAR08-002461		01
15	0503063405	SOY SEED DISTRIBUTOR BOX		01

ASSY SEED DEFLECTOR

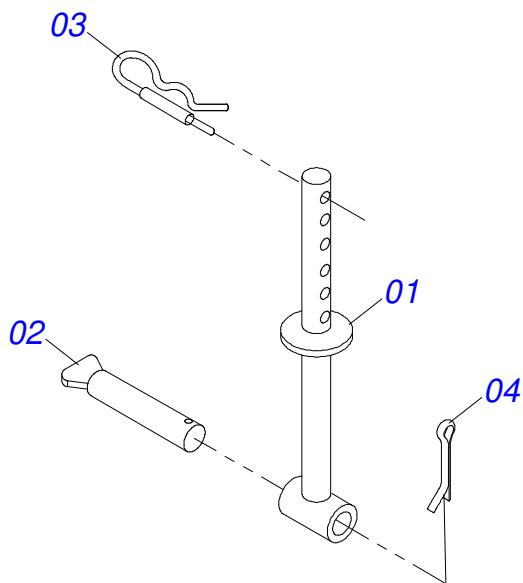


Item	Code	Description	See page	QT
01	0503010025	3/8" SPRING WASHER		01
02	0503010209	3/8" UNC BUTTERFLY NUT		01
03	0571018536	HEX PRISONER		01
04	0501013518	FLAT WASHER		02
05	0503034131	DEFLECTOR		01

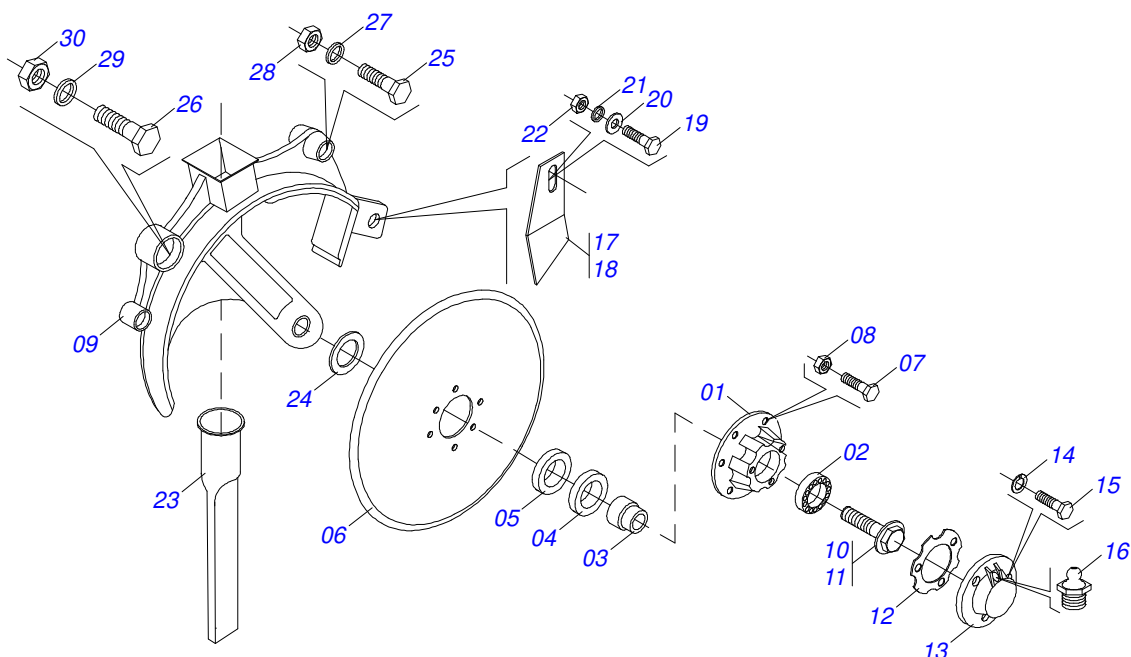


Item	Code	Description	See page	QT
01	0503035628	SIGMA YELLOW SEED BOX		01
02	0503035629	SIGMA SEED BOX LID		01
03	0503035298	BAKELITE HANDLE WITH THREAD		01
04	0503015536	M6 X 1" SELF ADJUSTING NUT		01

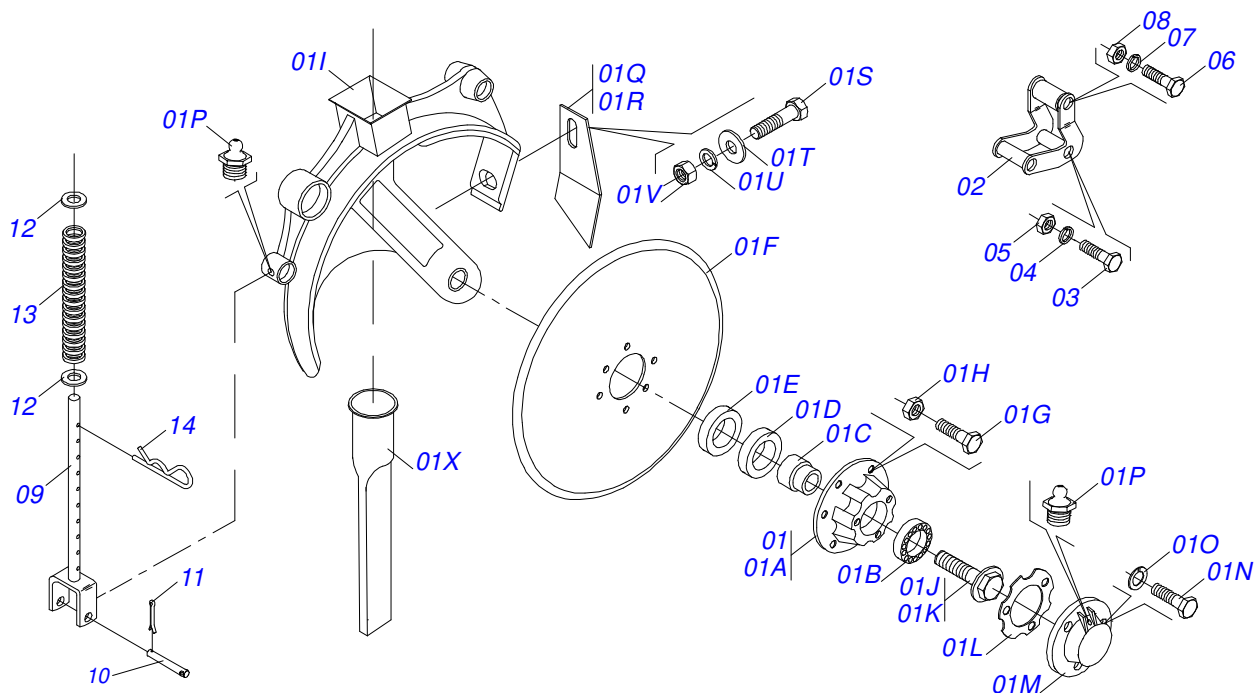
ADJUSTMENT BAR



Item	Code	Description	See page	QT
01	0501065302	ADJUSTMENT BAR		01
02	0501010525	7/16" X 3.23" PIN		01
03	0501050031	SUPPORT LOCK		01
04	0503010300	5/32" X 1" COTTERPIN		01



Item	Code	Description	See page	QT
00	0501052390	13" X 13" DOUBLE DISC ASSY		
01	0502011273	DOUBLE DISC HUB		02
02	0503010276	6206 BALL BEARING		02
03	0501011832	HUB DOUBLE DISC PASSANG AXLE		02
04	0503010526	3011 SEAL RING		02
05	0503010525	00797-BA SEAL		02
06	0603020019	D272 PLAIN COULTER BLADE		02
07	0503010546	5/16" X 7/8" BOLT		12
08	0503010337	5/16" NUT		12
09	0502011176	SEED DOUB-DISC SUPPORT		01
10	0511017958	5/8" X 1.9" RIGHT BOLT		01
11	0511017959	5/8" X 1.9" LEFT BOLT		01
12	0503030142	3.27" X 2.44" X 0.02" JOINT		02
13	0502020599	COVER		02
14	0503010143	1/4" SPRING WASHER		06
15	0503014891	1/4" X 3/4" BOLT		06
16	0503010002	1800 GREASE FITTING		02
17	0501017541	RIGHT DOUBLE DISC SCRAPER		01
18	0501017542	LH DOUBLE DISC SCRAPER		01
19	0503010849	3/8" X 1-1/2" BOLT		01
20	0501010984	FLAT WASHER		02
21	0503010025	3/8" SPRING WASHER		01
22	0503010026	3/8" NUT		01
23	0503030481	SEED SOCKET		01
24	0511015098	FLAT WASHER		02
25	0503010850	BOLT 7/16 UNC X 3 CS G.5 ZN		01
26	0501010163	5/8" X 4-1/2" BOLT		01
27	0503011446	SPRING WASHER		01
28	0503010244	7/16" NUT		01
29	0503011445	SPRING WASHER		01
30	0503010013	5/8" NUT		01



Item	Code	Description	See page	QT
00	0501051183	FERT DOUB-DISC ASSY		
01	0501050300	FERTILIZER DOUBLE DISC ASSY		01
01A	0502011273	DOUBLE DISC HUB		02
01B	0503010276	6206 BALL BEARING		02
01C	0501011832	HUB DOUBLE DISC PASSANG AXLE		02
01D	0503010526	3011 SEAL RING		02
01E	0503010525	00797-BA SEAL		02
01F	0603020019	D272 PLAIN COULTER BLADE		02
01G	0503010546	5/16" X 7/8" BOLT		12
01H	0503010337	5/16" NUT		12
01I	0502010674	FERTILIZER DOUBLE DISC SUPPORT		01
01J	0511017958	5/8" X 1.9" RIGHT BOLT		01
01K	0511017959	5/8" X 1.9" LEFT BOLT		01
01L	0503030142	3.27" X 2.44" X 0.02" JOINT		02
01M	0502020599	COVER		02
01N	0503010282	1/4" X 3/4" BOLT		06
01O	0503010143	1/4" SPRING WASHER		06
01P	0503010002	1800 GREASE FITTING		02
01Q	0501017541	RIGHT DOUBLE DISC SCRAPER		01
01R	0501017542	LH DOUBLE DISC SCRAPER		01
01S	0503010751	C3/8" X 1.1/4" HEX BOLT G.5		01
01T	0501010984	FLAT WASHER		02
01U	0503010025	3/8" SPRING WASHER		01
01V	0503010026	3/8" NUT		01
01X	0503030483	FERTILIZER SOCKET		01
02	0501063321	SUPPORT ADJUSTING DOUBLE DISC		01
03	0501010163	5/8" X 4-1/2" BOLT		01
04	0503010027	5/8" SPRING WASHER		01
05	0503010013	5/8" NUT		01
06	0503010479	BOLT		01
07	0503010019	1/2" SPRING WASHER		01



T2SI

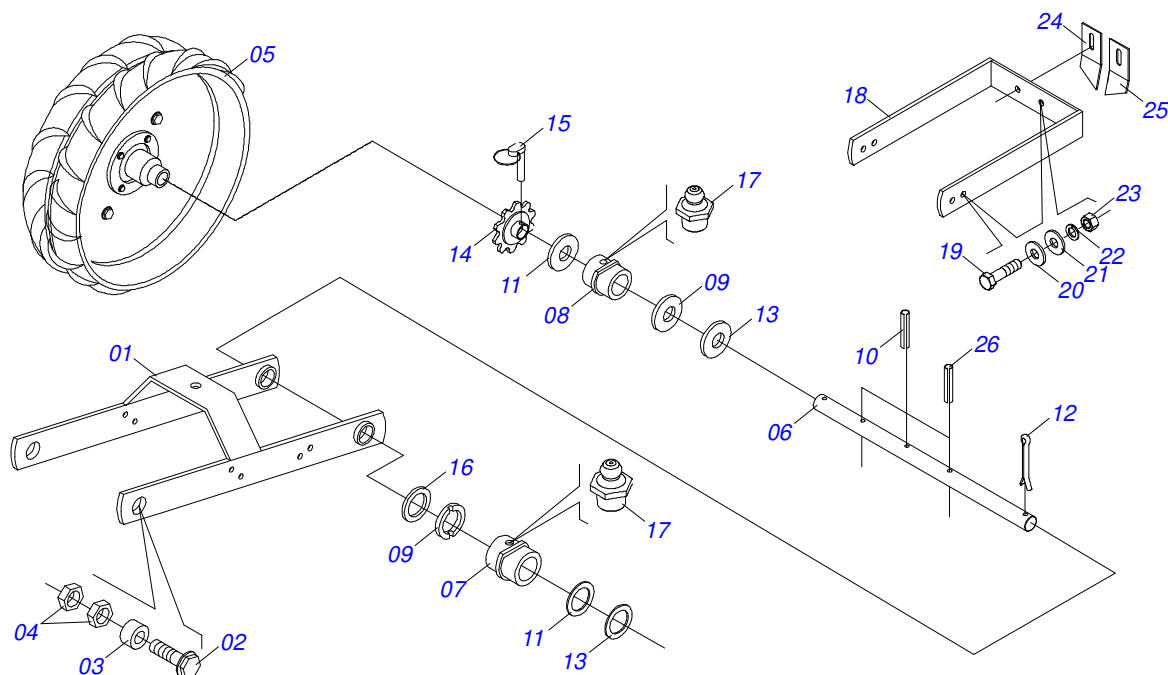
(FROM 04/2022)

Page 27

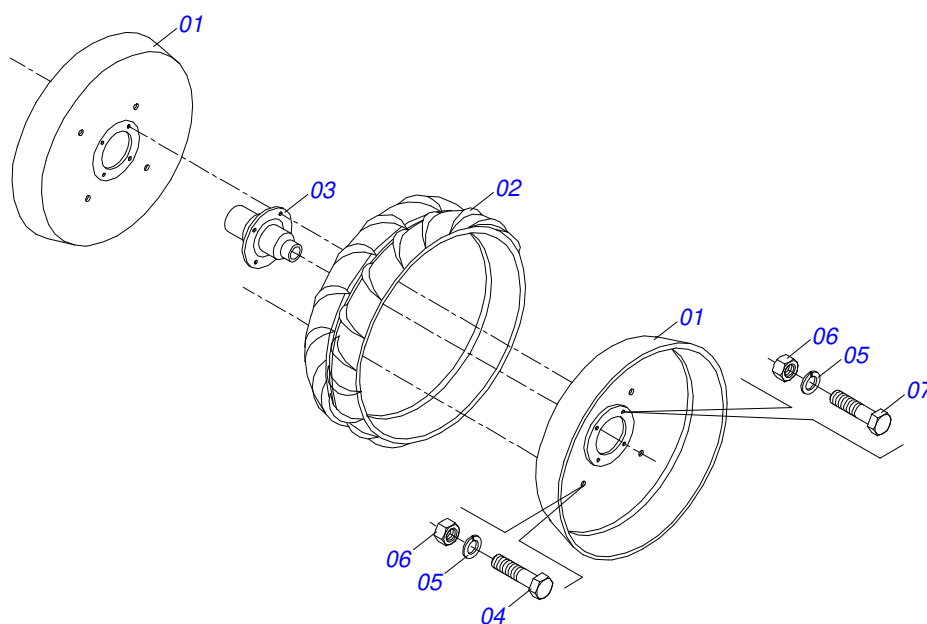
FERTILIZER DOUBLE DISC ASSY

0909091001

Item	Code	Description	See page	QT
08	0503010060	1/2" NUT		01
09	0501063359	DEPTH REGULATOR		01
10	0521010553	0.5" X 3" COUPLING SHAFT		01
11	0503010257	1/8" X 1" COTTERPIN		01
12	0501010453	FLAT WASHER		02
13	0503030399	1"X5.1"X 0.2" COMPRESSION SPRING		01
14	0503030012	HAIR PIN		02

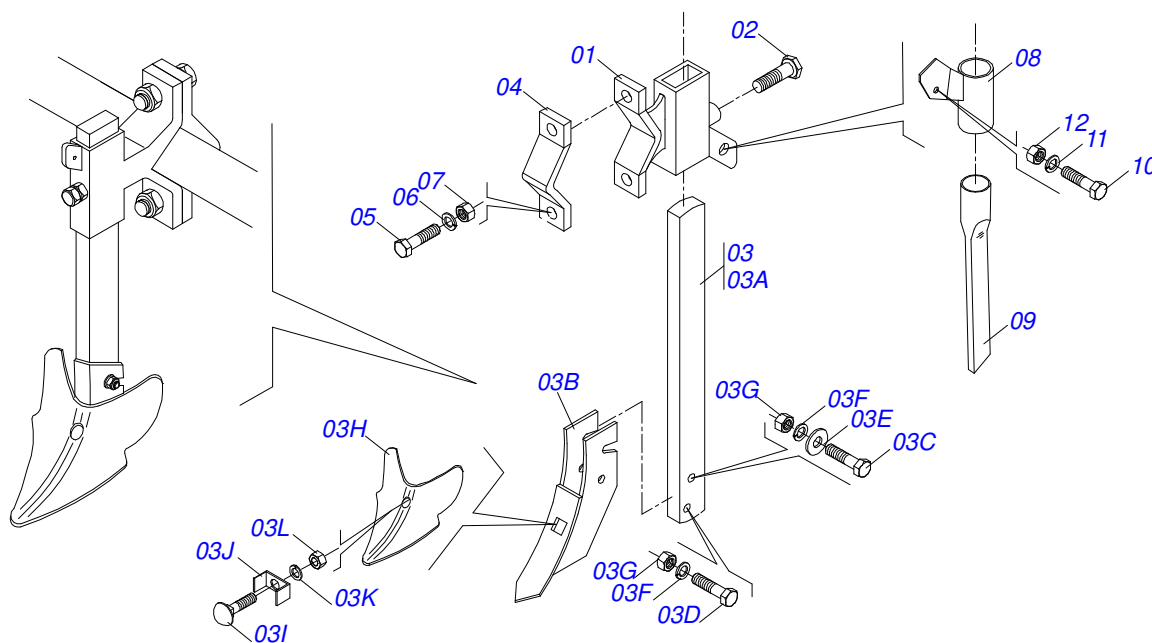


Item	Code	Description	See page	QT
01	0501065300	PRESS WHEEL SUPPORT		01
02	0511017958	5/8" X 1.9" RIGHT BOLT		02
03	0511014513	1" X 0.6" X 0.4" ARTICULAT SLEEVE		02
04	0503010013	5/8" NUT		02
05	0501040208	RODA COMPACT RUBBER	29	01
06	0501010871	PRESS WHEEL AXLE		01
07	0502020257	LH PRESS WHEEL BUSHING GUIDE AXLE		01
08	0502020258	RH PRESS WHEEL BUSHING GUIDE AXLE		01
09	0502010478	LOCKWASHER		02
10	0503010301	0.3" X 1.8" SPRING PIN		01
11	0501011467	FLAT WASHER		02
12	0503010571	1/4" X 1.1/2 COTTERPIN		01
13	0501011168	WASHER SPACER		02
14	0502011353	22Z GEAR		02
15	0503030119	LOCK PIN		02
16	0501011170	WASHER SPACER		02
17	0503010002	1800 GREASE FITTING		02
18	0501063310	SCRAPER FIXER SUPPORT		01
19	0503011087	3/8" X 1" BOLT		03
20	0501010984	FLAT WASHER		03
21	0501010984	FLAT WASHER		03
22	0503011443	3/8" SPRING WASHER		03
23	0503010026	3/8" NUT		03
24	0501011033	RH PRESS WHEELS SCRAPER		01
25	0501011034	RH PRESS WHEELS SCRAPER		01
26	0503010292	0.2" X 1.6" SPRING PIN		01



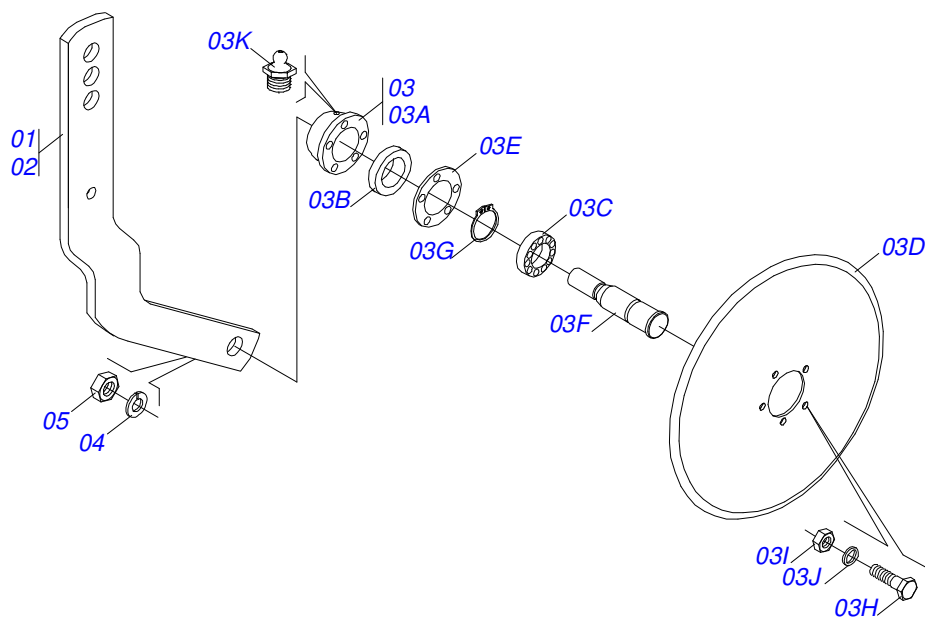
Item	Code	Description	See page	QT
01	0501016692	RIM SEMI BODY		02
02	0503010353	DEPTH CONTROL WHEEL RUBBER BAND		01
03	0502020427	HUB		01
04	0501010324	3/8" X 1-1/4" BOLT		04
05	0503010025	3/8" SPRING WASHER		08
06	0503010026	3/8" NUT		08
07	0501010940	3/8" X 3/4" BOLT		04

ROD SUBSOILER CORN

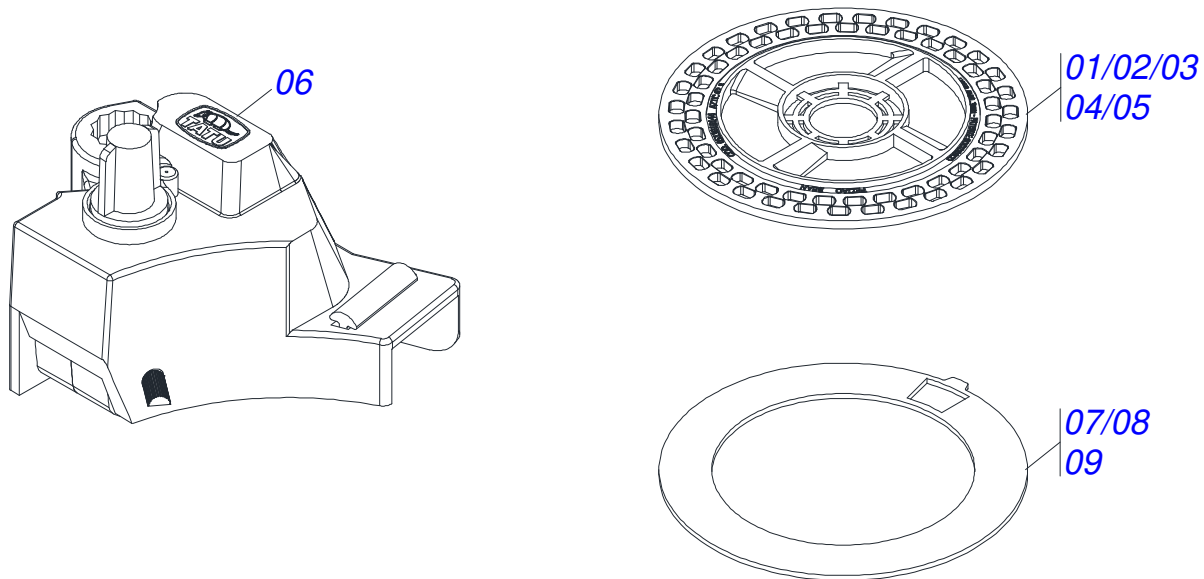


Item	Code	Description	See page	QT
01	0502010798	SOCKET SUBSOILER SUPPORT		01
02	0501010098	3/4" UNC BOLT		01
03	0501043477	FERTILIZER SUBSOILER WING SPINDLE		01
03A	0501011025	SUBSOILER SPINDLE		01
03B	0501065309	POINT SUBSOILER		02
03C	0501011028	1/2" X 2-1/4" BOLT		02
03D	0503010740	BOLT 1/2 UNC X 2 CS G.5 ZN		02
03E	0501010937	13.5 X 28 X 3 FLAT WASHER		02
03F	0503010019	1/2" SPRING WASHER		02
03G	0503010060	1/2" NUT		02
03H	0626091001	8" POINT SUBSOILER		01
03I	0501011190	5/8" X 3-3/4" BOLT		01
03J	0501011026	FIXER		01
03K	0503010027	5/8" SPRING WASHER		01
03L	0503010013	5/8" NUT		01
04	0502010175	HITCH CLAMP		02
05	0503010797	3/4" X 4" BOLT		02
06	0503010023	3/4" SPRING WASHER		02
07	0503010014	3/4" NUT		02
08	0501065200	SOCKET FASTENER SUPPORT		01
09	0503030432	FERTILIZER SOCKET		01
10	0503010237	3/8" X 1" BOLT		01
11	0503010025	3/8" SPRING WASHER		01
12	0503010026	3/8" NUT		01

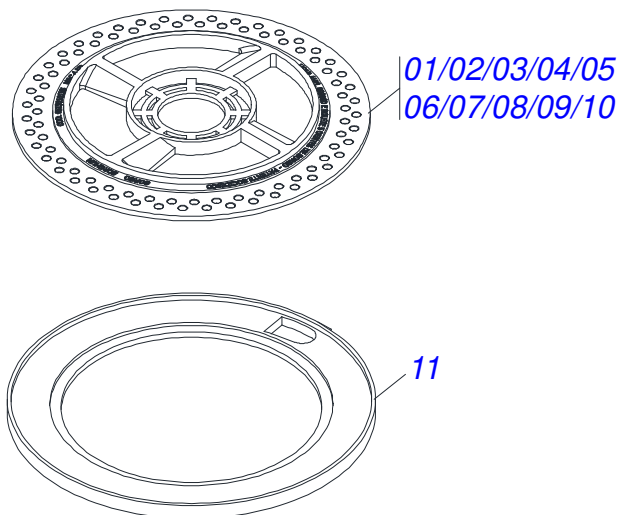
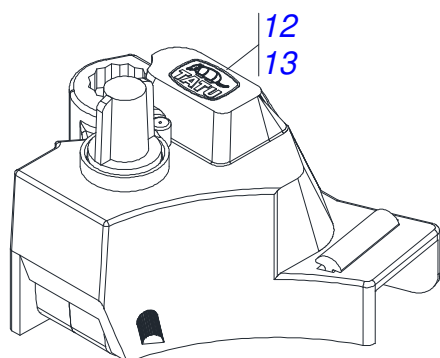
COVER DISC



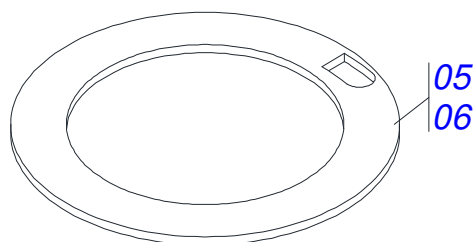
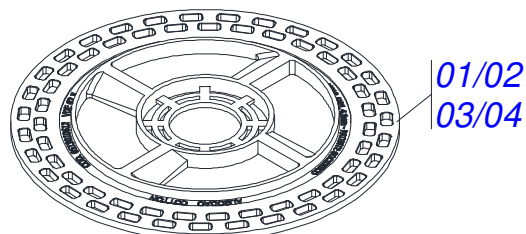
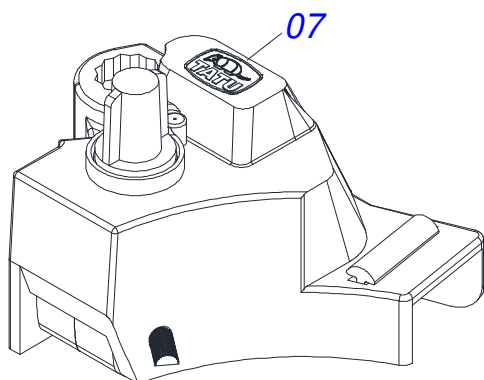
Item	Code	Description	See page	DIR	ESQ
00	0501049042	RIGHT DISC COVER		01	00
00A	0501049043	LH DISC COVER		00	01
01	0521015431	RH DISC COVER SUPPORT BODY		01	00
02	0521015430	LH DISC COVER SUPPORT BODY		00	01
03	0501052463	HUB DISC COVER		01	01
03A	0502020140	HUB		01	01
03B	0503010272	SEAL 00715-BA		01	01
03C	0503010269	6204 BALL BEARING		01	01
03D	0601011502	7-9/32" X 0.12" PLAIN DISC BLADE		01	01
03E	0503030143	3.3" X 1.9" X 0.1" JOINT		01	01
03F	0501012934	COVER DISC AXLE		01	01
03G	0503010302	501019 SEAL RING		01	01
03H	0503010282	1/4" X 3/4" BOLT		01	01
03I	0503010144	1/4" NUT		01	01
03J	0503010143	1/4" SPRING WASHER		01	01
03K	0503010691	1/4" GREASE FITTING		01	01
04	0503010019	1/2" SPRING WASHER		01	01
05	0503010060	1/2" NUT		01	01



Item	Code	Description	See page	QT
01	0513010194	11,4 X 6,3 62 HOLES COTTON/BEAN DISC MR62.8-00186		01
02	0513010144	11,5 X 7,5 62 HOLES BEAN DISC AZTC62.3-00174		01
03	0513010145	12,0 X 8,5 62 HOLES BEAN DISC BR62.2-00172		01
04	0513010146	12,5 X 9,5 62 HOLES BEAN DISC AM62.1-00171		01
05	0513010147	16,5 X 9,0 62 HOLES BEAN DISC AZ62.4-00173		01
06	0503063412	4Z SOY/BEAN SEED DISTRIBUTOR BOX - 001804		01
07	0513010167	BEAN FLAT RING AZMSOJALISO-002252		01
08	0513010166	0,8 BEAN SEMI LOWER RING AZCSOJA0.8-002462		01
09	0513010165	1,5 BEAN LOWER RING 1,5 RSPSOJA1.5-002253		01



Item	Code	Description	See page	QT
01	0513010155	4,5 86 HOLES SORGHUM DISC MRC4.5D-00113		01
02	0513010150	4,5 52 HOLES SORGHUM DISC MRC4.5C-00112		01
03	0513010156	5,0 86 HOLES SORGHUM DISC CZ5.0D-00115		01
04	0513010157	5,5 86 HOLES SORGHUM DISC VDL5.5D-00117		01
05	0513010148	3,5 52 HOLES SORGHUM DISC MR3.5C-00108		01
06	0513010153	3,5 86 HOLES SORGHUM DISC MR3.5D-00109		01
07	0513010149	4,0 52 HOLES SORGHUM DISC PR4.0C-00110		01
08	0513010154	4,0 86 HOLES SORGHUM DISC PR4.0D-00111		01
09	0513010151	5,0 52 HOLES SORGHUM DISC CZ5.0C-00114		01
10	0513010152	5,5 52 HOLES SORGHUM DISC VLD5.5C-00116		01
11	0513010168	SORGHUM RING WITH C/EDGE BR006D-000119		01
12	0503063653	5Z SIMPLE SORGHUM SEED DISTRIBUTOR BOX - 001799		01
13	0503063651	5Z DOUBLE SORGHUM SEED DISTRIBUTOR BOX - 001800		01



Item	Code	Description	See page	QT
01	0513010612	11 X 5,5 62 HOLES COTTON DISC VDE62.5-00183		01
02	0513010613	9,5 X 5,2 62 HOLES COTTON DISC PR62.6-00184		01
03	0513010614	10,4 X 5,4 62 HOLES COTTON DISC AZ62.7-00185		01
04	0513010194	11,4 X 6,3 62 HOLES COTTON/BEAN DISC MR62.8-00186		01
05	0513010195	4,3 UNIVERSAL RING AM000LISO-000029		01
06	0513010611	4,3 UNIVERSAL RING CZ001.8-000031		01
07	0503063650	4Z COTTON SEED DISTRIBUTOR BOX - 001805		01



MARCHESAN

Technical Publications | Elaboration and Revision

LEONARDO JOSÉ DA SILVA SOUZA

www.marchesan.com.br

