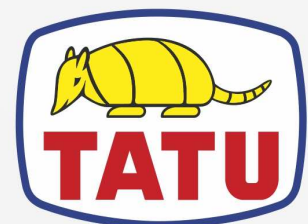


PD - FRONT LOADER

PD JD - S/A

Code: 0501093253
Series: S-0117
Revision: 00
Date Revision: JUNHO/2022

PARTS CATALOGUE



MARCHESAN



PRODUCTS

Code	Description
0106020257	PD JD 5075 A 5090 BT CDC ESP S-0117
0106020253	PD JD 5075 A 5090 BT SC ESP S-0117

ATTENTION: IMPORTANT

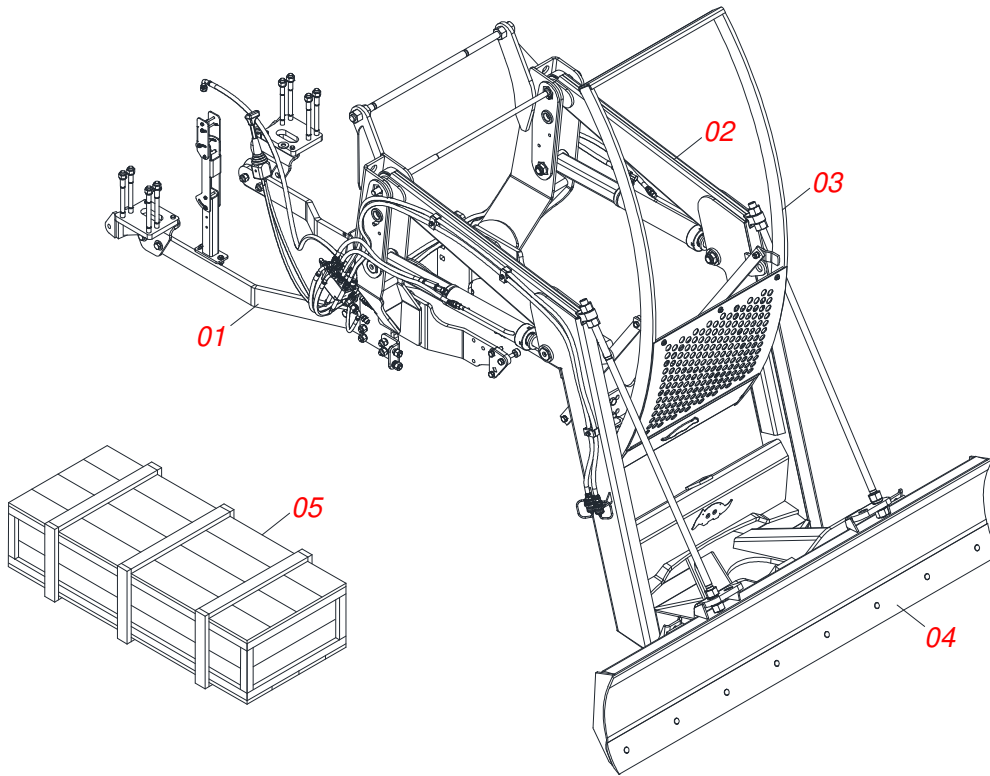
Marchesan S.A. reserves the right to improve and/or modify the technical features of its products, without obligation to do the same with those products already sold and without prior knowledge of the dealer or the consumer. The photos are only illustrative.



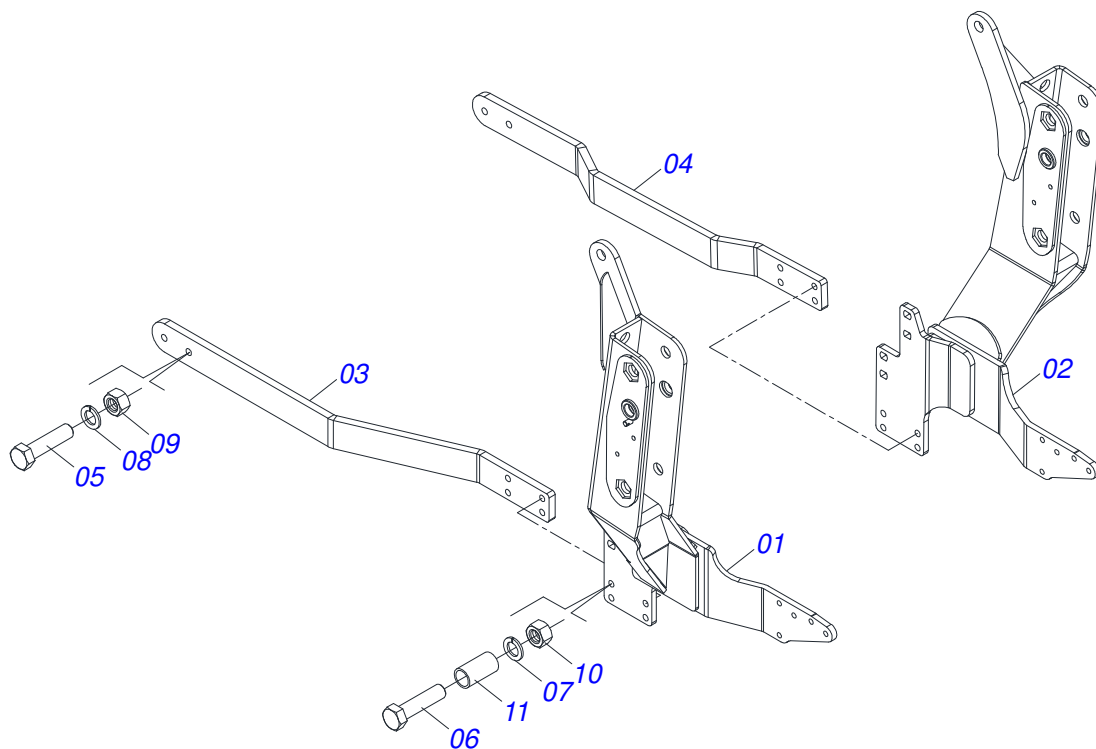
MARCHESAN

INDEX

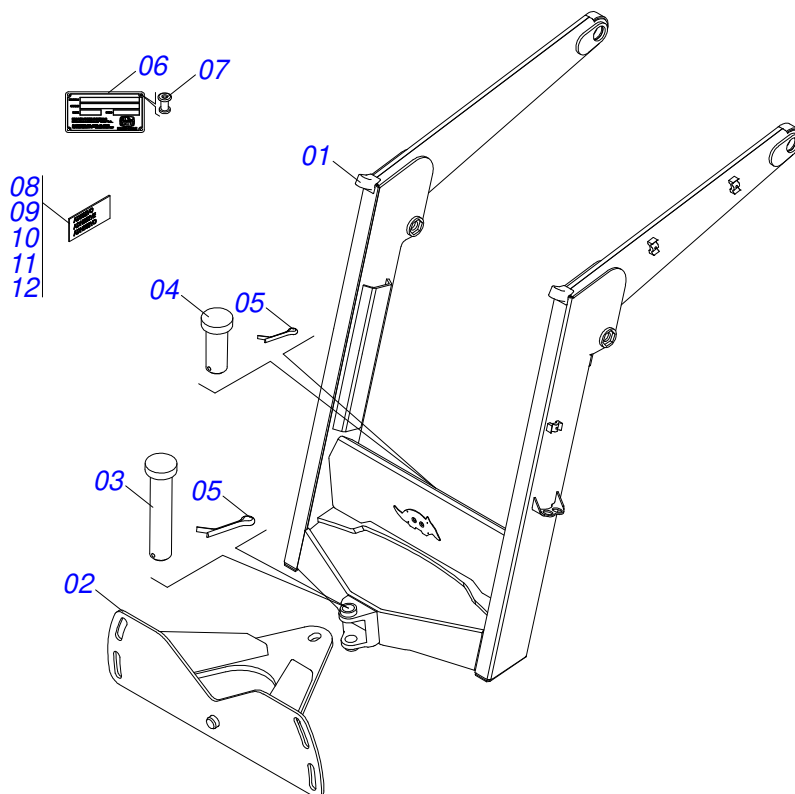
0909096366	ASSY FRAME	1
0521047201	WITH REAR BAR CHASSIS SET	2
0521046960	ASSY MOVEI SUPPORT	3
0501048330	MOBILE SUPPORT GUIDE ASSY	4
0511047750	2400 SCRAPER ASSY WITH STABILIZER BRACKET	5
0501047708	2400 BLADE SUPPORT	6
0521023226	BOX WITH COMPONENTS	7
0511043351	1.1/4" X 40" ROD	8
0501041427	1.1/4" NC X 1540 ASSY ROD	9
0909096367	HYDRAULIC CIRCUIT	10
0521050158	44,45 X 85,72 X 1049 X 360 - LEFT HYDRAULIC CYLINDER	11
0521050157	44,45 X 85,72 X 1049 X 360 - RIGHT HYDRAULIC CYLINDER	12
0511057771	R.7/8UNF - SAFETY VALVE	13
0511032676	PACKED PARTS	14
0501053834	MALE QUICK COUPLER	15
0501053835	FEMALE QUICK COUPLER	16
0521023236	BOX WITH COMPONENTS	17
0521045393	SET SUPPORT JOY STICK	18
0521047176	COMMAND	19
0909096368	HYDRAULIC CIRCUIT	20
0511032680	PACKED PARTS	21



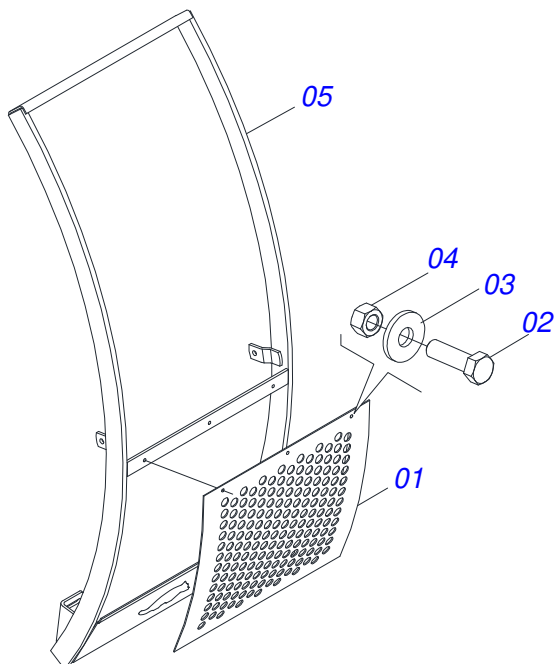
Item	Code	Description	See page	QT
01	0521047201	WITH REAR BAR CHASSIS SET	2	01
02	0521046960	ASSY MOVEL SUPPORT	3	01
03	0501048330	MOBILE SUPPORT GUIDE ASSY	4	01
04	0511047750	2400 SCRAPER ASSY WITH STABILIZER BRACKET	5	01
05	0521023226	BOX WITH COMPONENTS	7	01
05.	0521023236	BOX WITH COMPONENTS	17	01



Item	Code	Description	See page	QT
01	0521067739	FRAME RIGHT		01
02	0521067740	FRAME LEFT		01
03	0581012569	RIGHT REAR BAR		01
04	0581012570	LEFT REAR BAR		01
05	0503010233	5/8" X 2-1/2" BOLT		02
06	0503011084	3/4" X 5" BOLT		04
07	0503010023	3/4" SPRING WASHER		04
08	0503010027	5/8" SPRING WASHER		02
09	0503010013	5/8" NUT		02
10	0503010014	3/4" NUT		04
11	0581015170	SLEEVE		04

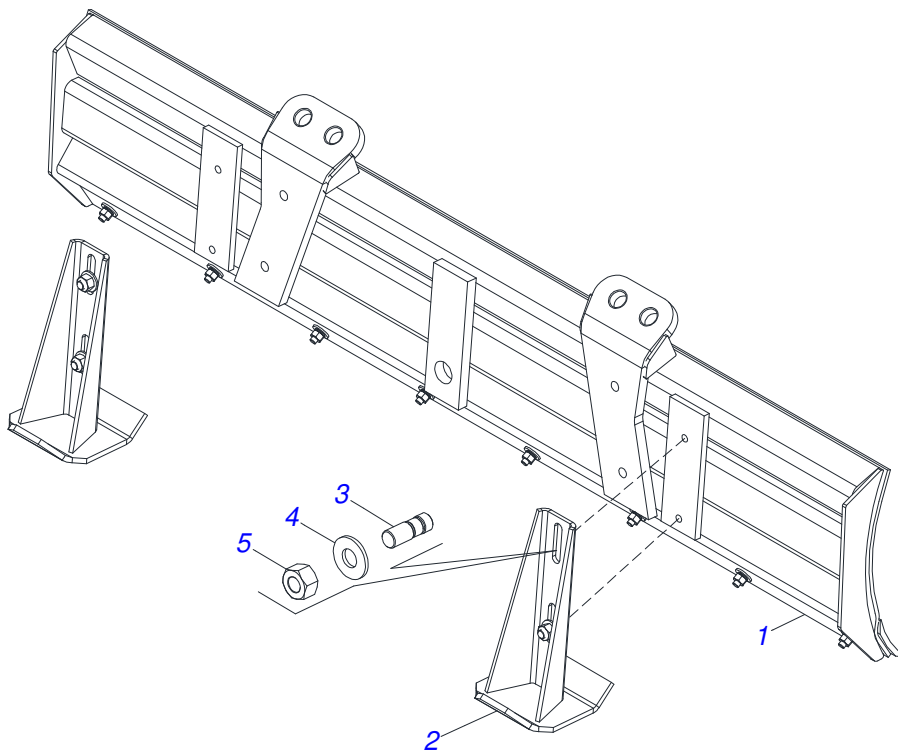


Item	Code	Description	See page	QT
01	0521067528	MOBILE SUPPORT		01
02	0501063368	REGULATOR SUPPORT		01
03	0521010618	1.4" X 8.6" COUPLING SHAFT		01
04	0521010612	1.4" X 3.5" COUPLING SHAFT		01
05	0503010010	1/4" X 2.1/2" COTTERPIN		02
06	0503034003	SERIAL NUMBER TAG 61 X 118		01
07	0503010001	3.2 X 5.5 RIVET		04
08	0503031428	READ MANUAL DECAL		01
09	0503031827	LUBRICATE AND RETIGHTEN DAILY DECAL		01
10	0503062270	SET LABEL ADHESIVE		01
11	0503034078	LIFTING POINTS DECAL		03
12	0503031087	ADHESIVE LABEL		01

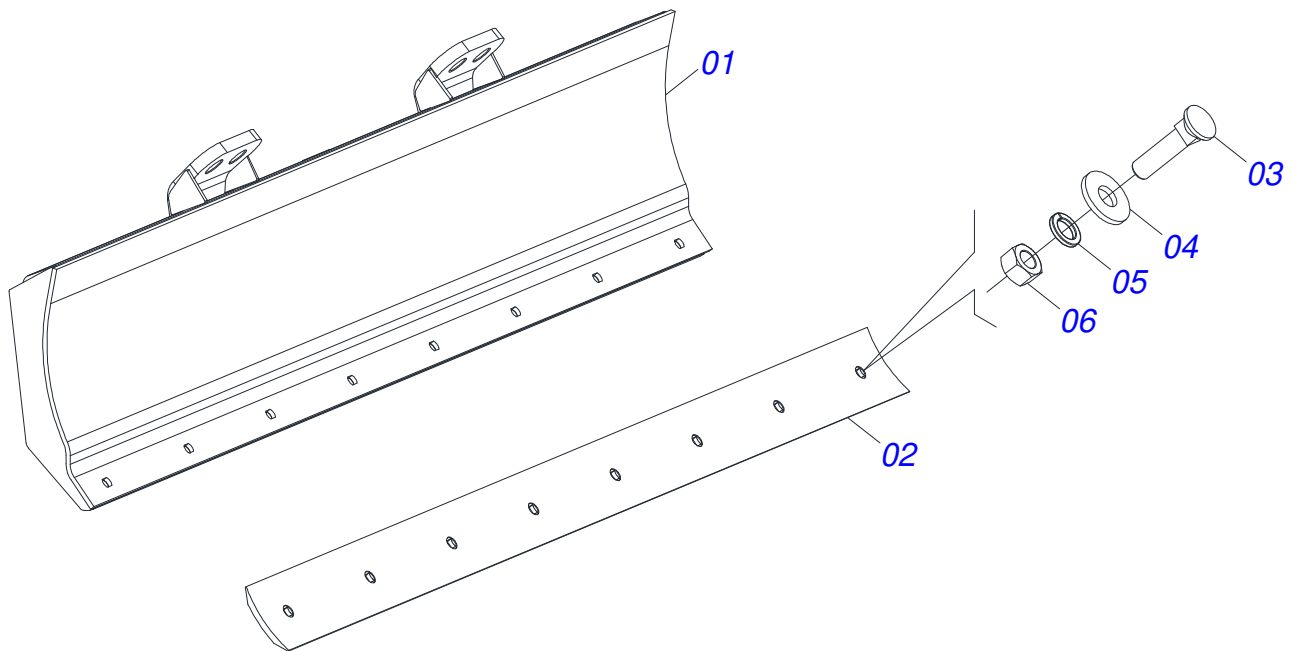


Item	Code	Description	See page	QT
01	0501014686	FRONT PROTECTION		01
02	0503010751	C3/8" X 1.1/4" HEX BOLT G.5		03
03	0501010984	FLAT WASHER		03
04	0503010026	3/8" NUT		03
05	0511061998	MOBILE SUPPORT GUIDE		01

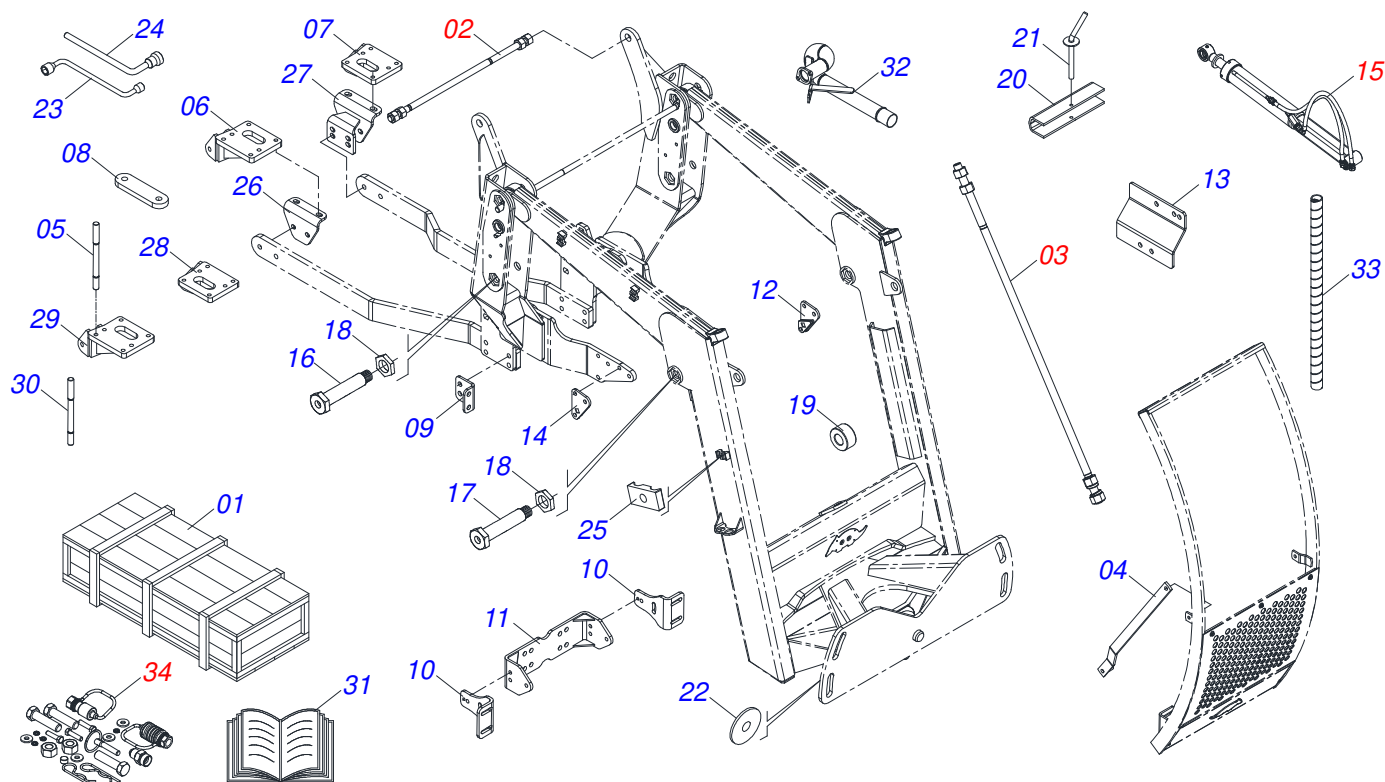
2400 SCRAPER ASSY WITH STABILIZER BRACKET



Item	Code	Description	See page	QT
01	0501047708	2400 BLADE SUPPORT	6	01
02	0501063411	ESTABILIZER BRACKET		02
03	0561016756	3/4 UNC X 3/4 UNC X 56 PRISONER		04
04	0501010322	FLAT WASHER		04
05	0503010014	3/4" NUT		04



Item	Code	Description	See page	QT
01	0501067999	2390 BLADE SUPPORT		01
02	0622360016	94.5" SCRAPER REVERSIBLE		01
03	0501012240	BOLT		08
04	0501012140	FLAT WASHER		08
05	0503011445	SPRING WASHER		08
06	0503010013	5/8" NUT		08



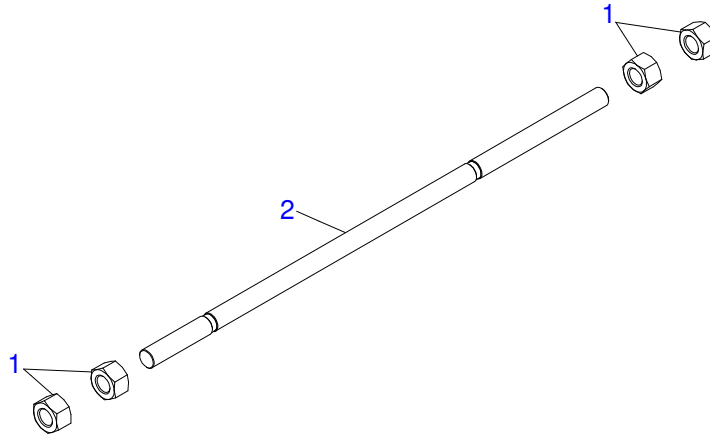
Item	Code	Description	See page	QT
01	0501100416	WOODEN BOX		01
02	0511043351	1.1/4" X 40" ROD	8	01
03	0501041427	1.1/4" NC X 1540 ASSY ROD	9	02
04	0531060373	SWIVELING BAR		02
05	0561017654	M20 X 2.5 X 270 THREADED ROD ZN		08
06	0521067233	DIFFERENTIAL RIGHT BEARING HANGER		01
07	0521067232	DIFFERENTIAL LEFT BEARING HANGER		01
08	0561013399	FRAME SUPPORT BEARING HANGER		02
09	0581015280	TOOL BOX SUPPORT		01
10	0571010158	FIXER GUIDE MOBILE SUPPORT		02
11	0521064256	MOBILE SUPPORT GUIDE FIXER		01
12	0531060375	LOCK LEFT FRAME		01
13	0591011706	TOOL BOX FIXING PLATE		01
14	0531060374	LOCK RIGHT FRAME		01
15	0909096367	HYDRAULIC CIRCUIT	10	01
16	0581013410	1.1/4" UNF X 155 BOLT		04
17	0581013378	GREASE SCREW		02
18	0581010243	WASHER HEX		06
19	0531016799	SLEEVE 34,93 X 16,50 X 20		02
20	0531017238	LOCK TRANSPORT		02
21	0501068994	8,30 X 78 LOCK PIN		02
22	0501010574	FLAT WASHER		04
23	0501068213	5/8" WRENCH DOUBLE		01
24	0501061617	1" GANG BOLT WRENCH		01
25	0502010477	HOSE CLAMP		07
26	0581012566	REAR BAR FIXATION BEARING HANGER		01
27	0521067229	BEARING HANGER LEFT		01
28	0521069404	LEFT BEARING HANGER		01
29	0521069403	RIGHT BEARING HANGER		01
30	0503034789	PRISONER		08
31	0511033668	BAG WITH INSTRUCTION MANUAL		01



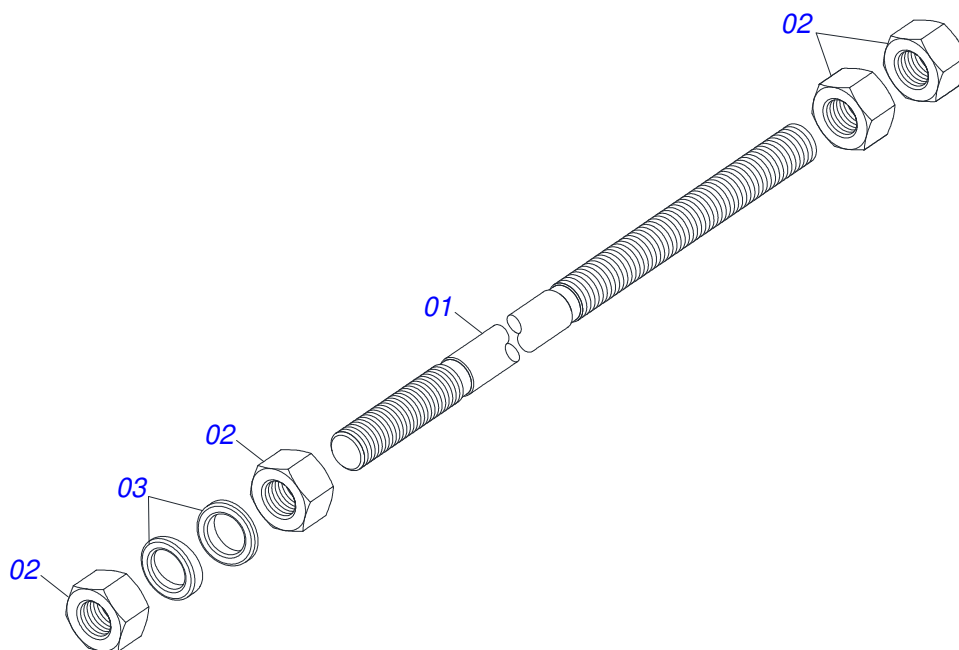
PD JD - S/A
BOX WITH COMPONENTS

Page 7
0521023226

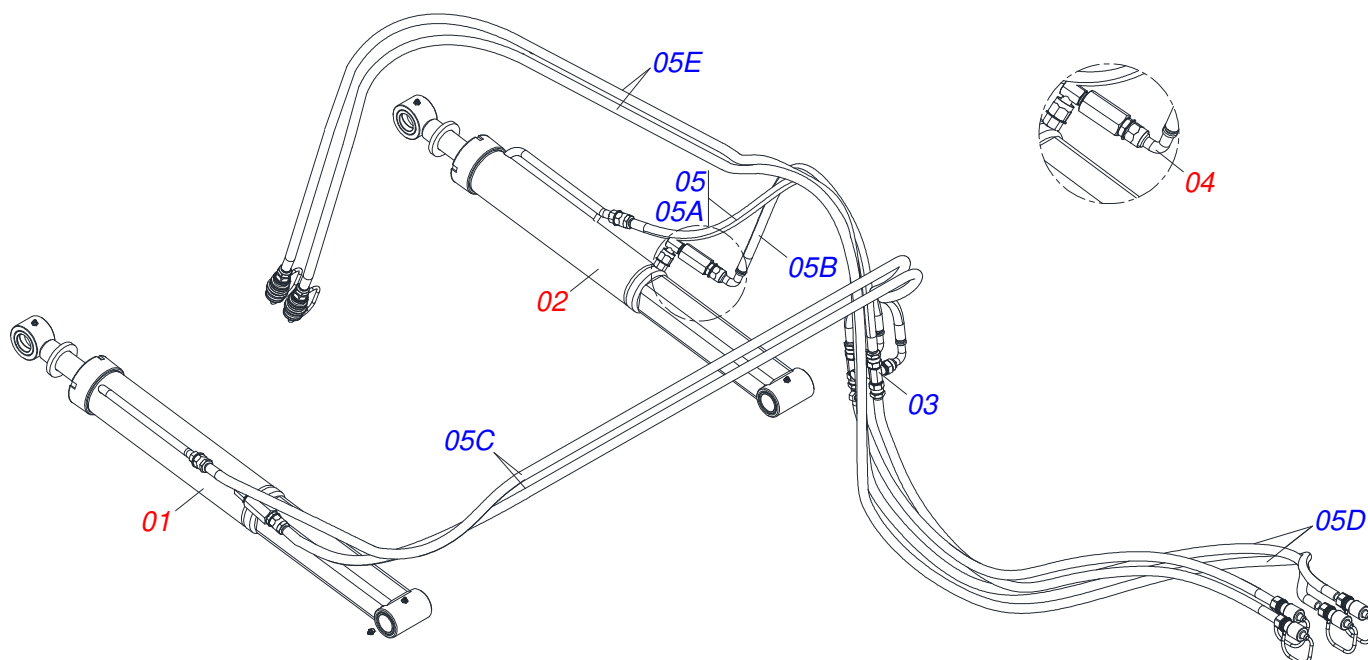
Item	Code	Description	See page	QT
32	0531062376	ESCAPEMENT COMPLEMENT		01
33	0581010090	SPRING PROTECTION PLASTIC HOSE		02
34	0511032676	PACKED PARTS	14	01



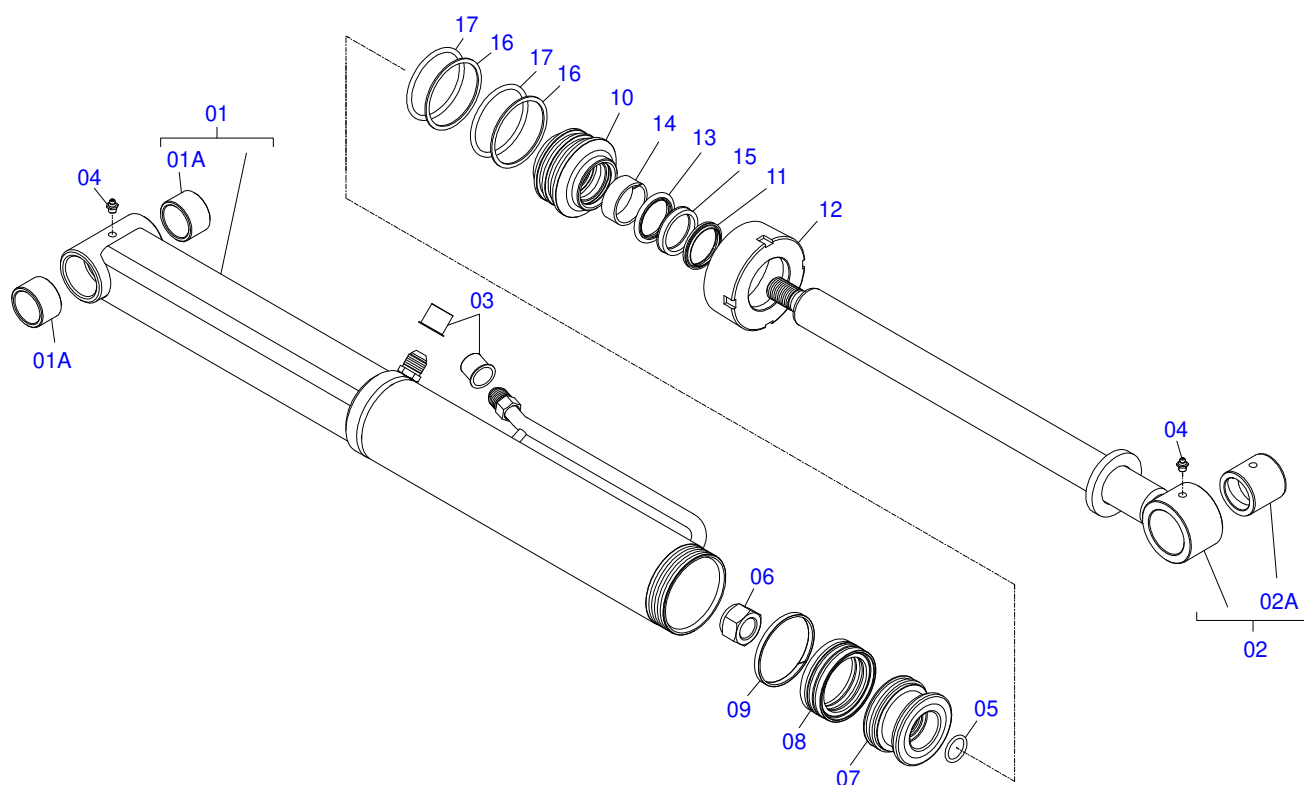
Item	Code	Description	See page	QT
01	0501010087	1.1/4" NUT		04
02	0541015018	ROD 1.1/4 NC X 1000		01



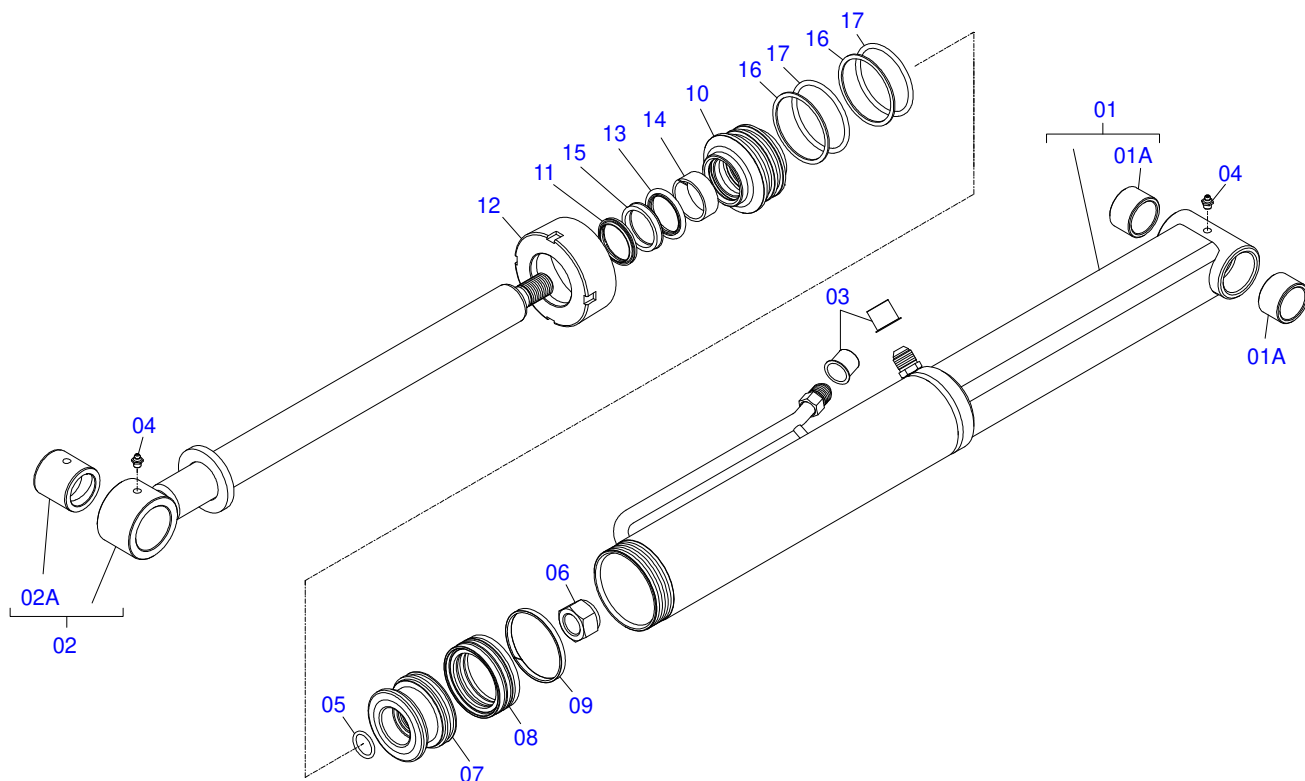
Item	Code	Description	See page	QT
01	0501014250	1.1/4" X 1540 ROD		01
02	0501010087	1.1/4" NUT		04
03	0502012180	CONICAL SPRING WASHER		02



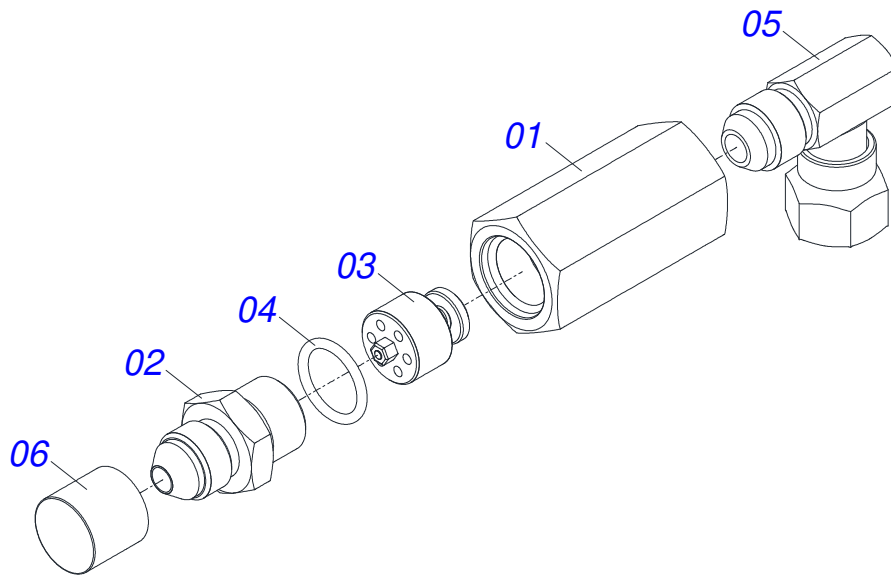
Item	Code	Description	See page	QT
01	0521050158	44,45 X 85,72 X 1049 X 360 - LEFT HYDRAULIC CYLINDER	11	01
02	0521050157	44,45 X 85,72 X 1049 X 360 - RIGHT HYDRAULIC CYLINDER	12	01
03	0521064869	7/8UNF JIC OIL DISTRIBUTOR		01
04	0511057771	R.7/8UNF - SAFETY VALVE	13	02
05	0521050822	HOSE KIT		01
05A	0501080825	1/2" X 1100 TR-TC HOSE		01
05B	0501080119	HOSE		01
05C	0501080016	1/2 X 2800 TR-TC HOSE		02
05D	0501080308	1/2 X 2750 TR-TM HOSE		02
05E	0501081929	HOSE 1/2 X 4500 TM-TM		02



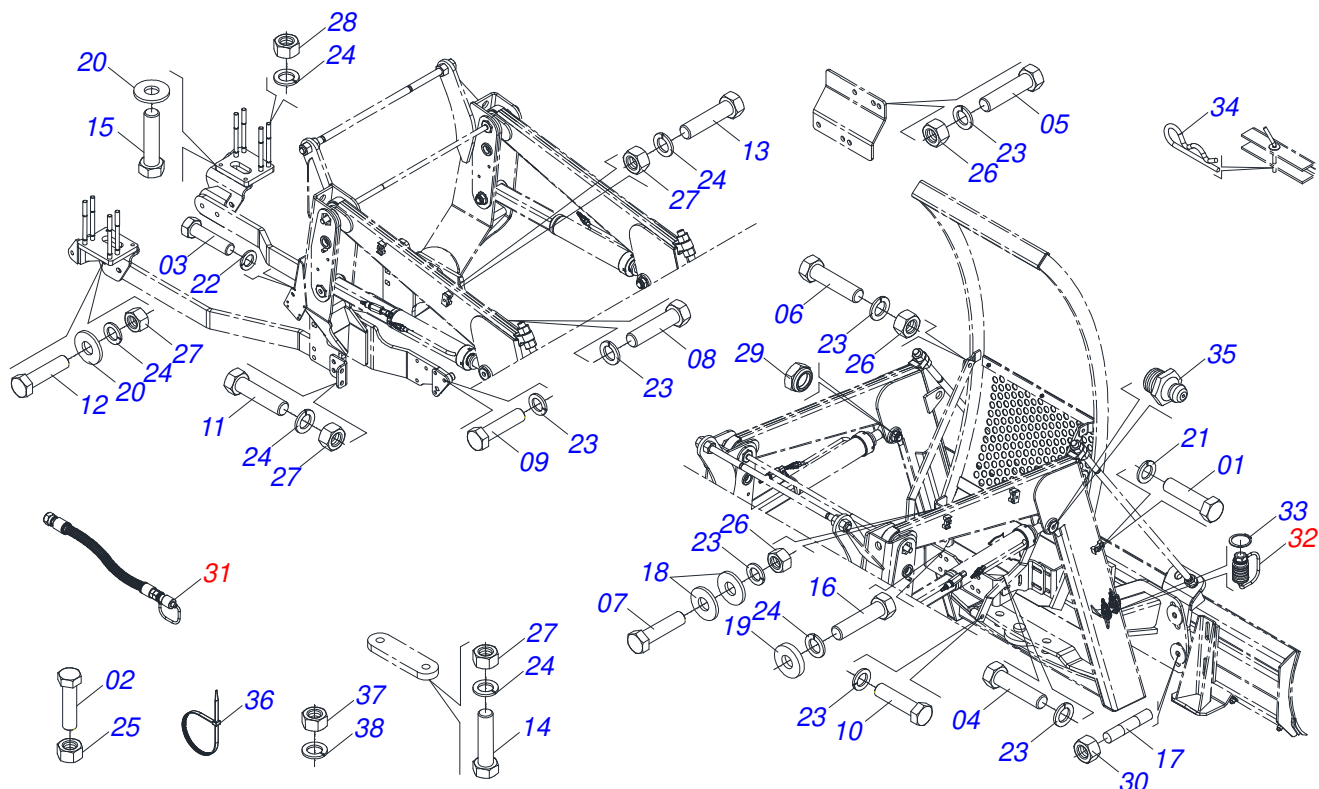
Item	Code	Description	See page	QT
01	0521067429	85,72 X 468 7/8 LEFT CYLINDER BODY - PD VTR A750		01
01A	0541014740	SLEEVE		02
02	0521067431	44,45 X 590 EXTENDER - PD VTR A750		01
02A	0521010514	38,1 X 52,9 X 50 SLEEVE INTER		01
03	0503030387	PLUG		02
04	0503010002	1800 GREASE FITTING		02
05	0503010042	2-214 N 3006-9B O'RING		01
06	0503010063	1" SELF-ALIGNING NUT		01
07	0571019710	1.7" X 3.4" PISTON		01
08	0503017935	RING		01
09	0503018144	RING		01
10	0571019711	RING SUPPORT		01
11	0503010761	D-1750 SCRAPER RING		01
12	0571019709	DETACHABLE COVER		01
13	0503017936	RING		01
14	0503017938	RING GUIDE		01
15	0503017937	GASKET		01
16	0503017940	8-337 BACK-UP RING		02
17	0503017939	2-337 N 3006-9B O' RING		02



Item	Code	Description	See page	QT
01	0521067430	CYLINDER BODY		01
01A	0541014740	SLEEVE		02
02	0521067431	44,45 X 590 EXTENDER - PD VTR A750		01
02A	0521010514	38,1 X 52,9 X 50 SLEEVE INTER		01
03	0503030387	PLUG		02
04	0503010002	1800 GREASE FITTING		02
05	0503010042	2-214 N 3006-9B O'RING		01
06	0503010063	1" SELF-ALIGNING NUT		01
07	0571019710	1.7" X 3.4" PISTON		01
08	0503017935	RING		01
09	0503018144	RING		01
10	0571019711	RING SUPPORT		01
11	0503010761	D-1750 SCRAPER RING		01
12	0571019709	DETACHABLE COVER		01
13	0503017936	RING		01
14	0503017938	RING GUIDE		01
15	0503017937	GASKET		01
16	0503017940	8-337 BACK-UP RING		02
17	0503017939	2-337 N 3006-9B O' RING		02



Item	Code	Description	See page	QT
01	0503018033	37 X R.7/8 UNF 90° JIC MALE CONNECTOR WITH ROTATING NUT		01
02	0581014053	1/2 BSP X 7/8 UNF JIC X 64 ADAPTER		01
03	0503016854	VALVE ASSY		01
04	0503010045	O'RING		01
05	0581014052	1/2 BSP X 7/8 UNF JIC X 43 NIPLE		01
06	0503030387	PLUG		01



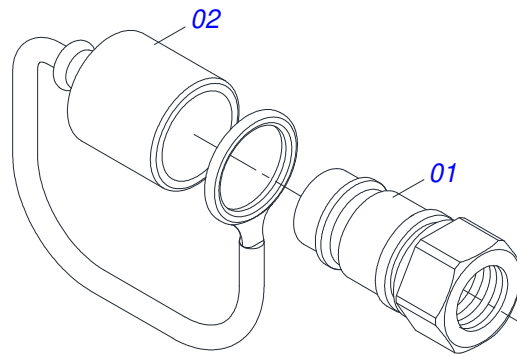
Item	Code	Description	See page	QT
01	0503011135	BOLT		04
02	0501010155	1/2" X 1" BOLT		01
03	0503010479	BOLT		01
04	0503010962	5/8" X 1-1/4" BOLT		02
05	0503011267	BOLT 5/8 UNC X 1.1/2 C S G.5 ZN		04
06	0501010100	SCREW 5/8 UNC X 2 CS G.5 ZN		02
07	0503010899	5/8" X 2-1/4" BOLT		06
08	0503011730	M16 X 2 X 60 BOLT		04
09	0503012693	M16 X 2 X 75 BOLT		02
10	0503012833	M16 X 2 X 90 BOLT		02
11	0501010098	3/4" UNC BOLT		02
12	0501010500	3/4"X3"BOLT		10
13	0503014006	3/4" X 2-1/2" BOLT		02
14	0503011857	3/4" X 10" BOLT		04
15	0503011322	M20 X 2,5 X 50 BOLT		04
16	0503013111	M20 X 2,5 X 65 BOLT		12
17	0561016755	PRISONER 1 UNC X 1 UNC X 76 ZN		04
18	0501012140	FLAT WASHER		10
19	0591010147	FLAT WASHER		04
20	0501010322	FLAT WASHER		20
21	0503010180	7/16" SPRING WASHER		04
22	0503010019	1/2" SPRING WASHER		02
23	0503010027	5/8" SPRING WASHER		22
24	0503010023	3/4" SPRING WASHER		34
25	0503010060	1/2" NUT		01
26	0503010013	5/8" NUT		12
27	0503010014	3/4" NUT		22
28	0503015985	M20 X 2.5 ZN HEXAGONAL NUT		08
29	0503010044	1-1/4" SELF LOCKING NUT		06
30	0501010059	1.5/8 NUT		04
31	0501053834	MALE QUICK COUPLER	15	04



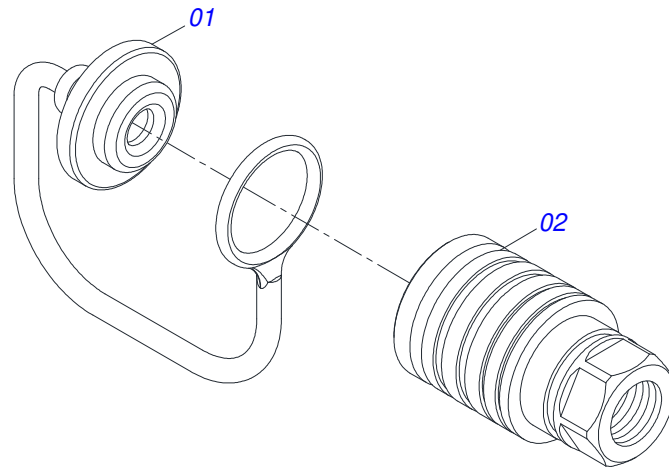
PD JD - S/A
PACKED PARTS

Page 14
0511032676

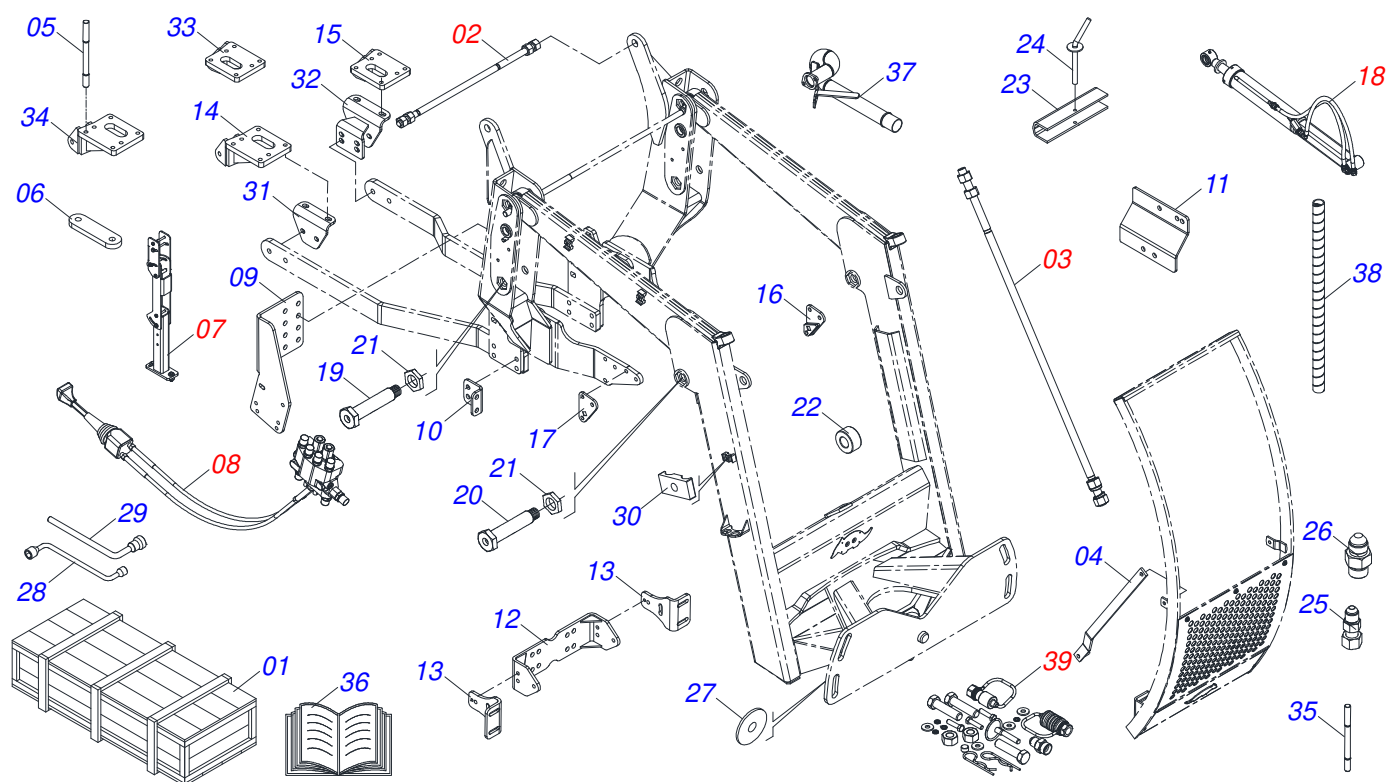
Item	Code	Description	See page	QT
32	0501053835	FEMALE QUICK COUPLER	16	02
33	0503010217	501040 CLAMPING RING (FOR AXLE)		04
34	0503030168	HITCH PIN CLIP		02
35	0503010002	1800 GREASE FITTING		06
36	0503013527	CLAMP ZIPER		10
37	0503019335	METRIC NUT		08
38	0503010012	1" SPRING WASHER		08



Item	Code	Description	See page	QT
01	0503011627	MALE QUICK COUPLER AGR 1/2 NPT		01
02	0503011882	MALE QUICK COUPLER CAP		01



Item	Code	Description	See page	QT
01	0503011883	QUICK CONNECTION COVER		01
02	0503011628	FEMALE QUICK COUPLER		01



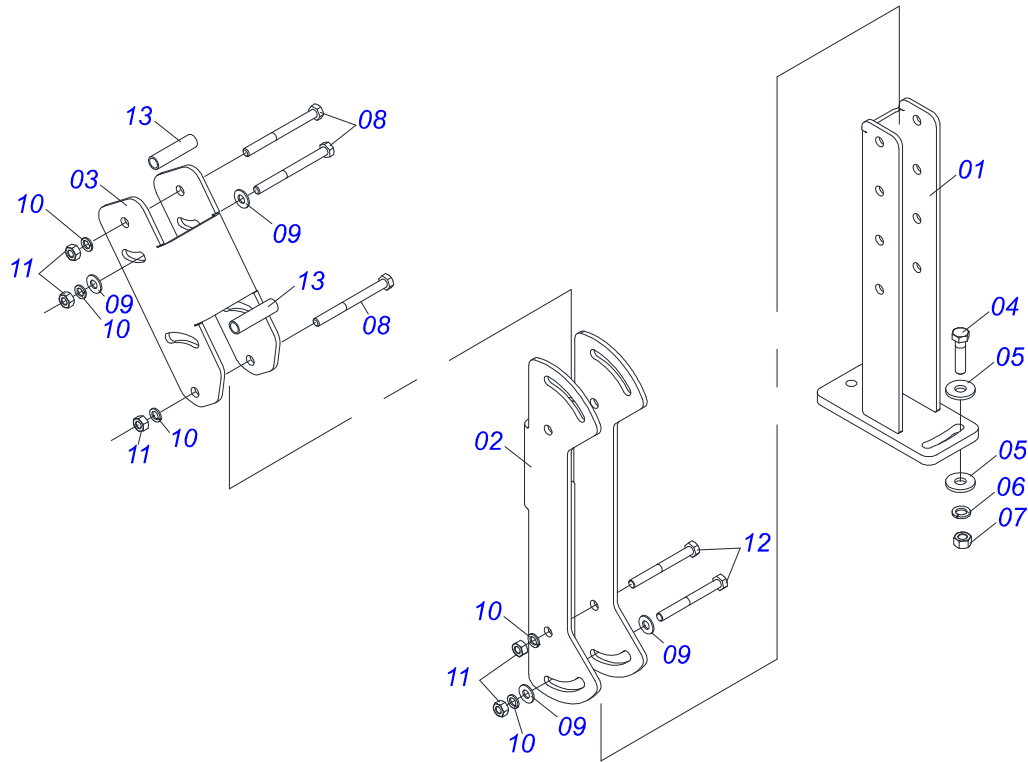
Item	Code	Description	See page	QT
01	0501100416	WOODEN BOX		01
02	0511043351	1.1/4" X 40" ROD	8	01
03	0501041427	1.1/4" NC X 1540 ASSY ROD	9	02
04	0531060373	SWIVELING BAR		02
05	0561017654	M20 X 2.5 X 270 THREADED ROD ZN		08
06	0561013399	FRAME SUPPORT BEARING HANGER		02
07	0521045393	SET SUPPORT JOY STICK	18	01
08	0521047176	COMMAND	19	01
09	0581014119	FIXER BASE		01
10	0581015280	TOOL BOX SUPPORT		01
11	0591011706	TOOL BOX FIXING PLATE		01
12	0521064256	MOBILE SUPPORT GUIDE FIXER		01
13	0571010158	FIXER GUIDE MOBILE SUPPORT		02
14	0521067233	DIFFERENTIAL RIGHT BEARING HANGER		01
15	0521067232	DIFFERENTIAL LEFT BEARING HANGER		01
16	0531060375	LOCK LEFT FRAME		01
17	0531060374	LOCK RIGHT FRAME		01
18	0909096368	HYDRAULIC CIRCUIT	20	01
19	0581013410	1.1/4" UNF X 155 BOLT		04
20	0581013378	GREASE SCREW		02
21	0581010243	WASHER HEX		06
22	0531016799	SLEEVE 34,93 X 16,50 X 20		02
23	0531017238	LOCK TRANSPORT		02
24	0501068994	8,30 X 78 LOCK PIN		02
25	0521066467	NIPPLE FITTING 3/4 UNF X R. 1.3/16 UN		01
26	0581013664	NIPPLE FITTING 7/8 UNF JICX1.3/16 UN OFSX58		01
27	0501010574	FLAT WASHER		04
28	0501068213	5/8" WRENCH DOUBLE		01
29	0501061617	1" GANG BOLT WRENCH		01
30	0502010477	HOSE CLAMP		08
31	0581012566	REAR BAR FIXATION BEARING HANGER		01



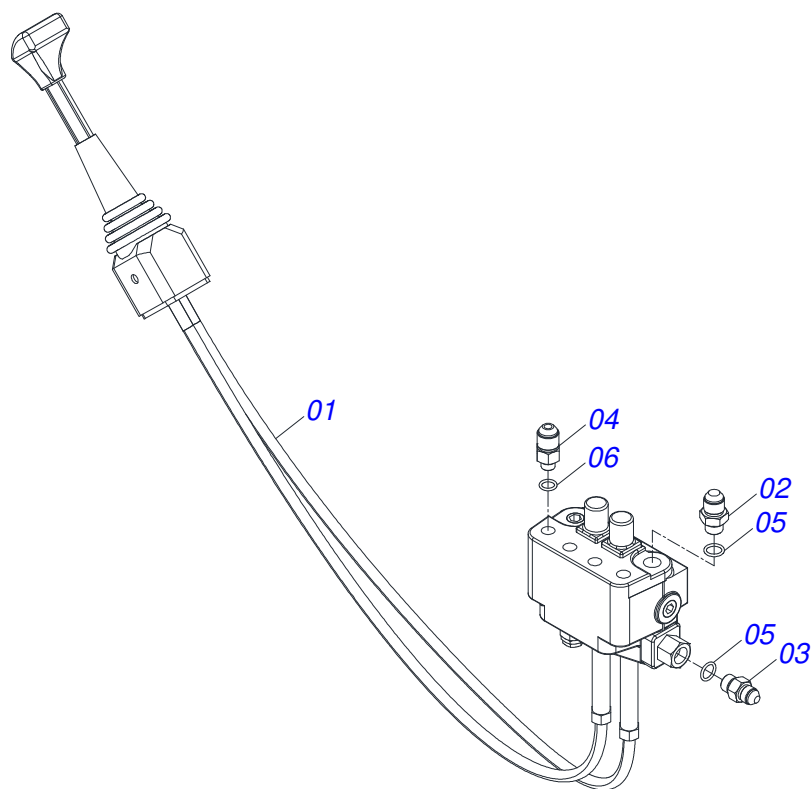
BOX WITH COMPONENTS

0521023236

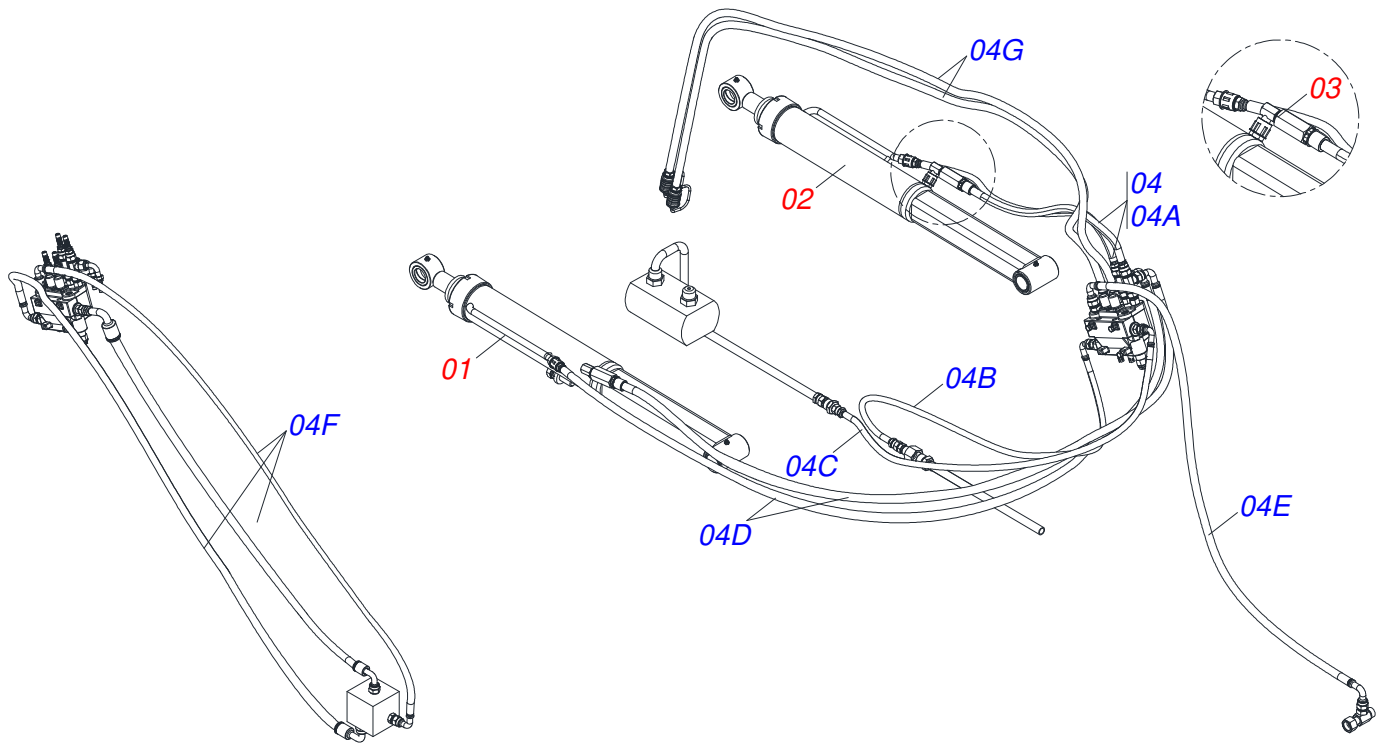
Item	Code	Description	See page	QT
32	0521067229	BEARING HANGER LEFT		01
33	0521069404	LEFT BEARING HANGER		01
34	0521069403	RIGHT BEARING HANGER		01
35	0503034789	PRISONER		08
36	0511033668	BAG WITH INSTRUCTION MANUAL		01
37	0531062376	ESCAPEMENT COMPLEMENT		01
38	0581010090	SPRING PROTECTION PLASTIC HOSE		02
39	0511032680	PACKED PARTS	21	01



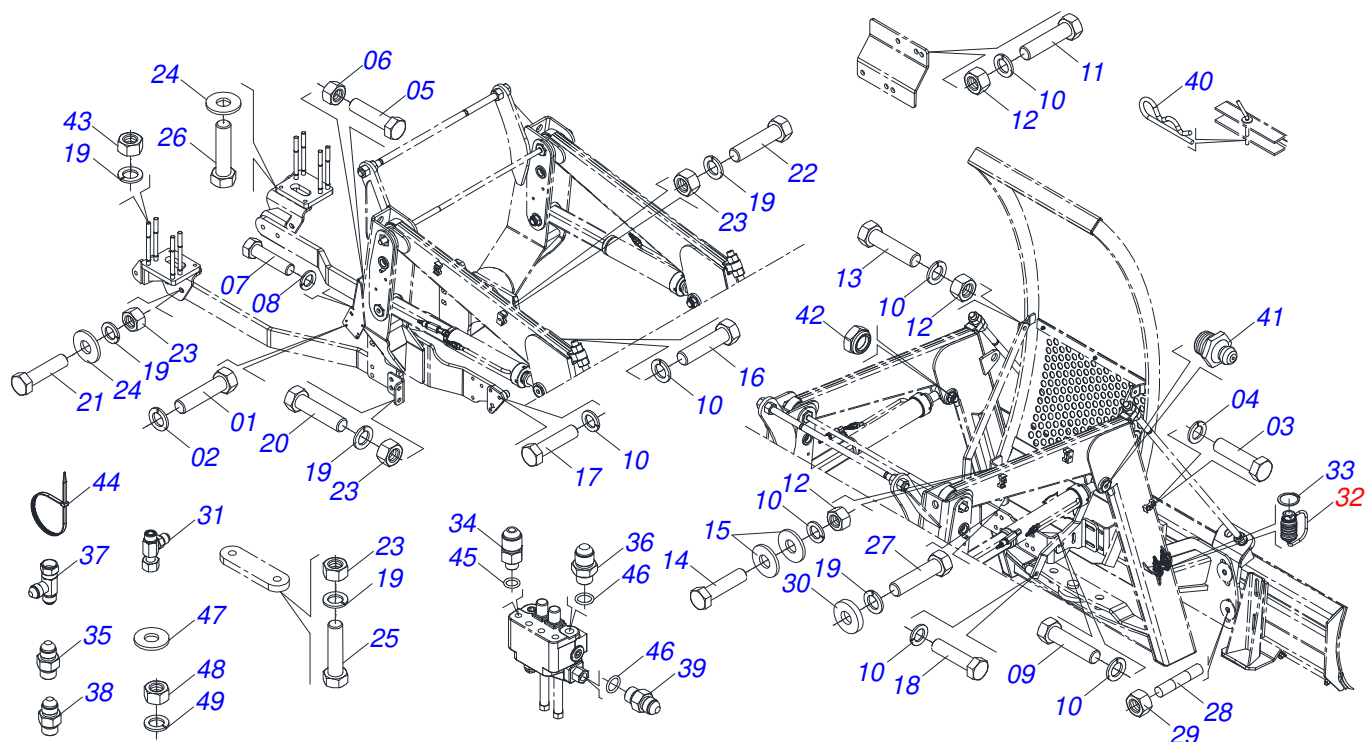
Item	Code	Description	See page	QT
01	0521065789	LOWER JOYSTICK SUPPORT		01
02	0571018376	CENTRAL BODY SUPPLEMENT OF JOYSTICK		01
03	0571018375	SUPERIOR BODY SUPPLEMENT OF JOYSTICK		01
04	0503010849	3/8" X 1-1/2" BOLT		02
05	0501010984	FLAT WASHER		02
06	0503010025	3/8" SPRING WASHER		02
07	0503010026	3/8" NUT		02
08	0503010848	5/16" X 3.1/2" BOLT		04
09	0501010694	FLAT WASHER		06
10	0503010179	LOCK WASHER		06
11	0503010337	5/16" NUT		06
12	0503011053	5/16" X 3" C S 6.5 ZN BOLT		02
13	0541015551	0.39" X 0.512" X 1.9" SLEEVE		02



Item	Code	Description	See page	QT
01	0503062412	COMPLETE JOYSTICK CONTROL		01
02	0501011460	7/8 NF REDUCTION NIPPLE		01
03	0501010617	3/4" NIPPLE		02
04	0581013379	R.7/8 X 9/16 X 50 (SEXT 22,23) NIPPLE		04
05	0503012905	2113 O'RING		03
06	0503013161	2-013 N 3006-9B O'RING		04



Item	Code	Description	See page	QT
01	0521050158	44,45 X 85,72 X 1049 X 360 - LEFT HYDRAULIC CYLINDER	11	01
02	0521050157	44,45 X 85,72 X 1049 X 360 - RIGHT HYDRAULIC CYLINDER	12	01
03	0511057771	R.7/8UNF - SAFETY VALVE	13	02
04	0521056976	HOSE KIT		01
04A	0501080035	1/2" X 900 TR-TR HOSE		02
04B	0501080714	3/8 X 1600 TR-TC HOSE		01
04C	0501080451	3/8" X 94.5" TR-TC HOSE ASSY		01
04D	0501080016	1/2 X 2800 TR-TC HOSE		02
04E	0501080041	HOSE 1/2 X 2800 TC-TC		01
04F	0501080273	1/2 X 2700 HOSE TC-TC		03
04G	0501080308	1/2 X 2750 TR-TM HOSE		02



Item	Code	Description	See page	QT
01	0503016506	5/16 UNC X 3/4 C S G.5 ZN BOLT	04	
02	0503010179	LOCK WASHER	04	
03	0503011135	BOLT	04	
04	0503010180	7/16" SPRING WASHER	04	
05	0501010063	1/2" X 1-1/2" BOLT	02	
06	0503011336	1/2" HEX SELF ADJUSTING NUT	02	
07	0503010479	BOLT	01	
08	0503010019	1/2" SPRING WASHER	01	
09	0503010962	5/8" X 1-1/4" BOLT	02	
10	0503010027	5/8" SPRING WASHER	22	
11	0503011267	BOLT 5/8 UNC X 1.1/2 C S G.5 ZN	04	
12	0503010013	5/8" NUT	12	
13	0501010100	SCREW 5/8 UNC X 2 CS G.5 ZN	02	
14	0503010899	5/8" X 2-1/4" BOLT	06	
15	0501012140	FLAT WASHER	10	
16	0503011730	M16 X 2 X 60 BOLT	04	
17	0503012693	M16 X 2 X 75 BOLT	02	
18	0503012833	M16 X 2 X 90 BOLT	02	
19	0503010023	3/4" SPRING WASHER	38	
20	0501010098	3/4" UNC BOLT	02	
21	0501010500	3/4"X3"BOLT	10	
22	0503014006	3/4" X 2-1/2" BOLT	02	
23	0503010014	3/4" NUT	22	
24	0501010322	FLAT WASHER	20	
25	0503011857	3/4" X 10" BOLT	04	
26	0503011322	M20 X 2,5 X 50 BOLT	04	
27	0503013111	M20 X 2,5 X 65 BOLT	12	
28	0561016755	PRISONER 1 UNC X 1 UNC X 76 ZN	04	
29	0501010059	1.5/8 NUT	04	
30	0591010147	FLAT WASHER	04	
31	0521068067	ADAPTER WITH ROTATING NUT	01	



PD JD - S/A
PACKED PARTS

Page 21
0511032680

Item	Code	Description	See page	QT
32	0501053835	FEMALE QUICK COUPLER	16	02
33	0503010217	501040 CLAMPING RING (FOR AXLE)		04
34	0581013379	R.7/8 X 9/16 X 50 (SEXT 22,23) NIPPLE		04
35	0561018342	1" NF NIPPLE		01
36	0571019584	7/8 UNF NIPPLE		01
37	0503062177	7/8 (V.C) T-ADAPTER WITH NUT		02
38	0521014704	HOSE NIPPLE 3/4 UNF		01
39	0501010617	3/4" NIPPLE		02
40	0503030168	HITCH PIN CLIP		02
41	0503010002	1800 GREASE FITTING		06
42	0503010044	1-1/4" SELF LOCKING NUT		06
43	0503015985	M20 X 2.5 ZN HEXAGONAL NUT		08
44	0503013527	CLAMP ZIPER		10
45	0503013161	2-013 N 3006-9B O'RING		04
46	0503012905	2113 O'RING		03
47	0501010694	FLAT WASHER		01
48	0503019335	METRIC NUT		08
49	0503010012	1" SPRING WASHER		08



MARCHESAN

Technical Publications | Elaboration and Revision

LORENA ROCHA ALVES

www.marchesan.com.br

