

PCA 600/PCA PLUS 1500

PCA 600 / PCA PLUS 1500 - JD - S/A

Code: 0501093252

Series: S-0117

Revision: 00

Date Revision: MAIO/2022

PARTS CATALOGUE



MARCHESAN



PRODUCTS

Code	Description
0106111896	PCA 600 JD 5075 A 5090 BT CDC ESP S-0117
0106111897	PCA 600 JD 5075 A 5090 BT CDC ESP S-0117
0106111878	PCA 600 JD 5075 A 5090 BT SC ESP S-0117
0106111900	PCA PLUS 1500 JD 5075 A 5090 BT ESP S-0117
0106111899	PCA PLUS 1500 JD 5075 A 5090 BT ESP S-0117
0106111898	PCA PLUS 1500 JD 5075 A 5090 BT SC ESP S-0117

ATTENTION: IMPORTANT

Marchesan S.A. reserves the right to improve and/or modify the technical features of its products, without obligation to do the same with those products already sold and without prior knowledge of the dealer or the consumer. The photos are only illustrative.

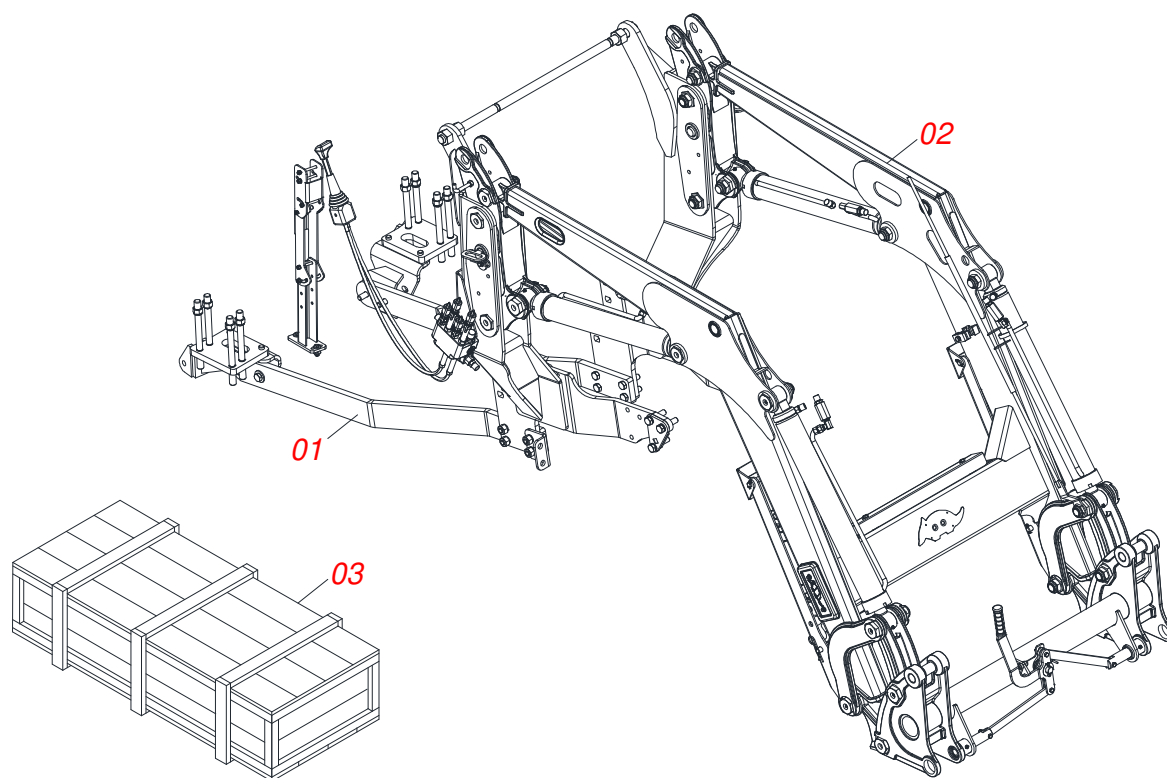


MARCHESAN

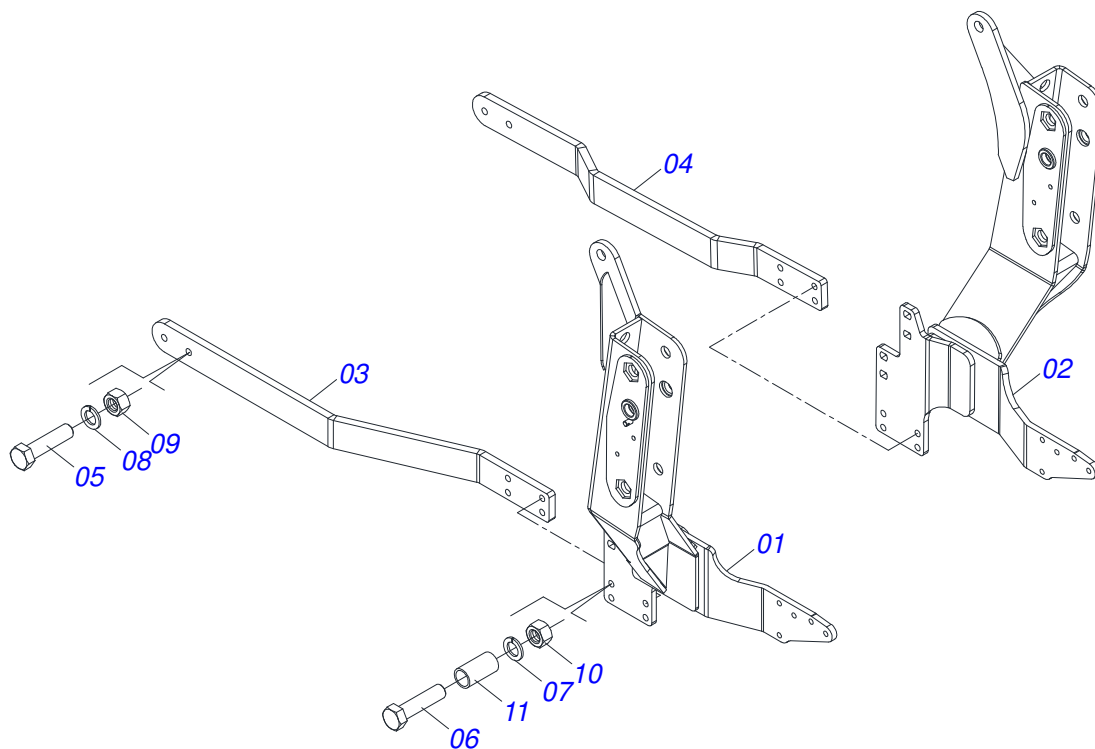
INDEX

0909096321	ASSY FRAME	1
0521047201	WITH REAR BAR CHASSIS SET	2
0531041063	MOBILE SUPPORT ASSY - PCA 600	3
0909096310	HYDRAULIC ASSEMBLY	4
0521050256	RIGHT HYDRAULIC CYLINDER 44,45 X 76,20 X 845 X 555	5
0521050255	LEFT HYDRAULIC CYLINDER 44,45 X 76,20 X 845 X 555	6
0521045380	RIGHT HYDRAULIC CYLINDER Ø44,45 X 76,20 X 845 X 555	7
0521045379	LEFT HYDRAULIC CYLINDER Ø44,45 X 76,10 X 918	8
0511057772	SECURITY VALVE ASSY	9
0909096311	JACK ASSEMBLY	10
0909096312	ARTICULATION ASSEMBLY	11
0531041066	MOVING SUPPORT - PCA PLUS 1500	12
0909096313	HYDRAULIC ASSEMBLY	13
0511058222	HYDRAULIC CYLINDER RIGHT	14
0511058221	HYDRAULIC CYLINDER LEFT	15
0909096314	JACK ASSEMBLY	16
0909096315	ARTICULATION ASSEMBLY	17
0521026994	BOX WITH COMPONENTS	18
0511043351	1.1/4" X 40" ROD	19
0511034118	PACKED PARTS	20
0501053834	MALE QUICK COUPLER	21
0521023238	BOX WITH COMPONENTS	22
0521045393	SET SUPPORT JOY STICK	23
0521045489	BLOCK COMMAND	24
0511032682	PACKED PARTS	25
0521023239	BOX WITH COMPONENTS	26
0521045676	COMPLETE SET COMMAND	27
0511032683	PACKED PARTS	28
0501053835	FEMALE QUICK COUPLER	29

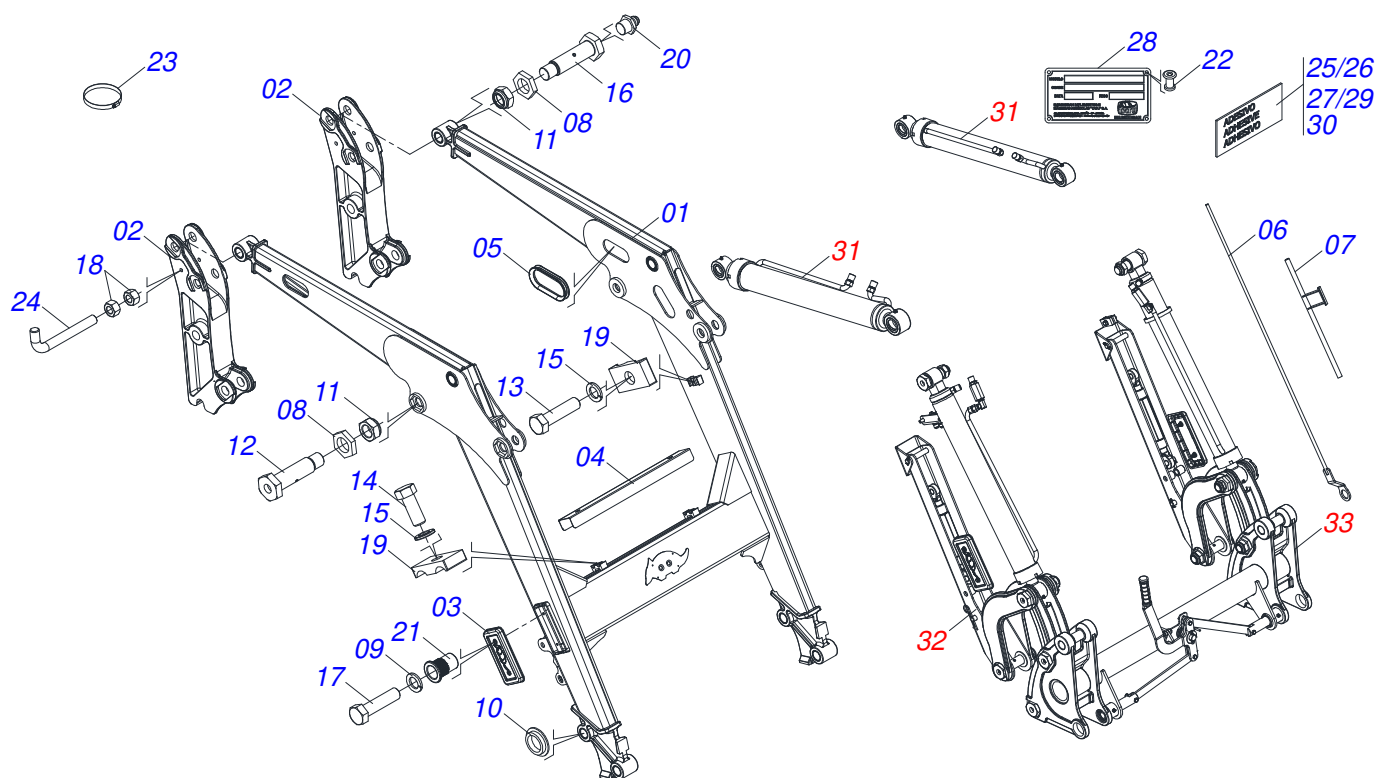
ASSY FRAME



Item	Code	Description	See page	PCA 600	PCA PLUS 1500
01	0521047201	WITH REAR BAR CHASSIS SET	2	01	01
02	0531041063	MOBILE SUPPORT ASSY - PCA 600	3	01	00
02.	0531041066	MOVING SUPPORT - PCA PLUS 1500	12	00	01
03	0521026994	BOX WITH COMPONENTS	18	01	01
03.	0521023238	BOX WITH COMPONENTS	22	01	01
03..	0521023239	BOX WITH COMPONENTS	26	01	01



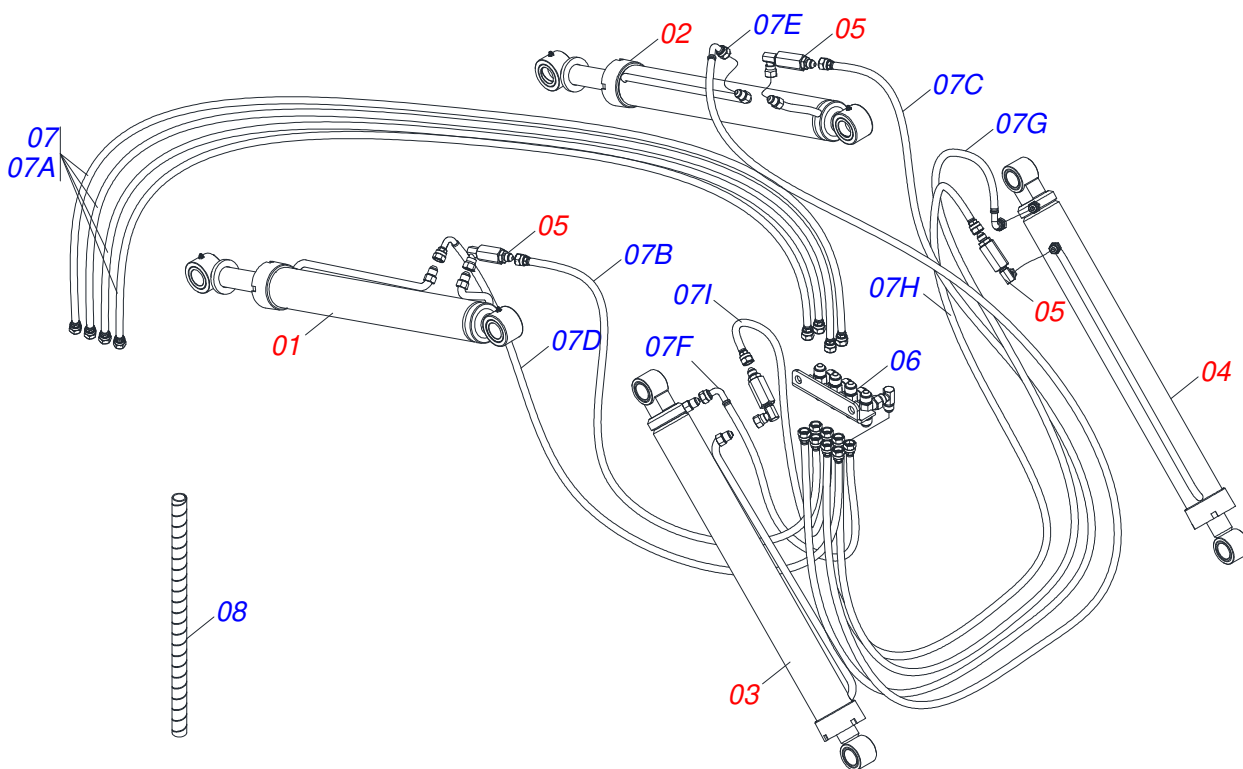
Item	Code	Description	See page	QT
01	0521067739	FRAME RIGHT		01
02	0521067740	FRAME LEFT		01
03	0581012569	RIGHT REAR BAR		01
04	0581012570	LEFT REAR BAR		01
05	0503010233	5/8" X 2-1/2" BOLT		02
06	0503011084	3/4" X 5" BOLT		04
07	0503010023	3/4" SPRING WASHER		04
08	0503010027	5/8" SPRING WASHER		02
09	0503010013	5/8" NUT		02
10	0503010014	3/4" NUT		04
11	0581015170	SLEEVE		04



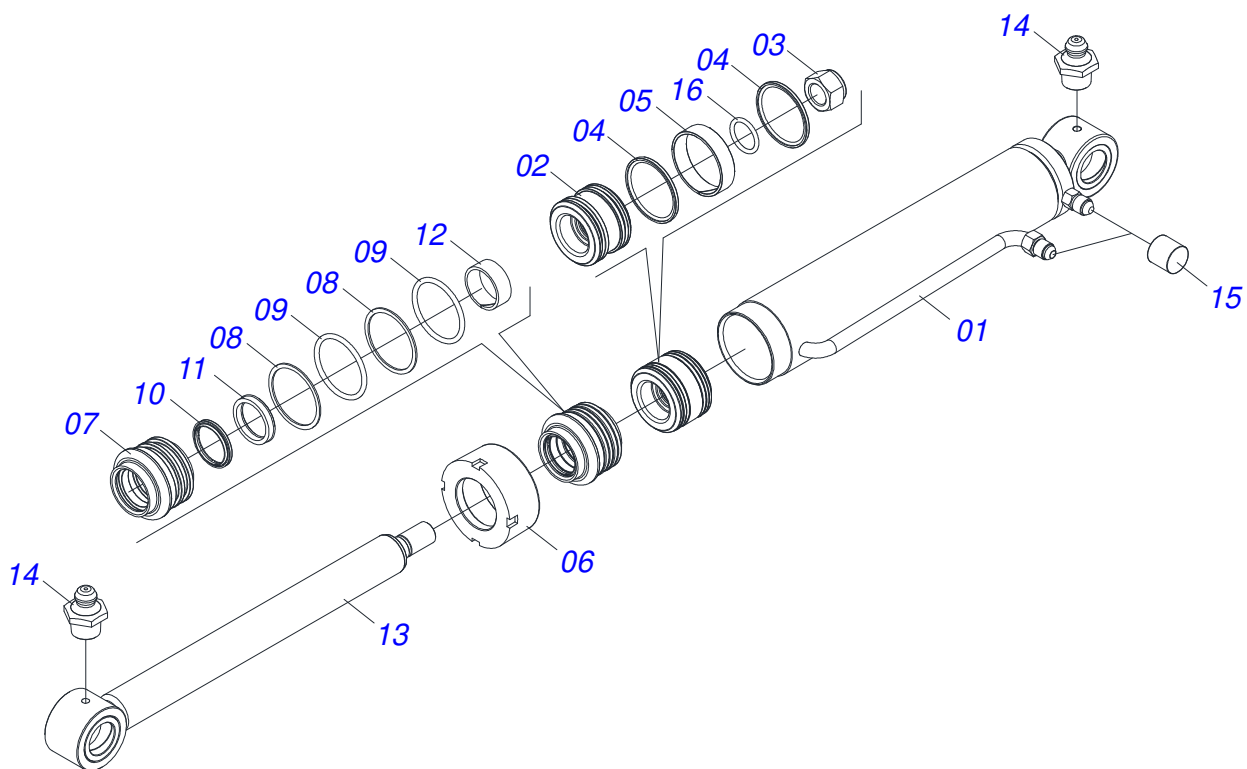
Item	Code	Description	See page	QT
01	0531060872	MOVING SUPPORT		01
02	0502012950	TOWER		02
03	0503035448	COVER		02
04	0581017751	HOSE PROTECTION		01
05	0503034364	HOSE PROTECTOR		02
06	0521068692	LEVEL ROD		01
07	0521067968	ROD GUIDE		01
08	0581010243	WASHER HEX		06
09	0503010143	1/4" SPRING WASHER		04
10	0591010982	WASHER SPACER		04
11	0503010044	1-1/4" SELF LOCKING NUT		08
12	0581013575	1.1/4 UNF X 85 BOLT		04
13	0503012555	SCREW 7/16 UNC X 2 CS RT G.7 ZN		03
14	0503011338	7/16" X 1" BOLT		02
15	0503010180	7/16" SPRING WASHER		05
16	0571018264	1.1/4" UNF X 149 ZN BOLT		04
17	0503010461	1/4" X 1" BOLT		04
18	0503010060	1/2" NUT		02
19	1902010477	UPPER CLAMP BODY		04
20	0503010002	1800 GREASE FITTING		12
21	0503019901	INTERNAL THREAD RIVET RM 1/4 P30S		04
22	0503010001	3.2 X 5.5 RIVET		04
23	0503011372	102 TO 121 CLAMP		01
24	0581010285	CONTROL LOCKING HOOK		01
25	0503031087	ADHESIVE LABEL		01
26	0503031428	READ MANUAL DECAL		01
27	0503031827	LUBRICATE AND RETIGHTEN DAILY DECAL		01
28	0503034003	SERIAL NUMBER TAG 61 X 118		01
29	0503034078	LIFTING POINTS DECAL		01
30	0503062658	SET LABEL ADHESIVE		01
31	0909096310	HYDRAULIC ASSEMBLY	4	01



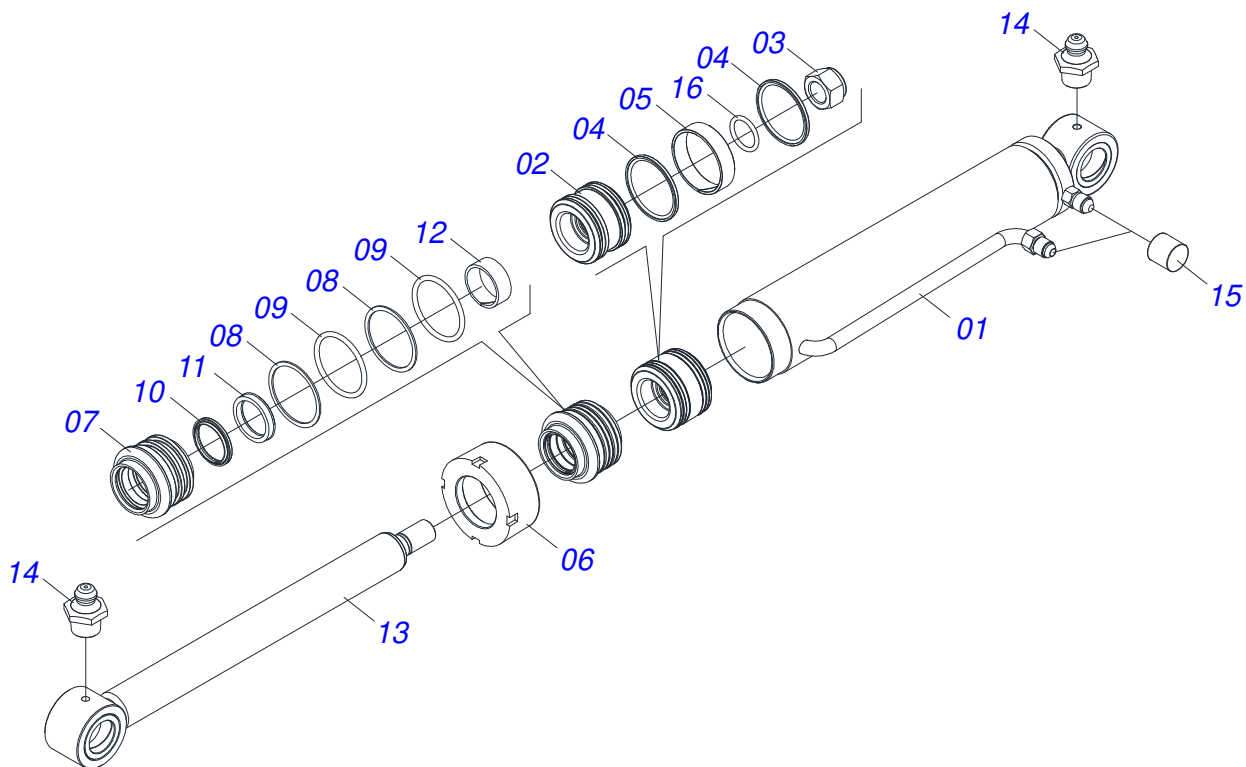
Item	Code	Description	See page	QT
32	0909096311	JACK ASSEMBLY	10	01
33	0909096312	ARTICULATION ASSEMBLY	11	01



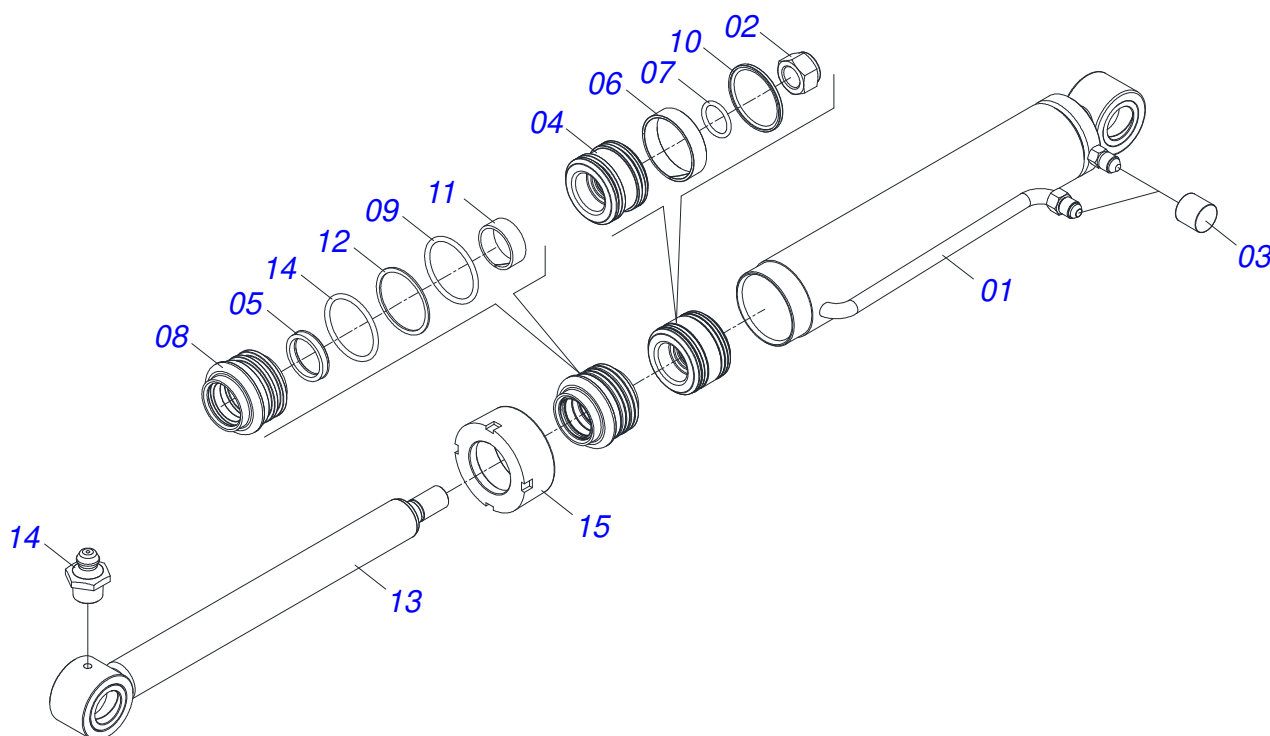
Item	Code	Description	See page	QT
01	0521050256	RIGHT HYDRAULIC CYLINDER 44,45 X 76,20 X 845 X 555	5	01
02	0521050255	LEFT HYDRAULIC CYLINDER 44,45 X 76,20 X 845 X 555	6	01
03	0521045380	RIGHT HYDRAULIC CYLINDER Ø44,45 X Ø76,10 X 7918		01
04	0521045379	LEFT HYDRAULIC CYLINDER Ø44,45 X Ø76,10 X 8918		01
05	0511057772	SECURITY VALVE ASSY	9	04
06	0521069023	HOSE DIVIDER PCA 600 2C		02
07	0511056982	HOSE SET MOBILE SUPPORT		01
07A	0501080452	3/8" X 98" TR-TR HOSE		04
07B	0501080127	HOSE		01
07C	0501080483	3/8" X 86,6" TR-TR HOSE		01
07D	0501080348	3/8 X 1200 TR-TC HOSE		01
07E	0501080451	3/8" X 94,5" TR-TC HOSE ASSY		01
07F	0501080375	3/8 X 600 TR-TC HOSE		01
07G	0501080419	3/8 X 2100 TR-TC HOSE		01
07H	0501080320	3/8" X 82,6" TR-TR HOSE		01
07I	0501080027	3/8" X 39,3" TR-TR HOSE ASSY		01
08	0571014419	PLASTIC PROTECTION SPRING HOSE 3/4 X 700MM		01



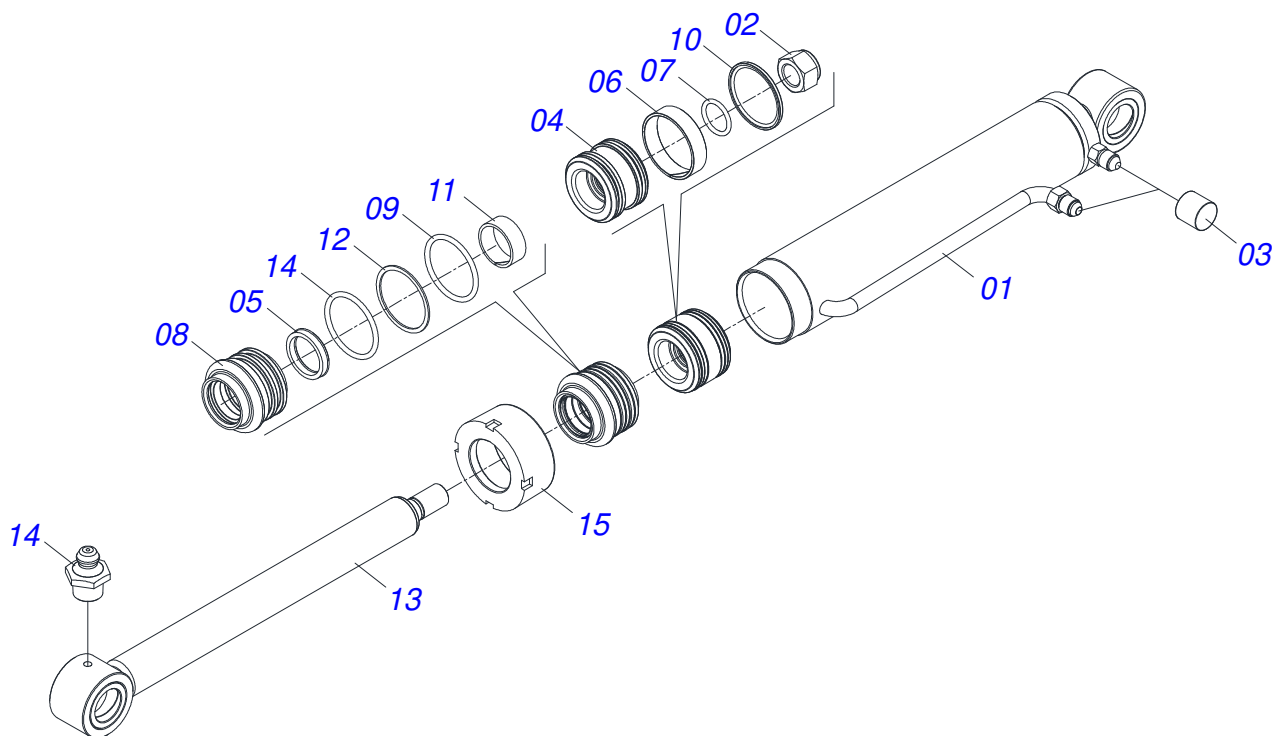
Item	Code	Description	See page	QT
01	0521067485	76,20 X 740,50 RIGHT CYLINDER CASE		01
02	0581010304	PISTON		01
03	0503010063	1" SELF-ALIGNING NUT		01
04	0503018138	RING BS		02
05	0503018140	RING GUIDE		01
06	0502011899	MOBILE COVER		01
07	0581010301	RING SUPPORT		01
08	0503011059	8-334 BACK-UP RING		02
09	0503010343	2-334 N 3006-9B O'RING		02
10	0503010761	D-1750 SCRAPER RING		01
11	0503017937	GASKET		01
12	0503017938	RING GUIDE		01
13	0521067543	44,45 X 774 AIR TURNBUCKLE		01
14	0503010002	1800 GREASE FITTING		02
15	0503030385	CYLINDER PLUG N-002		02
16	0503010042	2-214 N 3006-9B O'RING		01
17	0511032293	HYDRAULIC CYLINDER REPAIR KIT		01



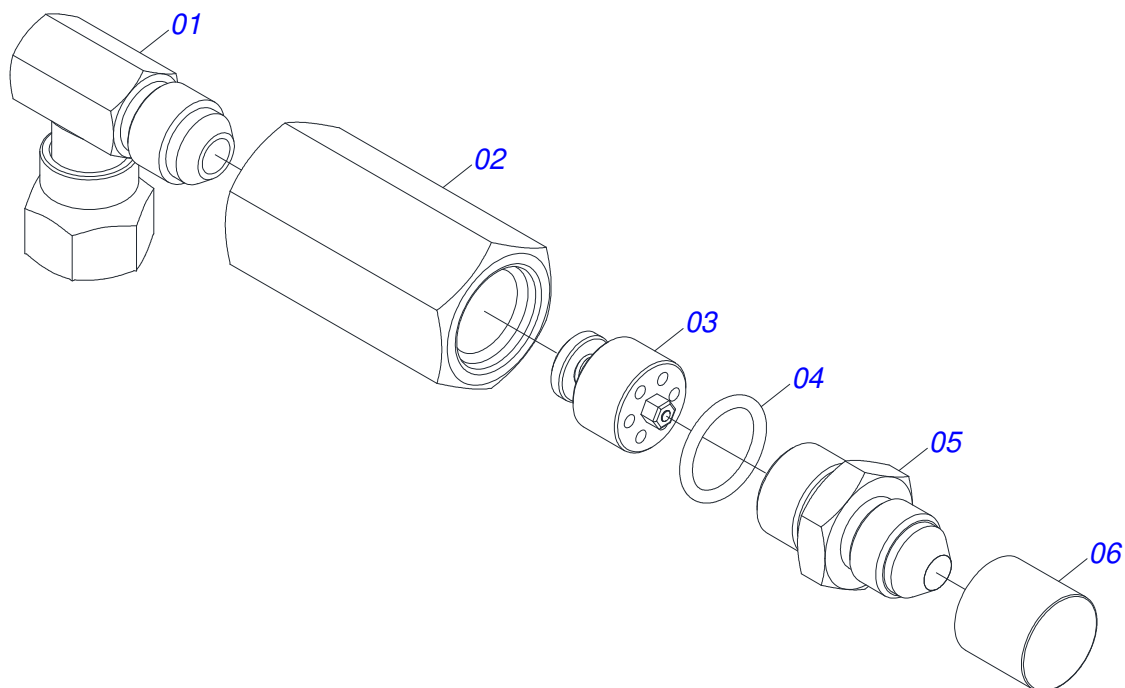
Item	Code	Description	See page	QT
01	0521067486	76,20 X 740,50 LEFT CYLINDER CASE		01
02	0581010304	PISTON		01
03	0503010063	1" SELF-ALIGNING NUT		01
04	0503018138	RING BS		02
05	0503018140	RING GUIDE		01
06	0502011899	MOBILE COVER		01
07	0581010301	RING SUPPORT		01
08	0503011059	8-334 BACK-UP RING		02
09	0503010343	2-334 N 3006-9B O'RING		02
10	0503010761	D-1750 SCRAPER RING		01
11	0503017937	GASKET		01
12	0503017938	RING GUIDE		01
13	0521067543	44,45 X 774 AIR TURNBUCKLE		01
14	0503010002	1800 GREASE FITTING		02
15	0503030385	CYLINDER PLUG N-002		02
16	0503010042	2-214 N 3006-9B O'RING		01
17	0511032293	HYDRAULIC CYLINDER REPAIR KIT		01



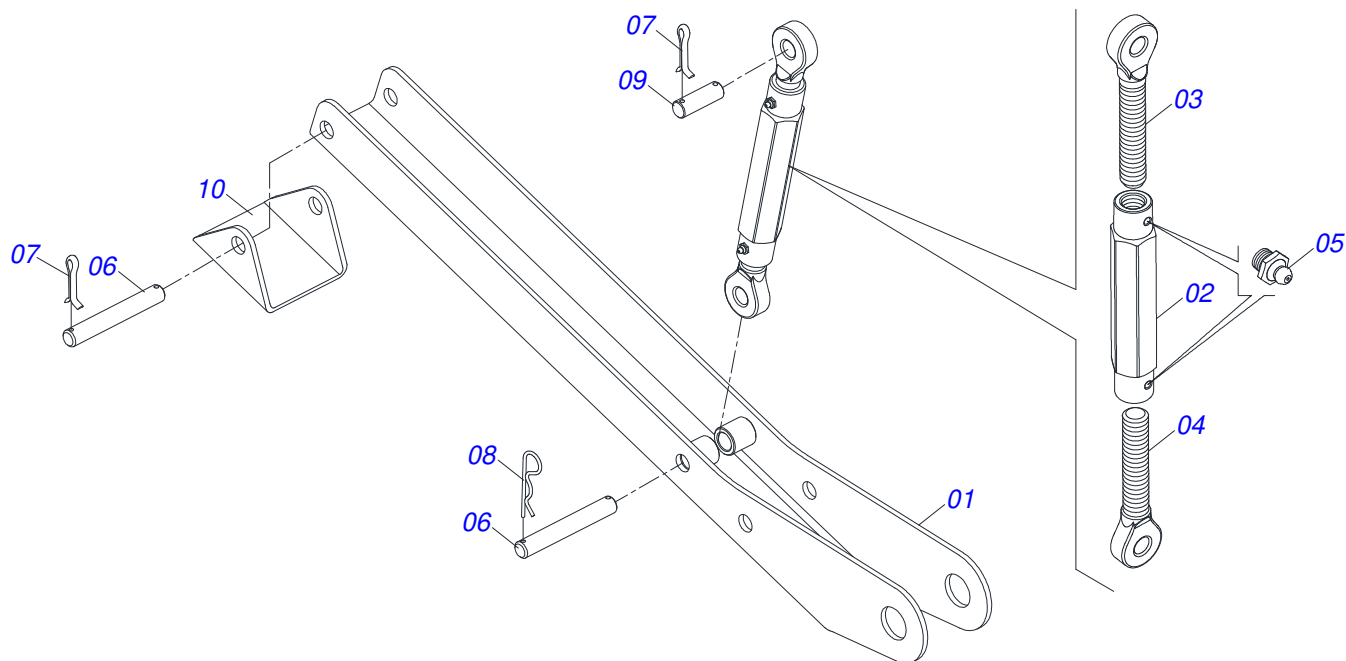
Item	Code	Description	See page	QT
01	0521065843	RIGHT CYLINDER CASE WITH EXTENSION	01	01
02	0503010063	1" SELF-ALIGNING NUT	01	01
03	0503030385	CYLINDER PLUG N-002	02	02
04	0502011898	1.8" X 3.0" PISTON	01	01
05	0503012768	3750-2250 GASKET	02	02
06	0503010992	W2-3000-500 PK RING G.E	01	01
07	0503010042	2-214 N 3006-9B O'RING	01	01
08	0502011897	RING SUPPORT	01	01
09	0503010761	D-1750 SCRAPER RING	01	01
10	0503010990	GASKET	01	01
11	0503010949	W2-2000-500 PK RING G.E	01	01
12	0503011059	8-334 BACK-UP RING	01	01
13	0521065845	Ø 44,45 X 839 WELDED ARTICULATOR	01	01
14	0503010343	2-334 N 3006-9B O'RING	01	01
15	0502011899	MOBILE COVER	01	01
16	0503010002	1800 GREASE FITTING	01	01
17	0501033655	HYDRAULIC CYLINDER REPAIR KIT	01	01



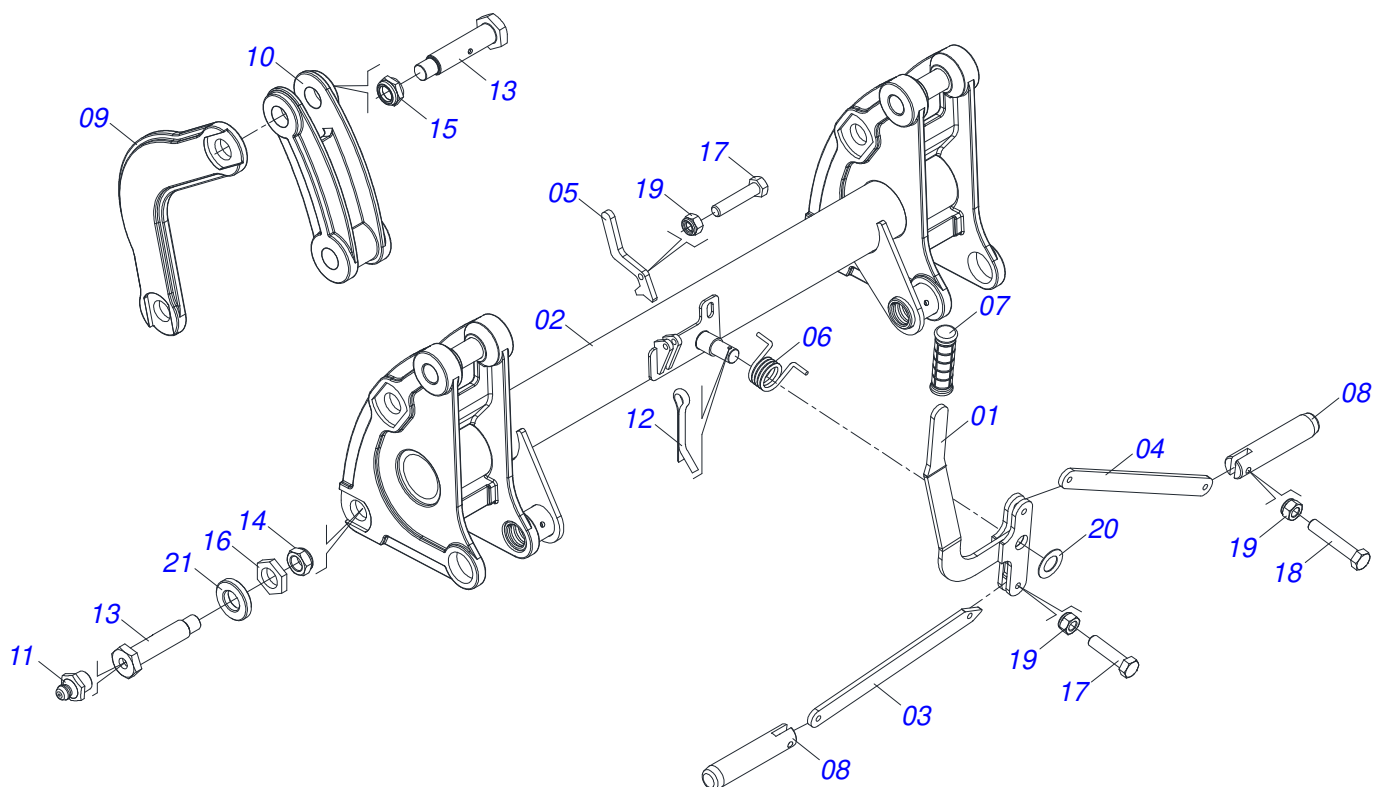
Item	Code	Description	See page	QT
01	0521065842	CYLINDER CASE WITH EXTENSION		01
02	0503010063	1" SELF-ALIGNING NUT		01
03	0503030385	CYLINDER PLUG N-002		02
04	0502011898	1.8" X 3.0" PISTON		01
05	0503012768	3750-2250 GASKET		02
06	0503010992	W2-3000-500 PK RING G.E		01
07	0503010042	2-214 N 3006-9B O'RING		01
08	0502011897	RING SUPPORT		01
09	0503010761	D-1750 SCRAPER RING		01
10	0503010990	GASKET		01
11	0503010949	W2-2000-500 PK RING G.E		01
12	0503011059	8-334 BACK-UP RING		01
13	0521065845	Ø 44,45 X 839 WELDED ARTICULATOR		01
14	0503010343	2-334 N 3006-9B O'RING		01
15	0502011899	MOBILE COVER		01
16	0503010002	1800 GREASE FITTING		01
17	0501033655	HYDRAULIC CYLINDER REPAIR KIT		01



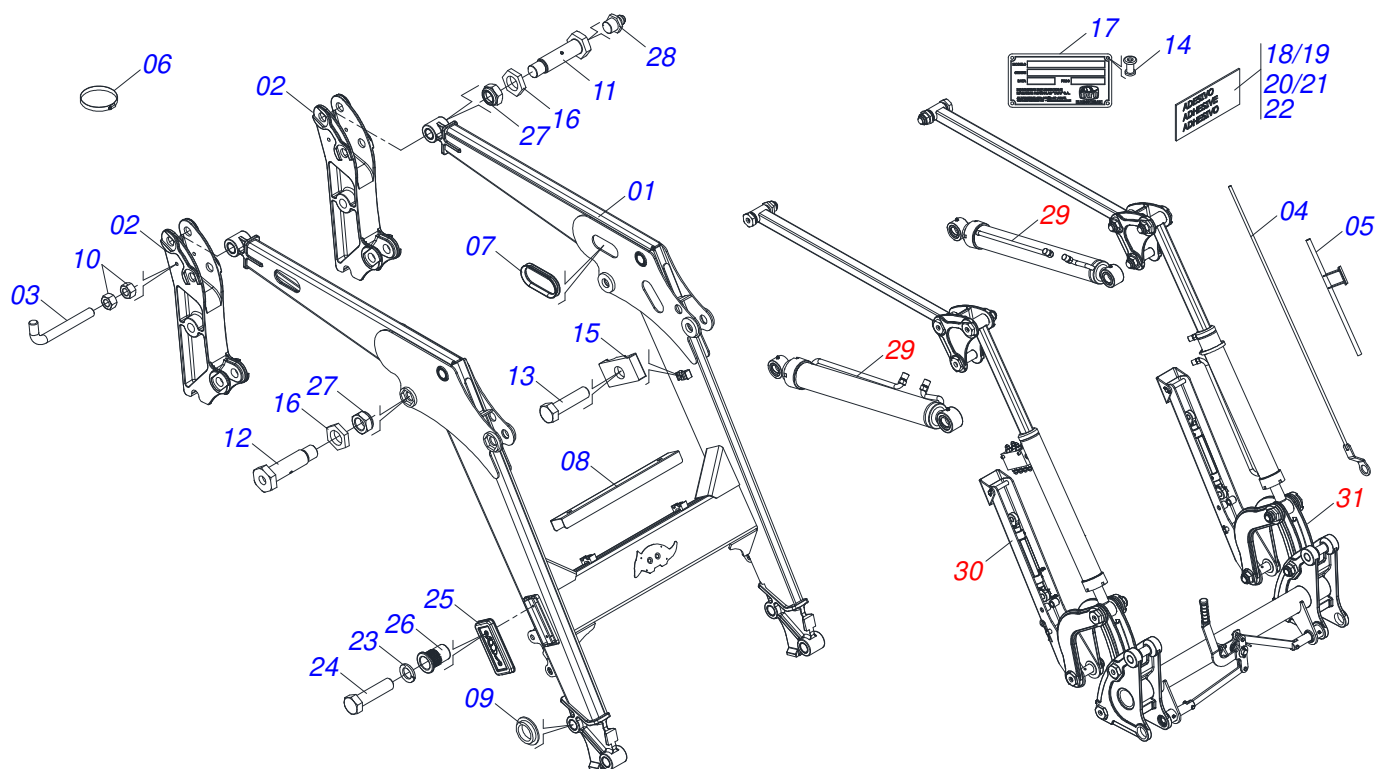
Item	Code	Description	See page	QT
01	0503018034	MALE KNEE JIC		01
02	0581014055	ADAPTER		01
03	0503016854	VALVE ASSY		01
04	0503010045	O'RING		01
05	0581014054	BSP 1/2" NIPPLE		01
06	0503030385	CYLINDER PLUG N-002		01



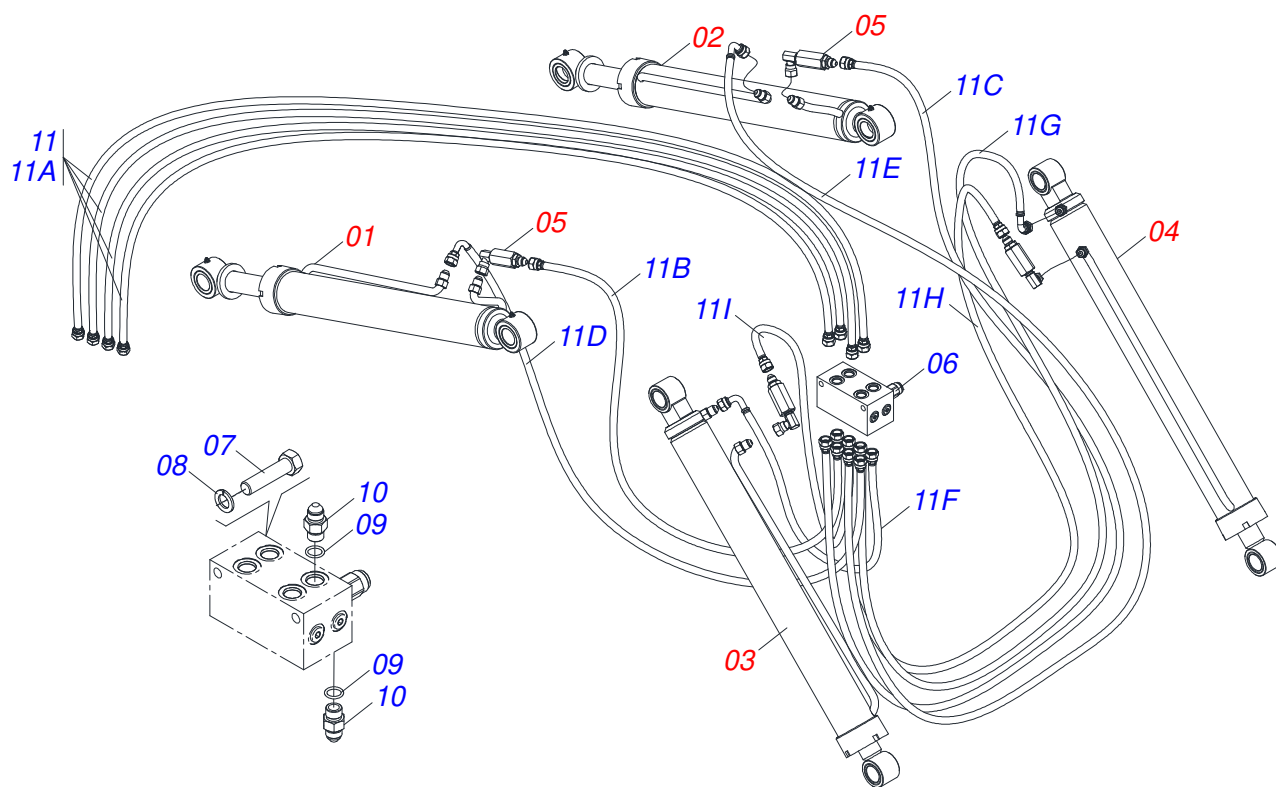
Item	Code	Description	See page	QT
01	0521065756	PLOUGH SUPPORT BODY		02
02	0502012530	REGULATOR NUT BODY R1		02
03	0502012562	LEFT SPINDLE R1 X 160		02
04	0502012529	RIGHT SPINDLE R1 X 160		02
05	0503010002	1800 GREASE FITTING		04
06	0571018253	3/4 X 133 PCA-T 1500 COUPLING SHAFT		04
07	0503010071	3/16" X 1" COTTERPIN		06
08	0503030012	HAIR PIN		02
09	0561015578	3/4 X 56 PCA VTR A750 COUPLING SHAFT		02
10	0571018252	REST BASE		02



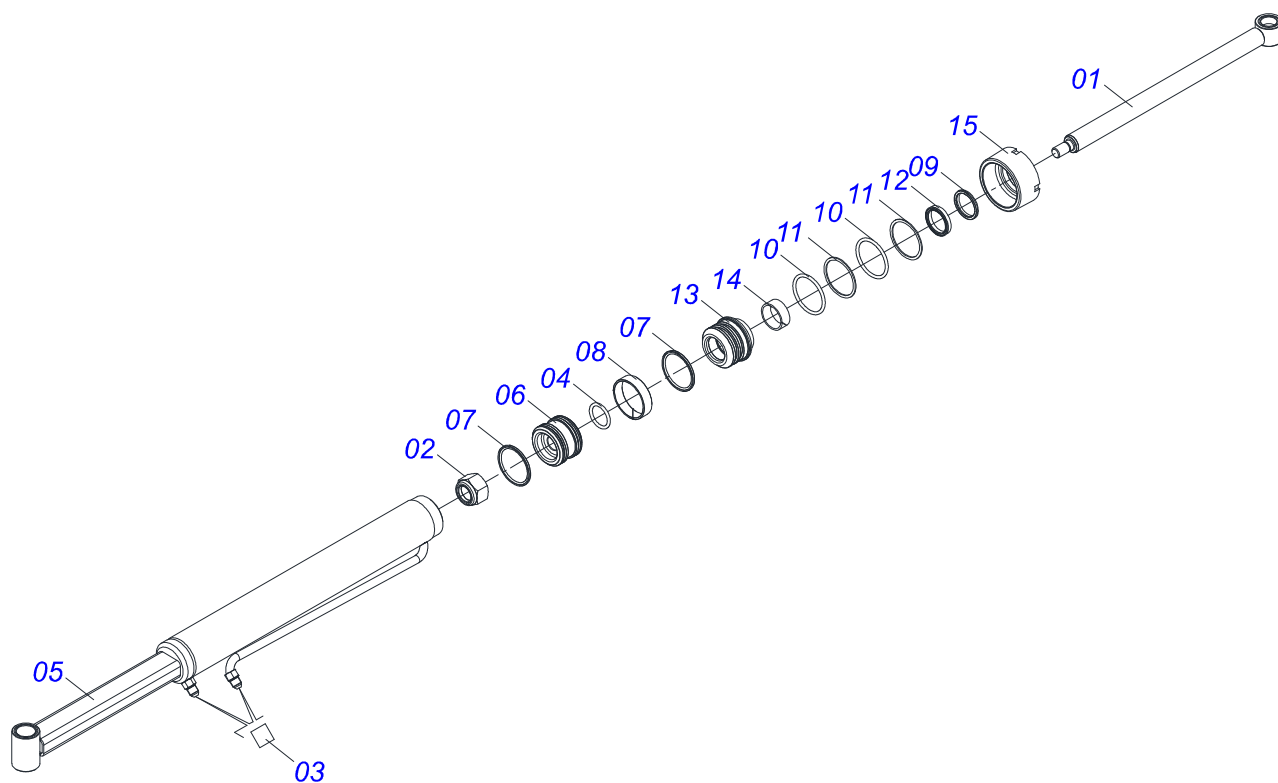
Item	Code	Description	See page	QT
01	0521065888	LEVER		01
02	0531060874	ARTICULATOR		01
03	0571018125	RIGHT ARM OF THE UNLOCK		01
04	0571018935	SPRING SUPPORT ARM		01
05	0571018934	PENDULUM LOCKS		01
06	0503034192	TORSION SPRING		01
07	0503037382	Ø25 X 120 PVC HANDLE		01
08	0571018129	PIN LOCK ACCESSORY		02
09	0502012952	LOWER COPYING ARM		04
10	0502012953	ARTICULATE MINOR BODY		02
11	0503010002	1800 GREASE FITTING		06
12	0503010523	1/4" X 2" COTTERPIN		01
13	0571018245	1.1/4" UNF X 139 BOLT		08
14	0503010044	1-1/4" SELF LOCKING NUT		07
15	0571018205	1.1/4"XUNF NUT WITH RECESS		01
16	0581010243	WASHER HEX		06
17	0503010849	3/8" X 1-1/2" BOLT		03
18	0503011236	3/8" X 2" BOLT		02
19	0503013357	3/8" SELF-ADJUSTING NUT		05
20	0561011883	FLAT WASHER		01
21	0581014204	FLAT WASHER		02



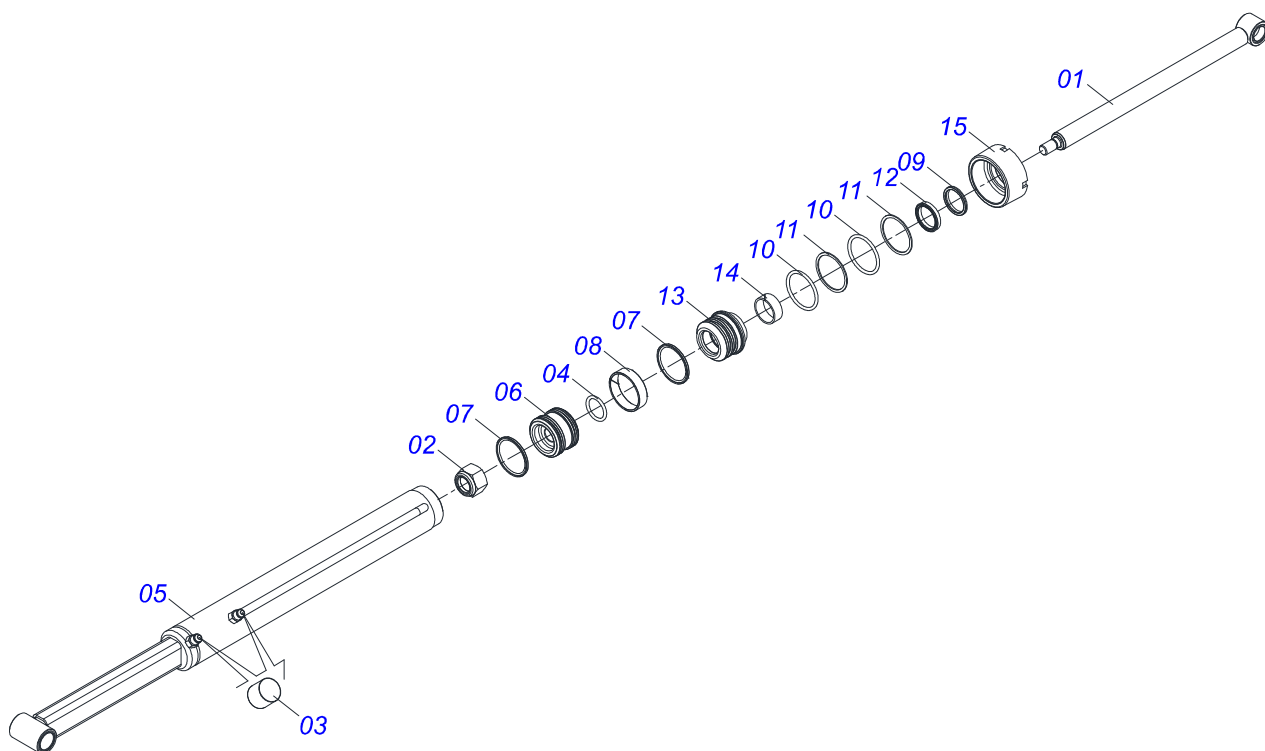
Item	Code	Description	See page	QT
01	0531060872	MOVING SUPPORT		01
02	0502012950	TOWER		02
03	0581010285	CONTROL LOCKING HOOK		01
04	0521068692	LEVEL ROD		01
05	0521067968	ROD GUIDE		01
06	0503011372	102 TO 121 CLAMP		01
07	0503034364	HOSE PROTECTOR		02
08	0581017751	HOSE PROTECTION		01
09	0591010982	WASHER SPACER		04
10	0503010060	1/2" NUT		02
11	0571018264	1.1/4" UNF X 149 ZN BOLT		06
12	0581013575	1.1/4 UNF X 85 BOLT		02
13	0503012555	SCREW 7/16 UNC X 2 CS RT G.7 ZN		03
14	0503010001	3.2 X 5.5 RIVET		04
15	1902010477	UPPER CLAMP BODY		04
16	0581010243	WASHER HEX		08
17	0503034003	SERIAL NUMBER TAG 61 X 118		01
18	0503031827	LUBRICATE AND RETIGHTEN DAILY DECAL		01
19	0503034078	LIFTING POINTS DECAL		01
20	0503031087	ADHESIVE LABEL		01
21	0503031428	READ MANUAL DECAL		01
22	0503062659	SET LABEL ADHESIVE		01
23	0503010143	1/4" SPRING WASHER		04
24	0503010461	1/4" X 1" BOLT		04
25	0503035448	COVER		02
26	0503019901	INTERNAL THREAD RIVET RM 1/4 P30S		04
27	0503010044	1-1/4" SELF LOCKING NUT		08
28	0503010002	1800 GREASE FITTING		18
29	0909096313	HYDRAULIC ASSEMBLY	13	01
30	0909096314	JACK ASSEMBLY	16	01
31	0909096315	ARTICULATION ASSEMBLY	17	01



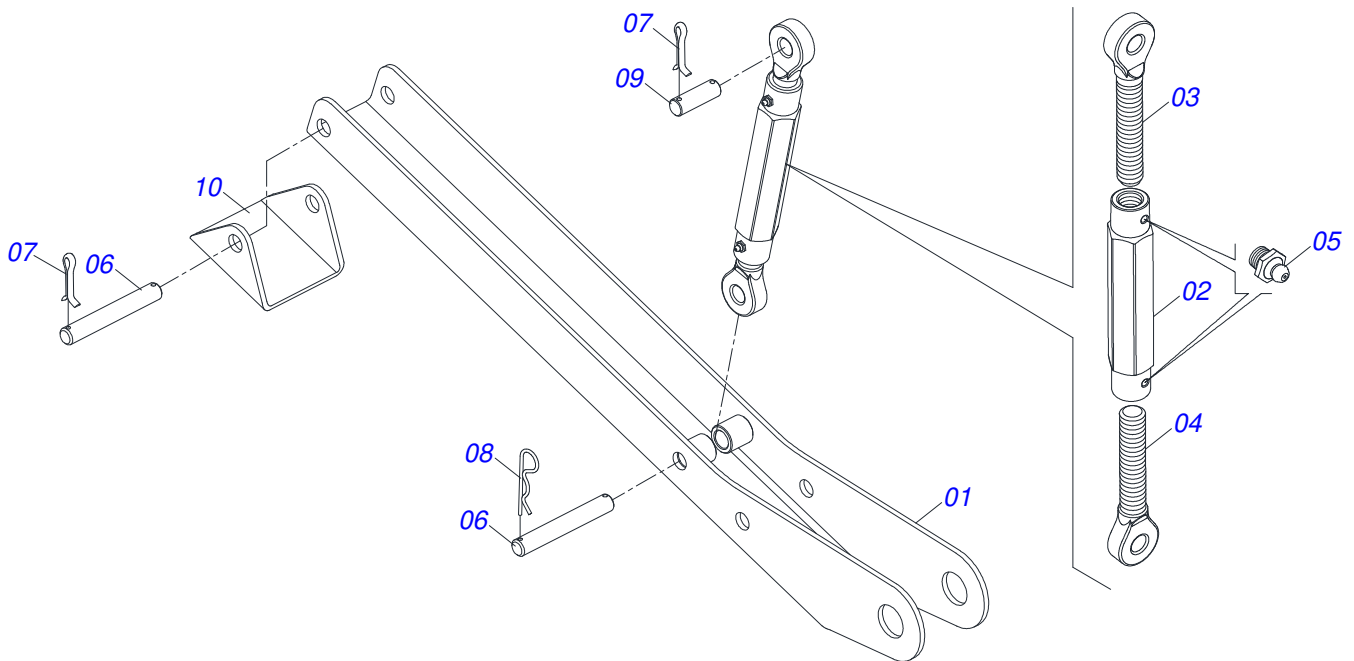
Item	Code	Description	See page	QT
01	0521050256	RIGHT HYDRAULIC CYLINDER 44,45 X 76,20 X 845 X 555	5	01
02	0521050255	LEFT HYDRAULIC CYLINDER 44,45 X 76,20 X 845 X 555	6	01
03	0511058222	HYDRAULIC CYLINDER RIGHT	14	01
04	0511058221	HYDRAULIC CYLINDER LEFT	15	01
05	0511057772	SECURITY VALVE ASSY	9	04
06	0503062416	BLOCK COMMAND		02
07	0503010851	7/16" X 3.1/2" BOLT		02
08	0503010180	7/16" SPRING WASHER		02
09	0503010190	2-114 N 3006-9B O'RING		12
10	0501010617	3/4" NIPPLE		12
11	0511056982	HOSE SET MOBILE SUPPORT		01
11A	0501080452	3/8" X 98" TR-TR HOSE		04
11B	0501080127	HOSE		01
11C	0501080483	3/8" X 86,6" TR-TR HOSE		01
11D	0501080348	3/8 X 1200 TR-TC HOSE		01
11E	0501080451	3/8" X 94.5" TR-TC HOSE ASSY		01
11F	0501080375	3/8 X 600 TR-TC HOSE		01
11G	0501080419	3/8 X 2100 TR-TC HOSE		01
11H	0501080320	3/8" X 82,6" TR-TR HOSE		01
11I	0501080027	3/8" X 39,3" TR-TR HOSE ASSY		01



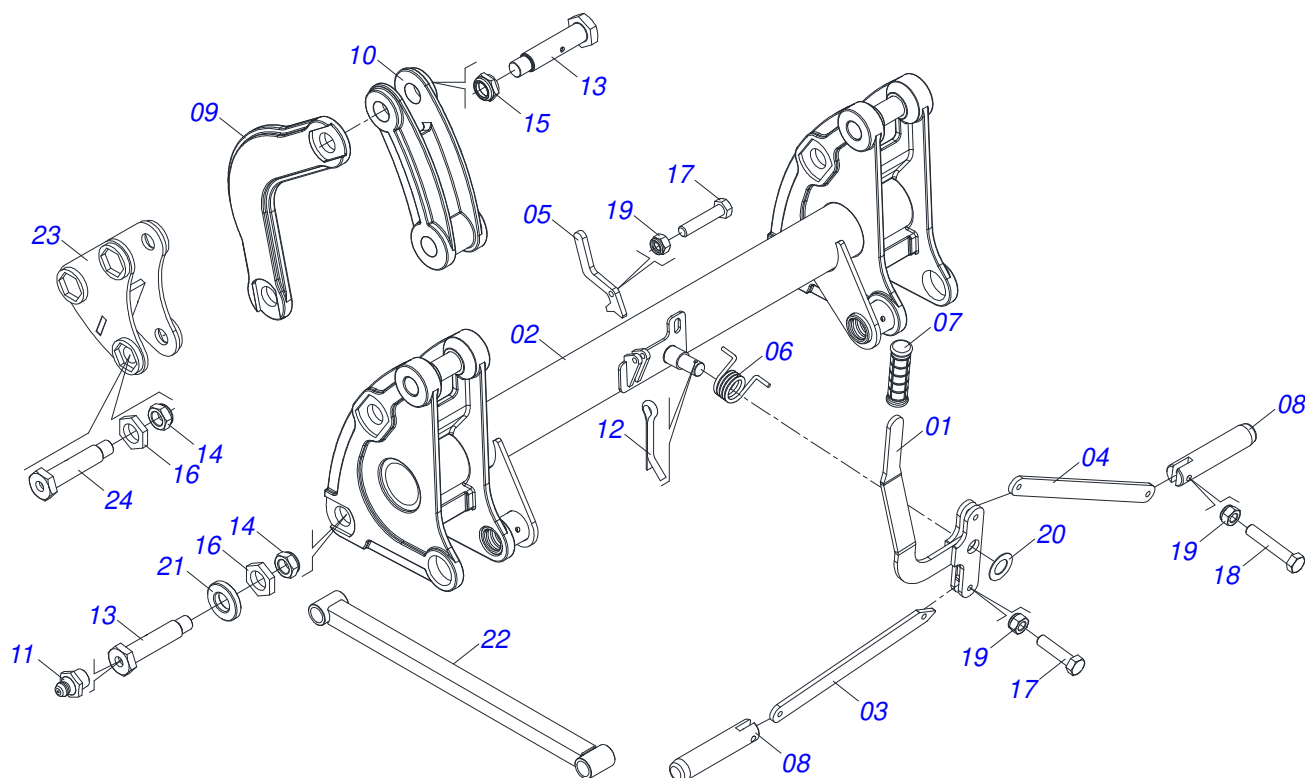
Item	Code	Description	See page	QT
01	0521065738	44,45 X 836 WELDED ROD PCA-T 1500 PLUS		01
02	0503010063	1" SELF-ALIGNING NUT		01
03	0503030385	CYLINDER PLUG N-002		02
04	0503010042	2-214 N 3006-9B O'RING		01
05	0521065704	RIGHT CYLINDER CASE WITH EXTENDER		01
06	0581010304	PISTON		01
07	0503018138	RING BS		02
08	0503018140	RING GUIDE		01
09	0503010761	D-1750 SCRAPER RING		01
10	0503010343	2-334 N 3006-9B O'RING		02
11	0503011059	8-334 BACK-UP RING		02
12	0503017937	GASKET		01
13	0581010301	RING SUPPORT		01
14	0503017938	RING GUIDE		01
15	0502011899	MOBILE COVER		01



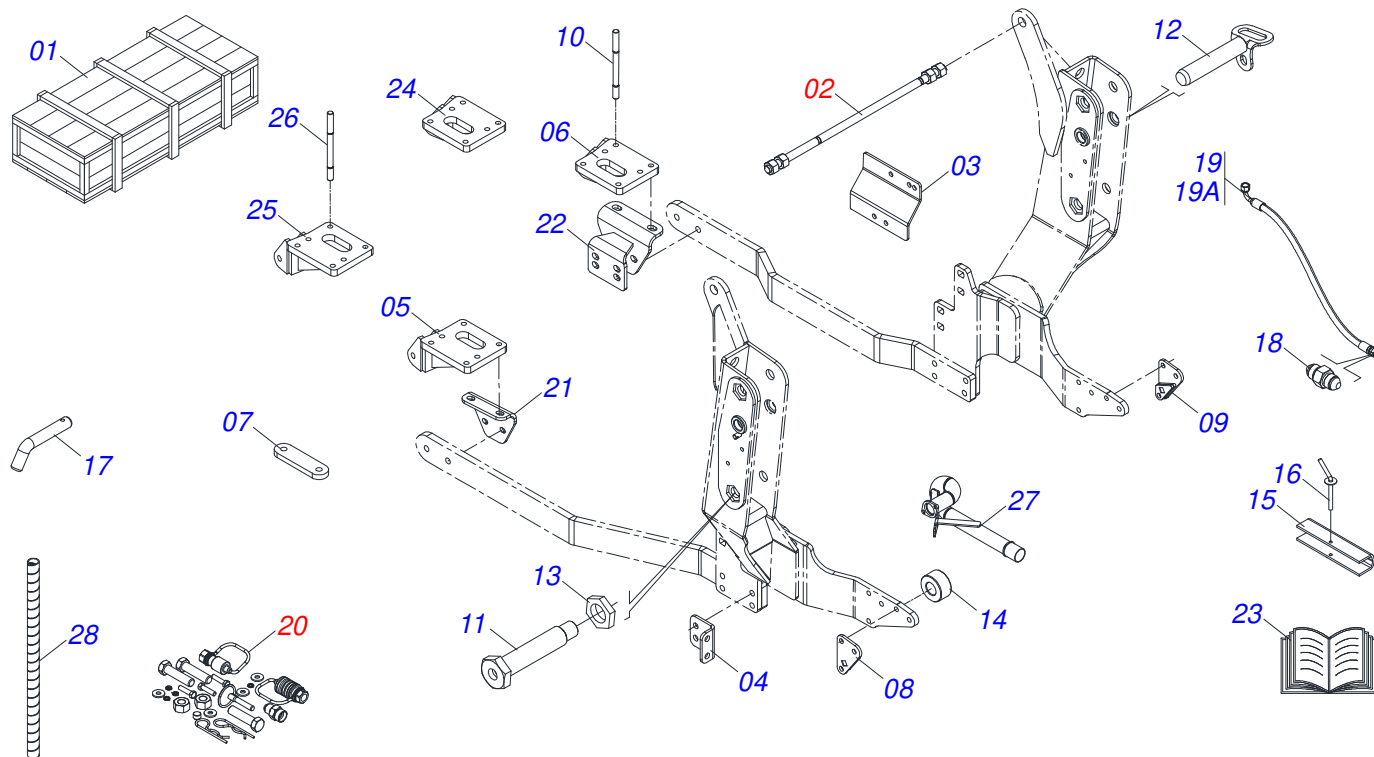
Item	Code	Description	See page	QT
01	0521065738	44,45 X 836 WELDED ROD PCA-T 1500 PLUS		01
02	0503010063	1" SELF-ALIGNING NUT		01
03	0503030385	CYLINDER PLUG N-002		02
04	0503010042	2-214 N 3006-9B O'RING		01
05	0521065737	LEFT CYLINDER CASE WITH EXTENDER		01
06	0581010304	PISTON		01
07	0503018138	RING BS		02
08	0503018140	RING GUIDE		01
09	0503010761	D-1750 SCRAPER RING		01
10	0503010343	2-334 N 3006-9B O'RING		02
11	0503011059	8-334 BACK-UP RING		02
12	0503017937	GASKET		01
13	0581010301	RING SUPPORT		01
14	0503017938	RING GUIDE		01
15	0502011899	MOBILE COVER		01



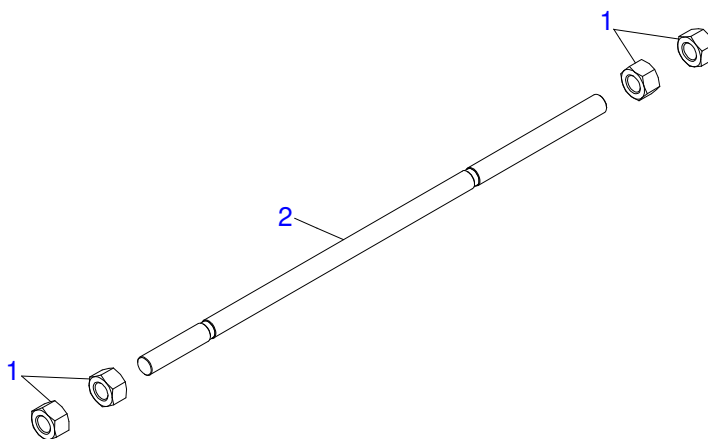
Item	Code	Description	See page	QT
01	0521065756	PLOUGH SUPPORT BODY		02
02	0502012530	REGULATOR NUT BODY R1		02
03	0502012562	LEFT SPINDLE R1 X 160		02
04	0502012529	RIGHT SPINDLE R1 X 160		02
05	0503010002	1800 GREASE FITTING		04
06	0571018253	3/4 X 133 PCA-T 1500 COUPLING SHAFT		04
07	0503010071	3/16" X 1" COTTERPIN		06
08	0503030012	HAIR PIN		02
09	0561015578	3/4 X 56 PCA VTR A750 COUPLING SHAFT		02
10	0571018252	REST BASE		02



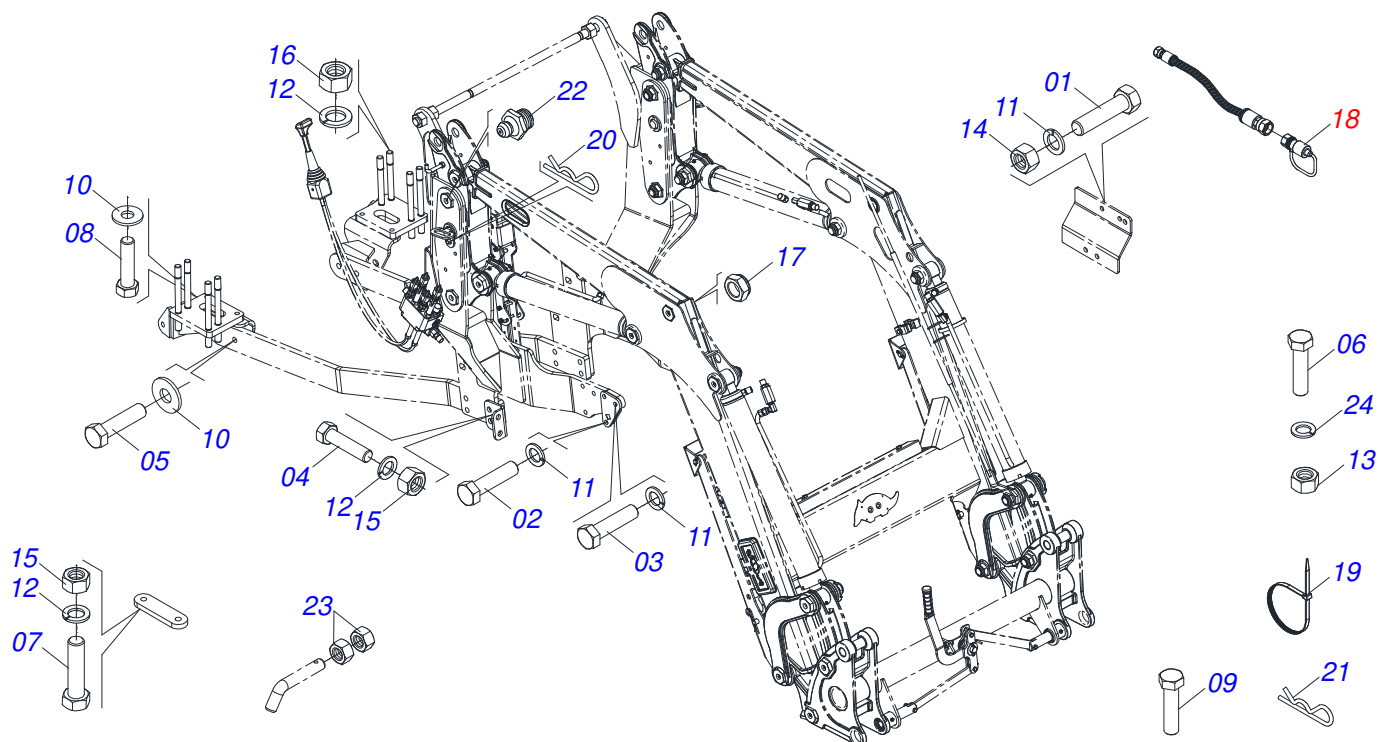
Item	Code	Description	See page	QT
01	0521065888	LEVER		01
02	0531060874	ARTICULATOR		01
03	0571018125	RIGHT ARM OF THE UNLOCK		01
04	0571018935	SPRING SUPPORT ARM		01
05	0571018934	PENDULUM LOCKS		01
06	0503034192	TORSION SPRING		01
07	0503037382	Ø25 X 120 PVC HANDLE		01
08	0571018129	PIN LOCK ACCESSORY		02
09	0502012952	LOWER COPYING ARM		04
10	0502012953	ARTICULATE MINOR BODY		02
11	0503010002	1800 GREASE FITTING		06
12	0503010523	1/4" X 2" COTTERPIN		01
13	0571018245	1.1/4" UNF X 139 BOLT		08
14	0503010044	1-1/4" SELF LOCKING NUT		07
15	0571018205	1.1/4"XUNF NUT WITH RECESS		01
16	0581010243	WASHER HEX		08
17	0503010849	3/8" X 1-1/2" BOLT		03
18	0503011236	3/8" X 2" BOLT		02
19	0503013357	3/8" SELF-ADJUSTING NUT		05
20	0561011883	FLAT WASHER		01
21	0581014204	FLAT WASHER		02
22	0521067538	COPIER ARM		02
23	0502012951	COPIER UPPER		02
24	0571018264	1.1/4" UNF X 149 ZN BOLT		06



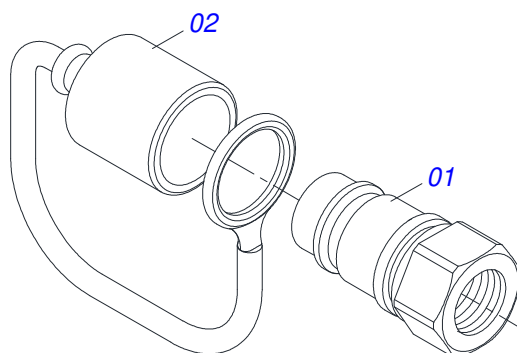
Item	Code	Description	See page	QT
01	0501100416	WOODEN BOX		01
02	0511043351	1.1/4" X 40" ROD	19	01
03	0591011706	TOOL BOX FIXING PLATE		01
04	0581015280	TOOL BOX SUPPORT		01
05	0521067233	DIFFERENTIAL RIGHT BEARING HANGER		01
06	0521067232	DIFFERENTIAL LEFT BEARING HANGER		01
07	0561013399	FRAME SUPPORT BEARING HANGER		02
08	0531060374	LOCK RIGHT FRAME		01
09	0531060375	LOCK LEFT FRAME		01
10	0561017654	M20 X 2.5 X 270 THREADED ROD ZN		08
11	0581013410	1.1/4" UNF X 155 BOLT		02
12	0521067468	MOBILE HOLDER COUPLING HUB		02
13	0581010243	WASHER HEX		02
14	0531016799	SLEEVE 34,93 X 16,50 X 20		02
15	0531017238	LOCK TRANSPORT		02
16	0501068994	0.3" X 3.1" LOCK PIN		02
17	0581010285	CONTROL LOCKING HOOK		01
18	0571018714	3/4"X3/4"UNF NIPPLE UNION (HEXAGONAL 7/8"X50)		04
19	0521050403	HOSE SET		01
19A	0501080384	TR-TM HOSE ASSY		04
20	0511034118	PACKED PARTS	20	01
21	0581012566	REAR BAR FIXATION BEARING HANGER		01
22	0521067229	BEARING HANGER LEFT		01
23	0511033668	BAG WITH INSTRUCTION MANUAL		01
24	0521069404	LEFT BEARING HANGER		01
25	0521069403	RIGHT BEARING HANGER		01
26	0503034789	PRISONER		08
27	0531062376	ESCAPEMENT COMPLEMENT		01
28	0581010090	SPRING PROTECTION PLASTIC HOSE		02



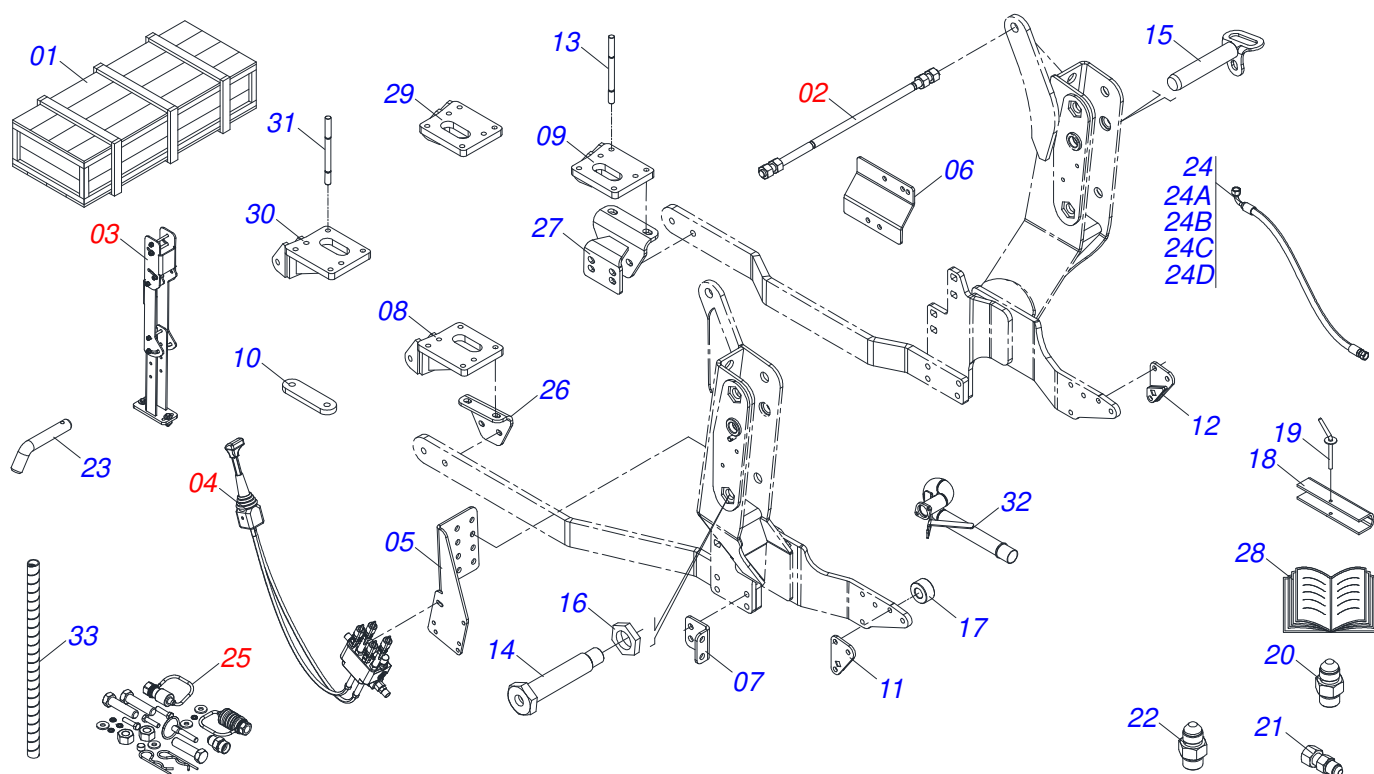
Item	Code	Description	See page	QT
01	0501010087	1.1/4" NUT		04
02	0541015018	ROD 1.1/4 NC X 1000		01



Item	Code	Description	See page	QT
01	0503011267	BOLT 5/8 UNC X 1.1/2 C S G.5 ZN		04
02	0503011730	M16 X 2 X 60 BOLT		04
03	0503012693	M16 X 2 X 75 BOLT		02
04	0501010098	3/4" UNC BOLT		02
05	0501010500	3/4"X3"BOLT		10
06	0503014006	3/4" X 2-1/2" BOLT		02
07	0503011857	3/4" X 10" BOLT		04
08	0503011322	M20 X 2,5 X 50 BOLT		04
09	0503013111	M20 X 2,5 X 65 BOLT		08
10	0501010322	FLAT WASHER		20
11	0503010027	5/8" SPRING WASHER		10
12	0503010023	3/4" SPRING WASHER		34
13	0503019335	METRIC NUT		08
14	0503010013	5/8" NUT		04
15	0503010014	3/4" NUT		18
16	0503015985	M20 X 2.5 ZN HEXAGONAL NUT		08
17	0503010044	1-1/4" SELF LOCKING NUT		02
18	0501053834	MALE QUICK COUPLER	21	04
19	0503013527	CLAMP ZIPER		10
20	0503030012	HAIR PIN		02
21	0503030168	CUPILLA		02
22	0503010002	1800 GREASE FITTING		02
23	0503010060	1/2" NUT		02
24	0503010012	1" SPRING WASHER		08



Item	Code	Description	See page	QT
01	0503011627	MALE QUICK COUPLER AGR 1/2 NPT		01
02	0503011882	MALE QUICK COUPLER CAP		01



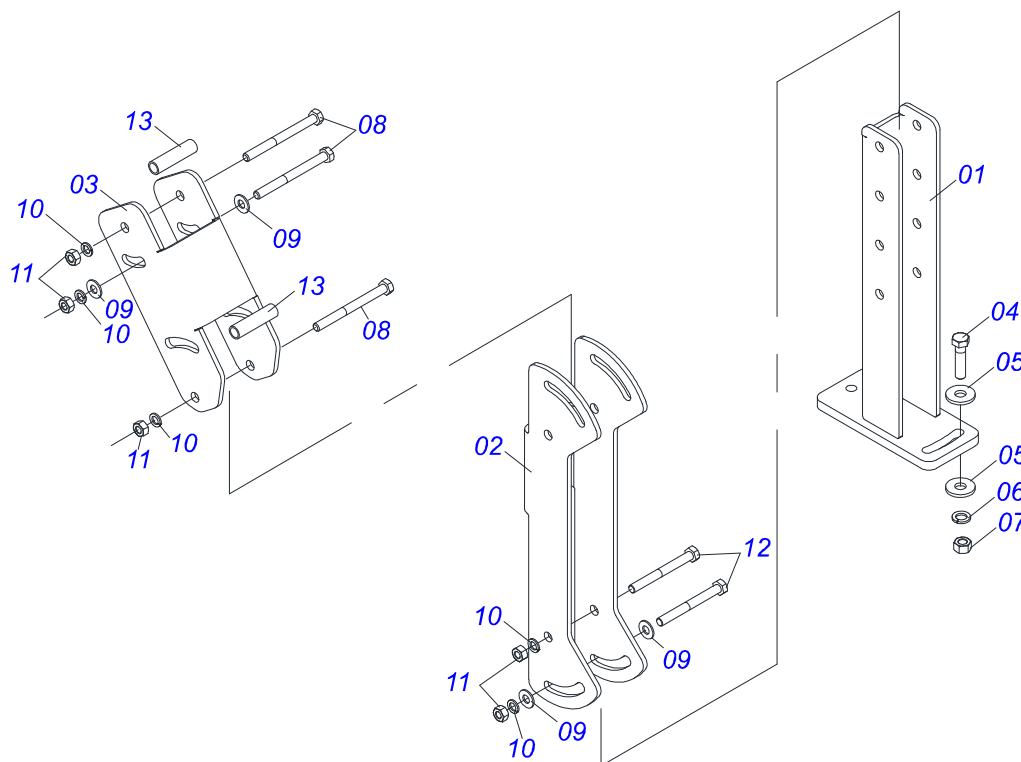
Item	Code	Description	See page	QT
01	0501100416	WOODEN BOX		01
02	0511043351	1.1/4" X 40" ROD	19	01
03	0521045393	SET SUPPORT JOY STICK	23	01
04	0521045489	BLOCK COMMAND	24	01
05	0581014119	FIXER BASE		01
06	0591011706	TOOL BOX FIXING PLATE		01
07	0581015280	TOOL BOX SUPPORT		01
08	0521067233	DIFFERENTIAL RIGHT BEARING HANGER		01
09	0521067232	DIFFERENTIAL LEFT BEARING HANGER		01
10	0561013399	FRAME SUPPORT BEARING HANGER		02
11	0531060374	LOCK RIGHT FRAME		01
12	0531060375	LOCK LEFT FRAME		01
13	0561017654	M20 X 2.5 X 270 THREADED ROD ZN		08
14	0581013410	1.1/4" UNF X 155 BOLT		02
15	0521067468	MOBILE HOLDER COUPLING HUB		02
16	0581010243	WASHER HEX		02
17	0531016799	SLEEVE 34,93 X 16,50 X 20		02
18	0531017238	LOCK TRANSPORT		02
19	0501068994	0.3" X 3.1" LOCK PIN		02
20	0571015342	3/4" NIPPLE		04
21	0521066467	NIPPLE FITTING 3/4 UNF X R. 1.3/16 UN		01
22	0581013664	NIPPLE FITTING 7/8 UNF JICX1.3/16 UN OFSX58		01
23	0581010285	CONTROL LOCKING HOOK		01
24	0511059133	HOSE KIT		01
24A	0501080623	HOSE 1/2 X 2000 TC-TC		03
24B	0501081346	HOSE 3/4 X 300 TC-TR		02
24C	0501080225	1/2" X 2150 TR-TR HOSE		02
24D	0501080273	1/2 X 2700 HOSE TC-TC		03
25	0511032682	PACKED PARTS	25	01
26	0581012566	REAR BAR FIXATION BEARING HANGER		01
27	0521067229	BEARING HANGER LEFT		01



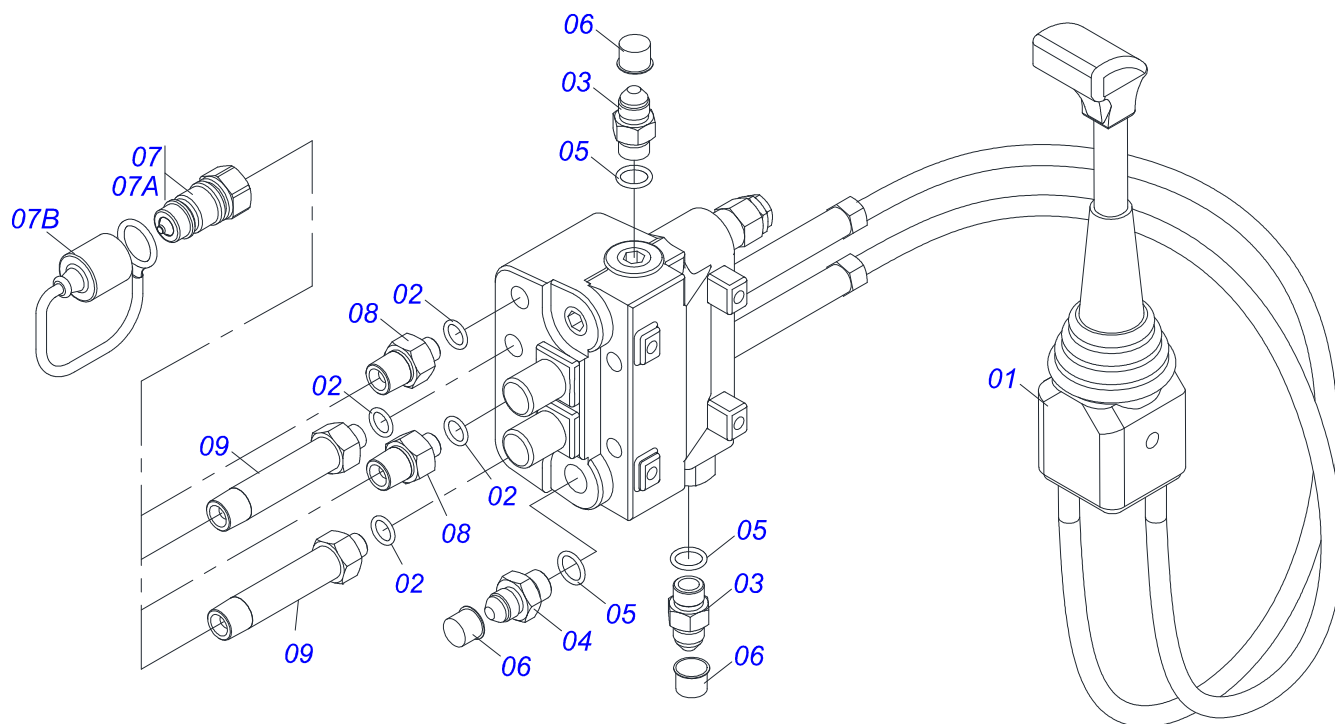
BOX WITH COMPONENTS

0521023238

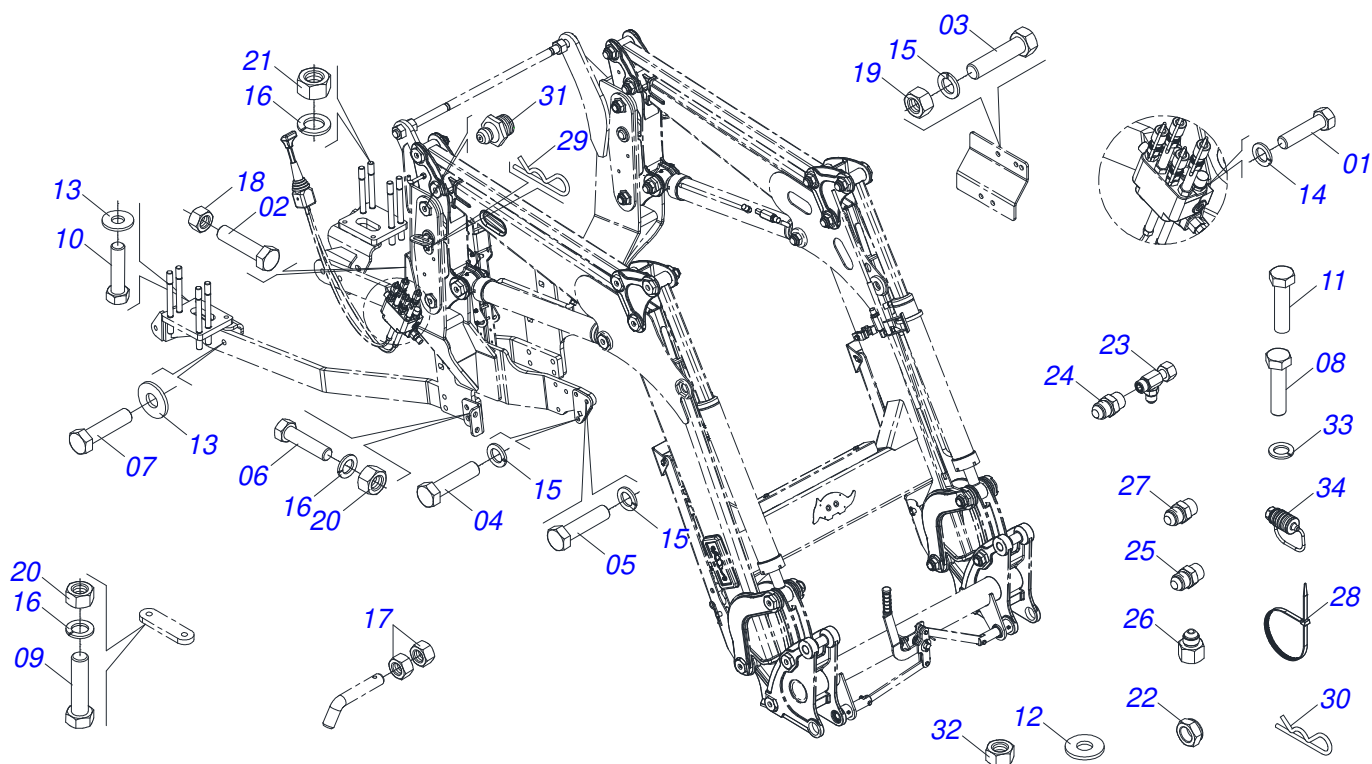
Item	Code	Description	See page	QT
28	0511033668	BAG WITH INSTRUCTION MANUAL		01
29	0521069404	LEFT BEARING HANGER		01
30	0521069403	RIGHT BEARING HANGER		01
31	0503034789	PRISONER		08
32	0531062376	ESCAPEMENT COMPLEMENT		01
33	0581010090	SPRING PROTECTION PLASTIC HOSE		02



Item	Code	Description	See page	QT
01	0521065789	LOWER JOYSTICK SUPPORT		01
02	0571018376	CENTRAL BODY SUPPLEMENT OF JOYSTICK		01
03	0571018375	SUPERIOR BODY SUPPLEMENT OF JOYSTICK		01
04	0503010849	3/8" X 1-1/2" BOLT		02
05	0501010984	FLAT WASHER		02
06	0503010025	3/8" SPRING WASHER		02
07	0503010026	3/8" NUT		02
08	0503010848	5/16" X 3.1/2" BOLT		04
09	0501010694	FLAT WASHER		06
10	0503010179	LOCK WASHER		06
11	0503010337	5/16" NUT		06
12	0503011053	5/16" X 3" C S 6.5 ZN BOLT		02
13	0541015551	0.39" X 0.512" X 1.9" SLEEVE		02



Item	Code	Description	See page	QT
01	0503062412	COMPLETE JOYSTICK CONTROL		01
02	0503011108	2-112 O'RING		04
03	0501010617	3/4" NIPPLE		02
04	0501011460	7/8 NF REDUCTION NIPPLE		01
05	0503010190	2-114 N 3006-9B O'RING		03
06	0503030385	CYLINDER PLUG N-002		03
07	0501053834	MALE QUICK COUPLER	21	04
07A	0503011627	MALE QUICK COUPLER AGR 1/2 NPT		01
07B	0503011882	MALE QUICK COUPLER CAP		01
08	0571018717	ADAPTER		02
09	0571018716	ADAPTER		02



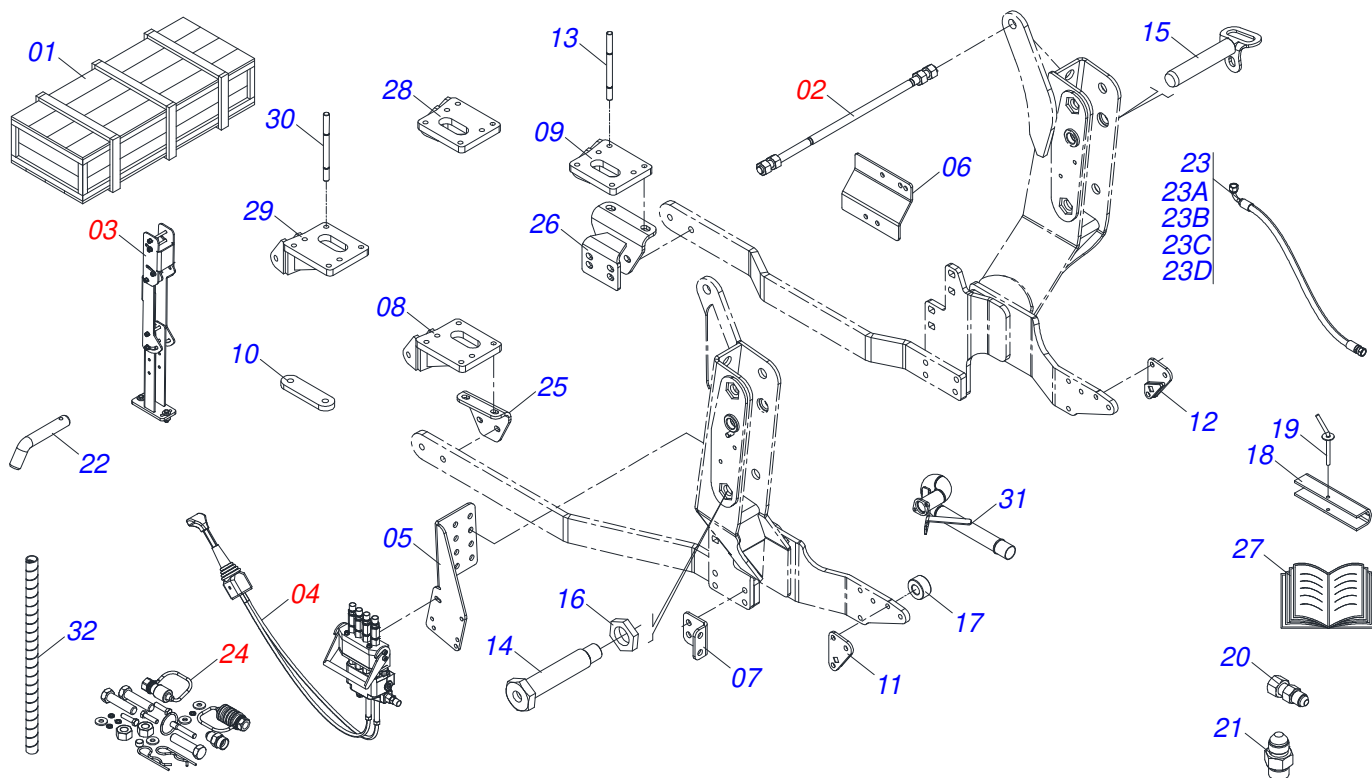
Item	Code	Description	See page	QT
01	0503016506	5/16 UNC X 3/4 C S G.5 ZN BOLT	04	
02	0501010063	1/2" X 1-1/2" BOLT	02	
03	0503011267	BOLT 5/8 UNC X 1.1/2 C S G.5 ZN	04	
04	0503011730	M16 X 2 X 60 BOLT	04	
05	0503012693	M16 X 2 X 75 BOLT	02	
06	0501010098	3/4" UNC BOLT	02	
07	0501010500	3/4"X3"BOLT	10	
08	0503014006	3/4" X 2-1/2" BOLT	02	
09	0503011857	3/4" X 10" BOLT	04	
10	0503011322	M20 X 2,5 X 50 BOLT	04	
11	0503013111	M20 X 2,5 X 65 BOLT	08	
12	0501010694	FLAT WASHER	01	
13	0501010322	FLAT WASHER	20	
14	0503010179	LOCK WASHER	04	
15	0503010027	5/8" SPRING WASHER	10	
16	0503010023	3/4" SPRING WASHER	34	
17	0503010060	1/2" NUT	02	
18	0503011336	1/2" HEX SELF ADJUSTING NUT	02	
19	0503010013	5/8" NUT	04	
20	0503010014	3/4" NUT	18	
21	0503015985	M20 X 2.5 ZN HEXAGONAL NUT	08	
22	0503010044	1-1/4" SELF LOCKING NUT	02	
23	0521068067	ADAPTER WITH ROTATING NUT	01	
24	0501011460	7/8 NF REDUCTION NIPPLE	02	
25	0561018342	1" NF NIPPLE	01	
26	0571019584	7/8 UNF NIPLE	01	
27	0521014704	HOSE NIPPLE 3/4 UNF	01	
28	0503013527	CLAMP ZIPER	10	
29	0503030012	HAIR PIN	02	
30	0503030168	CUPILLA	02	
31	0503010002	1800 GREASE FITTING	02	



PACKED PARTS

0511032682

Item	Code	Description	See page	QT
32	0503019335	METRIC NUT		08
33	0503010012	1" SPRING WASHER		08
34	0501053835	FEMALE QUICK COUPLER	29	04



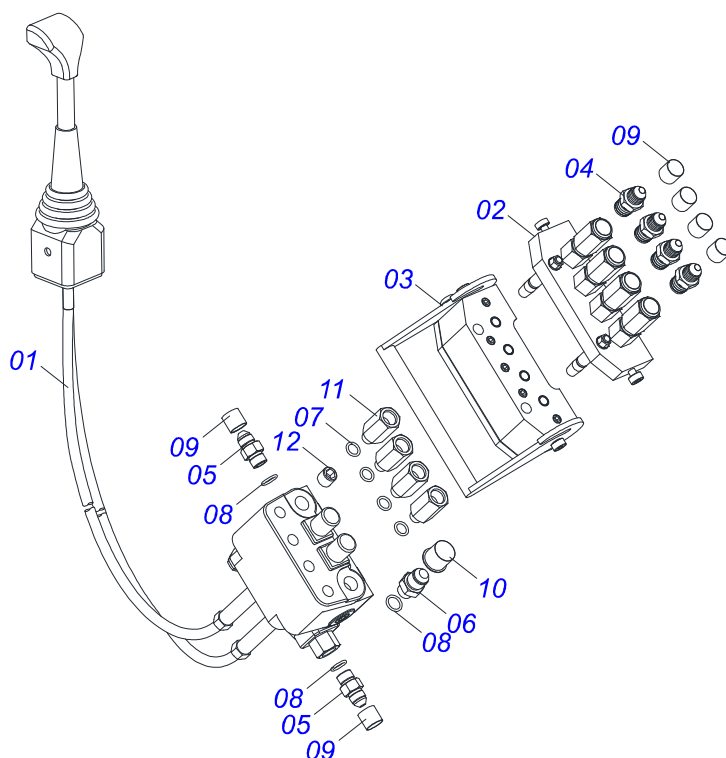
Item	Code	Description	See page	QT
01	0501100416	WOODEN BOX		01
02	0511043351	1.1/4" X 40" ROD	19	01
03	0521045393	SET SUPPORT JOY STICK	23	01
04	0521045676	COMPLETE SET COMMAND	27	01
05	0581014119	FIXER BASE		01
06	0591011706	TOOL BOX FIXING PLATE		01
07	0581015280	TOOL BOX SUPPORT		01
08	0521067233	DIFFERENTIAL RIGHT BEARING HANGER		01
09	0521067232	DIFFERENTIAL LEFT BEARING HANGER		01
10	0561013399	FRAME SUPPORT BEARING HANGER		02
11	0531060374	LOCK RIGHT FRAME		01
12	0531060375	LOCK LEFT FRAME		01
13	0561017654	M20 X 2.5 X 270 THREADED ROD ZN		08
14	0581013410	1.1/4" UNF X 155 BOLT		02
15	0521067468	MOBILE HOLDER COUPLING HUB		02
16	0581010243	WASHER HEX		02
17	0531016799	SLEEVE 34,93 X 16,50 X 20		02
18	0531017238	LOCK TRANSPORT		02
19	0501068994	0.3" X 3.1" LOCK PIN		02
20	0521066467	NIPPLE FITTING 3/4 UNF X R. 1.3/16 UN		01
21	0581013664	NIPPLE FITTING 7/8 UNF JICX1.3/16 UN OFSX58		01
22	0581010285	CONTROL LOCKING HOOK		01
23	0511059133	HOSE KIT		01
23A	0501080623	HOSE 1/2 X 2000 TC-TC		03
23B	0501081346	HOSE 3/4 X 300 TC-TR		02
23C	0501080225	1/2" X 2150 TR-TR HOSE		02
23D	0501080273	1/2 X 2700 HOSE TC-TC		03
24	0511032683	PACKED PARTS	28	01
25	0581012566	REAR BAR FIXATION BEARING HANGER		01
26	0521067229	BEARING HANGER LEFT		01
27	0511033668	BAG WITH INSTRUCTION MANUAL		01



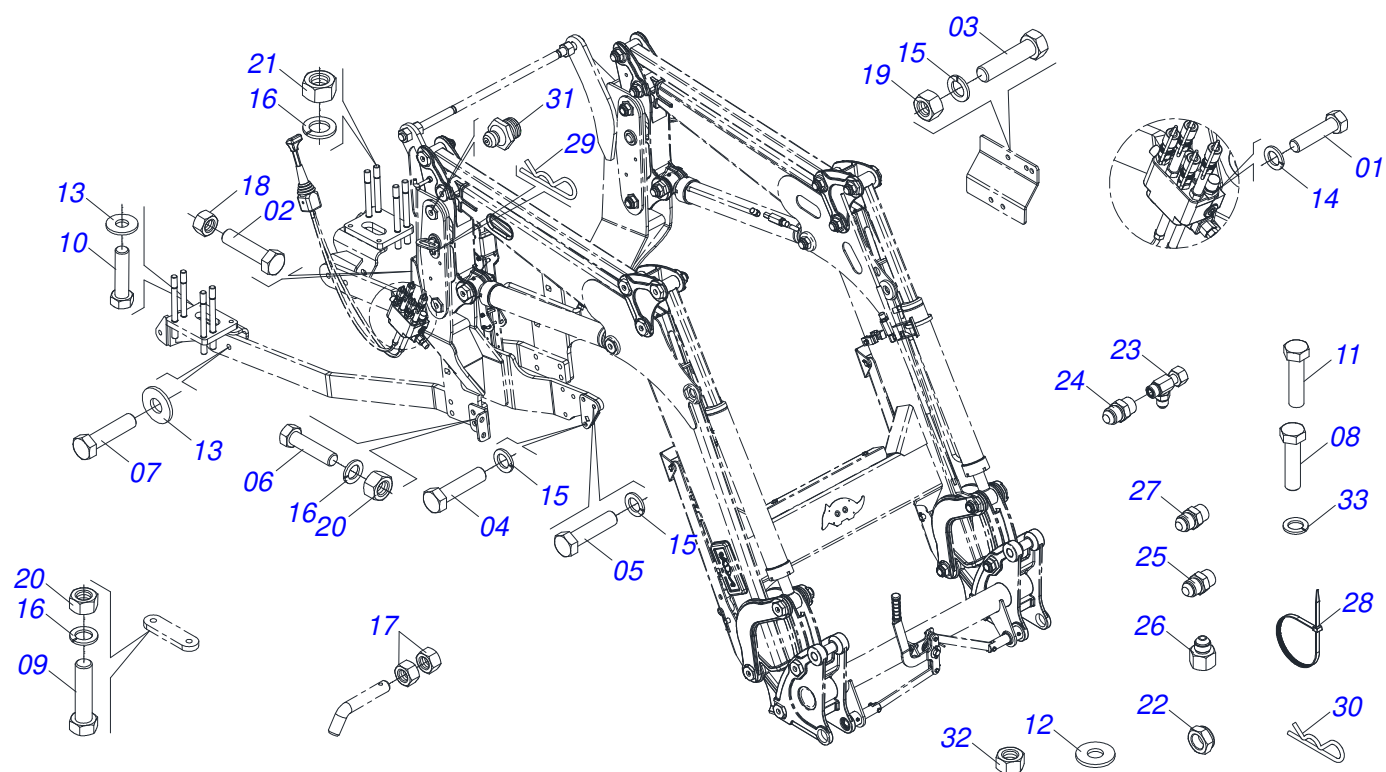
BOX WITH COMPONENTS

0521023239

Item	Code	Description	See page	QT
28	0521069404	LEFT BEARING HANGER		01
29	0521069403	RIGHT BEARING HANGER		01
30	0503034789	PRISONER		08
31	0531062376	ESCAPEMENT COMPLEMENT		01
32	0581010090	SPRING PROTECTION PLASTIC HOSE		02



Item	Code	Description	See page	QT
01	0503062412	COMPLETE JOYSTICK CONTROL		01
02	0503062408	QUICK COUPLING STEEL CARBON MULTIFASTER 3PW06-4-12G M C		01
03	0503062409	QUICK COUPLING STEEL CARBON MULTIFASTER 2PW06-4-1/12SFC		01
04	0571015342	3/4" NIPPLE		04
05	0501010617	3/4" NIPPLE		02
06	0501011460	7/8 NF REDUCTION NIPPLE		01
07	0503011108	2-112 O'RING		04
08	0503010190	2-114 N 3006-9B O'RING		03
09	0503030385	CYLINDER PLUG N-002		06
10	0503030387	PLUG		01
11	0571019055	ADAPT 9/16 UNF X 3/4 UNF		04
12	0531017427	3/4" X 06" PUMP		01



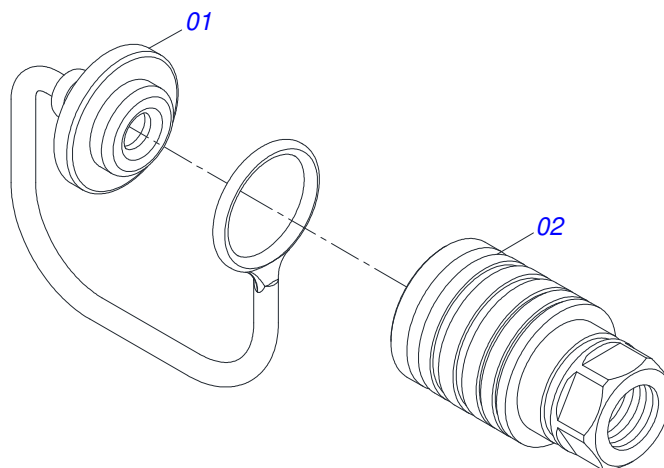
Item	Code	Description	See page	QT
01	0503016506	5/16 UNC X 3/4 C S G.5 ZN BOLT	04	
02	0501010063	1/2" X 1-1/2" BOLT	02	
03	0503011267	BOLT 5/8 UNC X 1.1/2 C S G.5 ZN	04	
04	0503011730	M16 X 2 X 60 BOLT	04	
05	0503012693	M16 X 2 X 75 BOLT	02	
06	0501010098	3/4" UNC BOLT	02	
07	0501010500	3/4"X3"BOLT	10	
08	0503014006	3/4" X 2-1/2" BOLT	02	
09	0503011857	3/4" X 10" BOLT	04	
10	0503011322	M20 X 2,5 X 50 BOLT	04	
11	0503013111	M20 X 2,5 X 65 BOLT	08	
12	0501010694	FLAT WASHER	01	
13	0501010322	FLAT WASHER	20	
14	0503010179	LOCK WASHER	04	
15	0503010027	5/8" SPRING WASHER	10	
16	0503010023	3/4" SPRING WASHER	34	
17	0503010060	1/2" NUT	02	
18	0503011336	1/2" HEX SELF ADJUSTING NUT	02	
19	0503010013	5/8" NUT	04	
20	0503010014	3/4" NUT	18	
21	0503015985	M20 X 2.5 ZN HEXAGONAL NUT	08	
22	0503010044	1-1/4" SELF LOCKING NUT	02	
23	0521068067	ADAPTER WITH ROTATING NUT	01	
24	0501011460	7/8 NF REDUCTION NIPPLE	02	
25	0561018342	1" NF NIPPLE	01	
26	0571019584	7/8 UNF NIPLE	01	
27	0521014704	HOSE NIPPLE 3/4 UNF	01	
28	0503013527	CLAMP ZIPER	10	
29	0503030012	HAIR PIN	02	
30	0503030168	CUPILLA	02	
31	0503010002	1800 GREASE FITTING	02	



PACKED PARTS

0511032683

Item	Code	Description	See page	QT
32	0503019335	METRIC NUT		08
33	0503010012	1" SPRING WASHER		08



Item	Code	Description	See page	QT
01	0503011883	QUICK CONNECTION COVER		01
02	0503011628	FEMALE QUICK COUPLER		01



MARCHESAN

Technical Publications | Elaboration and Revision

LORENA ROCHA ALVES

www.marchesan.com.br

