

**AUXILIARY PRODUCTS**

# **ACCESSORIES FOR PLAINERS - PAC/LDA/GRF/SAB/SAE/EAG/GSA/GCA**

**Code:** 0501093245

**Series:** S-0422

**Revision:** 00

**Date Revision:** ABRIL/2022

# **PARTS CATALOGUE**

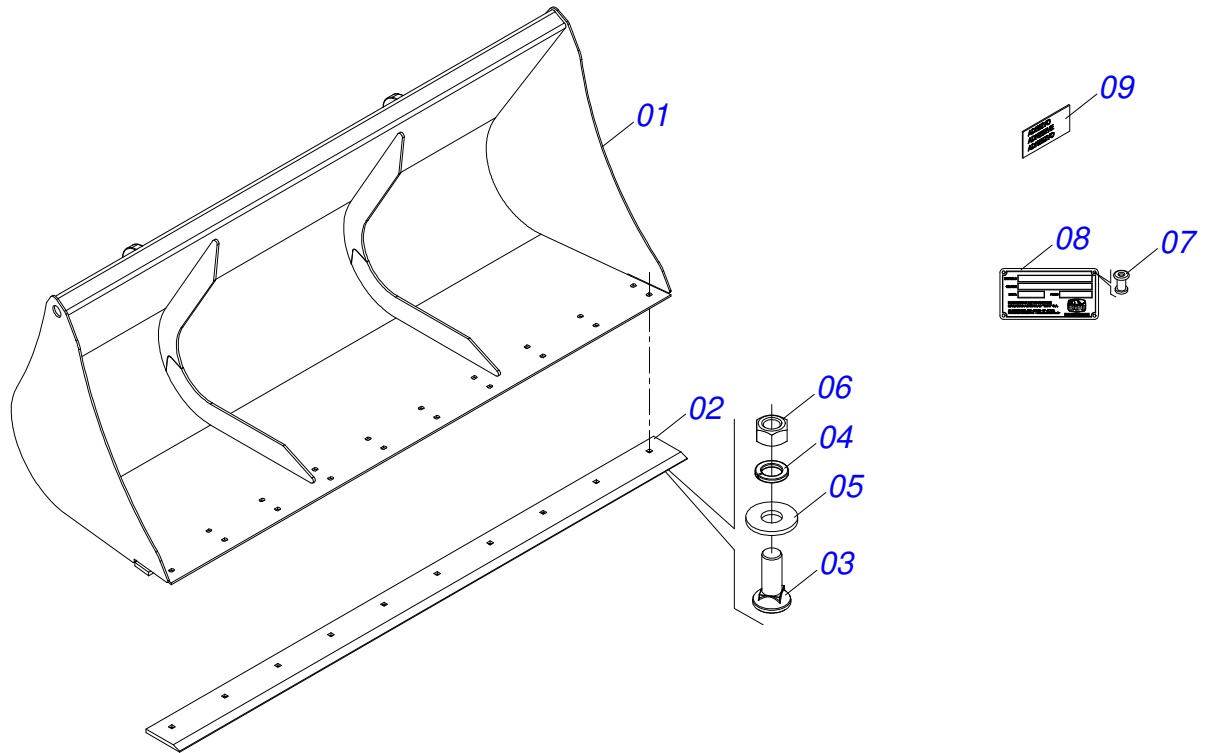


**MARCHESAN**

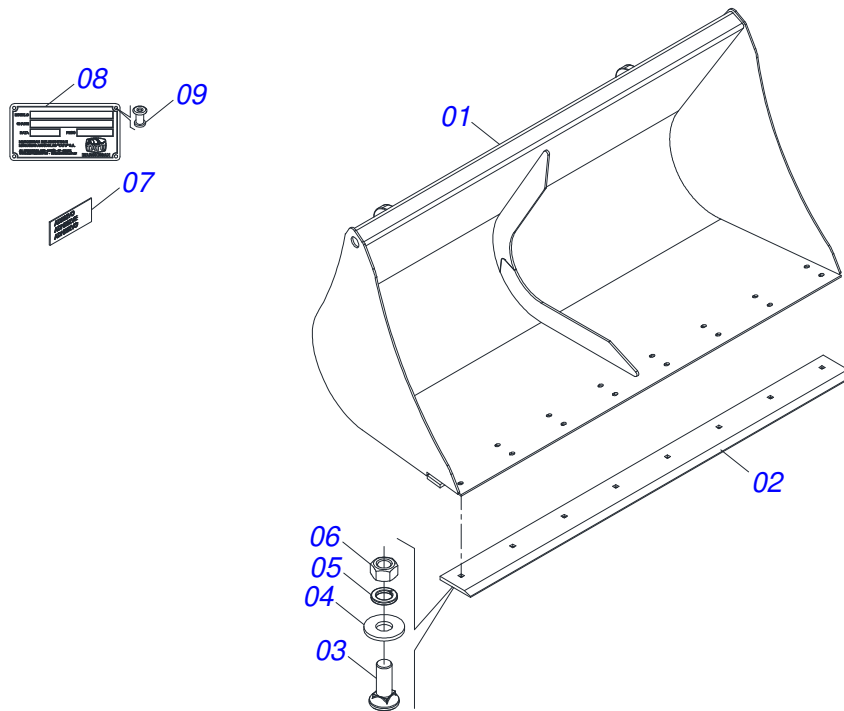


# INDEX

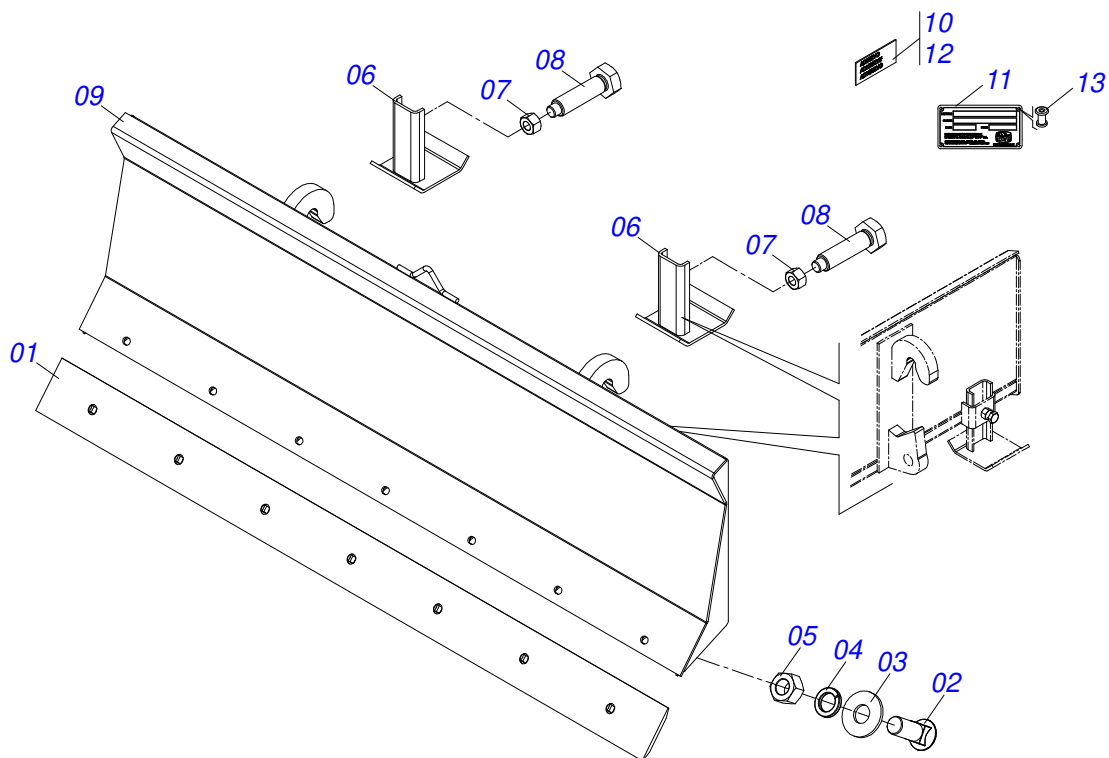
0521045369	ASSY 2100 PAC	.....	1
0521046770	PAC 1700 ASSY	.....	2
0521045370	ASSY 2200 LDA	.....	3
0521048057	LDA 2400 ASSY	.....	4
0521048058	LDA 2400	.....	5
0521048059	LDA 2600 ASSY	.....	6
0521048060	LDA 2600 WITHOUT SUPPORT	.....	7
0521047693	COMPLETE HAY ROLLER FORK	.....	8
0511058444	HYDRAULIC CYLINDER	.....	9
0501053835	FEMALE QUICK COUPLER	.....	10
0501053834	MALE QUICK COUPLER	.....	11
0521045475	FULL SAB	.....	12
0521050632	FIXING SUPPORT	.....	13
0511058531	CROSSPIECE	.....	14
0521045476	FULL SAE/2	.....	15
0521045540	EAG	.....	16
0521045472	FULL GSA	.....	17
0531051125	FIXED FRAME	.....	18
0501051503	MOBILE FRAME WITH TEETH	.....	19
0511057116	HOSE KIT	.....	20
0521021932	BOX WITH COMPONENTS	.....	21
0511031912	PACKED PARTS	.....	22
0511057831	CABLE M/PLUS PARKER	.....	23
0511057830	CABLE ELECTRIC (TRACTOR)	.....	24
0521048224	GSA 2290 ASSY	.....	25
0531051122	FIXED FRAME	.....	26
0501055862	MOBILE FRAME WITH TEETH	.....	27
0521049059	GSA 2290 ASSY	.....	28
0521047281	AGRICULTURAL CHARGER FORK	.....	29
0531040675	AGRICULTURAL CHARGER FORK	.....	30



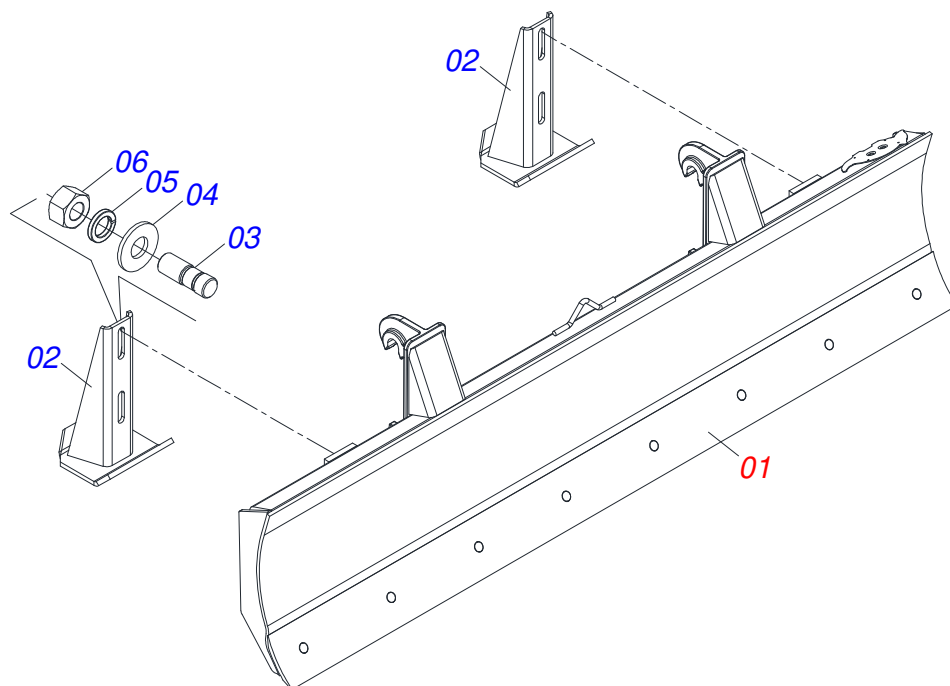
Item	Code	Description	See page	QT
01	0531060876	BUCKET 2100		01
02	0571018131	2105 BUCKET SCRAPER		01
03	0503012956	1/2" X 1-1/2" BOLT		10
04	0503011440	SPRING WASHER		10
05	0511017302	FLAT WASHER		10
06	0503812682	NUT (BSW)		10
07	0503010001	3.2 X 5.5 RIVET		04
08	0503034003	SERIAL NUMBER TAG 61 X 118		01
09	0503033428	ADHESIVE LABEL		01



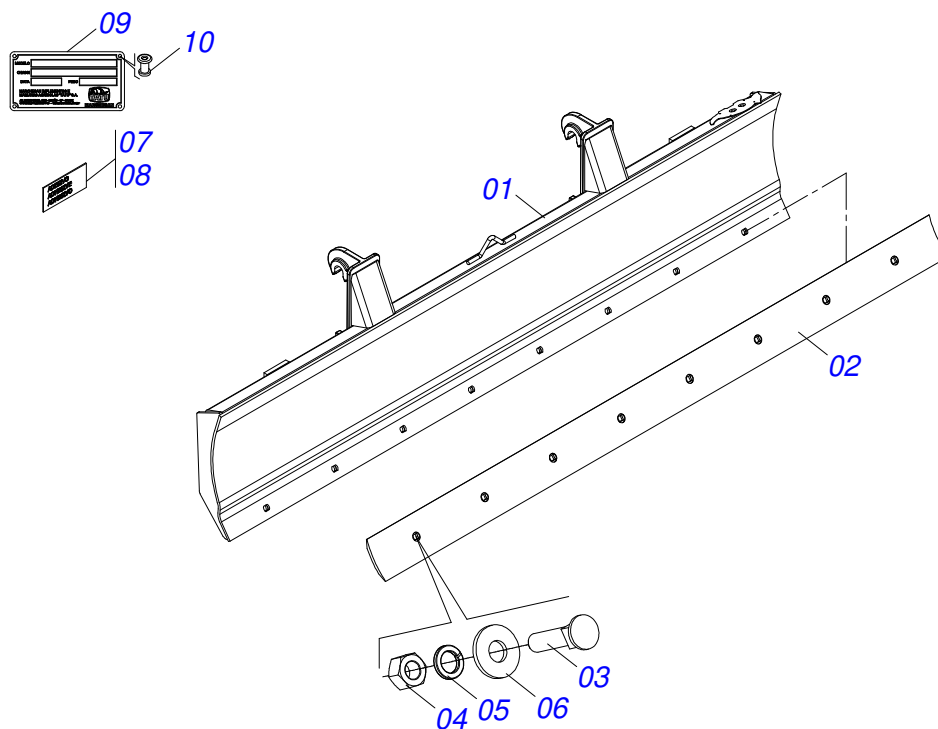
Item	Code	Description	See page	QT
01	0531060735	BUCKET		01
02	0622360007	1700 SCRAPER BUCKET		01
03	0503012956	1/2" X 1-1/2" BOLT		08
04	0511017302	FLAT WASHER		08
05	0503011440	SPRING WASHER		08
06	0503012682	1/2" BSW NUT		08
07	0503033428	ADHESIVE LABEL		01
08	0503034003	SERIAL NUMBER TAG 61 X 118		01
09	0503010001	3.2 X 5.5 RIVET		04



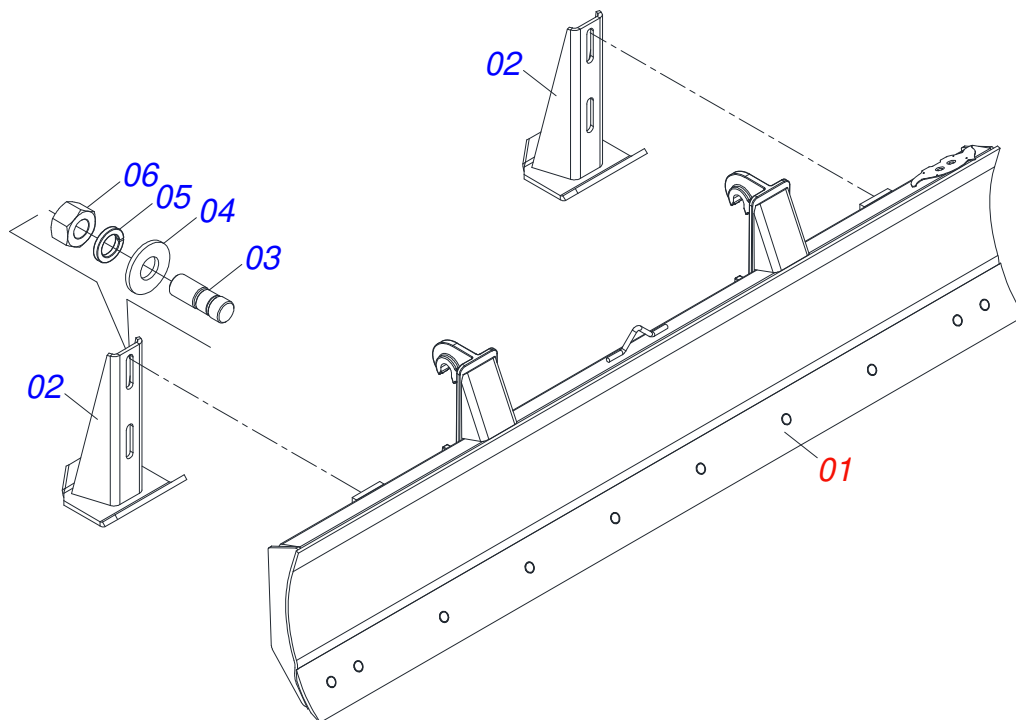
Item	Code	Description	See page	QT
01	0531019518	SCRAPER 2220 X 6 X 1/2		01
02	0501012239	5/8" X 1.3/4" BOLT		07
03	0571010265	16.5 X 40 X 3 FLAT WASHER		07
04	0503010027	5/8" SPRING WASHER		07
05	0503010013	5/8" NUT		07
06	0511064780	SHOE SLIDE LIGHT STABILIZING		02
07	0503010014	3/4" NUT		02
08	0501018246	3/4" X 3" BOLT		02
09	0531060877	FRONT BLADE 2200		01
10	0503033429	ADHESIVE LABEL		01
11	0503034003	SERIAL NUMBER TAG 61 X 118		01
12	0503031087	ADHESIVE LABEL		01
13	0503010001	3.2 X 5.5 RIVET		04



Item	Code	Description	See page	QT
01	0521048058	LDA 2400	5	01
02	0501063411	ESTABILIZER BRACKET		02
03	0561016756	3/4 UNC X 3/4 UNC X 56 PRISONER		04
04	0501010322	FLAT WASHER		04
05	0503010023	3/4" SPRING WASHER		04
06	0503010014	3/4" NUT		04

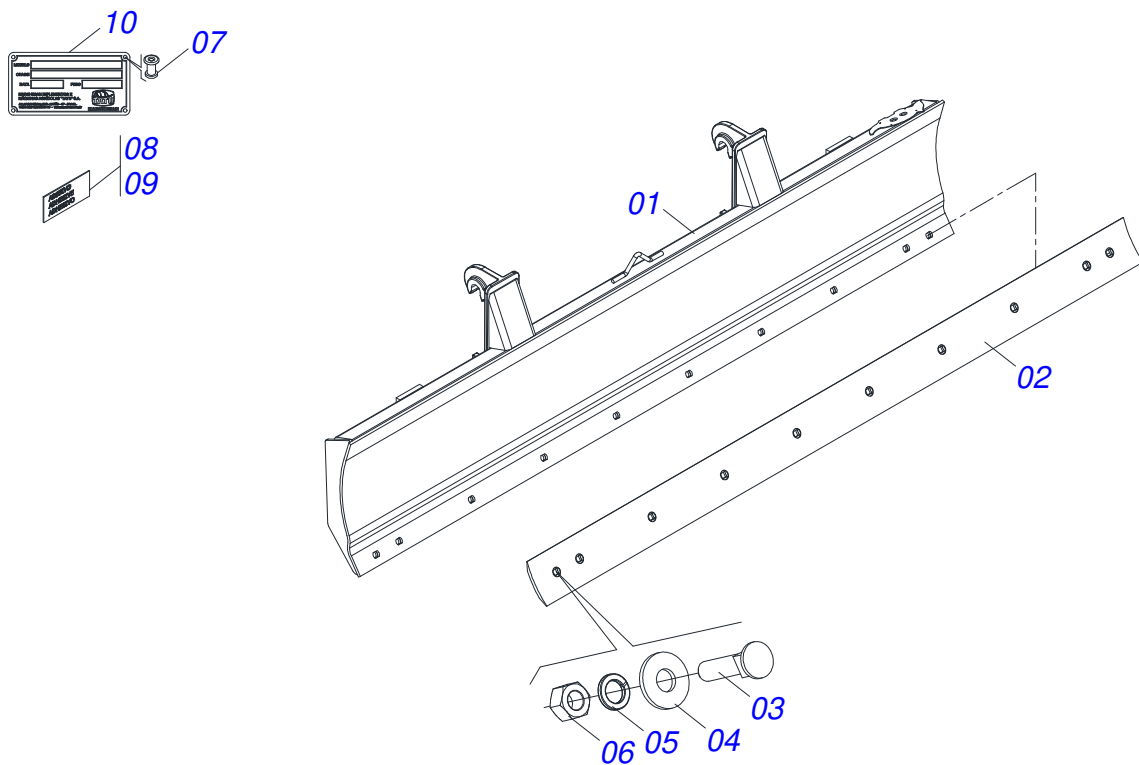


Item	Code	Description	See page	QT
01	0521068687	AGRICULTURAL FRONT BLADE		01
02	0622360016	94.5" SCRAPER REVERSIBLE		01
03	0501012240	BOLT		08
04	0503010013	5/8" NUT		08
05	0503011445	SPRING WASHER		08
06	0501012140	FLAT WASHER		08
07	0503031087	ADHESIVE LABEL		01
08	0503033429	ADHESIVE LABEL		01
09	0503034003	SERIAL NUMBER TAG 61 X 118		01
10	0503010001	3.2 X 5.5 RIVET		04

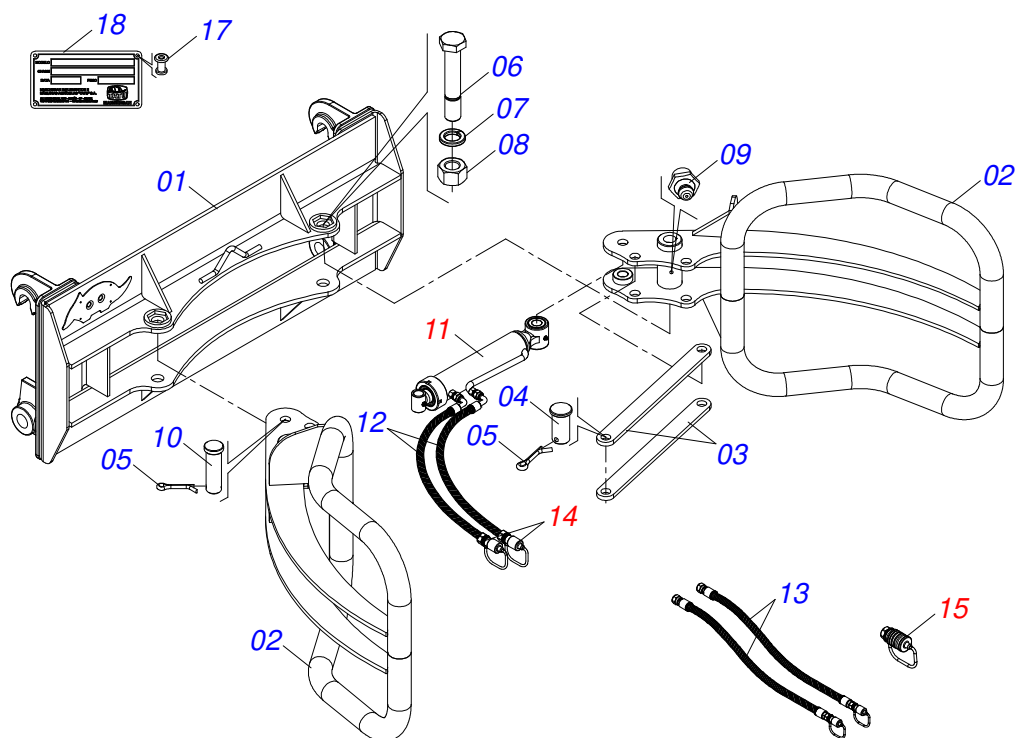


Item	Code	Description	See page	QT
01	0521048060	LDA 2600 WITHOUT SUPPORT	7	01
02	0501063411	ESTABILIZER BRACKET		02
03	0561016756	3/4 UNC X 3/4 UNC X 56 PRISONER		04
04	0501010322	FLAT WASHER		04
05	0503010023	3/4" SPRING WASHER		04
06	0503010014	3/4" NUT		04

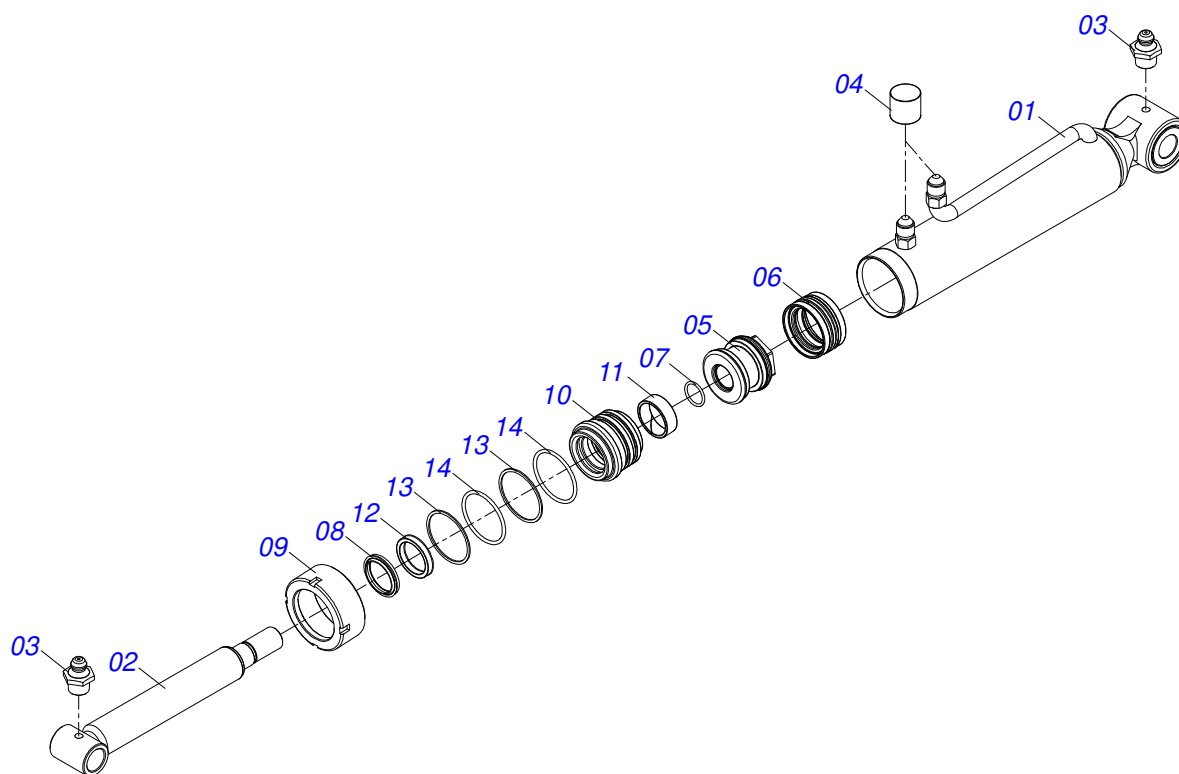




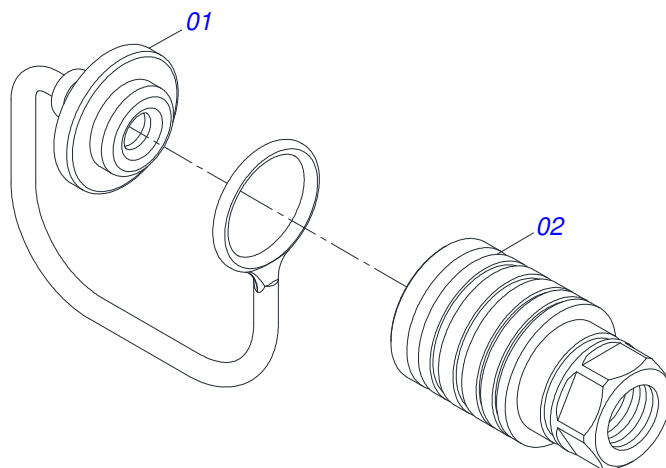
Item	Code	Description	See page	QT
01	0531060887	FRONT BLADE		01
02	0622360011	2600 SCRAPER REVERSIBLE		01
03	0501012240	BOLT		10
04	0501012140	FLAT WASHER		10
05	0503011445	SPRING WASHER		10
06	0503010013	5/8" NUT		10
07	0503010001	3.2 X 5.5 RIVET		04
08	0503031087	ADHESIVE LABEL		01
09	0503033429	ADHESIVE LABEL		01
10	0503034003	SERIAL NUMBER TAG 61 X 118		01



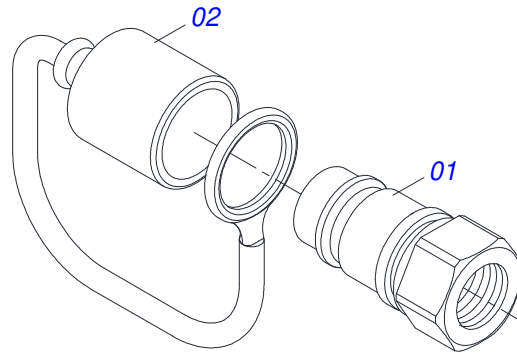
Item	Code	Description	See page	QT
01	0531060895	FRAME FIXING		01
02	0521067931	CLAW		02
03	0581014651	COPY BAR		02
04	0581016526	COUPLING SHAFT		02
05	0503010571	1/4" X 1.1/2 COTTERPIN		04
06	0501014174	1-1/4" X 9.5" BOLT		02
07	0503010070	SPRING WASHER		02
08	0501010087	1.1/4" NUT		02
09	0503010002	1800 GREASE FITTING		02
10	0581016527	JUNCTION AXIS 25 X 142		02
11	0511058444	HYDRAULIC CYLINDER	9	01
12	0501080883	TC-TM 3/8" X 59.06" HOSE ASSY		02
13	0501080784	3/8 X 5500 HOSE TM-TM		02
14	0501053834	MALE QUICK COUPLER	11	04
15	0501053835	FEMALE QUICK COUPLER	10	02
16	0503034003	SERIAL NUMBER TAG 61 X 118		01
17	0503010001	3.2 X 5.5 RIVET		04



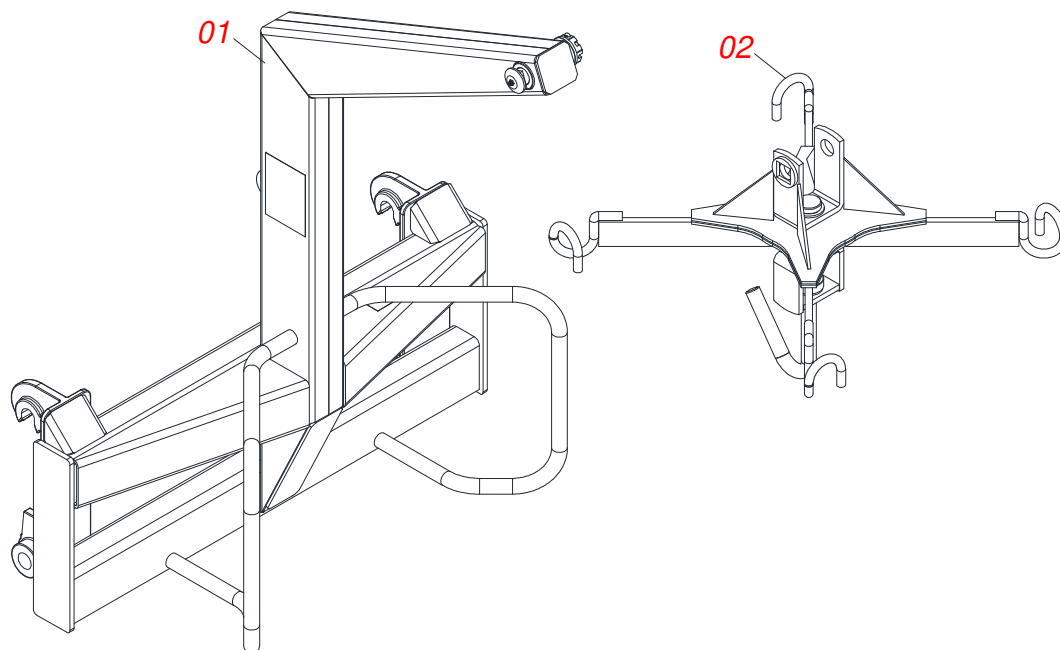
Item	Code	Description	See page	QT
01	0511066155	2.5" X 12.9" CYLINDER CASE		01
02	0521066631	TURNBUCKLE		01
03	0503010002	1800 GREASE FITTING		02
04	0503030385	CYLINDER PLUG N-002		02
05	0502012837	PISTON		01
06	0503018005	RING		01
07	0503011109	2-119 N 3006-9B O'RING		01
08	0503010163	D-1500 SCRAPER RING		01
09	0502010471	MOBILE COVER		01
10	0581010668	RING SUPPORT		01
11	0503018004	RING		01
12	0503018003	GASKET		01
13	0503018163	BACK-UP RING		02
14	0503018162	O'RING		02



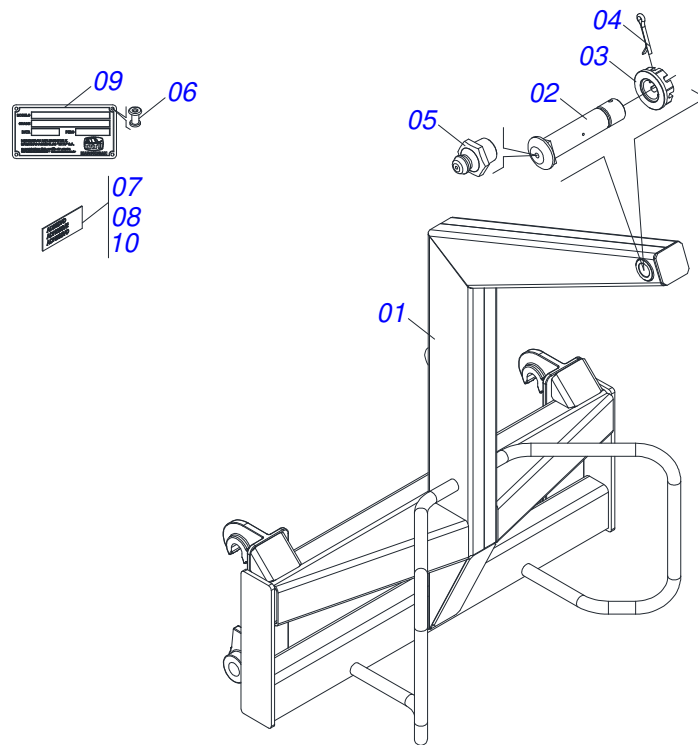
Item	Code	Description	See page	QT
01	0503011883	QUICK CONNECTION COVER		01
02	0503011628	FEMALE QUICK COUPLER		01



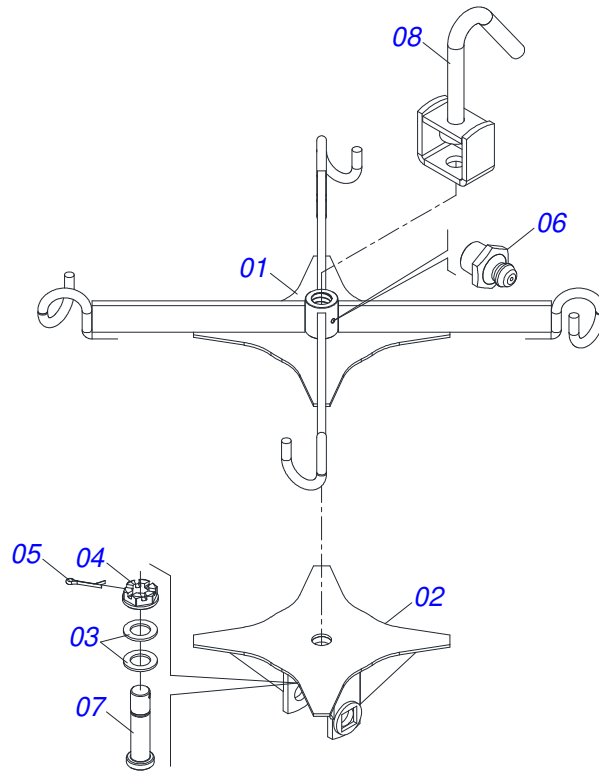
Item	Code	Description	See page	QT
01	0503011627	MALE QUICK COUPLER AGR 1/2 NPT		01
02	0503011882	MALE QUICK COUPLER CAP		01



Item	Code	Description	See page	QT
01	0521050632	FIXING SUPPORT	13	01
02	0511058531	CROSSPIECE	14	01

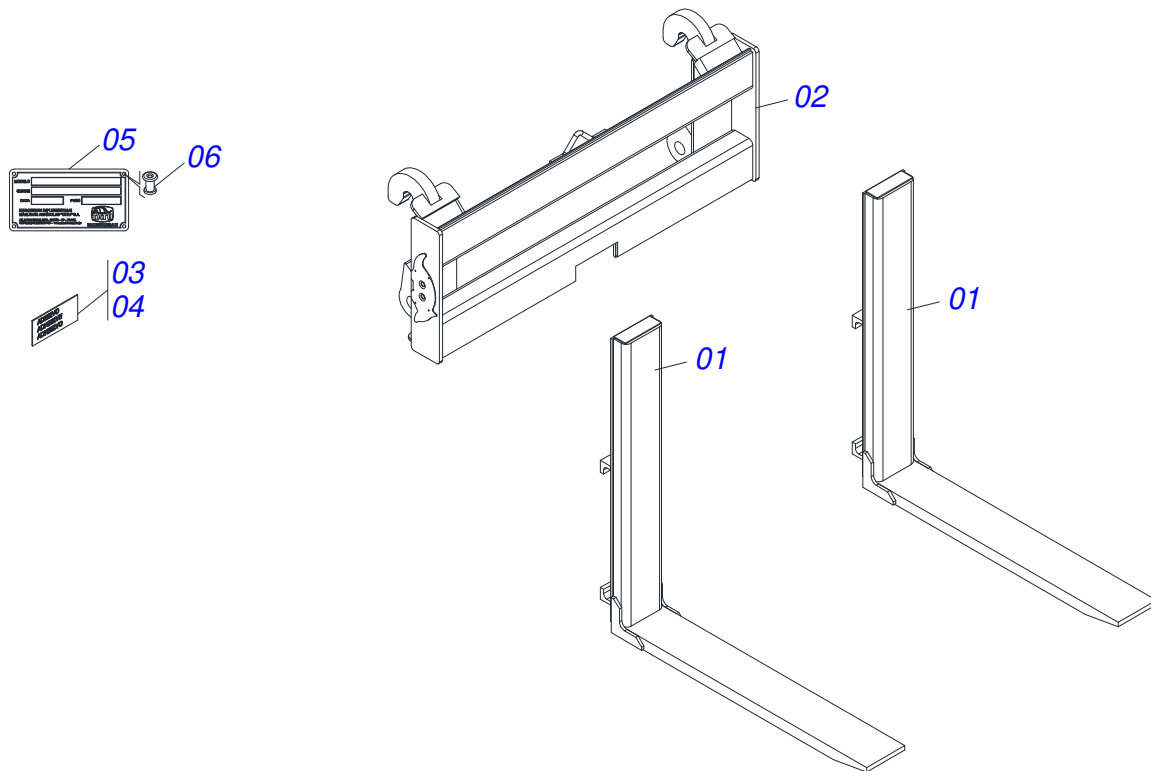


Item	Code	Description	See page	QT
01	0531060890	CROSS FIXING SUPPORT		01
02	0521012828	1.5" X 6.8" PIVOT SHAFT		01
03	0501011301	1.1/2 UNC 6FPP 2.5/16 NUT		01
04	0503010010	1/4" X 2.1/2" COTTERPIN		01
05	0503010002	1800 GREASE FITTING		01
06	0503010001	3.2 X 5.5 RIVET		04
07	0503032536	ADHESIVE LABEL		01
08	0503033428	ADHESIVE LABEL		02
09	0503034003	SERIAL NUMBER TAG 61 X 118		01
10	0503031087	ADHESIVE LABEL		01

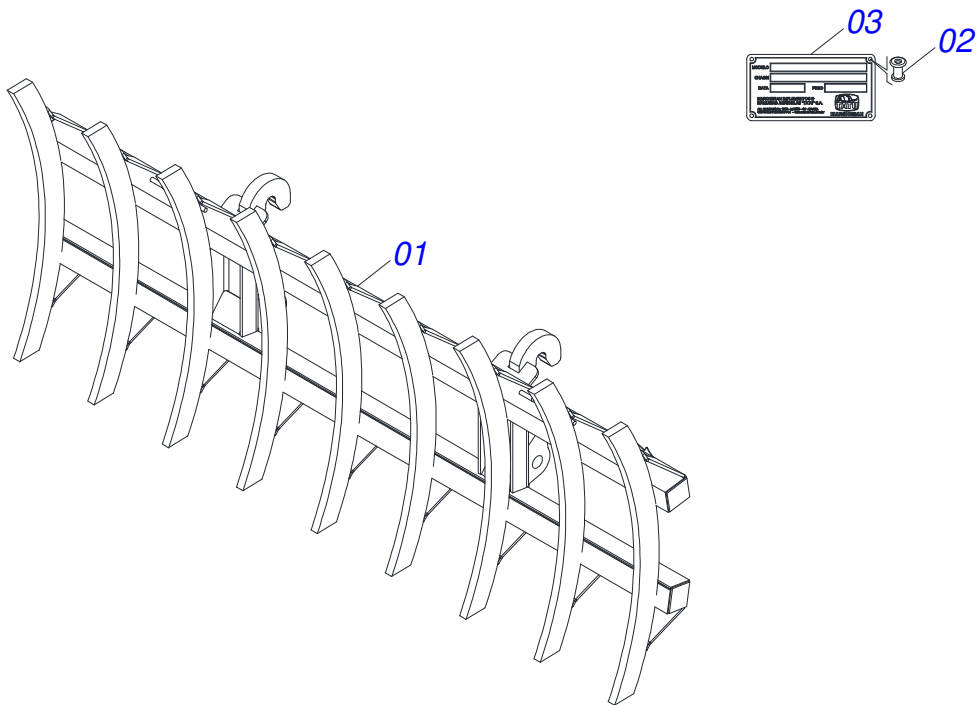


Item	Code	Description	See page	QT
01	0521060235	CROSSPIECE		01
02	0521060317	U COUPLING FOR CROSSPIECE		01
03	0501012916	FLAT WASHER 38,50 X 66 X 4,75 ZN		02
04	0501011301	1.1/2 UNC 6FPP 2.5/16 NUT		01
05	0503010010	1/4" X 2.1/2" COTTERPIN		01
06	0503010002	1800 GREASE FITTING		01
07	0581011022	COUPLING SHAFT		01
08	0521066708	HOOK HITCH		01

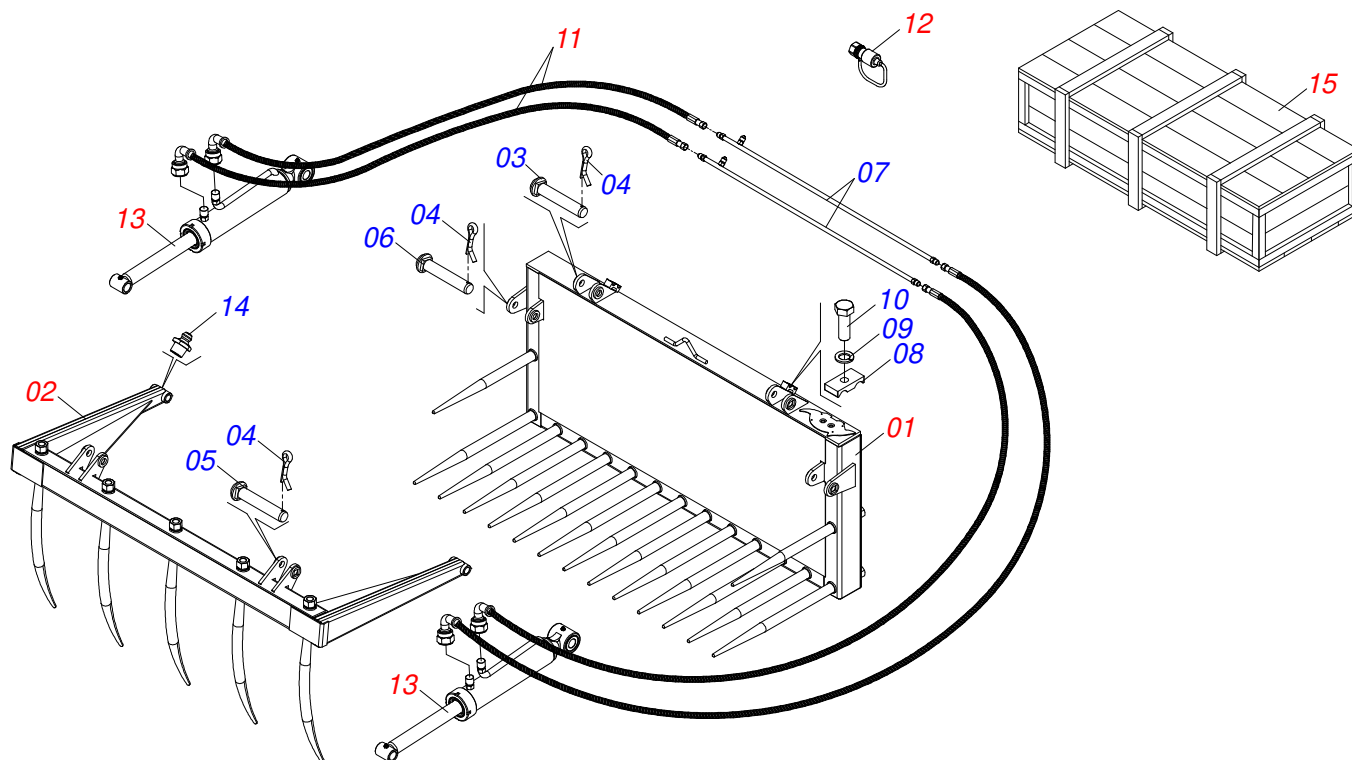




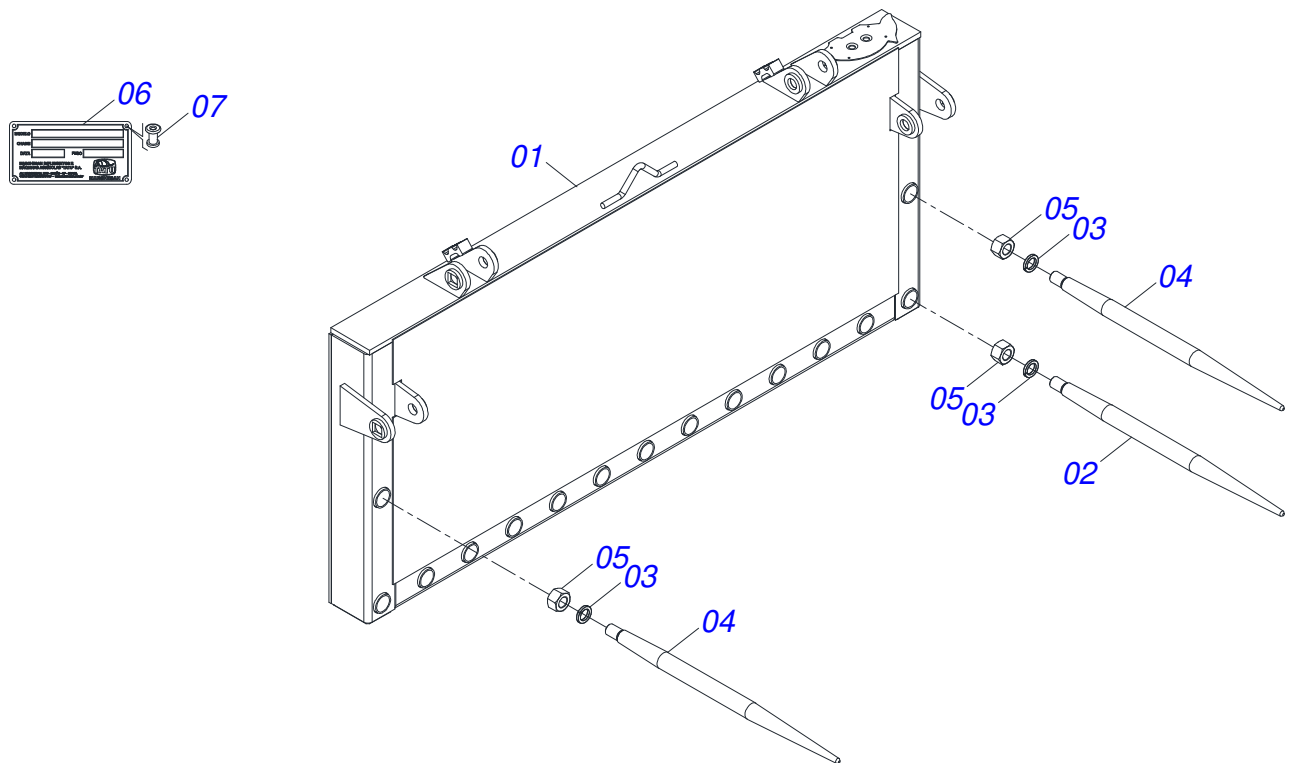
Item	Code	Description	See page	QT
01	0521062191	BOOM		02
02	0531060894	BOOM SUPPORT		01
03	0503034006	ADHESIVE LABEL		01
04	0503034070	ADHESIVE LABEL		02
05	0503034003	SERIAL NUMBER TAG 61 X 118		01
06	0503010001	3.2 X 5.5 RIVET		04



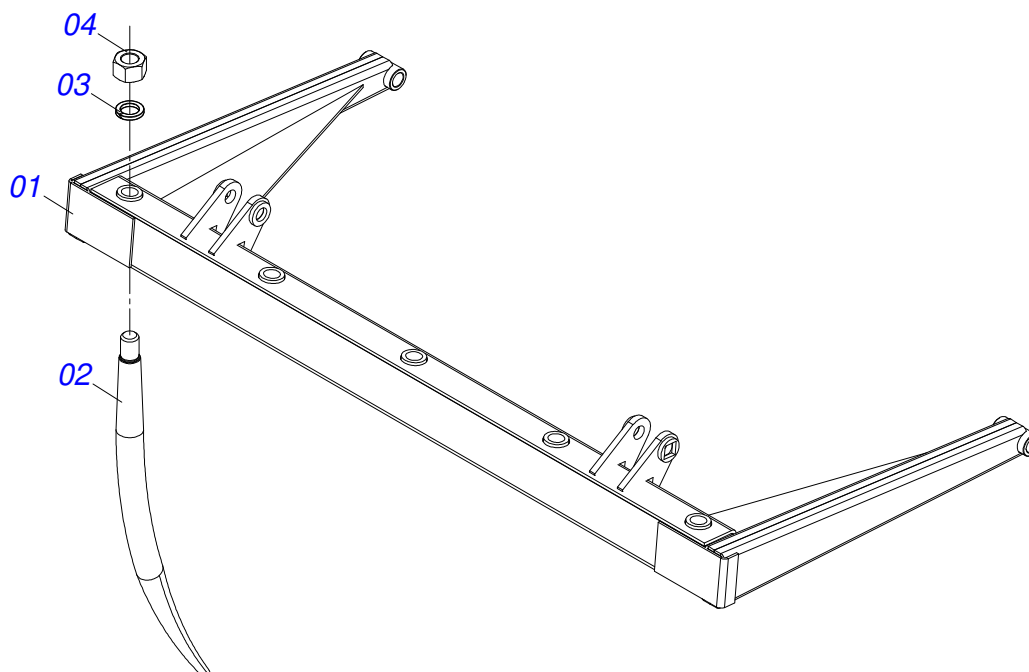
Item	Code	Description	See page	QT
01	0531060889	REFUSE RAKER		01
02	0503010001	3.2 X 5.5 RIVET		04
03	0503034003	SERIAL NUMBER TAG 61 X 118		01



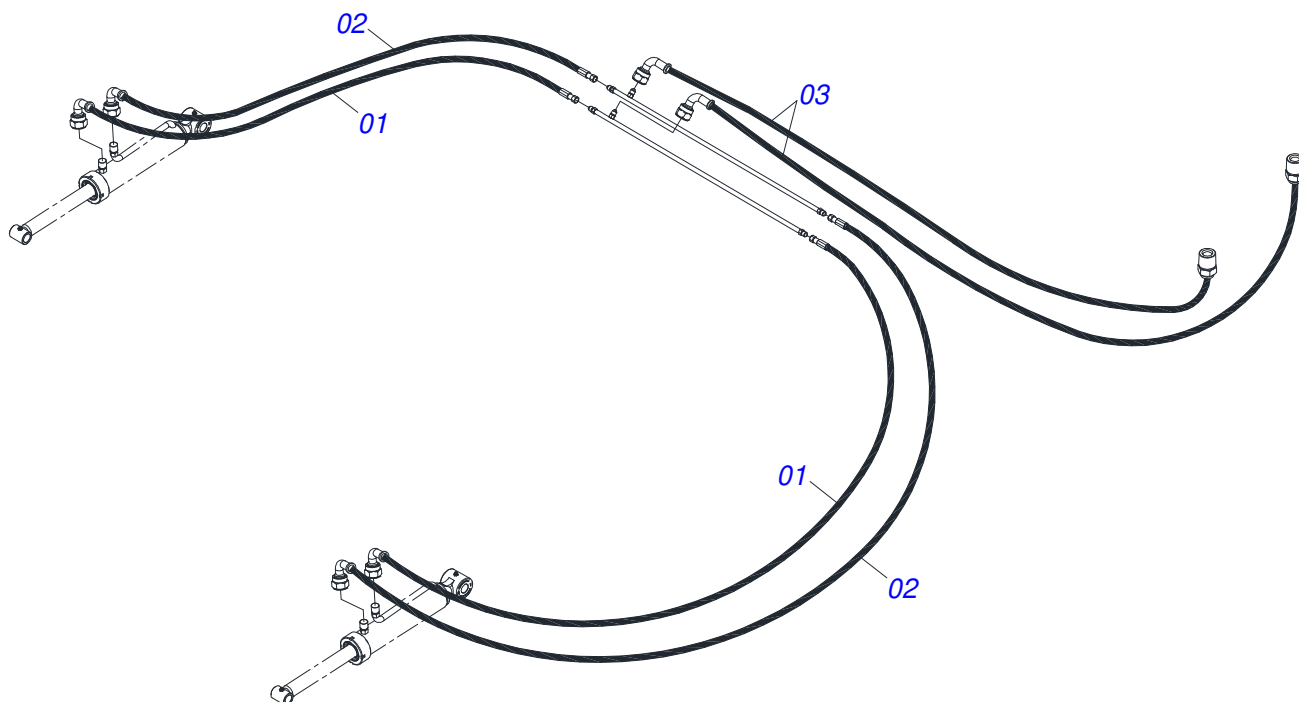
Item	Code	Description	See page	QT
01	0531051125	FIXED FRAME	18	01
02	0501051503	MOBILE FRAME WITH TEETH	19	01
03	0541014925	1" X 5" COUPLING SHAFT		02
04	0503010571	1/4" X 1.1/2 COTTERPIN		06
05	0541014926	0.9" X 4.0" COUPLING SHAFT		02
06	0511019623	0.9" X 5.4" COUPLING SHAFT		02
07	0501068686	OIL TUBE		02
08	0531011180	UPPER BODY CLIP		02
09	0503010180	7/16" SPRING WASHER		02
10	0503812561	BOLT 7/16 UNC X 1.1/4 C S G.7 SA		02
11	0511057116	HOSE KIT	20	01
12	0501053834	MALE QUICK COUPLER	11	02
13	0511058444	HYDRAULIC CYLINDER	9	02
14	0503010002	1800 GREASE FITTING		02
15	0521021932	BOX WITH COMPONENTS	21	01



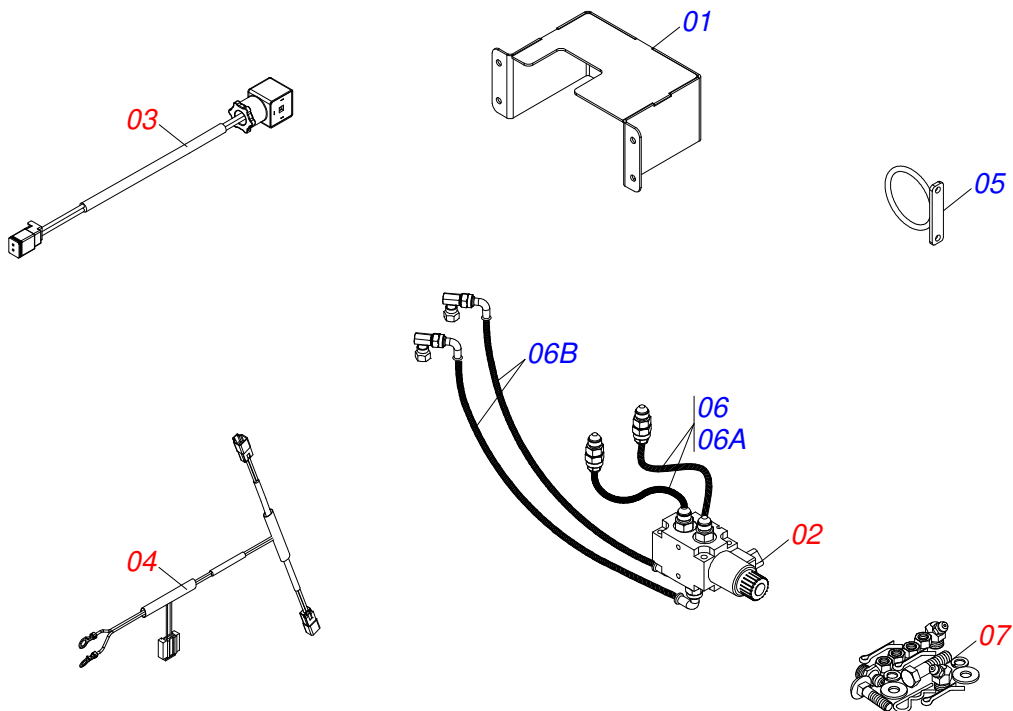
Item	Code	Description	See page	QT
01	0531060892	FIXED FRAME		01
02	0541014899	1-1/2" X 30" STRAIGHT TEETH		13
03	0503011438	SPRING WASHER		15
04	0541014900	1-1/2" X 26" STRAIGHT TEETH		02
05	0503010340	1" NUT		15
06	0503034003	SERIAL NUMBER TAG 61 X 118		01
07	0503010001	3.2 X 5.5 RIVET		04



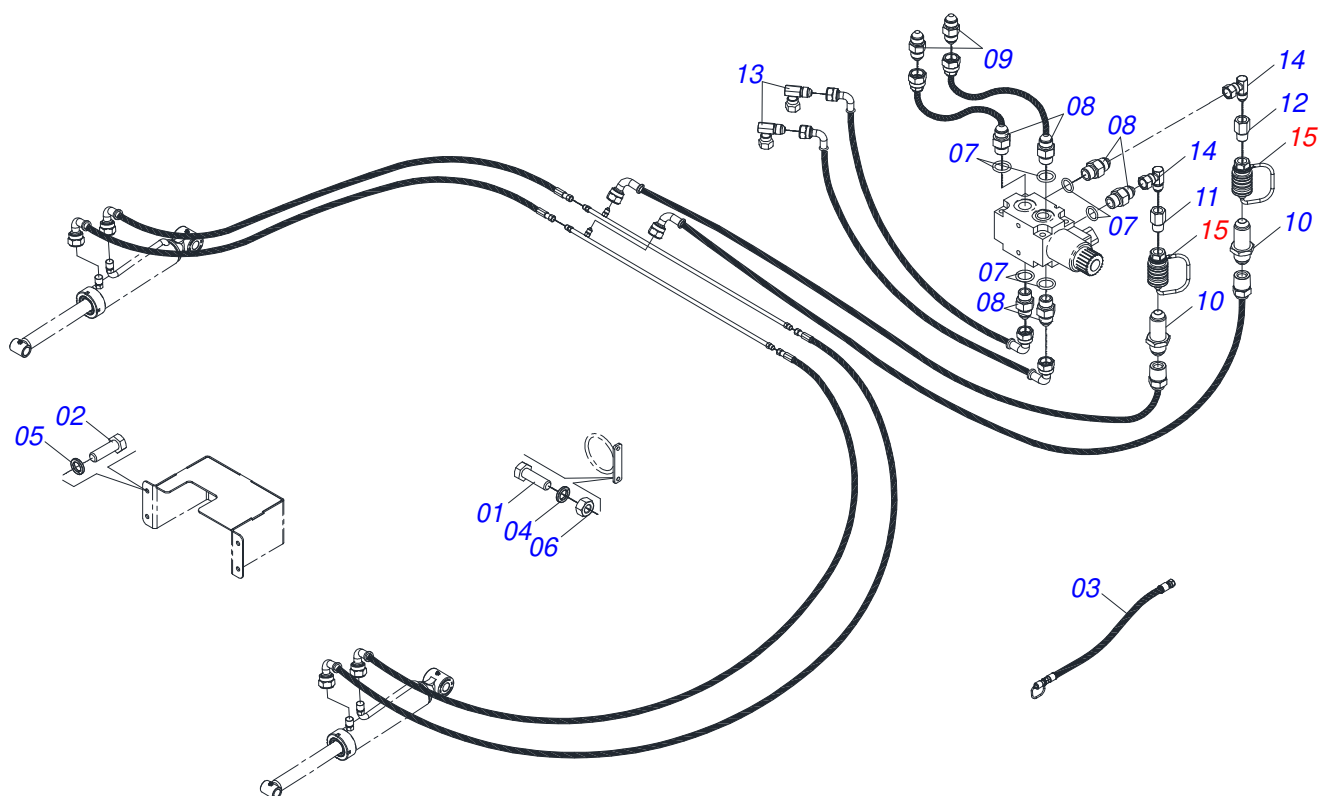
Item	Code	Description	See page	QT
01	0501068610	MOBILE FRAME		01
02	0541014802	1-1/2" X 26" BENT TOOTH		05
03	0503011438	SPRING WASHER		05
04	0503010340	1" NUT		05



Item	Code	Description	See page	QT
01	0501080599	3/8 X 650 TR-TC HOSE		02
02	0501080328	3/8" X 29" TR-TC HOSE		02
03	0501080597	3/8" X 43" TC-TM HOSE		02

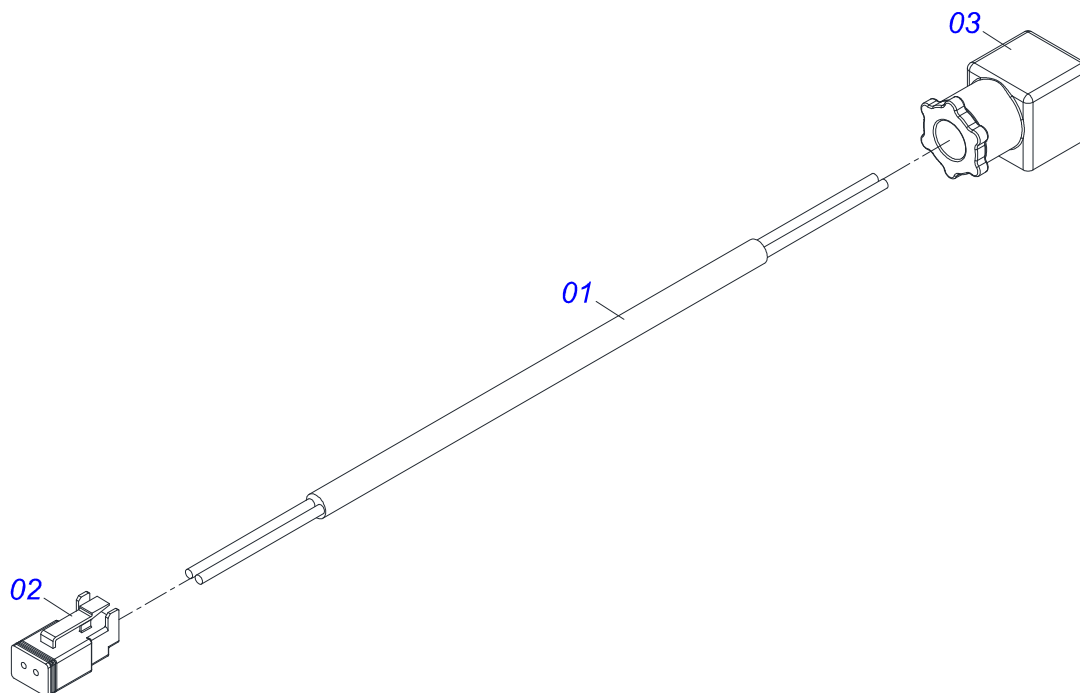


Item	Code	Description	See page	QT
01	0521066429	PROTECTION COVER		01
02	0503017808	ELECTRIC FLOW DEVIER		01
03	0511057831	CABLE M/PLUS PARKER	23	01
04	0511057830	CABLE ELECTRIC (TRACTOR)	24	01
05	0521066428	HOSE GUIDE		01
06	0521050889	HOSE KIT		01
06A	0501080105	3/8 X 700 TR-TR HOSE		02
06B	0501081282	MANGUERA 3/8" X 1550 TC-TC		02
07	0511031912	PACKED PARTS	22	01

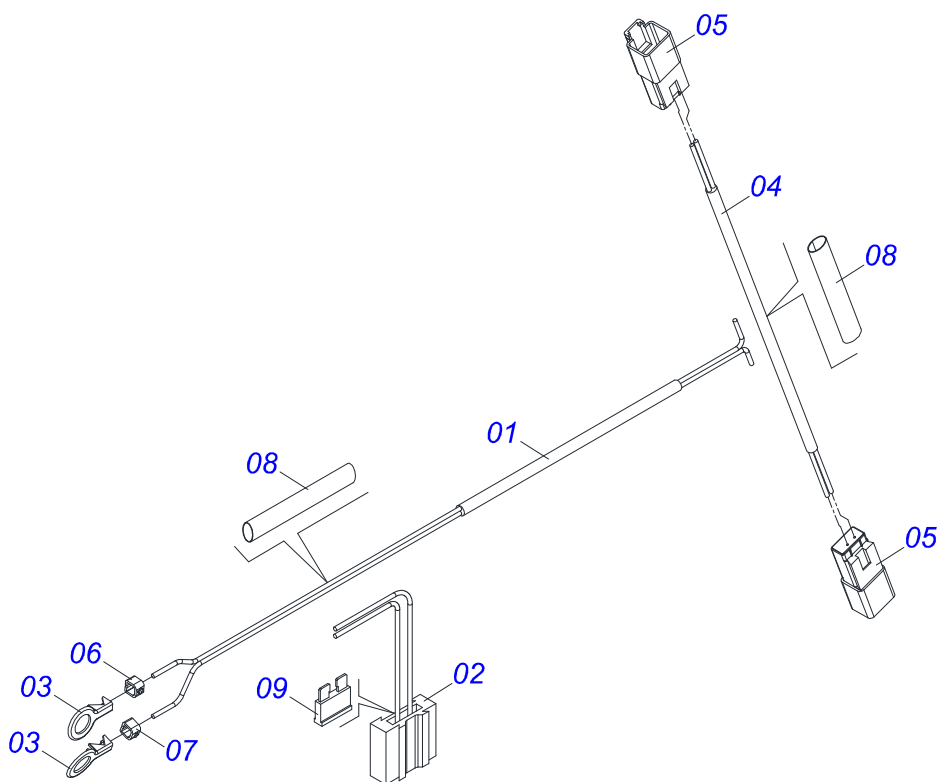


Item	Code	Description	See page	QT
01	0503010371	5/16" X 1" BOLT		02
02	0503013849	1/4" UNC X 3/4" BOLT		04
03	0503018141	FLEXIBLE HOSE 7 OIL FILTER ASSY		02
04	0503010179	LOCK WASHER		02
05	0503010143	1/4" SPRING WASHER		06
06	0503010337	5/16" NUT		02
07	0503010190	2-114 N 3006-9B O'RING		06
08	0501010617	3/4" NIPPLE		06
09	0571018714	3/4"X3/4"UNF NIPPLE UNION (HEXAGONAL 7/8"X50)		02
10	0541012166	NIPPLE 3/4" UNF X 7/8"		02
11	0581010084	JIC ADAPTER		02
12	0503033685	ADAPTER 3/4 X 7/8		02
13	0503018033	37 X R.7/8 UNF 90° JIC MALE CONNECTOR WITH ROTATING NUT		02
14	0503018034	MALE KNEE JIC		04
15	0501053835	FEMALE QUICK COUPLER	10	02

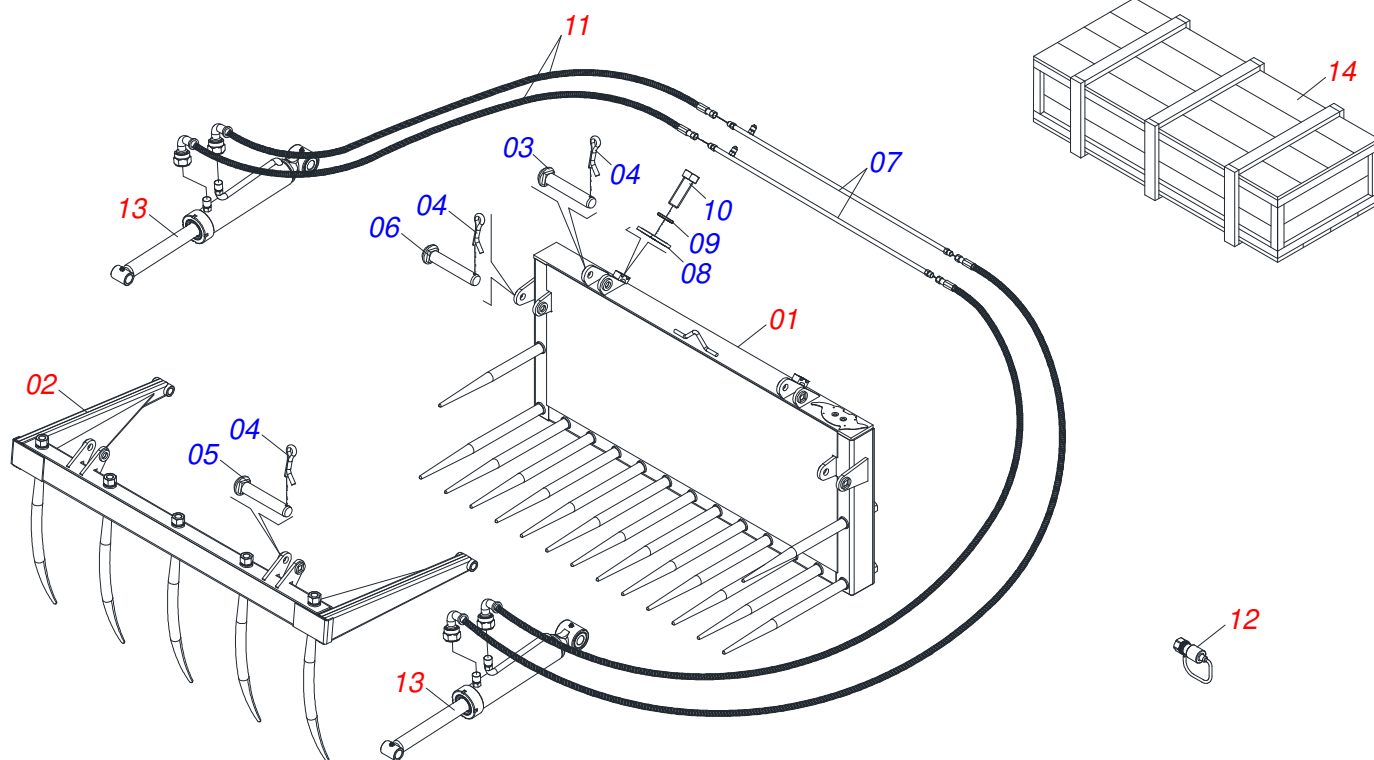




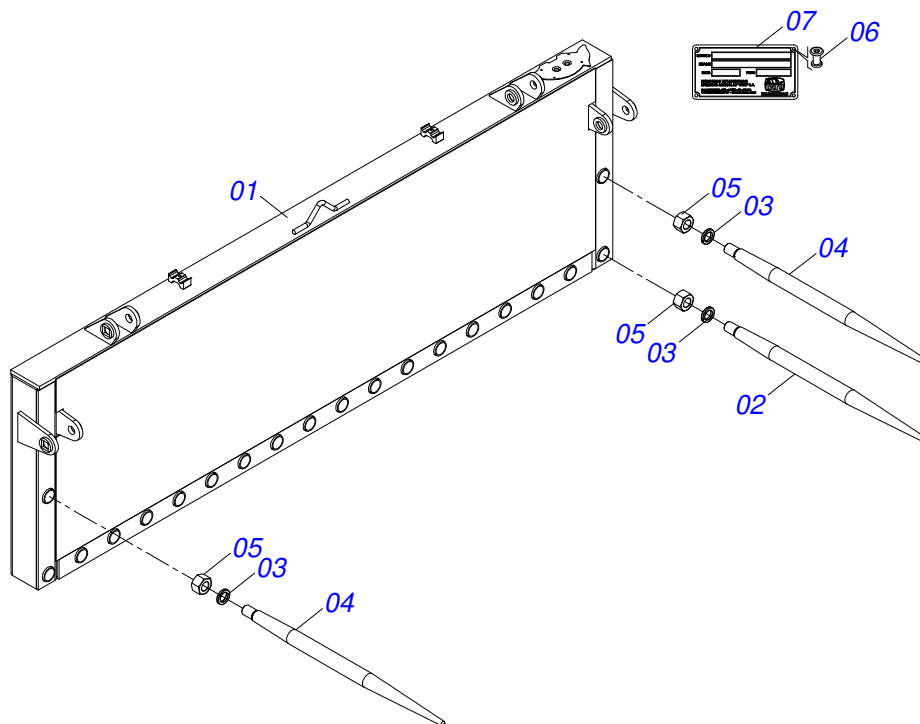
Item	Code	Description	See page	QT
01	0581010080	CABLE		01
02	0503018016	CONECTOR		01
03	0503013566	PARKER PLUG		01



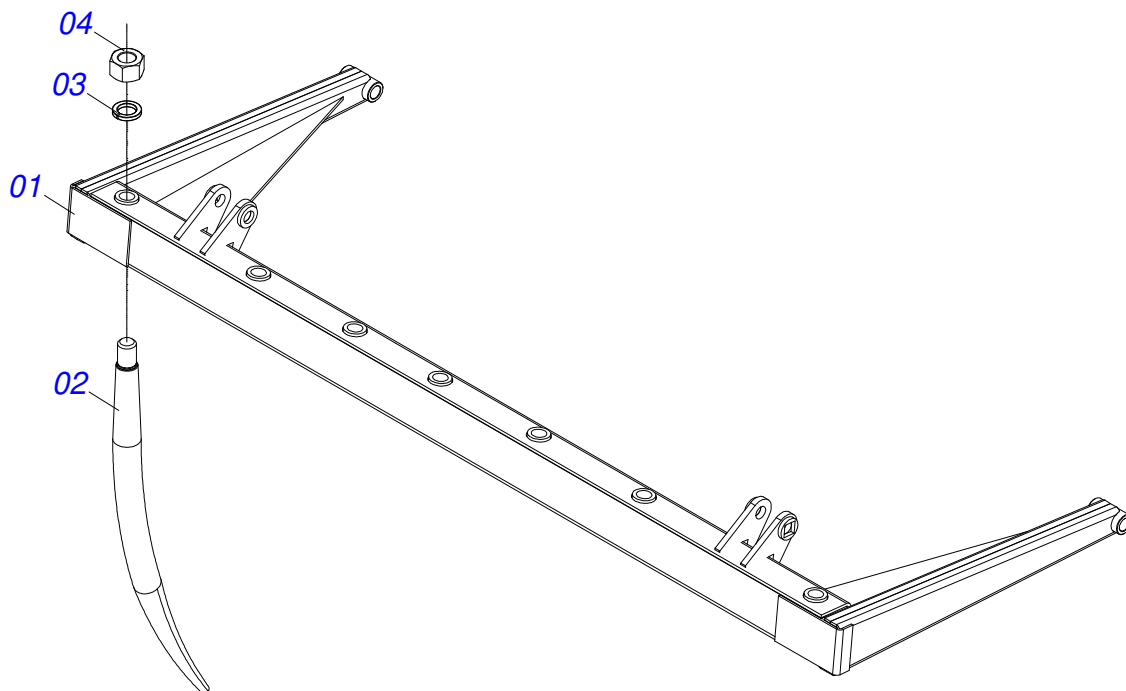
Item	Code	Description	See page	QT
01	0581010077	CABLE		01
02	0503016455	SUPPBLE FUSE		01
03	0503014591	RING CONNECTOR		02
04	0581010078	CABLE		01
05	0503018017	CONECTOR		02
06	0503013576	RING IDENTIFICATION		01
07	0503013577	RING IDENTIFICATION		01
08	0581010079	TUBE		02
09	0503018021	FUSE		01



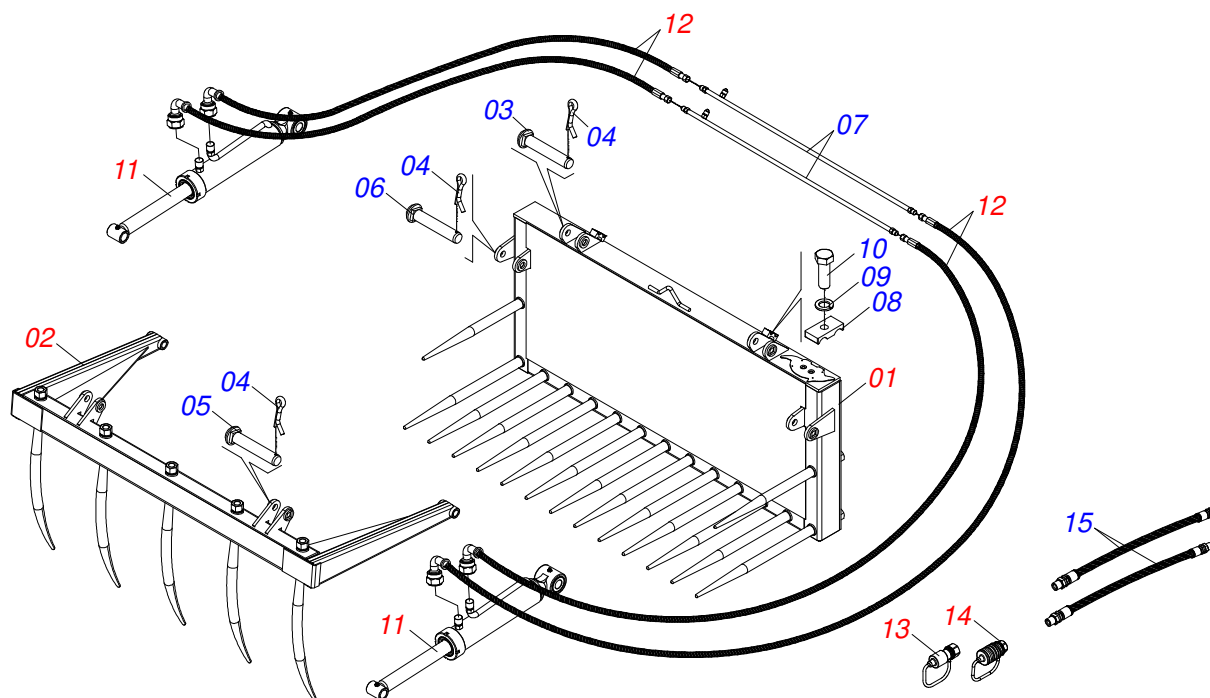
Item	Code	Description	See page	QT
01	0531051122	FIXED FRAME	26	01
02	0501055862	MOBILE FRAME WITH TEETH	27	01
03	0541014925	1" X 5" COUPLING SHAFT		02
04	0503010571	1/4" X 1.1/2 COTTERPIN		06
05	0541014926	0.9" X 4.0" COUPLING SHAFT		02
06	0511019623	0.9" X 5.4" COUPLING SHAFT		02
07	0501068686	OIL TUBE		02
08	0531011180	UPPER BODY CLIP		02
09	0503010180	7/16" SPRING WASHER		02
10	0503012561	7/16" X 1-1/4" BOLT		02
11	0511057116	HOSE KIT	20	01
12	0503011627	MALE QUICK COUPLER AGR 1/2 NPT		02
13	0511058444	HYDRAULIC CYLINDER	9	02
14	0521021932	BOX WITH COMPONENTS	21	01



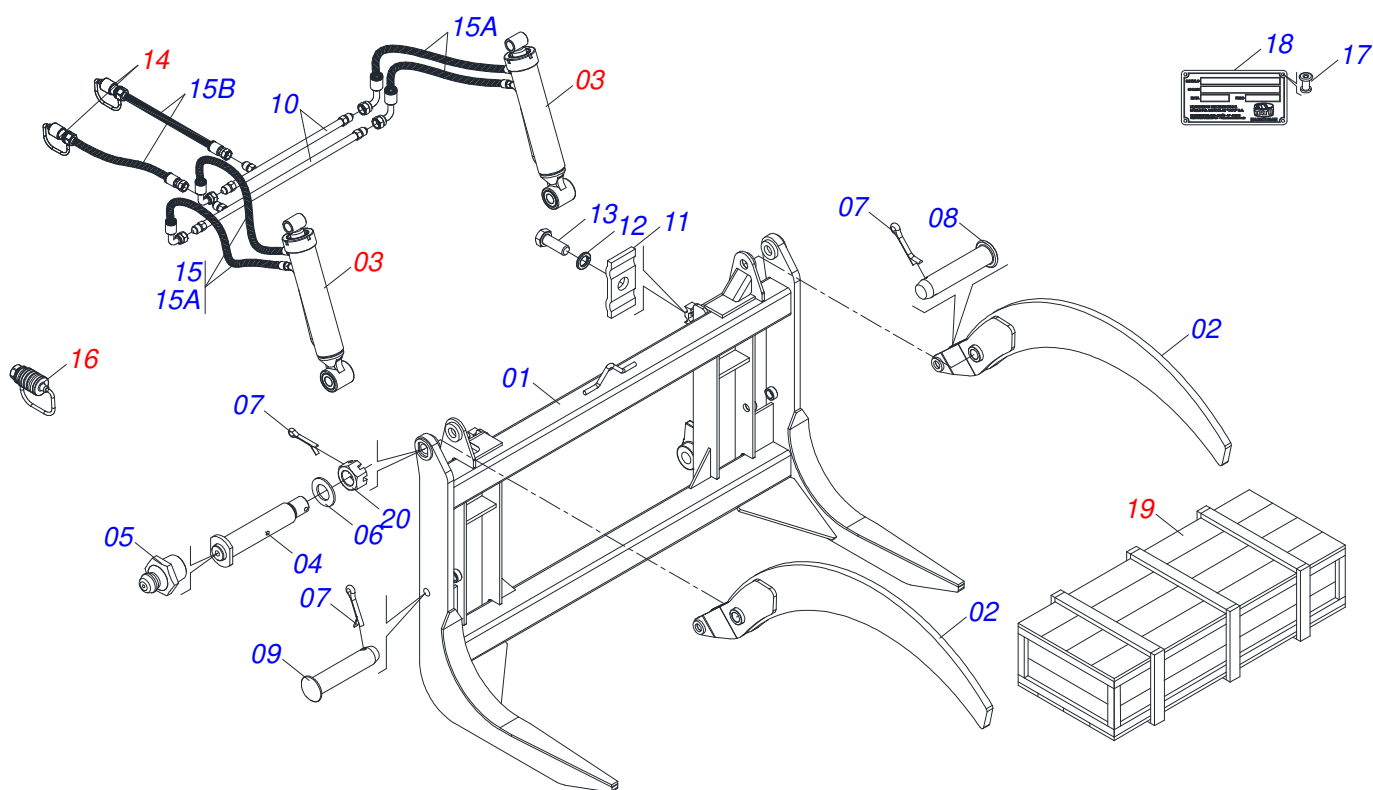
Item	Code	Description	See page	QT
01	0531060891	FIXED FRAME		01
02	0541014899	1-1/2" X 30" STRAIGHT TEETH		18
03	0503011438	SPRING WASHER		20
04	0541014900	1-1/2" X 26" STRAIGHT TEETH		02
05	0503010340	1" NUT		20
06	0503010001	3.2 X 5.5 RIVET		04
07	0503034003	SERIAL NUMBER TAG 61 X 118		01



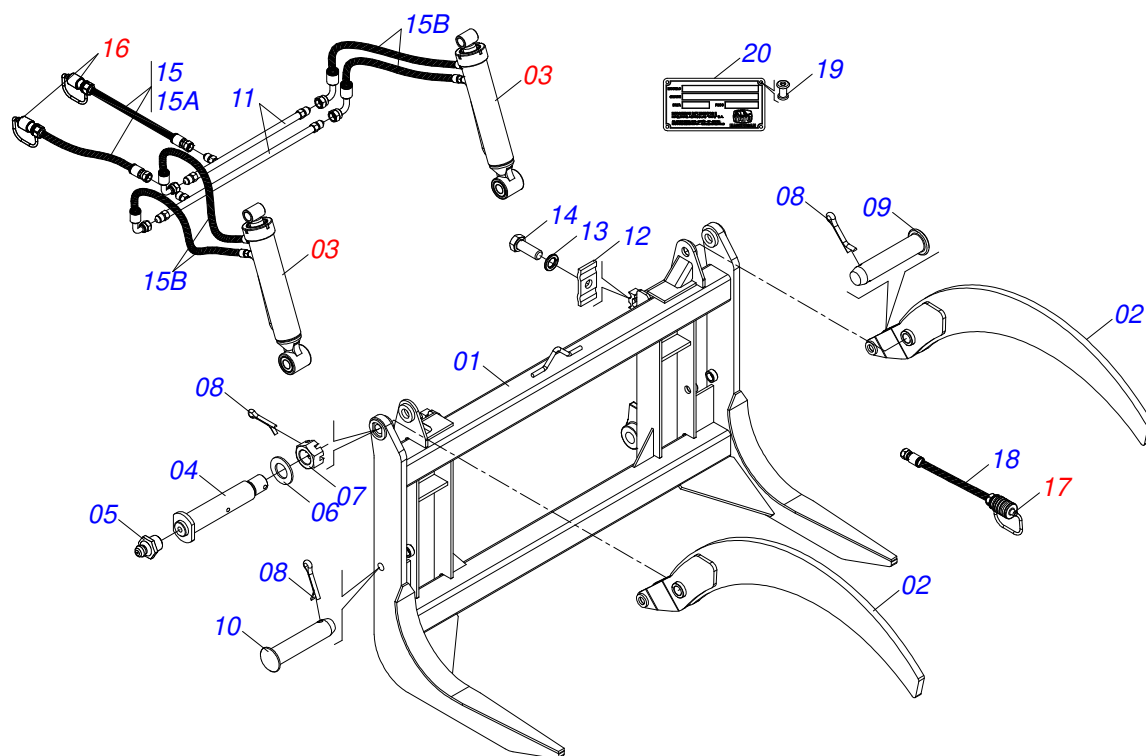
Item	Code	Description	See page	QT
01	0511066117	MOBILE FRAME		01
02	0541014802	1-1/2" X 26" BENT TOOTH		07
03	0503011438	SPRING WASHER		07
04	0503010340	1" NUT		07



Item	Code	Description	See page	QT
01	0531051122	FIXED FRAME	26	01
02	0501055862	MOBILE FRAME WITH TEETH	27	01
03	0541014925	1" X 5" COUPLING SHAFT		02
04	0503010571	1/4" X 1.1/2 COTTERPIN		06
05	0541014926	0.9" X 4.0" COUPLING SHAFT		02
06	0511019623	0.9" X 5.4" COUPLING SHAFT		02
07	0501068686	OIL TUBE		02
08	0531011180	UPPER BODY CLIP		02
09	0503010180	7/16" SPRING WASHER		02
10	0503012561	7/16" X 1-1/4" BOLT		02
11	0511058444	HYDRAULIC CYLINDER	9	02
12	0511057116	HOSE KIT	20	01
13	0503011627	MALE QUICK COUPLER AGR 1/2 NPT		04
14	0501053835	FEMALE QUICK COUPLER	10	02
15	0501080784	3/8 X 5500 HOSE TM-TM		02



Item	Code	Description	See page	QT
01	0531060893	FIXED FRAME		01
02	0521061520	CLAW MOBILE		02
03	0511058444	HYDRAULIC CYLINDER	9	02
04	0521061524	PIVOT SHAFT		02
05	0503010002	1800 GREASE FITTING		02
06	0501011445	FLAT WASHER		03
07	0503010523	1/4" X 2" COTTERPIN		06
08	0521010579	COUPLING SHAFT		02
09	0521810784	JUNCTION AXIS 25.40 X 165 HOLE 150		02
10	0501068686	OIL TUBE		02
11	0531011180	UPPER BODY CLIP		02
12	0503010025	3/8" SPRING WASHER		02
13	0503010237	3/8" X 1" BOLT		02
14	0501053834	MALE QUICK COUPLER	11	02
15	0531050045	HOSE ASSY		01
15A	0501080465	3/8 X 400 TR-TC HOSE ASSY		04
15B	0501080652	3/8" X 78" TC-TM HOSE ASSY		02
16	0501053835	FEMALE QUICK COUPLER	10	02
17	0503010001	3.2 X 5.5 RIVET		04
18	0503034003	SERIAL NUMBER TAG 61 X 118		01
19	0521021932	BOX WITH COMPONENTS	21	01
20	0503030009	1" CASTLE NUT		02



Item	Code	Description	See page	QT
01	0531060893	FIXED FRAME		01
02	0521061520	CLAW MOBILE		02
03	0511058444	HYDRAULIC CYLINDER	9	02
04	0521061524	PIVOT SHAFT		02
05	0503010002	1800 GREASE FITTING		02
06	0501011445	FLAT WASHER		03
07	0503830009	1" X 0.9" CASTLE NUT		02
08	0503010523	1/4" X 2" COTTERPIN		06
09	0521010579	COUPLING SHAFT		02
10	0521810784	JUNCTION AXIS 25.40 X 165 HOLE 150		02
11	0501068686	OIL TUBE		02
12	0531011180	UPPER BODY CLIP		02
13	0503010025	3/8" SPRING WASHER		02
14	0503010237	3/8" X 1" BOLT		02
15	0531050045	HOSE ASSY		01
15A	0501080652	3/8" X 78" TC-TM HOSE ASSY		02
15B	0501080465	3/8 X 400 TR-TC HOSE ASSY		04
16	0501053834	MALE QUICK COUPLER	11	01
17	0501053835	FEMALE QUICK COUPLER	10	01
18	0501080784	3/8 X 5500 HOSE TM-TM		01
19	0503010001	3.2 X 5.5 RIVET		04
20	0503034003	SERIAL NUMBER TAG 61 X 118		01







**MARCHESAN**

**Technical Publications | Elaboration and Revision**

LORENA ROCHA ALVES

[www.marchesan.com.br](http://www.marchesan.com.br)

