

ROTARY CUTTERS

RC2E 2300/2600 R
RC2E 2300/2600 R

Code: 0501093241
Series: S-0222
Revision: 00
Revision Date: AUGUST/2023

PARTS CATALOGUE



MARCHESAN



PRODUCTS

Code	Working Width	Description
0104120092		RC2 E 2300 R S-0222
0104120093		RC2 E 2600 R S-0222

ATTENTION: IMPORTANT

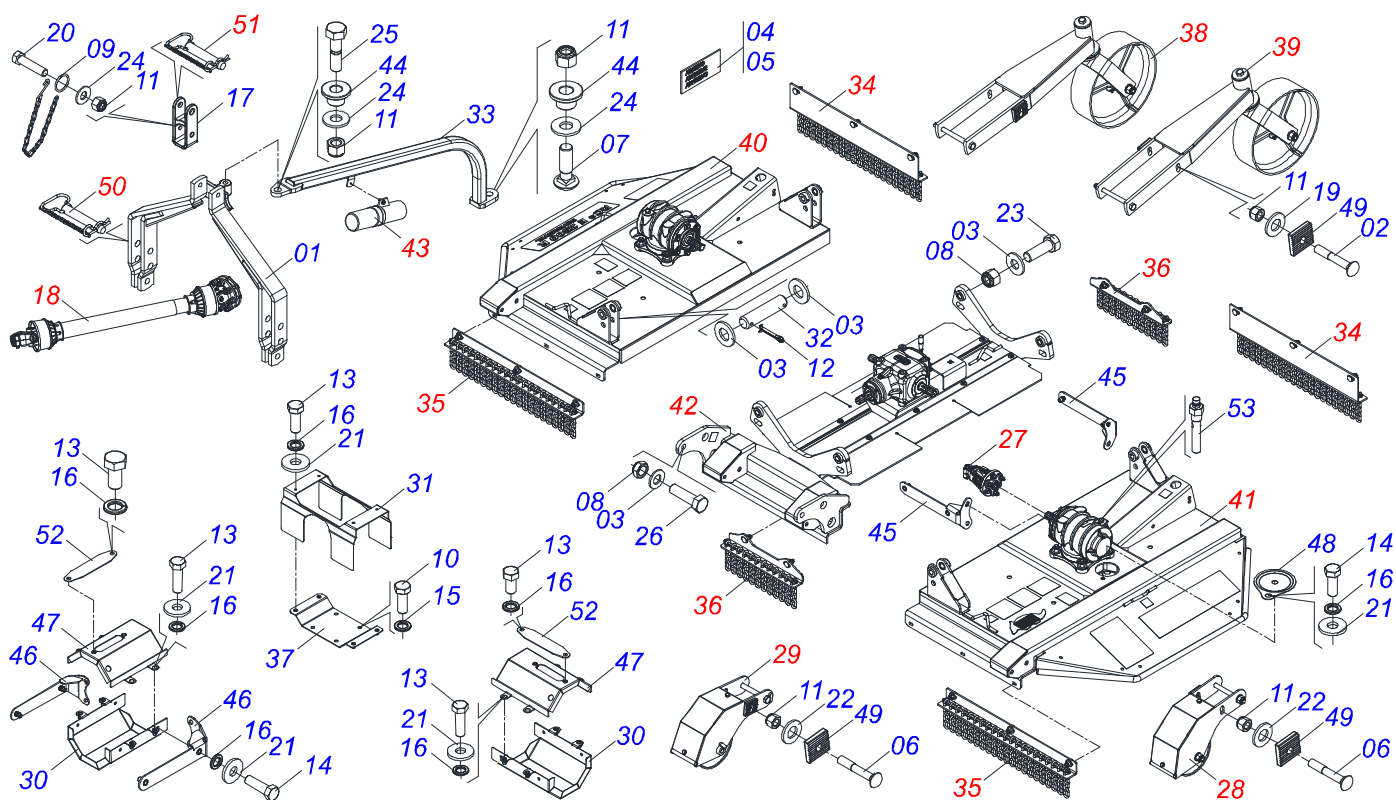
Marchesan S.A. reserves the right to improve and/or modify the technical features of its products, without obligation to do the same with those products already sold and without prior knowledge of the dealer or the customer. The photos are only illustrative.



MARCHESAN

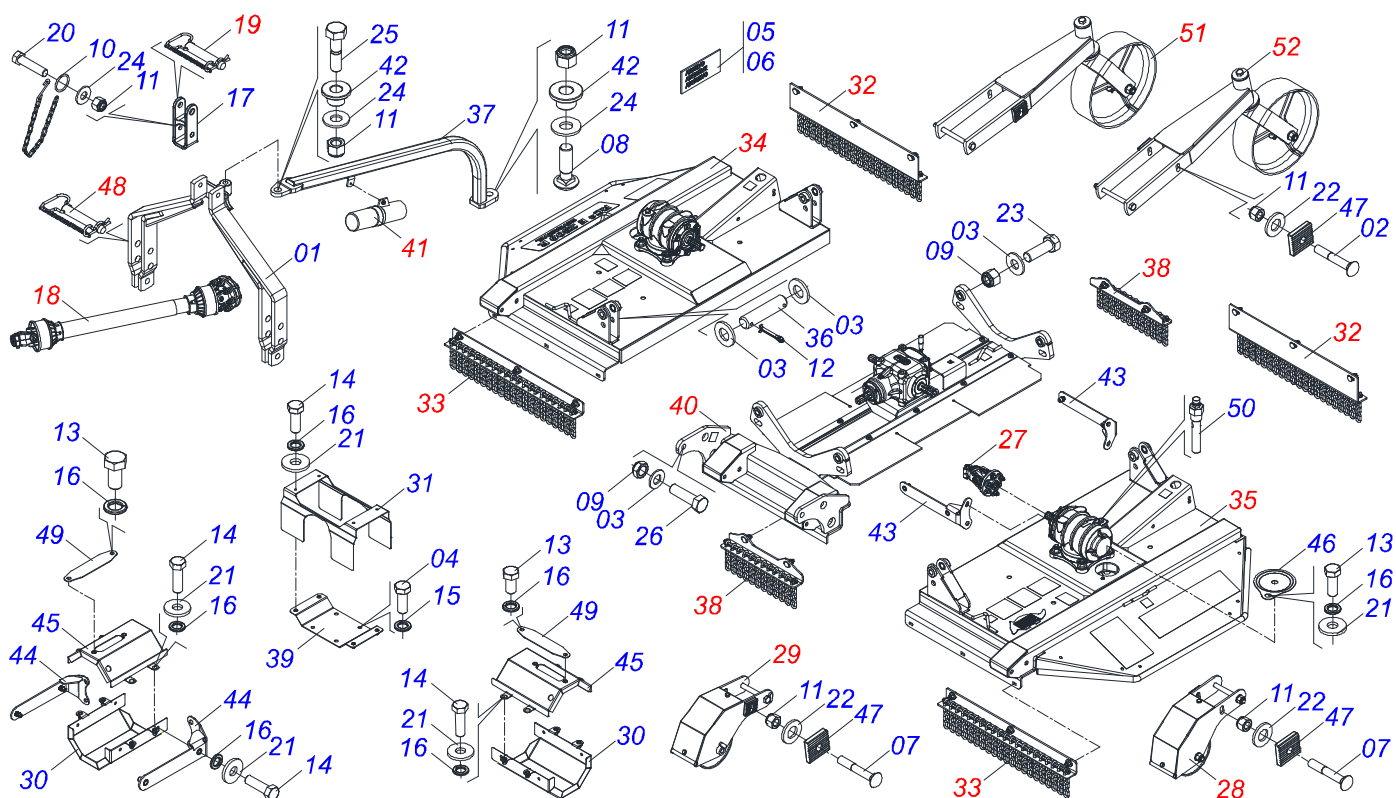
INDEX

0531041643	ASSY FRAME - RC2E 2300 R	1
0531041645	ASSY FRAME - RC2E 2600 R	2
0501045426	DRIVE SHAFT	3
0501049150	90 KGM FRICTION	4
0531044297	ELASTIC COUPLING JOINT	5
0531044298	ELASTIC COUPLING JOINT	6
0531058689	ELASTIC COUPLING	7
0531058690	ELASTIC COUPLING 1.3/8 AXLE	8
0531058419	ASSY LEFT FRONT WHEEL	9
0521058153	WHELL LEFT	10
0531058418	RIGHT FRONT WHEEL ASSY	11
0531053076	REAR CHAIN PROTECTION SIDE CHASSIS	12
0531053071	REAR CHAIN PROTECTION SIDE CHASSIS	13
0531053077	FRONT CHAIN PROTECTION SIDE CHASSIS	14
0531053072	FRONT CHAIN ??PROTECTION SIDE CHASSIS	15
0531053078	CENTRAL CURRENT PROTECTION	16
0531041649	RIGHT CARRYING WHEELS ASSEMBLY	17
0501058460	CARRYING WHEELS	18
0531041650	LEFT CARRYING WHEELS ASSEMBLY	19
0531053080	FRAME SEMI RIGHT SIDE MOUNTED	20
0531053073	FRAME SEMI RIGHT SIDE MOUNTED	21
0531053081	FRAME SEMI LEFT SIDE MOUNTED	22
0531053074	FRAME SEMI MOUNTED SIDE LEFT	23
0531054377	COMPLETE CENTRAL FRAME WITH DISTRIBUTOR	24
0531053082	CUTTERS SUPPORT	25
0501046948	MULTIPLIER	26
0531053075	CUTTERS SUPPORT	27
0531053079	MANUAL CANISTER ASSY	28
0521054328	AXLE 27,80 X EC 130 ASSY	29
0521054135	AXLE 25,00 X EC 130 ASSY	30



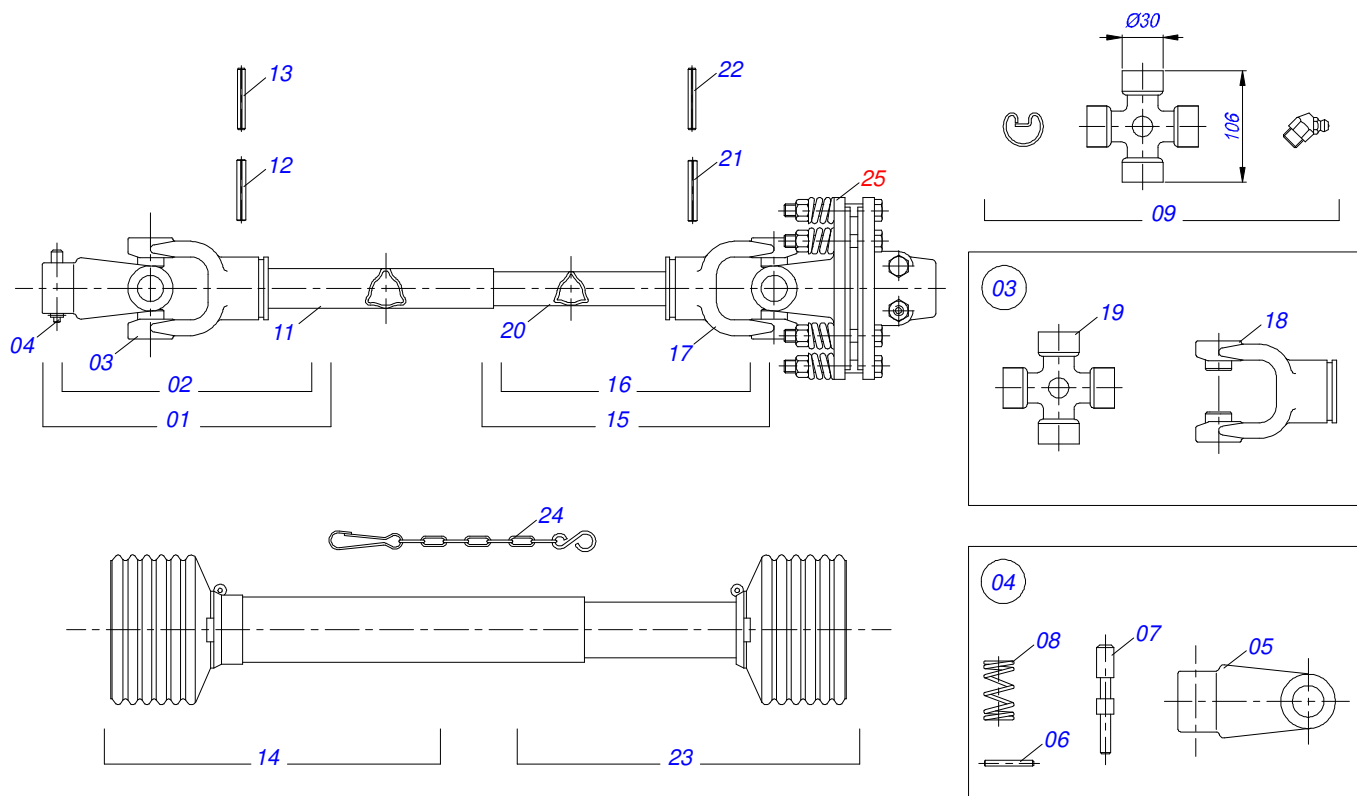
Item	Code	Description	See page	QT
01	0501066446	DRAWBAR		01
02	0513011677	SCREW 3/4 X 10 UNC X 2A X 8.1/2 GR 5 RP-ZN C.A.P.Q		02
03	0511015994	FLAT WASHER		14
04	0503034247	LUBRICATION POINT DECAL		03
05	0503031087	AUTO CONTROL APPROVED DECAL		01
06	0503019835	3/4 -10 UNC - 2A X 8BOLT		05
07	0503014249	3/4" X 2-1/2" BOLT		01
08	0503014182	SELF-ADJUSTING NUT		06
09	0503011981	17.7" CHAIN WITH HOOK/LINK		01
10	0503011167	M16 X 2 X 30 BOLT		04
11	0503011075	3/4 UNC LOCK NUT		10
12	0503010577	3/16" X 1.1/4" SPLIT PIN		08
13	0503010256	3/8" X 3/4" BOLT		06
14	0503010237	3/8" X 1" BOLT		30
15	0503010027	5/8 SPRING WASHER		04
16	0503010025	3/8 SPRING WASHER		36
17	0502040922	DRAWBAR SUPPLEMENT		01
18	0501045426	DRIVE SHAFT	3	01
19	0501012425	FLAT WASHER		02
20	0501011545	3/4" X 6-1/2" BOLT		01
21	0501010984	10,50 X 27 X 3,00 FLAT WASHER		14
22	0501010941	FLAT WASHER		05
23	0501010392	1" X 5" BOLT		04
24	0501010322	20,50 X 46 X 4,00 ZN FLAT WASHER		03
25	0501010216	3/4 UNC X 4.1/2 C S G.5 ZN BOLT		01
26	0501010171	BOLT 1 UNC X 3.1/2 C S G.5		02
27	0531044297	ELASTIC COUPLING JOINT	5	02
28	0531058419	ASSY LEFT FRONT WHEEL	9	02
29	0531058418	RIGHT FRONT WHEEL ASSY	11	03
30	0501111144	BOTTOM PROTECTION COVER COUPLING WITH RIVET		03

Item	Code	Description	See page	QT
31	0501211001	PROTECTION COVER		01
32	0501211002	COUPLING SHAFT		04
33	0531060688	FRENCH HAND		01
34	0531053076	REAR CHAIN PROTECTION SIDE CHASSIS	12	02
35	0531053077	FRONT CHAIN PROTECTION SIDE CHASSIS	14	02
36	0531053078	CENTRAL CURRENT PROTECTION	16	02
37	0501111011	DISTRIBUTOR PROTECTION BASE		01
38	0531041649	RIGHT CARRYING WHEELS ASSEMBLY	17	01
39	0531041650	LEFT CARRYING WHEELS ASSEMBLY	19	01
40	0531053080	FRAME SEMI RIGHT SIDE MOUNTED	20	01
41	0531053081	FRAME SEMI LEFT SIDE MOUNTED	22	01
42	0531054377	COMPLETE CENTRAL FRAME WITH DISTRIBUTOR	24	01
43	0531053079	MANUAL CANISTER ASSY	28	01
44	0591014147	SIDE SUPPORT GUIDE SLEEVE		02
45	0501110996	LOWER SUPPORT COVER PROTECTION WITH RIVET		04
46	0501110997	LARGER SUPPORT COVER PROTECTION		02
47	0501110998	CARDAN TOP PROTECTION COVER		03
48	0591012025	ACCESS COVER		02
49	0581019983	SCREW RACK 3/4 GR		07
50	0521054328	AXLE 27,80 X EC 130 ASSY	29	02
51	0521054135	AXLE 25,00 X EC 130 ASSY	30	01
52	0581012546	LUBRICATION AXIS TRANSMISSION		03
53	0501110186	OIL SMALLER LEVEL INDICATOR		02

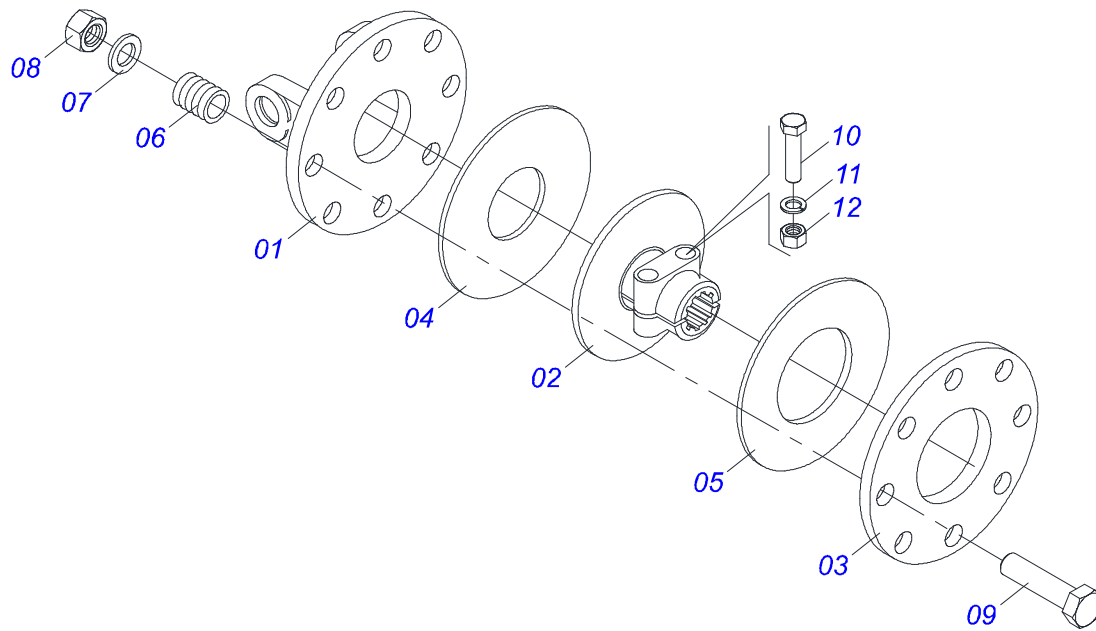


Item	Code	Description	See page	QT
01	0501066446	DRAWBAR		01
02	0513011677	SCREW 3/4 X 10 UNC X 2A X 8.1/2 GR 5 RP-ZN C.A.P.Q		02
03	0511015994	FLAT WASHER		14
04	0503011167	M16 X 2 X 30 BOLT		04
05	0503034247	LUBRICATION POINT DECAL		03
06	0503031087	AUTO CONTROL APPROVED DECAL		01
07	0503019835	3/4 -10 UNC - 2A X 8BOLT		05
08	0503014249	3/4" X 2-1/2" BOLT		01
09	0503014182	SELF-ADJUSTING NUT		06
10	0503011981	17.7" CHAIN WITH HOOK/LINK		01
11	0503011075	3/4 UNC LOCK NUT		10
12	0503010577	3/16" X 1.1/4" SPLIT PIN		08
13	0503010256	3/8" X 3/4" BOLT		06
14	0503010237	3/8" X 1" BOLT		30
15	0503010027	5/8 SPRING WASHER		04
16	0503010025	3/8 SPRING WASHER		36
17	0502040922	DRAWBAR SUPPLEMENT		01
18	0501045426	DRIVE SHAFT	3	01
19	0521054135	AXLE 25,00 X EC 130 ASSY	30	01
20	0501011545	3/4" X 6-1/2" BOLT		01
21	0501010984	10,50 X 27 X 3,00 FLAT WASHER		14
22	0501010941	FLAT WASHER		07
23	0501010392	1" X 5" BOLT		04
24	0501010322	20,50 X 46 X 4,00 ZN FLAT WASHER		03
25	0501010216	3/4 UNC X 4.1/2 C S G.5 ZN BOLT		01
26	0501010171	BOLT 1 UNC X 3.1/2 C S G.5		02
27	0531044298	ELASTIC COUPLING JOINT	6	02
28	0531058419	ASSY LEFT FRONT WHEEL	9	02
29	0531058418	RIGHT FRONT WHEEL ASSY	11	03
30	0501111144	BOTTOM PROTECTION COVER COUPLING WITH RIVET		03

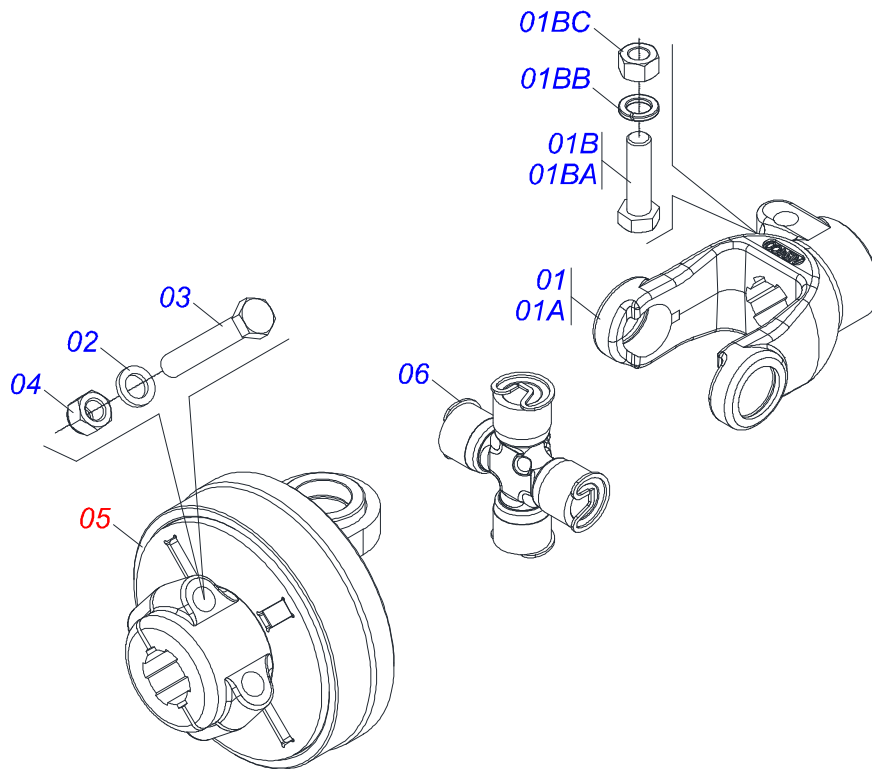
Item	Code	Description	See page	QT
31	0501211001	PROTECTION COVER		01
32	0531053071	REAR CHAIN PROTECTION SIDE CHASSIS	13	02
33	0531053072	FRONT CHAIN ??PROTECTION SIDE CHASSIS	15	02
34	0531053073	FRAME SEMI RIGHT SIDE MOUNTED	21	01
35	0531053074	FRAME SEMI MOUNTED SIDE LEFT	23	01
36	0501211002	COUPLING SHAFT		04
37	0531060688	FRENCH HAND		01
38	0531053078	CENTRAL CURRENT PROTECTION	16	02
39	0501111011	DISTRIBUTOR PROTECTION BASE		01
40	0531054377	COMPLETE CENTRAL FRAME WITH DISTRIBUTOR	24	01
41	0531053079	MANUAL CANISTER ASSY	28	01
42	0591014147	SIDE SUPPORT GUIDE SLEEVE		02
43	0501110996	LOWER SUPPORT COVER PROTECTION WITH RIVET		04
44	0501110997	LARGER SUPPORT COVER PROTECTION		02
45	0501110998	CARDAN TOP PROTECTION COVER		03
46	0591012025	ACCESS COVER		02
47	0581019983	SCREW RACK 3/4 GR		07
48	0521054328	AXLE 27,80 X EC 130 ASSY	29	02
49	0581012546	LUBRICATION AXIS TRANSMISSION		03
50	0501110186	OIL SMALLER LEVEL INDICATOR		02
51	0531041649	RIGHT CARRYING WHEELS ASSEMBLY	17	01
52	0531041650	LEFT CARRYING WHEELS ASSEMBLY	19	01



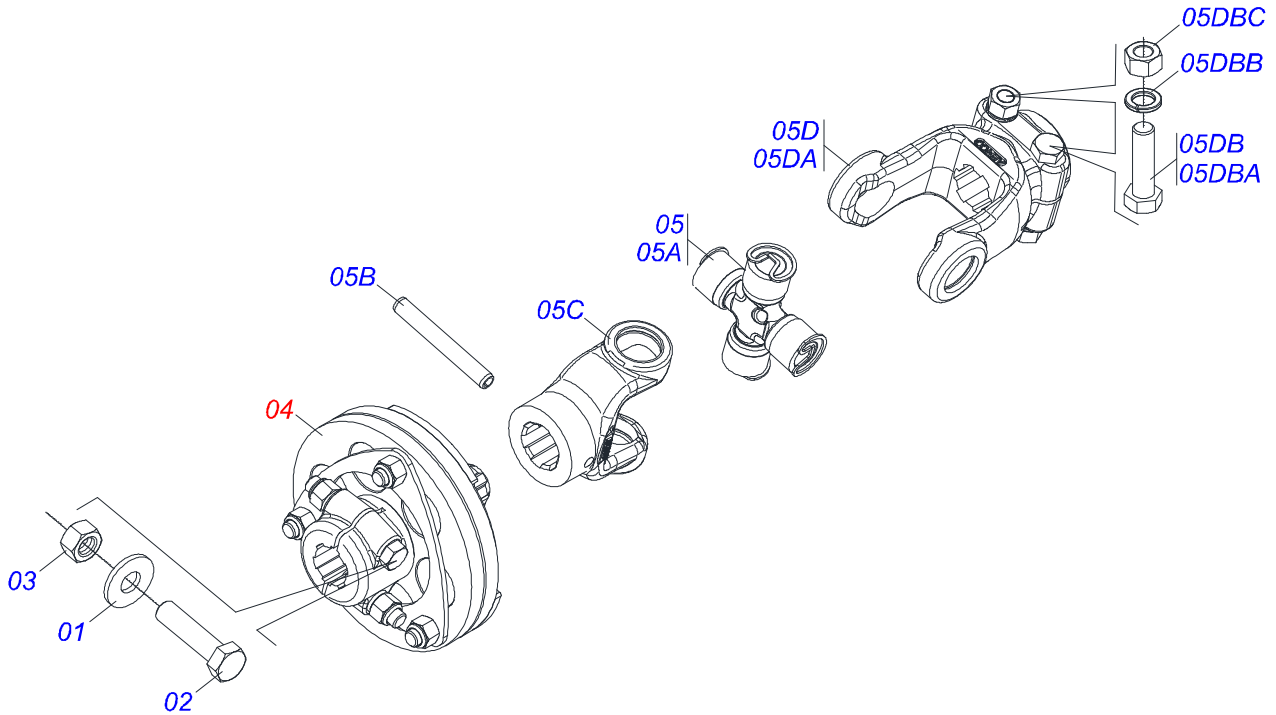
Item	Code	Description	See page	QT
01	0501052529	UNIVERSAL JOINT WITH SLEEVE/PROT		01
02	0501052523	UNIVERSAL JOINT WITH SLEEVE		01
03	0501052524	UNIVERSAL JOINT		01
04	0501050334	1-60 TERMINAL WITH QUICK HITCH		01
05	0502010568	1-60 STRIATED 1.3/8" TERMINAL		01
06	0503010838	0.1" X 0.8" SPRING PIN		02
07	0503037375	PIN QUICK COUPLING		02
08	0503030518	0.5"X1.0"X 0.1" COMPRESSION SPRING		02
09	0503010837	CARDAN CROSSPIECE		01
10	0503012608	T2-60/CI51 TERMINAL		01
11	0503012609	2.1" X 2.0" X 35" TRIAN FEMALE TUB		01
12	0503010843	0.4" X 3.3" SPRING PIN		01
13	0503011878	0.2" X 3.3" SPRING PIN		01
14	0503012075	PROTECTION FOR UNIV JOINT AND SLEEVE		01
15	0501052554	UNIVERSAL JOINT WITH SHAFT/PROT		01
16	0501052553	UNIVERSAL JOINT WITH CROSS/SHAFT		01
17	0501052520	UNIVERSAL JOINT WITH CROSSPIECE		01
18	0503012600	T3-60/CI52 TERMINAL		01
19	0503010837	CARDAN CROSSPIECE		01
20	0503012610	1.8" X 1.7" X 35" TRIAN MALE TUB		01
21	0503011069	0.4" X 2.8" SPRING PIN		01
22	0503011805	0.2" X 2.8" SPRING PIN		01
23	0503012076	PROTECTION FOR UNIV JOINT AND AXLE		01
24	0503012023	CHAIN FOR PROTECTION		02
25	0501049150	90 KGM FRICTION	4	01



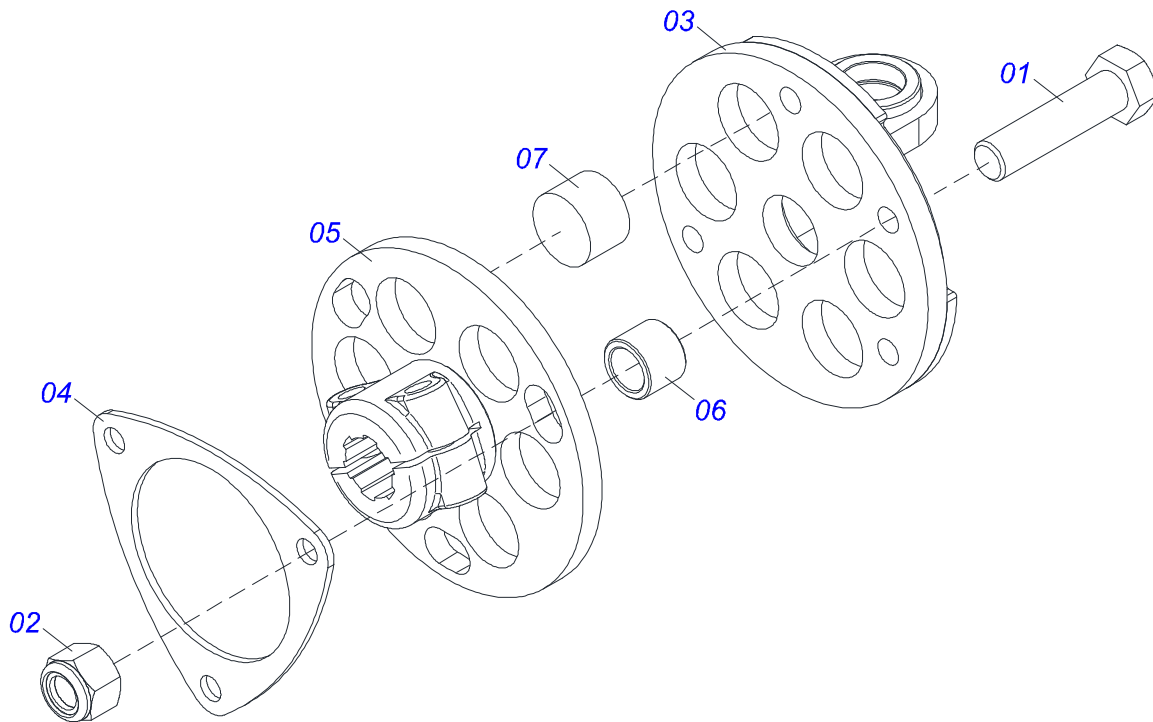
Item	Code	Description	See page	QT
01	0503031588	FRONT FLANGE		01
02	0503011869	CENTRAL FLANGE		01
03	0503011870	REAR FLANGE		01
04	0503031474	INNER FRICTION DISC		01
05	0503031478	OUTER FRICTION DISC		01
06	0503030630	1.02"X1.3"X0.2" COMPRESSION SPRING		08
07	0511017302	FLAT WASHER 13,50 X 32,50 X 3,0 ZN		08
08	0503011336	1/2" HEX SELF ADJUSTING NUT		08
09	0503010752	1/2" X 3.1/2" BOLT		08
10	0503010741	1/2" X 2-3/4" BOLT		02
11	0503010019	1/2" SPRING WASHER		02
12	0503010060	1/2 UNC G.5 ZN HEX NUT		02



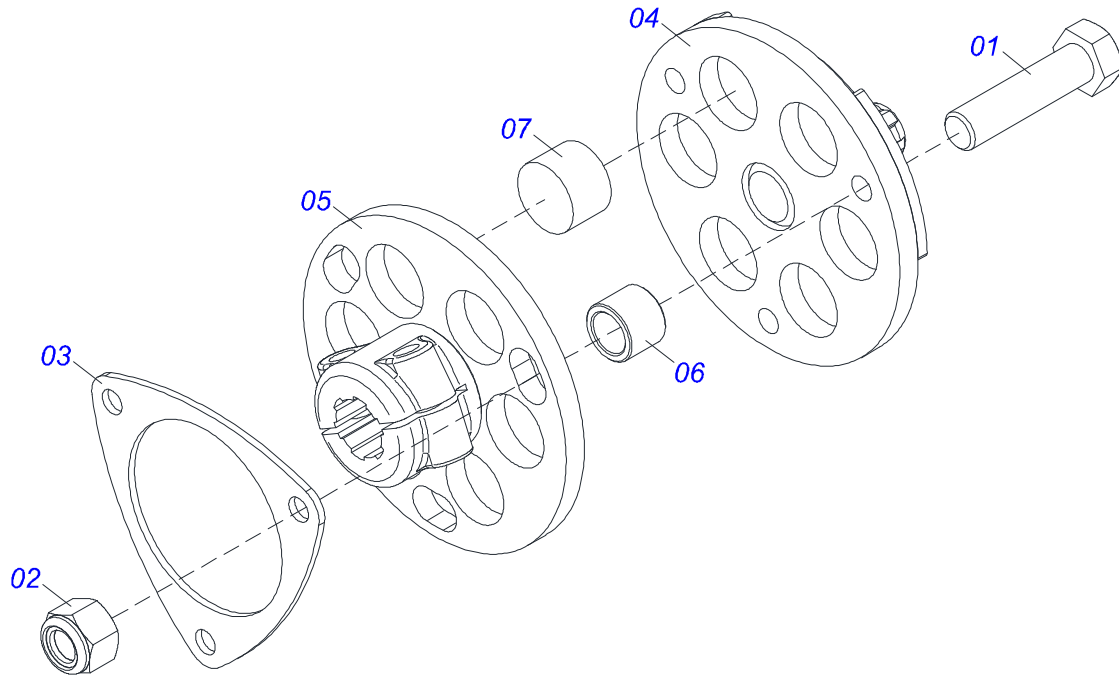
Item	Code	Description	See page	QT
01	0541050198	RIBBED TERMINAL		01
01A	0513011785	RIBBED TERMINAL		01
01B	0501047756	1/2" X 3" SET PARTS		02
01BA	0503010479	BOLT		01
01BB	0503010019	1/2" SPRING WASHER		01
01BC	0503010060	1/2 UNC G.5 ZN HEX NUT		01
02	0541012143	FLAT WASHER		02
03	0503010847	1/2" X 3.1/4" BOLT		02
04	0503010589	1/2" UNC SELF ADJUSTING NUT		02
05	0531058689	ELASTIC COUPLING	7	01
06	0503012096	CROSSPIECE		01



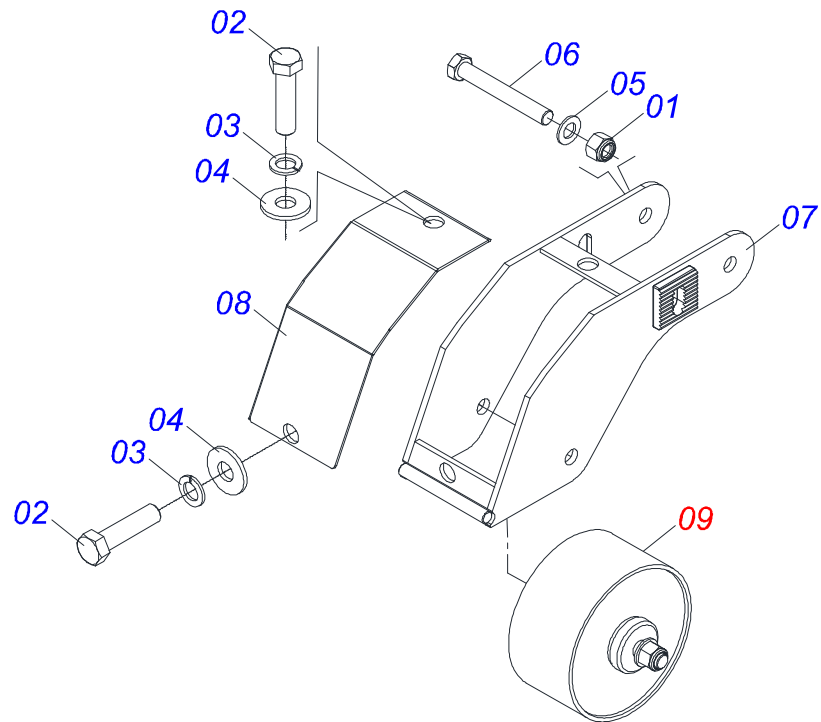
Item	Code	Description	See page	QT
01	0541012143	FLAT WASHER		02
02	0503010847	1/2" X 3.1/4" BOLT		02
03	0503010589	1/2" UNC SELF ADJUSTING NUT		02
04	0531058690	ELASTIC COUPLING 1.3/8 AXLE	8	01
05	0531054839	UNIVERSAL JUNCTION T8-CC292 / CC266		01
05A	0503012096	CROSSPIECE		01
05B	0503011877	0.3" X 2.4" SPRING PIN		01
05C	0503013131	CC266 TERMINAL		01
05D	0541050198	RIBBED TERMINAL		01
05DA	0513011785	RIBBED TERMINAL		01
05DB	0501047756	1/2" X 3" SET PARTS		02
05DBA	0503010479	BOLT		02
05DBB	0503010019	1/2" SPRING WASHER		02
05DBC	0503010060	1/2 UNC G.5 ZN HEX NUT		02



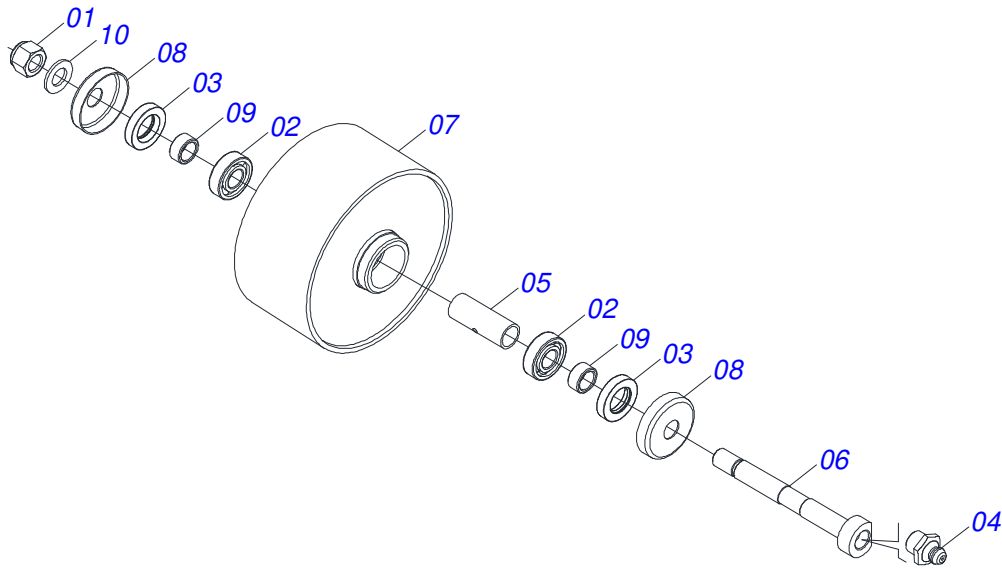
Item	Code	Description	See page	QT
01	0503011239	1/2" X 2" BOLT		03
02	0503010589	1/2" UNC SELF ADJUSTING NUT		03
03	0531065988	COUPLING FLANGE		01
04	0501310774	COUPLINING		01
05	0531065989	COUPLING FLANGE		01
06	0501310781	13,5 X 19,05 X 15 SLEEVE		03
07	0501310782	ELASTIC COUPLING RUBBER		06



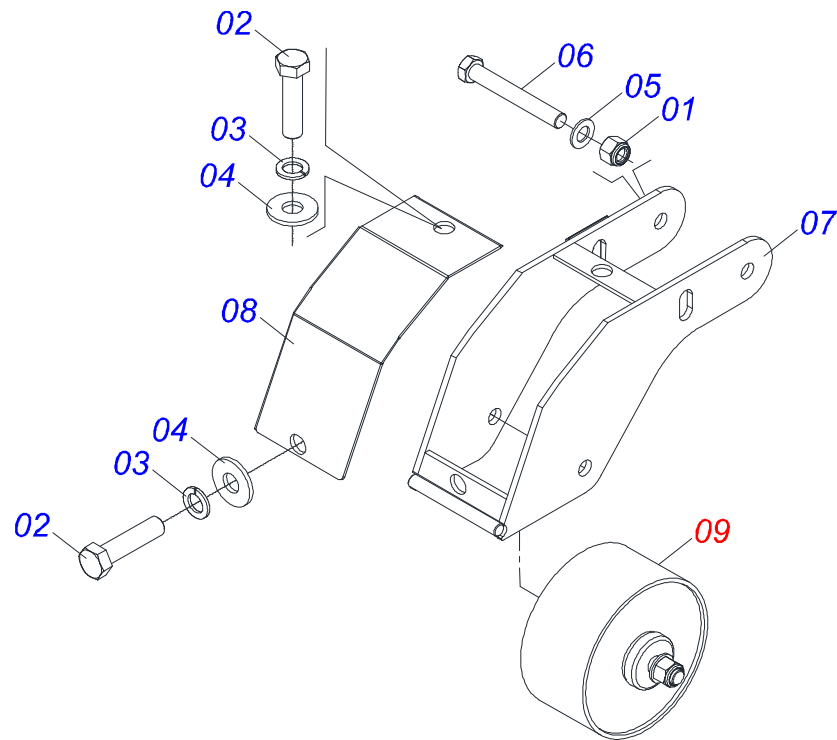
Item	Code	Description	See page	QT
01	0503011239	1/2" X 2" BOLT		03
02	0503010589	1/2" UNC SELF ADJUSTING NUT		03
03	0501310774	COUPLINING		01
04	0531065987	COUPLING FLANGE		01
05	0531065989	COUPLING FLANGE		01
06	0501310781	13,5 X 19,05 X 15 SLEEVE		03
07	0501310782	ELASTIC COUPLING RUBBER		06



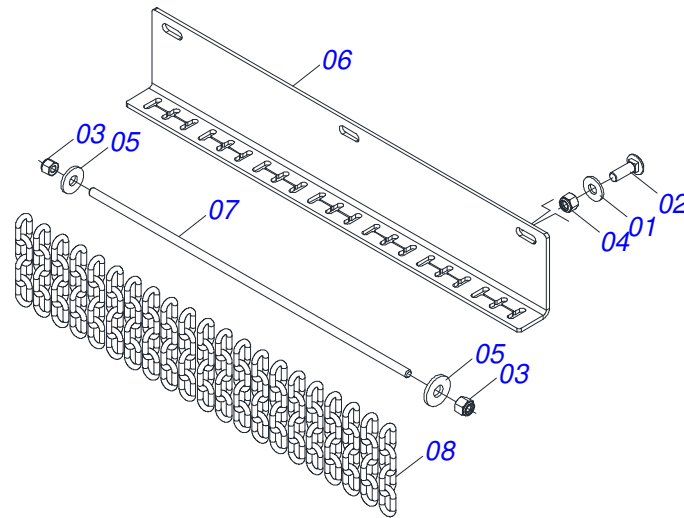
Item	Code	Description	See page	QT
01	0503011075	3/4 UNC LOCK NUT		01
02	0503010237	3/8" X 1" BOLT		02
03	0503010025	3/8 SPRING WASHER		02
04	0501010984	10,50 X 27 X 3,00 FLAT WASHER		02
05	0501010941	FLAT WASHER		01
06	0501010164	3/4" X 7 BOLT		01
07	0531065562	SUPPORT FRONT LEFT WHEEL		01
08	0501219097	SUPPORT COVER FRONT WHEEL		01
09	0521058153	WHELL LEFT	10	01



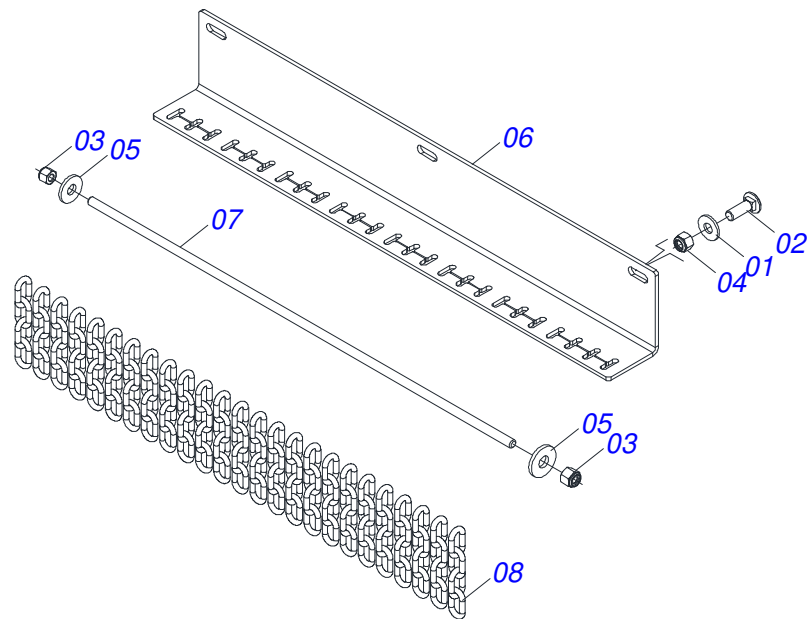
Item	Code	Description	See page	QT
01	0503011075	3/4 UNC LOCK NUT		01
02	0503010269	6204 BALL BEARING		02
03	0503010268	00262-B SEAL		02
04	0503010002	1800 GREASE FITTING		01
05	0591014101	22 X 27 X 71 BUSHING		01
06	0591014102	REAR WHELL AXLE		01
07	0531060998	REAR WHEEL 202 X 100		01
08	0511014254	DUST CLOAK		02
09	0521010487	SPACER WASHER		02
10	0501010941	FLAT WASHER		01



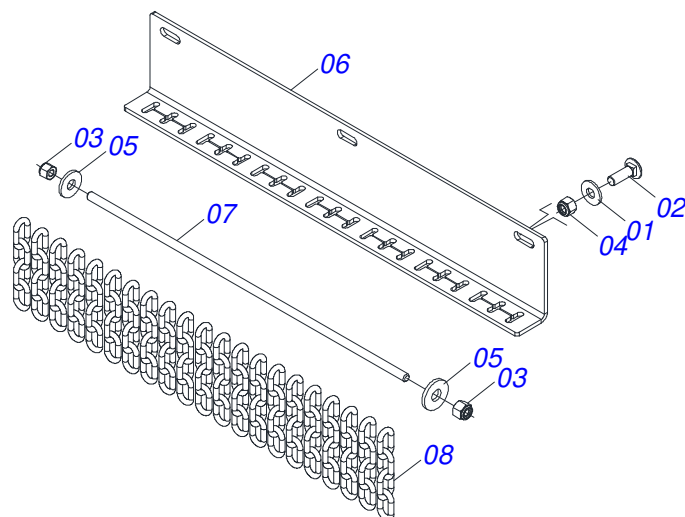
Item	Code	Description	See page	QT
01	0503011075	3/4 UNC LOCK NUT		01
02	0503010237	3/8" X 1" BOLT		02
03	0503010025	3/8 SPRING WASHER		02
04	0501010984	10,50 X 27 X 3,00 FLAT WASHER		02
05	0501010941	FLAT WASHER		01
06	0501010164	3/4" X 7 BOLT		01
07	0531065560	FRONT WHEEL SUPPORT		01
08	0501219097	SUPPORT COVER FRONT WHEEL		01
09	0521058153	WHELL LEFT	10	01



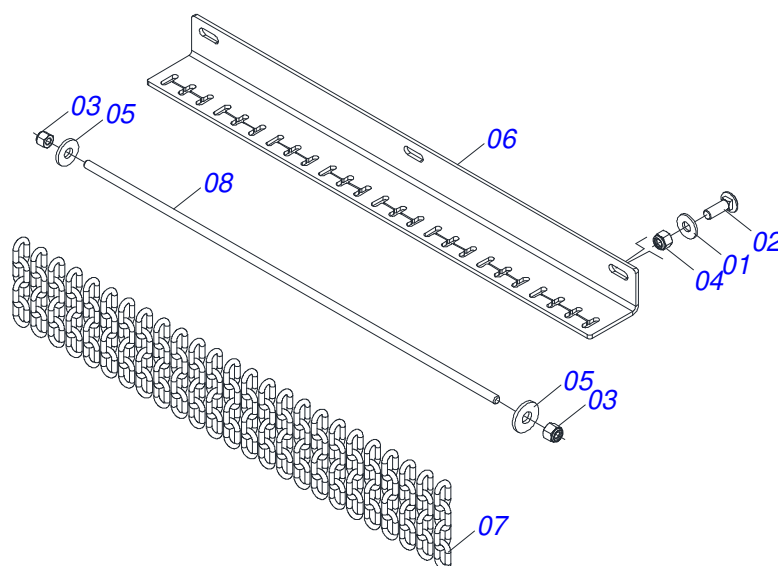
Item	Code	Description	See page	QT
01	0511017302	FLAT WASHER 13,50 X 32,50 X 3,0 ZN		03
02	0503014378	1/2" X 1-1/2" BOLT		03
03	0503013759	NUT		02
04	0503010589	1/2" UNC SELF ADJUSTING NUT		03
05	0501010984	10,50 X 27 X 3,00 FLAT WASHER		02
06	0501211004	REAR CHAIN PROTECTION BODY		01
07	0591014181	CURRENT PROTECTION BAR		01
08	0511011774	8,00 CHAIN 4 LINK		21



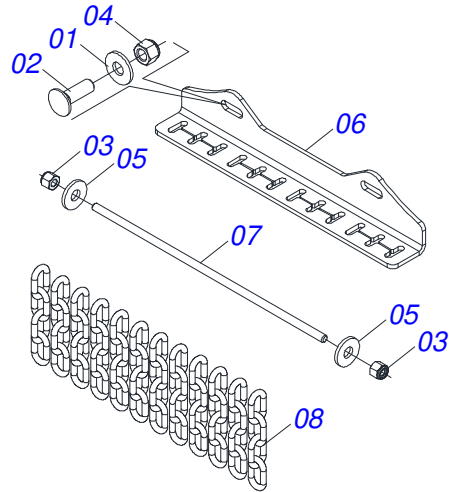
Item	Code	Description	See page	QT
01	0511017302	FLAT WASHER 13,50 X 32,50 X 3,0 ZN		03
02	0503014378	1/2" X 1-1/2" BOLT		03
03	0503013759	NUT		02
04	0503010589	1/2" UNC SELF ADJUSTING NUT		03
05	0501010984	10,50 X 27 X 3,00 FLAT WASHER		02
06	0501210988	BODY PROTECTION REAR CHAIN ??SIDE FRAME		01
07	0581013927	ROD CURRENT PROTECTION (910)		01
08	0511011774	8,00 CHAIN 4 LINK		25



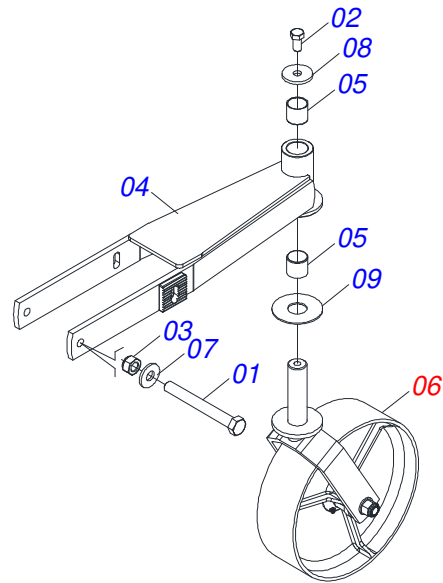
Item	Code	Description	See page	QT
01	0511017302	FLAT WASHER 13,50 X 32,50 X 3,0 ZN		03
02	0503014378	1/2" X 1-1/2" BOLT		03
03	0503013759	NUT		02
04	0503010589	1/2" UNC SELF ADJUSTING NUT		03
05	0501010984	10,50 X 27 X 3,00 FLAT WASHER		02
06	0501211005	CHAIN FRONT PROTECTION BODY		01
07	0591014181	CURRENT PROTECTION BAR		01
08	0511011774	8,00 CHAIN 4 LINK		21



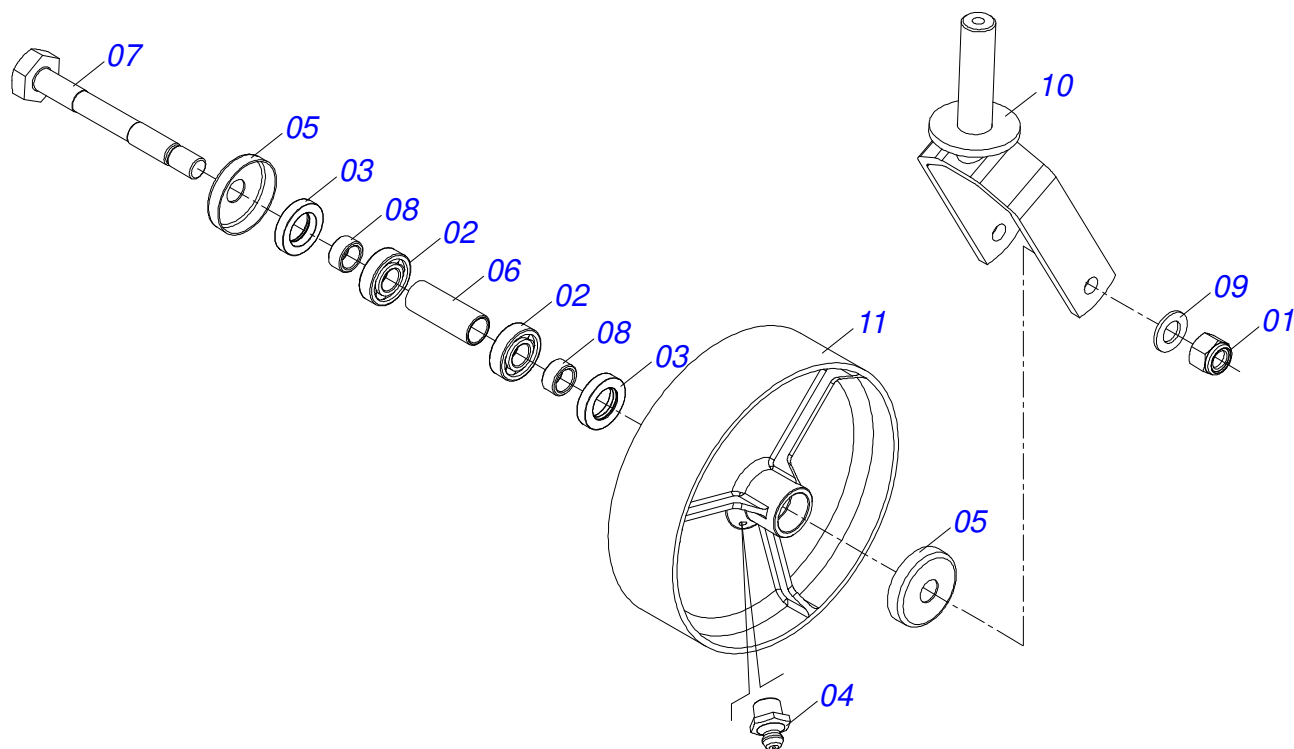
Item	Code	Description	See page	QT
01	0511017302	FLAT WASHER 13,50 X 32,50 X 3,0 ZN		03
02	0503014378	1/2" X 1-1/2" BOLT		03
03	0503013759	NUT		02
04	0503010589	1/2" UNC SELF ADJUSTING NUT		03
05	0501010984	10,50 X 27 X 3,00 FLAT WASHER		02
06	0501210989	BODY PROTECTION FRONT CHAIN ??SIDE FRAME		01
07	0511011774	8,00 CHAIN 4 LINK		25
08	0581013927	ROD CURRENT PROTECTION (910)		01



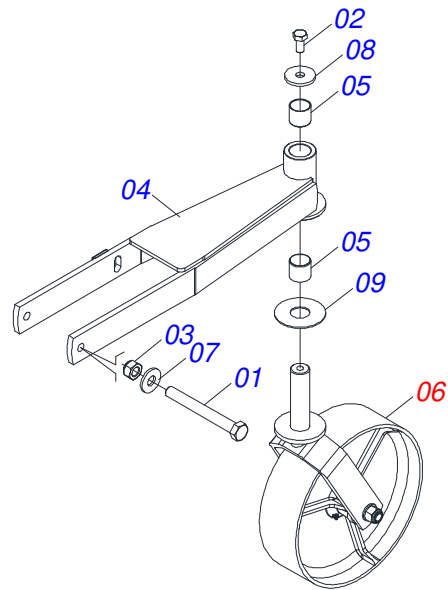
Item	Code	Description	See page	QT
01	0511017302	FLAT WASHER 13,50 X 32,50 X 3,0 ZN		02
02	0503014378	1/2" X 1-1/2" BOLT		02
03	0503013759	NUT		02
04	0503010589	1/2" UNC SELF ADJUSTING NUT		02
05	0501010984	10,50 X 27 X 3,00 FLAT WASHER		02
06	0501211006	BODY CENTRAL CHAIN PROTECTION		01
07	0501211007	CENTRAL CURRENT PROTECTION ROD		01
08	0511011774	8,00 CHAIN 4 LINK		12



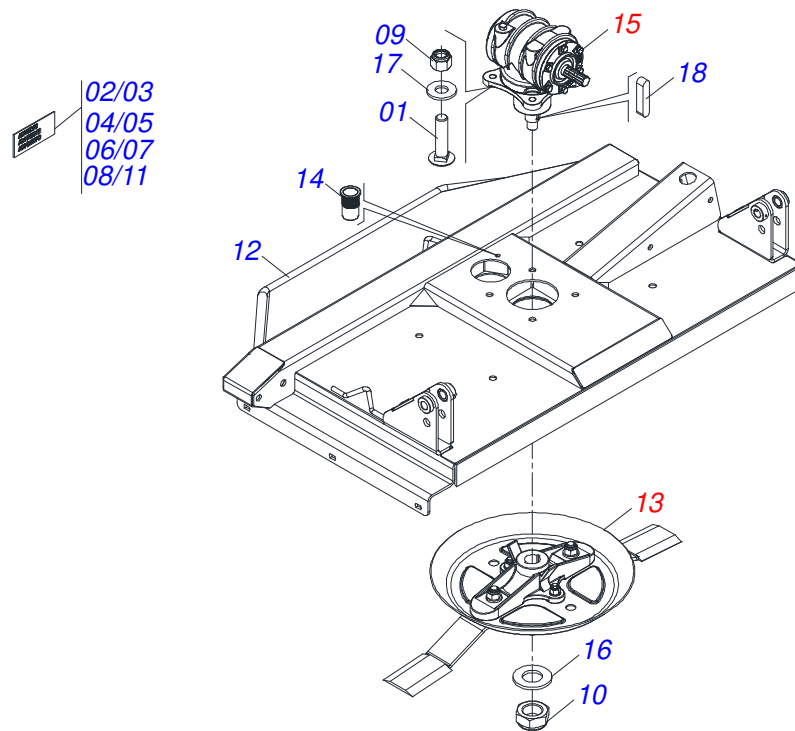
Item	Code	Description	See page	QT
01	0503012410	5/8" X 7.1/2" BOLT		01
02	0503010962	5/8" X 1-1/4" BOLT		01
03	0503013389	5/8" SELF LOCKING NUT		01
04	0531060691	RIGHT SUPPORT CARRYING WHEELS		01
05	0503035215	SELF LUBRICATING BUSHING		02
06	0501058460	CARRYING WHEELS	18	01
07	0501012140	FLAT WASHER 16,50 X 40 X 4,00 ZN		01
08	0511010721	FLAT WASHER		01
09	0511013239	FLAT WASHER		01
10	1882970002	GREASE		01Kg



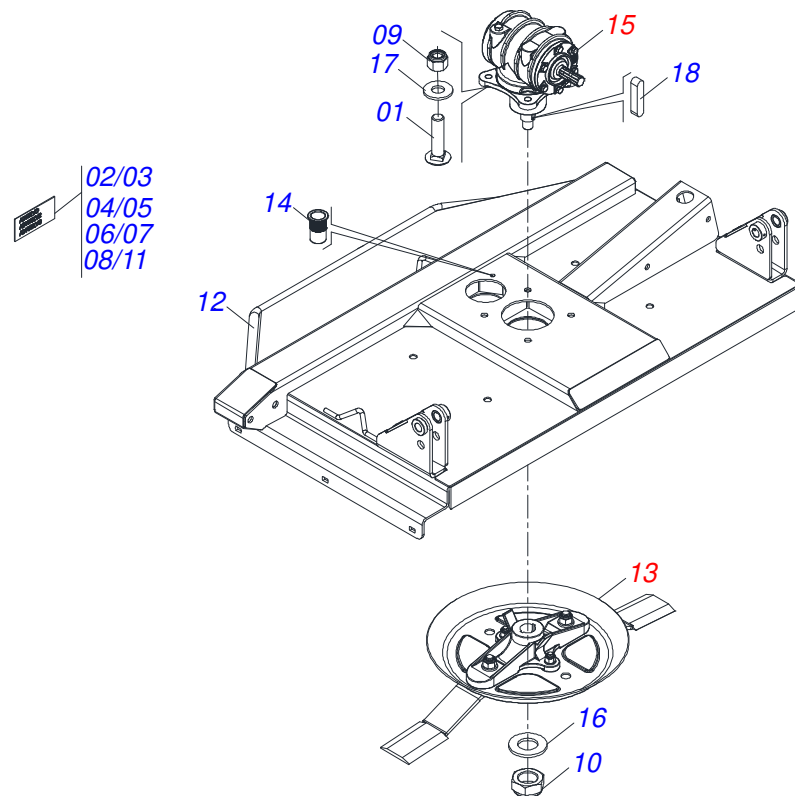
Item	Code	Description	See page	QT
01	0503011075	3/4 UNC LOCK NUT		01
02	0503010269	6204 BALL BEARING		02
03	0503010268	00262-B SEAL		02
04	0503010002	1800 GREASE FITTING		01
05	0511014254	DUST CLOAK		02
06	0521010460	0.9" X 1.1" X 2.9" SLEEVE		01
07	0501017143	WHEEL AXLE		01
08	0521010487	SPACER WASHER		02
09	0501010941	FLAT WASHER		01
10	0501065266	WHELL FORK		01
11	0502012519	350 X 100 WHEEL		01



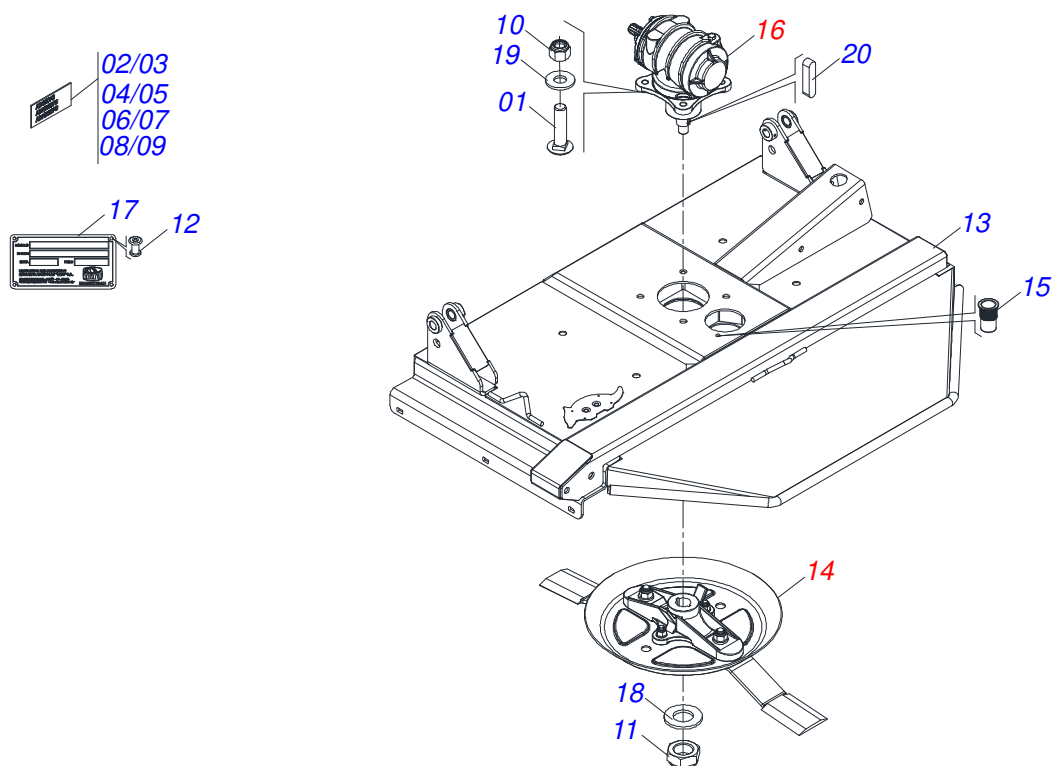
Item	Code	Description	See page	QT
01	0503012410	5/8" X 7.1/2" BOLT		01
02	0503010962	5/8" X 1-1/4" BOLT		01
03	0503013389	5/8" SELF LOCKING NUT		01
04	0531060692	LEFT SUPPORT CARRYING WHEELS		01
05	0503035215	SELF LUBRICATING BUSHING		02
06	0501058460	CARRYING WHEELS	18	01
07	0501012140	FLAT WASHER 16,50 X 40 X 4,00 ZN		01
08	0511010721	FLAT WASHER		01
09	0511013239	FLAT WASHER		01
10	1882970002	GREASE		01Kg



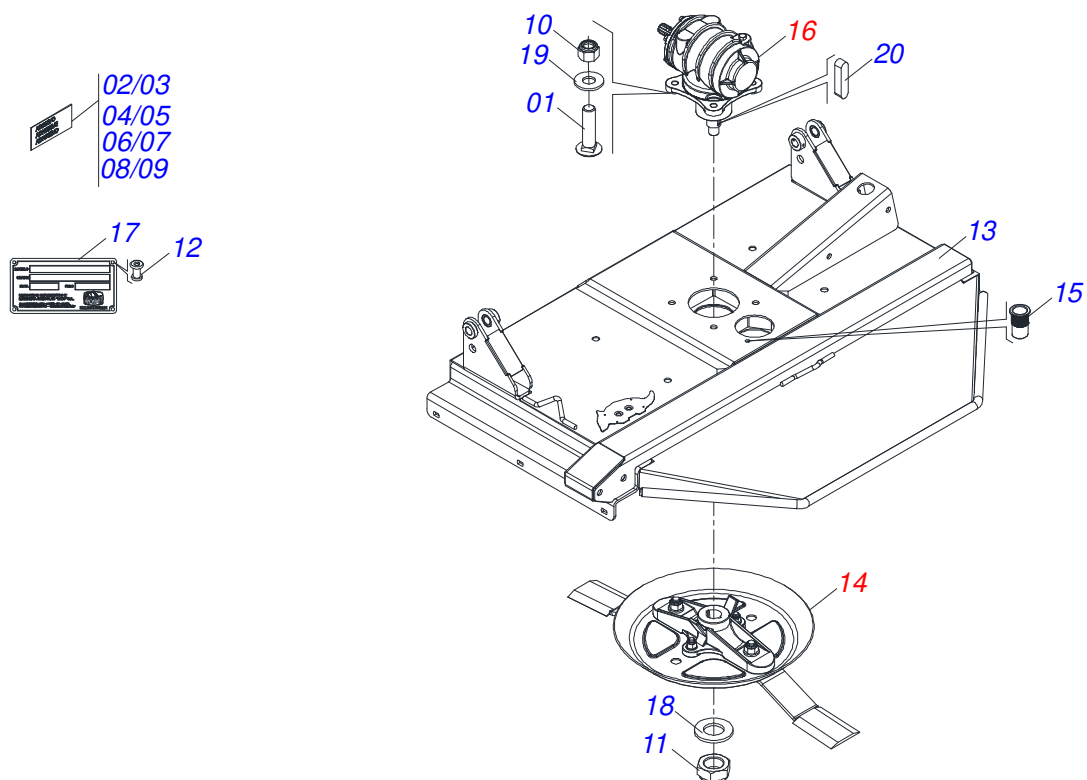
Item	Code	Description	See page	QT
01	0503017867	SCREW 3/4 UNC X 4.1/2 CAPQ G.7 ZN		04
02	0503034078	LIFTING POINTS DECAL		03
03	0503032534	IMPORTANT FRICTION ADJUSTMENT DECAL		01
04	0503031932	90 OIL RETIGHTEN LUBRICATION DECAL		01
05	0503031929	SPECIAL BLADES EQUIPMENT DECAL		01
06	0503031428	READ MANUAL DECAL		01
07	0503031427	ATTENTION POWER SPOT DECAL		01
08	0503031127	RESPIRO DECAL		01
09	0503011075	3/4 UNC LOCK NUT		04
10	0503010044	SELF LOCKING NUT 1.1/4 UNF G.5 ZN		01
11	0503035684	RC2E 2300 R LOGO DECAL		01
12	0531060707	RIGHT SIDE FRAME		01
13	0531053082	CUTTERS SUPPORT	25	01
14	0503019413	THREAD SCREW INTERNAL		01
15	0501046948	MULTIPLIER	26	01
16	0501017779	FLAT WASHER 32 X 60 X 4,75		01
17	0501010322	20,50 X 46 X 4,00 ZN FLAT WASHER		04
18	0501010536	KEYWAY SQUARE		02



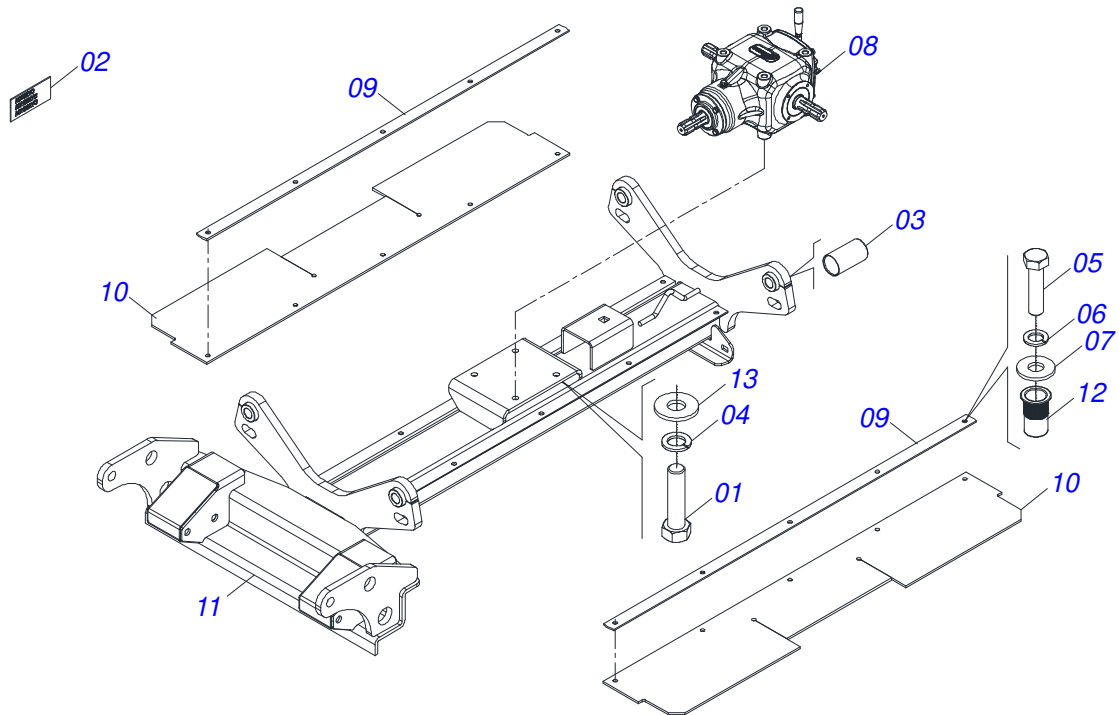
Item	Code	Description	See page	QT
01	0503017867	SCREW 3/4 UNC X 4.1/2 CAPQ G.7 ZN		04
02	0503034078	LIFTING POINTS DECAL		03
03	0503032534	IMPORTANT FRICTION ADJUSTMENT DECAL		01
04	0503031932	90 OIL RETIGHTEN LUBRICATION DECAL		01
05	0503031929	SPECIAL BLADES EQUIPMENT DECAL		01
06	0503031428	READ MANUAL DECAL		01
07	0503031427	ATTENTION POWER SPOT DECAL		01
08	0503031127	RESPIRO DECAL		01
09	0503011075	3/4 UNC LOCK NUT		04
10	0503010044	SELF LOCKING NUT 1.1/4 UNF G.5 ZN		01
11	0503035683	RC2E 2600 R LOGO DECAL		01
12	0531060675	RIGHT SIDE FRAME		01
13	0531053075	CUTTERS SUPPORT	27	01
14	0503019413	THREAD SCREW INTERNAL		01
15	0501046948	MULTIPLIER	26	01
16	0501017779	FLAT WASHER 32 X 60 X 4,75		01
17	0501010322	20,50 X 46 X 4,00 ZN FLAT WASHER		04
18	0501010536	KEYWAY SQUARE		02



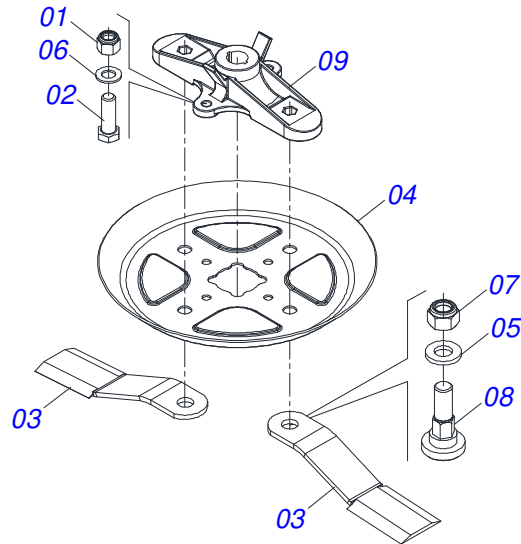
Item	Code	Description	See page	QT
01	0503017867	SCREW 3/4 UNC X 4.1/2 CAPQ G.7 ZN		04
02	0503034333	TATU MARCHESAN LOGO DECAL		01
03	0503034078	LIFTING POINTS DECAL		03
04	0503032949	ATTENTION 3 LANGUAGES DECAL		01
05	0503032535	SIDE CARDAN DECAL		01
06	0503032534	IMPORTANT FRICTION ADJUSTMENT DECAL		01
07	0503032060	50 METERS DISTANCE DANGER DECAL		01
08	0503031930	DANGER ROTATING BLADES DECAL		01
09	0503031127	RESPIRO DECAL		01
10	0503011075	3/4 UNC LOCK NUT		04
11	0503010044	SELF LOCKING NUT 1.1/4 UNF G.5 ZN		01
12	0503010001	RIVET 3,2 X 5,5		04
13	0531060693	LEFT SIDE FRAME		01
14	0531053082	CUTTERS SUPPORT	25	01
15	0503019413	THREAD SCREW INTERNAL		01
16	0501046948	MULTIPLIER	26	01
17	0503034003	61 X 118 SERIAL NUMBER TAG		01
18	0501017779	FLAT WASHER 32 X 60 X 4,75		01
19	0501010322	20,50 X 46 X 4,00 ZN FLAT WASHER		04
20	0501010536	KEYWAY SQUARE		02



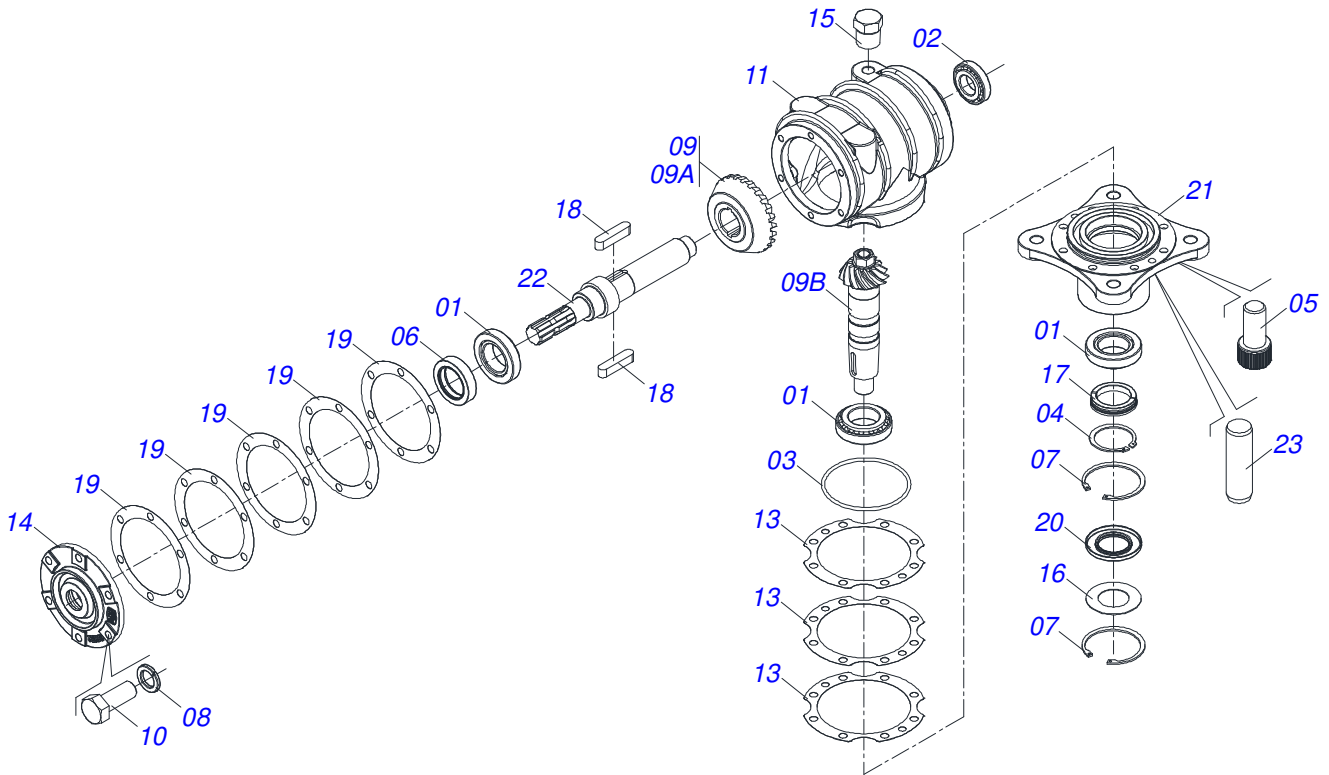
Item	Code	Description	See page	QT
01	0503017867	SCREW 3/4 UNC X 4.1/2 CAPQ G.7 ZN		04
02	0503034333	TATU MARCHESAN LOGO DECAL		01
03	0503034078	LIFTING POINTS DECAL		03
04	0503032949	ATTENTION 3 LANGUAGES DECAL		01
05	0503032535	SIDE CARDAN DECAL		01
06	0503032534	IMPORTANT FRICTION ADJUSTMENT DECAL		01
07	0503032060	50 METERS DISTANCE DANGER DECAL		01
08	0503031930	DANGER ROTATING BLADES DECAL		01
09	0503031127	RESPIRO DECAL		01
10	0503011075	3/4 UNC LOCK NUT		04
11	0503010044	SELF LOCKING NUT 1.1/4 UNF G.5 ZN		01
12	0503010001	RIVET 3,2 X 5,5		04
13	0531060677	LEFT SIDE FRAME		01
14	0531053075	CUTTERS SUPPORT	27	01
15	0503019413	THREAD SCREW INTERNAL		01
16	0501046948	MULTIPLIER	26	01
17	0503034003	61 X 118 SERIAL NUMBER TAG		01
18	0501017779	FLAT WASHER 32 X 60 X 4,75		01
19	0501010322	20,50 X 46 X 4,00 ZN FLAT WASHER		04
20	0501010536	KEYWAY SQUARE		02



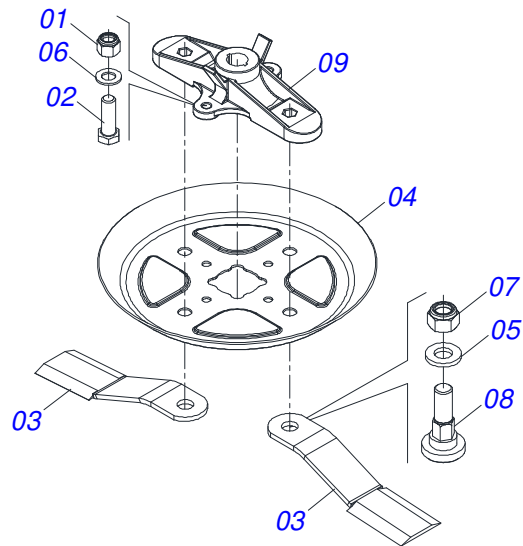
Item	Code	Description	See page	QT
01	0503011188	M16 X 2 X 50 BOLT		04
02	0503034078	LIFTING POINTS DECAL		03
03	0503019275	SLEEVE LUBRICATION SYSTEM		04
04	0503011445	SPRING WASHER		04
05	0503010751	C3/8" X 1.1/4" HEX BOLT G.5		10
06	0503010025	3/8 SPRING WASHER		10
07	0501010984	10,50 X 27 X 3,00 FLAT WASHER		10
08	0503063554	TRANSMISSION BOX DISTRIBUTOR		01
09	0501211014	CENTRAL PROTECTION CANVAS FIXING SCALE		02
10	0503035616	CENTRAL PROTECTION RUBBER BLANKET		02
11	0531060720	CENTRAL FRAME		01
12	0503019413	THREAD SCREW INTERNAL		02
13	0501011299	FLAT WASHER		04



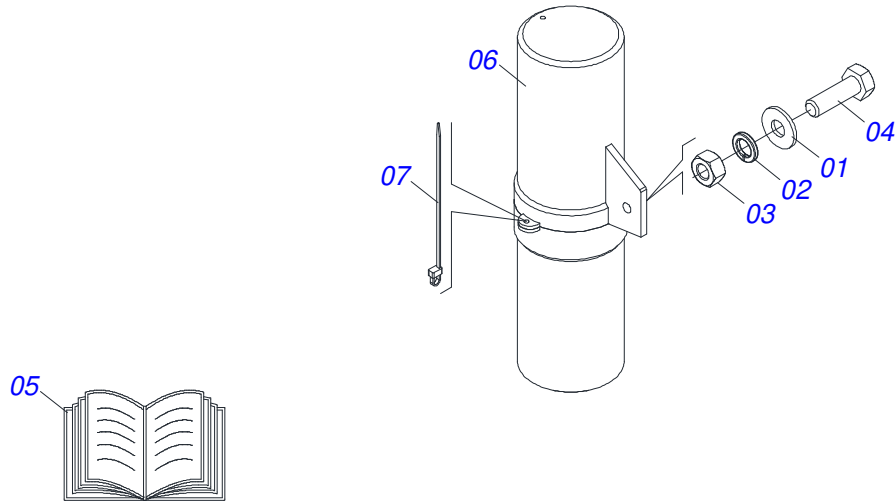
Item	Code	Description	See page	QT
01	0503011075	3/4 UNC LOCK NUT		02
02	0501018059	3/4" X 2-1/4" BOLT		02
03	0622400045	BRUSHCUTTER		02
04	0591010130	SUPPORT DEFLECTOR (340)		01
05	0501016545	FLAT WASHER		02
06	0501010941	FLAT WASHER		02
07	0503010063	1" SELF-ALIGNING NUT		02
08	0541013328	FASTENER		02
09	0502012275	ROTARY SUPPORT 340		01



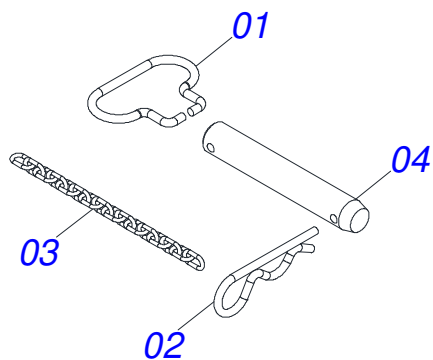
Item	Code	Description	See page	QT
01	0503010006	32210 ROLLER BEARING		03
02	0503010037	30207 ROLLER BEARING		01
03	0503010286	2-355 N 3006-9B O'RING		01
04	0503010396	501060 CLAMPING RING (FOR AXLE)		01
05	0503010562	1/2" X 1" BOLT		08
06	0503011171	00912-BRG SEAL		01
07	0503011190	SEAL RING		02
08	0503011440	SPRING WASHER		06
09	0503060211	CROWN PINION SET		01
09A	0503050069	25Z CONICAL GEAR		01
09B	0503061048	PINION		01
10	0503010395	1/2" X 1-1/4" BOLT		06
11	0502010984	LEFT MULTIPLIER BOX		01
12	3402301247	MINERAL OIL SAE 140		2,5Lts
13	0503030785	7.9" X 5.9" X 0.008" JOINT		03
14	0502011152	SMALLER COVER		01
15	0503031604	1/2" BSP PLUG		01
16	0521018064	FLAT WASHER		01
17	0511010142	LOCK RING		01
18	0501010536	KEYWAY SQUARE		02
19	0503030783	7.1" X 5.3" X 0.008" JOINT		05
20	0503011047	5089 SEAL		01
21	0502011393	LOWER HUB		01
22	0503050067	UPPER AXLE		01
23	0503017877	PIN GUIDE		02



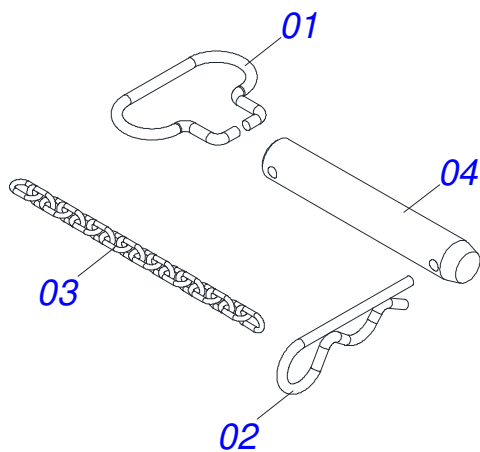
Item	Code	Description	See page	QT
01	0503011075	3/4 UNC LOCK NUT		02
02	0501018059	3/4" X 2-1/4" BOLT		02
03	0622400044	BRUSHCUTTER		02
04	0591010130	SUPPORT DEFLECTOR (340)		01
05	0501016545	FLAT WASHER		02
06	0501010941	FLAT WASHER		02
07	0503010063	1" SELF-ALIGNING NUT		02
08	0541013328	FASTENER		02
09	0502012275	ROTARY SUPPORT 340		01



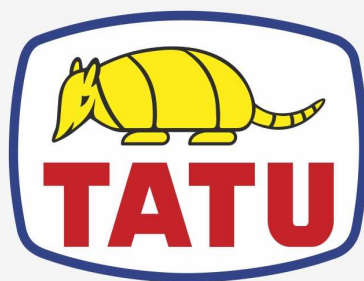
Item	Code	Description	See page	QT
01	0501010694	FLAT WASHER 32,50 X 75 X 4,75		01
02	0503010179	LOCK WASHER 5/16 ZN 1K01528		01
03	0503010337	NUT 5/16 UNC G.5 ZN		01
04	0503010363	BOLT 5/16 UNC X 1 C S G.2 ZN		01
05	0511034261	PLASTIC COVER WITH INSTRUCTIONS MANUAL		01
06	0503060100	SUPPORT INSTRUCTION MANUAL		01
07	0503010267	NYLON CLAMP 3,60 X 1,3 X 155 MM		01



Item	Code	Description	See page	QT
01	0503034755	HANDLE PIN HITCH		01
02	0503031035	HITCH PIN CLIP		01
03	0503034756	3,00 X 16 CHAIN		01
04	0581018636	AXIS 27,80 X 155 X EC 130 FR 7,14		01



Item	Code	Description	See page	QT
01	0503034755	HANDLE PIN HITCH		01
02	0503031035	HITCH PIN CLIP		01
03	0503034756	3,00 X 16 CHAIN		01
04	0581018637	AXIS 25 X 155 X EC 130 FR 7,14		01



MARCHESAN

Technical Publications | Elaboration and Revision

LORENA ROCHA ALVES

www.marchesan.com.br

