

**OFFSET DISK HARROW**

**GAPCR 360 – 12/14/16/18/20/22/24D**

**Code:** 0501093203  
**Series:** S-0611  
**Revision:** 00  
**Date Revision:** FEVEREIRO/2023

# **PARTS CATALOGUE**



**MARCHESAN**



# PRODUCTS

Code	Description
0102060169	GAPCR 360 12X32X9,0 (11L15) S-0611
0102060173	GAPCR 360 12X32X9,0 (400/60) S-0611
0102060170	GAPCR 360 12X34X9,0 (11L15) S-0611
0102060174	GAPCR 360 12X34X9,0 (400/60) S-0611
0102060171	GAPCR 360 14X32X9,0 (11L15) S-0611
0102060175	GAPCR 360 14X32X9,0 (400/60) S-0611
0102060156	GAPCR 360 14X34X9,0 (11L15) S-0611
0102060147	GAPCR 360 14X34X9,0 (400/60) S-0611
0102060160	GAPCR 360 16 X32X9,0 (11L15) S-0611
0102060176	GAPCR 360 16X32X9,0 (400/60) S-0611
0102060157	GAPCR 360 16X34X9,0 (11L15) S-0611
0102060148	GAPCR 360 16X34X9,0 (400/60) S-0611
0102060172	GAPCR 360 18X32X9,0 (11L15) S-0611
0102060177	GAPCR 360 18X32X9,0 (400/60) S-0611
0102060158	GAPCR 360 18X34X9,0 (11L15) S-0611
0102060149	GAPCR 360 18X34X9,0 (400/60) S-0611
0102060178	GAPCR 360 20X32X9,0 (400/60) S-0611
0102060151	GAPCR 360 20X34X9,0 (400/60) S-0611
0102060179	GAPCR 360 22X32X9,0 (400/60) S-0611
0102060153	GAPCR 360 22X34X9,0 (400/60) S-0611
0102060180	GAPCR 360 24X32X9,0 (400/60) S-0611
0102060152	GAPCR 360 24X34X9,0(400/60) S-0611

## ATTENTION: IMPORTANT

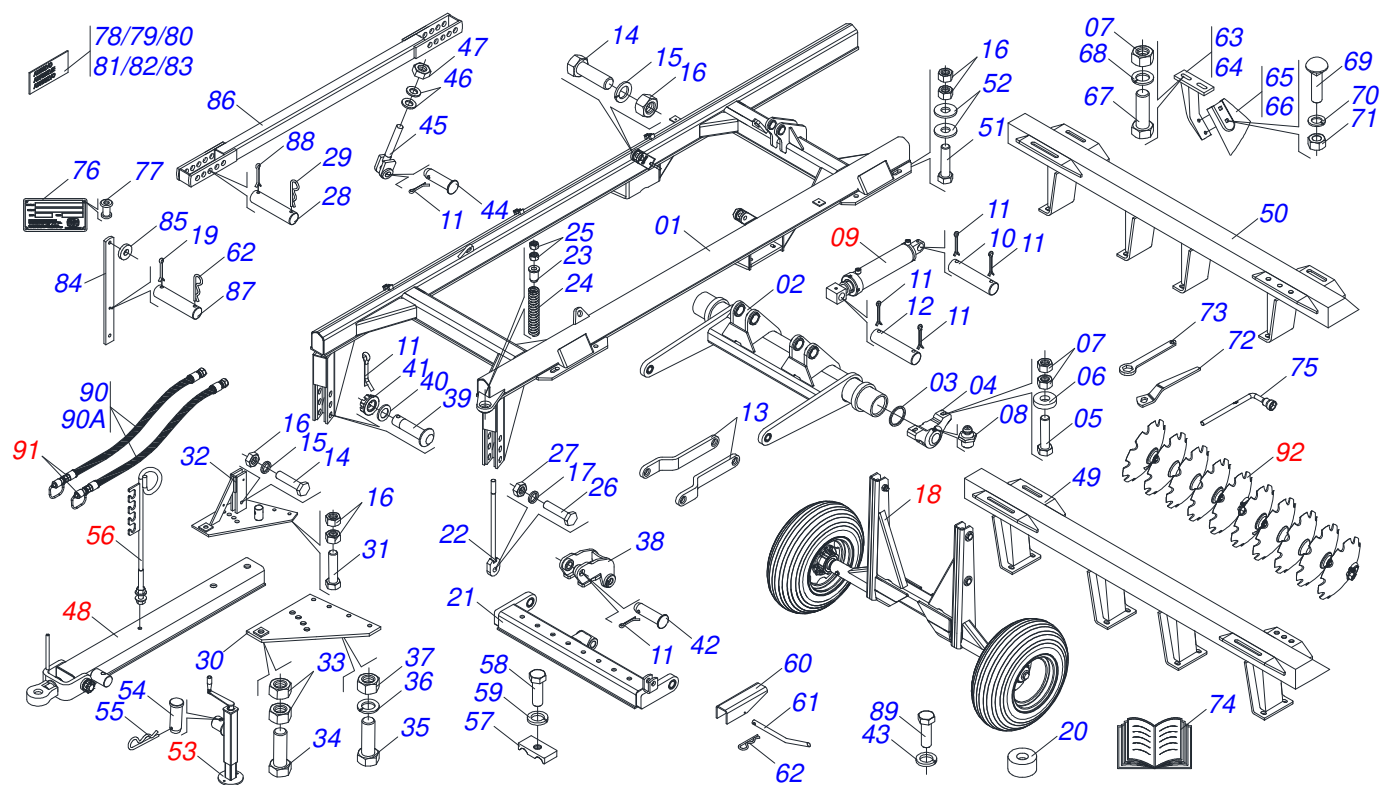
Marchesan S.A. reserves the right to improve and/or modify the technical features of its products, without obligation to do the same with those products already sold and without prior knowledge of the dealer or the customer. The photos are only illustrative.



**MARCHESAN**

# INDEX

0909094741	ASSY FRAME - 12/14/16/18D	.....	1
0531041388	53,98 X 101,6 X 630 X 300 HYDRAULIC CYLINDER	.....	2
0909094744	WHEEL ASSY	.....	3
0501054685	WHEELS HUB ASSY	.....	4
0503061864	WHEEL SET	.....	5
0909094745	ASSEMBLY CARRYING-WHEELS	.....	6
0501055850	CARRYNG WHEEL HUB ASSEMBLY ASSY	.....	7
0503061868	400/60 WHEEL WITH TIRE	.....	8
0511050170	HARNES ASSY	.....	9
0511048088	DRAWBAR JACK	.....	10
0501040257	3/4 X 1200 HOSE HOLDER A	.....	11
0501053834	MALE QUICK COUPLER	.....	12
0909094734	ASSY DISK SECTION - 12/14/16/18/20/22/24/28D	.....	13
0501048557	BEARING OIL	.....	14
0909094742	ASSY FRAME - 20/22/24D	.....	15
0531041451	HYDR. CYLINDER 53,98X101,6X728X400 - (FROM 09/2021)	.....	16
0501048626	HYDRAULIC CYLINDER 53,98X101,6X730X400 - (UNTIL 08/2021)	.....	17
0511050283	AXLE ASSY	.....	18
0501053212	HOSE SET	.....	19



Item	Code	Description	See page	12	14	16	18
01	0521064430	FRAME		01	01	01	01
02	0511068627	WHEEL AXLE		02	02	02	02
03	0503012223	FELT RING		02	02	02	02
04	0502011583	BEARING AXLE		02	02	02	02
05	0503810797	BOLT		04	04	04	04
06	0521013710	WASHER SEMIMAN		04	04	04	04
07	0503012183	SNC 3/4" ZIN 1K03097 NUT		32	36	40	44
08	0503010002	1800 GREASE FITTING		02	02	02	02
09	0531041388	53,98 X 101,6 X 630 X 300 HYDRAULIC CYLINDER	2	01	01	01	01
10	0591019956	44,45 X 168 HEADLESS PIN		01	01	01	01
11	0503010010	1/4" X 2.1/2" COTTERPIN		06	06	06	06
12	0521013706	HEADLESS PIN		01	01	01	01
13	0511063681	ARM		02	02	02	02
14	0503011432	BOLT		03	03	03	03
15	0503010012	1" SPRING WASHER		03	03	03	03
16	0503012182	1" NUT		11	11	11	11
17	0503010023	3/4" SPRING WASHER		01	01	01	01
18	0909094744	WHEEL ASSY	3	01	01	01	01
18.	0909094745	ASSEMBLY CARRYING-WHEELS	6	01	01	01	01
19	0503010362	1/8 X 1.1/4 COTTERPIN		01	01	01	01
20	0503013171	SEALING		01	01	01	01
21	0511060115	DRAWBAR		01	01	01	01
22	0501066240	SPRING ROD		01	01	01	01
23	0502020392	SPRING SUPPORT		01	01	01	01
24	0503031341	2.7 X 8 X 0.5 COMPRESSION SPRING		01	01	01	01
25	0501010059	1.5/8 NUT		02	02	02	02
26	0501810125	SCREW 3/4 UNC X 2.1/2 C S G.5		01	01	01	01
27	0503812183	NUT		01	01	01	01
28	0521013703	PIN FREE HEAR		02	02	02	02
29	0503031470	TM 251 X 4,0 STAPLE		02	02	02	02
30	0511060125	BOTTOM PLATE HITCH		01	01	01	01



## ASSY FRAME - 12/14/16/18D

0909094741

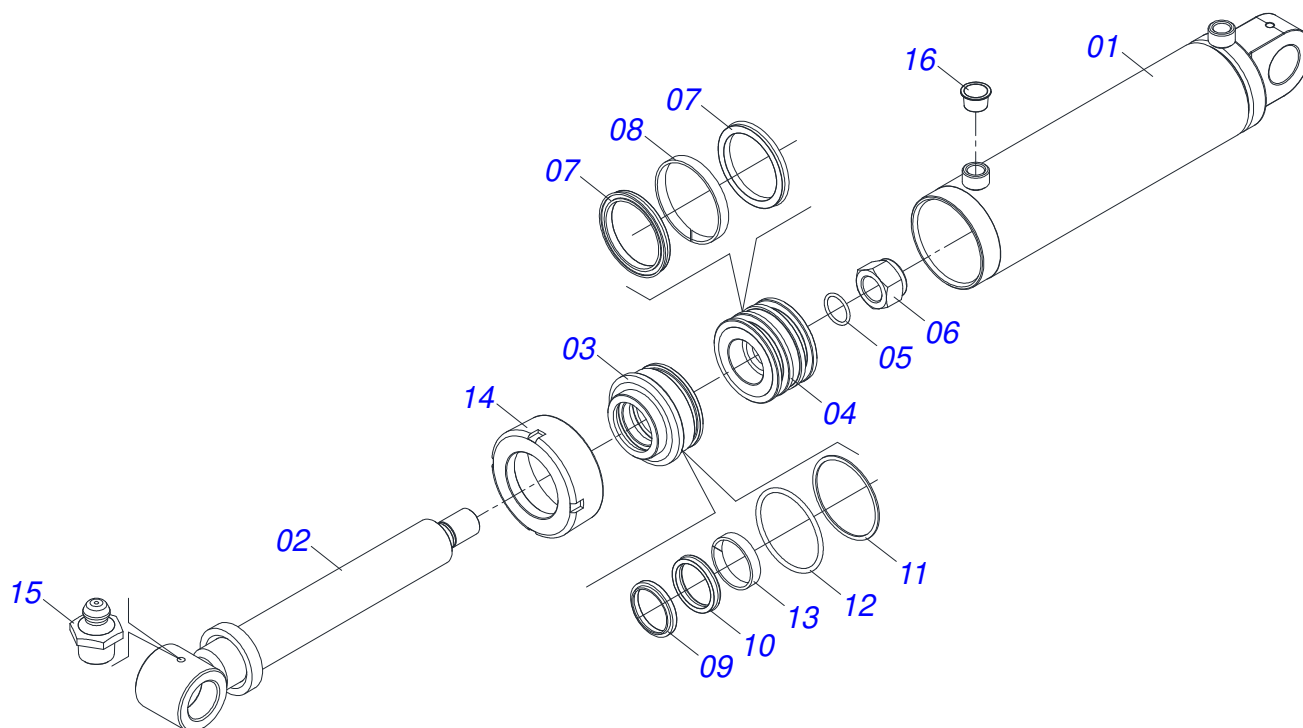
Item	Code	Description	See page	12	14	16	18
31	0501010219	1" X 7-1/2" BOLT		04	04	04	04
32	0511060125	BOTTOM PLATE HITCH		01	01	01	01
33	0503012181	1.1/4" NUT		02	02	02	02
34	0503012192	1-1/4" X 8 BOLT		01	01	01	01
35	0501814174	BOLT		01	01	01	01
36	0503010070	SPRING WASHER		01	01	01	01
37	0503012181	1.1/4" NUT		01	01	01	01
38	0521062108	HEADING ARTICULATION		01	01	01	01
39	0501816416	BOLT		02	02	02	02
40	0551812215	FLAT WASHER 38,50 X 70 X 6,30 SA		02	02	02	02
41	0501811301	CASTLE NUT		02	02	02	02
42	0551015334	PIN		01	01	01	01
43	0503011442	3/4" SPRING WASHER		03	03	03	03
44	0551015331	PIN		01	01	01	01
45	0511060124	ASSEMBLY TIME		01	01	01	01
46	0521014368	FLAT WASHER		02	02	02	02
47	0501010333	1.3/4" NUT		00	00	00	01
48	0511050170	HARNESS ASSY	9	01	01	01	01
49	0511060517	FRONT GANG CARRIER ASSY - 12		01	00	00	00
49.	0511060133	FRONT GANG CARRIER ASSY - 14		00	01	00	00
49..	0511060347	FRONT GANG CARRIER ASSY - 16		00	00	01	00
49...	0511062341	FRONT GANG CARRIER ASSY - 18		00	00	00	01
50	0511060518	REAR GANG CARRIER ASSY - 12		01	00	00	00
50.	0511060134	REAR GANG CARRIER ASSY - 14		00	01	00	00
50..	0511060348	REAR GANG CARRIER ASSY - 16		00	00	01	00
50...	0511062342	REAR GANG CARRIER ASSY - 18		00	00	00	01
51	0503011432	BOLT		08	08	08	08
52	0521015523	BOOST		16	16	16	16
53	0511048088	DRAWBAR JACK	10	01	01	01	01
54	0561014251	COUPLING SHAFT		01	01	01	01
55	0503030012	HITCH PIN CLIP		01	01	01	01
56	0501040257	3/4 X 1200 HOSE HOLDER A	11	01	01	01	01
57	0502012702	BODY SUPPORT CLAMP		03	03	03	03
58	0503012555	SCREW 7/16 UNC X 2 CS RT G.7 ZN		03	03	03	03
59	0503010180	7/16" SPRING WASHER		03	03	03	03
60	0591019957	TRANSPORT LOCK		01	01	01	01
61	0541016844	FIXER LOCK		01	01	01	01
62	0503031464	TM 211 X 3,0 STAPLE		02	02	02	02
63	0511060138	FRONT CLEANER SUPPORT		06	07	08	09
64	0511060139	REAR CLEANER SUPPORT		06	07	08	09
65	0521013678	FRONT CLEANER		06	07	08	09
66	0521013679	REAR CLEANER		06	07	08	09
67	0503012180	FRENCH 3/4" X 2 BOLT		24	28	32	36
68	0503010023	3/4" SPRING WASHER		24	28	32	36
69	0503012195	5/8" NUT		24	28	32	36
70	0503010027	5/8 SPRING WASHER		24	28	32	36
71	0503010013	5/8 NUT		24	28	32	36
72	0501011431	1-3/4" GANG BOLT WRENCH		02	02	02	02
73	0531013656	WRENCH		01	01	01	01
74	0511030134	BAG WITH INSTRUCTION MANUAL		01	01	01	01
75	0503018438	1" WRENCH CYLINDRICAL HEX		01	01	01	01
76	0503034003	SERIAL NUMBER TAG 61 X 118		01	01	01	01
77	0503010001	3.2 X 5.5 RIVET		04	04	04	04
78	0503031428	READ MANUAL DECAL		01	01	01	01
79	0503031738	ADHESIVE LABEL		01	01	01	01
80	0503033038	DANGER SIGN		02	02	02	02
81	0503031087	ADHESIVE LABEL		01	01	01	01
82	0503031739	ADHESIVE LABEL		01	01	01	01
83	0503061972	GAPCR 360 DECAL SET		01	01	01	01



ASSY FRAME - 12/14/16/18D

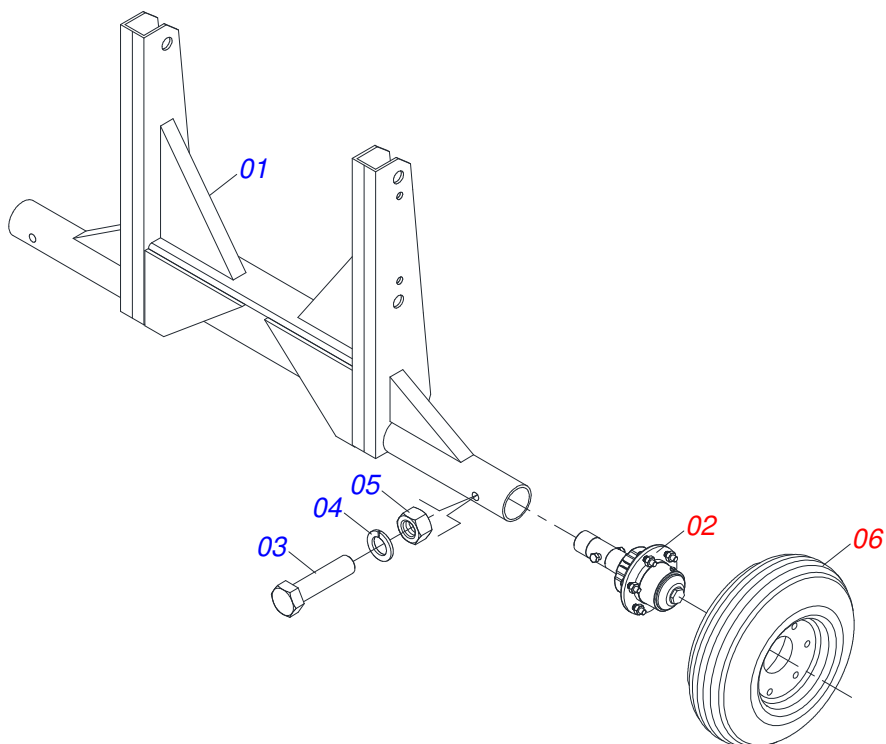
0909094741

Item	Code	Description	See page	12	14	16	18
83.	0503060788	SET OF ADHESIVE STICKERS		01	01	01	01
84	0521013673	TOWER		01	01	01	01
85	0521015518	BOOST		04	04	04	04
86	0511060127	BEAM STABILIZER		01	01	01	01
87	0521013812	PIN FREE HEAD		01	01	01	01
88	0503010038	3/16 X 2 COTTERPIN		02	02	02	02
89	0503013826	3/4 UNC X 3.3/4 C S G.8 SCREW		08	08	08	08
90	0511050954	HOSE GAME		01	01	01	01
90A	0501080640	3/8 X 7200 TC-TM HOSE		02	02	02	02
91	0501053834	MALE QUICK COUPLER	12	02	02	02	02
92	0909094734	ASSY DISK SECTION - 12/14/16/18/20/22/24/28D	13	01	01	01	01



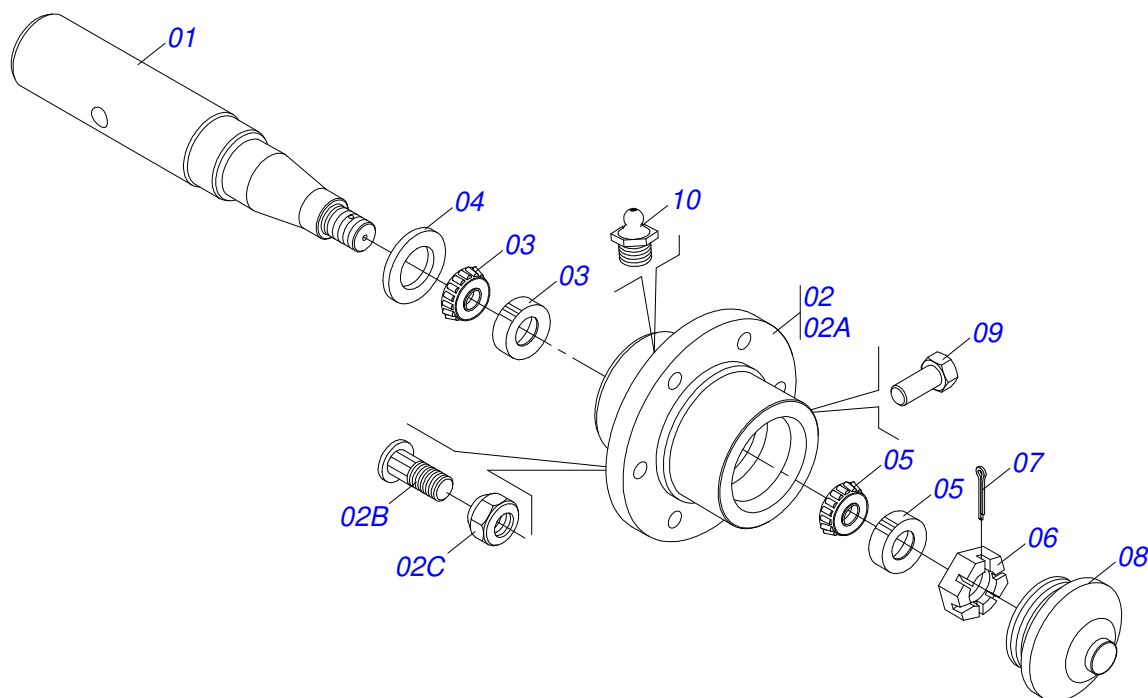
Item	Code	Description	See page	QT
01	0511062252	101,6 X 418 CYLINDER CASE		01
02	0531062977	HYDRAULIC CYLINDER TURNBUCKLE		01
03	0502011250	RING OF SUPPORT		01
04	0502011969	53,98 X 101,60 PISTON		01
05	0503010345	2-218 N 3006-9B O'RING		01
06	0503010817	1.1/4" SELF LOCKING NUT		01
07	0503010043	PACKING 3750-3250		02
08	0503010994	W2-4000-500 PK RING G.E		01
09	0503010319	D-2125 SCRAPER		01
10	0503010314	GASKET		01
11	0503011061	8-342 BACK-UP RING		01
12	0503010338	2-342 N 3006-9B O'RING		01
13	0503010973	W2-2500-500 PK O'RING G.E		01
14	0502010017	4" HEAD		01
15	0503010002	1800 GREASE FITTING		02
16	0503030384	CON PLUG N-001		02

WHEEL ASSY



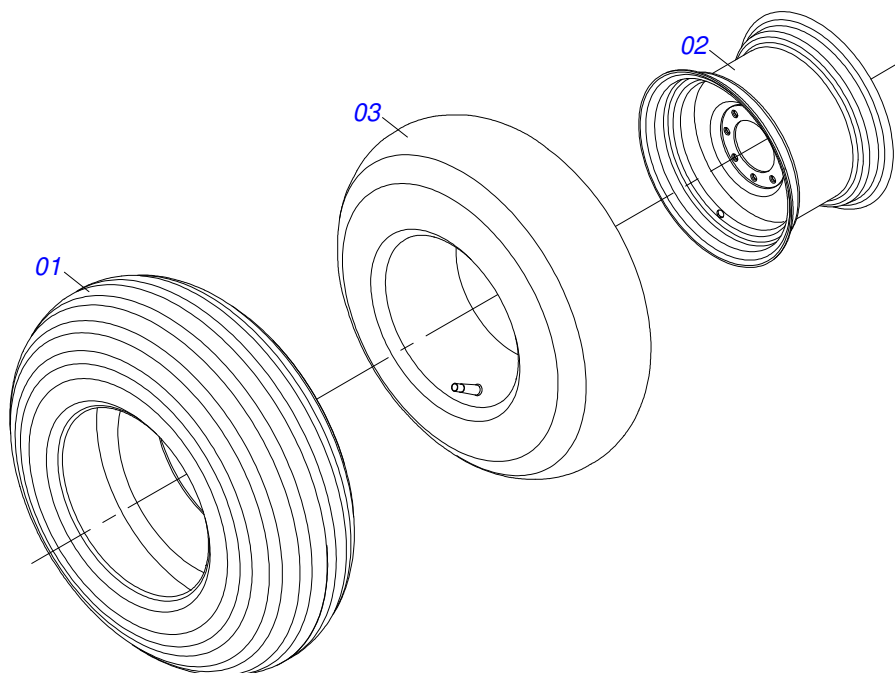
Item	Code	Description	See page	QT
01	0511060141	WHEEL ASSEMBLY		01
02	0501054685	WHEELS HUB ASSY	4	02
03	0501010163	5/8" X 4-1/2" BOLT		02
04	0503010027	5/8 SPRING WASHER		02
05	0503010013	5/8 NUT		02
06	0503061864	WHEEL SET	5	02



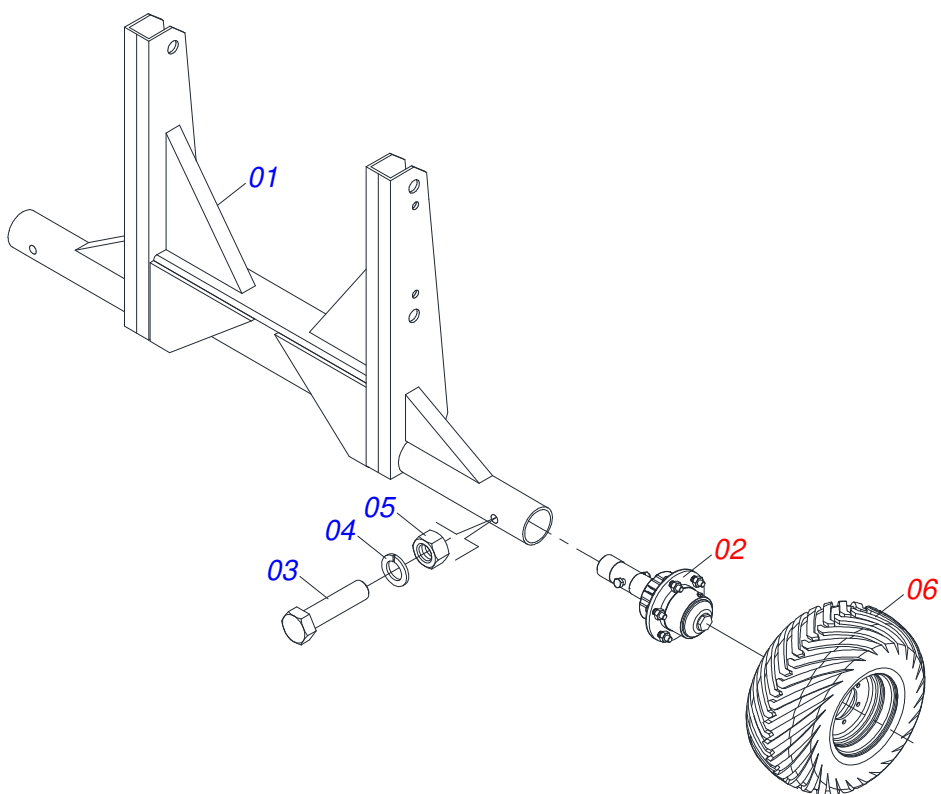


Item	Code	Description	See page	QT
01	0531019478	CR 30M/1 AXLE		01
02	0501110768	HUB CARRYING WHEELS WITH BOLT		01
02A	0502011389	BOX		01
02B	0501010186	WHEEL SCREW 5/8UNF X 2.1/8CR		06
02C	0503010064	5/8 UNF CONIC NUT		06
03	0503010005	32212 ROLLER BEARING		01
04	0503010009	RETAINER 00573-B		01
05	0503010006	32210 ROLLER BEARING		01
06	0501010888	1.3/4" 2.5/16" CASTLE NUT		01
07	0503010010	1/4" X 2.1/2" COTTERPIN		01
08	0502020593	COVER		01
09	0503010295	SCREW 5/16 UNC X 5/8 CS G.2 ZN		01
10	0503010002	1800 GREASE FITTING		01

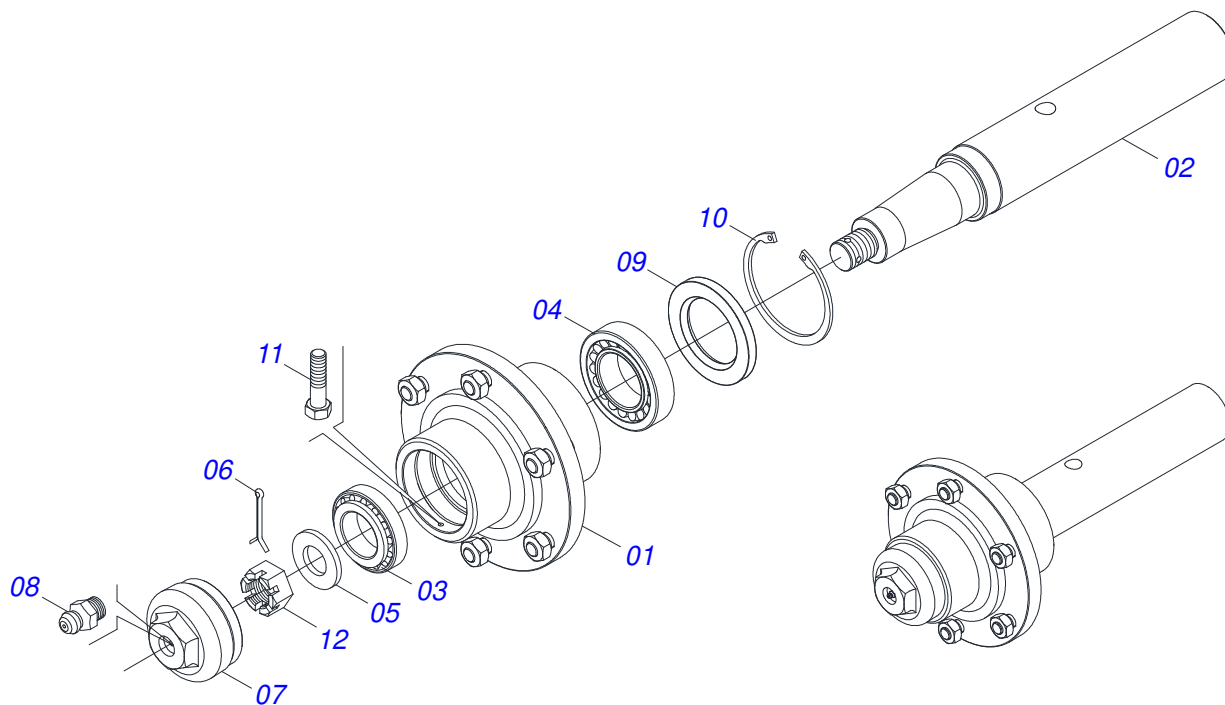
WHEEL SET



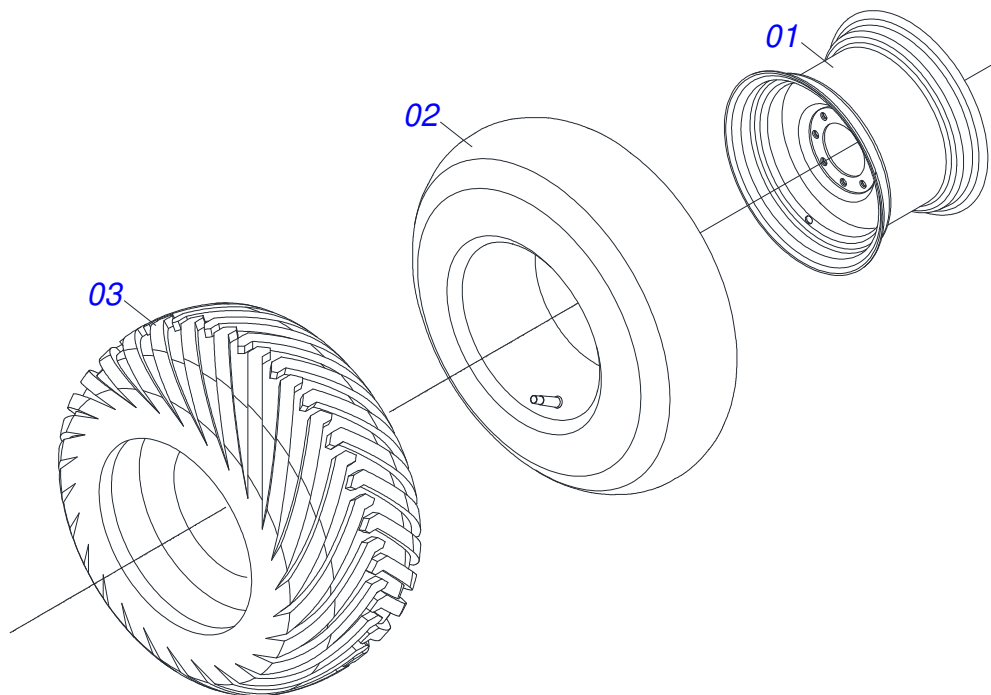
Item	Code	Description	See page	QT
01	0503011469	RIB TIRE BL - 12L		01
02	0511064777	CR 30M/2-L15 WHEEL		01
03	0503010860	AIR CHAMBER 11L 15		01



Item	Code	Description	See page	QT
01	0511068626	ASSEMBLY CARRYING-WHEELS		01
02	0501055850	CARRYNG WHEEL HUB ASSEMBLY ASSY	7	02
03	0503011084	3/4" X 5" BOLT		02
04	0503010023	3/4" SPRING WASHER		02
05	0503010014	3/4" HEX NUT		02
06	0503061868	400/60 WHEEL WITH TIRE	8	02



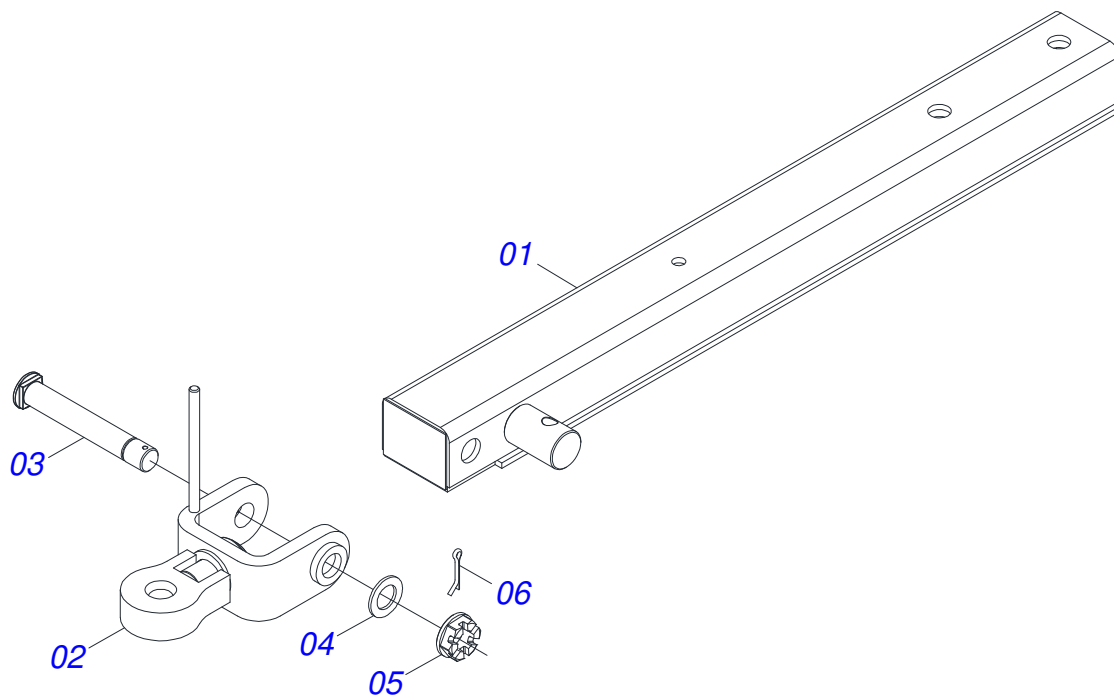
Item	Code	Description	See page	QT
01	0501110766	HUB CARRYING WHEELS WITH BOLT		01
02	0541014720	CR 7076205/1/1 AXLE		01
03	0503010006	32210 ROLLER BEARING		01
04	0503010005	32212 ROLLER BEARING		01
05	0501010086	FLAT WASHER		01
06	0503010067	3/16" X 2.1/2" COTTER PIN		01
07	0502011647	COVER		01
08	0503010691	1/4" GREASE FITTING		01
09	0503010009	RETAINER 00573-B		01
10	0503012723	502115 RENO RING		01
11	0503010298	1/4" X 1/2" BOLT		01
12	0503012457	UNF 1.1/4" CASTLE NUT		01



Item	Code	Description	See page	QT
01	0503012916	W-13 X 16,5 HOOP WHEEL		01
02	0503012112	400/60 - 15.5 TR 15 INNER TIRE		01
03	0503013119	CANVAS TIRE		01

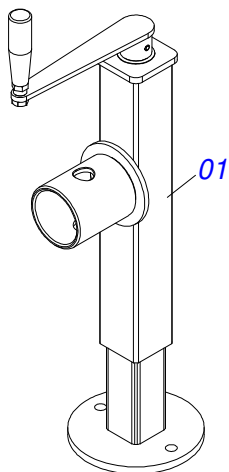
HARNESS ASSY

0511050170

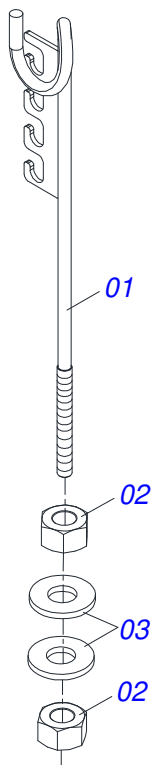


Item	Code	Description	See page	QT
01	0511060119	HARNESS		01
02	0521062956	HITCH		01
03	0561018588	COUPLING SHAFT		01
04	0501011301	1.1/2 UNC 6FPP 2.5/16 NUT		01
05	0501012916	FLAT WASHER 40 X 66 X 4,75 ZN		01
06	0503010010	1/4" X 2.1/2" COTTERPIN		01

DRAWBAR JACK

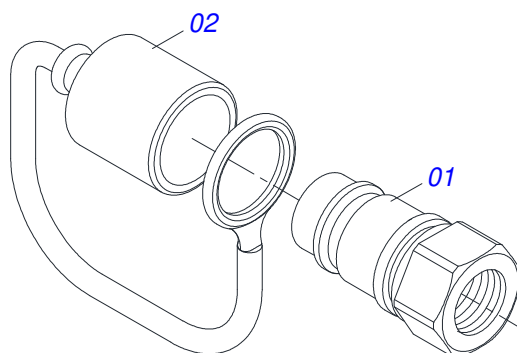


Item	Code	Description	See page	QT
01	0503062227	DRAWBAR JACK		01

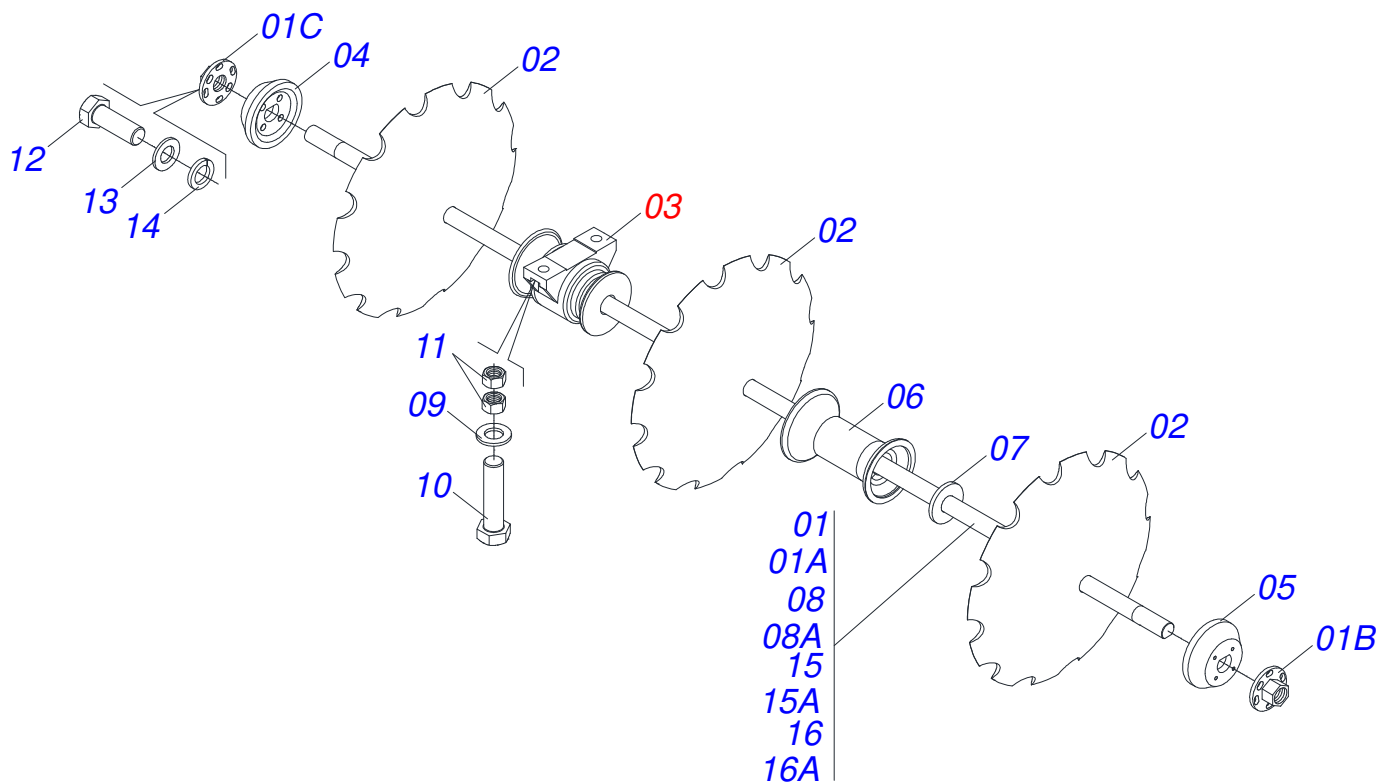


Item	Code	Description	See page	QT
01	0511067334	HOSE SUPPORT		01
02	0503010014	3/4" HEX NUT		02
03	0501010322	FLAT WASHER		02

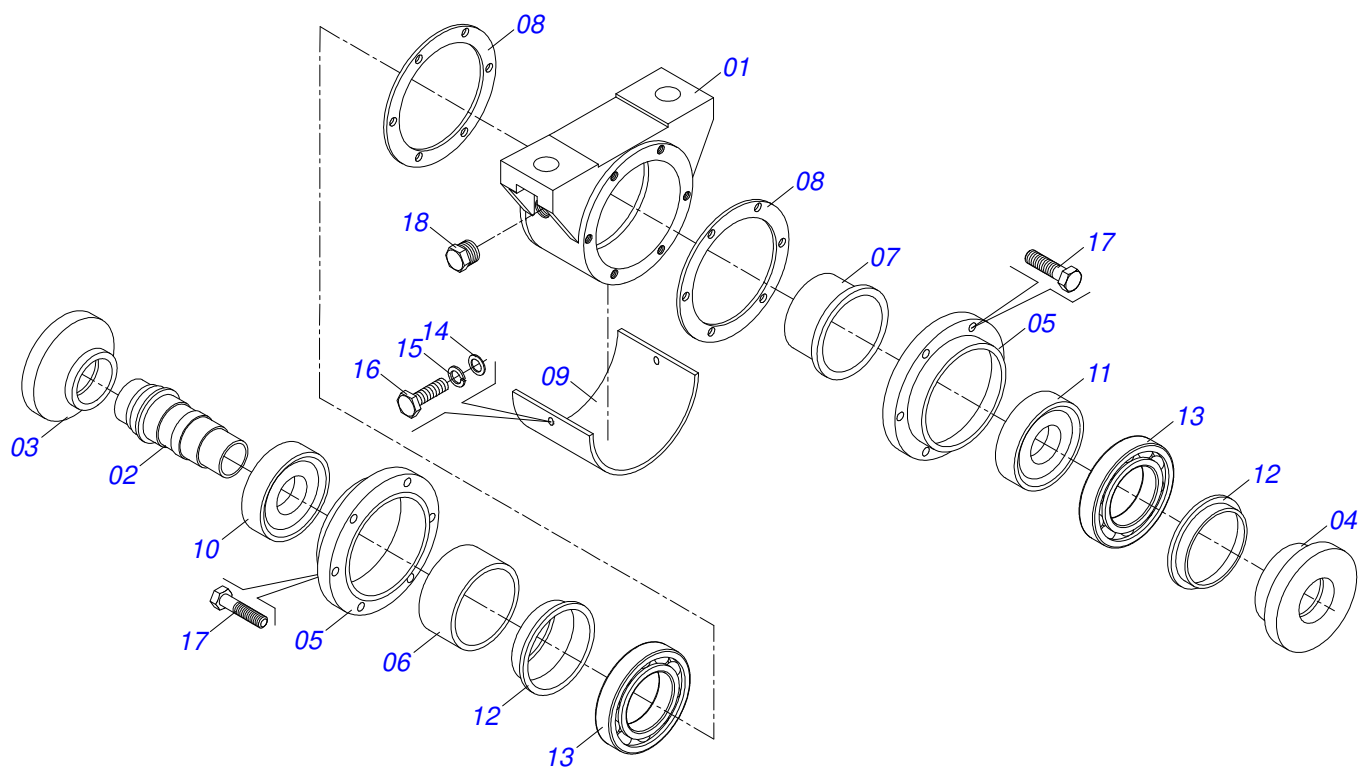




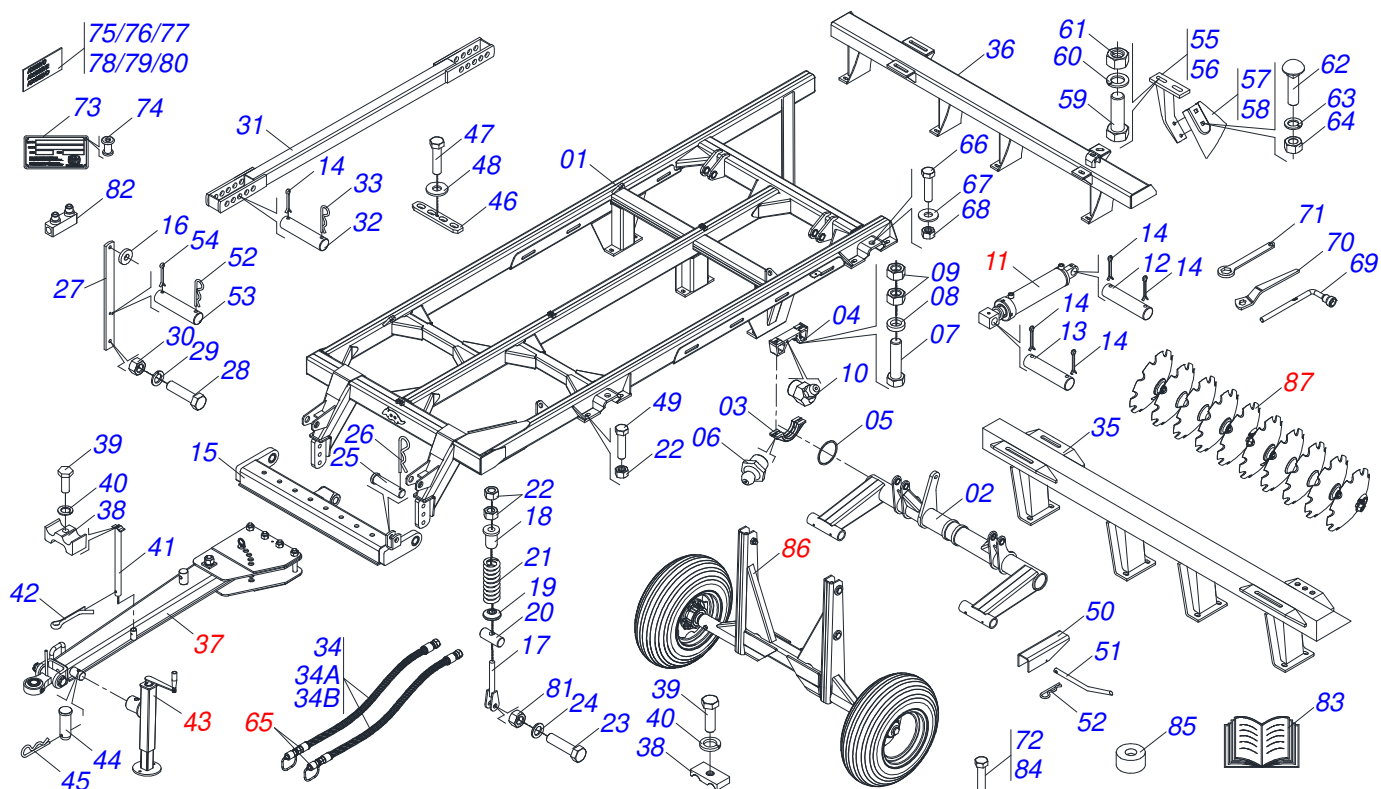
Item	Code	Description	See page	QT
01	0503011627	MALE QUICK COUPLER AGR 1/2 NPT		01
02	0503011882	MALE QUICK COUPLER CAP		01



Item	Code	Description	See page	12/14/16/18/20/22/24/28
01	0511050168	DISC AXLE 2" UNC X 1322 WITH NUT		00 00 04 02 00 00 00 00
01A	0521013942	DISC AXLE		00 00 04 02 00 00 00 00
01B	0502011580	RIGHT NUT		02 02 04 04 04 04 04 04
01C	0502011581	LEFT NUT		02 02 04 04 04 04 04 04
02	0602046009	34 X 9 MM NOTCHED DISC		12 14 16 18 20 22 24 28
02.	0602046009	34 X 9 MM NOTCHED DISC		12 14 16 18 20 22 24 28
03	0501048557	BEARING OIL	14	04 06 08 08 08 08 08 12
04	0502011578	INNER FLANGE		02 02 04 04 04 04 04 04
05	0502011577	OUTER FLANGE		02 02 04 04 04 04 04 04
06	0502011579	SPACER		06 06 04 06 08 10 12 12
07	0521013670	CHUCK		02 02 04 04 04 04 04 04
08	0511050172	DISC AXLE 2" UNC X 1682 WITH NUT		00 00 00 02 04 02 00 00
08A	0521014510	DISC AXLE		00 00 00 02 04 02 00 00
09	0521013709	REINFORCING WASHER		08 12 16 16 16 16 16 24
10	0503013331	3/4 UNC X 4.1/2 C S G.5 ZN BOLT		08 12 16 16 16 16 16 24
10.	0503010901	3/4UNC 3.1/2 BOLT		08 12 16 16 16 16 16 24
11	0503012183	SNC 3/4" ZIN 1K03097 NUT		16 24 32 32 32 32 32 48
12	0503010834	1/2 X 1 BOLT		08 08 16 16 16 16 16 16
13	0501010937	13,50 X 28 X 3,00 FLAT WASHER		08 08 16 16 16 16 16 16
14	0503010019	1/2" SPRING WASHER		08 08 16 16 16 16 16 16
15	0511050245	DISC AXLE 2" UNC X 2044 WITH NUT		02 00 00 00 00 02 04 00
15A	0521014358	DISC AXLE		02 00 00 00 00 02 04 00
16	0511050179	DISC AXLE 2" UNC X 2405 WITH NUT		00 02 00 00 00 00 00 04
16A	0521013683	DISC AXLE		00 02 00 00 00 00 00 04



Item	Code	Description	See page	QT
01	0502011641	BEARIN BODY		01
02	0502011633	CENTER DEARIN		01
03	0502011630	WASHER CONCAVE		01
04	0502011631	WASHER CONVEX		01
05	0502011632	BEARING COVER		02
06	0502011827	SPACER		01
07	0502011629	SPACER		01
08	0503031502	JOINT BEARIN		02
09	0521013855	PLATE PROTECTION		01
10	0502011627	HOUSING RETAINE		01
11	0502011628	HOUSING RETAINE		01
12	0503012824	RETAINER		02
13	0503012285	32212 ROLLER BEARING		02
14	0501010984	10,50 X 27 X 3,00 FLAT WASHER		02
15	0503010025	3/8 SPRING WASHER		02
16	0503011334	BOLT 3/8 UNC X 3/4 CS G.5 ZN		02
17	0503010237	3/8" X 1" BOLT		12
18	0503010856	OIL PLUG		01



Item	Code	Description	See page	20	22	24
01	0521063304	FRAME GAPCR 360 20,22,24		01	01	01
02	0521064270	WHEEL AXLE		01	01	01
03	0502011724	INF BEARING SEMI		03	03	03
04	0502011725	UPPER BEARING SEMI		03	03	03
05	0503012222	FELT RING		06	06	06
06	0503010002	1800 GREASE FITTING		06	06	10
07	0511016281	3/4" X 8" BOLT		06	06	06
08	0521013710	WASHER SEMIMAN		06	06	06
09	0503012183	SNC 3/4" ZIN 1K03097 NUT		14	14	14
10	0503010003	1845 GREASE FITTING		06	06	06
11	0531041451	HYDR. CYLINDER 53,98X101,6X728X400 - (FROM 09/2021)		02	02	02
11.	0501048626	HYDRAULIC CYLINDER 53,98X101,6X730X400 - 17 (UNTIL 08/2021)		02	02	02
12	0521013706	HEADLESS PIN		02	02	02
13	0591019956	44,45 X 168 HEADLESS PIN		02	02	02
14	0503010010	1/4" X 2.1/2" COTTERPIN		08	08	08
15	0511060203	DRAWBAR ASSY		01	01	01
16	0521013818	STRENGTHENING GL 41005 3281218		04	04	04
17	0511060124	ASSEMBLY TIME		02	02	02
18	0502011582	SPINDLE GUIDE		02	02	02
19	0521013759	PIN SPINDLE GUIDE		02	02	02
20	0521013760	SPRING SUPPORT		02	02	02
21	0503031460	SPRING		02	02	02
22	0503012182	1" NUT		16	16	16
23	0501010500	3/4"X3"BOLT		02	02	02
24	0501010322	FLAT WASHER		02	02	02
25	0521013738	PIN WITH HEAD		02	02	02
26	0503031479	STAPLE		02	02	02
27	0521014367	TOWER GVPF		01	01	01
28	0503012226	1-1/4" X 4" BOLT		01	01	01
29	0503010070	SPRING WASHER		01	01	01



## ASSY FRAME - 20/22/24D

0909094742

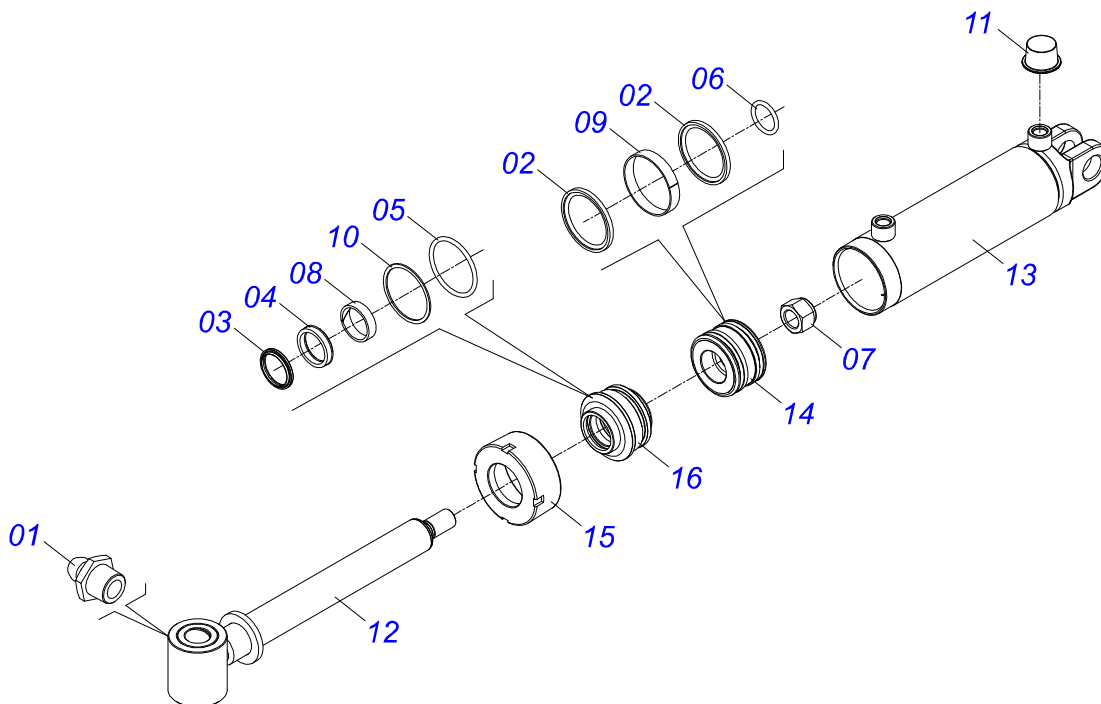
Item	Code	Description	See page	20	22	24
30	0503012181	1.1/4" NUT		01	01	01
31	0511060527	STABILIZER BAR		01	01	01
32	0521013776	PIN SEM HEAD		02	02	02
33	0503031470	TM 251 X 4,0 STAPLE		02	02	02
34	0501053212	HOSE SET	19	01	01	01
34A	0501080801	3/8 X 1100 TR-TM HOSE		04	04	04
34B	0501080815	TM-TM HOSE ASSY		02	02	02
35	0511060635	FRONT FRAME		01	00	00
35.	0511062310	FRONT FRAME		00	01	00
35..	0511061603	FRONT FRAME		00	00	01
36	0511060634	REAR FRAME		01	00	00
36.	0511062311	REAR FRAME		00	01	00
36..	0511061433	REAR FRAME		00	00	01
37	0511050283	AXLE ASSY	18	01	01	01
38	0502012702	BODY SUPPORT CLAMP		04	04	04
39	0503012555	SCREW 7/16 UNC X 2 CS RT G.7 ZN		04	04	04
40	0503010180	7/16" SPRING WASHER		04	04	04
41	0511060205	SUPPORT HOSE CNS 20104N		01	01	01
42	0503012215	5/16" X 2-1/2" COTTERPIN		01	01	01
43	0511048088	DRAWBAR JACK	10	01	01	01
44	0561014251	COUPLING SHAFT		01	01	01
45	0503030012	HITCH PIN CLIP		01	01	01
46	0521013774	GVMF LOCK		01	01	01
47	0501010108	5/8" X 1" BOLT		01	01	01
48	0501012140	FLAT WASHER		01	01	01
49	0503012257	1" X 4-1/4" BOLT		08	08	08
50	0591018207	LOCK FOR TRANSPORT		02	02	02
51	0541016844	FIXER LOCK		02	02	02
52	0503030285	HITCH PIN CLIP		03	03	03
53	0521013812	PIN FREE HEAD		01	01	01
54	0503010362	1/8 X 1.1/4 COTTERPIN		01	01	01
55	0511060138	FRONT CLEANER SUPPORT		10	11	12
56	0511060139	REAR CLEANER SUPPORT		10	11	12
57	0521013678	FRONT CLEANER		10	11	12
58	0521013679	REAR CLEANER		10	11	12
59	0503012180	FRENCH 3/4" X 2 BOLT		40	44	48
60	0503010023	3/4" SPRING WASHER		42	46	50
61	0503012183	SNC 3/4" ZIN 1K03097 NUT		42	46	50
62	0503012195	5/8" NUT		40	44	48
63	0503010027	5/8 SPRING WASHER		40	44	48
64	0503010013	5/8 NUT		40	44	48
65	0501053834	MALE QUICK COUPLER	12	02	02	02
66	0503019212	BOLT		02	02	02
67	0521014368	FLAT WASHER		02	02	02
68	0502011692	3442029 NUT		02	02	02
69	0503018438	1" WRENCH CYLINDRICAL HEX		01	01	01
70	0501011431	1-3/4" GANG BOLT WRENCH		02	02	02
71	0511064004	WRENCH		01	01	01
72	0503011084	3/4" X 5" BOLT		02	02	02
73	0503034003	SERIAL NUMBER TAG 61 X 118		01	01	01
74	0503010001	3.2 X 5.5 RIVET		04	04	04
75	0503031738	ADHESIVE LABEL		01	01	01
76	0503060788	SET OF ADHESIVE STICKERS		01	01	01
77	0503031428	READ MANUAL DECAL		01	01	01
78	0503033038	DANGER SIGN		02	02	02
79	0503031739	ADHESIVE LABEL		01	01	01
80	0503031087	ADHESIVE LABEL		02	02	02
81	0503011255	3/4" LOCK NUT		02	02	02
82	0501074276	TERMINAL CONNECTION		02	02	02



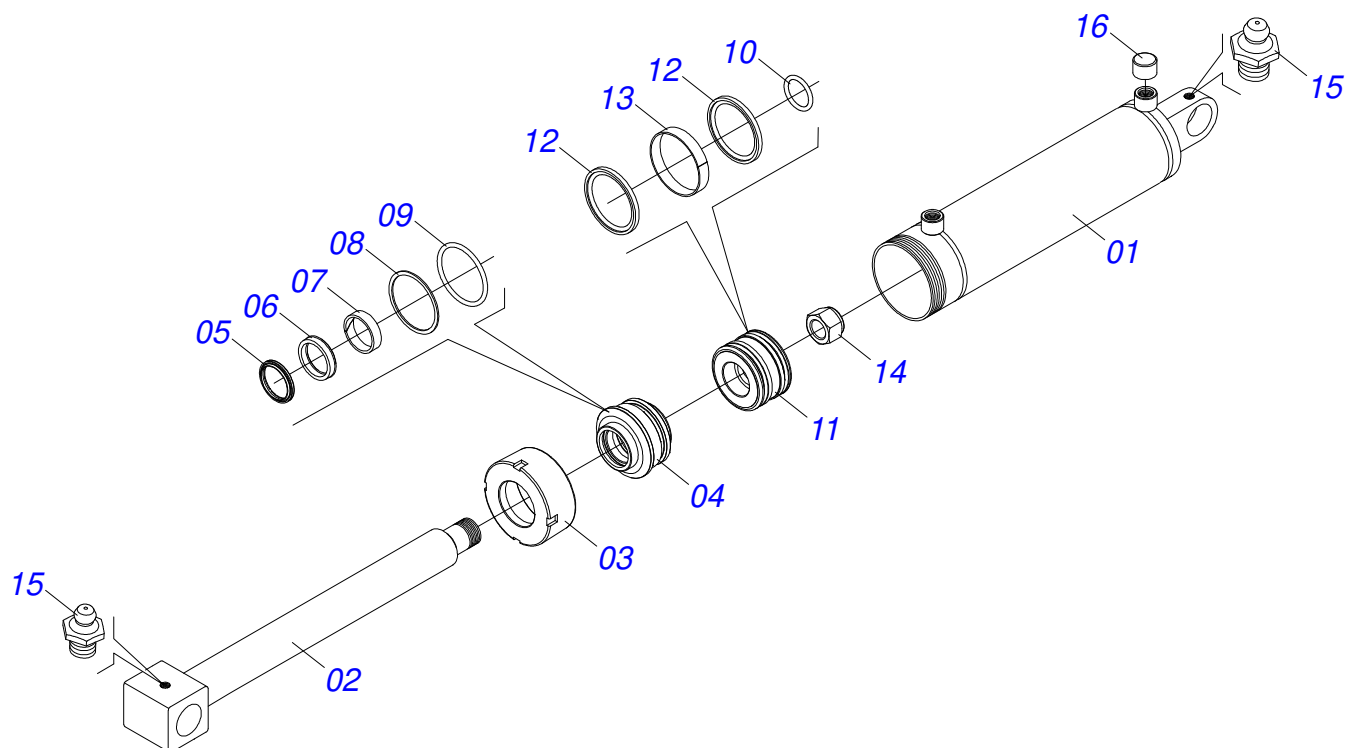
ASSY FRAME - 20/22/24D

0909094742

Item	Code	Description	See page	20	22	24
83	0511030134	BAG WITH INSTRUCTION MANUAL		01	01	01
84	0503013826	3/4 UNC X 3.3/4 C S G.8 SCREW		16	16	16
85	0503013171	SEALING		01	01	01
86	0909094745	ASSEMBLY CARRYING-WHEELS	6	01	01	01
86.	0909094744	WHEEL ASSY	3	01	01	01
87	0909094734	ASSY DISK SECTION - 12/14/16/18/20/22/24/28D	13	01	01	01



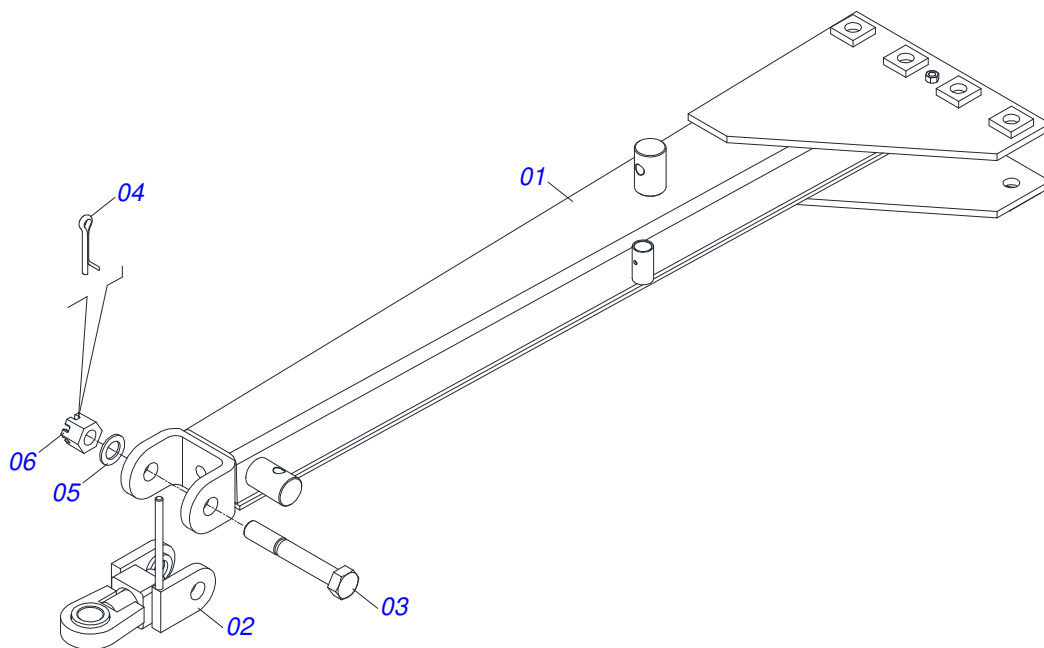
Item	Code	Description	See page	QT
01	0503010002	1800 GREASE FITTING		02
02	0503010043	PACKING 3750-3250		02
03	0503010314	GASKET		01
04	0503010319	D-2125 SCRAPER		01
05	0503010338	2-342 N 3006-9B O'RING		01
06	0503010345	2-218 N 3006-9B O'RING		01
07	0503010817	1.1/4" SELF LOCKING NUT		01
08	0503010973	W2-2500-500 PK O'RING G.E		01
09	0503010994	W2-4000-500 PK RING G.E		01
10	0503011061	8-342 BACK-UP RING		01
11	0503030384	CON PLUG N-001		02
12	0531062835	EXTENDER 53.98 X 609		01
13	0511062253	CYLINDER CASE		01
14	0502011969	53,98 X 101,60 PISTON		01
15	0502010017	4" HEAD		01
16	0502011250	RING OF SUPPORT		01



Item	Code	Description	See page	QT
01	0511062253	CYLINDER CASE		01
02	0511062249	53,98 X 609 TURNBUCKLE		01
03	0502010017	4" HEAD		01
04	0502011250	RING OF SUPPORT		01
05	0503010319	D-2125 SCRAPER		01
06	0503010314	GASKET		01
07	0503010973	W2-2500-500 PK O'RING G.E		01
08	0503011061	8-342 BACK-UP RING		01
09	0503010338	2-342 N 3006-9B O'RING		01
10	0503010345	2-218 N 3006-9B O'RING		01
11	0502011969	53,98 X 101,60 PISTON		01
12	0503010043	PACKING 3750-3250		02
13	0503010994	W2-4000-500 PK RING G.E		01
14	0503010817	1.1/4" SELF LOCKING NUT		01
15	0503010002	1800 GREASE FITTING		02
16	0503030384	CON PLUG N-001		02

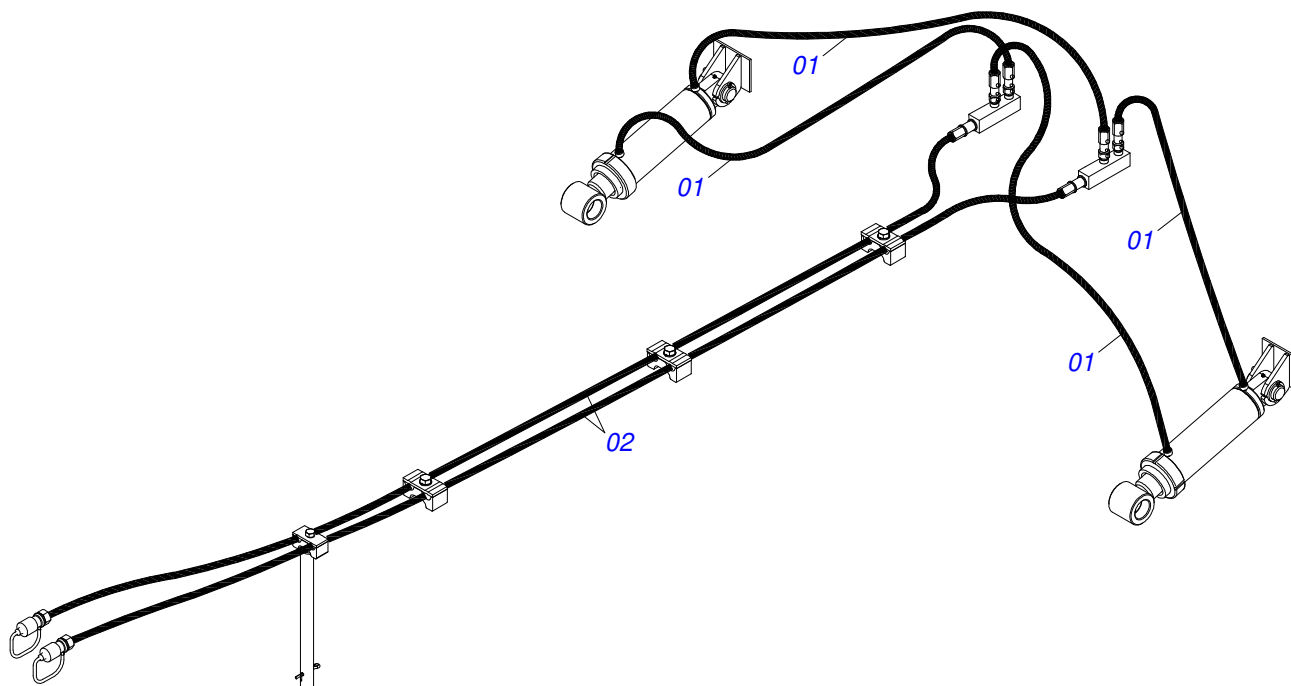


AXLE ASSY



Item	Code	Description	See page	QT
01	0511060529	AXLE		01
02	0511063351	HITCH		01
03	0521013739	BOLT HARNESS		01
04	0503010010	1/4" X 2.1/2" COTTERPIN		01
05	0501012916	FLAT WASHER 40 X 66 X 4,75 ZN		01
06	0502011592	CASTLE NUT		01

HOSE SET



Item	Code	Description	See page	QT
01	0501080801	3/8 X 1100 TR-TM HOSE		04
02	0501080815	TM-TM HOSE ASSY		02





**MARCHESAN**

**Technical Publications | Elaboration and Revision**

ALESSANDRA PATRICIA KAWAHARA CARRILI

[www.marchesan.com.br](http://www.marchesan.com.br)

