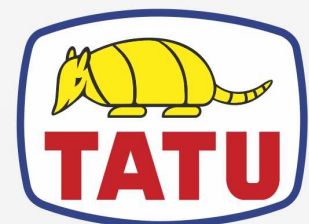


CHASER BIN

DCCO 2500 MC WITH FLOW DEFLECTOR - ARGENTINA

Code: 0501093202
Series: S-0107
Revision: 00
Date Revision: FEVEREIRO/2023

PARTS CATALOGUE



MARCHESAN



PRODUCTS

| Code | Description |
|------------|---|
| 0109090115 | DCCO 2500 MC COM DIRECCIONADOR ARGENTINA S-0107 |

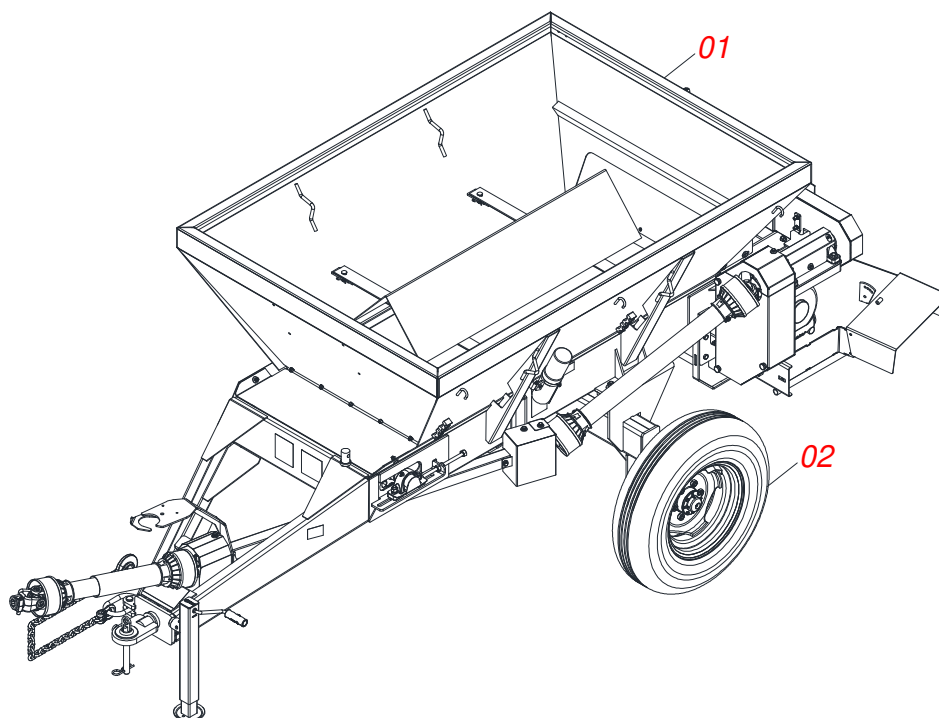
ATTENTION: IMPORTANT

Marchesan S.A. reserves the right to improve and/or modify the technical features of its products, without obligation to do the same with those products already sold and without prior knowledge of the dealer or the customer. The photos are only illustrative.



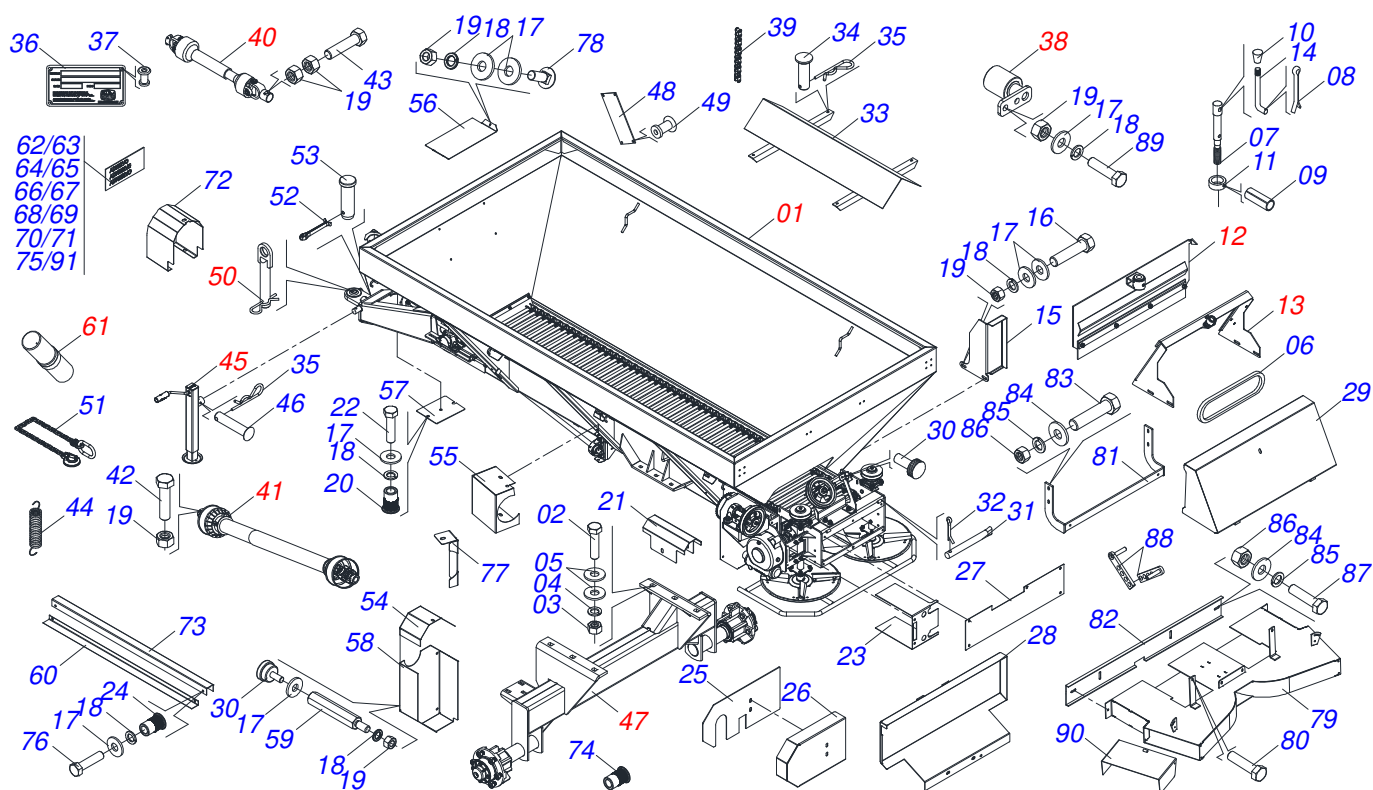
INDEX

| | | | |
|------------|--|-------|----|
| 0109090115 | DCCO 2500 MC WITH DIRECTIONER ARGENTINA S-0107 | | 1 |
| 0511045833 | ASSY FRAME | | 2 |
| 0501057542 | BUCKET SEMI MOUNTED | | 3 |
| 0511041213 | AGRICULTURAL BEARING | | 4 |
| 0501053868 | BELT TENSIONER ASSY | | 5 |
| 0501047985 | REDUCER | | 6 |
| 0501051774 | 38Z CROWN | | 7 |
| 0501044306 | BATH BEARING | | 8 |
| 0501056970 | SUPPORT OF LEFT DISK | | 9 |
| 0501048000 | AGRICULTURAL BEARING | | 10 |
| 0501058675 | DISTRIBUTOR LEFT DISC ASSY | | 11 |
| 0521053161 | CARDAN SUPPORT WITHOUT SPRING | | 12 |
| 0521057116 | FULL HITCH | | 13 |
| 0501044308 | AGRICULTURAL BEARING ASSY | | 14 |
| 0501058677 | DISTRIBUTOR RIGHT DISC ASSY | | 15 |
| 0501056971 | RIGHT DISK SUPPORT | | 16 |
| 0511059108 | SLUICE VALVE COVER ASSY | | 17 |
| 0511059105 | SLUICE VALVE SUPPORT | | 18 |
| 0501050829 | CHAIN TENSIONER | | 19 |
| 0503062157 | DRAWBAR JACK | | 20 |
| 0501048241 | DRIVE SHAFT | | 21 |
| 0501048409 | DRIVE SHAFT | | 22 |
| 0511041062 | SUPPORT FIXATION | | 23 |
| 0501051142 | CARRYING WHEEL HUB | | 24 |
| 0501047881 | AXIS JOINT ASSY | | 25 |
| 0531050102 | CATALOGUE/MANUAL CANISTER ASSY | | 26 |
| 0503060206 | 29.5"X0.6"- 10L WHEEL AND TIRE ASSY | | 27 |



| Item | Code | Description | See page | QT |
|------|------------|-------------------------------------|----------|----|
| 01 | 0511045833 | ASSY FRAME | 2 | 01 |
| 02 | 0503060206 | 29.5"X0.6"- 10L WHEEL AND TIRE ASSY | 27 | 02 |

ASSY FRAME



| Item | Code | Description | See page | QT |
|------|------------|-------------------------------|----------|----|
| 01 | 0501057542 | BUCKET SEMI MOUNTED | 3 | 01 |
| 02 | 0503010899 | 5/8 UNC X 2.1/4 BOLT | | 06 |
| 03 | 0503010013 | 5/8 NUT | | 06 |
| 04 | 0503010027 | 5/8 SPRING WASHER | | 06 |
| 05 | 0501012140 | FLAT WASHER | | 12 |
| 06 | 0503012941 | C-148 BELT | | 01 |
| 07 | 0561014861 | REGULATOR | | 01 |
| 08 | 0503010257 | 1/8" X 1" COTTERPIN | | 01 |
| 09 | 0503010561 | SPRING PIN | | 01 |
| 10 | 0503030878 | LEVER CRANK | | 01 |
| 11 | 0511013015 | SLEEVE | | 01 |
| 12 | 0511059108 | SLUICE VALVE COVER ASSY | 17 | 01 |
| 13 | 0511059105 | SLUICE VALVE SUPPORT | 18 | 01 |
| 14 | 0521011107 | CRANK BODY | | 01 |
| 15 | 0581017469 | PROTECTION SIDE | | 01 |
| 16 | 0503010849 | 3/8" X 1-1/2" BOLT | | 04 |
| 17 | 0501010984 | 10,50 X 27 X 3,00 FLAT WASHER | | 42 |
| 18 | 0503010025 | 3/8 SPRING WASHER | | 40 |
| 19 | 0503010026 | 3/8" NUT | | 33 |
| 20 | 0503019416 | RIVET SCREW THREAD INTERNAL | | 09 |
| 21 | 0581015152 | COVER PROTECTION | | 01 |
| 22 | 0503010237 | 3/8" X 1" BOLT | | 22 |
| 23 | 0581017453 | FLANGE PROTECTION COVER | | 01 |
| 24 | 0503019413 | THREAD SCREW INTERNAL | | 04 |
| 25 | 0591016127 | SIDE PROTECTION BELT COVER | | 01 |
| 26 | 0591016128 | SIDE PROTECTION BELT | | 01 |
| 27 | 0501211932 | REAR PROTECTION | | 01 |
| 28 | 0521068794 | BELT INTERNAL PROTECTION | | 01 |
| 29 | 0511063408 | REAR COVER PROTECTION | | 01 |
| 30 | 0503010386 | CABLE | | 04 |
| 31 | 0501017574 | 0.3" X 2.7" AXLE | | 02 |



ASSY FRAME

0511045833

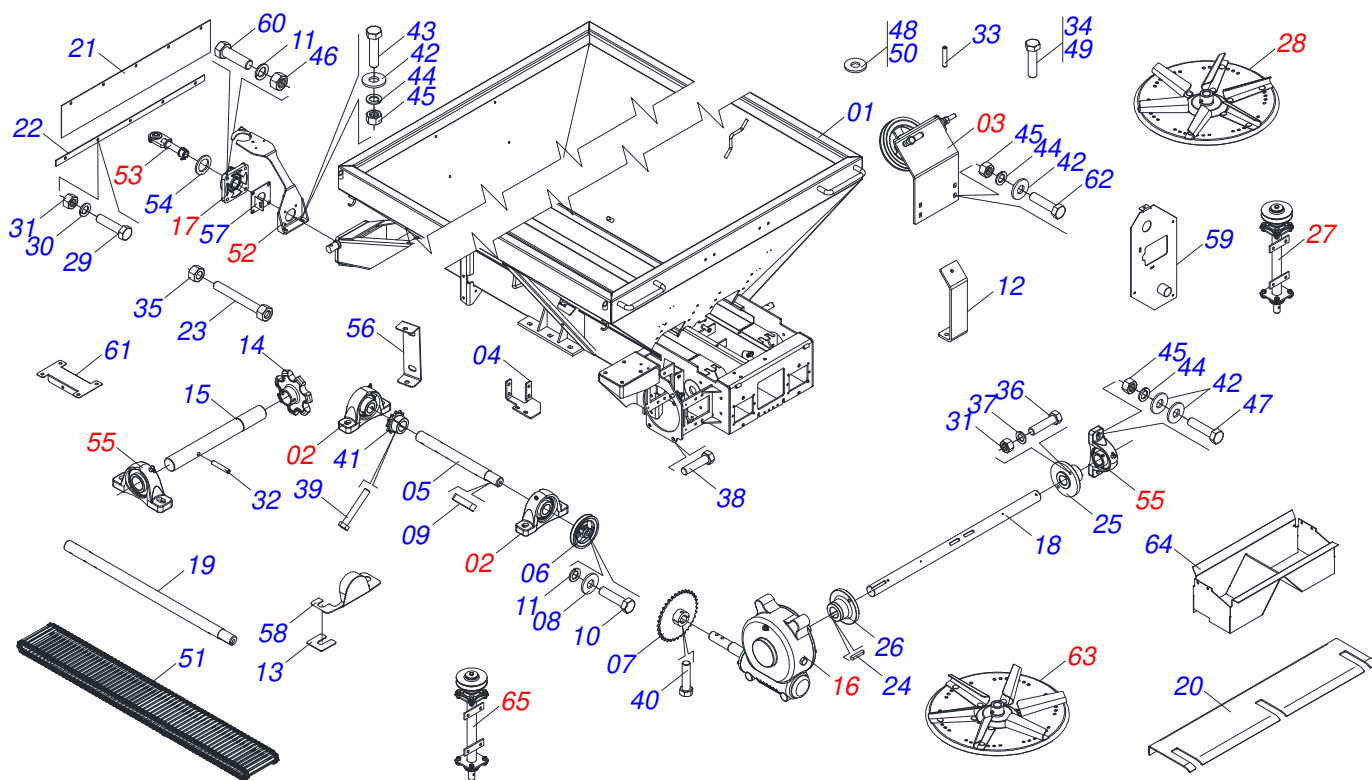
| Item | Code | Description | See page | QT |
|------|------------|--|----------|----|
| 32 | 0503010140 | 1/8" X 3/4" COTTERPIN | | 02 |
| 33 | 0511063841 | LARGER DEFLECTOR | | 01 |
| 34 | 0521017623 | 0.5" X 1.5" COUPLING SHAFT | | 04 |
| 35 | 0503030168 | HITCH PIN CLIP | | 05 |
| 36 | 0503034003 | SERIAL NUMBER TAG 61 X 118 | | 01 |
| 37 | 0503010001 | 3.2 X 5.5 RIVET | | 04 |
| 38 | 0501050829 | CHAIN TENSIONER | 19 | 01 |
| 39 | 0503013003 | 50-1 CHAIN X 79 LINK + REDUCTION + MENDING | | 01 |
| 40 | 0501048241 | DRIVE SHAFT | 21 | 01 |
| 41 | 0501048409 | DRIVE SHAFT | 22 | 01 |
| 42 | 0503011268 | 3/8" X 2-1/2" BOLT | | 02 |
| 43 | 0503010765 | 3/8" X 3" BOLT | | 01 |
| 44 | 0503030198 | 0.6" X 2.4" X 0.1" EXTENSION SPRING | | 01 |
| 45 | 0503062157 | DRAWBAR JACK | 20 | 01 |
| 46 | 0521010549 | COUPLING SHAFT | | 01 |
| 47 | 0511041062 | SUPPORT FIXATION | 23 | 01 |
| 48 | 0503030751 | REGULATOR PLATE | | 01 |
| 49 | 0503012209 | RIVET POP | | 04 |
| 50 | 0501047881 | AXIS JOINT ASSY | 25 | 01 |
| 51 | 0503013150 | 1300 X 3/8 CHAIN | | 01 |
| 52 | 0503010131 | 3/16" X 1-1/2" COTTERPIN | | 01 |
| 53 | 0581011220 | COUPLING SHAFT | | 01 |
| 54 | 0581017494 | TOP PROTECTION RECAMBIO | | 01 |
| 55 | 0521068818 | BEARING PROTECTION | | 01 |
| 56 | 0581017447 | FRONT PROTECTION | | 01 |
| 57 | 0581017488 | LOWER PROTECTION BOARD CARDAN | | 01 |
| 58 | 0581017446 | CHAIN CAP | | 01 |
| 59 | 0581017496 | PRISONER 3/8 UNC X 5/16 UNC X 175 | | 03 |
| 60 | 0581017460 | FRONT COVER | | 01 |
| 61 | 0531050102 | CATALOGUE/MANUAL CANISTER ASSY | 26 | 01 |
| 62 | 0503031859 | ADHESIVE LABEL DANGER | | 02 |
| 63 | 0503034578 | ADHESIVE LABEL | | 02 |
| 64 | 0503031751 | ADHESIVE LABEL | | 01 |
| 65 | 0503031428 | READ MANUAL DECAL | | 01 |
| 66 | 0503031827 | LUBRICATE AND RETIGHTEN DAILY DECAL | | 01 |
| 67 | 0503031087 | ADHESIVE LABEL | | 01 |
| 68 | 0503031818 | ADHESIVE LABEL | | 01 |
| 69 | 0503031809 | ADHESIVE LABEL | | 01 |
| 70 | 0503032425 | ADHESIVE LABEL ATTENTION | | 01 |
| 71 | 0503032949 | ADHESIVE LABEL | | 01 |
| 72 | 0581017468 | PROTECTION BODY | | 01 |
| 73 | 0521068797 | TRANSMISSION AXLE PROTECTION | | 01 |
| 74 | 0503019729 | THREAD SCREW INTERNAL | | 04 |
| 75 | 0503035156 | LABEL ADHESIVE | | 01 |
| 76 | 0503010256 | 3/8" X 3/4" BOLT | | 08 |
| 77 | 0591016145 | PROTECTION BEARING COVER BACK | | 01 |
| 78 | 0501011643 | 3/8 X 1"BOLT | | 02 |
| 79 | 0511067427 | DIRECTIONER | | 01 |
| 80 | 0503012623 | 3/8" X 1-1/2" BOLT | | 02 |
| 81 | 0521062523 | BUMPER FIXING SUPPORT | | 01 |
| 82 | 0531061723 | BUMPER WITH CLIP | | 01 |
| 83 | 0501010063 | 1/2" X 1-1/2" BOLT | | 04 |
| 84 | 0501010937 | 13,50 X 28 X 3,00 FLAT WASHER | | 08 |
| 85 | 0503010019 | 1/2" SPRING WASHER | | 08 |
| 86 | 0503010060 | 1/2 UNC G.5 ZN HEX NUT | | 08 |
| 87 | 0501010161 | 1/2" X 1.1/4" BOLT | | 04 |
| 88 | 0501067368 | DIVISOR REGULATOR OPEN | | 02 |
| 89 | 0503010751 | C3/8" X 1.1/4" HEX BOLT G.5 | | 02 |
| 90 | 0511064254 | CONTROLLER SPOUT | | 02 |



ASSY FRAME

0511045833

| Item | Code | Description | See page | QT |
|------|------------|------------------------------|----------|----|
| 91 | 0503036144 | MAXIMUM SPEED ADHESIVE LABEL | | 01 |

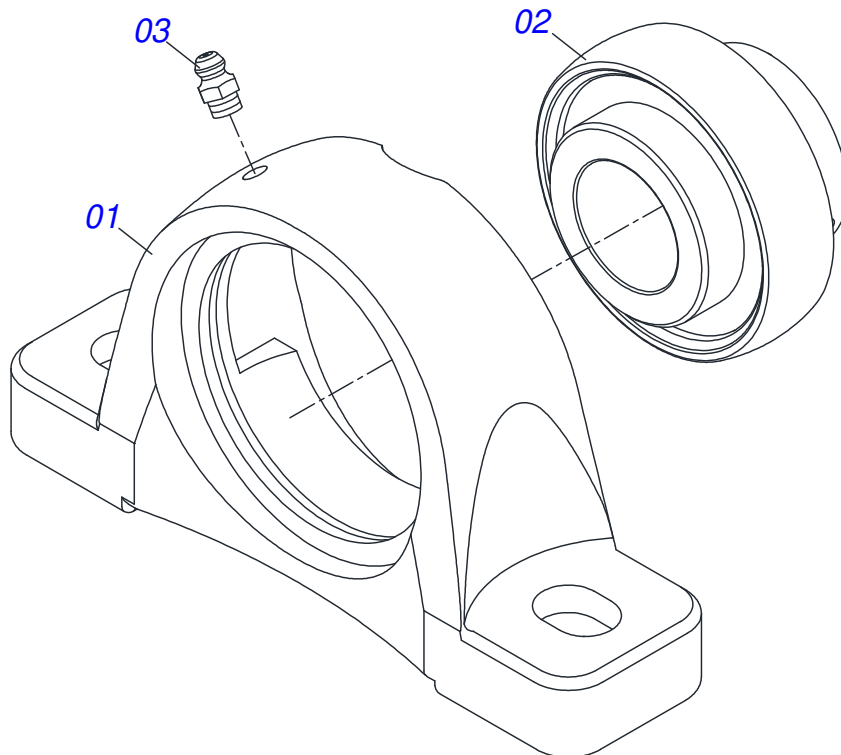


| Item | Code | Description | See page | QT |
|------|------------|----------------------------------|----------|----|
| 01 | 0511063842 | BUCKET | | 01 |
| 02 | 0511041213 | AGRICULTURAL BEARING | 4 | 03 |
| 03 | 0501053868 | BELT TENSIONER ASSY | 5 | 01 |
| 04 | 0591016126 | FIXING BODY SIDE PROTECTION BELT | | 01 |
| 05 | 0531014330 | DRIVE AXLE | | 01 |
| 06 | 0502012936 | 1 C X 219 X 30 PULLEY | | 01 |
| 07 | 0501069020 | 35Z GEAR | | 02 |
| 08 | 0511014052 | FLAT WASHER | | 01 |
| 09 | 0501010536 | KEYWAY SQUARE | | 01 |
| 10 | 0503010355 | 7/16" X 1" BOLT | | 01 |
| 11 | 0503011446 | SPRING WASHER | | 05 |
| 12 | 0511063668 | REAR FIXER COVER | | 01 |
| 13 | 0501010794 | HIDR CHOCK REGULATOR | | 04 |
| 14 | 0591016380 | GEAR | | 06 |
| 15 | 0591016382 | DRIVEN AXLE | | 01 |
| 16 | 0501047985 | REDUCER | 6 | 01 |
| 17 | 0501044306 | BATH BEARING | 8 | 01 |
| 18 | 0591016381 | DRIVING AXLE | | 01 |
| 19 | 0521012443 | TRANSMISSION AXLE | | 01 |
| 20 | 0531014324 | TOOTH COVER | | 01 |
| 21 | 0531014337 | PROTECTION LARGER | | 02 |
| 22 | 0531014331 | SLUICE VALVE FIXER COVER | | 01 |
| 23 | 0501067853 | ROD STABILIZER | | 02 |
| 24 | 0501010540 | KEYWAY SQUARE | | 02 |
| 25 | 0511016540 | MAT COUPLING FLANGE | | 01 |
| 26 | 0511016541 | REDUCTION COUPLING FLANGE | | 01 |
| 27 | 0501056970 | SUPPORT OF LEFT DISK | 9 | 01 |
| 28 | 0501058675 | DISTRIBUTOR LEFT DISC ASSY | 11 | 01 |
| 29 | 0503010237 | 3/8" X 1" BOLT | | 14 |
| 30 | 0503011443 | 3/8" SPRING WASHER | | 18 |
| 31 | 0503010026 | 3/8" NUT | | 24 |

**BUCKET SEMI MOUNTED**

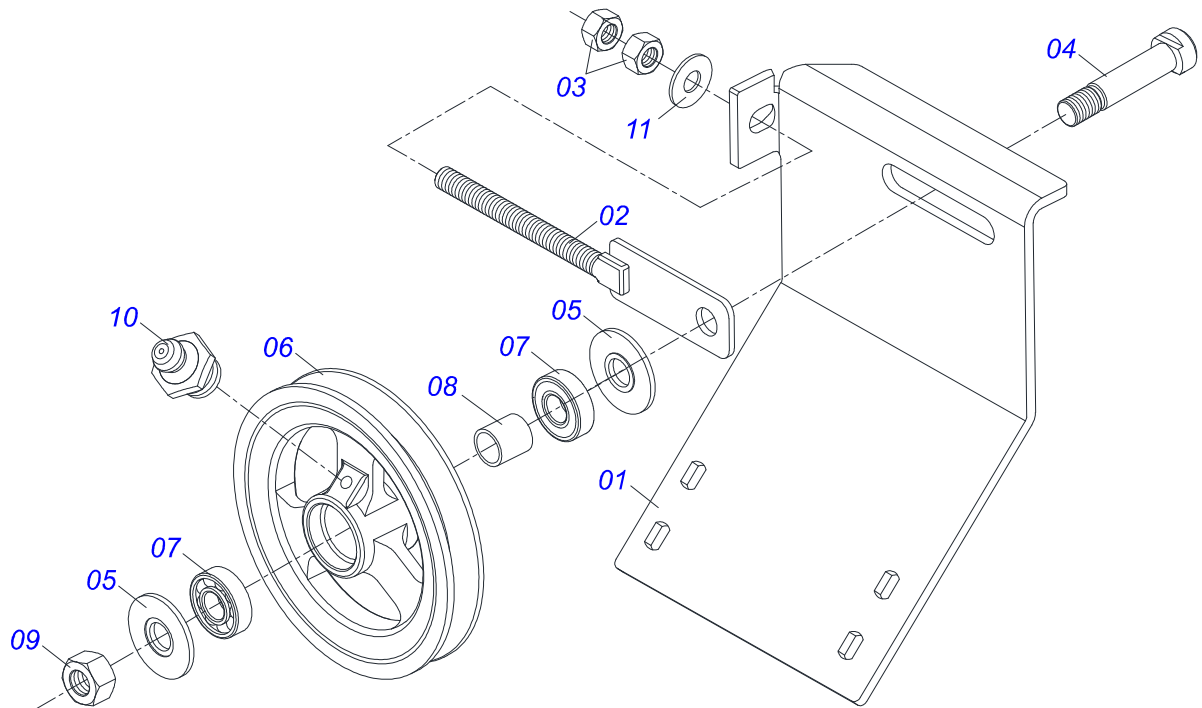
0501057542

| Item | Code | Description | See page | QT |
|------|------------|------------------------------------|----------|----|
| 32 | 0503010361 | SPRING PIN | | 08 |
| 33 | 0503010756 | 0.2" X 2.4" SPRING PIN | | 06 |
| 34 | 0503010233 | 5/8" X 2-1/2" BOLT | | 04 |
| 35 | 0503010013 | 5/8 NUT | | 06 |
| 36 | 0503010849 | 3/8" X 1-1/2" BOLT | | 02 |
| 37 | 0503011445 | SPRING WASHER | | 08 |
| 38 | 0503011167 | M16 X 2 X 30 BOLT | | 04 |
| 39 | 0503011268 | 3/8" X 2-1/2" BOLT | | 01 |
| 40 | 0503011141 | 3/8" X 2-3/4" BOLT | | 02 |
| 41 | 0501069017 | 12Z GEAR | | 01 |
| 42 | 0511017302 | FLAT WASHER 13,50 X 32,50 X 3,0 ZN | | 26 |
| 43 | 0503010920 | 1/2 UNC X 1.1/2 C S G.5 ZN BOLT | | 10 |
| 44 | 0503011440 | SPRING WASHER | | 24 |
| 45 | 0503010060 | 1/2 UNC G.5 ZN HEX NUT | | 24 |
| 46 | 0503010244 | 7/16" NUT | | 04 |
| 47 | 0503010740 | BOLT 1/2 UNC X 2 CS G.5 ZN | | 10 |
| 48 | 0501012140 | FLAT WASHER | | 08 |
| 49 | 0503010751 | C3/8" X 1.1/4" HEX BOLT G.5 | | 02 |
| 50 | 0501010984 | 10,50 X 27 X 3,00 FLAT WASHER | | 09 |
| 51 | 0511063813 | DRIVE THE TRANSPORT TALISCA | | 01 |
| 52 | 0521053161 | CARDAN SUPPORT WITHOUT SPRING | 12 | 01 |
| 53 | 0521057116 | FULL HITCH | 13 | 01 |
| 54 | 0501015875 | FLAT WASHER | | 01 |
| 55 | 0501044308 | AGRICULTURAL BEARING ASSY | 14 | 04 |
| 56 | 0581017504 | BEARING PROTECTION SUPPORT | | 01 |
| 57 | 0521068825 | SUPPORT AXLE PROTECTION | | 01 |
| 58 | 0521068822 | BEARING PROTECTION | | 03 |
| 59 | 0521068791 | TRANSMISSION PROTECTION COVER | | 01 |
| 60 | 0503011135 | BOLT | | 04 |
| 61 | 0581015151 | FIXING BODY COVER PROTECTION | | 01 |
| 62 | 0503010238 | BOLT 1/2 UNC X 1.3/4 CS G.2 ZN | | 04 |
| 63 | 0501058677 | DISTRIBUTOR RIGHT DISC ASSY | 15 | 01 |
| 64 | 0511067428 | SHATTERING SPOUT | | 01 |
| 65 | 0501056971 | RIGHT DISK SUPPORT | 16 | 01 |



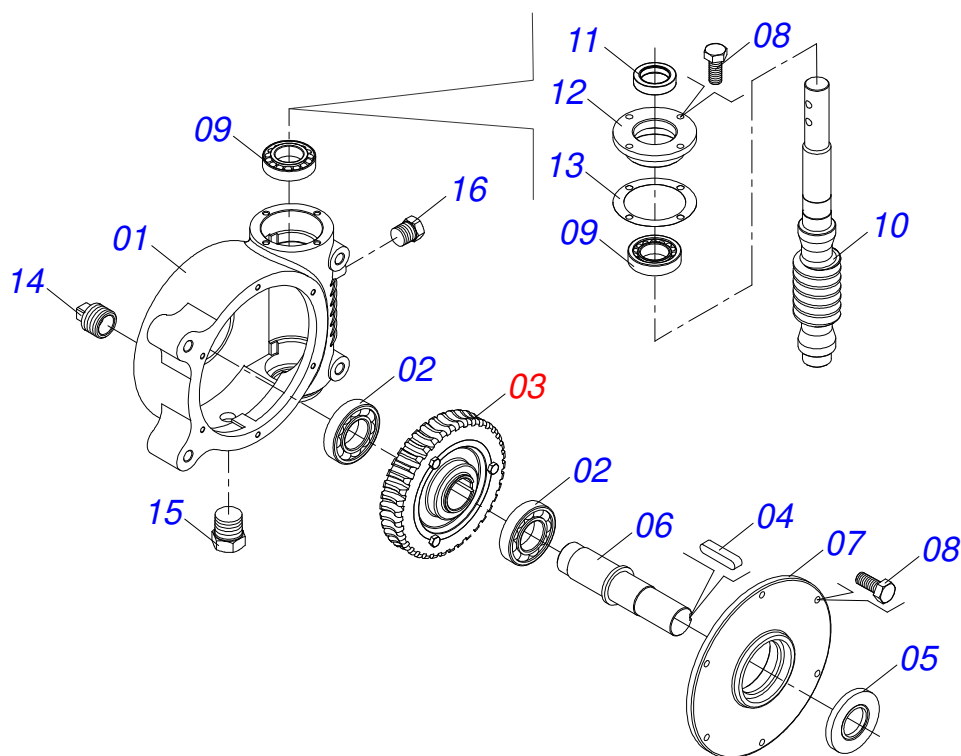
| Item | Code | Description | See page | QT |
|------|------------|------------------------------|----------|----|
| 01 | 0502011954 | AGRICULTURAL HOUSING BEARING | | 01 |
| 02 | 0503011884 | BALL BEARING | | 01 |
| 03 | 0503010691 | 1/4" GREASE FITTING | | 01 |

BELT TENSIONER ASSY

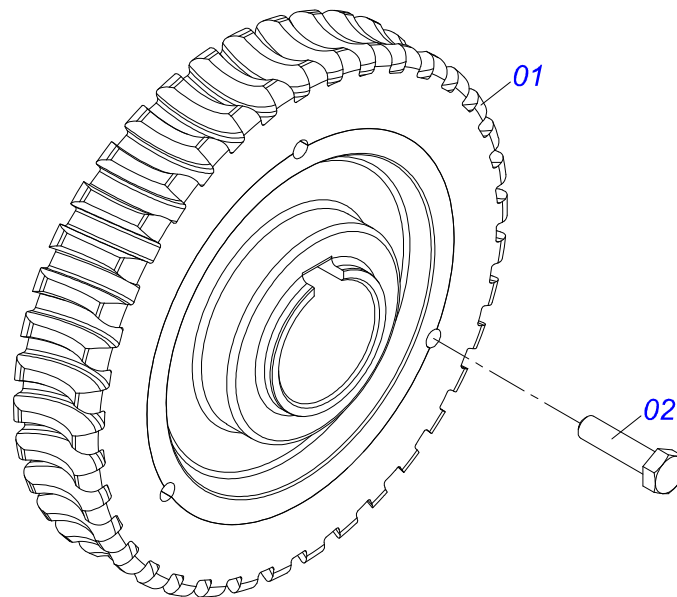


| Item | Code | Description | See page | QT |
|------|------------|----------------------------|----------|----|
| 01 | 0531014326 | PULLEY BODY SUPPORT | | 01 |
| 02 | 0511064818 | PULLEY TENSIONER | | 01 |
| 03 | 0503010013 | 5/8 NUT | | 02 |
| 04 | 0511012362 | TIGHTENER AXLE PULLEY | | 01 |
| 05 | 0501019288 | WASHER SPACER | | 02 |
| 06 | 0502011366 | REEL 1C 8.3" X 1.6" PULLEY | | 01 |
| 07 | 0503010690 | 6204 BALL BEARING | | 02 |
| 08 | 0521010497 | 0.8" X 1.1" X 1.1" SPACER | | 01 |
| 09 | 0503010014 | 3/4" HEX NUT | | 01 |
| 10 | 0503010002 | 1800 GREASE FITTING | | 01 |
| 11 | 0501012140 | FLAT WASHER | | 01 |

REDUCER

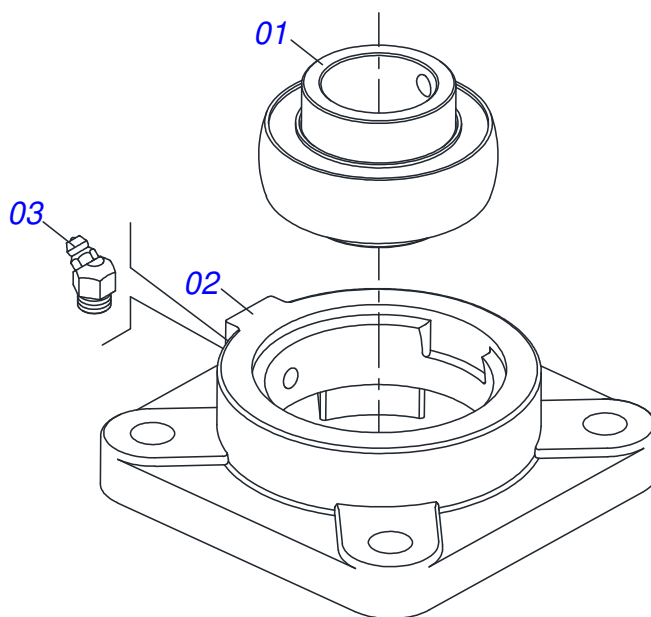


| Item | Code | Description | See page | QT |
|------|------------|---------------------------|----------|----|
| 01 | 0502011456 | REDUCTION BOX | | 01 |
| 02 | 0503011095 | 6208 BALL BEARING | | 02 |
| 03 | 0501051774 | 38Z CROWN | 7 | 01 |
| 04 | 0503011304 | 1/2" X 2.4" KEYWAY SQUARE | | 01 |
| 05 | 0503010818 | 02675-BRG SEAL | | 01 |
| 06 | 0521010996 | AXLE | | 01 |
| 07 | 0502020556 | LARGER COVER | | 01 |
| 08 | 0503010240 | BOLT | | 10 |
| 09 | 0503010016 | BEARING LM | | 02 |
| 10 | 0521010997 | SCREW THEAD | | 01 |
| 11 | 0503011171 | 00912-BRG SEAL | | 01 |
| 12 | 0502011457 | SMALLER COVER | | 01 |
| 13 | 0503030981 | 102 X 75,5 X 0,10 JOINT | | 01 |
| 14 | 0521011023 | PLUG | | 01 |
| 15 | 0513010009 | LEVEL DISPLAY | | 01 |
| 16 | 0503010856 | OIL PLUG | | 01 |



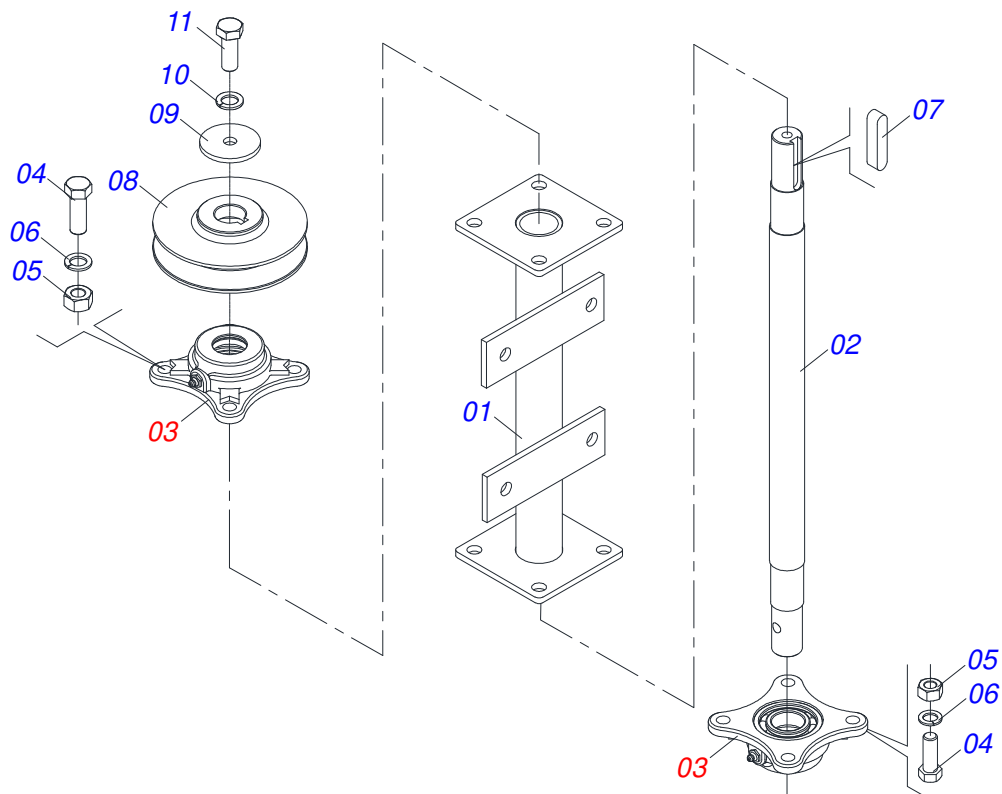
| Item | Code | Description | See page | QT |
|------|------------|----------------------------------|----------|----|
| 01 | 0501110280 | 38Z CONICAL | | 01 |
| 02 | 0503010365 | BOLT 5/16 UNC X 1.1/4 C S G.5 ZN | | 03 |

BATH BEARING

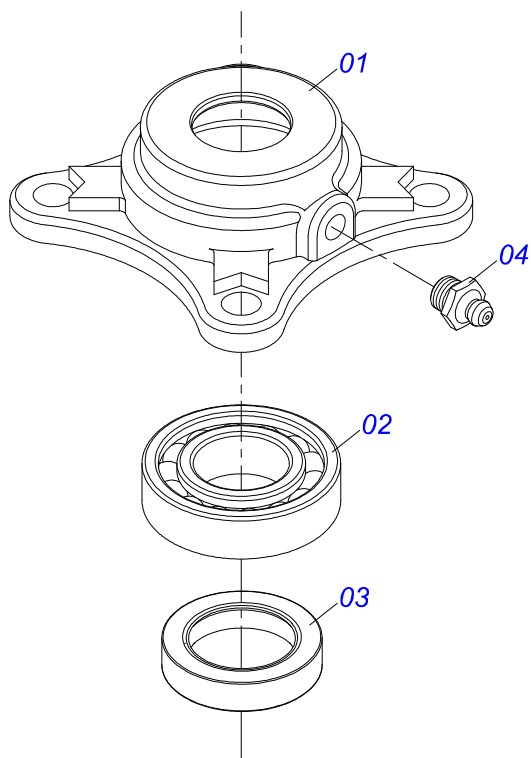


| Item | Code | Description | See page | QT |
|------|------------|-----------------|----------|----|
| 01 | 0503011162 | BALL BEARING | | 01 |
| 02 | 0503011146 | HOUSING BEARING | | 01 |
| 03 | 0503011099 | GREASE FITTING | | 01 |

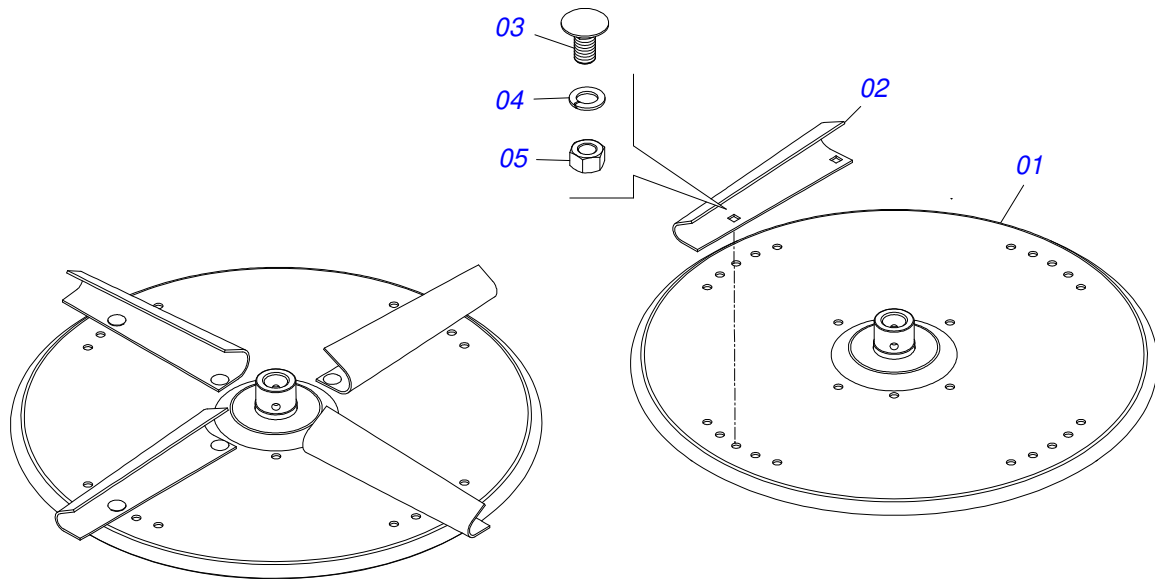
SUPPORT OF LEFT DISK



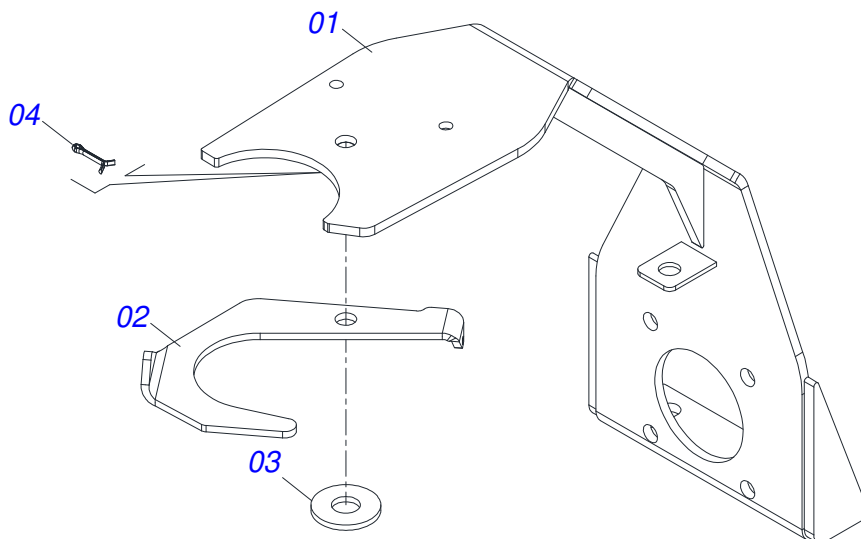
| Item | Code | Description | See page | QT |
|------|------------|----------------------------------|----------|----|
| 01 | 0511067430 | LEFT SUPPORT DISTRIBUTOR | | 01 |
| 02 | 0551010205 | DRIVER SHAFT DISTRIBUTOR DISK | | 01 |
| 03 | 0501048000 | AGRICULTURAL BEARING | 10 | 02 |
| 04 | 0503011102 | BOLT 7/16 UNC X 1.1/4 C S G.5 ZN | | 08 |
| 05 | 0503010244 | 7/16" NUT | | 08 |
| 06 | 0503011446 | SPRING WASHER | | 08 |
| 07 | 0501010536 | KEYWAY SQUARE | | 01 |
| 08 | 0502011361 | REEL 1C 5.5" X 1.1" PULLEY | | 01 |
| 09 | 0511014052 | FLAT WASHER | | 01 |
| 10 | 0503011443 | 3/8" SPRING WASHER | | 01 |
| 11 | 0503010237 | 3/8" X 1" BOLT | | 01 |



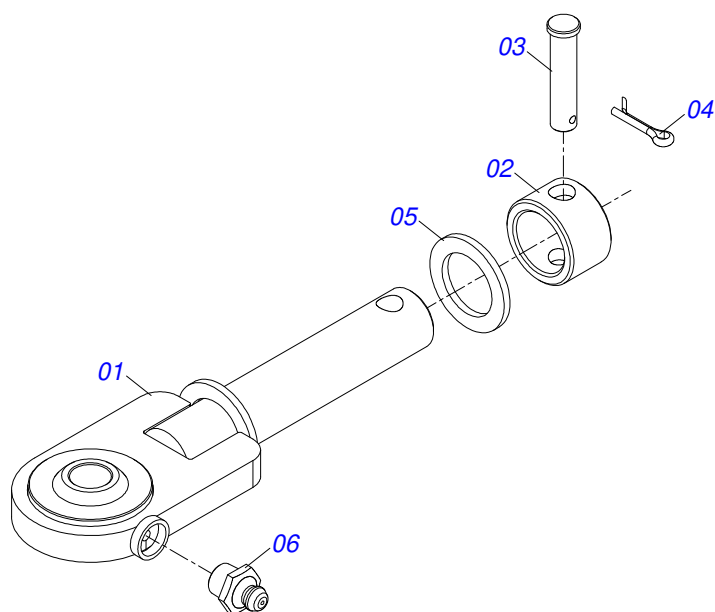
| Item | Code | Description | See page | QT |
|------|------------|------------------------------|----------|----|
| 01 | 0502011442 | AGRICULTURAL HOUSING BEARING | | 01 |
| 02 | 0503010276 | 6206 BALL BEARING | | 01 |
| 03 | 0503011865 | SEAL | | 01 |
| 04 | 0503010002 | 1800 GREASE FITTING | | 01 |



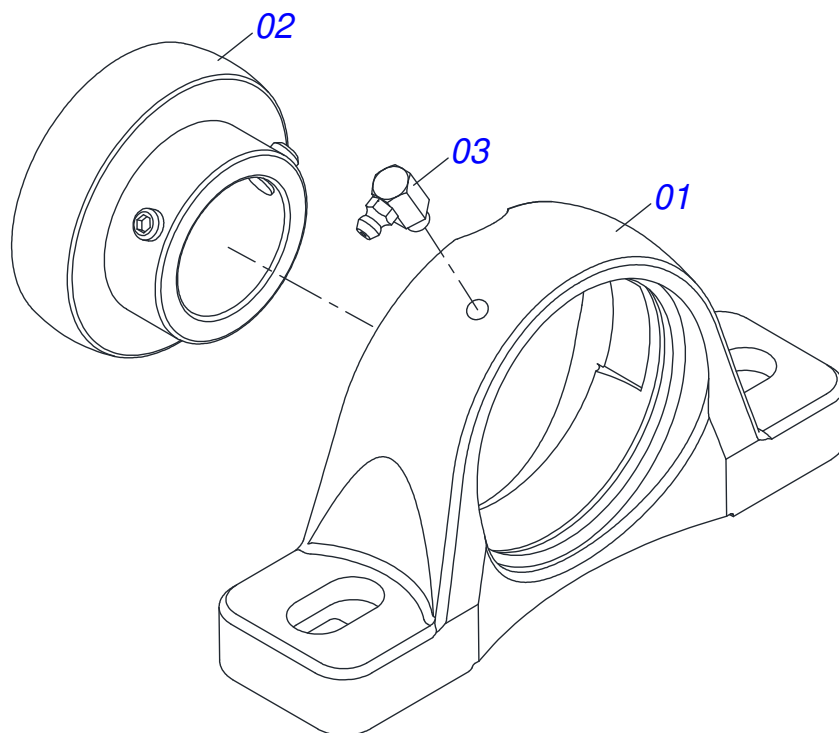
| Item | Code | Description | See page | QT |
|------|------------|--------------------|----------|----|
| 01 | 0511063411 | DISTRIBUTOR DISC | | 01 |
| 02 | 0531014344 | LH FLIP | | 04 |
| 03 | 0503013029 | 3/8" X 3/4" BOLT | | 08 |
| 04 | 0503011443 | 3/8" SPRING WASHER | | 08 |
| 05 | 0503010026 | 3/8" NUT | | 08 |



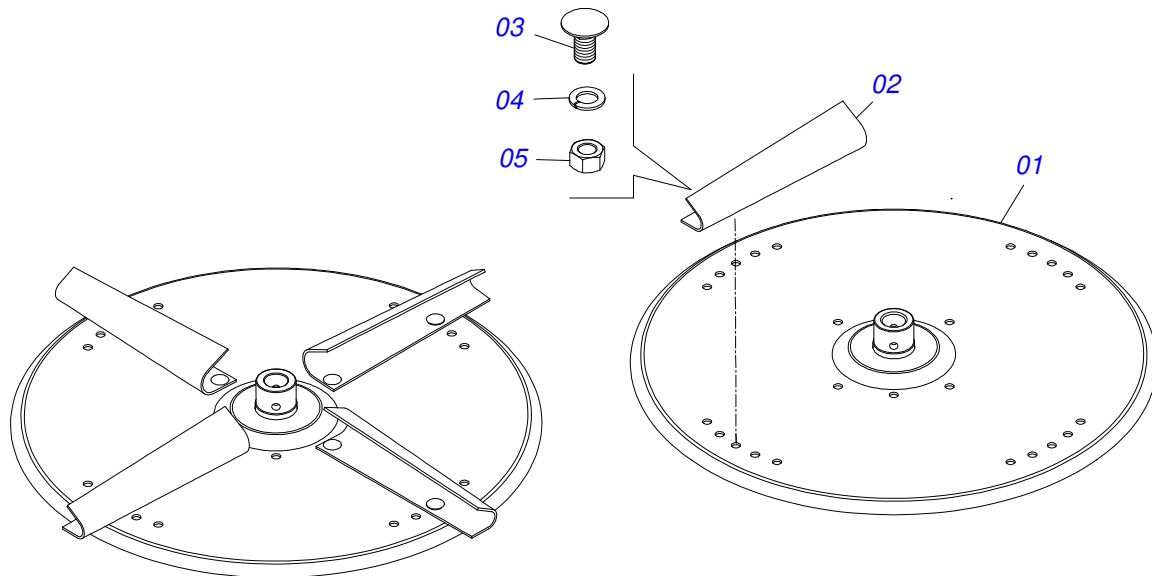
| Item | Code | Description | See page | QT |
|------|------------|------------------------------------|----------|----|
| 01 | 0521068817 | SUPPORT SUSTENANCE CARDAN | | 01 |
| 02 | 0511014066 | CARDAN SMALLE SUPPORT | | 01 |
| 03 | 0511017302 | FLAT WASHER 13,50 X 32,50 X 3,0 ZN | | 01 |
| 04 | 0503010257 | 1/8" X 1" COTTERPIN | | 01 |



| Item | Code | Description | See page | QT |
|------|------------|------------------------|----------|----|
| 01 | 0521068793 | TRACTOR TRACTOR | | 01 |
| 02 | 0521010681 | BUSHING COUPLING BODY | | 01 |
| 03 | 0521010639 | COUPLING SHAFT | | 01 |
| 04 | 0503010571 | 1/4" X 1.1/2 COTTERPIN | | 01 |
| 05 | 0501015875 | FLAT WASHER | | 01 |
| 06 | 0503010002 | 1800 GREASE FITTING | | 01 |

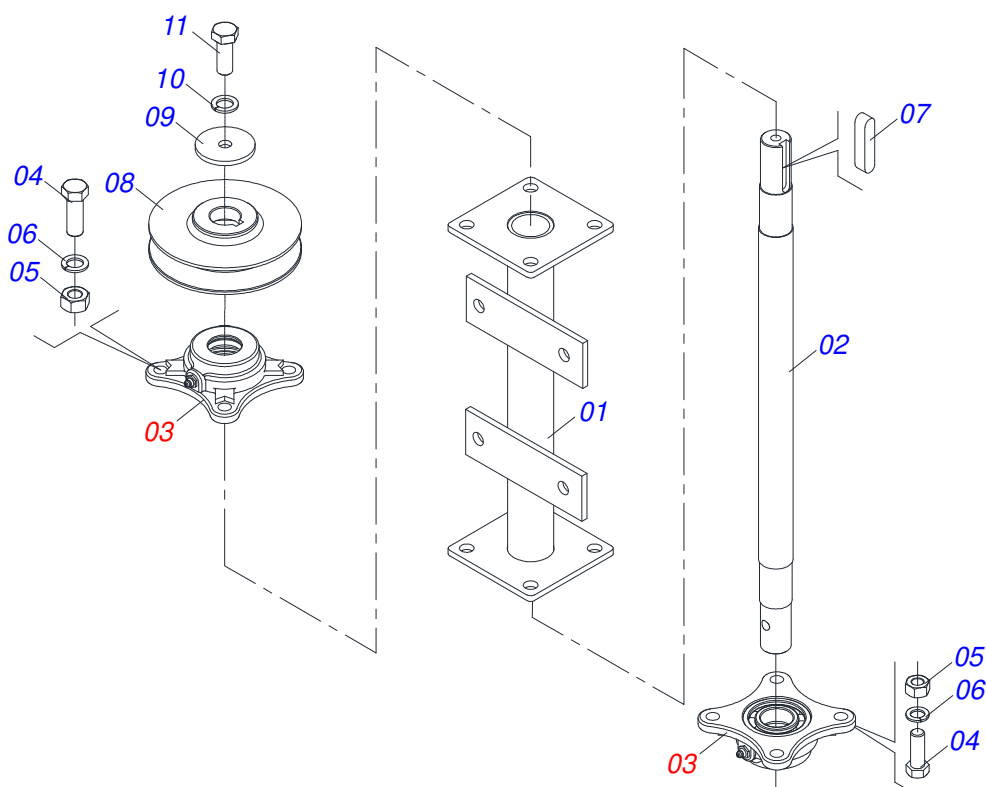


| Item | Code | Description | See page | QT |
|------|------------|------------------------------|----------|----|
| 01 | 0502011050 | AGRICULTURAL HOUSING BEARING | | 01 |
| 02 | 0503011163 | 1108/UCR BEARING ASSY | | 01 |
| 03 | 0503010004 | 1890 GREASE FITTING | | 01 |



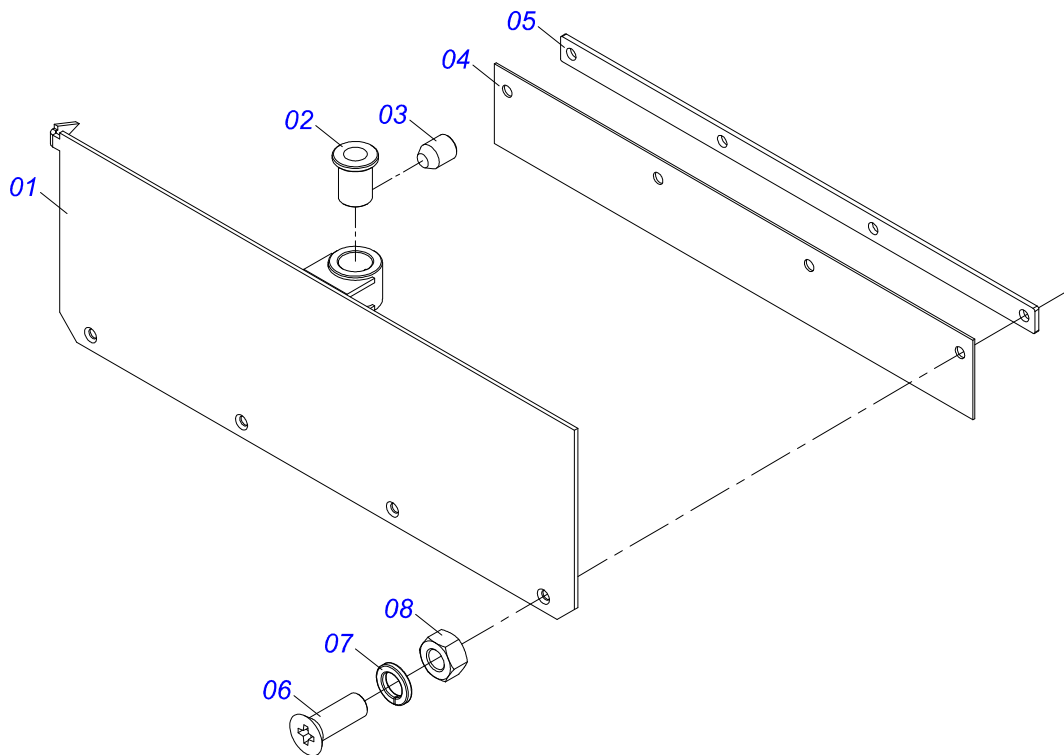
| Item | Code | Description | See page | QT |
|------|------------|--------------------|----------|----|
| 01 | 0511063411 | DISTRIBUTOR DISC | | 01 |
| 02 | 0531014343 | RH FLIP | | 04 |
| 03 | 0503013029 | 3/8" X 3/4" BOLT | | 08 |
| 04 | 0503011443 | 3/8" SPRING WASHER | | 08 |
| 05 | 0503010026 | 3/8" NUT | | 08 |

RIGHT DISK SUPPORT

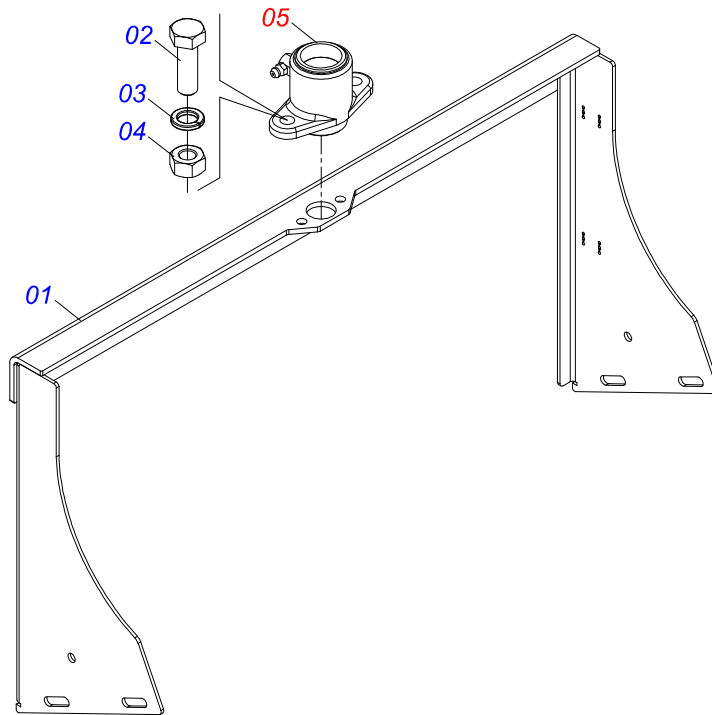


| Item | Code | Description | See page | QT |
|------|------------|----------------------------------|----------|----|
| 01 | 0511067429 | DISTRIBUTOR RIGHT SUPPORT | | 01 |
| 02 | 0551010205 | DRIVER SHAFT DISTRIBUTOR DISK | | 01 |
| 03 | 0501048000 | AGRICULTURAL BEARING | 10 | 02 |
| 04 | 0503011102 | BOLT 7/16 UNC X 1.1/4 C S G.5 ZN | | 08 |
| 05 | 0503010244 | 7/16" NUT | | 08 |
| 06 | 0503011446 | SPRING WASHER | | 08 |
| 07 | 0501010536 | KEYWAY SQUARE | | 01 |
| 08 | 0502011361 | REEL 1C 5.5" X 1.1" PULLEY | | 01 |
| 09 | 0511014052 | FLAT WASHER | | 01 |
| 10 | 0503011443 | 3/8" SPRING WASHER | | 01 |
| 11 | 0503010237 | 3/8" X 1" BOLT | | 01 |

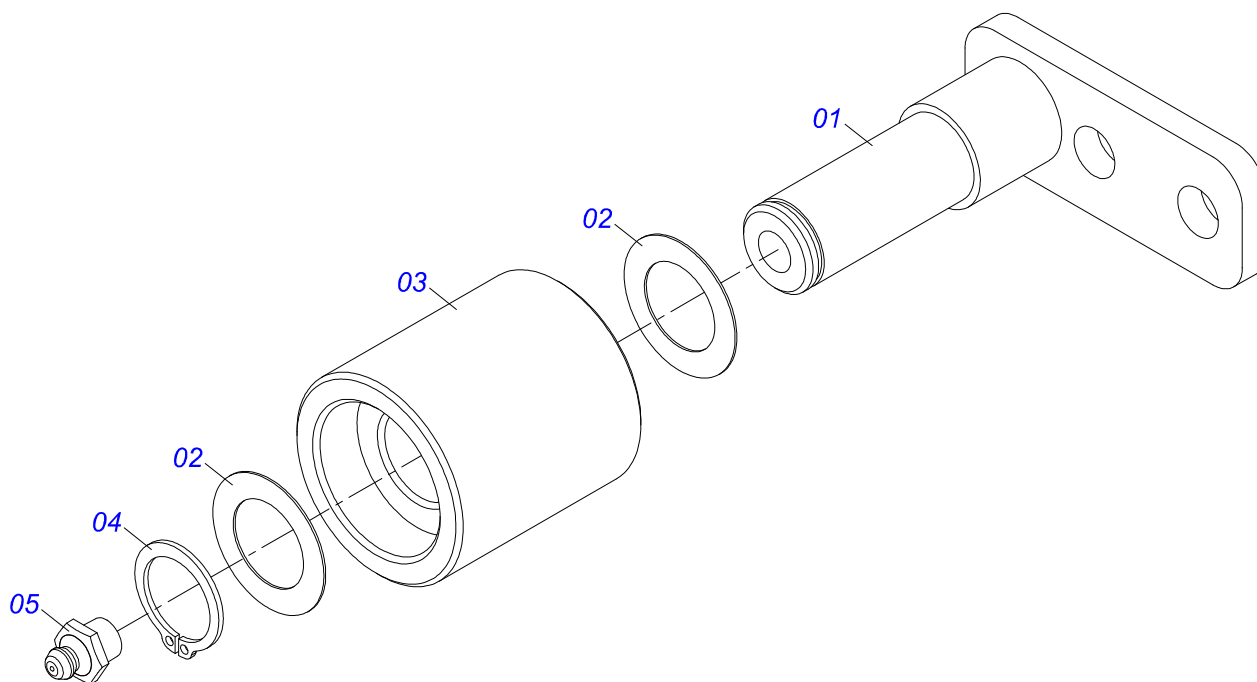
SLUICE VALVE COVER ASSY



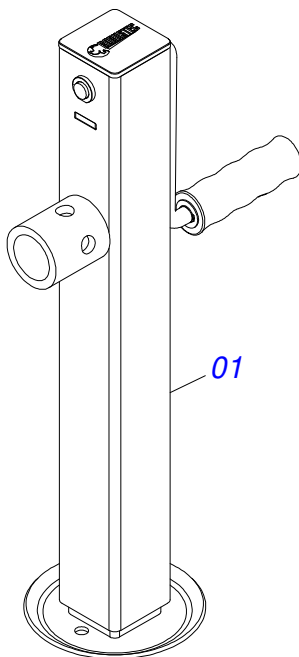
| Item | Code | Description | See page | QT |
|------|------------|-------------------------------------|----------|----|
| 01 | 0511063413 | SLUICE VALVE COVER | | 01 |
| 02 | 0501019831 | ADJUSTING NUT | | 01 |
| 03 | 0503011148 | 3/8" X 1/2" BOLT | | 01 |
| 04 | 0531014336 | 31.4"X3.1"X 0.1" PROTECTION SMALLER | | 01 |
| 05 | 0531014331 | SLUICE VALVE FIXER COVER | | 01 |
| 06 | 0503010546 | 5/16" X 7/8" BOLT | | 05 |
| 07 | 0503011444 | SPRING WASHER | | 05 |
| 08 | 0503010337 | 5/16" NUT | | 05 |



| Item | Code | Description | See page | QT |
|------|------------|------------------------------|----------|----|
| 01 | 0511063410 | SLUICE VALVE SUPPORT | | 01 |
| 02 | 0503010363 | BOLT 5/16 UNC X 1 C S G.2 ZN | | 02 |
| 03 | 0503011444 | SPRING WASHER | | 02 |
| 04 | 0503010337 | 5/16" NUT | | 02 |
| 05 | 0511059094 | SHAFT BEARING THREADED | | 01 |

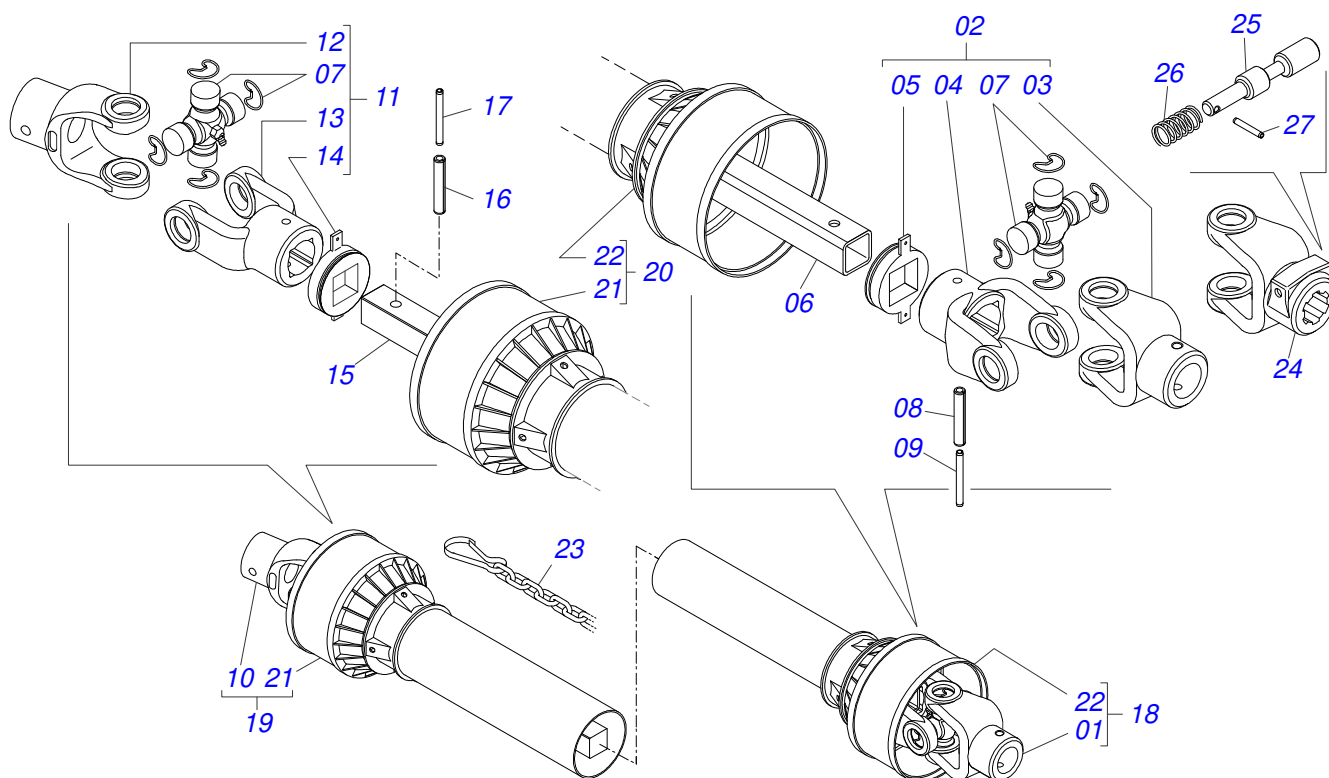


| Item | Code | Description | See page | QT |
|------|------------|---------------------|----------|----|
| 01 | 0501067692 | BELT TENSIONER BODY | | 01 |
| 02 | 0511015098 | FLAT WASHER | | 02 |
| 03 | 0511017041 | TENSIONER ROLD | | 01 |
| 04 | 0503010302 | 501019 SEAL RING | | 01 |
| 05 | 0503010002 | 1800 GREASE FITTING | | 01 |



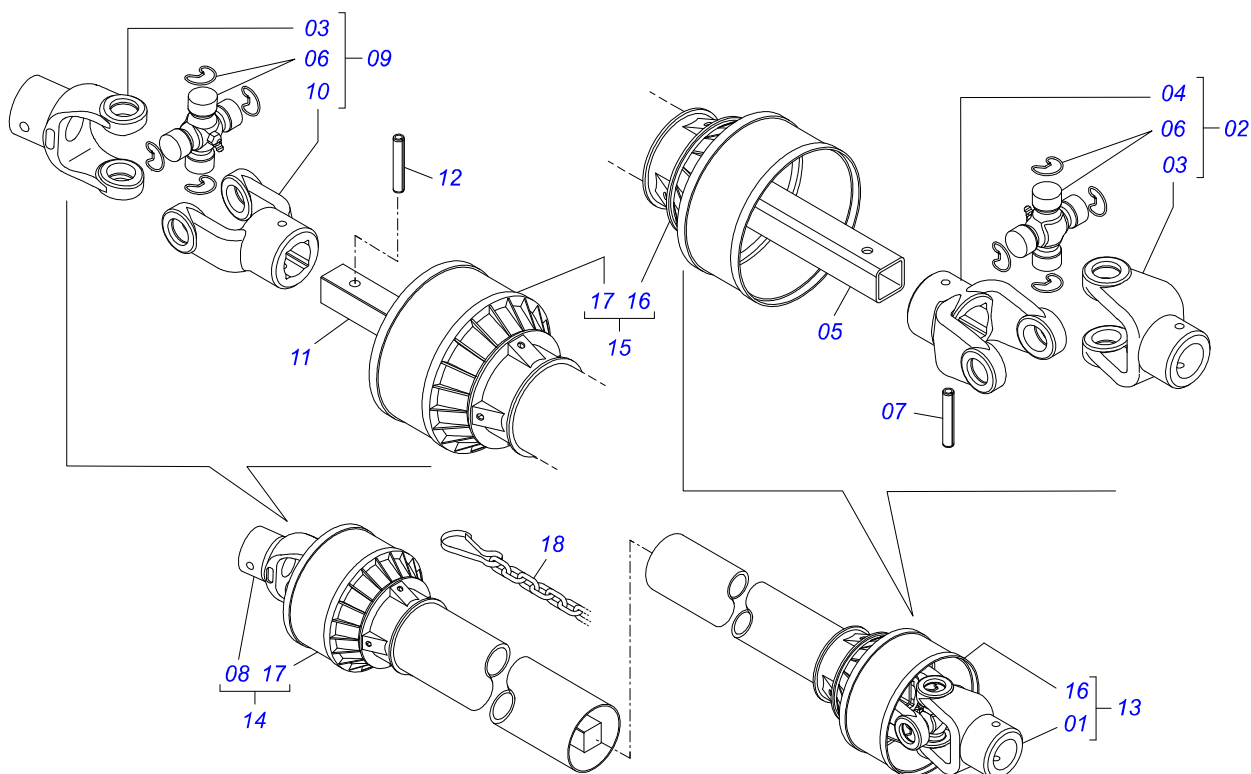
| Item | Code | Description | See page | QT |
|------|------------|--------------|----------|----|
| 01 | 0503062157 | DRAWBAR JACK | 20 | 01 |

DRIVE SHAFT

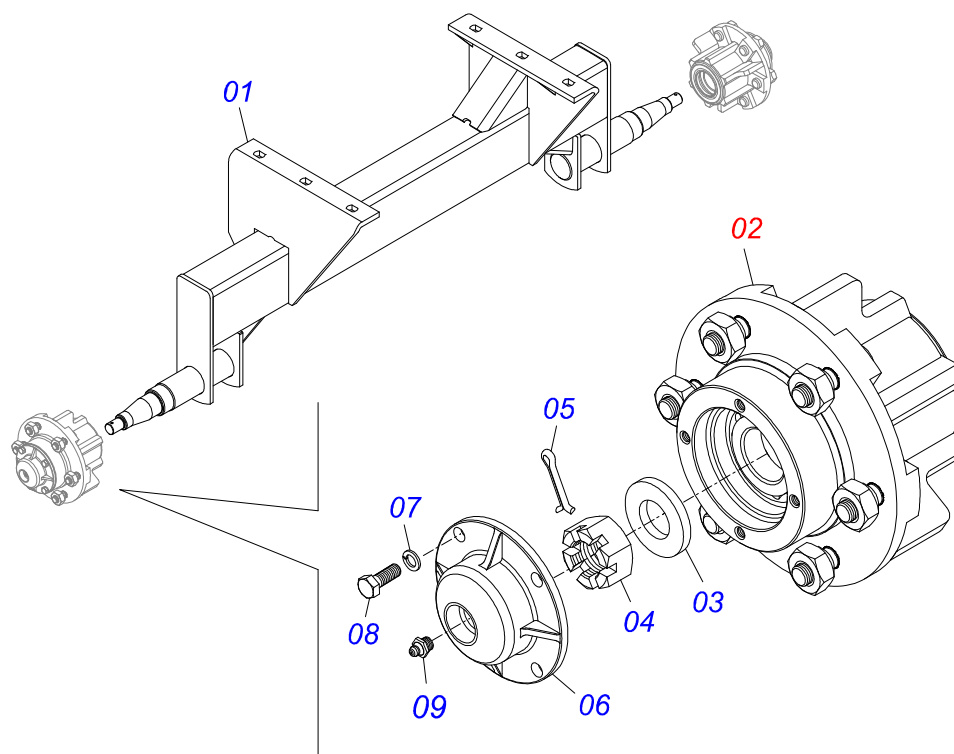


| Item | Code | Description | See page | QT |
|------|------------|------------------------------------|----------|----|
| 01 | 0501052176 | SLEEVE UNIVERSAL JOINT | 01 | 01 |
| 02 | 0501050265 | UNIVERSAL JOINT | 01 | 01 |
| 03 | 0501050333 | 1-40 TERMINAL WITH HITCH | 01 | 01 |
| 04 | 0502010565 | 2-40 TERMINAL WITH SH 1.5"/1.5" | 01 | 01 |
| 05 | 0503012069 | ADAPTER FOR BUSHING PROTECT | 01 | 01 |
| 06 | 0521013800 | 16" X 1.4" SQUARE SLEEVE | 01 | 01 |
| 07 | 0503010836 | CARDAN CROSSPIECE | 02 | 01 |
| 08 | 0503011069 | 0.4" X 2.8" SPRING PIN | 01 | 01 |
| 09 | 0503010510 | 0.2" X 2.6" SPRING PIN | 01 | 01 |
| 10 | 0501052177 | AXLE UNIVERSAL JOINT | 01 | 01 |
| 11 | 0501052178 | UNIVERSAL JOINT | 01 | 01 |
| 12 | 0502011611 | 9-40 TERMINAL | 01 | 01 |
| 13 | 0502010566 | 3-40 TERMINAL WITH SH 1.2"/1.2" | 01 | 01 |
| 14 | 0503012070 | ADAPTER FOR AXLE PROTECTION | 01 | 01 |
| 15 | 0521013801 | 1.2" X 15.7" SQUARE SHAFT | 01 | 01 |
| 16 | 0503010361 | SPRING PIN | 01 | 01 |
| 17 | 0503010756 | 0.2" X 2.4" SPRING PIN | 01 | 01 |
| 18 | 0501052179 | PROT/SLEEVE UNIVERSAL JOINT | 01 | 01 |
| 19 | 0501052180 | PROT/AXLE UNIVERSAL JOINT | 01 | 01 |
| 20 | 0503012277 | PROTECTION ASSY | 01 | 01 |
| 21 | 0503012279 | PROTECTION FOR UNIV JOINT AND AXLE | 01 | 01 |
| 22 | 0503012278 | PROTECTION FOR UNIV JOINT SLEEVE | 01 | 01 |
| 23 | 0503012023 | CHAIN FOR PROTECTION | 02 | 01 |
| 24 | 0502010563 | 1-40 STRIATED 1.3/8" TERMINAL | 01 | 01 |
| 25 | 0521010638 | 13,70 X 78 HITCH PIN | 01 | 01 |
| 26 | 0503030518 | 0.5"X1.0"X 0.1" COMPRESSION SPRING | 01 | 01 |
| 27 | 0503010838 | 0.1" X 0.8" SPRING PIN | 01 | 01 |

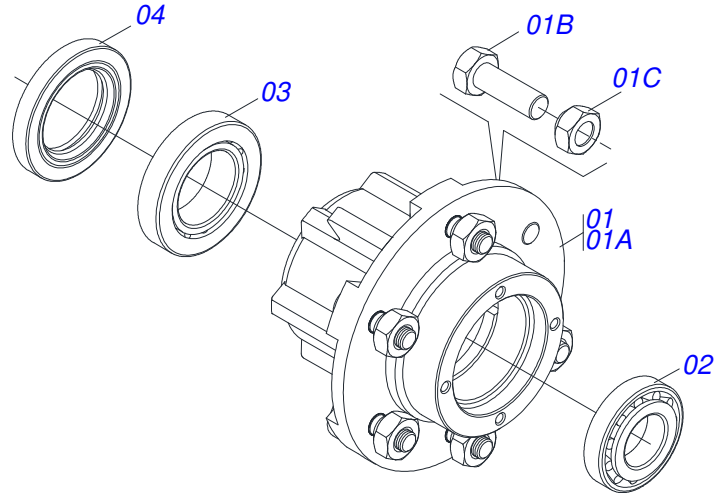
DRIVE SHAFT



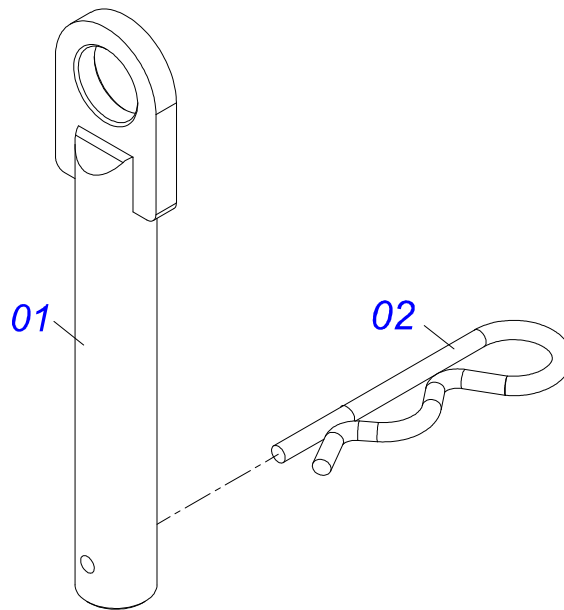
| Item | Code | Description | See page | QT |
|------|------------|------------------------------------|----------|----|
| 01 | 0501052160 | SLEEVE UNIVERSAL JOINT | | 01 |
| 02 | 0501051718 | UNIVERSAL JOINT | | 01 |
| 03 | 0502010558 | 4-20 TERMINAL WITH ROLES | | 02 |
| 04 | 0502011426 | 2-20 TERMINAL | | 01 |
| 05 | 0521013797 | 0.9"X1.1"X31.5" SQUARE SLEEVE | | 01 |
| 06 | 0503010835 | CARDAN CROSSPICE | | 02 |
| 07 | 0503010839 | 03"X 0.6" SPRING PIN | | 01 |
| 08 | 0501052161 | UNIVERSAL JOINT WITH AXLE | | 01 |
| 09 | 0501051720 | UNIVERSAL JOINT | | 01 |
| 10 | 0502011427 | 3-20 TERMINAL | | 01 |
| 11 | 0521013794 | 0.9" X 31.5 SQUARE SHAFT | | 01 |
| 12 | 0503010301 | 0.3" X 1.8" SPRING PIN | | 01 |
| 13 | 0501052162 | PROT/SLEEVE UNIVERSAL JOINT | | 01 |
| 14 | 0501052163 | PROT/AXLE UNIVERSAL JOINT | | 01 |
| 15 | 0503012268 | PROTECTION ASSY | | 01 |
| 16 | 0503012269 | PROTECTION FOR UNIV JOINT SLEEVE | | 01 |
| 17 | 0503012270 | PROTECTION FOR UNIV JOINT AND AXLE | | 01 |
| 18 | 0503012023 | CHAIN FOR PROTECTION | | 01 |



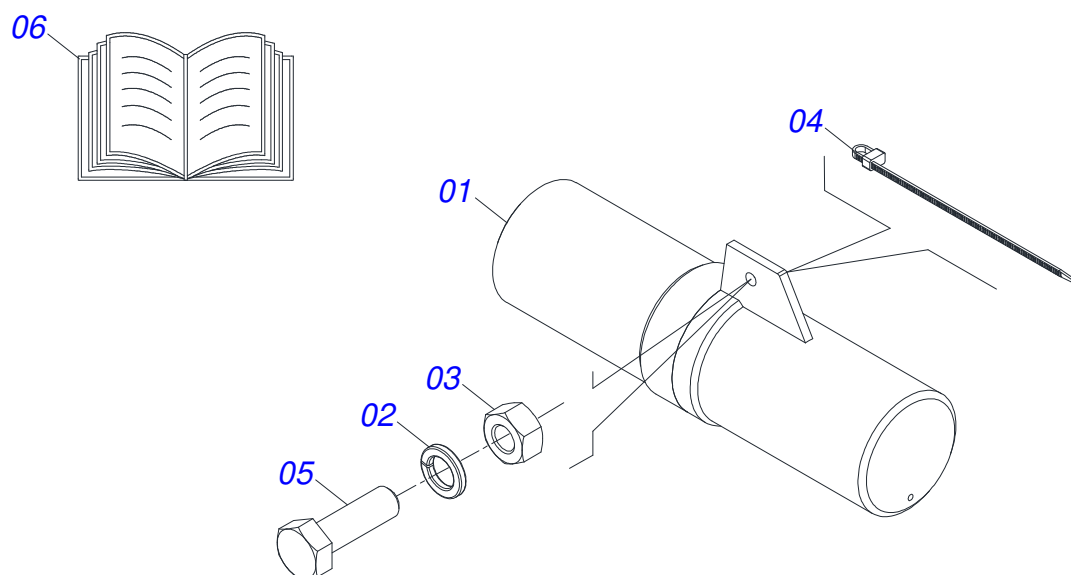
| Item | Code | Description | See page | QT |
|------|------------|-------------------------------|----------|----|
| 01 | 0511063812 | CARRYING-WHEELS SUPPORT FIXER | | 01 |
| 02 | 0501051142 | CARRYING WHEEL HUB | 24 | 02 |
| 03 | 0501016545 | FLAT WASHER | | 02 |
| 04 | 0503030009 | 1" CASTLE NUT | | 02 |
| 05 | 0503010131 | 3/16" X 1-1/2" COTTERPIN | | 02 |
| 06 | 0502020591 | PROTECCION COVER | | 02 |
| 07 | 0503011444 | SPRING WASHER | | 08 |
| 08 | 0503010178 | 5/16" X 7/8" BOLT | | 08 |
| 09 | 0503010002 | 1800 GREASE FITTING | | 02 |



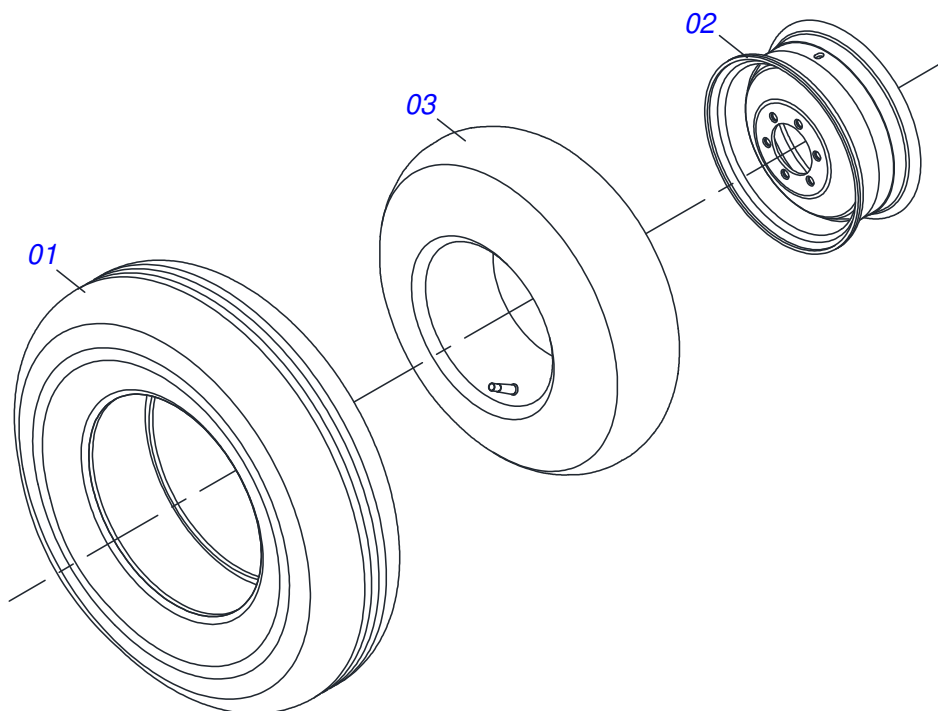
| Item | Code | Description | See page | QT |
|------|------------|-------------------------|----------|----|
| 01 | 0501110728 | WHEEL HUB | | 01 |
| 01A | 0502011121 | CARRYING WHEEL HUB | | 01 |
| 01B | 0501010127 | 9/16" X 1-7/8" LUG BOLT | | 06 |
| 01C | 0503010035 | 9/16" CONIC NUT | | 06 |
| 02 | 0503010037 | 30207 ROLLER BEARING | | 01 |
| 03 | 0503010006 | 32210 ROLLER BEARING | | 01 |
| 04 | 0503012928 | SEAL | | 01 |



| Item | Code | Description | See page | QT |
|------|------------|----------------|----------|----|
| 01 | 0501068989 | COUPLING SHAFT | | 01 |
| 03 | 0503031035 | HITCH PIN CLIP | | 01 |



| Item | Code | Description | See page | QT |
|------|------------|------------------------------|----------|----|
| 01 | 0503060100 | INSTRUCTIONS MANUAL CANISTER | | 01 |
| 02 | 0503010179 | LOCK WASHER 5/16 ZN 1K01528 | | 01 |
| 03 | 0503010337 | 5/16" NUT | | 01 |
| 04 | 0503010267 | NYLON CLAMP | | 01 |
| 05 | 0503010363 | BOLT 5/16 UNC X 1 C S G.2 ZN | | 01 |
| 06 | 0501036432 | CAT BAG / MANUAL | | 01 |



| Item | Code | Description | See page | QT |
|------|------------|---|----------|----|
| 01 | 0503010120 | CANVAS TIRE | | 01 |
| 02 | 0521062708 | WHEEL 5,50 X 16 X 118 X 6F 16,50 X 152,40 | | 01 |
| 03 | 0503010033 | 7.50 X 16 INNER TIRE | | 01 |



ANNOTATION





MARCHESAN

Technical Publications | Elaboration and Revision

LORENA ROCHA ALVES

www.marchesan.com.br

