

OFFSET DISK HARROW

**GCRO 7012 - 2.1/8" AXLE - HYDRAULIC
ARTICULATED - 50D**

Code: 0501093198
Series: S-0220
Revision: 00
Date Revision: JUNHO/2022

**PARTS
CATALOGUE**



MARCHESAN



PRODUCTS

Code	Description
0102560340	GCRO 7012 50X32X9,0 DR DM HID E 2.1/8 ESP S-0220
0102560341	GCRO 7012 50X32X9,0 DR DM HID E 2.1/8 ESP S-0220

ATTENTION: IMPORTANT

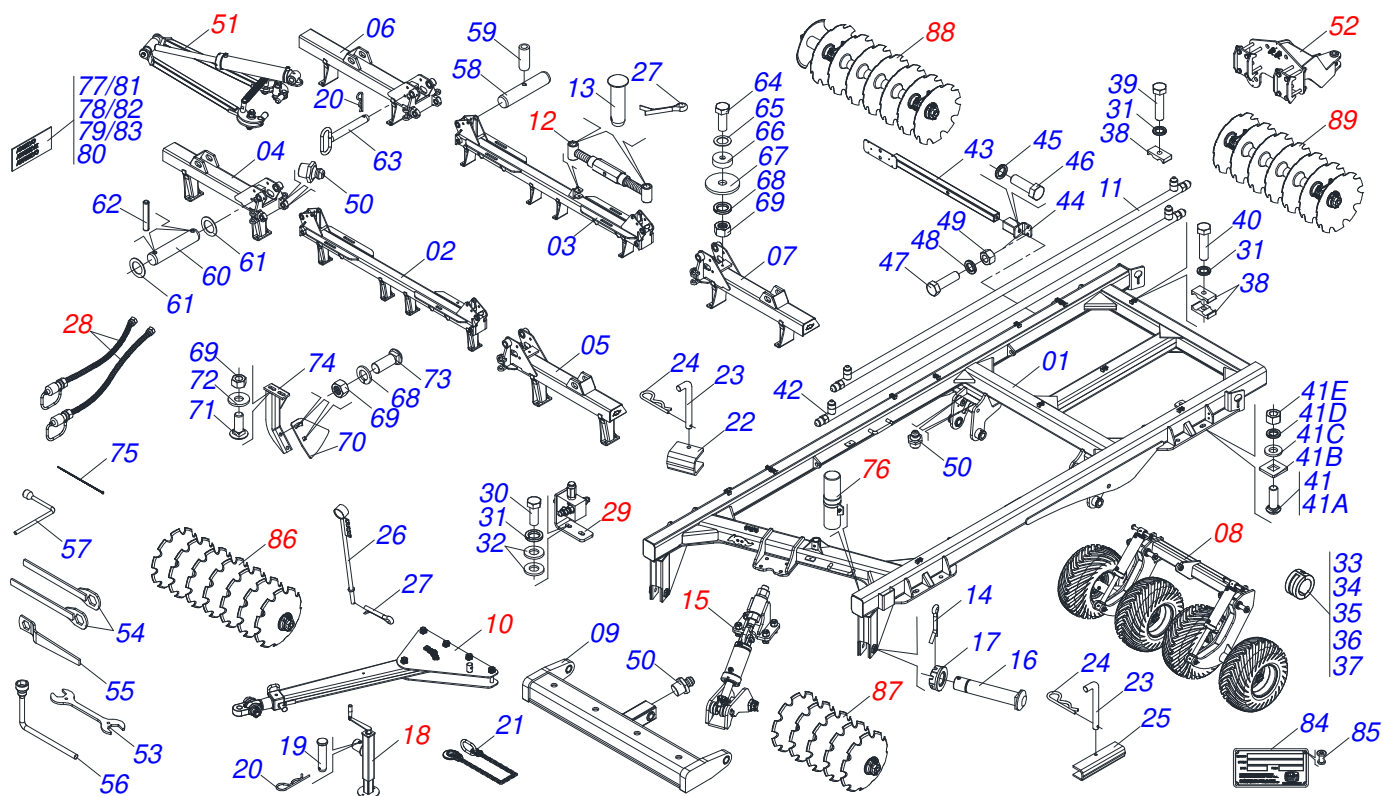
Marchesan S.A. reserves the right to improve and/or modify the technical features of its products, without obligation to do the same with those products already sold and without prior knowledge of the dealer or the consumer. The photos are only illustrative.



MARCHESAN

INDEX

0909096381	ASSY FRAME - 50D	1
0909096382	WHEEL SYSTEM (04 TIRES)	2
0501056467	STUB SHAFT & HUB ASSY	3
0521051832	HYDRAULIC CYLINDER 53,98 X 114,30 X 654 X 346	4
0521041823	ASSY TRACTION BAR (PIN 3)	5
0531040171	ASSY HITCH	6
0501052005	STABILIZER FOR GANG	7
0909093462	HEAD ARTICULATED ASSY	8
0521046001	50,80 X 101,60 X 410 X 107 HYDRAULIC CILINDER	9
0511048088	DRAWBAR JACK	10
0909096387	FRAMES ARTICULATION HYDRAULIC CIRCUIT	11
0511059197	HYDRAULIC CYLINDER 76,20 X 114,30 X 1085 X 715	12
0501053835	FEMALE QUICK COUPLER	13
0501053834	MALE QUICK COUPLER	14
0909096393	WHEEL LIFTING HYDRAULIC CIRCUIT	15
0511059196	VALVE ASSY	16
0909096384	ARTICULATOR ASSEMBLY	17
0511050181	LH FRONT/RH REAR ARTICULACION	18
0511050182	RH FRONT/LH REAR ARTICULACION	19
0909092741	REAR COUPLING KIT	20
0521052964	MANUAL DOOR ASSY INSTRUCTION	21
0909096394	FRONT RIGHT/LEFT SIDE DISCS SECTION	22
0909096395	FRONT/REAR CENTRAL DISCS SECTION	23
0909096396	REAR RIGHT SIDE DISCS SECTION	24
0909096397	REAR LEFT SIDE DISCS SECTION	25
0521044243	BEARING WITH PROTECTION CASE	26



Item	Code	Description	See page	QT
01	0521066477	FRAME		001
02	0531060811	3300 FRONT CENTRAL FRAME		001
03	0531060810	3300 REAR CENTRAL FRAME		001
04	0521066944	LEFT CENTRAL REAR FRAME - 56D		001
05	0521066947	LEFT SIDE REAR FRAME - 56D		001
06	0531060813	RIGHT SIDE REAR FRAME		001
07	0531060812	LEFT SIDE REAR FRAME		001
08	0909096382	WHEEL SYSTEM (04 TIRES)	2	001
09	0521066494	HITCH BAR		001
10	0521041823	ASSY TRACTION BAR (PIN 3)	5	001
11	0521066126	DISTRIBUTOR OIL TUBE		002
12	0501052005	STABILIZER FOR GANG	7	001
13	0521010546	1.2" X 5.7" COUPLING SHAFT		002
14	0503010010	1/4" X 2.1/2" COTTERPIN		002
15	0909093462	HEAD ARTICULATED ASSY	8	001
16	0531018100	37,50 X 200 COUPLING SHAFT		002
17	0501011301	1.1/2 UNC 6FPP 2.5/16 NUT		002
18	0511048088	DRAWBAR JACK	10	001
19	0561014251	COUPLING SHAFT		001
20	0503030012	HITCH PIN CLIP		005
21	0503013150	1300 X 3/8 CHAIN		001
22	0581010751	TRANSPORT LOCK		001
23	0541016844	FIXER LOCK		003
24	0503030285	HITCH PIN CLIP		003
25	0561016693	TRANSPORT LOCK		002
26	0531061120	HOSE SUPPORT		001
27	0503010523	1/4" X 2" COTTERPIN		003
28	0909096387	FRAMES ARTICULATION HYDRAULIC CIRCUIT	11	001
28.	0909096393	WHEEL LIFTING HYDRAULIC CIRCUIT	15	001
29	0511059196	VALVE ASSY	16	001
30	0503011173	7/16" X 2" BOLT		002



ASSY FRAME - 50D

0909096381

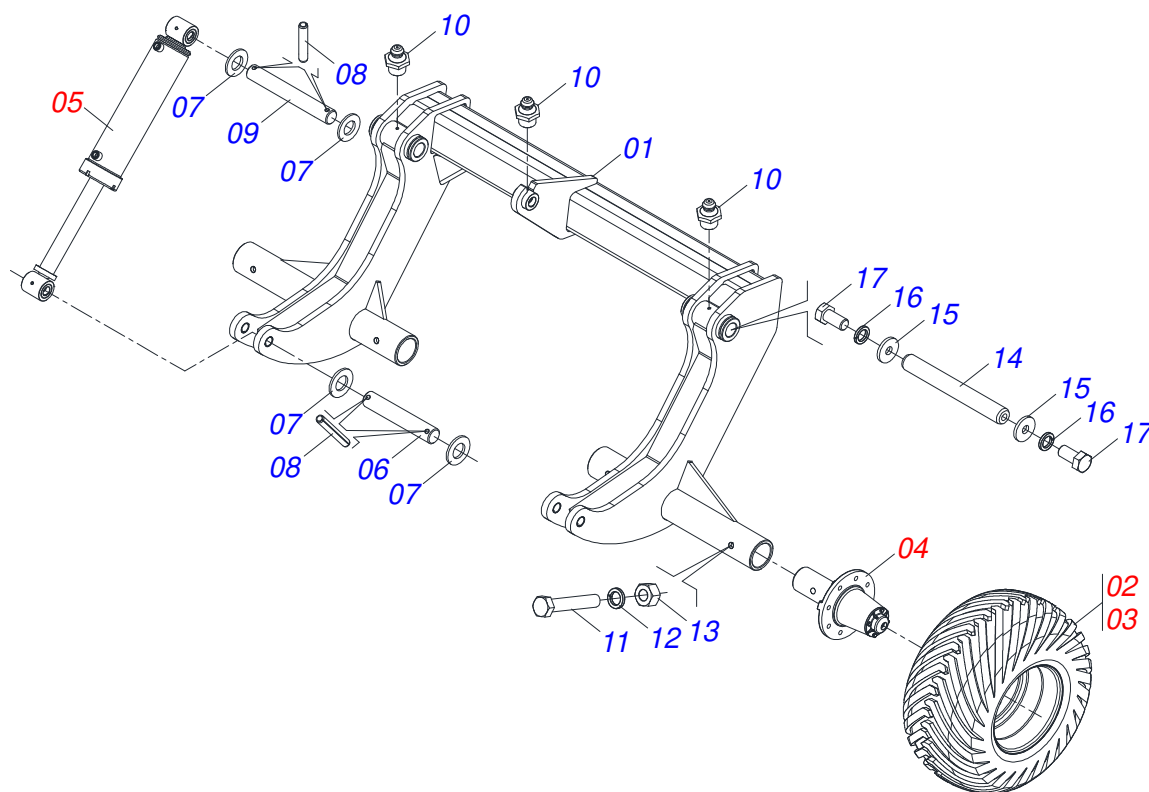
Item	Code	Description	See page	QT
31	0503010180	7/16" SPRING WASHER		016
32	0501012803	FLAT WASHER		004
33	0501047895	ROD STOP		006
34	0501047885	ROD STOP		003
35	0501047886	ROD STOP		003
36	0501047887	ROD STOP		003
37	0501047888	ROD STOP		003
38	0502010477	HOSE CLAMP		018
39	0503011135	BOLT		012
40	0503011103	7/16" X 2-1/2" BOLT		002
41	0501041102	1-1/4" X 3-3/4" ASSY BOLT		008
41A	0501015348	1-1/4" X 3-3/4" BOLT		008
41B	0501010953	1-1/4" SQUARE WASHER		008
41C	0531010713	FLAT WASHER		008
41D	0503010070	SPRING WASHER		008
41E	0501010087	1.1/4" NUT		008
42	0521066937	DUCT DISTRIBUTOR OF OIL		002
43	0521068684	LANTERN FIXING SUPPORT		002
44	0521066624	FIXER SUPPORT LANTERN		002
45	0503010023	3/4" SPRING WASHER		012
46	0501010098	3/4" UNC BOLT		002
47	0503011082	C1/2" X 1.3/4" SCREW		004
48	0503010019	1/2" SPRING WASHER		004
49	0503010060	1/2" NUT		004
50	0503010002	1800 GREASE FITTING		031
51	0909096384	ARTICULATOR ASSEMBLY	17	001
52	0909092741	REAR COUPLING KIT	20	001
53	0541015451	FIXED KEY 2.3/8 X 2.3/4		001
54	0501061044	2-1/8" AND 2-1/2" CABLE FLAT WRENCH		002
55	0501011432	1-1/2" AND 1-5/8 GANG BOLT WRENCH		001
56	0503016137	1-1/4" WRENCH CABLE CYLINDER		001
57	0503015723	WRENCH WRENCH CYLINDRICAL 7/8		001
58	0541016676	1.1/2 X 175 AXLE		004
59	0503013662	1/2" X 1" BOLT		004
60	0521011720	2.0" X 15.7" COUPLING SHAFT		004
61	0511019776	FLAT WASHER		008
62	0503011069	0.4" X 2.8" SPRING PIN		008
63	0501069463	1" X 8" LOCK PIN		004
64	0503010233	5/8" X 2-1/2" BOLT		004
65	0571010265	16.5 X 40 X 3 FLAT WASHER		004
66	0581011153	FRAME BEAT		004
67	0571013284	17.5 X 90 X 4.75 FLAT WASHER		004
68	0503010027	5/8" SPRING WASHER		106
69	0503010013	5/8" NUT		208
70	0561014263	CLEANER SHOVEL		051
71	0503012699	BOLT 5/8NC X 2 CAPQ G.5 ZN 1K20548		102
72	0501012140	FLAT WASHER		102
73	0503012195	5/8" NUT		102
74	0521061053	CLEANER SUPPORT		051
75	0503013100	NYLON CLAMP		010
76	0521052964	MANUAL DOOR ASSY INSTRUCTION	21	001
77	0503031087	ADHESIVE LABEL		001
78	0503031738	ADHESIVE LABEL		001
79	0503031739	ADHESIVE LABEL		001
80	0503031827	LUBRICATE AND RETIGHTEN DAILY DECAL		001
81	0503031896	DANGER DECAL		001
82	0503033944	GCRO 7012 ADHESIVE LABEL		002
83	0503035340	ADHESIVE LABEL LOGO TATU		002
84	0503034003	SERIAL NUMBER TAG 61 X 118		001



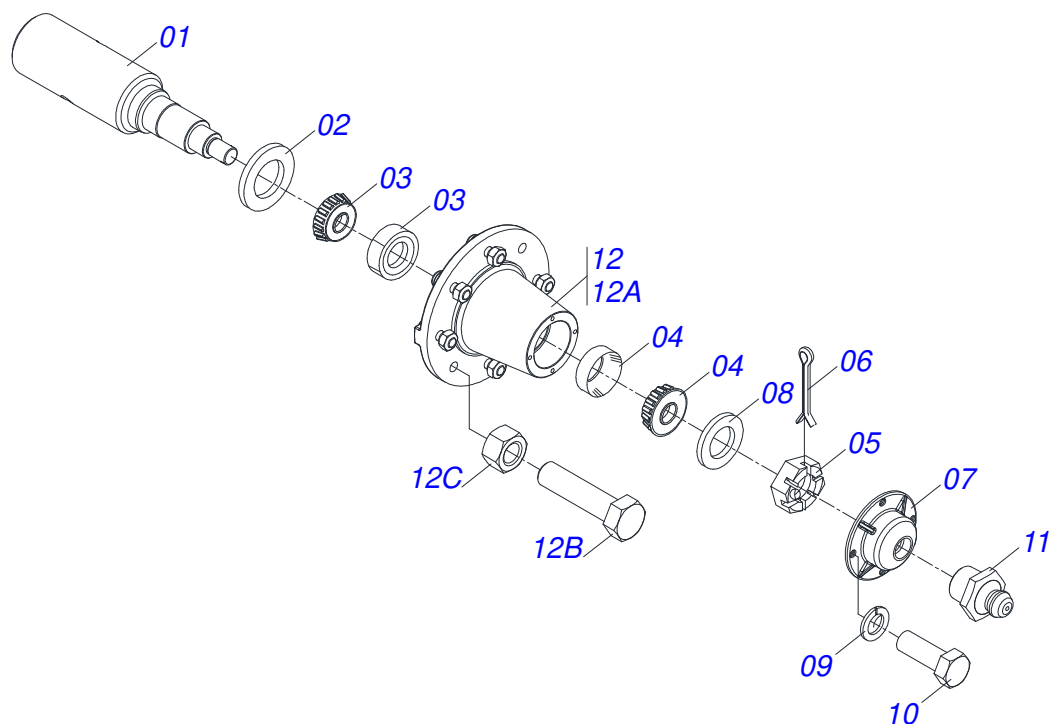
GCRO 7012 - 2.1/8" AXLE - HYDRAULIC ARTICULATED - 50D
ASSY FRAME - 50D

0909096381

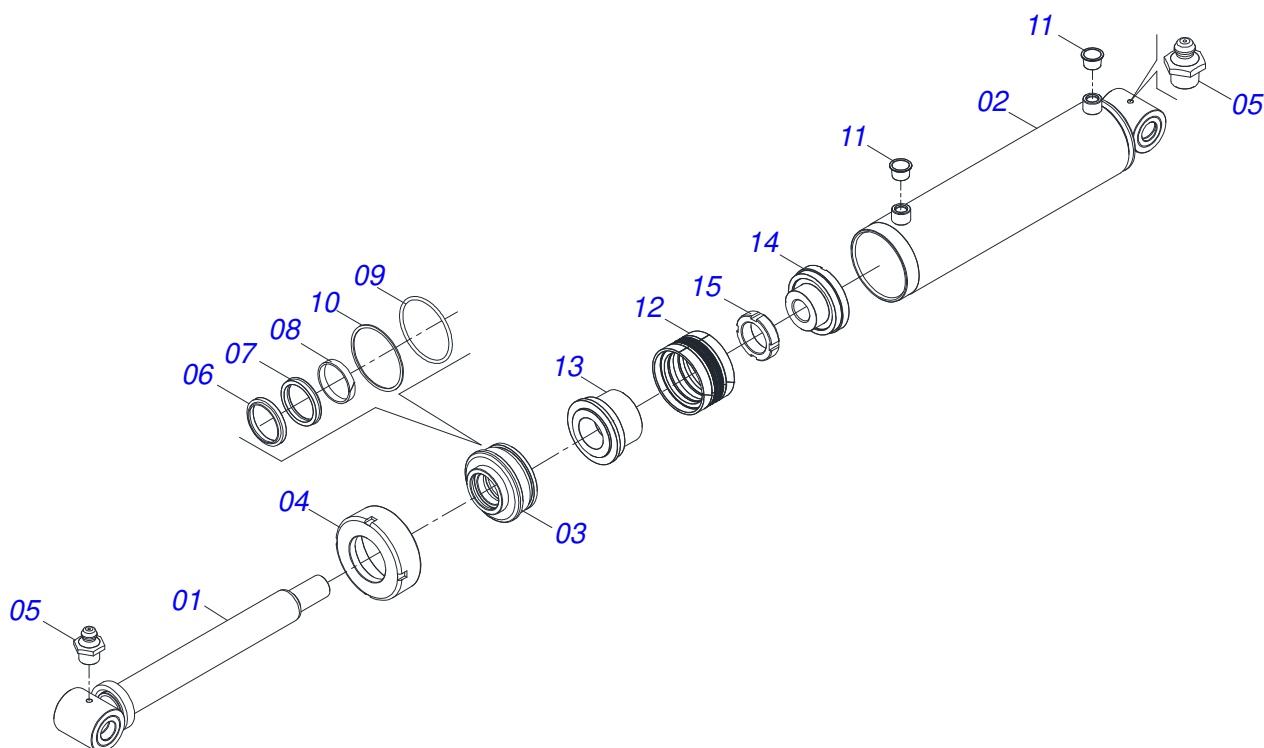
Item	Code	Description	See page	QT
85	0503010001	3.2 X 5.5 RIVET		004
86	0909096394	FRONT RIGHT/LEFT SIDE DISCS SECTION	22	001
87	0909096395	FRONT/REAR CENTRAL DISCS SECTION	23	001
88	0909096396	REAR RIGHT SIDE DISCS SECTION	24	001
89	0909096397	REAR LEFT SIDE DISCS SECTION	25	001



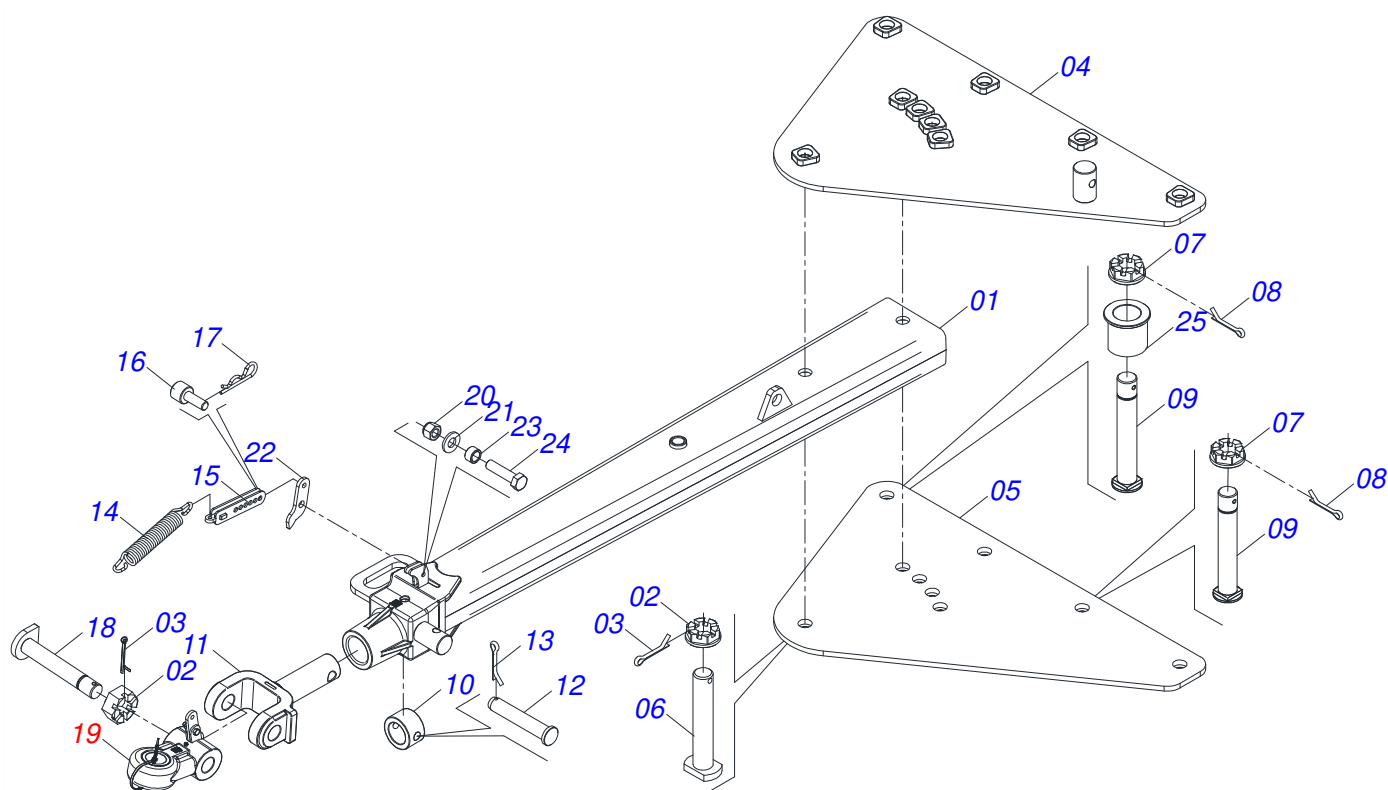
Item	Code	Description	See page	QT
01	0521066478	CARRYNG-WHEELS		01
02	0503060102	WHEEL AND TIRE		02
03	0503063403	WHEEL WITH TIRE 400/60 - 14L LEFT		02
04	0501056467	STUB SHAFT & HUB ASSY	3	04
05	0521051832	HYDRAULIC CYLINDER 53,98 X 114,30 X 654 X 346	4	02
06	0531018101	1.2" X 6.3" PIVOT SHAFT		02
07	0501017779	32 X 60 X 4.75 FLAT WASHER		08
08	0503011877	0.3" X 2.4" SPRING PIN		08
09	0531018105	1.2" X 11.8" PIVOT SHAFT		02
10	0503010002	1800 GREASE FITTING		03
11	0503011198	C3/4" X 6" SCREW		04
12	0503010023	3/4" SPRING WASHER		04
13	0503010014	3/4" NUT		04
14	0531018062	COUPLING SHAFT		02
15	0521011565	FLAT WASHER		04
16	0503010012	1" SPRING WASHER		04
17	0503011250	1" X 2" BOLT		04



Item	Code	Description	See page	QT
01	0541016566	POINT AXIS 3.1/2 X 375		01
02	0503013314	RETAINER 5166-GB 63,5 X 110 X 13 ARCA		01
03	0503015290	3780/3720 ROLLER BEARING		01
04	0503014821	ROLLER BEARING		01
05	0503830009	1" X 0.9" CASTLE NUT		01
06	0503010018	5/32 X 1-1/2 COTTERPIN		01
07	0502020591	PROTECCION COVER		01
08	0511812492	FLAT WASHER		01
09	0503011444	SPRING WASHER		04
10	0503810358	5/16" X 7/8" UNC BOLT		04
11	0503010002	1800 GREASE FITTING		01
12	0501110738	CARRYING WHEEL HUB		01
12A	0502012260	TRANSPORT WHEEL BOX		01
12B	0501010186	WHEEL SCREW 5/8UNF X 2.1/8CR		08
12C	0503010064	5/8 UNF CONIC NUT		08

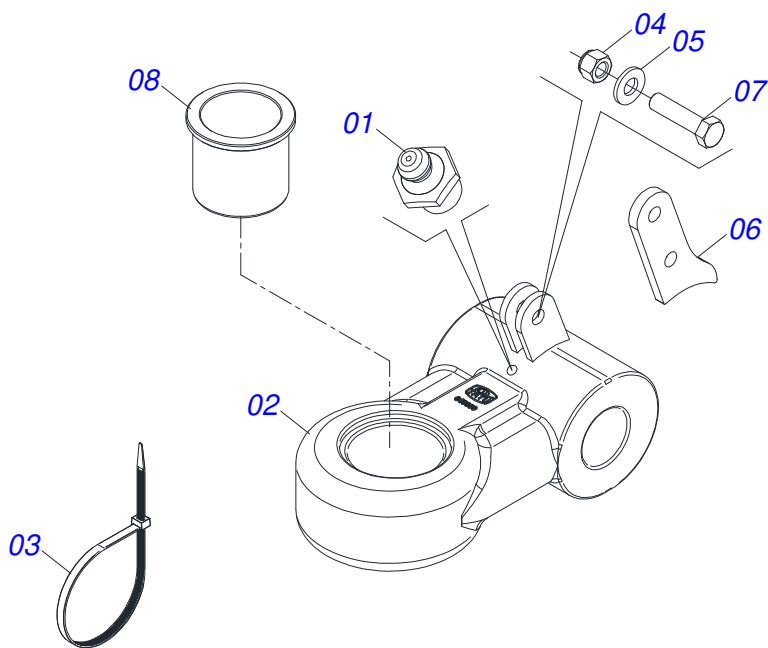


Item	Code	Description	See page	QT
01	0521061684	56,98 X 590,50 TURNBUCKLE		01
02	0521061685	114,30 X 500 CYLINDER CASE		01
03	0502012644	RING SUPPORT		01
04	0502011222	0.56" END CAP		01
05	0503010002	1800 GREASE FITTING		02
06	0503015715	SCRAPER SEALING		01
07	0503015642	U-CUP SEALING		01
08	0503015641	WEAR RING		00
09	0503011892	O' RING, 2-346 N 3006-9B		01
10	0503011893	BACK-UP RING, 8-346		01
11	0503030384	CON PLUG N-001		02
12	0503015640	SEALING SELEMASTER		01
13	0561016578	PISTON BODY		01
14	0581015283	BODY		01
15	0503819100	SCREW		01
16	0511034304	HYDRAULIC CYLINDER REPAIR KIT (0521051832)		01

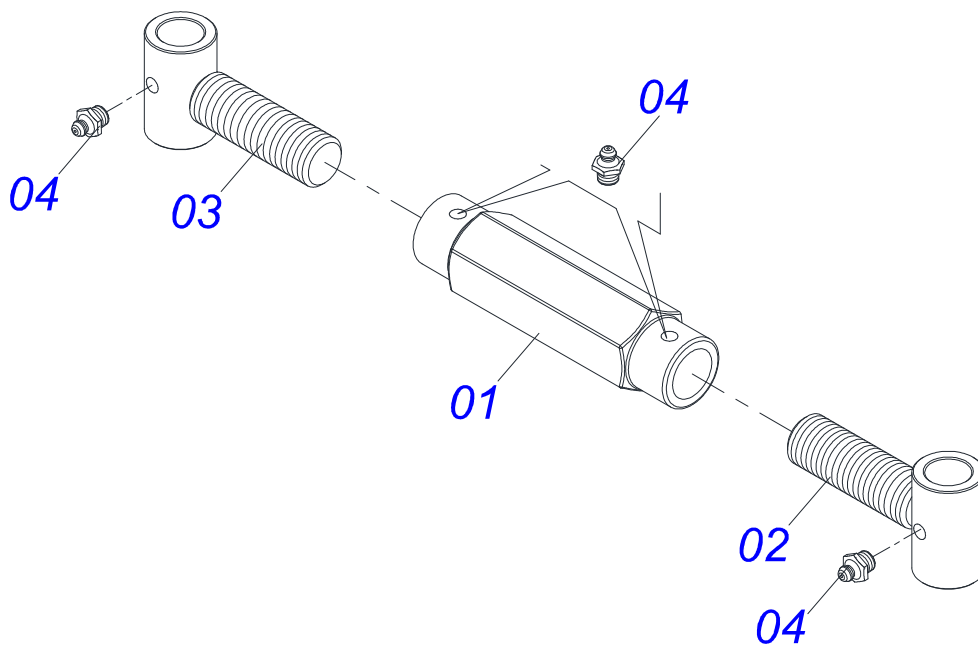


Item	Code	Description	See page	QT
01	0521068249	BAR TRACTION (AXLE 2)		01
02	0502040558	2" CASTLE NUT		02
03	0503010074	3/8 X 0,15" COTTERPIN		02
04	0521068246	UPPER PLATE (AXLE 2)		01
05	0521068247	LOWER PLATE (AXLE 2)		01
06	0521068248	SHAFT JUNCTION WITH LOCK (50,80 X 273)		01
07	0501811301	CASTLE NUT		05
08	0503010010	1/4" X 2.1/2" COTTERPIN		05
09	0521811880	37,50 X 230 X PQ R.1/2 JUNCTION AXLE		05
10	0502040263	ANEL TRAVA ENGATE		01
11	1902040897	TRACTOR HITCH		01
12	0561017306	COUPLING SHAFT		01
13	0503010523	1/4" X 2" COTTERPIN		01
14	0503031741	1.8" X 11.4" 0.3" TRACTION SPRING		01
15	0531061607	SPRING REGULATOR		01
16	0591014558	SPRING REGULATOR FIXER AXLE		01
17	0503030285	HITCH PIN CLIP		01
18	0531061122	AXIS ARTICULATOR		01
19	0531040171	ASSY HITCH	6	01
20	0503010589	1/2" UNC SELF ADJUSTING NUT		01
21	0501010937	13,50 X 28 X 3,00 FLAT WASHER		01
22	0591014554	REAR EAR FIXING SPRING		01
23	0591014552	SLEEVE		01
24	0503010740	BOLT 1/2 UNC X 2 CS G.5 ZN		01
25	0591013086	SLEEVE		01

ASSY HITCH

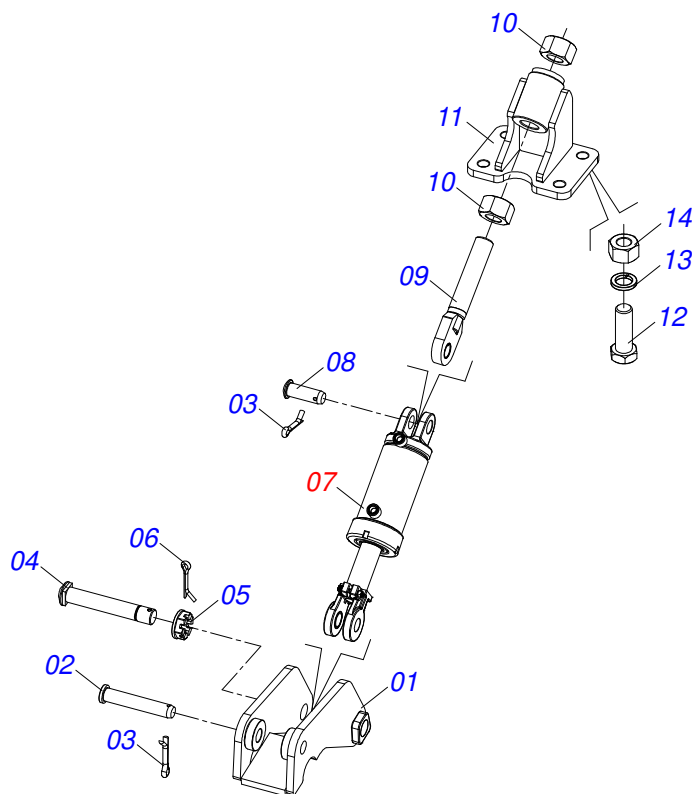


Item	Code	Description	See page	QT
01	0503010002	1800 GREASE FITTING		01
02	0531061121	HITCH		01
03	0503018829	NYLON CLAMP		01
04	0503010589	1/2" UNC SELF ADJUSTING NUT		01
05	0501010937	13,50 X 28 X 3,00 FLAT WASHER		01
06	0591014555	FRONT EAR FIXING SPRING		01
07	0503010740	BOLT 1/2 UNC X 2 CS G.5 ZN		01
08	0591013448	SLEEVE		01

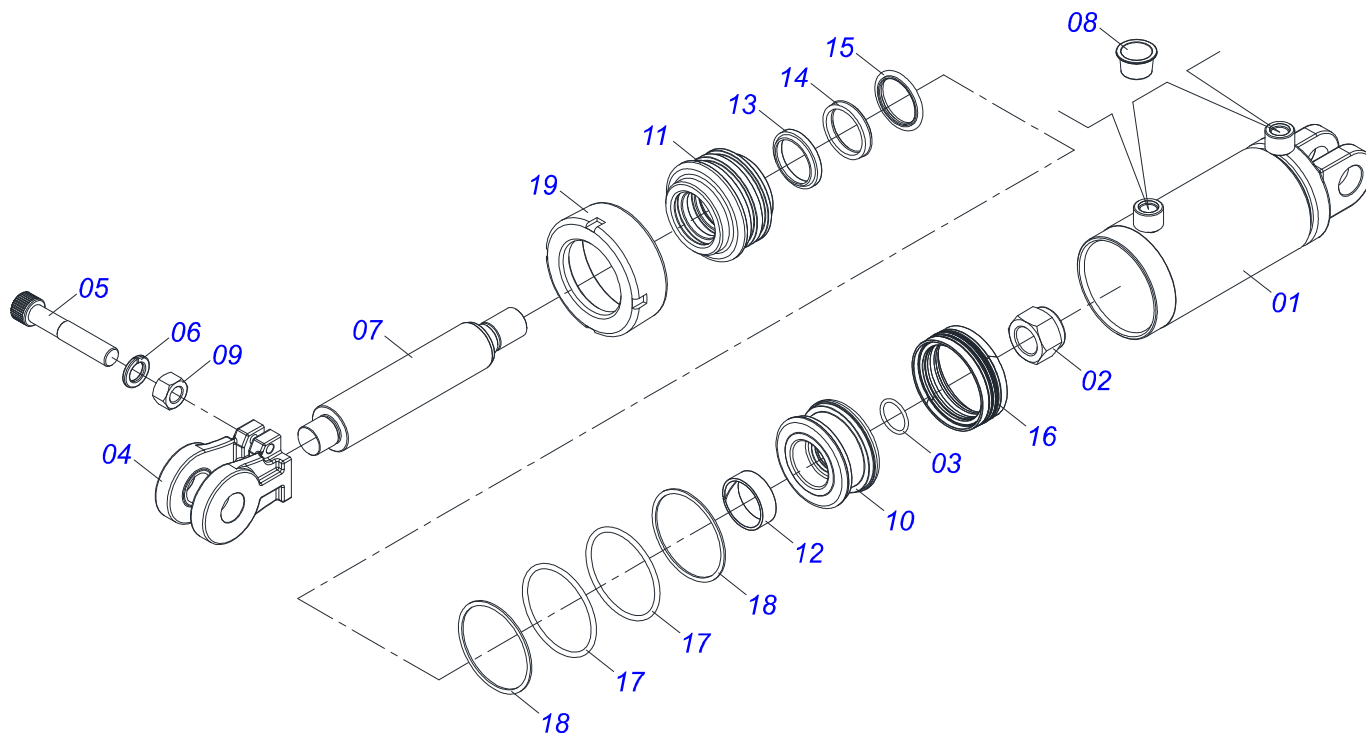


Item	Code	Description	See page	QT
01	0502011469	245 ADJUSTMENT NUT		01
02	0501069416	JACKET		01
03	0501069417	JACK CRANK		01
04	0503010002	1800 GREASE FITTING		04

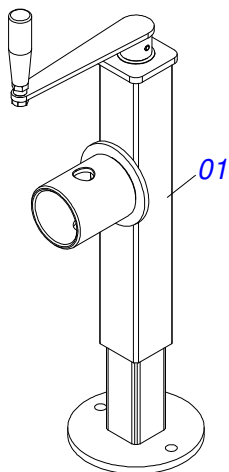
HEAD ARTICULATED ASSY



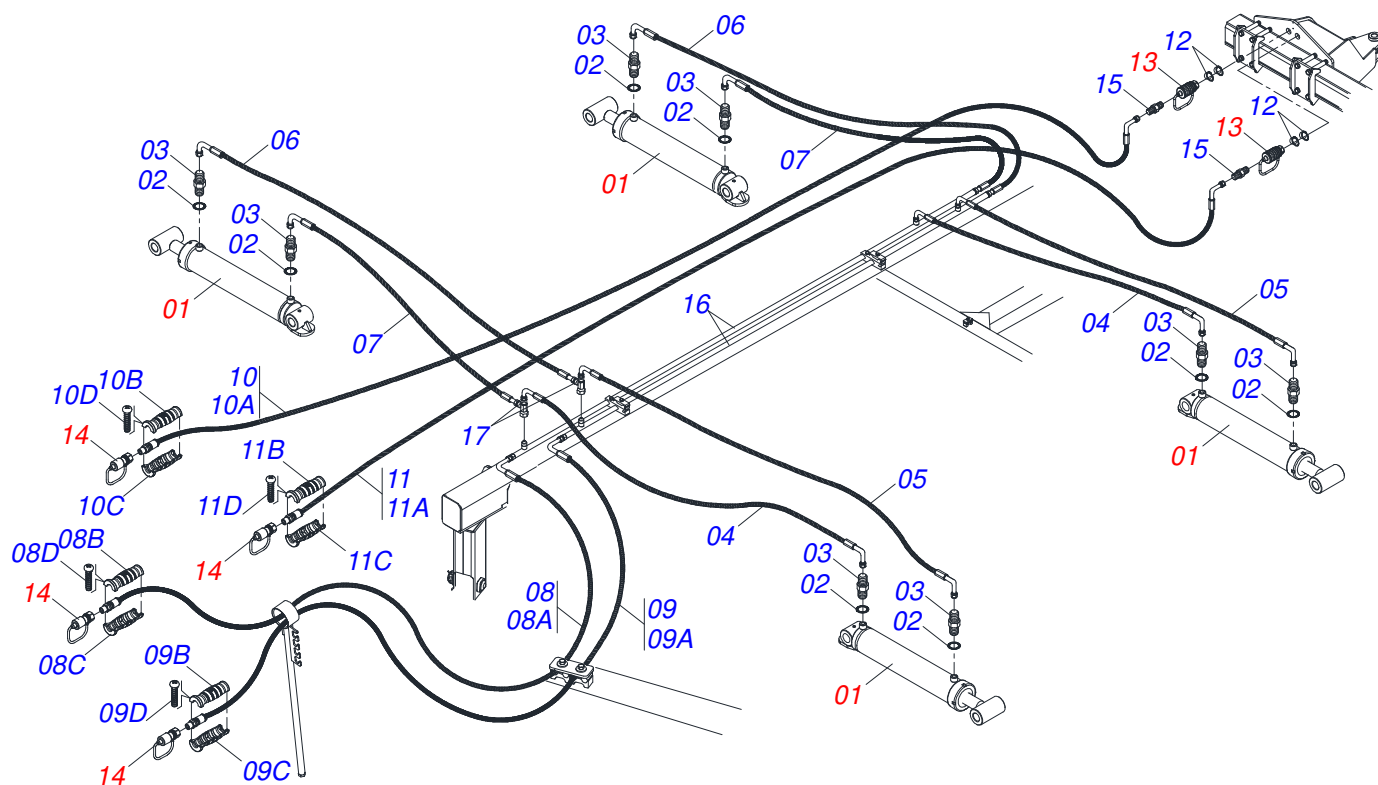
Item	Code	Description	See page	QT
01	0511064656	DRAWBAR PIVOT		01
02	0531019171	1.25" X 7" COUPLING SHAFT		01
03	0503010523	1/4" X 2" COTTERPIN		02
04	0521812053	1.5" X 8.6" AXLE		01
05	0501011301	1.1/2 UNC 6FPP 2.5/16 NUT		01
06	0503010010	1/4" X 2.1/2" COTTERPIN		01
07	0521046001	50,80 X 101,60 X 410 X 107 HYDRAULIC CILINDER	9	01
08	0521012538	1.2" X 3.5" COUPLING SHAFT		01
09	0511064433	REGULATOR SPINDLE 1-3/4		01
10	0501010333	1.3/4" NUT		02
11	0521066580	CYLINDER FIXER		01
12	0501010276	BOLT		04
13	0503010012	1" SPRING WASHER		04
14	0501010059	1.5/8 NUT		04



Item	Code	Description	See page	QT
01	0521066575	101,60 X 298 CYLINDER CASE		01
02	0503010817	1.1/4" SELF LOCKING NUT		01
03	0503018029	2-217 O'RING		01
04	0502040747	32.54 CLEVIS CLAMP		01
05	0503011094	3/8" X 2" BOLT		01
06	0503011443	3/8" SPRING WASHER		01
07	0581010749	50,80 X 294 TURNBUCKLE		01
08	0503030384	CON PLUG N-001		02
09	0503010026	3/8" NUT		01
10	0502012820	50.80 X 101.60 PISTON		01
11	0502012821	50.80 X 101.60 RING SUPPORT		01
12	0503018025	RING GUIDE		01
13	0503010039	D-2000 SCRAPER RING		01
14	0503018026	1870-2000-375 B GASKET		01
15	0503018024	RING BS		01
16	0503015633	SELEMASTER SEALING		01
17	0503010338	2-342 N 3006-9B O'RING		02
18	0503011061	8-342 BACK-UP RING		02
19	0502012822	101.60 END CAP		01



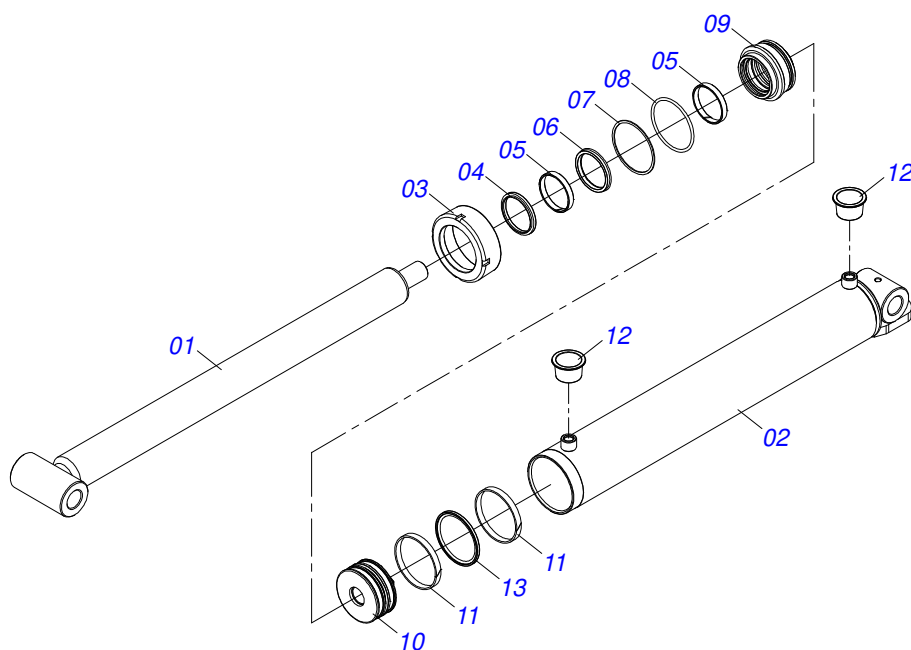
Item	Code	Description	See page	QT
01	0503062227	DRAWBAR JACK		01



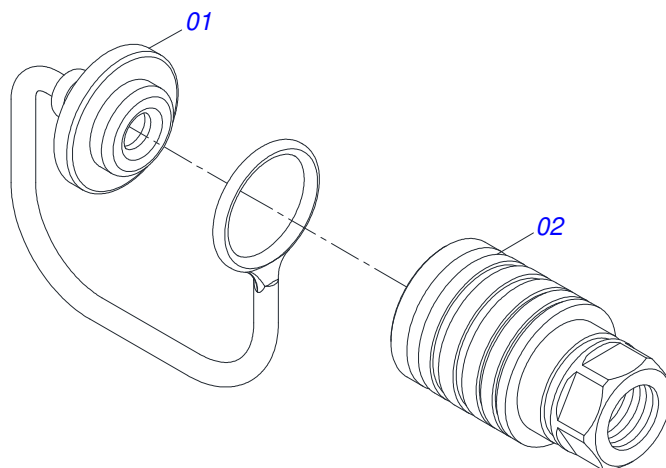
Item	Code	Description	See page	QT
01	0511059197	HYDRAULIC CYLINDER 76,20 X 114,30 X 1085 X 715	12	04
02	0503010190	2-114 N 3006-9B O'RING		08
03	0501010617	3/4" NIPPLE		08
04	0501080749	3/8" X 141" TC-TC HOSE ASSY		02
05	0501080751	3/8" X 4200 TC-TC HOSE		02
06	0501080412	3/8" X 90.55" TR-TC HOSE		02
07	0501080461	3/8 X 1800 TR-TC HOSE		02
08	0521052945	HOSE 3/8 X 6100 TC-TM BROWN / RED		01
08A	0501080850	3/8" X 6100 TC-TM HOSE		01
08B	0503034490	HYDRAULIC HOSE GRIP (BROWN)		01
08C	0503034495	HYDRAULIC HOSE GRIP (RED)		01
08D	0503018952	PLASTIC BOLT		06
09	0521052944	HOSE 3/8 X 6100 TC-TM BROWN/BLUE		01
09A	0501080850	3/8" X 6100 TC-TM HOSE		01
09B	0503034490	HYDRAULIC HOSE GRIP (BROWN)		01
09C	0503034494	HYDRAULIC HOSE GRIP (BLUE)		01
09D	0503018952	PLASTIC BOLT		06
10	0521052946	HOSE 3/8 X 11500 TC-TM GRAY/RED		01
10A	0501081322	3/8" X 11500 TC-TM HOSE		01
10B	0503034489	HYDRAULIC HOSE GAUNTLET (GRAY)		01
10C	0503034495	HYDRAULIC HOSE GRIP (RED)		01
10D	0503018952	PLASTIC BOLT		06
11	0521052947	HOSE 3/8 X 11500 TC-TM GRAY/BLUE		01
11A	0501081322	3/8" X 11500 TC-TM HOSE		01
11B	0503034489	HYDRAULIC HOSE GAUNTLET (GRAY)		01
11C	0503034495	HYDRAULIC HOSE GRIP (RED)		01
11D	0503018952	PLASTIC BOLT		06
12	0503010217	501040 CLAMPING RING (FOR AXLE)		04
13	0501053835	FEMALE QUICK COUPLER	13	02
14	0501053834	MALE QUICK COUPLER	14	04
15	0571015342	3/4" NIPPLE		02



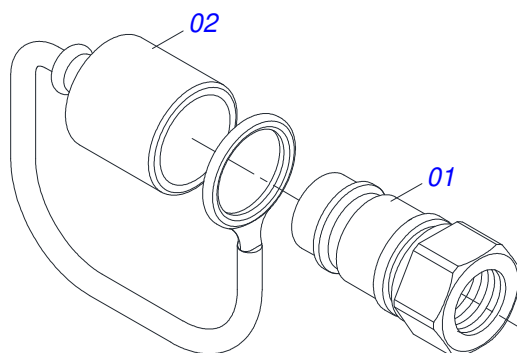
Item	Code	Description	See page	QT
16	0521066126	DISTRIBUTOR OIL TUBE		02
17	0503011968	3/4" 8R6X-S T ADAPTER WITH SWIVEL NUT		02



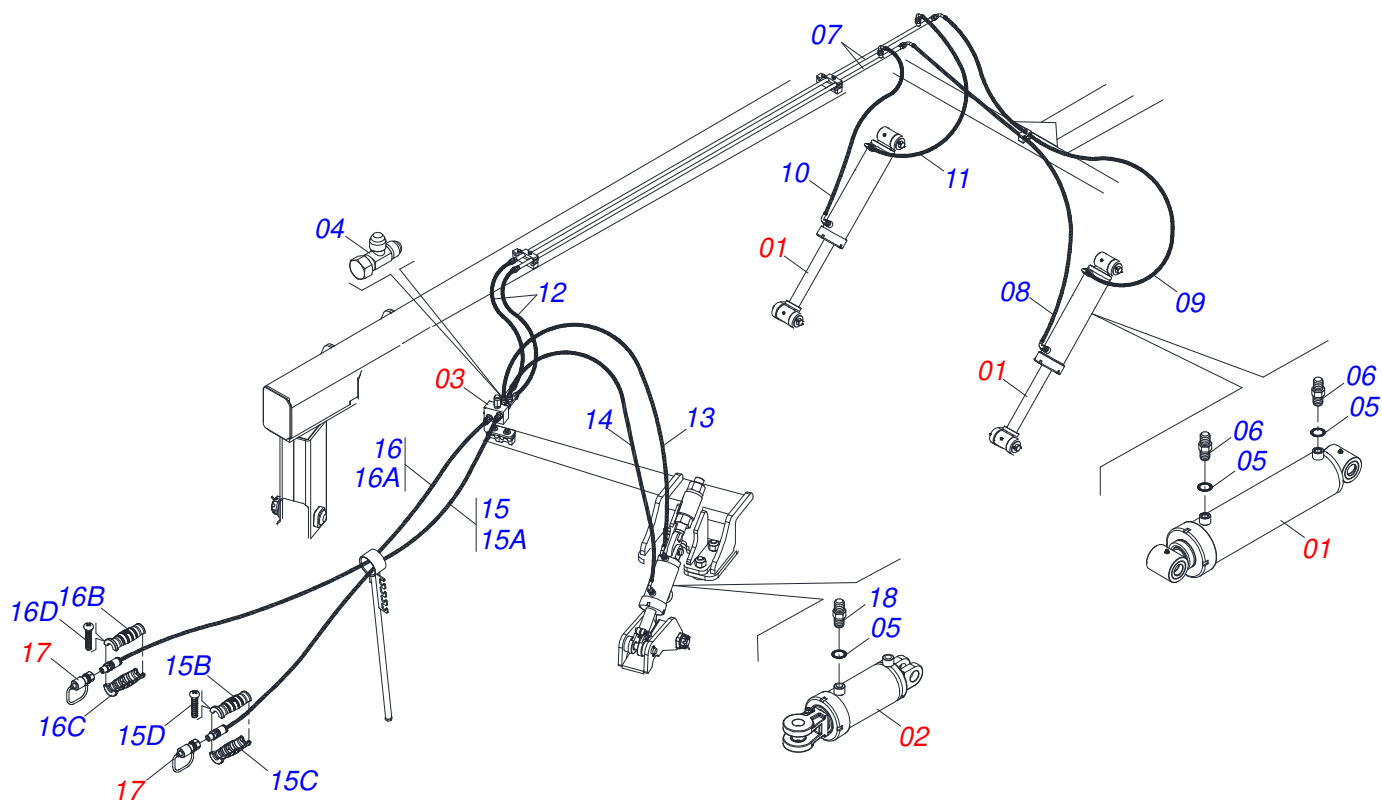
Item	Code	Description	See page	QT
01	0521060777	TURNBUCKLE 76,20 X 1020,50 CRO 7012		01
02	0521067412	SHIRT 114.30 X 897.50 WITH BEATER		01
03	0502012629	MOBILE COVER 114,30 (E. 76,20)		01
04	0503012642	D-3000 SCRAPER RING		01
05	0503013553	SEAL RING		02
06	0503013552	GASKET		01
07	0503011893	BACK-UP RING, 8-346		01
08	0503011892	O' RING, 2-346 N 3006-9B		01
09	0502012628	RING SUPPORT 76,30 X 114,20 GCRO		01
10	0502012477	114,30 PISTON		01
11	0503011891	W2-4500-500 RING G.E		02
12	0503030384	CON PLUG N-001		02
13	0503014692	OE 114,3 GASKET		01



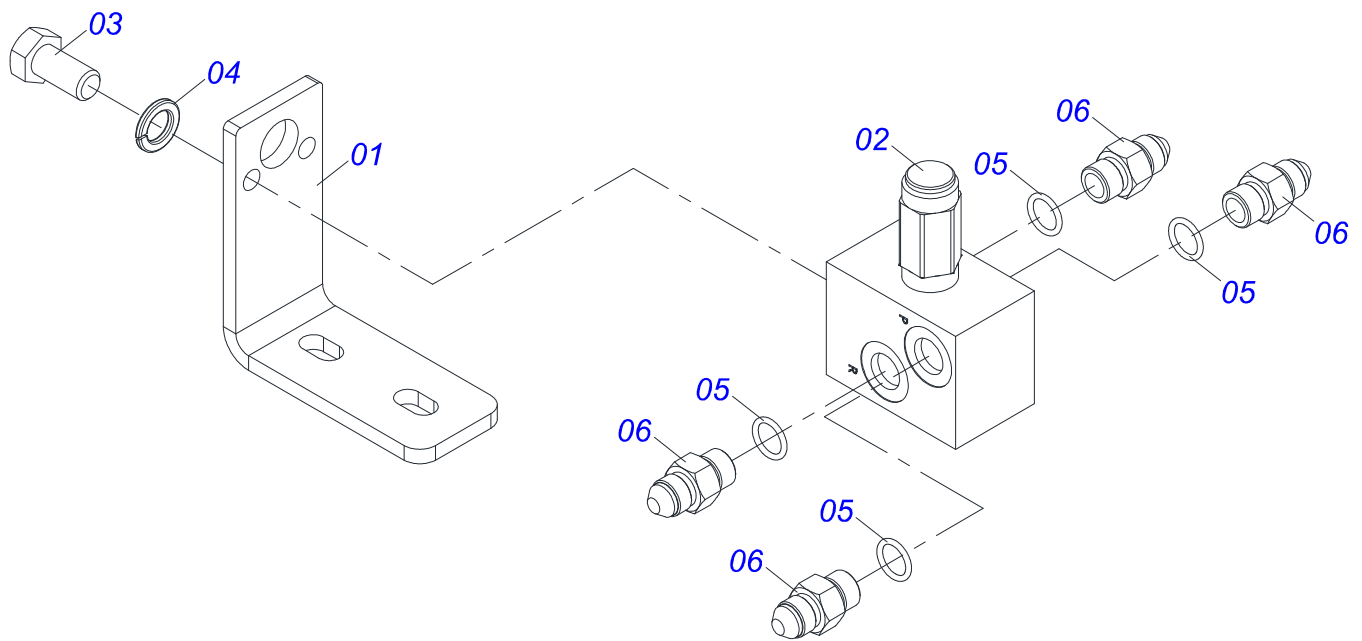
Item	Code	Description	See page	QT
01	0503011883	QUICK CONNECTION COVER		01
02	0503011628	FEMALE QUICK COUPLER		01



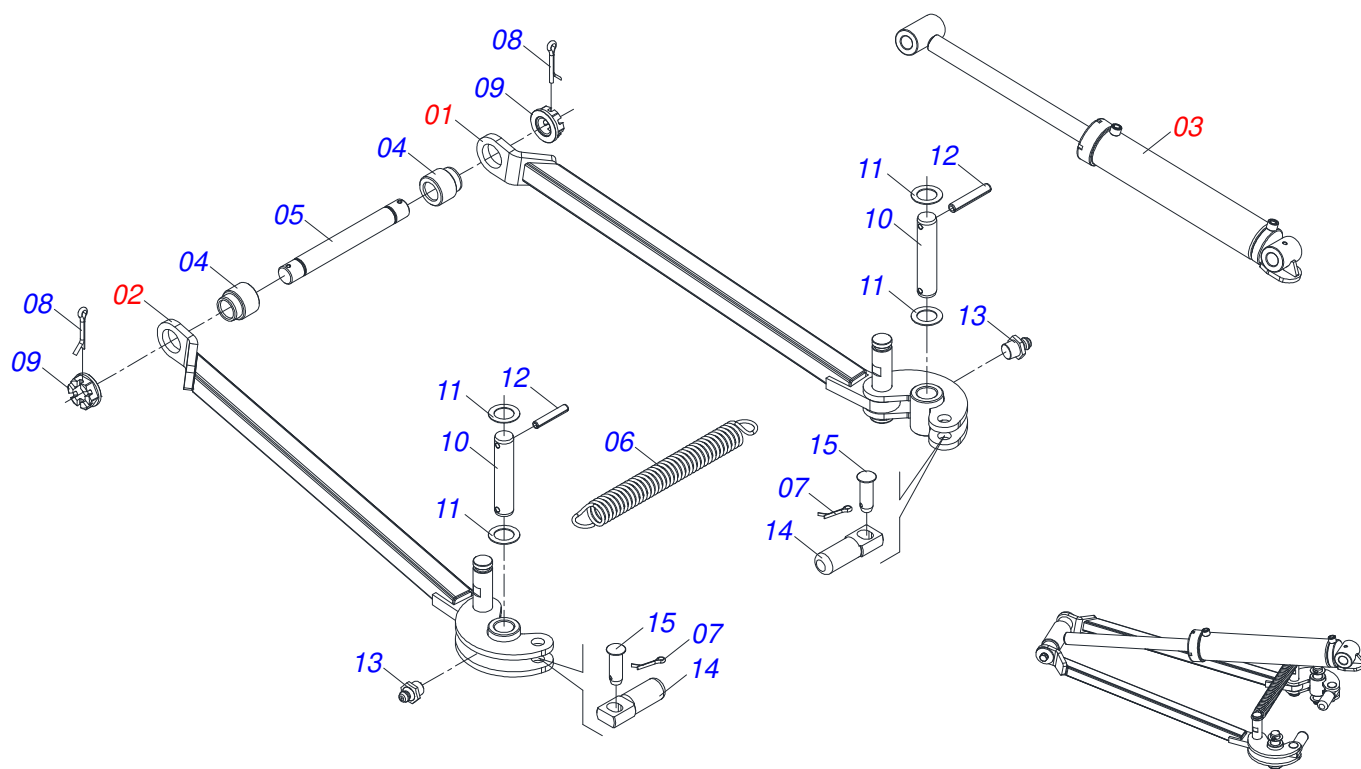
Item	Code	Description	See page	QT
01	0503011627	MALE QUICK COUPLER AGR 1/2 NPT		01
02	0503011882	MALE QUICK COUPLER CAP		01



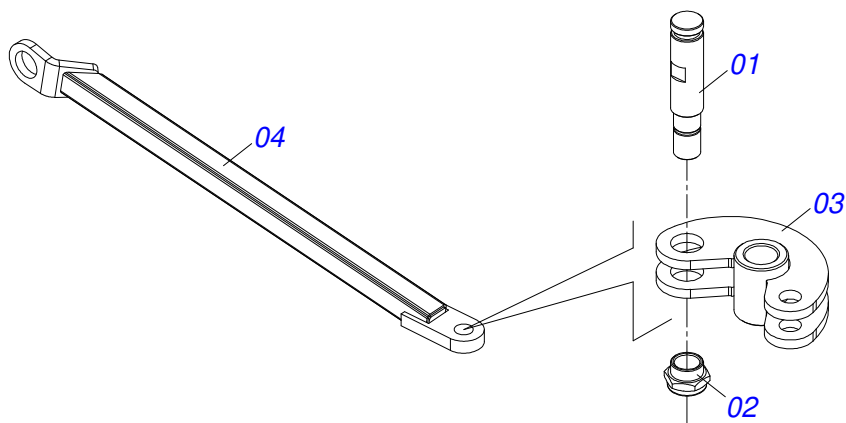
Item	Code	Description	See page	QT
01	0521051832	HYDRAULIC CYLINDER 53,98 X 114,30 X 654 X 346	4	02
02	0521046001	50,80 X 101,60 X 410 X 107 HYDRAULIC CILINDER	9	01
03	0511059196	VALVE ASSY	16	01
04	0503011968	3/4" 8R6X-S T ADAPTER WITH SWIVEL NUT		02
05	0503010190	2-114 N 3006-9B O'RING		06
06	0501010617	3/4" NIPPLE		04
07	0521066937	DUCT DISTRIBUTOR OF OIL		02
08	0501080370	TC-TC HOSE ASSY		01
09	0501080644	3/8" X 78.7" TC-TC HOSE ASSY		01
10	0501080065	3/8 X 1200 TC-TC HOSE		01
11	0501082058	HOSE 3/8 X 800 TC-TC		01
12	0501080106	TR-TR HOSE ASSY		02
13	0501080302	3/8 X 1400 TR-TC HOSE		01
14	0501080436	3/8 X 1600 TR-TC HOSE		01
15	0531055152	3/8 X 6000 TC-TM HOSE (BLACK / BLUE)		01
15A	0501082444	3/8 X 6000 TR-TM HOSE		01
15B	0503034492	HYDRAULIC HOSE GRIP (BLACK)		01
15C	0503034494	HYDRAULIC HOSE GRIP (BLUE)		01
15D	0503018952	PLASTIC BOLT		06
16	0531055151	3/8 X 6000 TR-TM HOSE BLACK / RED		01
16A	0501082444	3/8 X 6000 TR-TM HOSE		01
16B	0503034492	HYDRAULIC HOSE GRIP (BLACK)		01
16C	0503034495	HYDRAULIC HOSE GRIP (RED)		01
16D	0503018952	PLASTIC BOLT		06
17	0501053834	MALE QUICK COUPLER	14	02
18	0561014252	3/4 UNF X 44 NIPPLE WITH REDUCTION		02



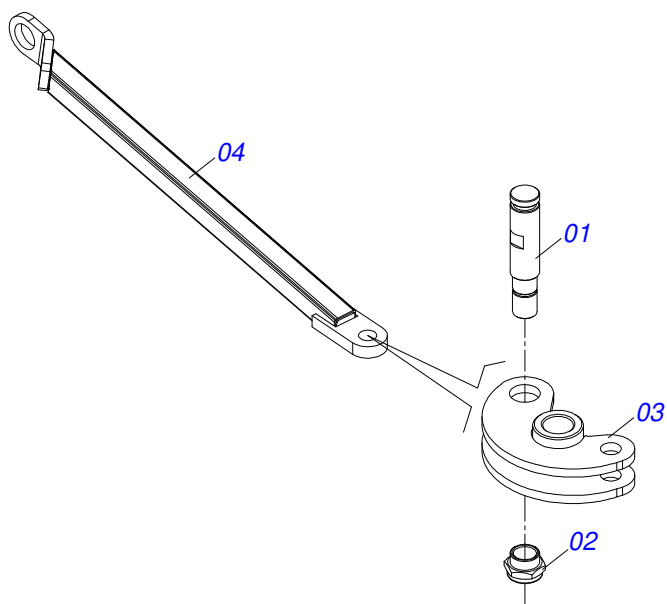
Item	Code	Description	See page	QT
01	0581011745	VALVE SUPPORT		01
02	0503010919	DISCHARGE VALVE		01
03	0503011334	BOLT 3/8 UNC X 3/4 CS G.5 ZN		02
04	0503010025	3/8" SPRING WASHER		02
05	0503010190	2-114 N 3006-9B O'RING		04
06	0501010617	3/4" NIPPLE		04



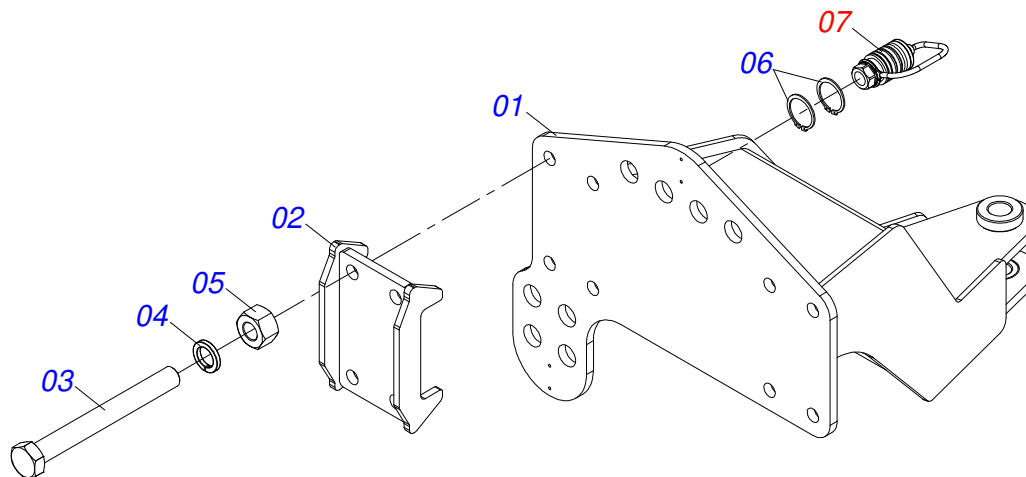
Item	Code	Description	See page	QT
01	0511050181	LH FRONT/RH REAR ARTICULACION	18	04
02	0511050182	RH FRONT/LH REAR ARTICULACION	19	04
03	0511059197	HYDRAULIC CYLINDER 76,20 X 114,30 X 1085 X 715	12	04
04	0541016614	38,20 X 62 X 61 SLEEVE		08
05	0501210091	ARTICULATOR PIVOT AXIS		04
06	0503032537	50,7 X 325 X 6,35 TRACTION SPRING		04
07	0503010571	1/4" X 1.1/2 COTTERPIN		08
08	0503010010	1/4" X 2.1/2" COTTERPIN		08
09	0501011301	1.1/2 UNC 6FPP 2.5/16 NUT		08
10	0541016677	37,20 X 177 COUPLING SHAFT		08
11	0511019685	FLAT WASHER		16
12	0503010361	SPRING PIN		16
13	0503010002	1800 GREASE FITTING		02
14	0561013283	LOCK AXLE FRAME		08
15	0521010572	0.9" X 2.9" COUPLING SHAFT		08



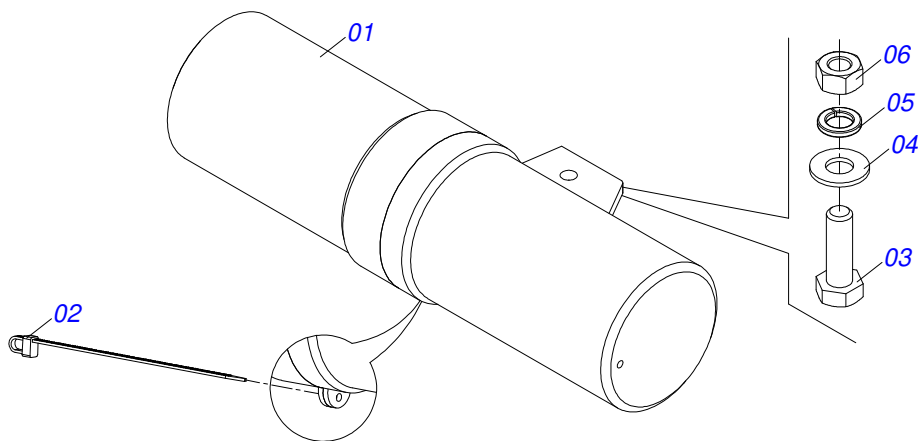
Item	Code	Description	See page	QT
01	0561014074	LOCK AXLE		01
02	0541019258	1.1/4 ADJUSTING NUT		01
03	0521060779	LOCK PIN		01
04	0521060770	FRONT ARTICULACION ARM		01



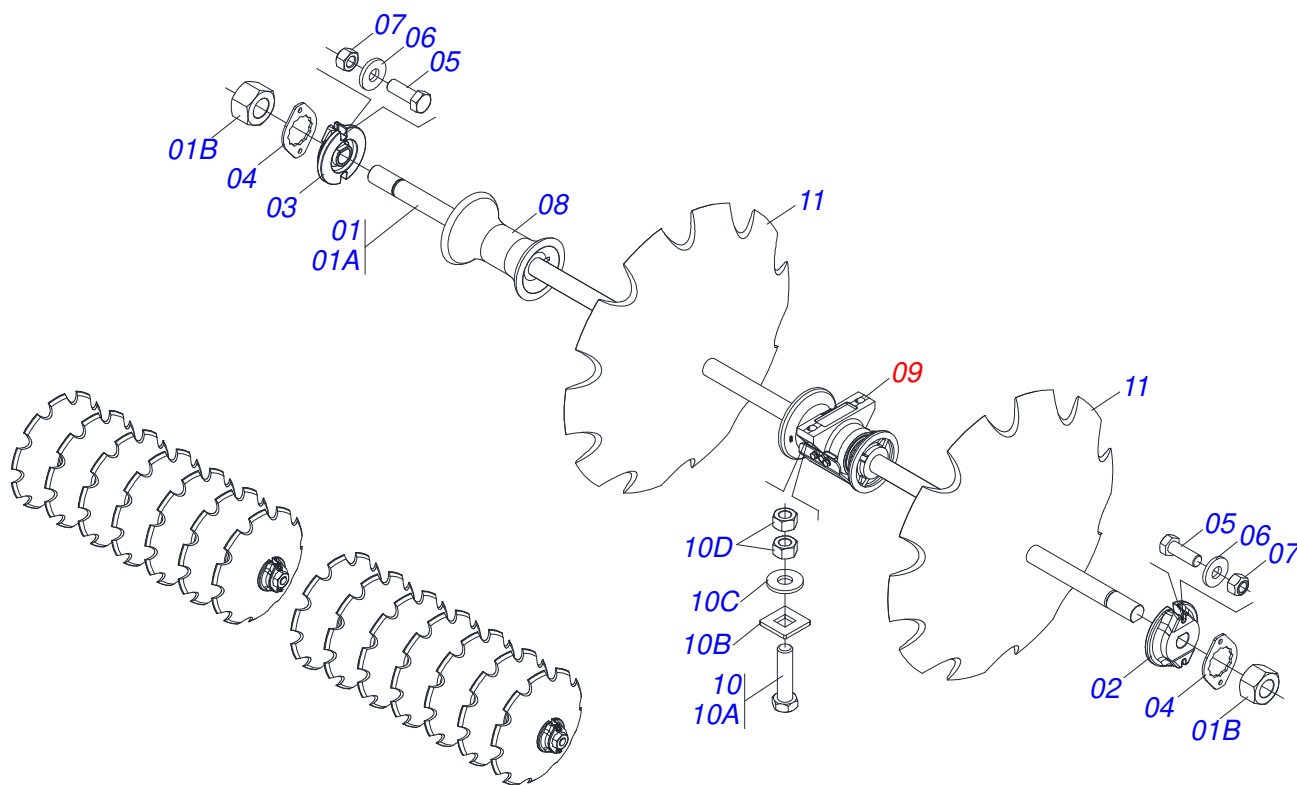
Item	Code	Description	See page	QT
01	0561014074	LOCK AXLE		01
02	0541019258	1.1/4 ADJUSTING NUT		01
03	0521060779	LOCK PIN		01
04	0521060771	ARTICULATION ARM ASSY		01



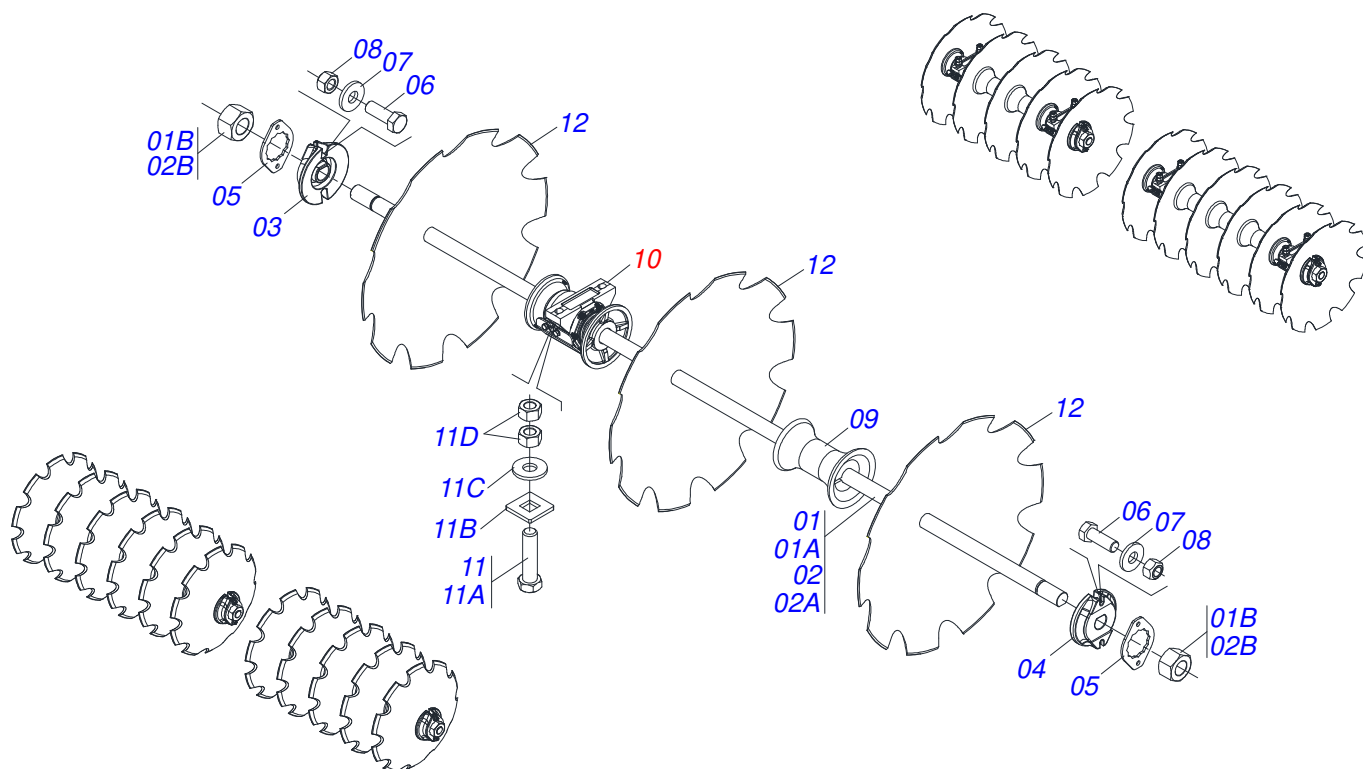
Item	Code	Description	See page	QT
01	0521065966	REAR HITCH		01
02	0521065965	FIXER CLAW		02
03	0501010064	1" X 9" BOLT		08
04	0503010012	1" SPRING WASHER		08
05	0501010059	1.5/8 NUT		08
06	0503010217	501040 CLAMPING RING (FOR AXLE)		04
07	0501053835	FEMALE QUICK COUPLER	13	02



Item	Code	Description	See page	QT
01	0503060100	OPERATOR'S MANUAL STORAGE TUBE		01
02	0503010267	NYLON CLAMP		01
03	0503010363	5/16" X 1" BOLT		01
04	0501010694	FLAT WASHER		01
05	0503010179	LOCK WASHER		01
06	0503010337	5/16" NUT		01

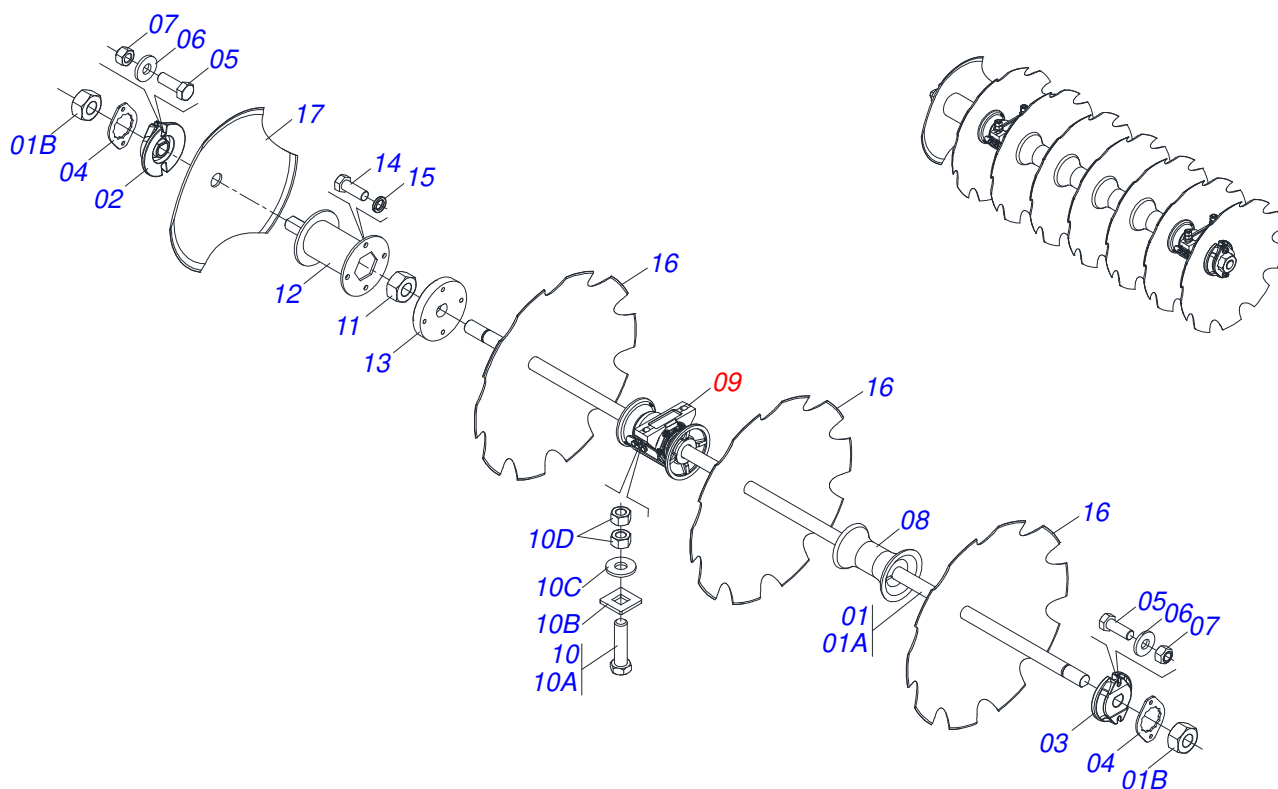


Item	Code	Description	See page	QT
01	0501059155	2-1/8" X 2020 AXLE WITH NUTS		02
01A	0561013277	2-1/8" X 2020 AXLE		02
01B	0502040063	2-1/8" X 54 99 NUT		04
02	0502010594	2-1/8" EXTERNAL AXLE WASHER		02
03	0502010595	2-1/8" INNER AXLE WASHER		02
04	0541010368	NUT LOCK		04
05	0503010232	5/8" X 1.3/4" BOLT		08
06	0501012140	FLAT WASHER		08
07	0503012412	5/8 UNC SELF LOCKING NUT		08
08	0502011405	292 W/H 2.1/8 SPACER		08
09	0521044243	BEARING WITH PROTECTION CASE	26	04
10	0511046308	7/8" NC X 4.1/2" BOLT ASSY		08
10A	0503012460	7/8" X 4-1/2" BOLT		08
10B	0521066938	BEARING SUPPORT		08
10C	0561013107	FLAT WASHER		08
10D	0503010417	7/8" NUT		16
11	0602044153	32" X 9 NOTCHED DISC BLADE		14

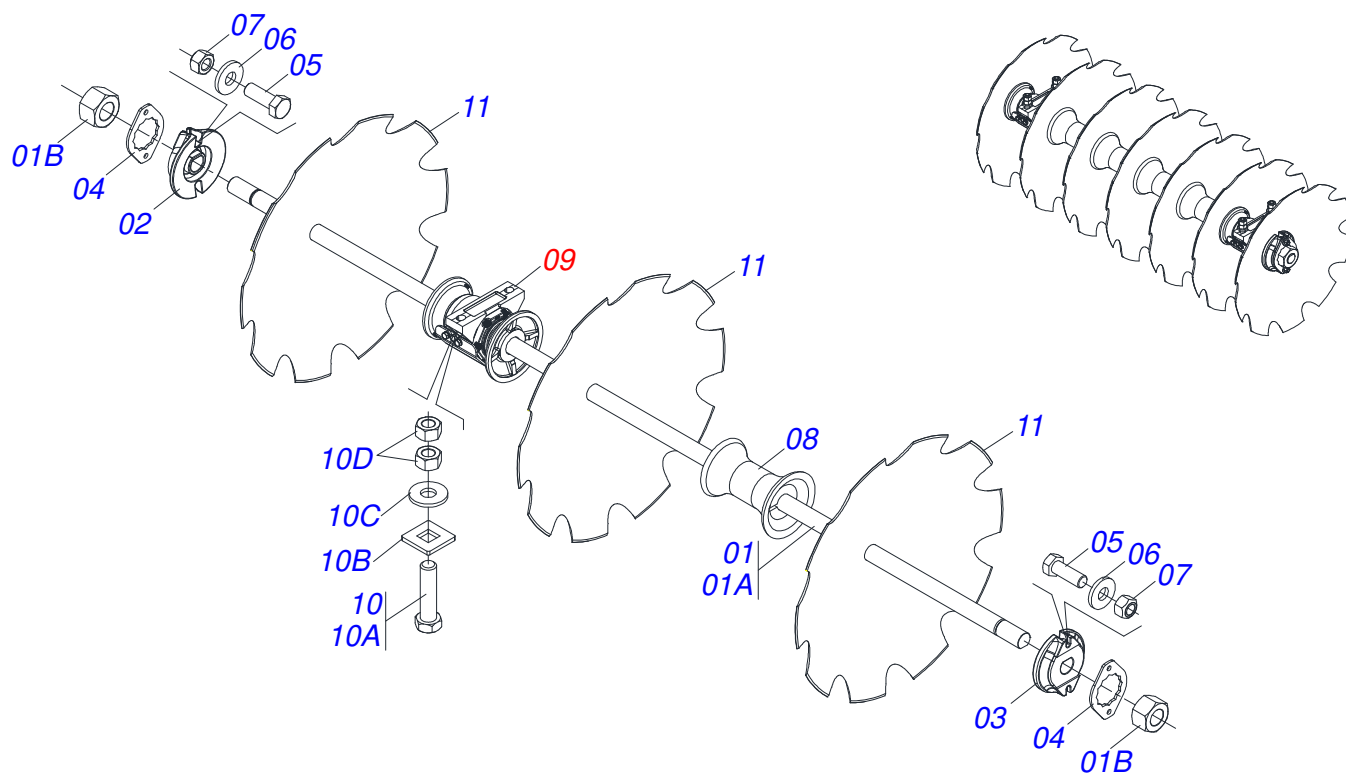


Item	Code	Description	See page	QT
01	0511050665	2-1/8" X 1424 AXLE WITH NUTS		02
01A	0561015983	2-1/8" X 1424 AXLE		02
01B	0502040063	2-1/8" X 54 99 NUT		04
02	0501059852	2-1/8 X 1722 AXLE WITH NUTS		02
02A	0561015943	2-1/8" X 1722 AXLE		02
02B	0502040063	2-1/8" X 54 99 NUT		04
03	0502010594	2-1/8" EXTERNAL AXLE WASHER		04
04	0502010595	2-1/8" INNER AXLE WASHER		04
05	0541010368	NUT LOCK		08
06	0503010232	5/8" X 1.3/4" BOLT		16
07	0501012140	FLAT WASHER		16
08	0503012412	5/8 UNC SELF LOCKING NUT		16
09	0502011405	292 W/H 2.1/8 SPACER		10
10	0521044243	BEARING WITH PROTECTION CASE	26	08
11	0511046308	7/8" NC X 4.1/2" BOLT ASSY		16
11A	0503012460	7/8" X 4-1/2" BOLT		16
11B	0521066938	BEARING SUPPORT		16
11C	0561013107	FLAT WASHER		16
11D	0503010417	7/8" NUT		32
12	0602044153	32" X 9 NOTCHED DISC BLADE		22

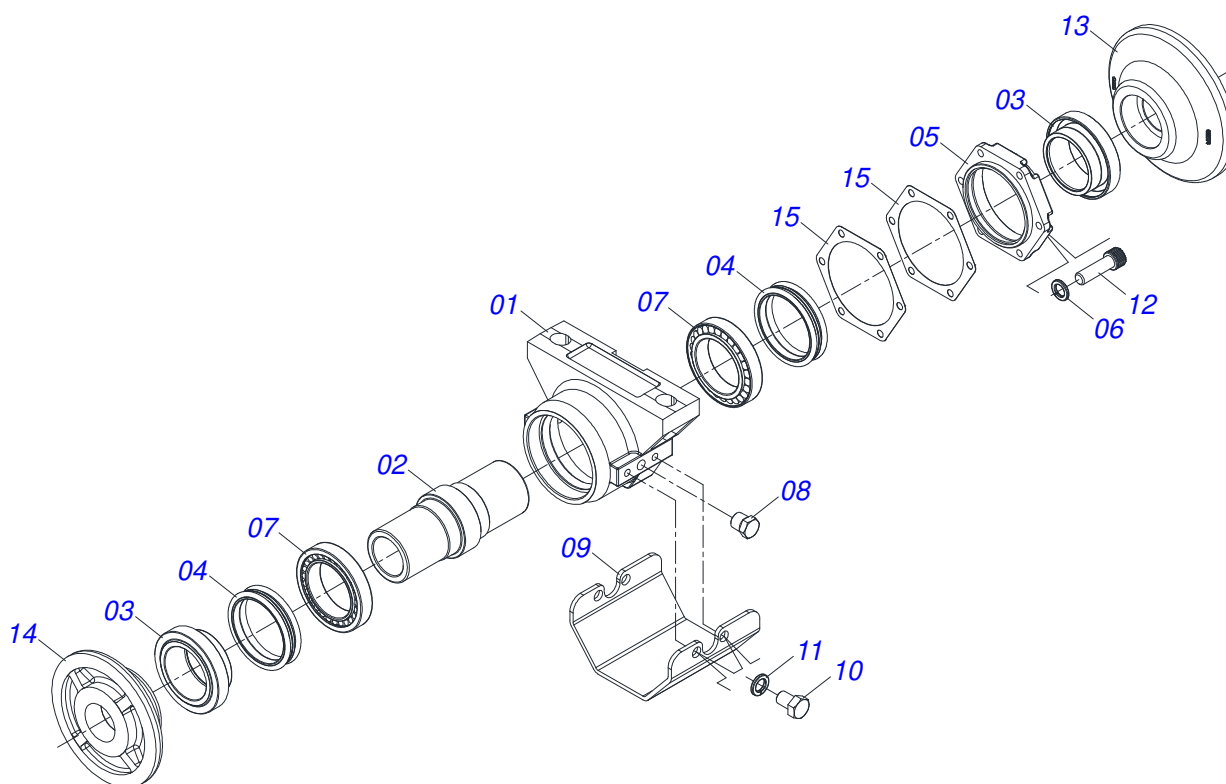
REAR RIGHT SIDE DISCS SECTION



Item	Code	Description	See page	QT
01	0501059155	2-1/8" X 2020 AXLE WITH NUTS		01
01A	0561013277	2-1/8" X 2020 AXLE		01
01B	0502040063	2-1/8" X 54 99 NUT		02
02	0502010594	2-1/8" EXTERNAL AXLE WASHER		01
03	0502010595	2-1/8" INNER AXLE WASHER		01
04	0541010368	NUT LOCK		02
05	0503010232	5/8" X 1.3/4" BOLT		04
06	0501012140	FLAT WASHER		04
07	0503012412	5/8 UNC SELF LOCKING NUT		04
08	0502011405	292 W/H 2.1/8 SPACER		04
09	0521044243	BEARING WITH PROTECTION CASE	26	02
10	0511046308	7/8" NC X 4.1/2" BOLT ASSY		04
10A	0503012460	7/8" X 4-1/2" BOLT		04
10B	0521066938	BEARING SUPPORT		04
10C	0561013107	FLAT WASHER		04
10D	0503010417	7/8" NUT		08
11	0502040063	2-1/8" X 54 99 NUT		01
12	0521061008	FURROW FILLE 2.1/8" SPACER		01
13	0561014077	2-1/8 EXTERNAL AXLE LOCK		01
14	0501010098	3/4" UNC BOLT		04
15	0503010023	3/4" SPRING WASHER		04
16	0602044153	32" X 9 NOTCHED DISC BLADE		07
17	0602033276	26" X 9 NOTCHED DISC BLADE		01



Item	Code	Description	See page	QT
01	0501059155	2-1/8" X 2020 AXLE WITH NUTS		01
01A	0561013277	2-1/8" X 2020 AXLE		01
01B	0502040063	2-1/8" X 54 99 NUT		02
02	0502010594	2-1/8" EXTERNAL AXLE WASHER		01
03	0502010595	2-1/8" INNER AXLE WASHER		01
04	0541010368	NUT LOCK		02
05	0503010232	5/8" X 1.3/4" BOLT		04
06	0501012140	FLAT WASHER		04
07	0503012412	5/8 UNC SELF LOCKING NUT		04
08	0502011405	292 W/H 2.1/8 SPACER		04
09	0521044243	BEARING WITH PROTECTION CASE	26	02
10	0511046308	7/8" NC X 4.1/2" BOLT ASSY		04
10A	0503012460	7/8" X 4-1/2" BOLT		04
10B	0521066938	BEARING SUPPORT		04
10C	0561013107	FLAT WASHER		04
10D	0503010417	7/8" NUT		08
11	0602044153	32" X 9 NOTCHED DISC BLADE		07



Item	Code	Description	See page	QT
01	0502012482	HOUSING BEARING		01
02	0502040810	SHAFT FOR BEARING		01
03	0502040198	SEAL RETAINER		02
04	0503030028	JB-257 SEAL		02
05	0502012481	BOX COVER		01
06	0503011443	3/8" SPRING WASHER		06
07	0503013966	ROLLER BEARING		02
08	0503010856	OIL PLUG		02
09	0551017124	PROTECTION COVER		01
10	0503011401	1/2" X 3/4" BOLT		04
11	0503010019	1/2" SPRING WASHER		04
12	0503010175	3/8" X 1-1/4" BOLT		06
13	0581012051	EXTERNAL DISC		01
14	0581012052	DISCO INTERNE		01
15	0503032999	JOINT		02



MARCHESAN

Technical Publications | Elaboration and Revision

LEONARDO JOSÉ DA SILVA SOUZA

www.marchesan.com.br

