

**AUXILIARY PRODUCTS**

**PAH 1200 F6600 - 4A7630-4 SHT S/A**

**Code:** 0501093196  
**Series:** S-1188  
**Revision:** 00  
**Date Revision:** DEZEMBRO/2021

# PARTS CATALOGUE



**MARCHESAN**



# PRODUCTS

Code	Description
0107020069	PAH 1200 F6600-4A7630-4SHT S/A 1188

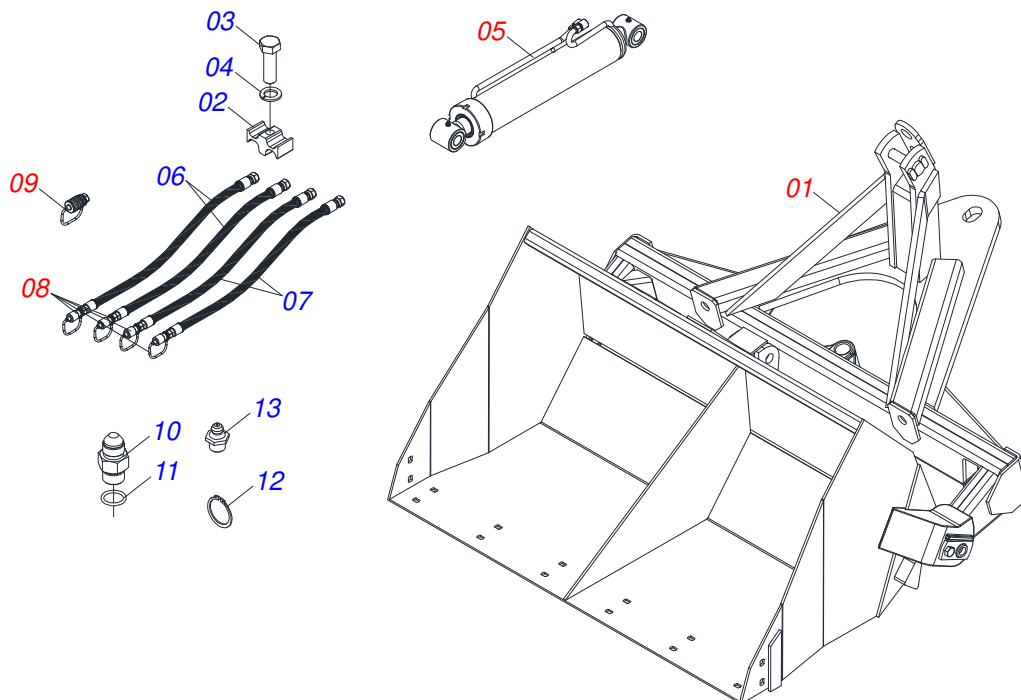
## ATTENTION: IMPORTANT

Marchesan S.A. reserves the right to improve and/or modify the technical features of its products, without obligation to do the same with those products already sold and without prior knowledge of the dealer or the consumer. The photos are only illustrative.

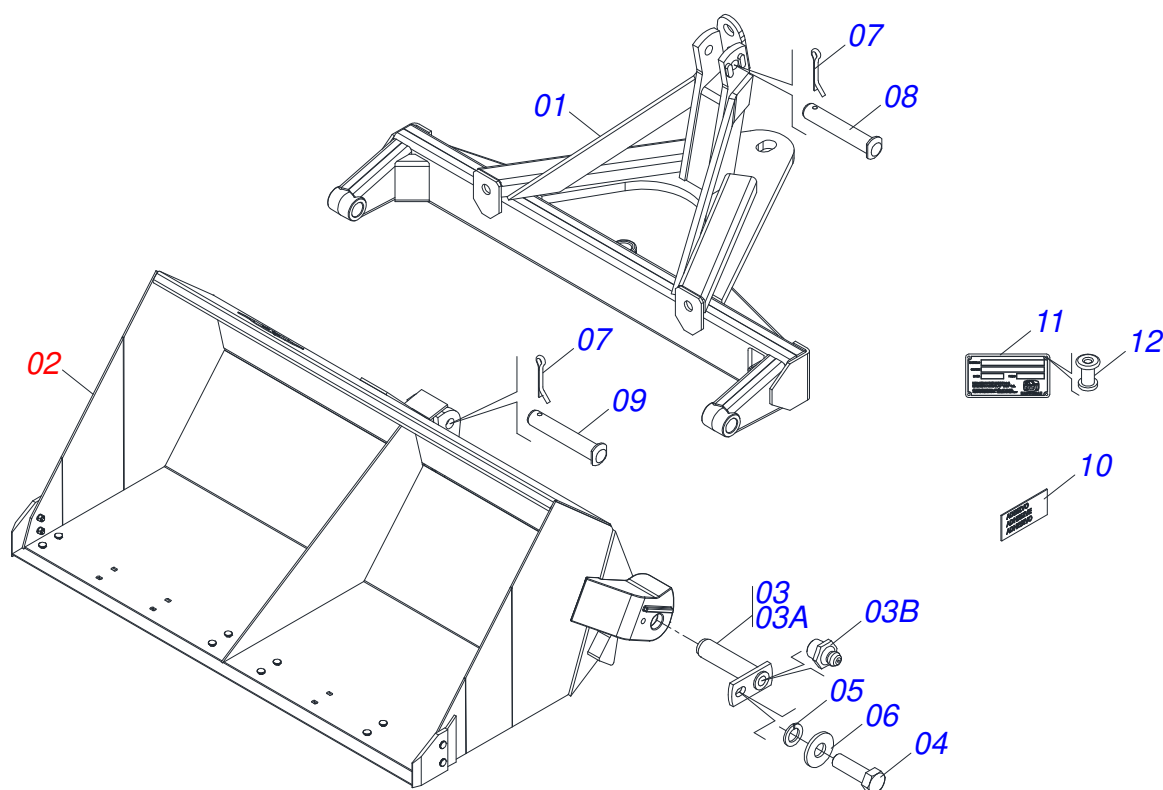


# INDEX

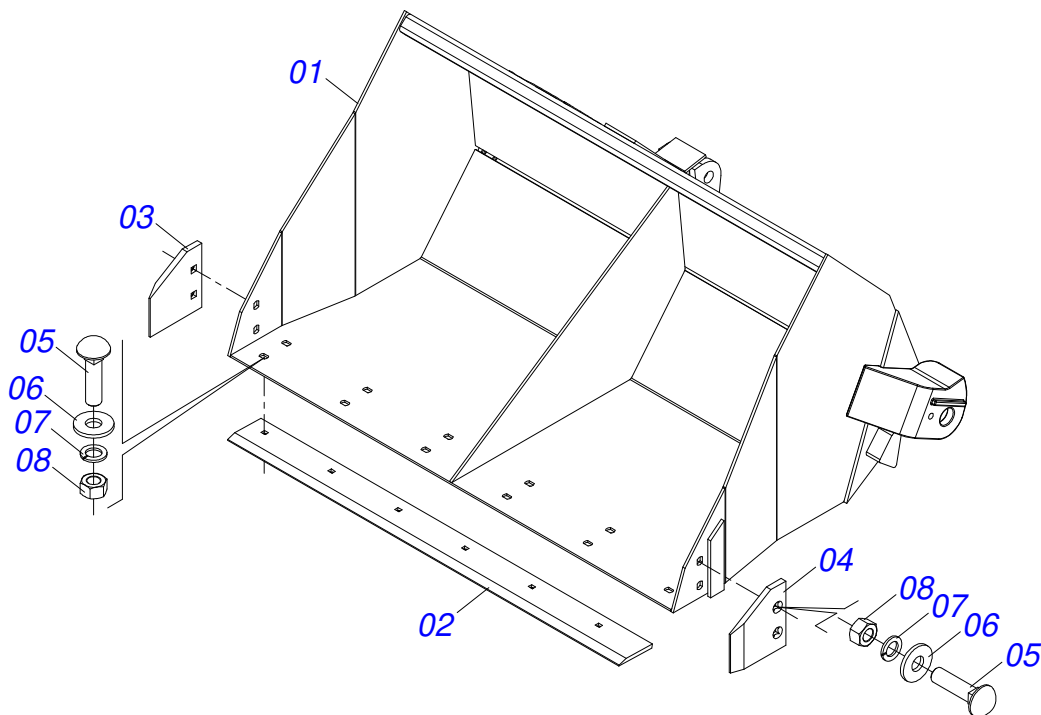
0909096079	PAH 1200	.....	1
0501042293	1200 BUCKET SUPPORT	.....	2
0501050247	1200 BUCKET	.....	3
0501042304	HIDRAULIC CYLINDER 38,1 X 63,5 X 640X400	.....	4
0501053834	MALE QUICK COUPLER	.....	5
0501053835	FEMALE QUICK COUPLER	.....	6



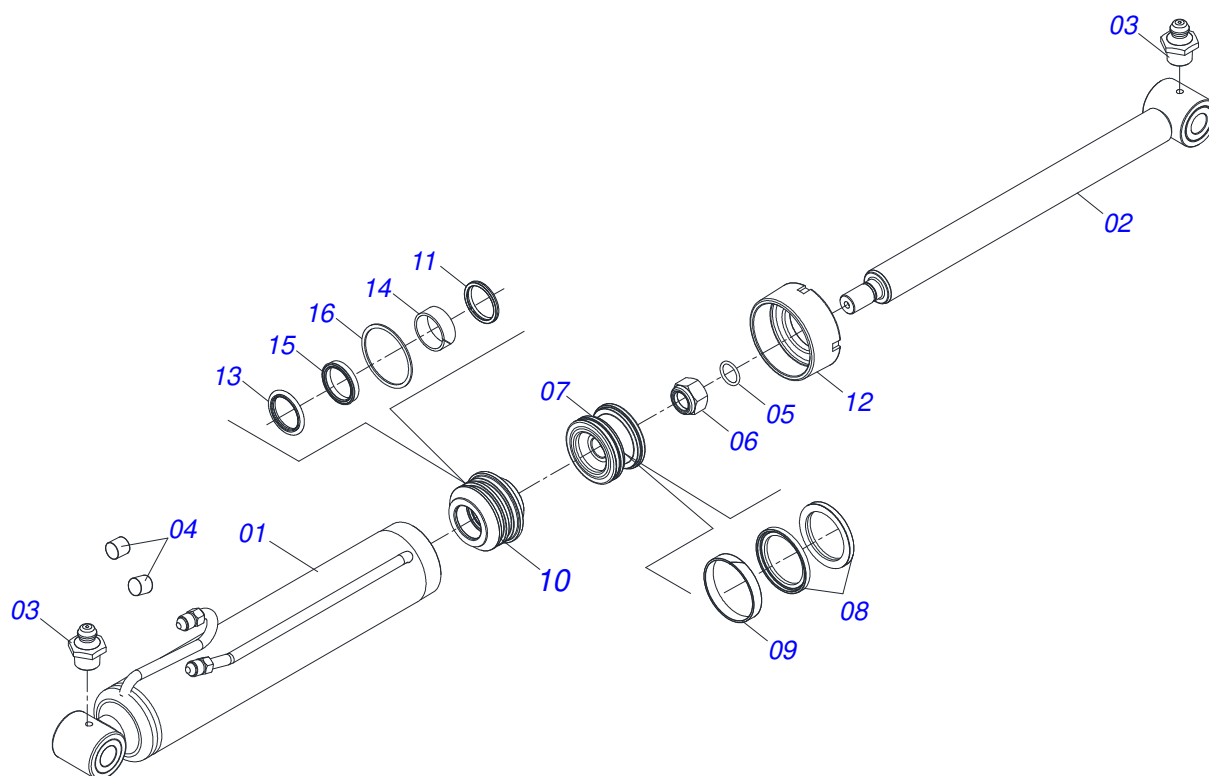
Item	Code	Description	See page	QT
01	0501042293	1200 BUCKET SUPPORT	2	01
02	0502012702	BODY SUPPORT CLAMP		03
03	0503012555	SCREW 7/16 UNC X 2 CS RT G.7 ZN		03
04	0503010180	7/16" SPRING WASHER		03
05	0501042304	HIDRAULIC CYLINDER 38,1 X 63,5 X 640X400	4	01
06	0501080242	3/8" X 47" TR-TM HOSE		02
07	0501080471	3/8" X 110.24" TR-TM HOSE ASSY		02
08	0501053834	MALE QUICK COUPLER	5	04
09	0501053835	FEMALE QUICK COUPLER	6	02
10	0511010111	7/8" NIPPLE		02
11	0503010190	2-114 N 3006-9B O'RING		02
12	0503010217	501040 CLAMPING RING (FOR AXLE)		04
13	0503010002	1800 GREASE FITTING		02



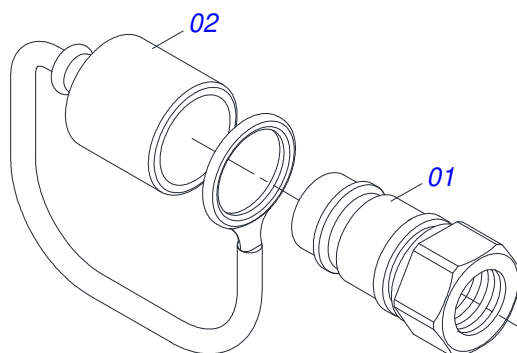
Item	Code	Description	See page	QT
01	0501063381	1200 BUCKET SUPPORT		01
02	0501050247	1200 BUCKET	3	01
03	0501042363	PIVOT SHAFT		02
03A	0501063956	PIVOT SHAFT		01
03B	0503010002	1800 GREASE FITTING		01
04	0503010962	5/8" X 1-1/4" BOLT		02
05	0503011445	SPRING WASHER		02
06	0501012140	FLAT WASHER		02
07	0503010523	1/4" X 2" COTTERPIN		02
08	0521010785	COUPLING SHAFT		01
09	0511016155	PIN		01
10	0503033428	ADHESIVE LABEL		01
11	0503034003	SERIAL NUMBER TAG 61 X 118		01
12	0503010001	3.2 X 5.5 RIVET		04



Item	Code	Description	See page	QT
01	0501063395	1200 BUCKET		01
02	0622360005	SCRAPER BUCKET 1200		01
03	0622360009	SCRAPER FRAME RIGHT		01
04	0622360010	SCRAPER FRAME LEFT		01
05	0503012956	1/2" X 1-1/2" BOLT		10
06	0511017302	FLAT WASHER		10
07	0503011440	SPRING WASHER		10
08	0503012682	1/2" BSW NUT		10

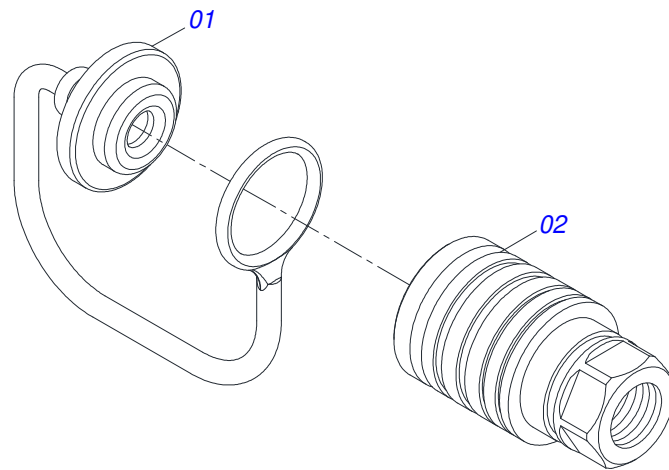


Item	Code	Description	See page	QT
01	0501063671	CASE		01
02	0501068958	HYDRAULIC CYLINDER TURNBUCKLE		01
03	0503010002	1800 GREASE FITTING		01
04	0503030385	CYLINDER PLUG N-002		02
05	0503010285	2-222 N 3006-9B O'RING		01
06	0503010063	1" SELF-ALIGNING NUT		01
07	0502010783	1.5" X 2.5" PISTON		01
08	0503010160	2500 2000 GASKET		02
09	0503010973	W2-2500-500 PK O'RING G.E		01
10	0502010780	RING SUPPORT		01
11	0503010163	D-1500 SCRAPER RING		01
12	0502010471	MOBILE COVER		01
13	0503010970	W1-1650-500 PK O'RING G.E		01
14	0503010989	1870-1500-375-B GASKET		01
15	0503010161	2-330 N 3006 9B O'RING		01
16	0503011058	8-330 BACK-UP RING		01
17	0501032666	HYDRAULIC CYLINDER REPAIR KIT		01



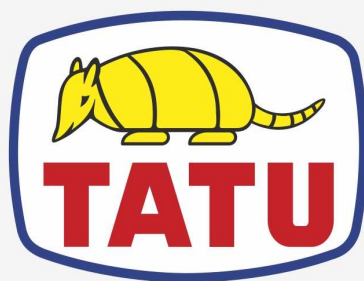
Item	Code	Description	See page	QT
01	0503011627	MALE QUICK COUPLER AGR 1/2 NPT		01
02	0503011882	MALE QUICK COUPLER CAP		01





Item	Code	Description	See page	QT
01	0503011883	QUICK CONNECTION COVER		01
02	0503011628	FEMALE QUICK COUPLER		01





**MARCHESAN**

**Technical Publications | Elaboration and Revision**

MARINA PEREZ NIZA

[www.marchesan.com.br](http://www.marchesan.com.br)

