

CHASER BIN

DCCO 10500 MC

Code: 0501093177
Series: S-0302
Revision: 02
Date Revision: FEVEREIRO/2023

PARTS CATALOGUE



MARCHESAN



PRODUCTS

Code	Description
0109090044	DCCO 10500 MC S-0302
0109090153	DCCO 10500 MC C C/DIRECIONADOR S302
0109090343	DCCO 10500 MC C/ ABAFADOR C/ RODA S/ PNEU S-0302
0109090057	DCCO 10500 MC C/ABAFADOR S-0302
0109090127	DCCO 10500 MC C/RODA S/PNEUS S-0302
0109090167	DCCO 10500 MC C/RODEIRO S/PN 400/60 S302
0109090166	DCCO 10500 MC PN 400/60 S-0302

ATTENTION: IMPORTANT

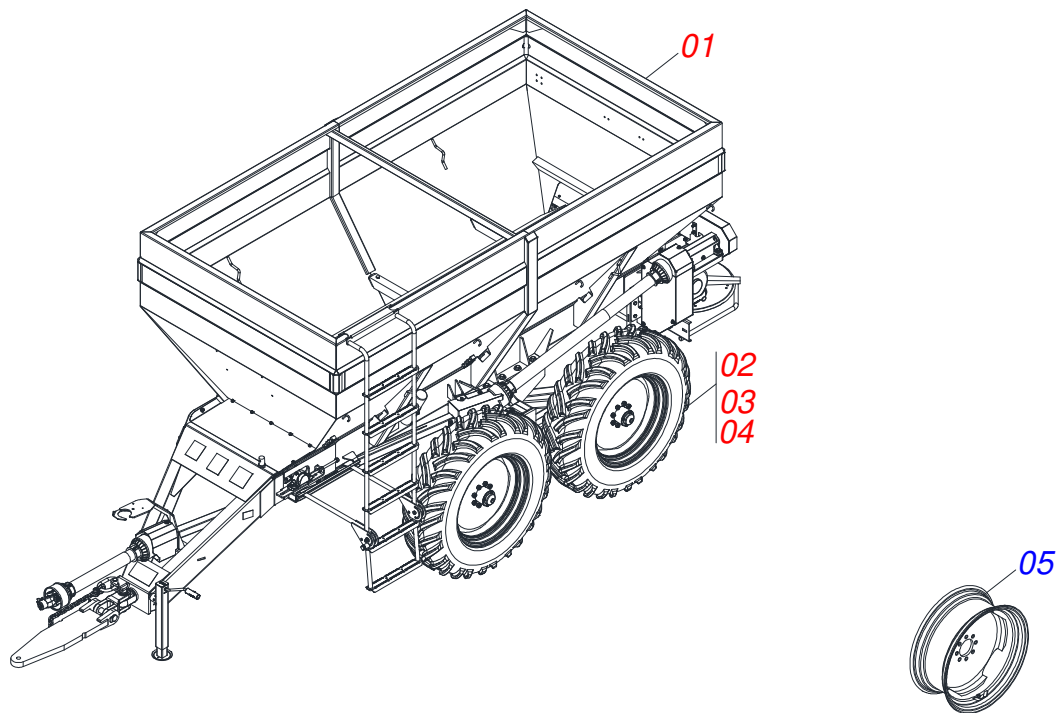
Marchesan S.A. reserves the right to improve and/or modify the technical features of its products, without obligation to do the same with those products already sold and without prior knowledge of the dealer or the customer. The photos are only illustrative.



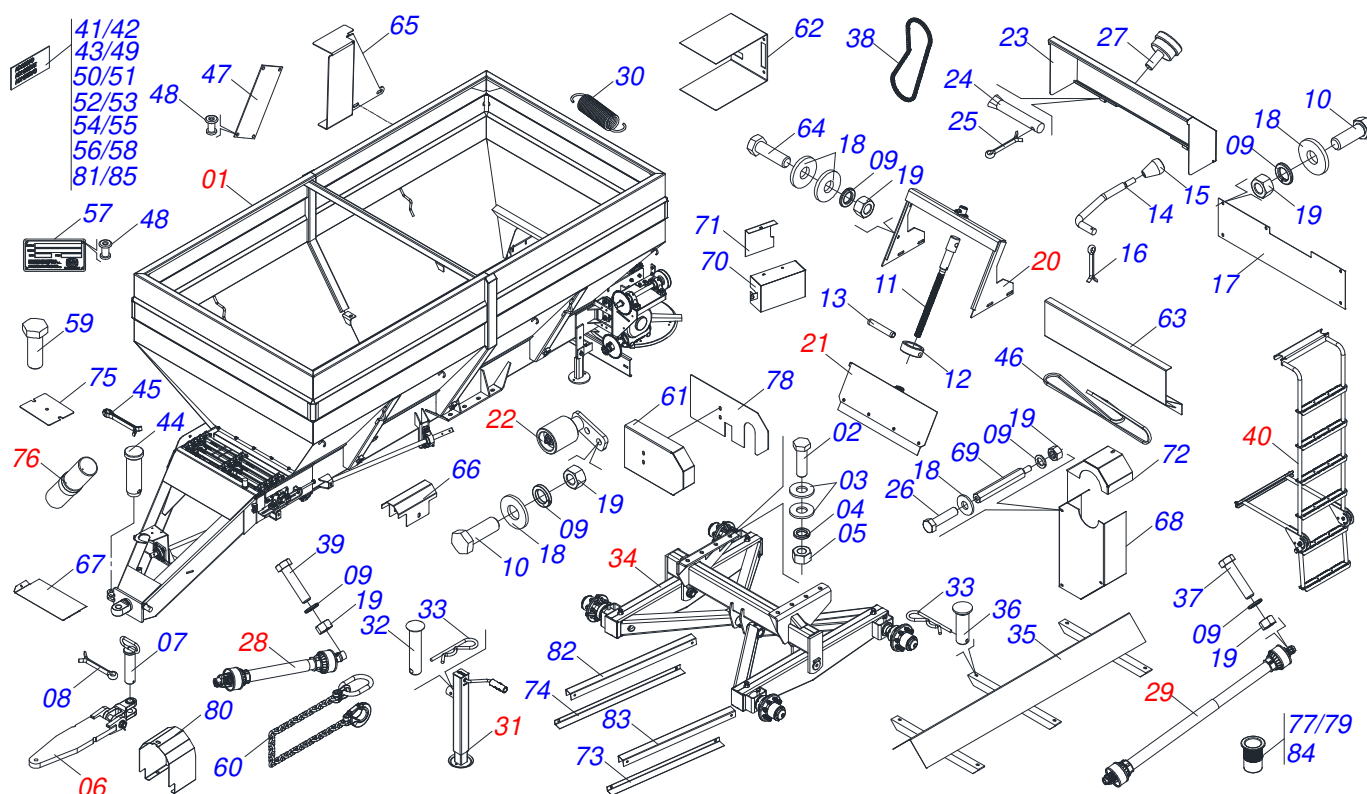
MARCHESAN

INDEX

0909096108	ASSY FRAME	1
0511041109	ASSY FRAME	2
0501054172	BUCKET	3
0501044308	AGRICULTURAL BEARING ASSY	4
0511041213	AGRICULTURAL BEARING	5
0521053161	CARDAN SUPPORT WITHOUT SPRING	6
0501047985	REDUCER	7
0501051774	38Z CROWN	8
0501053868	BELT TENSIONER ASSY	9
0501054013	RIGHT BEARRING SUPPORT DISC	10
0501048000	AGRICULTURAL BEARING	11
0501053870	DISTRIBUTOR RIGHT DISC ASSY	12
0501053871	DISTRIBUTOR LEFT DISC ASSY	13
0531050090	DRAWBOLT ASSY	14
0531050089	FULL DISK PROTECTOR	15
0511059024	ENGATE TRATOR COMPLETO	16
0511059105	SLUICE VALVE SUPPORT	17
0511059094	SHAFT BEARING THREADED	18
0511059108	SLUICE VALVE COVER ASSY	19
0501050829	CHAIN TENSIONER	20
0511043330	DRIVE SHAFT	21
0501048200	DRIVE SHAFT	22
0511041110	BELL CRANK SUPPORT FIXATION	23
0501056347	CARRYING WHEELS WITHOUT TIRE	24
0511059187	ASSY LADDER	25
0531050102	CATALOGUE/MANUAL CANISTER ASSY	26
0521042717	ASSY FRAME	27
0501048409	DRIVE SHAFT	28
0501048783	DRIVE SHAFT	29
0501047881	AXIS JOINT ASSY	30
0521042718	BELL CRANK SUPPORT FIXATION	31
0501055850	CARRYNG WHEEL HUB ASSEMBLY ASSY	32
0511053905	BUCKET	33
0511050253	CARDAN TRANSMISSION HUB	34
0511042723	ASSY FRAME	35
0531052381	DAMPER ASSY	36
0511059223	WHEEL WITH LEFT SIDE TIRE	37
0511059222	WHEEL WITH TIRE RIGHT SIDE	38
0501055887	WHEEL 400/60 TR 4181861	39

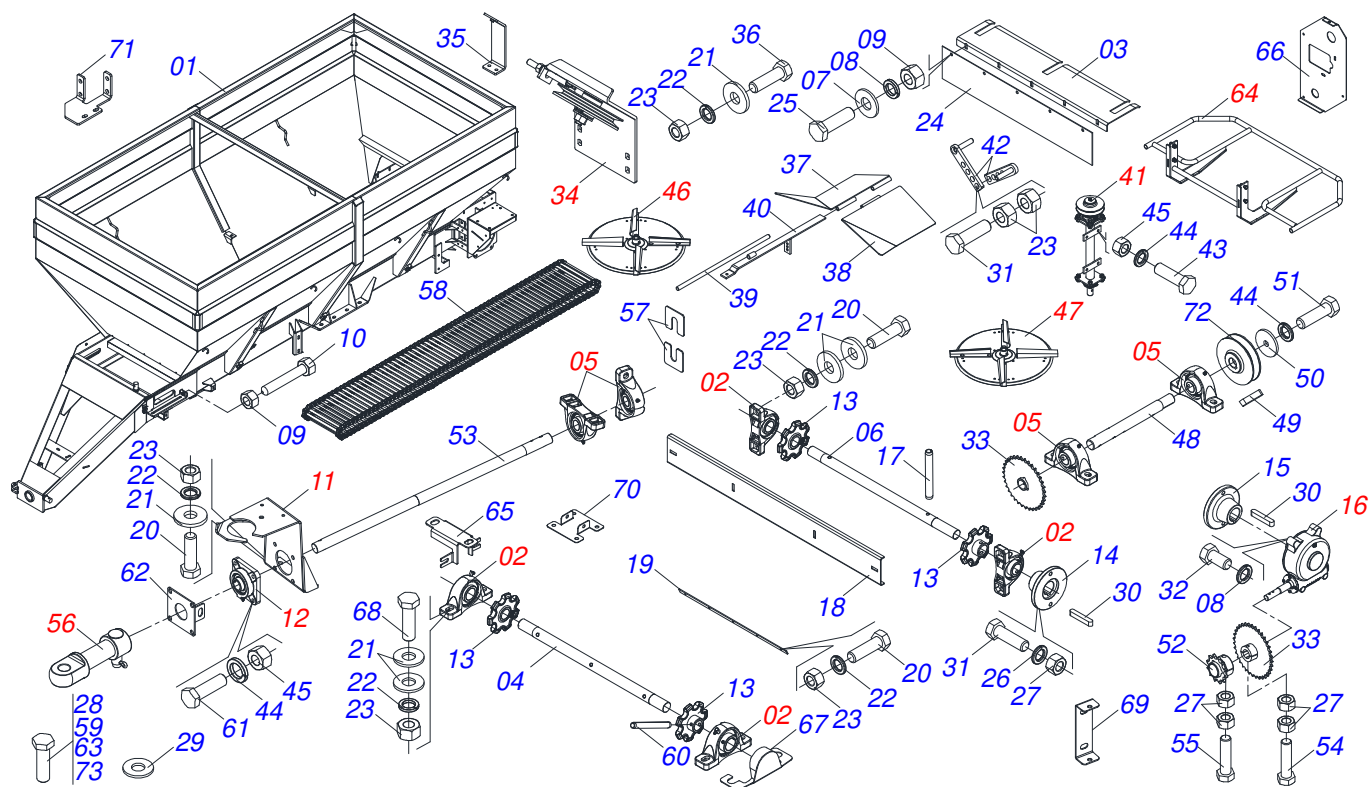


Item	Code	Description	See page	QT
01	0511041109	ASSY FRAME	2	01
01.	0521042717	ASSY FRAME	27	01
01..	0511042723	ASSY FRAME	35	01
02	0511059223	WHEEL WITH LEFT SIDE TIRE	37	02
03	0511059222	WHEEL WITH TIRE RIGHT SIDE	38	02
04	0501055887	WHEEL 400/60 TR 4181861	39	04
05	0511063924	DCCO 10500 WHEEL		04



Item	Code	Description	See page	QT
01	0501054172	BUCKET	3	01
02	0501010125	3/4" X 2-1/2" BOLT		08
03	0501010322	FLAT WASHER		16
04	0503010023	3/4" SPRING WASHER		08
05	0503010014	3/4" HEX NUT		08
06	0511059024	ENGATE TRATOR COMPLETO	16	01
07	0511066176	HITCH PIN		01
08	0503010010	1/4" X 2.1/2" COTTERPIN		01
09	0503010025	3/8 SPRING WASHER		45
10	0503010237	3/8" X 1" BOLT		21
11	0561014861	REGULATOR		01
12	0511013015	SLEEVE		01
13	0503010561	SPRING PIN		01
14	0521011107	CRANK BODY		01
15	0503030878	LEVER CRANK		01
16	0503010257	1/8" X 1" COTTERPIN		01
17	0531014340	REAR PROTECTION		01
18	0501010984	10,50 X 27 X 3,00 FLAT WASHER		42
19	0503010026	3/8" NUT		19
20	0511059105	SLUICE VALVE SUPPORT	17	01
21	0511059108	SLUICE VALVE COVER ASSY	19	01
22	0501050829	CHAIN TENSIONER	20	01
23	0511063408	REAR COVER PROTECTION		01
24	0501017574	0.3" X 2.7" AXLE		02
25	0503010140	1/8" X 3/4" COTTERPIN		02
26	0503010256	3/8" X 3/4" BOLT		12
27	0503010386	CABLE		01
28	0511043330	DRIVE SHAFT	21	01
29	0501048200	DRIVE SHAFT	22	01
30	0503030198	0.6" X 2.4" X 0.1" EXTENSION SPRING		01
31	0503062157	DRAWBAR JACK		01

Item	Code	Description	See page	QT
32	0521010549	COUPLING SHAFT		01
33	0503030168	HITCH PIN CLIP		07
34	0511041110	BELL CRANK SUPPORT FIXATION	23	01
35	0511063853	LARGER DEFLECTOR		01
36	0521017623	0.5" X 1.5" COUPLING SHAFT		06
37	0503011268	3/8" X 2-1/2" BOLT		02
38	0503013003	50-1 CHAIN X 79 LINK + REDUCTION + MENDING		01
39	0503010765	3/8" X 3" BOLT		01
40	0511059187	ASSY LADDER	25	01
41	0503034371	ADHESIVE LABEL		02
42	0503034372	ADHESIVE LABEL		02
43	0503034373	ADHESIVE LABEL		02
44	0581011220	COUPLING SHAFT		01
45	0503010131	3/16" X 1-1/2" COTTERPIN		01
46	0503012941	C-148 BELT		01
47	0503030751	REGULATOR PLATE		01
48	0503010001	3.2 X 5.5 RIVET		08
49	0503031427	ADHESIVE LABEL		01
50	0503032949	ADHESIVE LABEL		01
51	0503032425	ADHESIVE LABEL ATTENTION		01
52	0503031809	ADHESIVE LABEL		01
53	0503031827	LUBRICATE AND RETIGHTEN DAILY DECAL		01
54	0503031428	READ MANUAL DECAL		01
55	0503031859	ADHESIVE LABEL DANGER		02
56	0503031818	ADHESIVE LABEL		01
57	0503034003	SERIAL NUMBER TAG 61 X 118		01
58	0503031087	ADHESIVE LABEL		01
59	0501010942	3/8" X 1-1/4" BOLT		02
60	0503013150	1300 X 3/8 CHAIN		01
61	0591016128	SIDE PROTECTION BELT		01
62	0581017453	FLANGE PROTECTION COVER		01
63	0521068794	BELT INTERNAL PROTECTION		01
64	0503010849	3/8" X 1-1/2" BOLT		04
65	0581017469	PROTECTION SIDE		01
66	0581015152	COVER PROTECTION		01
67	0581017449	FRONT PROTECTION BELT		01
68	0581017446	CHAIN CAP		01
69	0581017496	PRISONER 3/8 UNC X 5/16 UNC X 175		03
70	0521068790	BEARING PROTECTION		01
71	0581017441	BACK COVER		01
72	0581017494	TOP PROTECTION RECAMBIO		01
73	0581017456	PROTECTION FRONT COVER		01
74	0581017457	PROTECTION FRONT COVER		01
75	0581017488	LOWER PROTECTION BOARD CARDAN		01
76	0531050102	CATALOGUE/MANUAL CANISTER ASSY	26	01
77	0503019416	RIVET SCREW THREAD INTERNAL		09
78	0591016127	SIDE PROTECTION BELT COVER		01
79	0503019413	THREAD SCREW INTERNAL		04
80	0591016144	PROTECTION BOARD CARDAN		01
81	0503035156	LABEL ADHESIVE		01
82	0581017458	AXLE PROTECTION COVER		01
83	0581017455	AXLE PROTECTION COVER		01
84	0503019729	THREAD SCREW INTERNAL		08
85	0503036144	MAXIMUM SPEED ADHESIVE LABEL		01



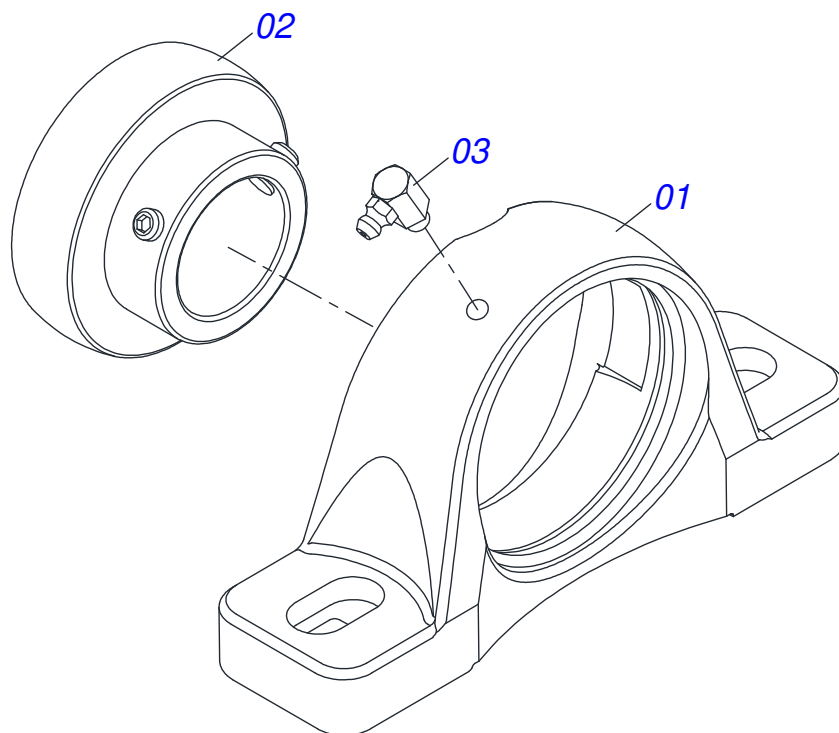
Item	Code	Description	See page	QT
01	0511063922	BUCKET		01
02	0501044308	AGRICULTURAL BEARING ASSY	4	04
03	0531014324	TOOTH COVER		01
04	0591016382	DRIVEN AXLE		01
05	0511041213	AGRICULTURAL BEARING	5	04
06	0591016381	DRIVING AXLE		01
07	0501012140	FLAT WASHER		08
08	0503010027	5/8 SPRING WASHER		08
09	0503010013	5/8 NUT		06
10	0501067853	ROD STABILIZER		02
11	0521053161	CARDAN SUPPORT WITHOUT SPRING	6	01
12	0501044306	BATH BEARING		01
13	0591016380	GEAR		06
14	0511016540	MAT COUPLING FLANGE		01
15	0511016541	REDUCTION COUPLING FLANGE		01
16	0501047985	REDUCER	7	01
17	0503010361	SPRING PIN		08
18	0531061723	BUMPER WITH CLIP		01
19	0531014331	SLUICE VALVE FIXER COVER		01
20	0503010740	BOLT 1/2 UNC X 2 CS G.5 ZN		10
21	0511017302	FLAT WASHER 13,50 X 32,50 X 3,0 ZN		28
22	0503011440	SPRING WASHER		20
23	0503010060	1/2 UNC G.5 ZN HEX NUT		20
24	0531014337	PROTECTION LARGER		02
25	0503010237	3/8" X 1" BOLT		07
26	0503011443	3/8" SPRING WASHER		17
27	0503010026	3/8" NUT		25
28	0503010751	C3/8" X 1.1/4" HEX BOLT G.5		07
29	0501010984	10,50 X 27 X 3,00 FLAT WASHER		10
30	0501010540	KEYWAY SQUARE		02
31	0503010849	3/8" X 1-1/2" BOLT		03



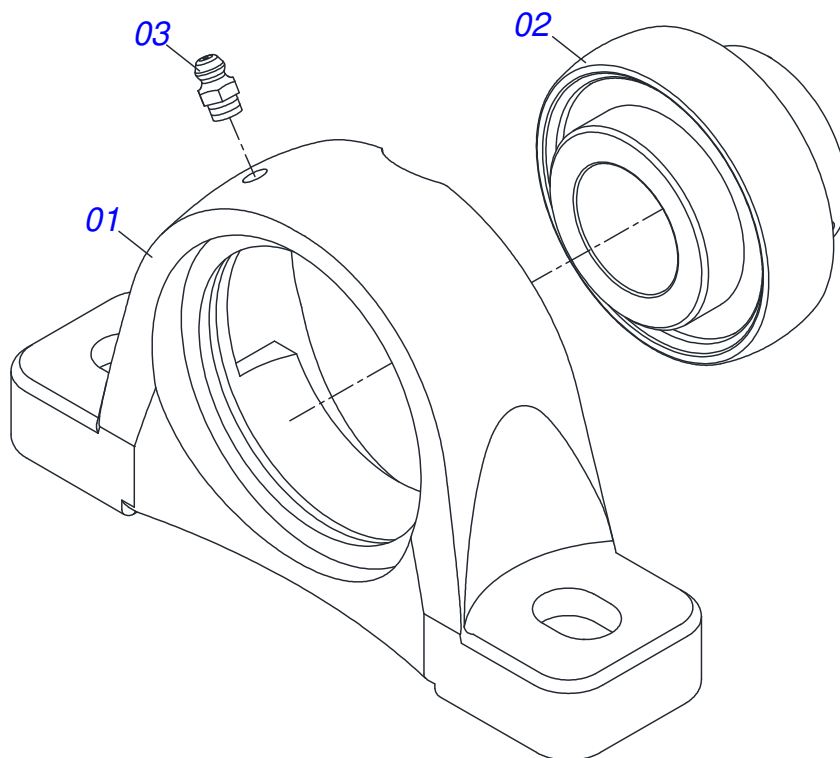
BUCKET

0501054172

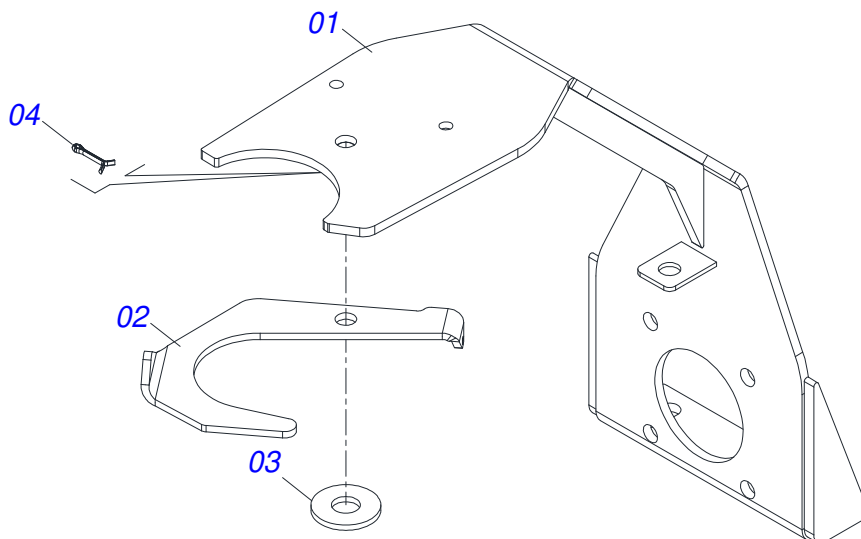
Item	Code	Description	See page	QT
32	0503011167	M16 X 2 X 30 BOLT		04
33	0501069020	35Z GEAR		02
34	0501053868	BELT TENSIONER ASSY	9	01
35	0511063668	REAR FIXER COVER		01
36	0503010920	1/2 UNC X 1.1/2 C S G.5 ZN BOLT		04
37	0511063659	RIGHT FLOW DIVIDING		01
38	0511063660	LEFT FLOW DIVIDING		01
39	0531015309	TENSIONER OPEN		01
40	0531061725	REAR DEFLECTOR SUPPORT		01
41	0501054013	RIGHT BEARRING SUPPORT DISC	10	02
42	0531061722	DIVIDER OPENING REGULATOR		02
43	0503011102	BOLT 7/16 UNC X 1.1/4 C S G.5 ZN		08
44	0503011446	SPRING WASHER		13
45	0503010244	7/16" NUT		12
46	0501053870	DISTRIBUTOR RIGHT DISC ASSY	12	01
47	0501053871	DISTRIBUTOR LEFT DISC ASSY	13	01
48	0531014330	DRIVE AXLE		01
49	0501010536	KEYWAY SQUARE		01
50	0511014052	FLAT WASHER		01
51	0503010355	7/16" X 1" BOLT		01
52	0501069017	12Z GEAR		01
53	0541014889	TRANSMISSION AXLE		01
54	0503011141	3/8" X 2-3/4" BOLT		02
55	0503011268	3/8" X 2-1/2" BOLT		01
56	0531050090	DRAWBOLT ASSY	14	01
57	0501010794	HIDR CHOCK REGULATOR		04
58	0511065278	DRIVE THE TRANSPORT TALISCA		01
59	0503010233	5/8" X 2-1/2" BOLT		04
60	0503010756	0.2" X 2.4" SPRING PIN		06
61	0503011135	BOLT		04
62	0521068825	SUPPORT AXLE PROTECTION		01
63	0503010905	1/2" X 2-1/4" BOLT		02
64	0531050089	FULL DISK PROTECTOR	15	01
65	0581017505	INTERMEDIARY SUPPORT AXLE PROTECTION		01
66	0521068791	TRANSMISSION PROTECTION COVER		01
67	0521068822	BEARING PROTECTION		03
68	0503010238	BOLT 1/2 UNC X 1.3/4 CS G.2 ZN		04
69	0581017504	BEARING PROTECTION SUPPORT		01
70	0581015151	FIXING BODY COVER PROTECTION		01
71	0591016126	FIXING BODY SIDE PROTECTION BELT		01
72	0502012936	1 C X 219 X 30 PULLEY		01
73	0501010942	3/8" X 1-1/4" BOLT		01



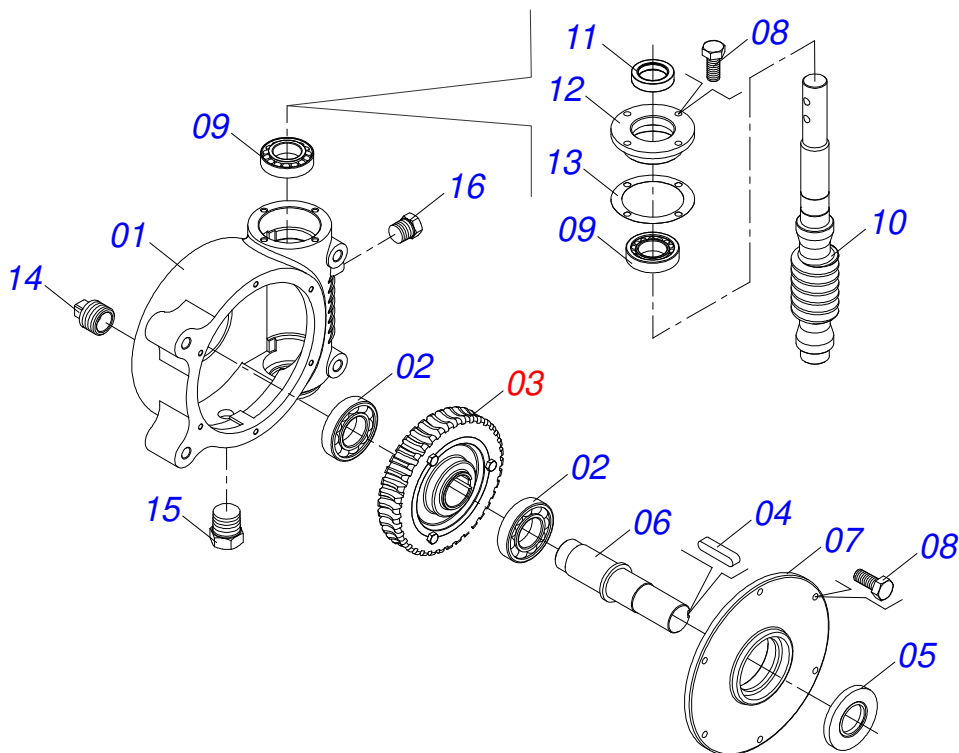
Item	Code	Description	See page	QT
01	0502011050	AGRICULTURAL HOUSING BEARING		01
02	0503011163	1108/UCR BEARING ASSY		01
03	0503010004	1890 GREASE FITTING		01



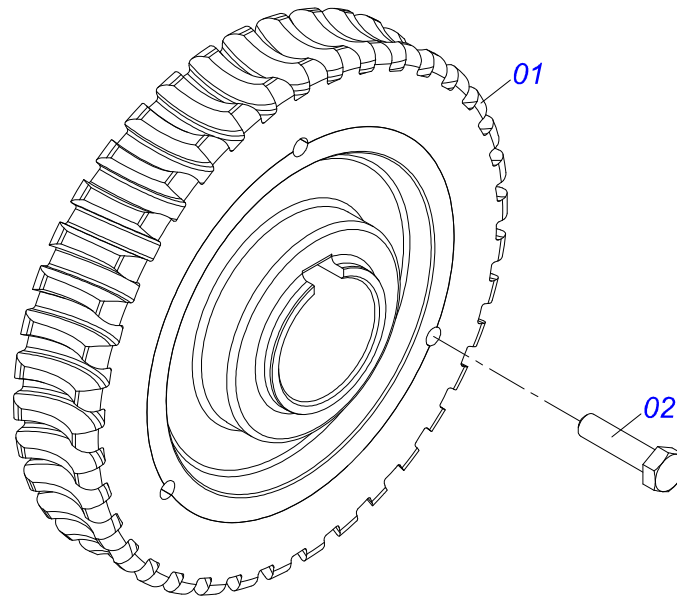
Item	Code	Description	See page	QT
01	0502011954	AGRICULTURAL HOUSING BEARING		01
02	0503011884	BALL BEARING		01
03	0503010691	1/4" GREASE FITTING		01



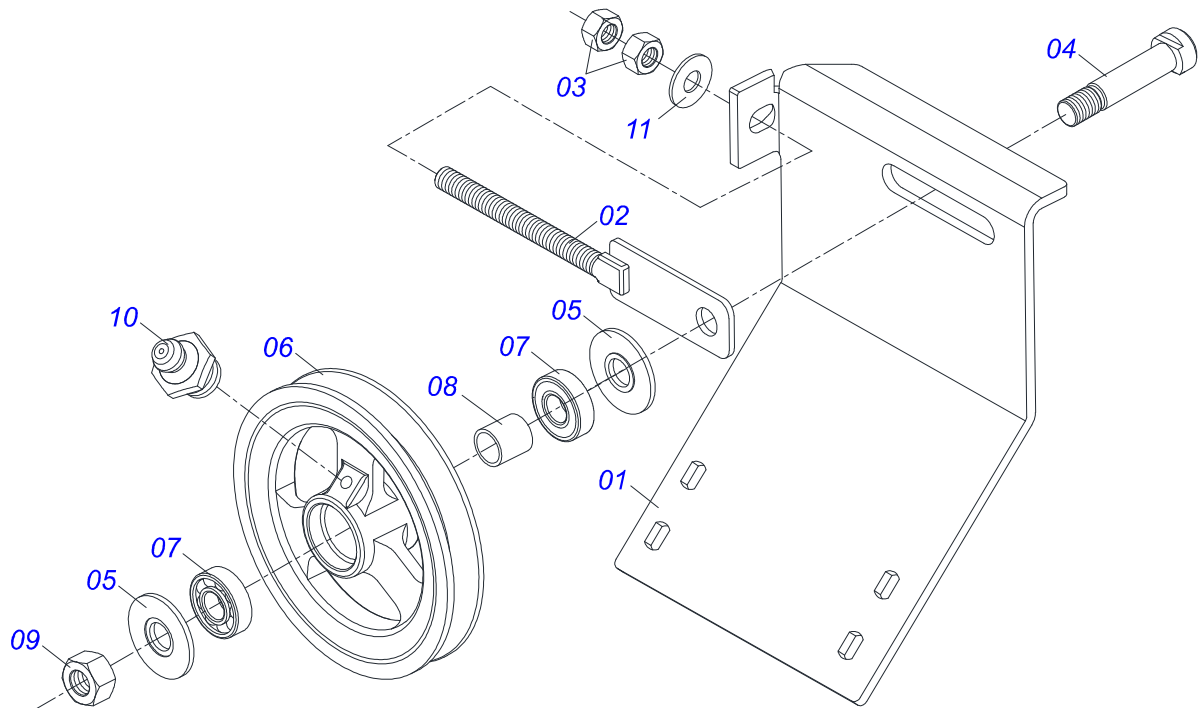
Item	Code	Description	See page	QT
01	0521068817	SUPPORT SUSTENANCE CARDAN		01
02	0511014066	CARDAN SMALLE SUPPORT		01
03	0511017302	FLAT WASHER 13,50 X 32,50 X 3,0 ZN		01
04	0503010257	1/8" X 1" COTTERPIN		01



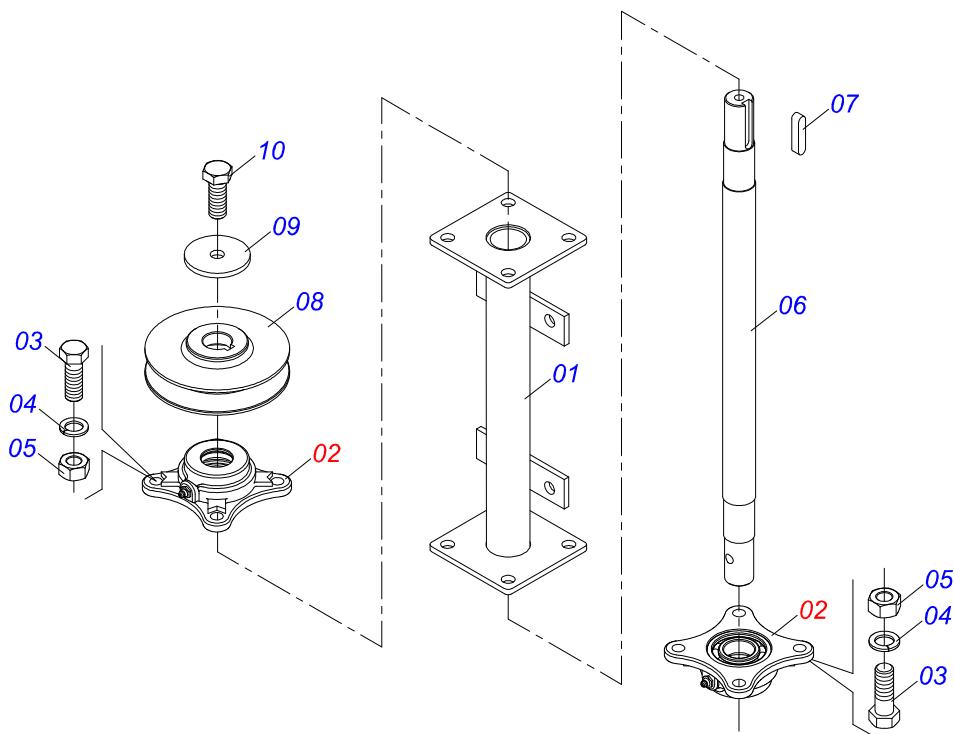
Item	Code	Description	See page	QT
01	0502011456	REDUCTION BOX		01
02	0503011095	6208 BALL BEARING		02
03	0501051774	38Z CROWN	8	01
04	0503011304	1/2" X 2.4" KEYWAY SQUARE		01
05	0503010818	02675-BRG SEAL		01
06	0521010996	AXLE		01
07	0502020556	LARGER COVER		01
08	0503010240	BOLT		10
09	0503010016	BEARING LM		02
10	0521010997	SCREW THEAD		01
11	0503011171	00912-BRG SEAL		01
12	0502011457	SMALLER COVER		01
13	0503030981	102 X 75,5 X 0,10 JOINT		01
14	0521011023	PLUG		01
15	0513010009	LEVEL DISPLAY		01
16	0503010856	OIL PLUG		01



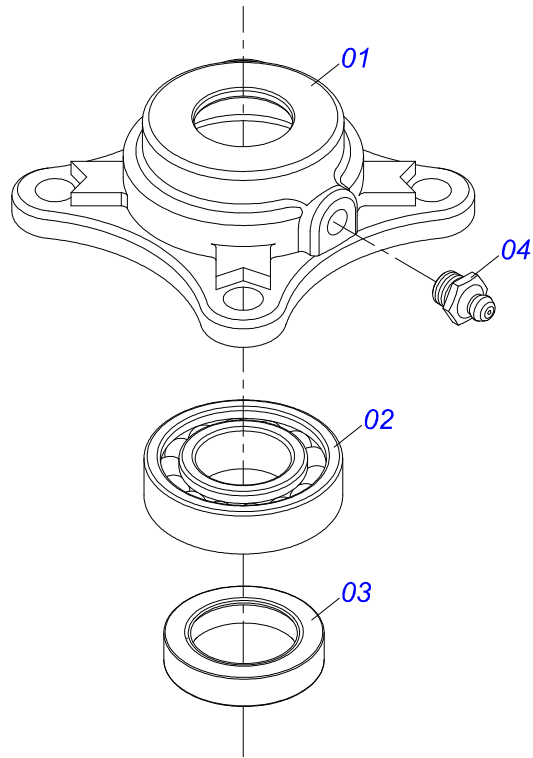
Item	Code	Description	See page	QT
01	0501110280	38Z CONICAL		01
02	0503010365	BOLT 5/16 UNC X 1.1/4 C S G.5 ZN		03



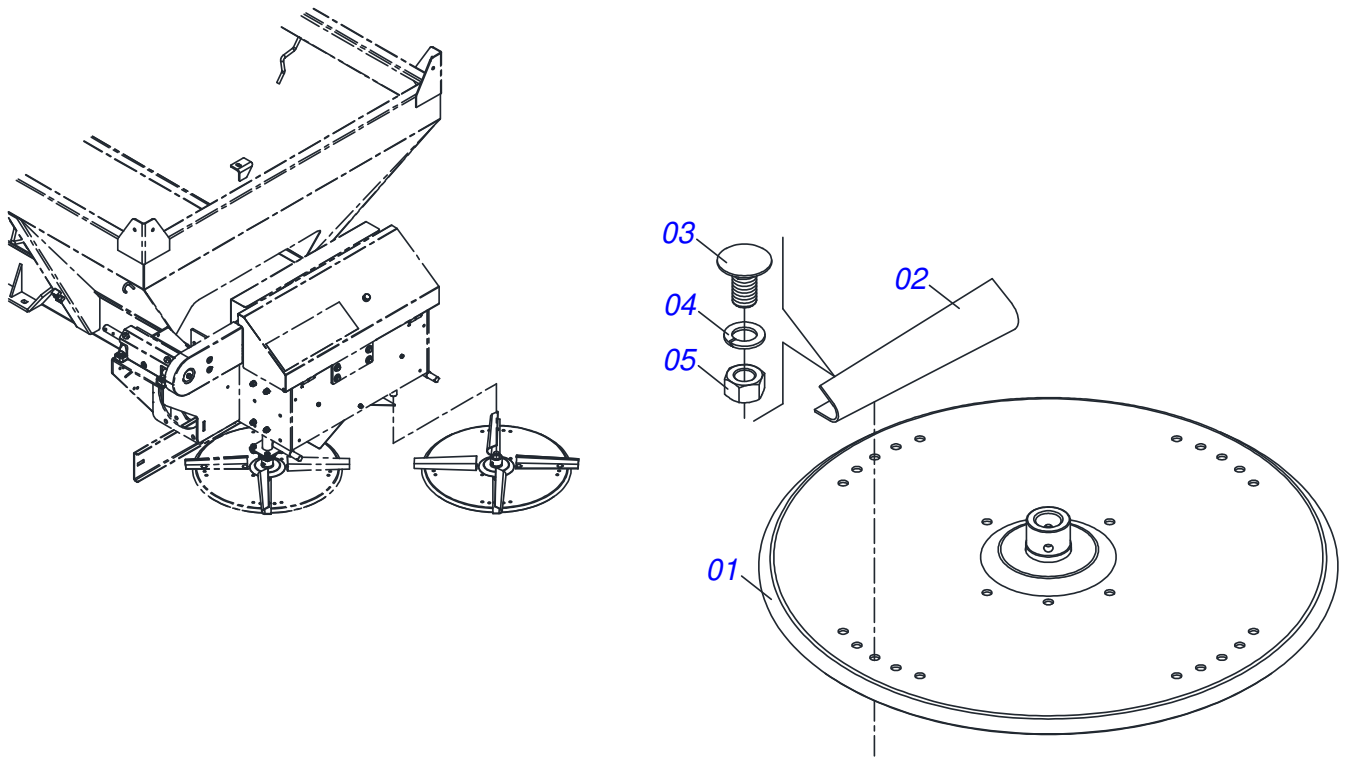
Item	Code	Description	See page	QT
01	0531014326	PULLEY BODY SUPPORT		01
02	0511064818	PULLEY TENSIONER		01
03	0503010013	5/8 NUT		02
04	0511012362	TIGHTENER AXLE PULLEY		01
05	0501019288	WASHER SPACER		02
06	0502011366	REEL 1C 8.3" X 1.6" PULLEY		01
07	0503010690	6204 BALL BEARING		02
08	0521010497	0.8" X 1.1" X 1.1" SPACER		01
09	0503010014	3/4" HEX NUT		01
10	0503010002	1800 GREASE FITTING		01
11	0501012140	FLAT WASHER		01



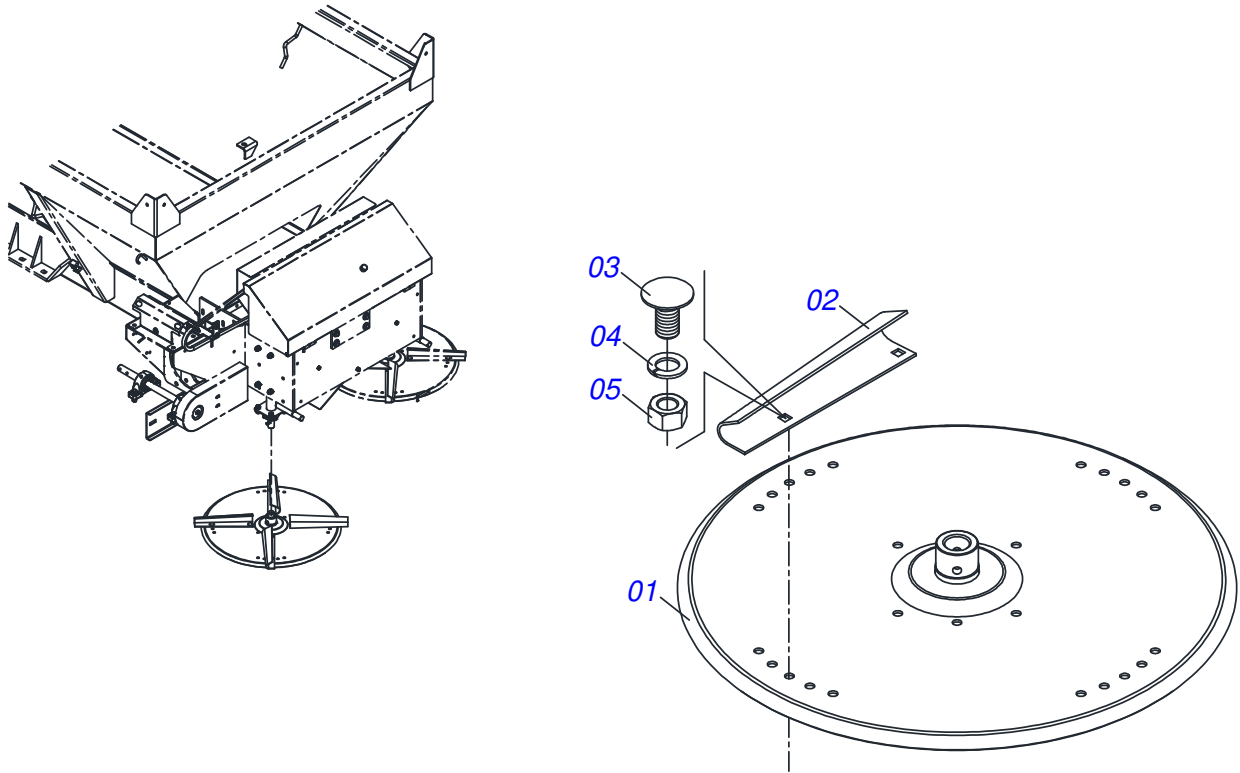
Item	Code	Description	See page	QT
01	0511063742	DISTRIBUTOR RIGHT/LEFT SUPPORT		01
02	0501048000	AGRICULTURAL BEARING	11	02
03	0503011135	BOLT		08
04	0503011446	SPRING WASHER		08
05	0503010244	7/16" NUT		08
06	0511016489	DISTRIBUTOR AXLE CONDUCTOR DISC		01
07	0501010536	KEYWAY SQUARE		01
08	0502011361	REEL 1C 5.5" X 1.1" PULLEY		01
09	0511014052	FLAT WASHER		01
10	0503010237	3/8" X 1" BOLT		01



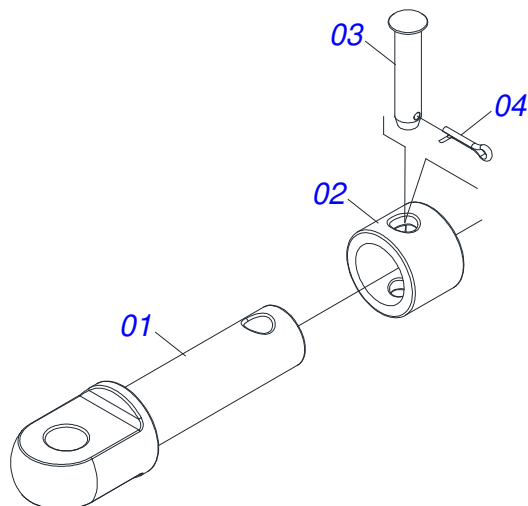
Item	Code	Description	See page	QT
01	0502011442	AGRICULTURAL HOUSING BEARING		01
02	0503010276	6206 BALL BEARING		01
03	0503011865	SEAL		01
04	0503010002	1800 GREASE FITTING		01



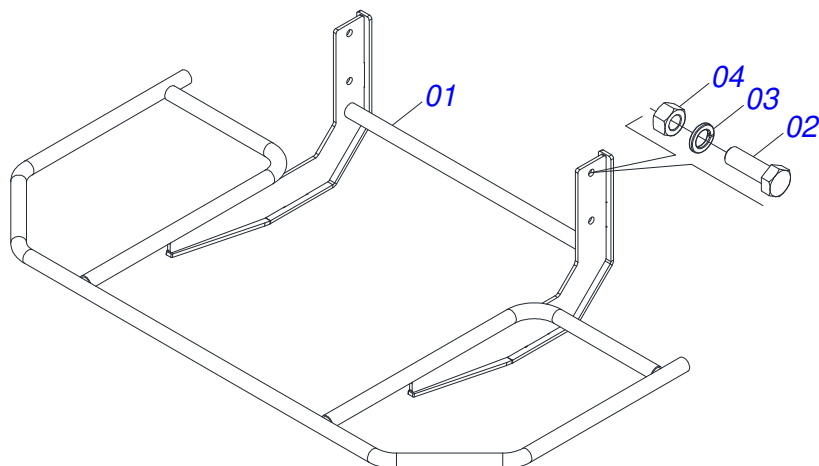
Item	Code	Description	See page	QT
01	0511063411	DISTRIBUTOR DISC		01
02	0531014343	RH FLIP		04
03	0503013029	3/8" X 3/4" BOLT		08
04	0503011443	3/8" SPRING WASHER		08
05	0503010026	3/8" NUT		08



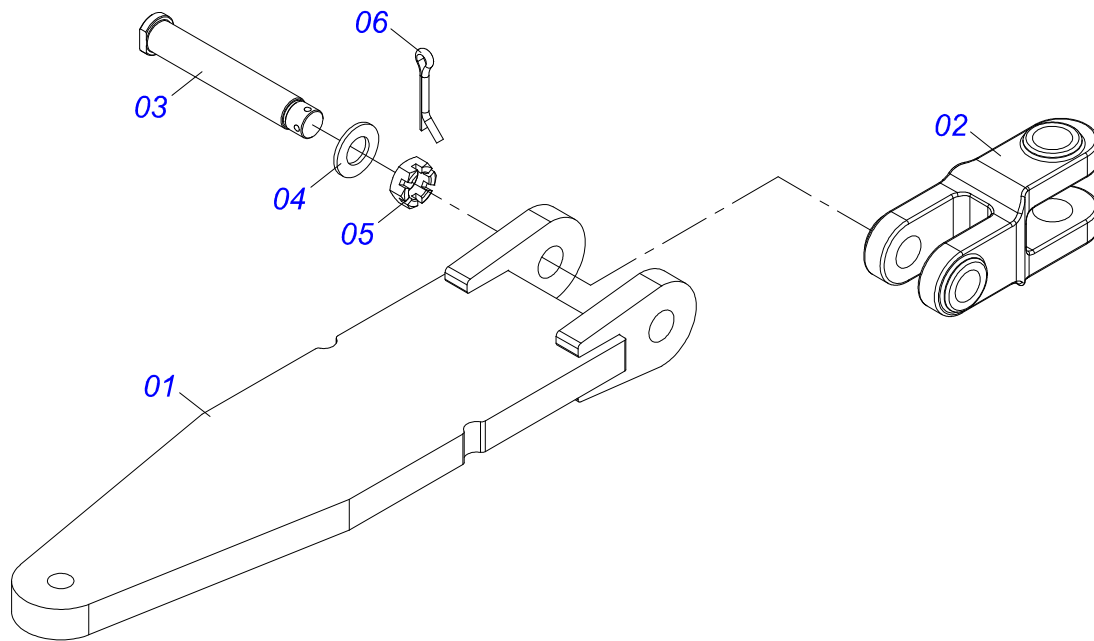
Item	Code	Description	See page	QT
01	0511063411	DISTRIBUTOR DISC		01
02	0531014344	LH FLIP		04
03	0503013029	3/8" X 3/4" BOLT		08
04	0503011443	3/8" SPRING WASHER		08
05	0503010026	3/8" NUT		08



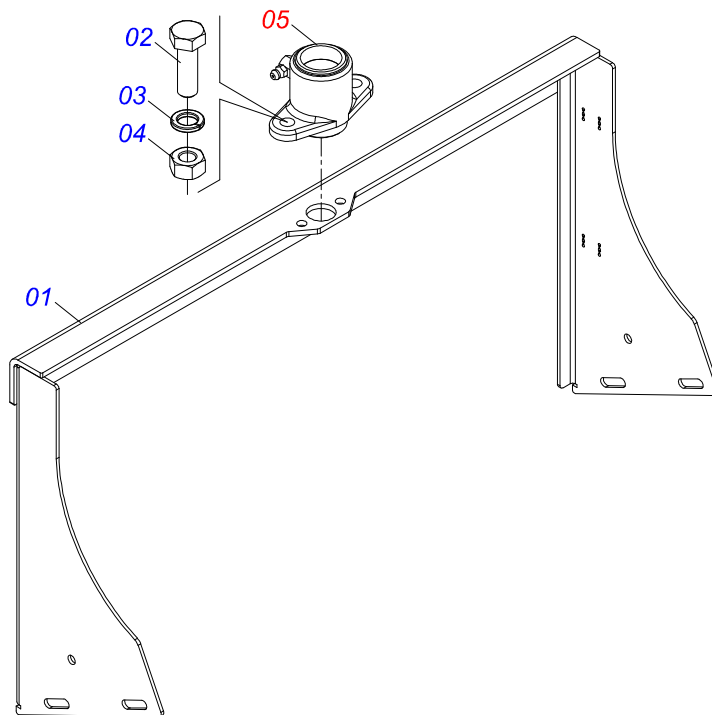
Item	Code	Description	See page	QT
01	1902040223	PIN HITCH		01
02	1902040327	LOCK SLEEVE		01
03	0521010579	COUPLING SHAFT		01
04	0503010571	1/4" X 1.1/2 COTTERPIN		01



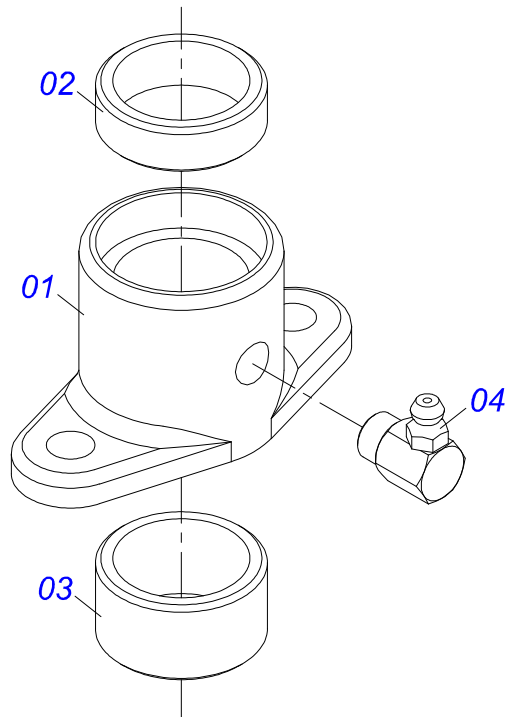
Item	Code	Description	See page	QT
01	0531061724	DISK PROTECTOR		01
02	0503010920	1/2 UNC X 1.1/2 C S G.5 ZN BOLT		04
03	0503011440	SPRING WASHER		04
04	0503010060	1/2 UNC G.5 ZN HEX NUT		04



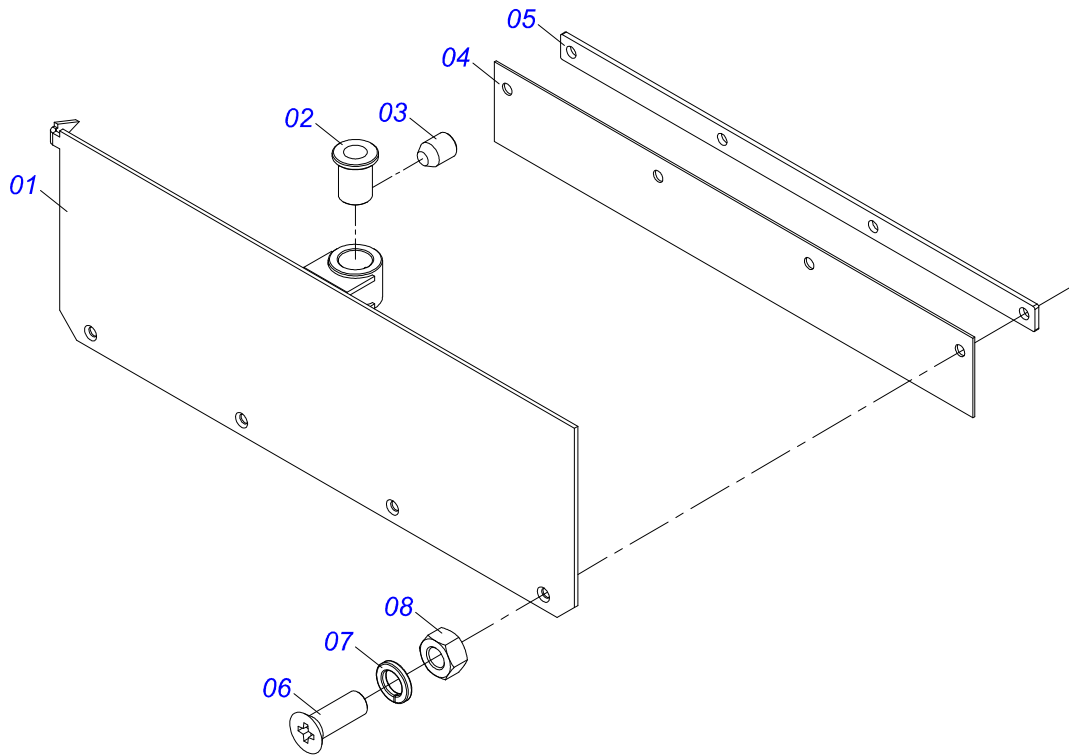
Item	Code	Description	See page	QT
01	0511066154	SEMI COUPLING		01
02	1902040330	TRACTOR HITCH		01
03	0541014957	PIN DRAG		01
04	0501017779	32 X 60 X 4.75 FLAT WASHER		01
05	0503011052	1.1/4" X 0.77" CASTLE NUT		01
06	0503010010	1/4" X 2.1/2" COTTERPIN		01



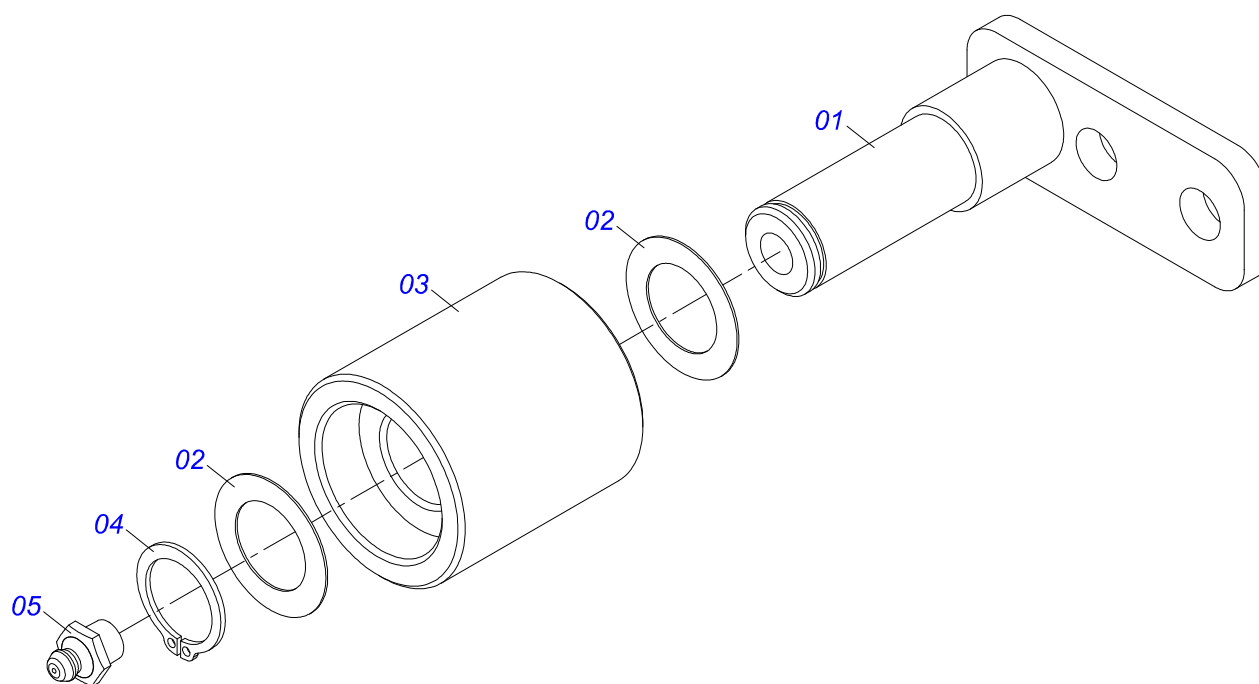
Item	Code	Description	See page	QT
01	0511063410	SLUICE VALVE SUPPORT		01
02	0503010363	BOLT 5/16 UNC X 1 C S G.2 ZN		02
03	0503011444	SPRING WASHER		02
04	0503010337	5/16" NUT		02
05	0511059094	SHAFT BEARING THREADED	18	01



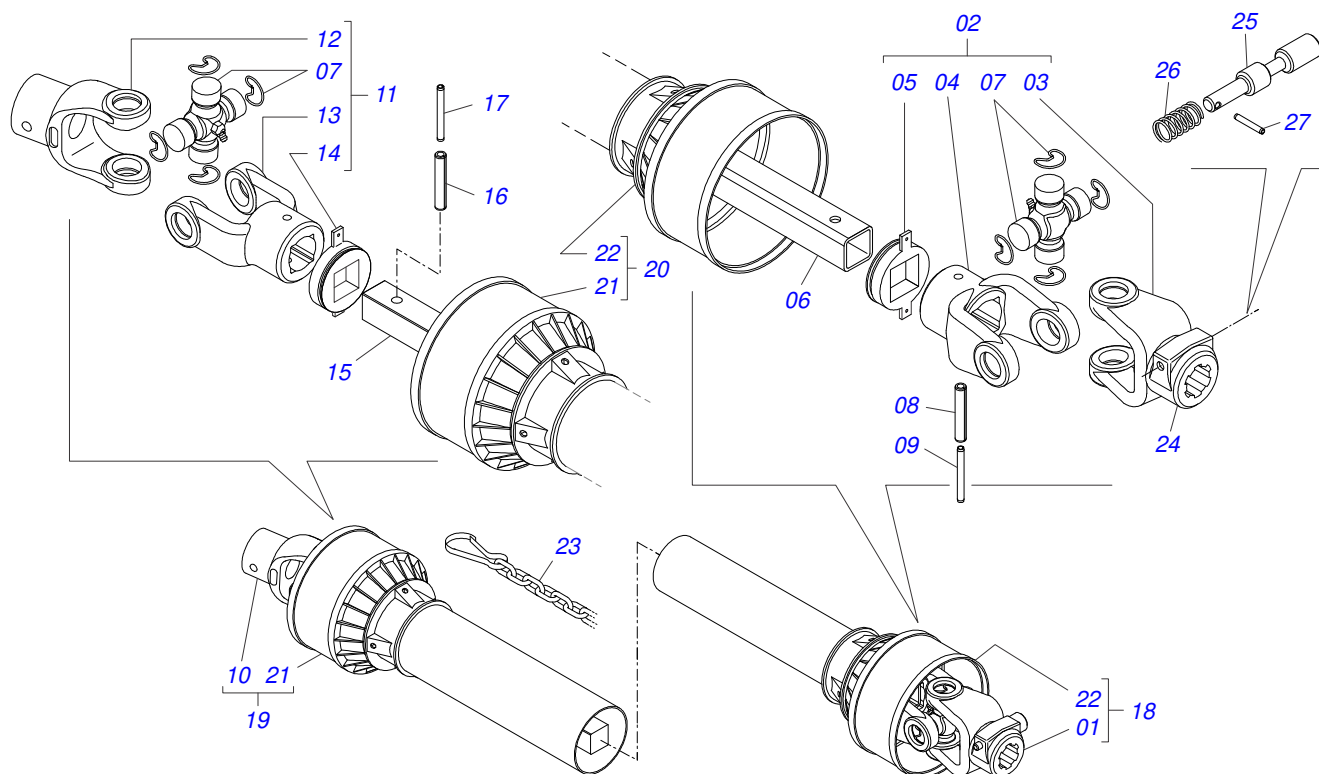
Item	Code	Description	See page	QT
01	0502010581	ROD BEARING		01
02	0521010458	SLEEVE		01
03	0521010457	SLEEVE		01
04	0503010004	1890 GREASE FITTING		01



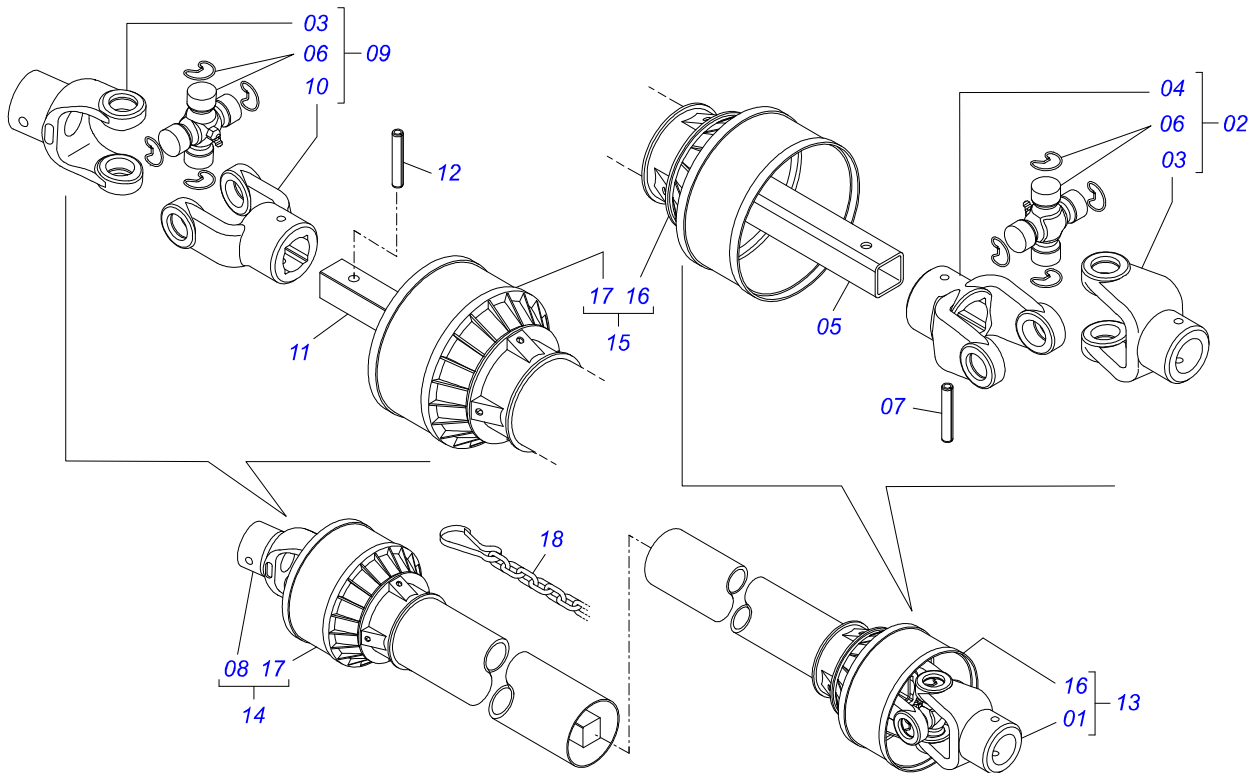
Item	Code	Description	See page	QT
01	0511063413	SLUICE VALVE COVER		01
02	0501019831	ADJUSTING NUT		01
03	0503011148	3/8" X 1/2" BOLT		01
04	0531014336	31.4"X3.1"X 0.1" PROTECTION SMALLER		01
05	0531014331	SLUICE VALVE FIXER COVER		01
06	0503010546	5/16" X 7/8" BOLT		05
07	0503011444	SPRING WASHER		05
08	0503010337	5/16" NUT		05



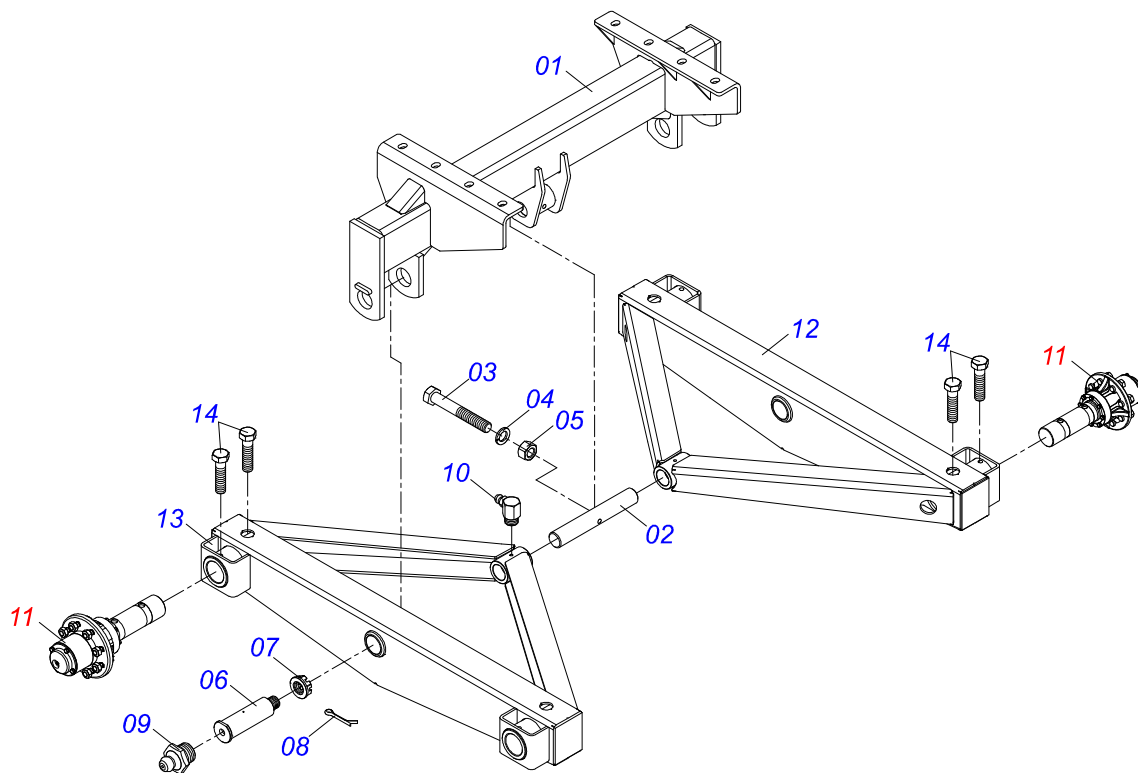
Item	Code	Description	See page	QT
01	0501067692	BELT TENSIONER BODY		01
02	0511015098	FLAT WASHER		02
03	0511017041	TENSIONER ROLD		01
04	0503010302	501019 SEAL RING		01
05	0503010002	1800 GREASE FITTING		01



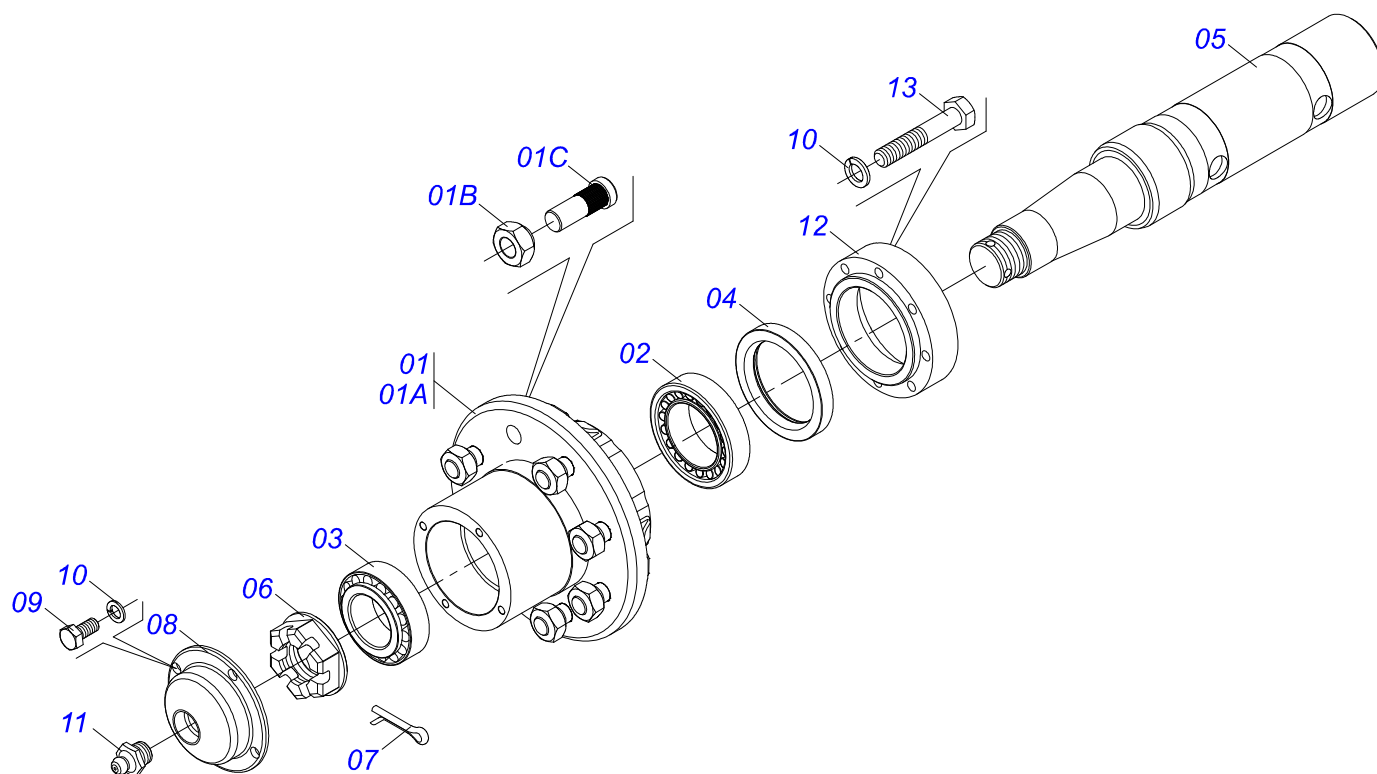
Item	Code	Description	See page	QT
01	0501056756	UNIVERSAL JOINT		01
02	0501050265	UNIVERSAL JOINT		01
03	0502010563	1-40 STRIATED 1.3/8" TERMINAL		01
04	0502010563	1-40 STRIATED 1.3/8" TERMINAL		01
05	0503012069	ADAPTER FOR BUSHING PROTECT		01
06	0501017427	20" X 1.5" SQUARE SLEEVE		01
07	0503010836	CARDAN CROSSPIECE		01
08	0503011069	0.4" X 2.8" SPRING PIN		01
09	0503010510	0.2" X 2.6" SPRING PIN		01
10	0501056755	UNIVERSAL JOINT		01
11	0501052178	UNIVERSAL JOINT		01
12	0502011611	9-40 TERMINAL		01
13	0502010566	3-40 TERMINAL WITH SH 1.2"/1.2"		01
14	0503012070	ADAPTER FOR AXLE PROTECTION		01
15	0501017423	1.2" X 19.6" SQUARE SHAFT		01
16	0503010361	SPRING PIN		01
17	0503010756	0.2" X 2.4" SPRING PIN		01
18	0501052179	PROT/SLEEVE UNIVERSAL JOINT		01
19	0501052180	PROT/AXLE UNIVERSAL JOINT		01
20	0503012277	PROTECTION ASSY		01
21	0503012278	PROTECTION FOR UNIV JOINT SLEEVE		01
22	0503012279	PROTECTION FOR UNIV JOINT AND AXLE		01
23	0503012023	CHAIN FOR PROTECTION		02
24	0502010563	1-40 STRIATED 1.3/8" TERMINAL		01
25	0521010638	13,70 X 78 HITCH PIN		01
26	0503030518	0.5"X1.0"X 0.1" COMPRESSION SPRING		01
27	0503010838	0.1" X 0.8" SPRING PIN		01



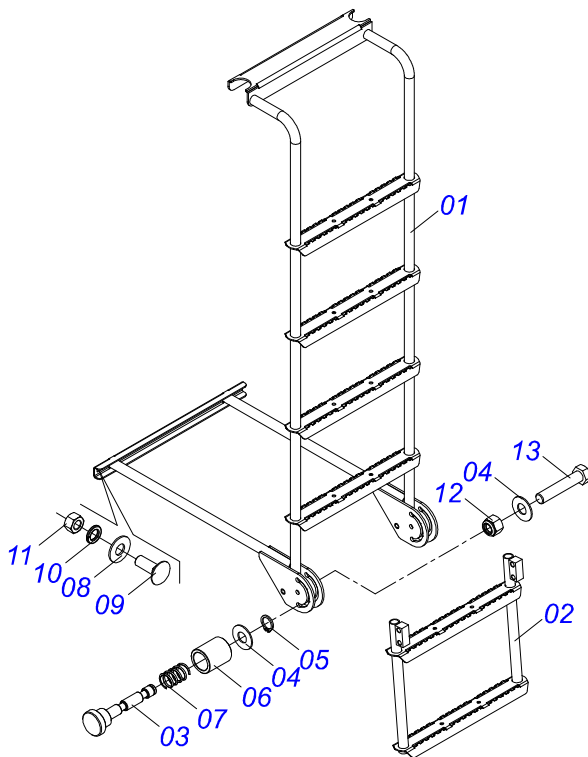
Item	Code	Description	See page	QT
01	0501052171	SLEEVE UNIVERSAL JOINT		01
02	0501051718	UNIVERSAL JOINT		01
03	0502010558	4-20 TERMINAL WITH ROLES		02
04	0502011426	2-20 TERMINAL		01
05	0521013799	0.9" X 47" SQUARE SLEEVE		01
06	0503010835	CARDAN CROSSPIECE		02
07	0503010839	03"X 0.6" SPRING PIN		01
08	0501052172	AXLE UNIVERSAL JOINT		01
09	0501051720	UNIVERSAL JOINT		01
10	0502011427	3-20 TERMINAL		01
11	0521013796	0.9" X 47" SQUARE SHAFT		01
12	0503010301	0.3" X 1.8" SPRING PIN		01
13	0501052170	PROT/SLEEVE UNIVERSAL JOINT		01
14	0501052173	PROT/AXLE UNIVERSAL JOINT		01
15	0503012274	PROTECTION ASSY		01
16	0503012275	PROTECTION FOR UNIV JOINT SLEEVE		01
17	0503012276	PROTECTION FOR UNIV JOINT AND AXLE		01
18	0503012023	CHAIN FOR PROTECTION		02



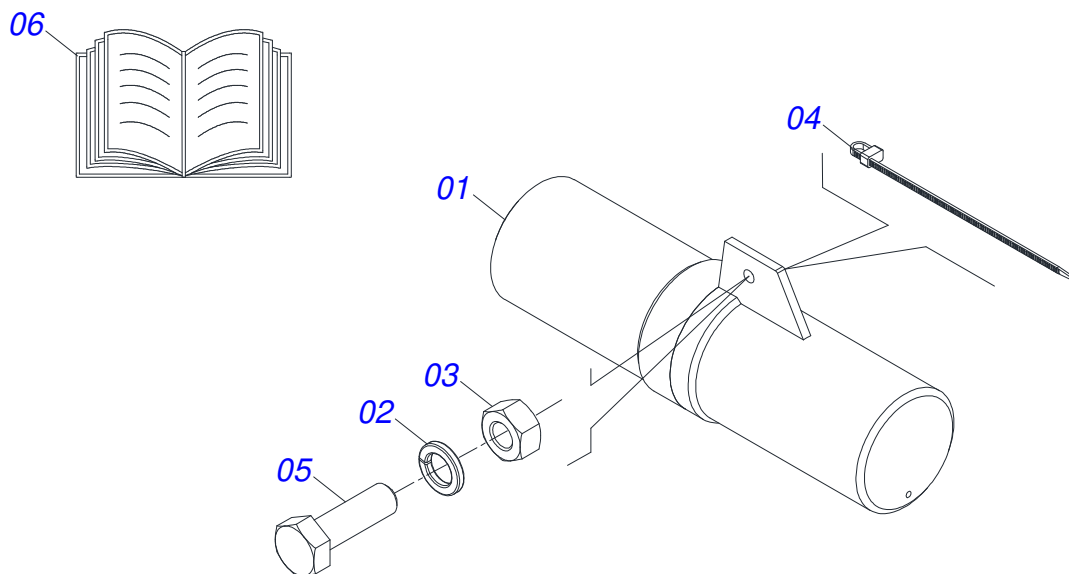
Item	Code	Description	See page	QT
01	0511063936	ROCKER ARM FIXER SUPPORT		01
02	0531016579	CENTRAL AXLE		01
03	0503010547	1/2" X 4" BOLT		01
04	0503011440	SPRING WASHER		01
05	0503010060	1/2 UNC G.5 ZN HEX NUT		01
06	0521069954	COUPLING SHAFT 60,10 X 183		02
07	0501011301	1.1/2 UNC 6FPP 2.5/16 NUT		02
08	0503010010	1/4" X 2.1/2" COTTERPIN		02
09	0503010002	1800 GREASE FITTING		02
10	0503010004	1890 GREASE FITTING		02
11	0501056347	CARRYING WHEELS WITHOUT TIRE	24	04
12	0511066145	RIGHT ROCKER ARM		01
13	0511066146	LEFT ROCKER ARM		01
14	0503010233	5/8" X 2-1/2" BOLT		08



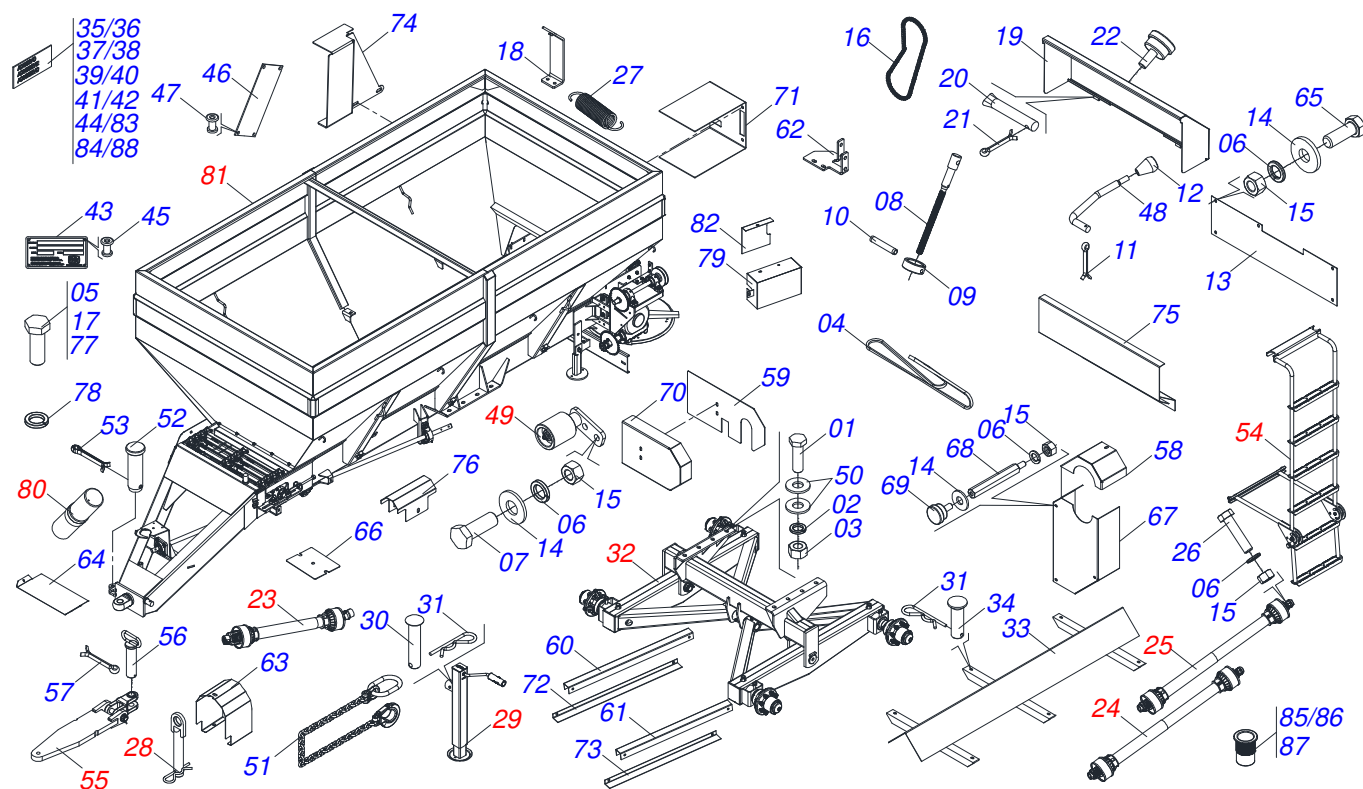
Item	Code	Description	See page	QT
01	0501110763	CARRYING WHEEL HUB		01
01A	0502012318	CARRYING WHEEL HUB		01
01B	0503010064	5/8 UNF CONIC NUT		08
01C	0501011052	5/8" X 1-3/4" BOLT		08
02	0503013453	SKF 33011 ROLLER BEARING		01
03	0503013454	SKF 33109 ROLLER BEARING		01
04	0503010086	SEAL 0009B-B		01
05	0541015586	WHEEL AXLE		01
06	0501010630	1.1/2" CASTLE NUT		01
07	0503010523	1/4" X 2" COTTERPIN		01
08	0502020592	COVER		01
09	0503010295	SCREW 5/16 UNC X 5/8 CS G.2 ZN		04
10	0503011444	SPRING WASHER		12
11	0503010002	1800 GREASE FITTING		01
12	0502012175	SEAL FLANGE		01
13	0503010397	5/16" X 1-3/4" BOLT		08



Item	Code	Description	See page	QT
01	0521067129	LADDER		01
02	0521067130	LADDER EXTENDER		01
03	0571019930	EXTENSION LOCK AXLE		01
04	0501013519	FLAT WASHER		03
05	0503010291	501012 CLAMPING RING (FOR AXLE)		01
06	0571019931	GUIDE GLOVE		01
07	0503032035	0.7" X 1.2" X 1" COMPRESSION SPRING		01
08	0501013518	FLAT WASHER		02
09	0501011643	3/8 X 1" BOLT		02
10	0503010025	3/8 SPRING WASHER		02
11	0503010026	3/8" NUT		02
12	0503010589	1/2" UNC SELF ADJUSTING NUT		02
13	0503010734	1/2" X 2-1/2" BOLT		02



Item	Code	Description	See page	QT
01	0503060100	INSTRUCTIONS MANUAL CANISTER		01
02	0503010179	LOCK WASHER 5/16 ZN 1K01528		01
03	0503010337	5/16" NUT		01
04	0503010267	NYLON CLAMP		01
05	0503010363	BOLT 5/16 UNC X 1 C S G.2 ZN		01
06	0501036432	CAT BAG / MANUAL		01



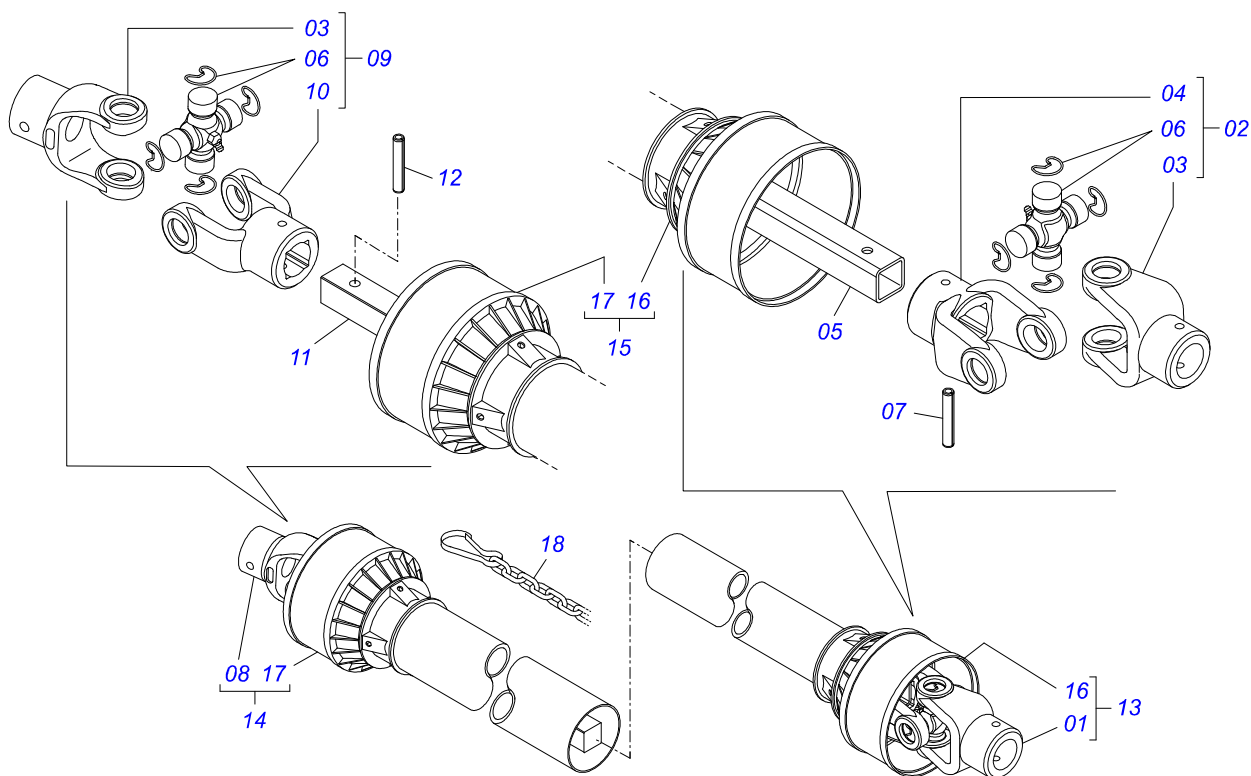
Item	Code	Description	See page	QT
01	0501010125	3/4" X 2-1/2" BOLT		08
02	0503010023	3/4" SPRING WASHER		08
03	0503010014	3/4" HEX NUT		06
04	0503012941	C-148 BELT		01
05	0503010751	C3/8" X 1.1/4" HEX BOLT G.5		02
06	0503010025	3/8 SPRING WASHER		32
07	0503010237	3/8" X 1" BOLT		11
08	0561014861	REGULATOR		01
09	0511013015	SLEEVE		01
10	0503010561	SPRING PIN		01
11	0503010257	1/8" X 1" COTTERPIN		01
12	0503030878	LEVER CRANK		01
13	0531014340	REAR PROTECTION		01
14	0501010984	10,50 X 27 X 3,00 FLAT WASHER		36
15	0503010026	3/8" NUT		24
16	0503011351	50-1 CHAIN X 79 LINK + MENDING		01
17	0503010256	3/8" X 3/4" BOLT		19
18	0511063668	REAR FIXER COVER		01
19	0511063408	REAR COVER PROTECTION		01
20	0501017574	0.3" X 2.7" AXLE		02
21	0503010140	1/8" X 3/4" COTTERPIN		02
22	0503010386	CABLE		01
23	0511043330	DRIVE SHAFT	21	01
24	0501048409	DRIVE SHAFT	28	01
25	0501048783	DRIVE SHAFT	29	01
26	0503011268	3/8" X 2-1/2" BOLT		05
27	0503030198	0.6" X 2.4" X 0.1" EXTENSION SPRING		01
28	0501047881	AXIS JOINT ASSY	30	01
29	0503062157	DRAWBAR JACK		01
30	0521010549	COUPLING SHAFT		01
31	0503030168	HITCH PIN CLIP		07



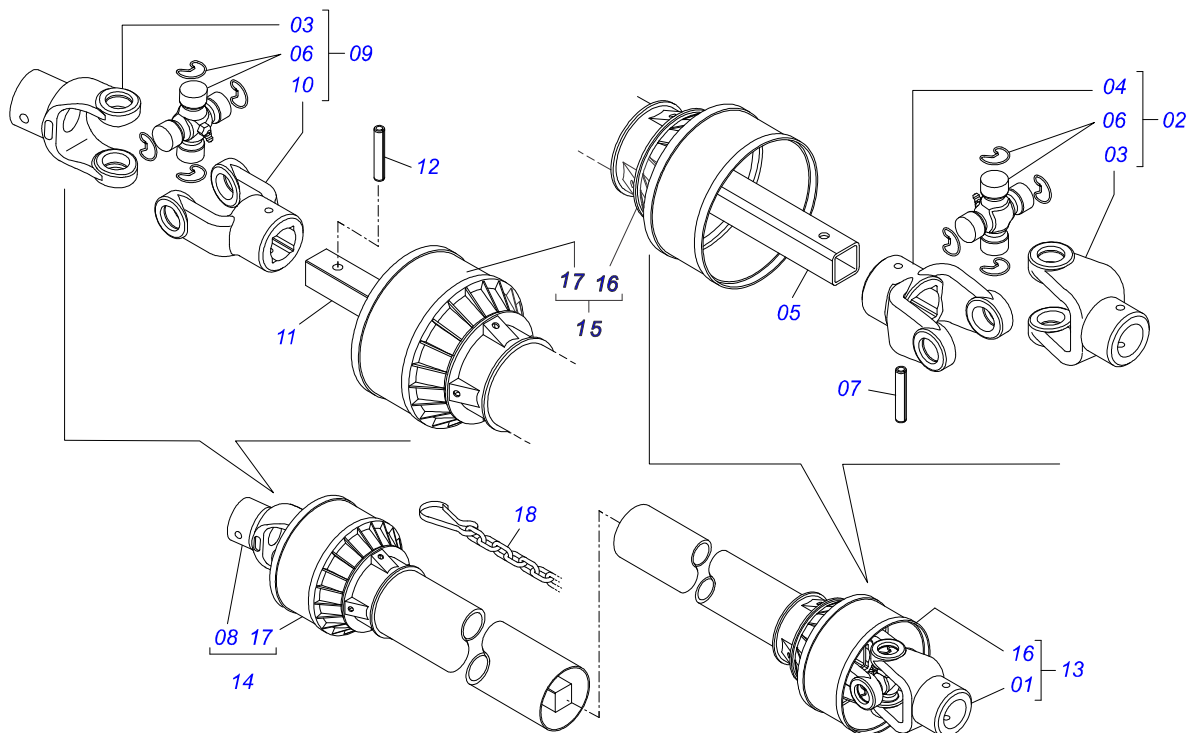
ASSY FRAME

0521042717

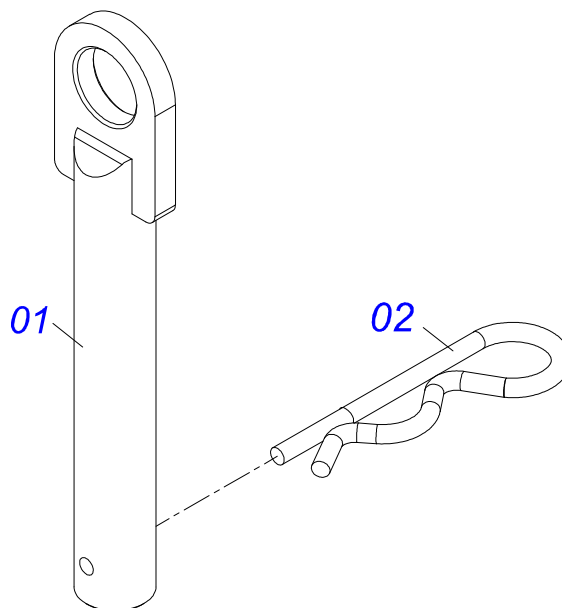
Item	Code	Description	See page	QT
32	0521042718	BELL CRANK SUPPORT FIXATION	31	01
33	0511063853	LARGER DEFLECTOR		01
34	0521017623	0.5" X 1.5" COUPLING SHAFT		06
35	0503034371	ADHESIVE LABEL		02
36	0503031859	ADHESIVE LABEL DANGER		02
37	0503031428	READ MANUAL DECAL		01
38	0503031827	LUBRICATE AND RETIGHTEN DAILY DECAL		01
39	0503031087	ADHESIVE LABEL		01
40	0503031809	ADHESIVE LABEL		01
41	0503031818	ADHESIVE LABEL		01
42	0503032425	ADHESIVE LABEL ATTENTION		01
43	0503034003	SERIAL NUMBER TAG 61 X 118		01
44	0503032949	ADHESIVE LABEL		01
45	0503010001	3.2 X 5.5 RIVET		04
46	0503030751	REGULATOR PLATE		01
47	0503012209	RIVET POP		04
48	0521011107	CRANK BODY		01
49	0501050829	CHAIN TENSIONER	20	01
50	0501010322	FLAT WASHER		16
51	0503013150	1300 X 3/8 CHAIN		01
52	0581011220	COUPLING SHAFT		01
53	0503010131	3/16" X 1-1/2" COTTERPIN		01
54	0511059187	ASSY LADDER	25	01
55	0511059024	ENGATE TRATOR COMPLETO	16	01
56	0511066176	HITCH PIN		01
57	0503010010	1/4" X 2.1/2" COTTERPIN		01
58	0581017494	TOP PROTECTION RECAMBIO		01
59	0521068792	COVER PROTECTION		01
60	0581017455	AXLE PROTECTION COVER		01
61	0581017458	AXLE PROTECTION COVER		01
62	0521068801	SUPPORT BELT PROTECTION		01
63	0581017468	PROTECTION BODY		01
64	0581017449	FRONT PROTECTION BELT		01
65	0503010849	3/8" X 1-1/2" BOLT		06
66	0581017488	LOWER PROTECTION BOARD CARDAN		02
67	0581017446	CHAIN CAP		01
68	0581017496	PRISONER 3/8 UNC X 5/16 UNC X 175		03
69	0503010386	CABLE		03
70	0591016128	SIDE PROTECTION BELT		01
71	0581017453	FLANGE PROTECTION COVER		01
72	0581017456	PROTECTION FRONT COVER		01
73	0581017457	PROTECTION FRONT COVER		01
74	0581017469	PROTECTION SIDE		01
75	0521068794	BELT INTERNAL PROTECTION		01
76	0581015152	COVER PROTECTION		01
77	0503010240	BOLT		02
78	0503010179	LOCK WASHER 5/16 ZN 1K01528		02
79	0521068790	BEARING PROTECTION		01
80	0531050102	CATALOGUE/MANUAL CANISTER ASSY	26	01
81	0511053905	BUCKET	33	01
82	0581017441	BACK COVER		01
83	0503034372	ADHESIVE LABEL		02
84	0503034373	ADHESIVE LABEL		02
85	0503019416	RIVET SCREW THREAD INTERNAL		09
86	0503019729	THREAD SCREW INTERNAL		08
87	0503019413	THREAD SCREW INTERNAL		04
88	0503035156	LABEL ADHESIVE		01



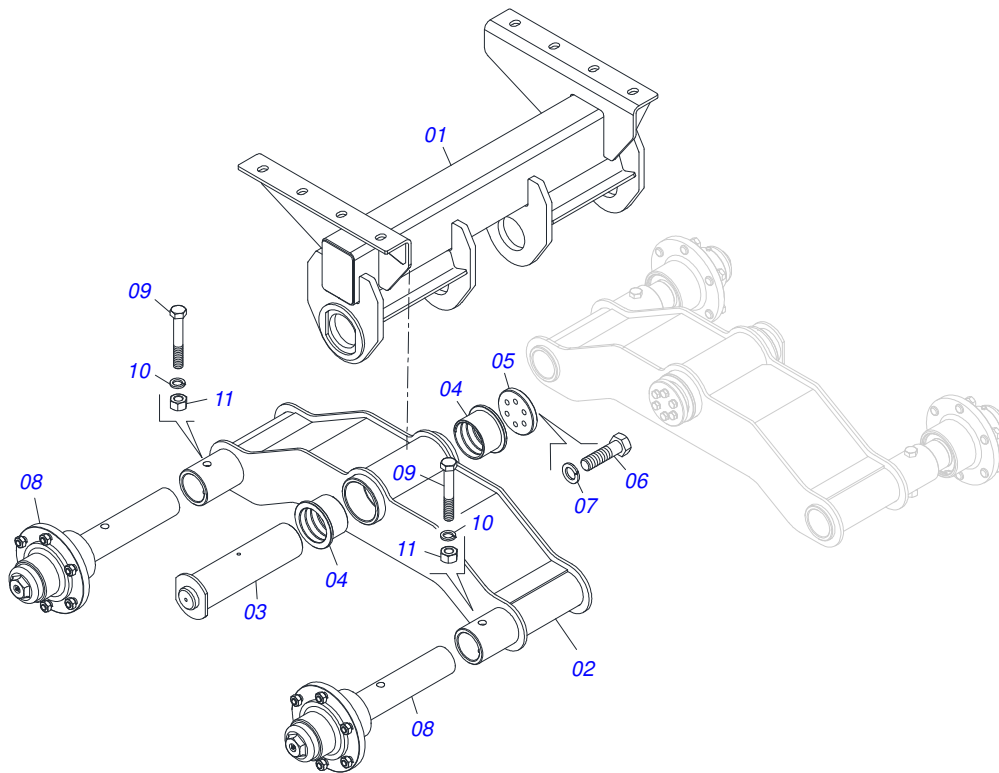
Item	Code	Description	See page	QT
01	0501052160	SLEEVE UNIVERSAL JOINT		01
02	0501051718	UNIVERSAL JOINT		01
03	0502010558	4-20 TERMINAL WITH ROLES		02
04	0502011426	2-20 TERMINAL		01
05	0521013797	0.9"X1.1"X31.5" SQUARE SLEEVE		01
06	0503010835	CARDAN CROSSPICE		02
07	0503010839	03"X 0.6" SPRING PIN		01
08	0501052161	UNIVERSAL JOINT WITH AXLE		01
09	0501051720	UNIVERSAL JOINT		01
10	0502011427	3-20 TERMINAL		01
11	0521013794	0.9" X 31.5 SQUARE SHAFT		01
12	0503010301	0.3" X 1.8" SPRING PIN		01
13	0501052162	PROT/SLEEVE UNIVERSAL JOINT		01
14	0501052163	PROT/AXLE UNIVERSAL JOINT		01
15	0503012268	PROTECTION ASSY		01
16	0503012269	PROTECTION FOR UNIV JOINT SLEEVE		01
17	0503012270	PROTECTION FOR UNIV JOINT AND AXLE		01
18	0503012023	CHAIN FOR PROTECTION		01



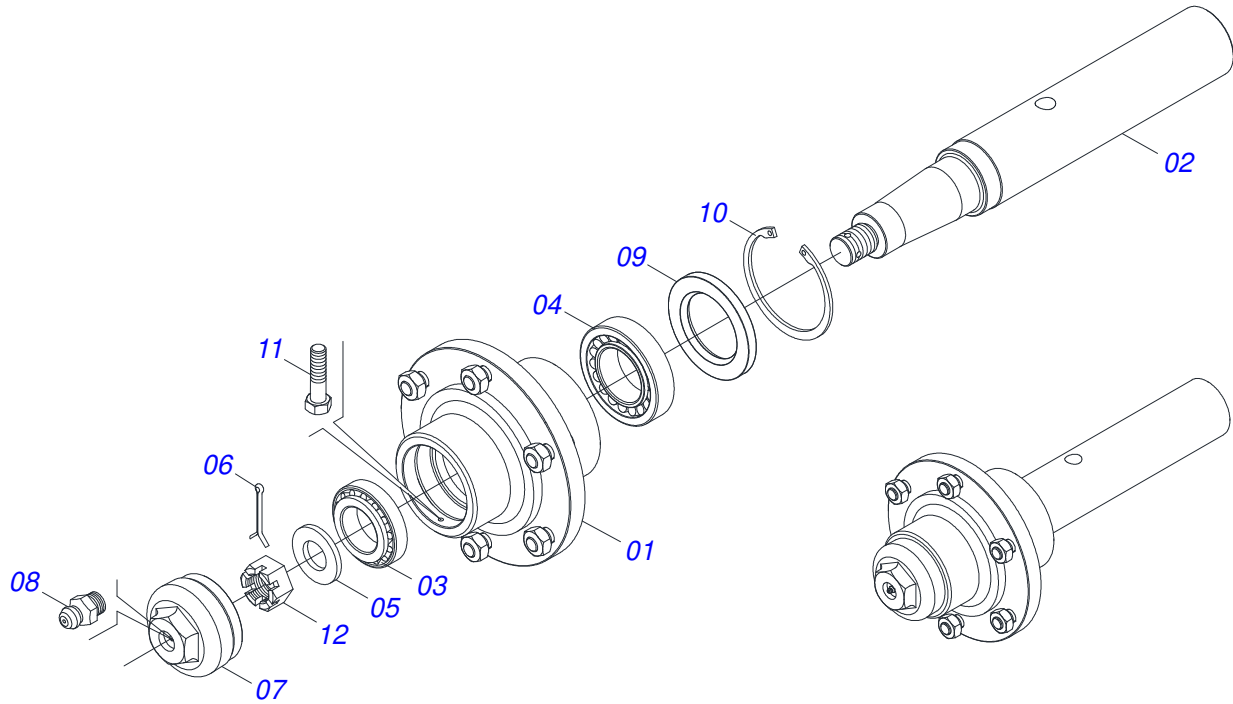
Item	Code	Description	See page	QT
01	0501052166	SLEEVE UNIVERSAL JOINT		01
02	0501051718	UNIVERSAL JOINT		01
03	0502010558	4-20 TERMINAL WITH ROLES		02
04	0502011426	2-20 TERMINAL		01
05	0521013798	0.9" X 35" SQUARE SLEEVE		01
06	0503010835	CARDAN CROSSPIECE		02
07	0503010839	03"X 0.6" SPRING PIN		01
08	0501052167	AXLE UNIVERSAL JOINT		01
09	0501051720	UNIVERSAL JOINT		01
10	0502011427	3-20 TERMINAL		01
11	0521013795	0.9" X 35" SQUARE SHAFT		01
12	0503010301	0.3" X 1.8" SPRING PIN		01
13	0501052168	PROT/SLEEVE UNIVERSAL JOINT		01
14	0501052169	PROT/AXLE UNIVERSAL JOINT		01
15	0503012271	PROTECTION ASSY		01
16	0503012272	PROTECTION FOR UNIV JOINT SLEEVE		01
17	0503012273	PROTECTION FOR UNIV JOINT AND AXLE		01
18	0503012023	CHAIN FOR PROTECTION		02



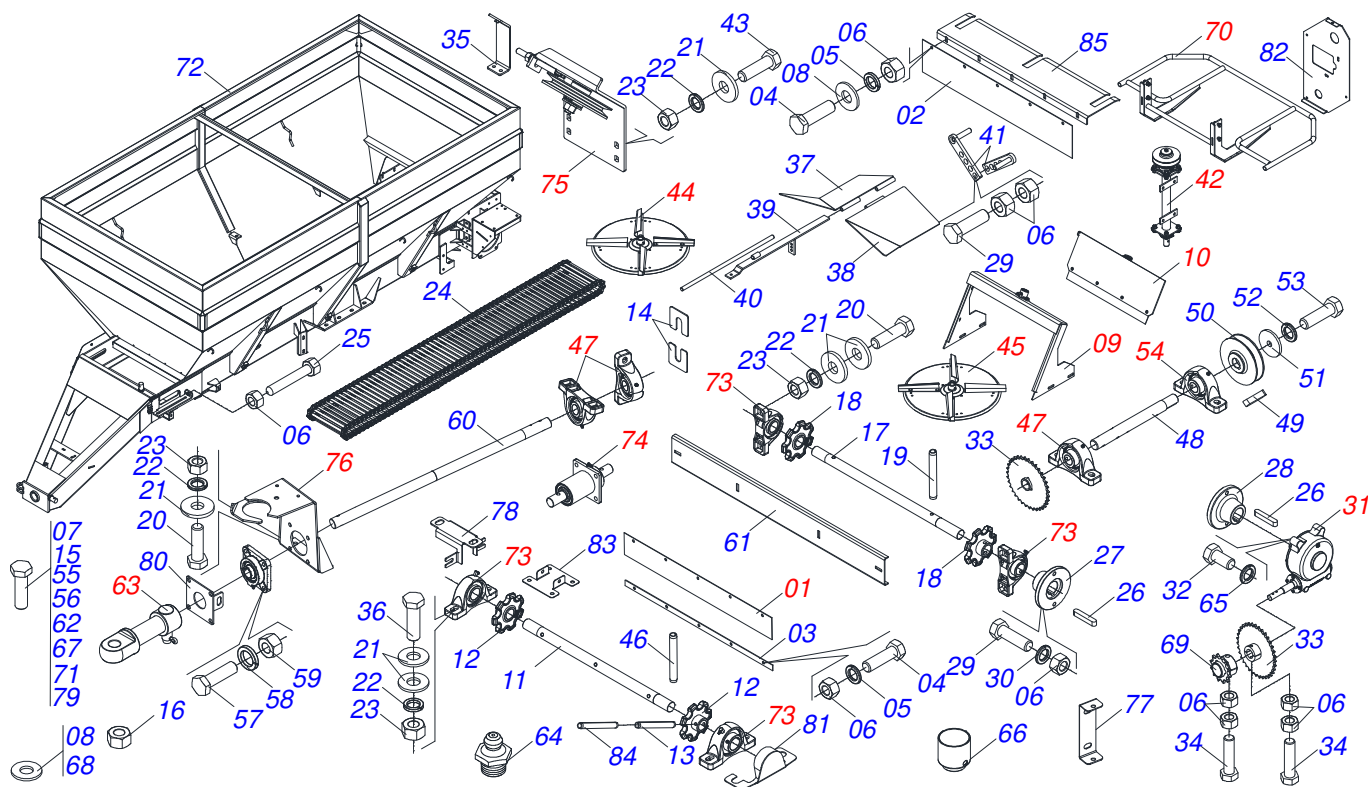
Item	Code	Description	See page	QT
01	0501068989	COUPLING SHAFT		01
03	0503031035	HITCH PIN CLIP		01



Item	Code	Description	See page	QT
01	0521064668	ROCKER ARM SUPPORT FIXATION		01
02	0511065912	ARM		02
03	0511062995	PIN		02
04	0531012244	BUSHING		04
05	0531012263	EXTENSION		02
06	0503010238	BOLT 1/2 UNC X 1.3/4 CS G.2 ZN		12
07	0503011440	SPRING WASHER		12
08	0501055850	CARRYNG WHEEL HUB ASSEMBLY ASSY	32	04
09	0503011084	3/4" X 5" BOLT		04
10	0503011442	3/4" SPRING WASHER		04
11	0503010014	3/4" HEX NUT		04



Item	Code	Description	See page	QT
01	0501110766	HUB CARRYING WHEELS WITH BOLT		01
02	0541014720	CR 7076205/1/1 AXLE		01
03	0503010006	32210 ROLLER BEARING		01
04	0503010005	32212 ROLLER BEARING		01
05	0501010086	FLAT WASHER		01
06	0503010067	3/16" X 2.1/2" COTTER PIN		01
07	0502011647	COVER		01
08	0503010691	1/4" GREASE FITTING		01
09	0503010009	RETAINER 00573-B		01
10	0503012723	502115 RENO RING		01
11	0503010298	1/4" X 1/2" BOLT		01
12	0503012457	UNF 1.1/4" CASTLE NUT		01



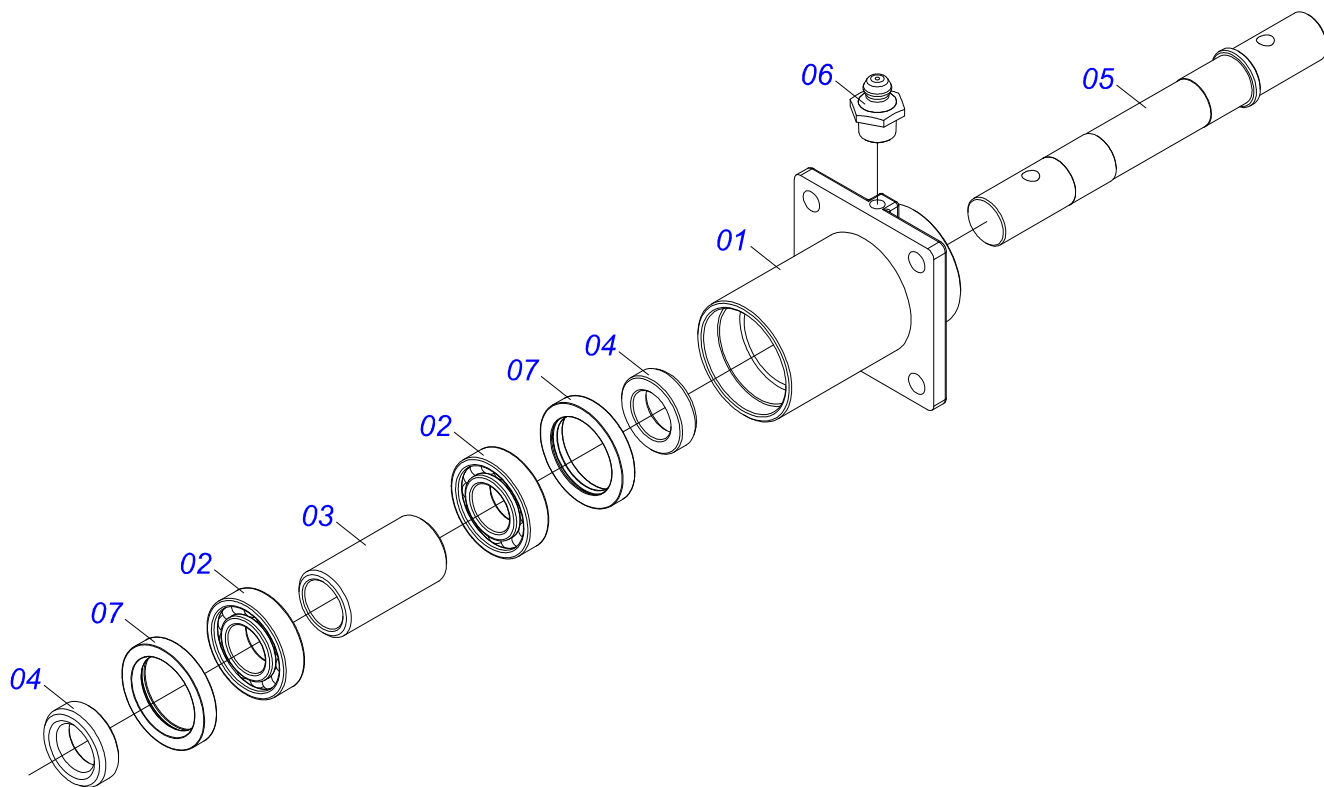
Item	Code	Description	See page	QT
01	0531014336	31.4"X3.1"X 0.1" PROTECTION SMALLER		01
02	0531014337	PROTECTION LARGER		02
03	0531014331	SLUICE VALVE FIXER COVER		01
04	0503010237	3/8" X 1" BOLT		13
05	0503011443	3/8" SPRING WASHER		22
06	0503010026	3/8" NUT		24
07	0503010751	C3/8" X 1.1/4" HEX BOLT G.5		04
08	0501010984	10,50 X 27 X 3,00 FLAT WASHER		10
09	0511059105	SLUICE VALVE SUPPORT	17	01
10	0511059108	SLUICE VALVE COVER ASSY	19	01
11	0531014345	DRIVEN AXLE		01
12	0502040728	7Z GEAR		03
13	0503010361	SPRING PIN		03
14	0501010794	HIDR CHOCK REGULATOR		04
15	0503010233	5/8" X 2-1/2" BOLT		04
16	0503010013	5/8 NUT		08
17	0531014346	MOTOR SHAFT		01
18	0502040728	7Z GEAR		03
19	0503010361	SPRING PIN		03
20	0503010740	BOLT 1/2 UNC X 2 CS G.5 ZN		10
21	0511017302	FLAT WASHER 13,50 X 32,50 X 3,0 ZN		20
22	0503011440	SPRING WASHER		26
23	0503010060	1/2 UNC G.5 ZN HEX NUT		26
24	0511065278	DRIVE THE TRANSPORT TALISCA		01
25	0501067853	ROD STABILIZER		02
26	0501010540	KEYWAY SQUARE		02
27	0511016540	MAT COUPLING FLANGE		01
28	0511016541	REDUCTION COUPLING FLANGE		01
29	0503010849	3/8" X 1-1/2" BOLT		03
30	0503011443	3/8" SPRING WASHER		02
31	0501047985	REDUCER	7	01



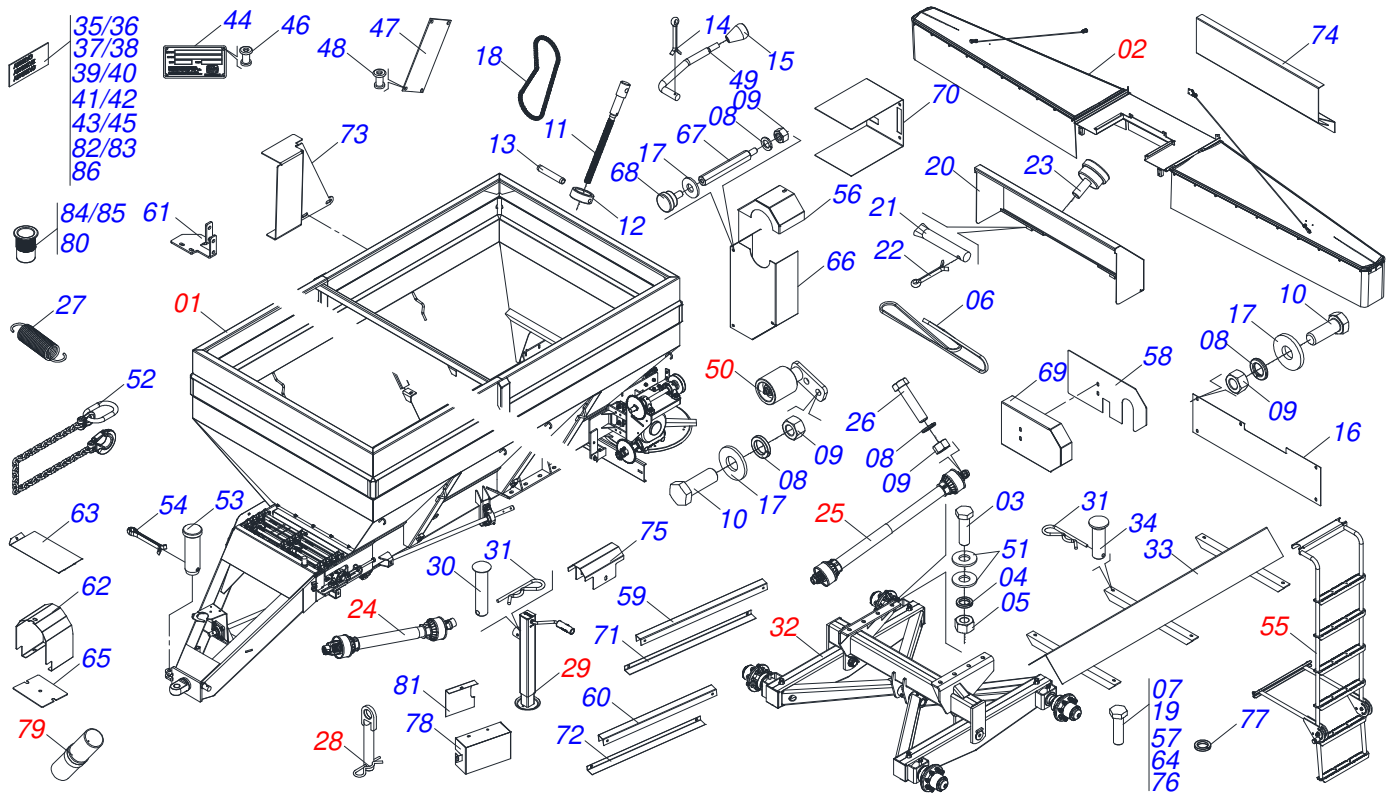
BUCKET

0511053905

Item	Code	Description	See page	QT
32	0503011167	M16 X 2 X 30 BOLT		04
33	0501069020	35Z GEAR		02
34	0503011268	3/8" X 2-1/2" BOLT		03
35	0511063668	REAR FIXER COVER		01
36	0503010238	BOLT 1/2 UNC X 1.3/4 CS G.2 ZN		04
37	0511063659	RIGHT FLOW DIVIDING		01
38	0511063660	LEFT FLOW DIVIDING		01
39	0531061725	REAR DEFLECTOR SUPPORT		01
40	0531015309	TENSIONER OPEN		01
41	0501067368	DIVISOR REGULATOR OPEN		02
42	0501054013	RIGHT BEARRING SUPPORT DISC	10	02
43	0503010920	1/2 UNC X 1.1/2 C S G.5 ZN BOLT		08
44	0501053870	DISTRIBUTOR RIGHT DISC ASSY	12	01
45	0501053871	DISTRIBUTOR LEFT DISC ASSY	13	01
46	0503010361	SPRING PIN		02
47	0511041213	AGRICULTURAL BEARING	5	03
48	0521012443	TRANSMISSION AXLE		01
49	0501010536	KEYWAY SQUARE		01
50	0502012936	1 C X 219 X 30 PULLEY		01
51	0511014052	FLAT WASHER		01
52	0503011446	SPRING WASHER		01
53	0503010355	7/16" X 1" BOLT		01
54	0511041213	AGRICULTURAL BEARING	5	01
55	0503010920	1/2 UNC X 1.1/2 C S G.5 ZN BOLT		02
56	0503011082	C1/2" X 1.3/4" SCREW		02
57	0503011135	BOLT		04
58	0503011446	SPRING WASHER		04
59	0503010244	7/16" NUT		04
60	0541014889	TRANSMISSION AXLE		01
61	0531014338	BAMPER		01
62	0503010920	1/2 UNC X 1.1/2 C S G.5 ZN BOLT		02
63	0531050090	DRAWBOLT ASSY	14	01
64	0503011098	1/4" GREASE FITTING		04
65	0503011445	SPRING WASHER		18
66	0571019513	CROSSPIECE		02
67	0503011807	SCREW M8 X 1,25X10		02
68	0501012140	FLAT WASHER		08
69	0501069017	12Z GEAR		01
70	0531050089	FULL DISK PROTECTOR	15	01
71	0503011267	5/8 UNC X 1.1/2 C S G.5 ZN BOLT		02
72	0521064669	FRAME BUCKET		01
73	0501044308	AGRICULTURAL BEARING ASSY	4	04
74	0511050253	CARDAN TRANSMISSION HUB	34	01
75	0501053868	BELT TENSIONER ASSY	9	01
76	0521053161	CARDAN SUPPORT WITHOUT SPRING	6	01
77	0581017504	BEARING PROTECTION SUPPORT		01
78	0581017505	INTERMEDIARY SUPPORT AXLE PROTECTION		01
79	0503010905	1/2" X 2-1/4" BOLT		02
80	0521068825	SUPPORT AXLE PROTECTION		01
81	0521068822	BEARING PROTECTION		03
82	0521068791	TRANSMISSION PROTECTION COVER		01
83	0521068109	FIXER PROTECTION COVER		01
84	0503010756	0.2" X 2.4" SPRING PIN		06
85	0531014324	TOOTH COVER		01



Item	Code	Description	See page	QT
01	0571019515	TRANSMISSION SHAFT BOX		01
02	0503010276	6206 BALL BEARING		02
03	0511014701	BUSHING 30,16 X 41,28 X 79,00		01
04	0511014695	BUSHING 29,99 X 48 X 14		02
05	0561016932	TRANSMISSION AXLE		01
06	0503010002	1800 GREASE FITTING		01
07	0503010278	SEAL		02



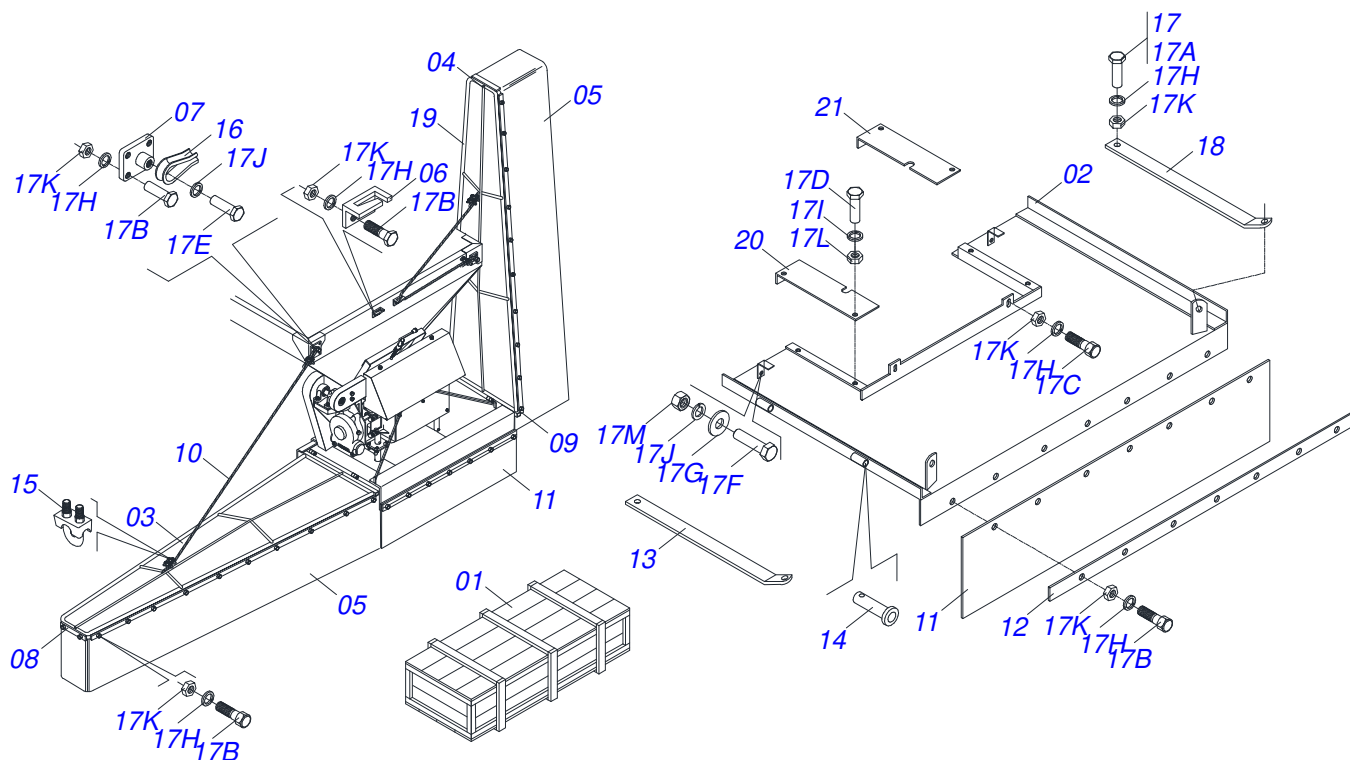
Item	Code	Description	See page	QT
01	0501054172	BUCKET	3	01
02	0531052381	DAMPER ASSY	36	01
03	0501010125	3/4" X 2-1/2" BOLT		08
04	0503010023	3/4" SPRING WASHER		08
05	0503010014	3/4" HEX NUT		06
06	0503012941	C-148 BELT		01
07	0503010751	C3/8" X 1.1/4" HEX BOLT G.5		02
08	0503010025	3/8 SPRING WASHER		32
09	0503010026	3/8" NUT		22
10	0503010237	3/8" X 1" BOLT		11
11	0561014861	REGULATOR		01
12	0511013015	SLEEVE		01
13	0503010561	SPRING PIN		01
14	0503010257	1/8" X 1" COTTERPIN		01
15	0503030878	LEVER CRANK		01
16	0531014340	REAR PROTECTION		01
17	0501010984	10,50 X 27 X 3,00 FLAT WASHER		36
18	0503013003	50-1 CHAIN X 79 LINK + REDUCTION + MENDING		01
19	0503010256	3/8" X 3/4" BOLT		19
20	0511063408	REAR COVER PROTECTION		01
21	0501017574	0.3" X 2.7" AXLE		02
22	0503010140	1/8" X 3/4" COTTERPIN		02
23	0503010386	CABLE		01
24	0511043330	DRIVE SHAFT	21	01
25	0501048200	DRIVE SHAFT	22	01
26	0503011268	3/8" X 2-1/2" BOLT		03
27	0503030198	0.6" X 2.4" X 0.1" EXTENSION SPRING		01
28	0501047881	AXIS JOINT ASSY	30	01
29	0503062157	DRAWBAR JACK		01
30	0521010549	COUPLING SHAFT		01
31	0503030168	HITCH PIN CLIP		07



ASSY FRAME

0511042723

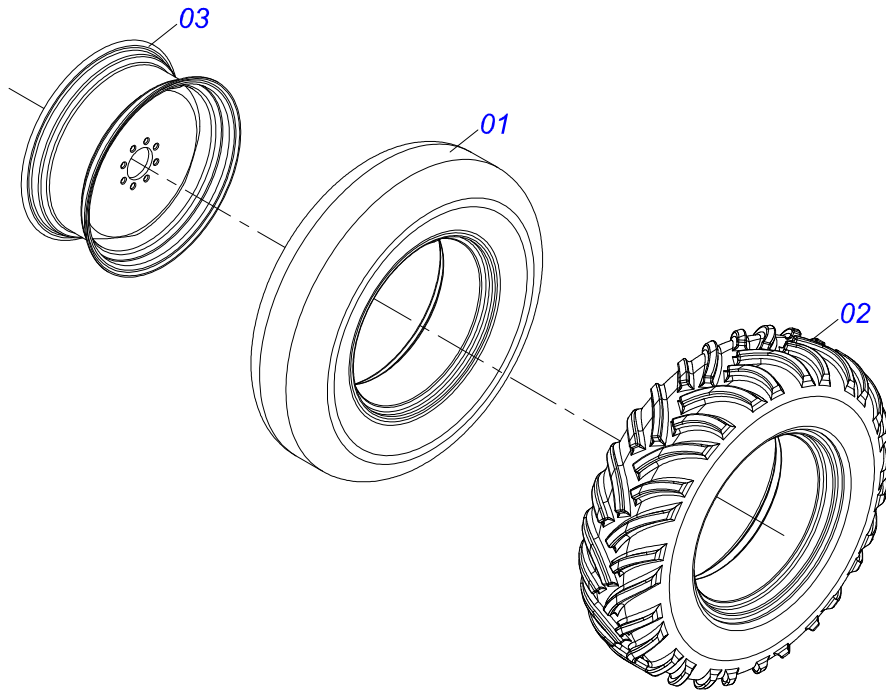
Item	Code	Description	See page	QT
32	0511041110	BELL CRANK SUPPORT FIXATION	23	01
33	0511063853	LARGER DEFLECTOR		01
34	0521017623	0.5" X 1.5" COUPLING SHAFT		06
35	0503034371	ADHESIVE LABEL		02
36	0503031859	ADHESIVE LABEL DANGER		02
37	0503031428	READ MANUAL DECAL		01
38	0503031827	LUBRICATE AND RETIGHTEN DAILY DECAL		13
39	0503031087	ADHESIVE LABEL		01
40	0503031751	ADHESIVE LABEL		01
41	0503031809	ADHESIVE LABEL		01
42	0503031818	ADHESIVE LABEL		01
43	0503032425	ADHESIVE LABEL ATTENTION		01
44	0503034003	SERIAL NUMBER TAG 61 X 118		01
45	0503032949	ADHESIVE LABEL		01
46	0503010001	3.2 X 5.5 RIVET		04
47	0503030751	REGULATOR PLATE		01
48	0503012209	RIVET POP		04
49	0521011107	CRANK BODY		01
50	0501050829	CHAIN TENSIONER	20	01
51	0501010322	FLAT WASHER		16
52	0503013150	1300 X 3/8 CHAIN		01
53	0581011220	COUPLING SHAFT		01
54	0503010131	3/16" X 1-1/2" COTTERPIN		01
55	0511059187	ASSY LADDER	25	01
56	0581017494	TOP PROTECTION RECAMBIO		01
57	0503010256	3/8" X 3/4" BOLT		01
58	0521068792	COVER PROTECTION		01
59	0581017455	AXLE PROTECTION COVER		01
60	0581017458	AXLE PROTECTION COVER		01
61	0521068801	SUPPORT BELT PROTECTION		01
62	0591016144	PROTECTION BOARD CARDAN		01
63	0581017449	FRONT PROTECTION BELT		01
64	0503010849	3/8" X 1-1/2" BOLT		06
65	0581017488	LOWER PROTECTION BOARD CARDAN		02
66	0581017446	CHAIN CAP		01
67	0581017496	PRISONER 3/8 UNC X 5/16 UNC X 175		03
68	0503010386	CABLE		03
69	0591016128	SIDE PROTECTION BELT		01
70	0581017453	FLANGE PROTECTION COVER		01
71	0581017456	PROTECTION FRONT COVER		01
72	0581017457	PROTECTION FRONT COVER		01
73	0581017469	PROTECTION SIDE		01
74	0521068794	BELT INTERNAL PROTECTION		01
75	0581015152	COVER PROTECTION		01
76	0503010240	BOLT		02
77	0503010179	LOCK WASHER 5/16 ZN 1K01528		02
78	0521068790	BEARING PROTECTION		01
79	0531050102	CATALOGUE/MANUAL CANISTER ASSY	26	01
80	0503019413	THREAD SCREW INTERNAL		04
81	0581017441	BACK COVER		01
82	0503034372	ADHESIVE LABEL		02
83	0503034373	ADHESIVE LABEL		02
84	0503019416	RIVET SCREW THREAD INTERNAL		09
85	0503019729	THREAD SCREW INTERNAL		08
86	0503036144	MAXIMUM SPEED ADHESIVE LABEL		01



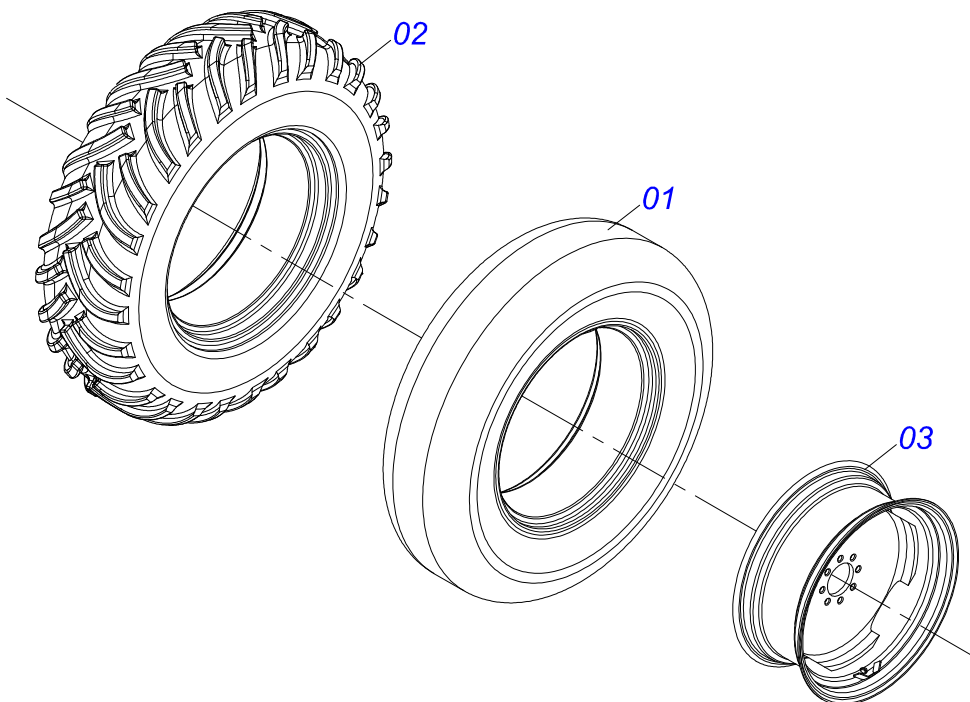
Item	Code	Description	See page	QT
01	0501100453	CRATE		01
02	0511063700	DAMPER FRAME CENTER		01
03	0501066442	RIGHT WING		01
04	0501066443	LEFT WING		01
05	0541010110	RUBBER BLANKET		02
06	0501066514	STELL GUIDE CABLO		02
07	0501066515	STELL SUPPORT CABLO		02
08	0511013806	FIXER CANVAS RIBBON		02
09	0511013793	FIXER SUPPORT CANVAS		04
10	0511013817	STELL CABLE		02
11	0541010207	REAR PROTECTION		01
12	0531017726	REAR RIBBON FIXER BLANKET		01
13	0531017784	RIGHT FRENCH HAND		01
14	0511013803	PIN		04
15	0503010165	5/16" CABLO STEEL STAPLE		08
16	0503011202	BRACKET		04
17	0501032349	PACKED PARTS		01
17A	0503010256	3/8" X 3/4" BOLT		04
17B	0503010237	3/8" X 1" BOLT		65
17C	0501010080	3/8" BOLT		02
17D	0503011102	BOLT 7/16 UNC X 1.1/4 C S G.5 ZN		04
17E	0503010834	1/2 X 1 BOLT		02
17F	0501010063	1/2" X 1-1/2" BOLT		02
17G	0511017302	FLAT WASHER 13,50 X 32,50 X 3,0 ZN		04
17H	0503010025	3/8 SPRING WASHER		71
17I	0503010180	7/16" SPRING WASHER		04
17J	0503010019	1/2" SPRING WASHER		04
17K	0503010026	3/8" NUT		71
17L	0503010244	7/16" NUT		04
17M	0503010060	1/2 UNC G.5 ZN HEX NUT		02
18	0531017785	LEFT FRENCH HAND		01



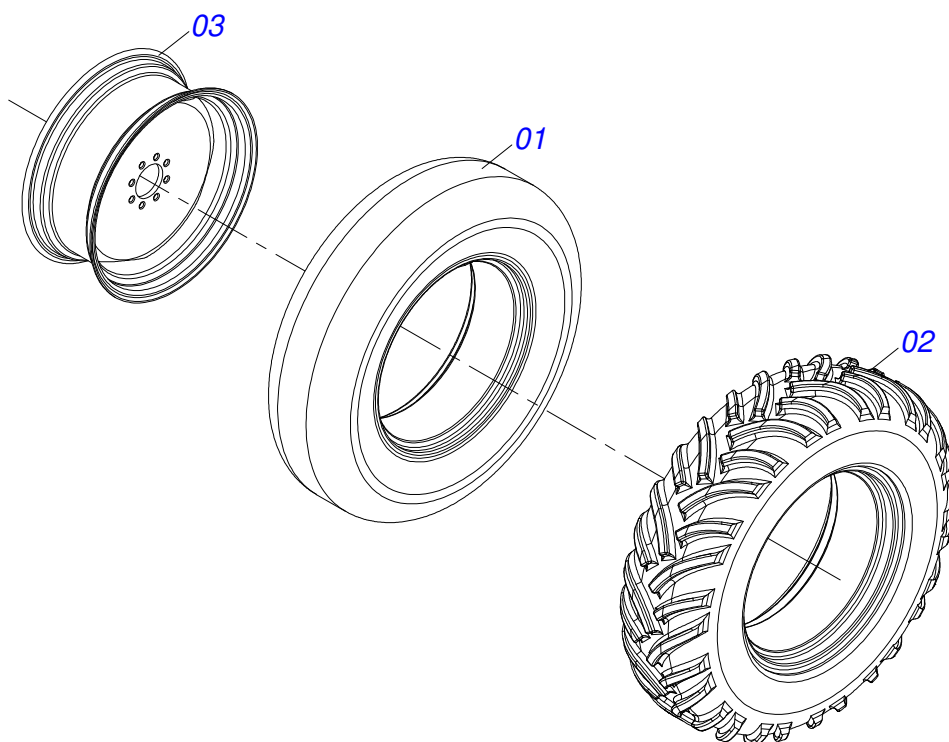
Item	Code	Description	See page	QT
19	0511013809	SUPPORT PROTECTION		02
20	0511017104	RIGHT COVER SIDE		01
21	0511017105	LEFT COVER SIDE		01



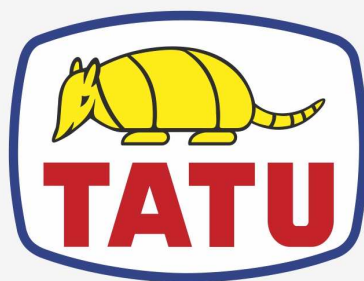
Item	Code	Description	See page	QT
01	0503013040	0.5" X 1" VALVE STEM		01
02	0503013039	0.5" X 1" -10 CANVAS TIRE		01
03	0511063924	DCCO 10500 WHEEL		01



Item	Code	Description	See page	QT
01	0503013040	0.5" X 1" VALVE STEM		01
02	0503013039	0.5" X 1" -10 CANVAS TIRE		01
03	0511063924	DCCO 10500 WHEEL		01



Item	Code	Description	See page	QT
01	0503012112	400/60 - 15.5 TR 15 INNER TIRE		01
02	0503013119	CANVAS TIRE		01
03	0503012916	W-13 X 16,5 HOOP WHEEL		01



MARCHESAN

Technical Publications | Elaboration and Revision

LORENA ROCHA ALVES

www.marchesan.com.br

