

CHASER BIN

DCCO 7500 MC WITH HYDRAULIC DRIVE

Code: 0501093176
Series: S-0114
Revision: 01
Date Revision: JULHO/2023

PARTS CATALOGUE



MARCHESAN



PRODUCTS

Code	Description
0109090169	DCCO 7500 MC C/ACIONAM HIDR S-0114
0109090217	DCCO 7500 MC C/DIRECIONADOR/ACION HIDR S-0114
0109090208	DCCO 7500 MC S/RODEIRO C/ACIONAM HIDR S-0114

ATTENTION: IMPORTANT

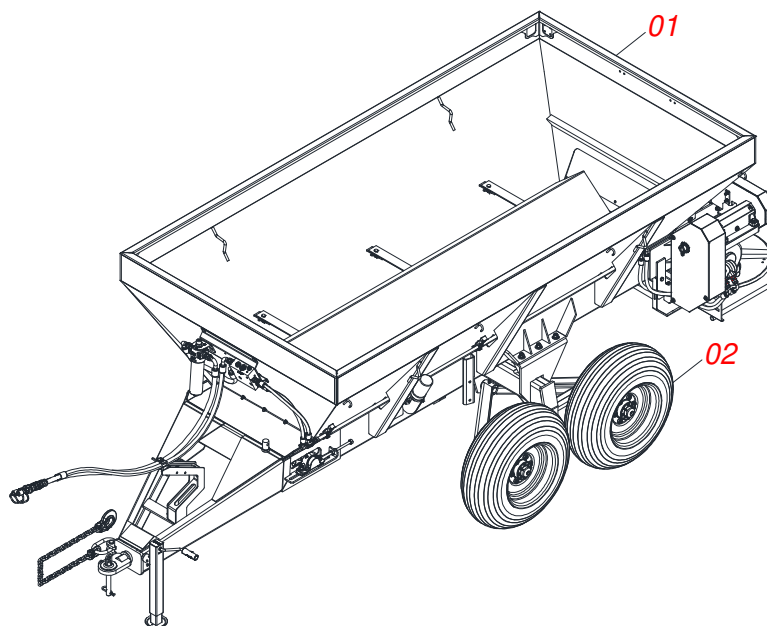
Marchesan S.A. reserves the right to improve and/or modify the technical features of its products, without obligation to do the same with those products already sold and without prior knowledge of the dealer or the customer. The photos are only illustrative.



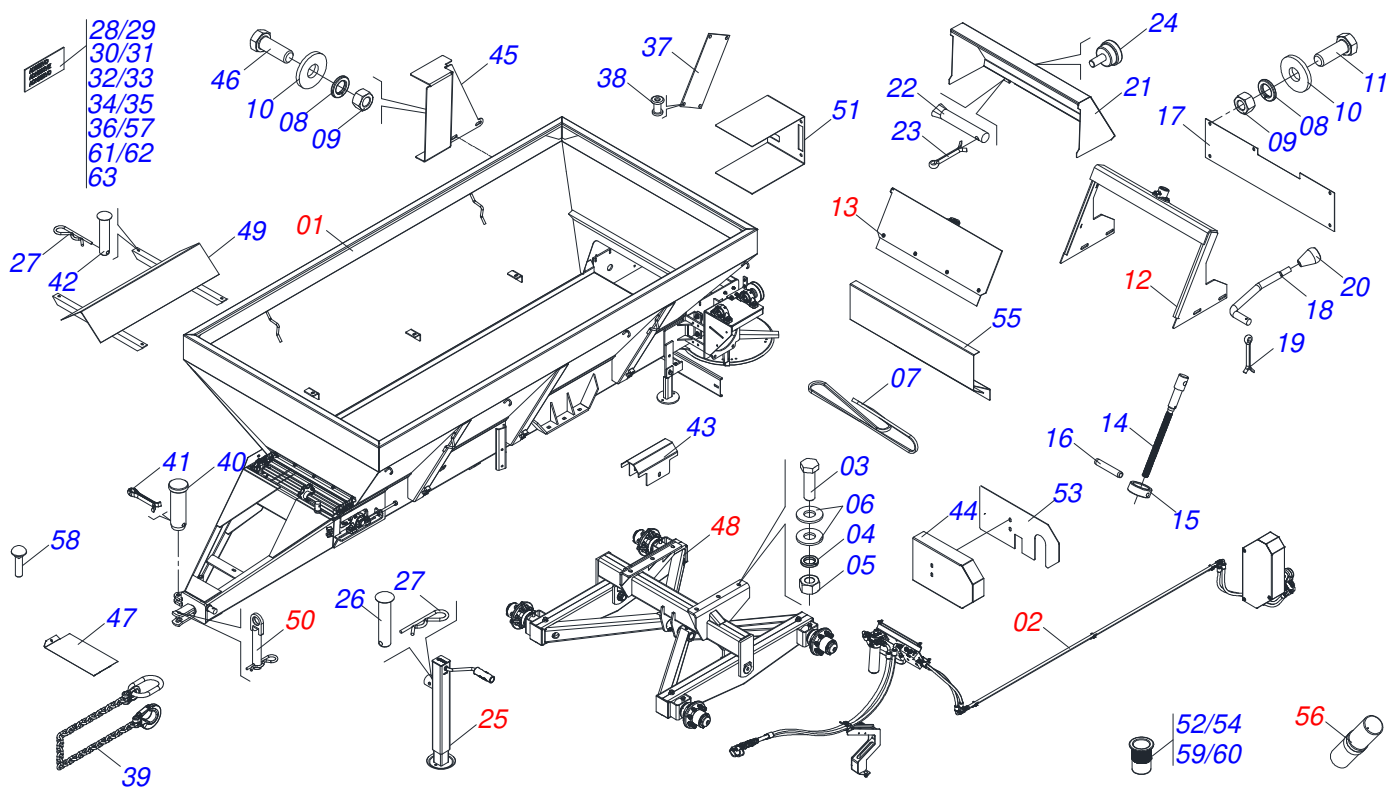
MARCHESAN

INDEX

0909096107	ASSY FRAME	1
0521043446	FRAME ASSY	2
0511054506	BUCKET	3
0501047985	REDUCER	4
0501051774	38Z CROWN	5
0501053868	BELT TENSIONER ASSY	6
0501053870	DISTRIBUTOR RIGHT DISC ASSY	7
0501053871	DISTRIBUTOR LEFT DISC ASSY	8
0511041213	AGRICULTURAL BEARING	9
0521058129	HYDRAULIC DRIVE ASSY	10
0521058094	SUPPORT HOSE	11
0521057951	SUPPORT SIMPLE HYDRAULIC DRIVE	12
0521057953	BLOCK HYDAC	13
0521057952	FILTER PRES PARKER HDA FP20 10FV 06B LV6	14
0521057599	FILTER PRESS PARKER HDA FP20 10FV 06B LV6 WITH NIPPLE	15
0511054496	TENSIONER SMALEER ASSY	16
0511054497	TENSIONER LARGER ASSY	17
0501053834	MALE QUICK COUPLER	18
0511053588	MOTOR HYDRAULIC OMP 80 WITH NIPPLE 7/8 NIPPE 7/8	19
0511059105	SLUICE VALVE SUPPORT	20
0511059094	SHAFT BEARING THREADED	21
0511059108	SLUICE VALVE COVER ASSY	22
0521058120	SIMPLE HYDRAULIC ACTUATION HOSE SET	23
0511041064	FIXING STAND ASSY	24
0501051142	CARRYING WHEEL HUB	25
0531050102	CATALOGUE/MANUAL CANISTER ASSY	26
0521047254	ASSY FRAME	27
0521055686	SEMI MOUNTED DRIVER	28
0501047881	AXIS JOINT ASSY	29
0521055691	BUCKET	30
0501058675	DISTRIBUTOR LEFT DISC ASSY	31
0501058677	DISTRIBUTOR RIGHT DISC ASSY	32
0521046403	ASSY FRAME	33
0503062157	DRAWBAR JACK	34
0511054750	HYDRAULIC CONTROL ASSY	35
0503060181	WHEEL AND TIRE	36



Item	Code	Description	See page	QT
01	0521043446	FRAME ASSY	2	01
01.	0521047254	ASSY FRAME	27	01
01..	0521046403	ASSY FRAME	33	01
02	0503060181	WHEEL AND TIRE	36	04



Item	Code	Description	See page	QT
01	0511054506	BUCKET	3	01
02	0521058129	HYDRAULIC DRIVE ASSY	10	01
03	0503010899	5/8 UNC X 2.1/4 BOLT		06
04	0503010027	5/8 SPRING WASHER		06
05	0503010013	5/8 NUT		06
06	0501012140	FLAT WASHER		12
07	0503012941	C-148 BELT		01
08	0503010025	3/8 SPRING WASHER		19
09	0503010026	3/8" NUT		11
10	0501010984	10,50 X 27 X 3,00 FLAT WASHER		22
11	0503010237	3/8" X 1" BOLT		13
12	0511059105	SLUICE VALVE SUPPORT	20	01
13	0511059108	SLUICE VALVE COVER ASSY	22	01
14	0561014861	REGULATOR		01
15	0511013015	SLEEVE		01
16	0503010561	SPRING PIN		01
17	0531014340	REAR PROTECTION		01
18	0521011107	CRANK BODY		01
19	0503010257	1/8" X 1" COTTERPIN		01
20	0503030878	LEVER CRANK		01
21	0511063408	REAR COVER PROTECTION		01
22	0501017574	0.3" X 2.7" AXLE		02
23	0503010140	1/8" X 3/4" COTTERPIN		02
24	0503010386	CABLE		01
25	0503062157	DRAWBAR JACK	34	01
26	0521010549	COUPLING SHAFT		01
27	0503030168	HITCH PIN CLIP		07
28	0503031859	ADHESIVE LABEL DANGER		02
29	0503031428	READ MANUAL DECAL		01
30	0503031827	LUBRICATE AND RETIGHTEN DAILY DECAL		01
31	0503031087	ADHESIVE LABEL		01

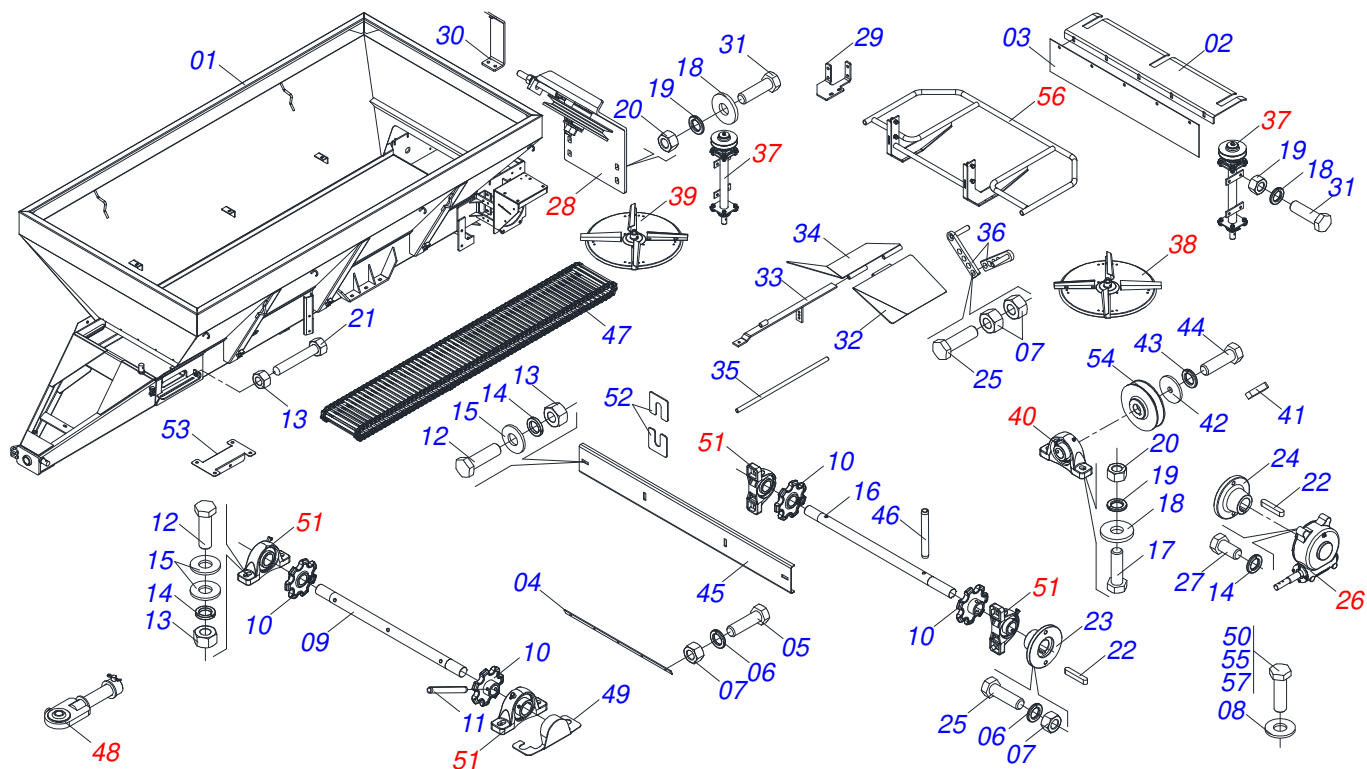


FRAME ASSY

0521043446

Item	Code	Description	See page	QT
32	0503031818	ADHESIVE LABEL		01
33	0503032425	ADHESIVE LABEL ATTENTION		01
34	0503032949	ADHESIVE LABEL		01
35	0503035101	ADHESIVE LABEL		02
36	0503035100	ADHESIVE LABEL		02
37	0503030751	REGULATOR PLATE		01
38	0503012209	RIVET POP		04
39	0503013150	1300 X 3/8 CHAIN		01
40	0581011220	COUPLING SHAFT		01
41	0503010131	3/16" X 1-1/2" COTTERPIN		01
42	0521017623	0.5" X 1.5" COUPLING SHAFT		06
43	0581015152	COVER PROTECTION		01
44	0591016128	SIDE PROTECTION BELT		01
45	0581017469	PROTECTION SIDE		01
46	0503010849	3/8" X 1-1/2" BOLT		04
47	0581017452	FRONT PROTECTION BELT		01
48	0511041064	FIXING STAND ASSY	24	01
49	0511063853	LARGER DEFLECTOR		01
50	0501047881	AXIS JOINT ASSY	29	01
51	0581017453	FLANGE PROTECTION COVER		01
52	0503019416	RIVET SCREW THREAD INTERNAL		07
53	0591016127	SIDE PROTECTION BELT COVER		01
54	0503019413	THREAD SCREW INTERNAL		04
55	0521068794	BELT INTERNAL PROTECTION		01
56	0531050102	CATALOGUE/MANUAL CANISTER ASSY	26	01
57	0503034648	ADHESIVE LABEL		01
58	0501010942	3/8" X 1-1/4" BOLT		02
59	0503010001	3.2 X 5.5 RIVET		04
60	0503019729	THREAD SCREW INTERNAL		04
61	0503035156	LABEL ADHESIVE		01
62	0503031427	ADHESIVE LABEL		01
63	0503036144	MAXIMUM SPEED ADHESIVE LABEL		01

BUCKET

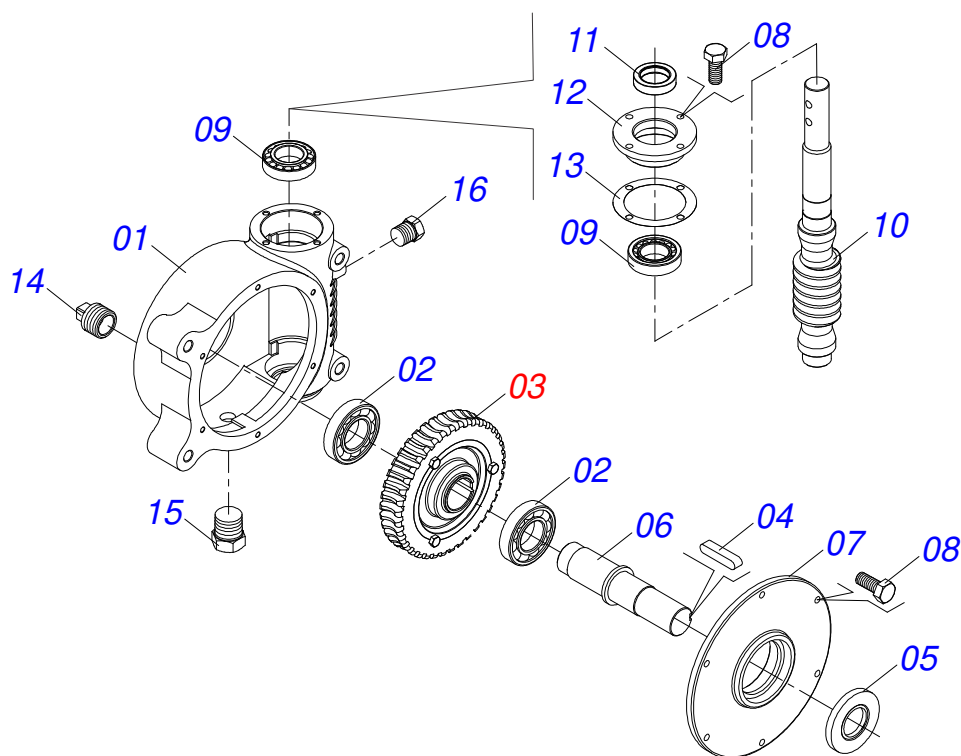


Item	Code	Description	See page	QT
01	0511063856	BUCKET		01
02	0531014324	TOOTH COVER		01
03	0531014337	PROTECTION LARGER		02
04	0531014331	SLUICE VALVE FIXER COVER		01
05	0503010237	3/8" X 1" BOLT		12
06	0503011443	3/8" SPRING WASHER		17
07	0503010026	3/8" NUT		19
08	0501010984	10,50 X 27 X 3,00 FLAT WASHER		03
09	0591016382	DRIVEN AXLE		01
10	0591016380	GEAR		06
11	0503010361	SPRING PIN		08
12	0503010233	5/8" X 2-1/2" BOLT		04
13	0503010013	5/8 NUT		06
14	0503011445	SPRING WASHER		08
15	0501012140	FLAT WASHER		08
16	0591016381	DRIVING AXLE		01
17	0503010740	BOLT 1/2 UNC X 2 CS G.5 ZN		08
18	0511017302	FLAT WASHER 13,50 X 32,50 X 3,0 ZN		20
19	0503011440	SPRING WASHER		22
20	0503010060	1/2 UNC G.5 ZN HEX NUT		22
21	0501067853	ROD STABILIZER		02
22	0501010540	KEYWAY SQUARE		02
23	0511016540	MAT COUPLING FLANGE		01
24	0511016541	REDUCTION COUPLING FLANGE		01
25	0503010849	3/8" X 1-1/2" BOLT		03
26	0501047985	REDUCER	4	01
27	0503011167	M16 X 2 X 30 BOLT		04
28	0501053868	BELT TENSIONER ASSY	6	01
29	0591016126	FIXING BODY SIDE PROTECTION BELT		01
30	0511063668	REAR FIXER COVER		01
31	0503010920	1/2 UNC X 1.1/2 C S G.5 ZN BOLT		10

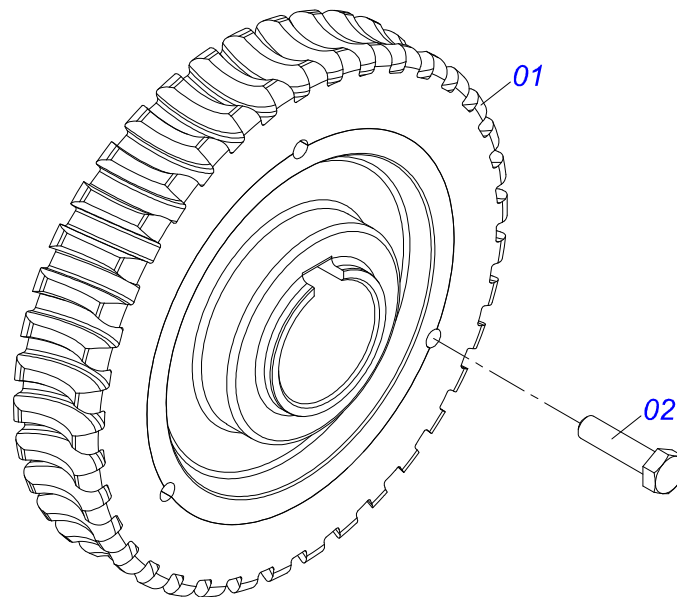
**BUCKET**

0511054506

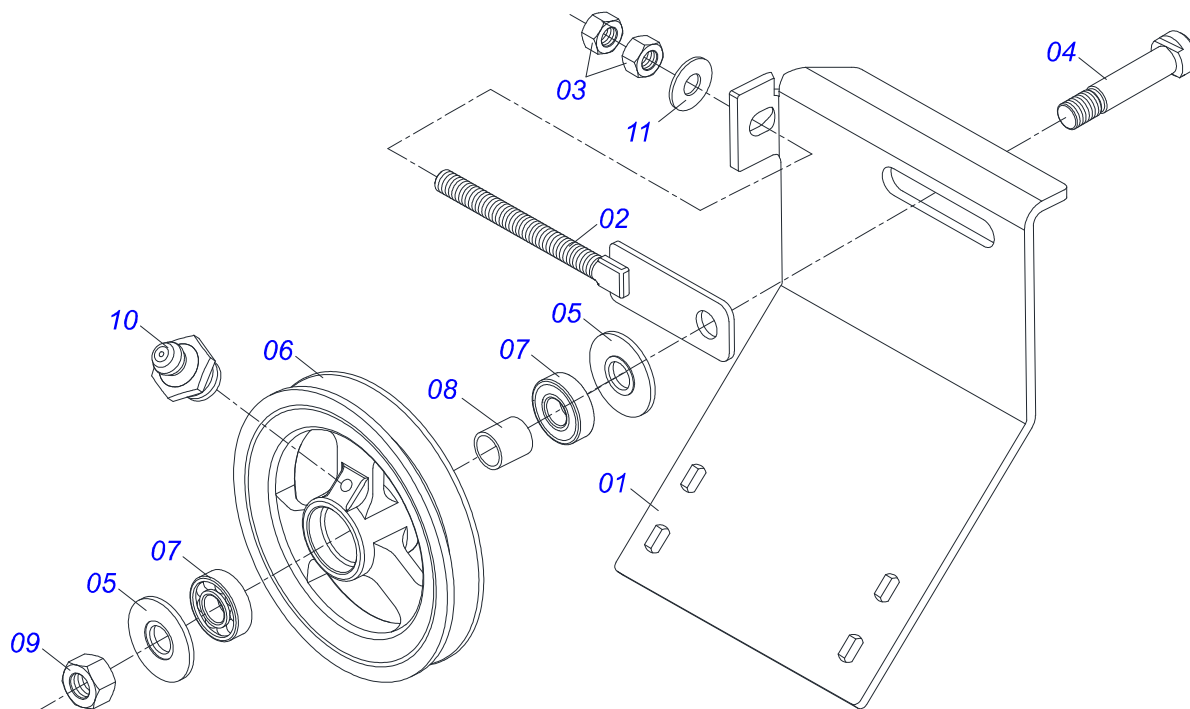
Item	Code	Description	See page	QT
32	0511063659	RIGHT FLOW DIVIDING		01
33	0531061725	REAR DEFLECTOR SUPPORT		01
34	0511063660	LEFT FLOW DIVIDING		01
35	0531015309	TENSIONER OPEN		01
36	0531061722	DIVIDER OPENING REGULATOR		02
37	0501054013	RIGHT BEARRING SUPPORT DISC		02
38	0501053870	DISTRIBUTOR RIGHT DISC ASSY	7	01
39	0501053871	DISTRIBUTOR LEFT DISC ASSY	8	01
40	0511041213	AGRICULTURAL BEARING	9	02
41	0501010536	KEYWAY SQUARE		01
42	0511014052	FLAT WASHER		01
43	0503011446	SPRING WASHER		01
44	0503010355	7/16" X 1" BOLT		01
45	0531061723	BUMPER WITH CLIP		01
46	0503010756	0.2" X 2.4" SPRING PIN		06
47	0511063805	DRIVE THE TRANSPORT TALISCA		01
48	0521057116	FULL HITCH		01
49	0521068822	BEARING PROTECTION		03
50	0503010238	BOLT 1/2 UNC X 1.3/4 CS G.2 ZN		04
51	0501044308	AGRICULTURAL BEARING ASSY		04
52	0501010794	HIDR CHOCK REGULATOR		04
53	0581015151	FIXING BODY COVER PROTECTION		01
54	0502012936	1 C X 219 X 30 PULLEY		01
55	0501010942	3/8" X 1-1/4" BOLT		01
56	0531050089	FULL DISK PROTECTOR		01
57	0503010751	C3/8" X 1.1/4" HEX BOLT G.5		02



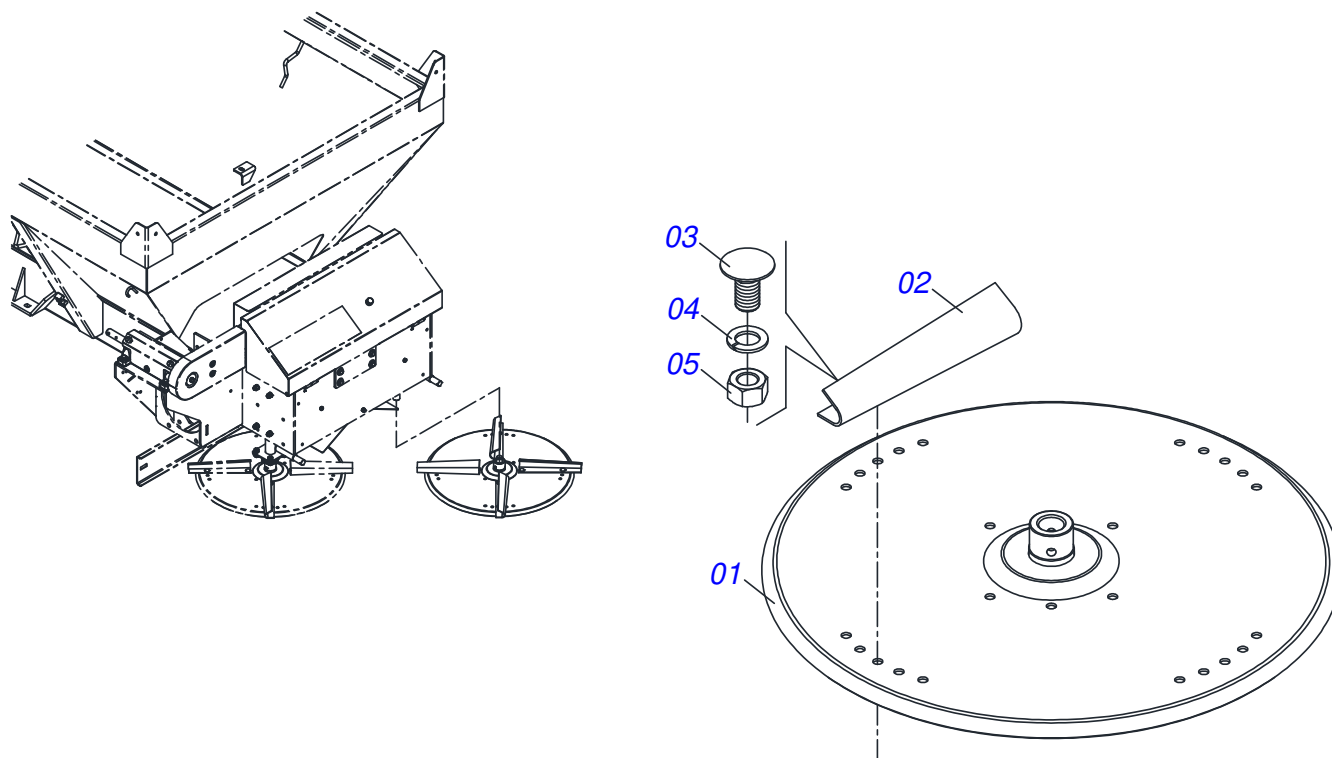
Item	Code	Description	See page	QT
01	0502011456	REDUCTION BOX		01
02	0503011095	6208 BALL BEARING		02
03	0501051774	38Z CROWN	5	01
04	0503011304	1/2" X 2.4" KEYWAY SQUARE		01
05	0503010818	02675-BRG SEAL		01
06	0521010996	AXLE		01
07	0502020556	LARGER COVER		01
08	0503010240	BOLT		10
09	0503010016	BEARING LM		02
10	0521010997	SCREW THEAD		01
11	0503011171	00912-BRG SEAL		01
12	0502011457	SMALLER COVER		01
13	0503030981	102 X 75,5 X 0,10 JOINT		01
14	0521011023	PLUG		01
15	0513010009	LEVEL DISPLAY		01
16	0503010856	OIL PLUG		01



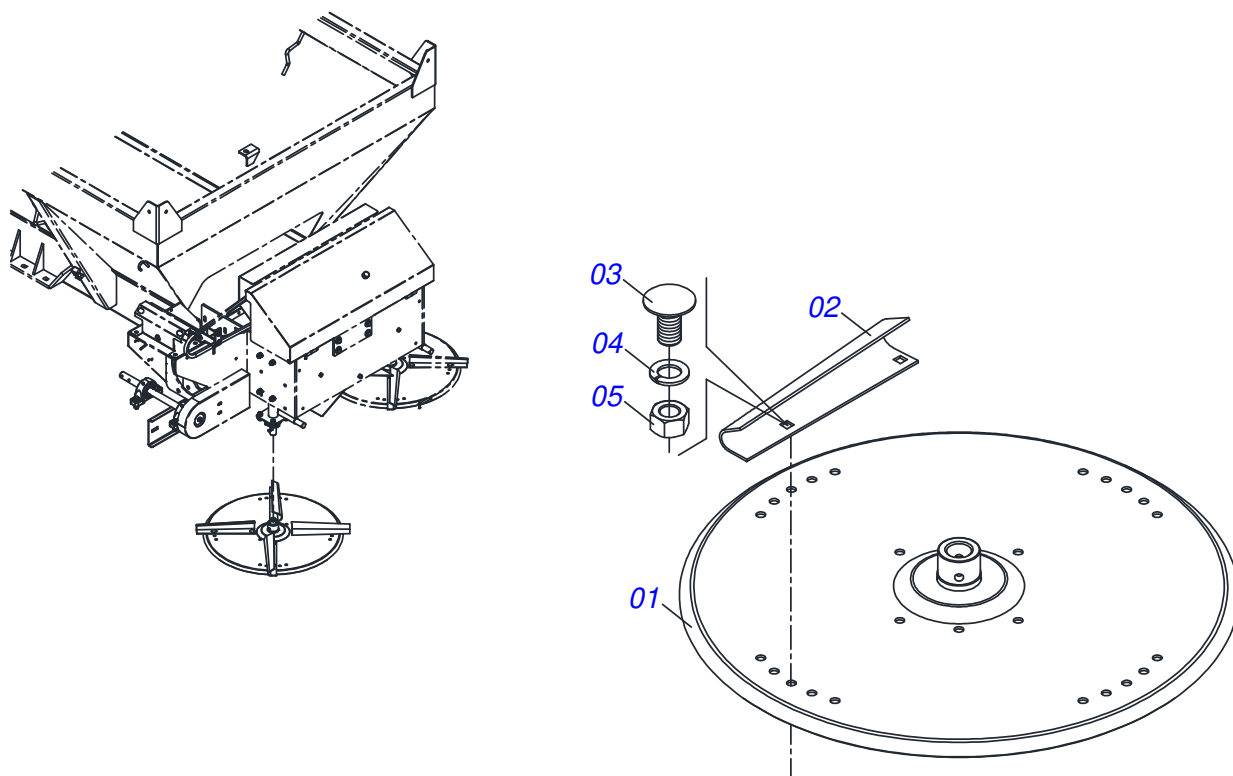
Item	Code	Description	See page	QT
01	0501110280	38Z CONICAL		01
02	0503010365	BOLT 5/16 UNC X 1.1/4 C S G.5 ZN		03



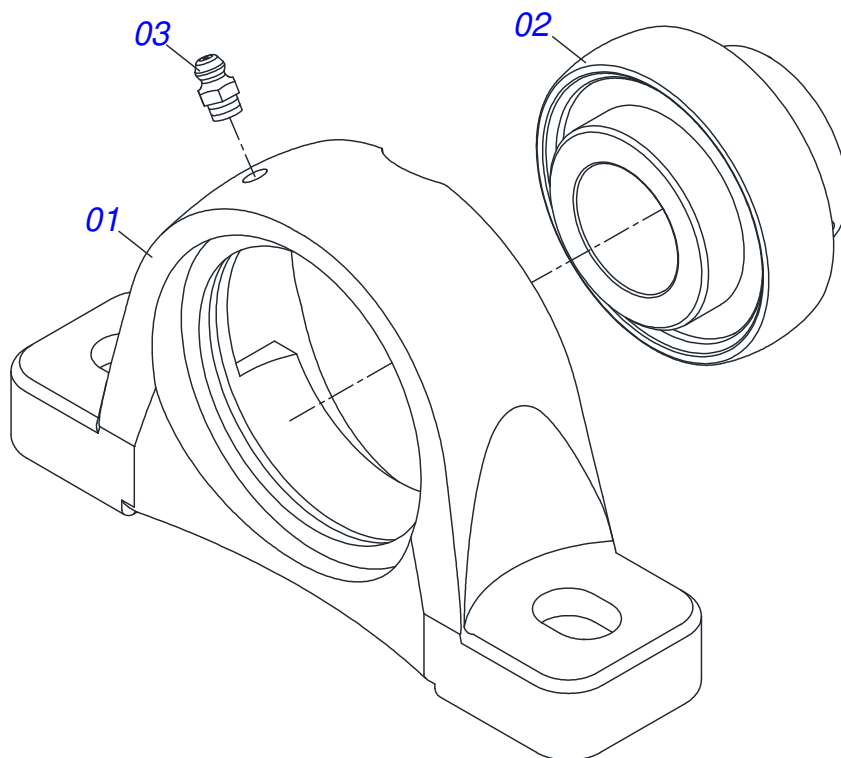
Item	Code	Description	See page	QT
01	0531014326	PULLEY BODY SUPPORT		01
02	0511064818	PULLEY TENSIONER		01
03	0503010013	5/8 NUT		02
04	0511012362	TIGHTENER AXLE PULLEY		01
05	0501019288	WASHER SPACER		02
06	0502011366	REEL 1C 8.3" X 1.6" PULLEY		01
07	0503010690	6204 BALL BEARING		02
08	0521010497	0.8" X 1.1" X 1.1" SPACER		01
09	0503010014	3/4" HEX NUT		01
10	0503010002	1800 GREASE FITTING		01
11	0501012140	FLAT WASHER		01



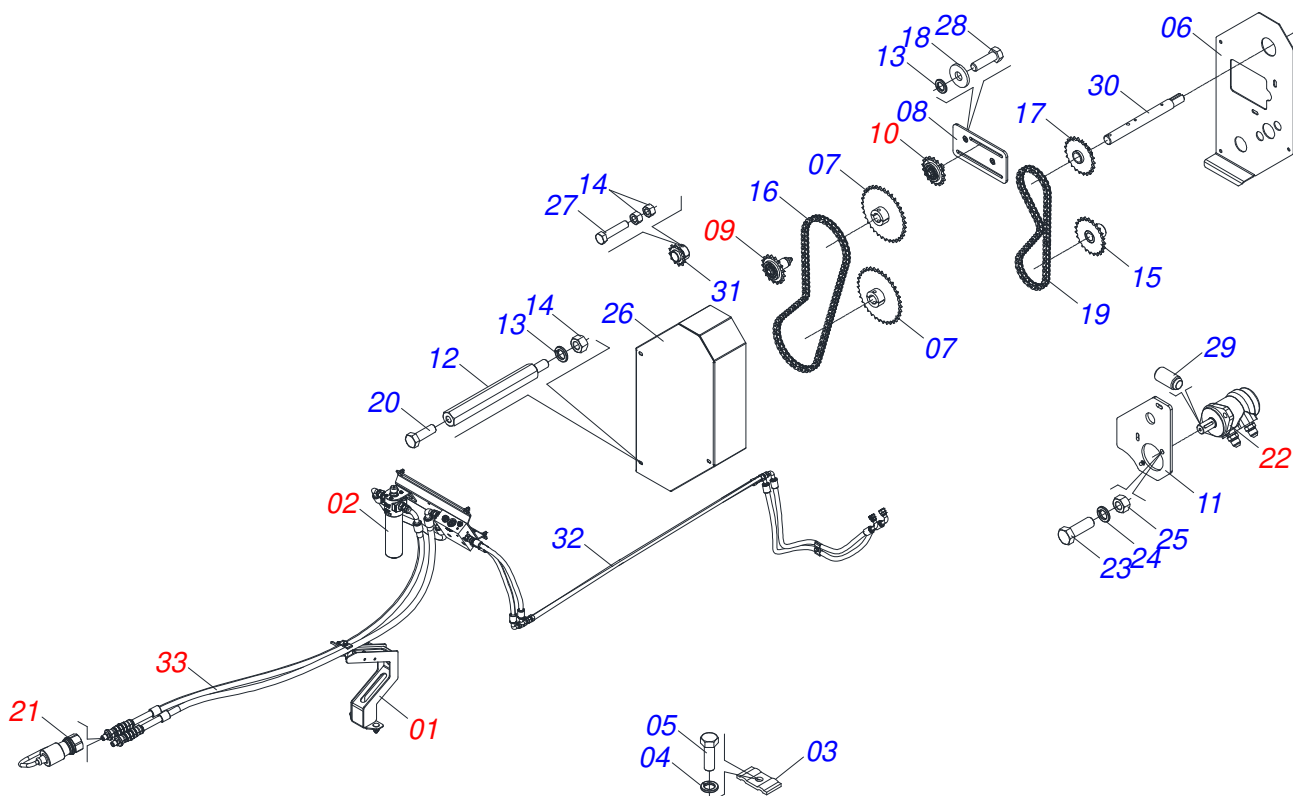
Item	Code	Description	See page	QT
01	0511063411	DISTRIBUTOR DISC		01
02	0531014343	RH FLIP		04
03	0503013029	3/8" X 3/4" BOLT		08
04	0503011443	3/8" SPRING WASHER		08
05	0503010026	3/8" NUT		08



Item	Code	Description	See page	QT
01	0511063411	DISTRIBUTOR DISC		01
02	0531014344	LH FLIP		04
03	0503013029	3/8" X 3/4" BOLT		08
04	0503011443	3/8" SPRING WASHER		08
05	0503010026	3/8" NUT		08



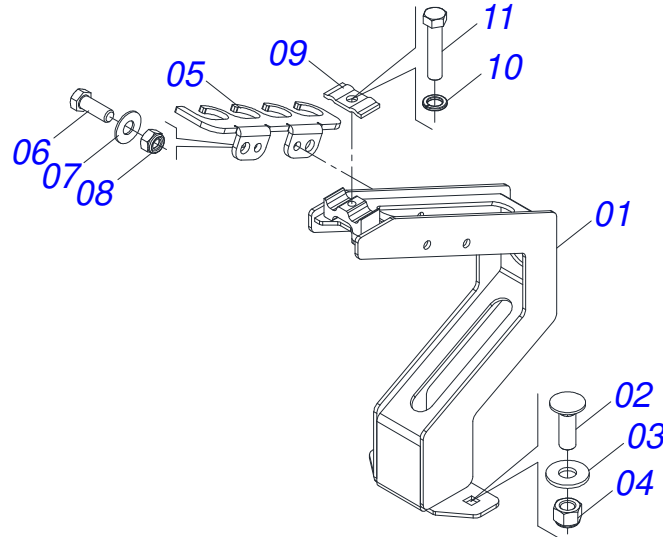
Item	Code	Description	See page	QT
01	0502011954	AGRICULTURAL HOUSING BEARING		01
02	0503011884	BALL BEARING		01
03	0503010691	1/4" GREASE FITTING		01



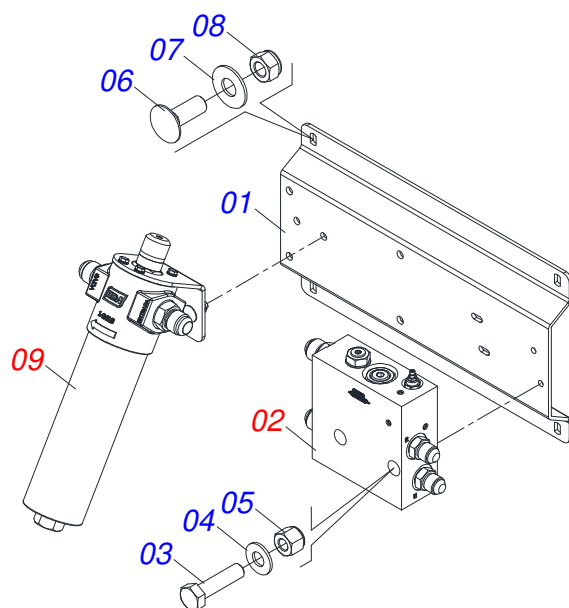
Item	Code	Description	See page	QT
01	0521058094	SUPPORT HOSE	11	01
02	0521057951	SUPPORT SIMPLE HYDRAULIC DRIVE	12	01
03	0531011180	UPPER BODY CLIP		04
04	0503010180	7/16" SPRING WASHER		04
05	0503011102	BOLT 7/16 UNC X 1.1/4 C S G.5 ZN		04
06	0571015456	PROTECTION REAR		01
07	0501069020	35Z GEAR		02
08	0521064691	SUPPORT TENSIONER		01
09	0511054496	TENSIONER SMALLER ASSY	16	01
10	0511054497	TENSIONER LARGER ASSY	17	01
11	0571015182	HIDRAULIC MOTOR SUPPORT		01
12	0571015189	PRISONER 3/8"		03
13	0503010025	3/8 SPRING WASHER		07
14	0503010026	3/8" NUT		13
15	0521064566	GEAR HIDRAULIC MOTOR		01
16	0503013003	50-1 CHAIN X 79 LINK + REDUCTION + MENDING		01
17	0521063041	GEAR 23Z		01
18	0501010984	10,50 X 27 X 3,00 FLAT WASHER		09
19	0503013061	50-1 CHAIN X 64 LINK + REDUCTION		01
20	0503010240	BOLT		03
21	0501053834	MALE QUICK COUPLER	18	02
22	0511053588	MOTOR HYDRAULIC OMP 80 WITH NIPPLE 7/8 NIPPE 7/8	19	01
23	0503010920	1/2 UNC X 1.1/2 C S G.5 ZN BOLT		02
24	0503010019	1/2" SPRING WASHER		02
25	0503010060	1/2 UNC G.5 ZN HEX NUT		02
26	0571015457	CHAIN CAP		01
27	0503011141	3/8" X 2-3/4" BOLT		04
28	0503010849	3/8" X 1-1/2" BOLT		04
29	0503017021	M8 X 0.5" BOLT		01
30	0571015190	DRIVE AXLE		01
31	0501069017	12Z GEAR		01



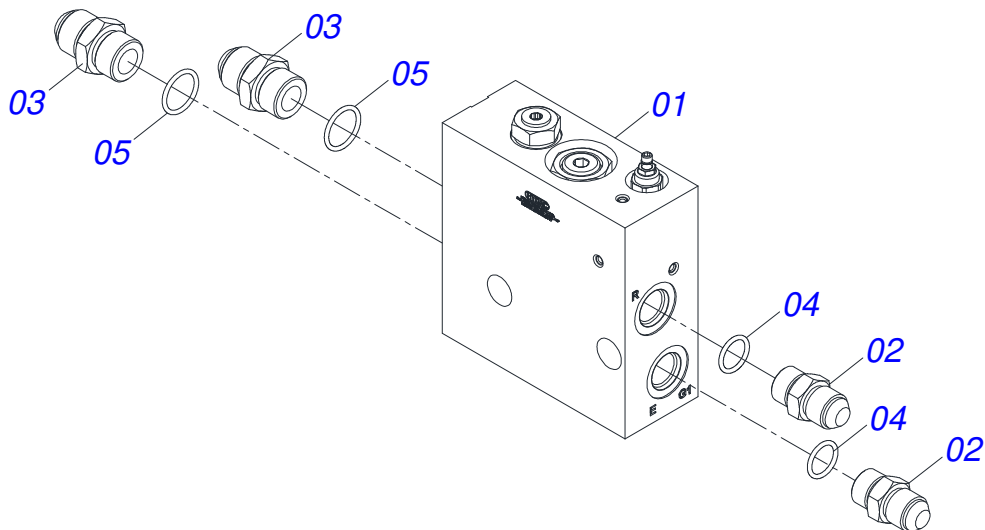
Item	Code	Description	See page	QT
32	0521066606	OIL TUBE		02
33	0521058120	SIMPLE HYDRAULIC ACTUATION HOSE SET	23	01



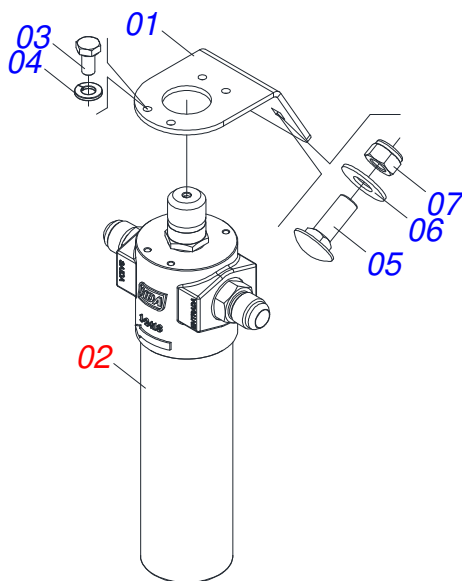
Item	Code	Description	See page	QT
01	0531060944	HOSE HOLDER ASSY		01
02	0503014378	1/2" X 1-1/2" BOLT		02
03	0511017302	FLAT WASHER 13,50 X 32,50 X 3,0 ZN		02
04	0503010589	1/2" UNC SELF ADJUSTING NUT		02
05	0591018556	HOSE FIXER ASSY		01
06	0503011087	3/8" X 1" BOLT		02
07	0501013518	FLAT WASHER		02
08	0503013357	3/8 SELF-ADJUSTING NUT		02
09	0531011180	UPPER BODY CLIP		01
10	0503010180	7/16" SPRING WASHER		01
11	0503011173	7/16" X 2" BOLT		01



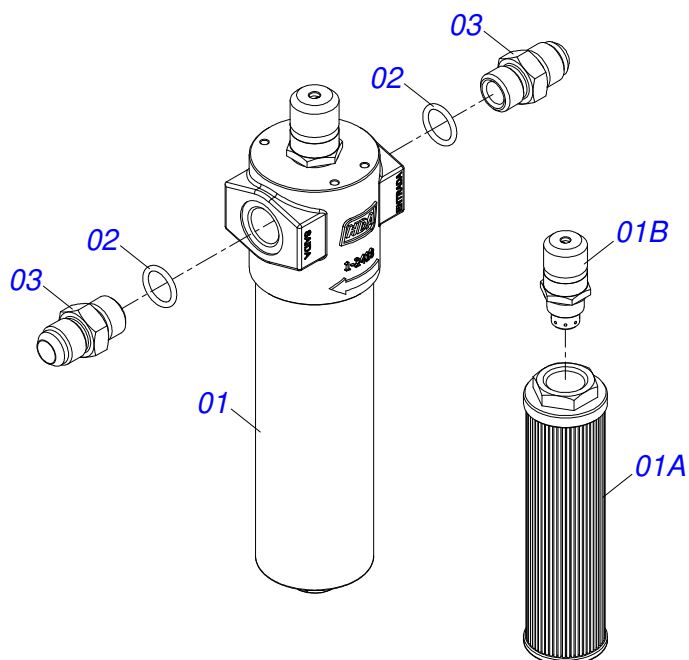
Item	Code	Description	See page	QT
01	0591013644	SUPPORT SET HIDRAULICO		01
02	0521057953	BLOCK HYDAC	13	01
03	0503011766	5/16" X 2-1/2" BOLT		02
04	0501010694	FLAT WASHER		02
05	0503013759	NUT		02
06	0501011643	3/8 X 1" BOLT		04
07	0501013518	FLAT WASHER		04
08	0503013357	3/8 SELF-ADJUSTING NUT		04
09	0521057952	FILTER PRES PARKER HDA FP20 10FV 06B LV6	14	01



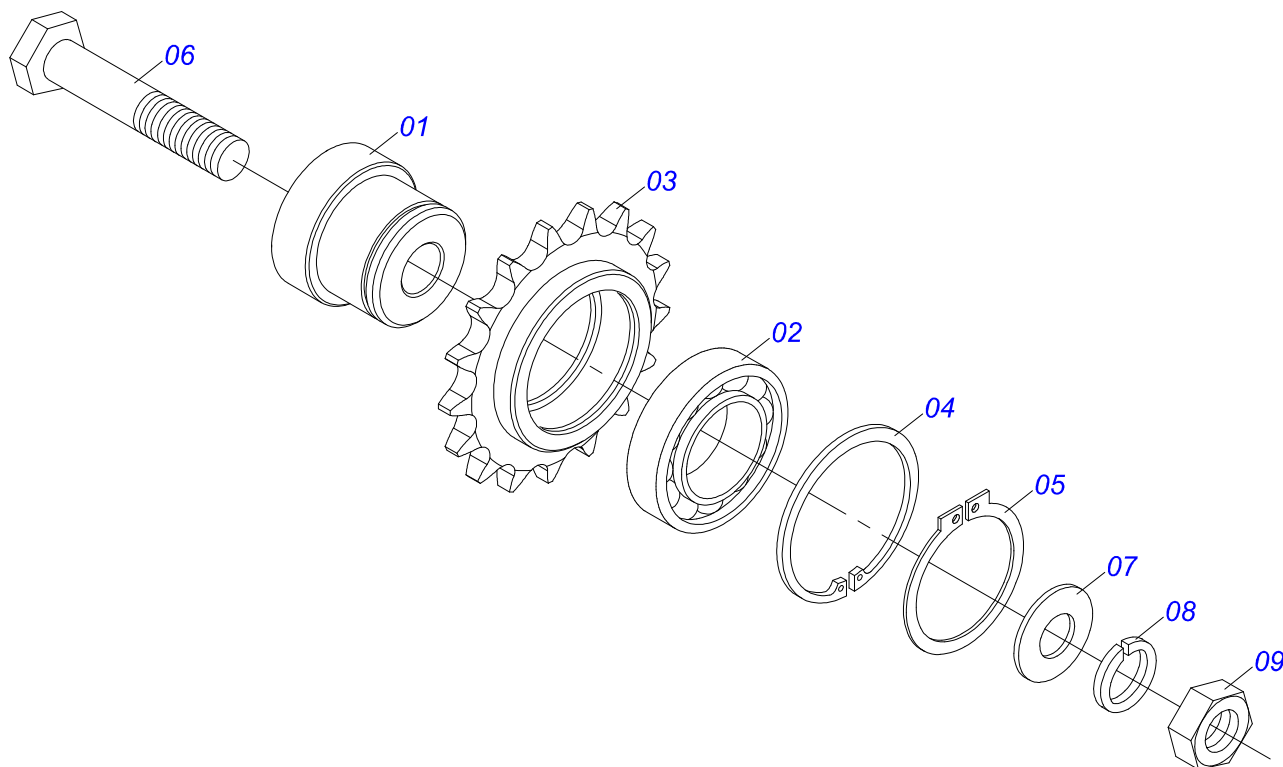
Item	Code	Description	See page	QT
01	0503063271	BLOCK		01
02	0501010590	NIPPLE		02
03	0501010589	R. 1.1/16UN SEXT 1.1/4 X 52 NIPPLE		02
04	0503010045	O'RING		02
05	0503011109	2-119 N 3006-9B O'RING		02



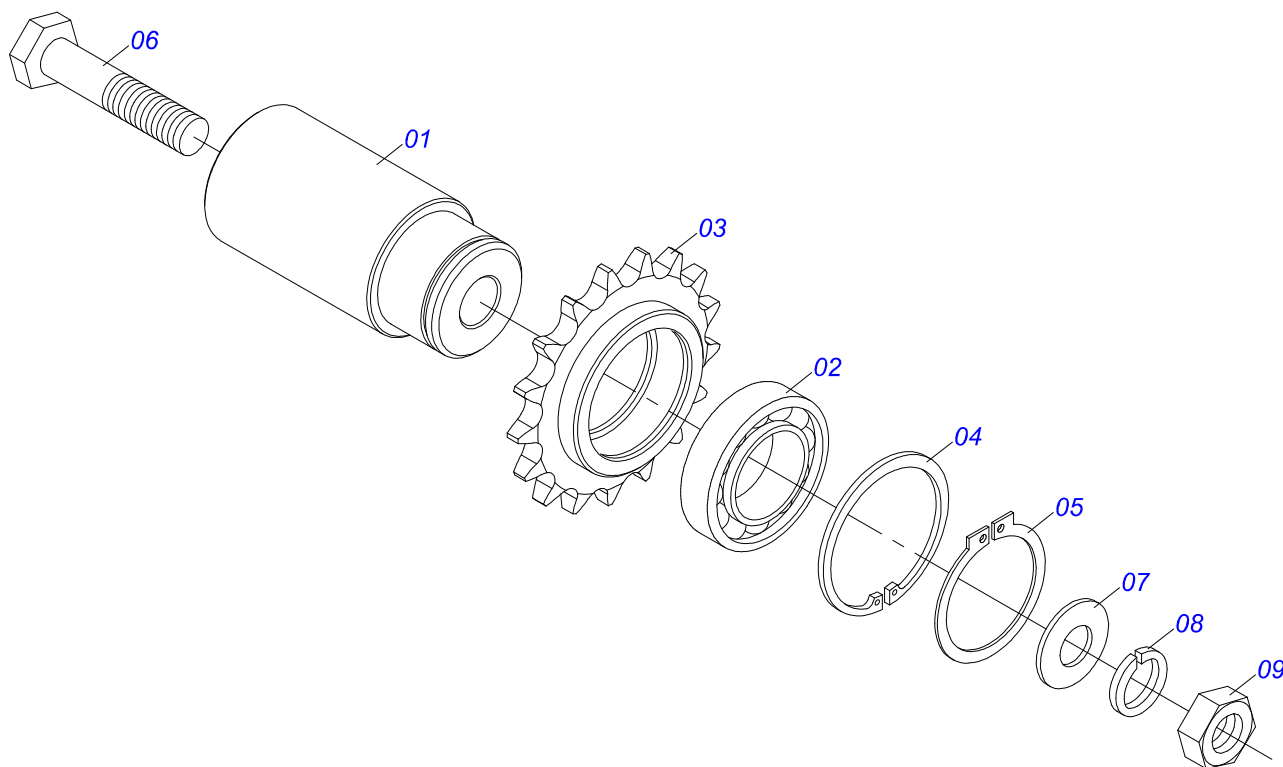
Item	Code	Description	See page	QT
01	0591013645	PRESSURE FILTER SUPPORT		01
02	0521057599	FILTER PRESS PARKER HDA FP20 10FV 06B LV6 15 WITH NIPPLE		01
03	0503011812	BOLT M6 X 1 X 12 CS 8.8 ZN		04
04	0503010143	1/4" SPRING WASHER		04
05	0501011643	3/8 X 1" BOLT		02
06	0501013518	FLAT WASHER		02
07	0503013357	3/8 SELF-ADJUSTING NUT		02



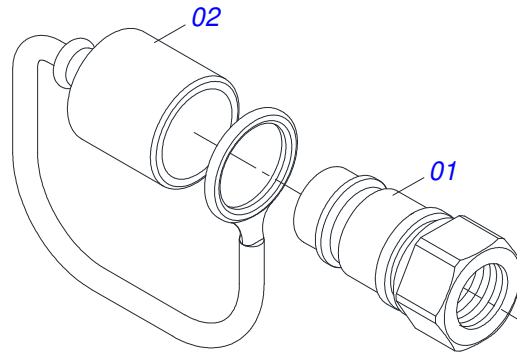
Item	Code	Description	See page	QT
01	0503063077	PRESSURE FILTER PARKER HDA FP20 10FV 06B LV6		01
01A	0503035357	FILTERING ELEMENT FOR PRESSURE FILTER		01
01B	0503019963	DIRT PRESSURE LINE INDICATOR		01
02	0503010605	O'RING		02
03	0591012696	NIPPLE 3/4 BSP X 1.1/16 UNF		02



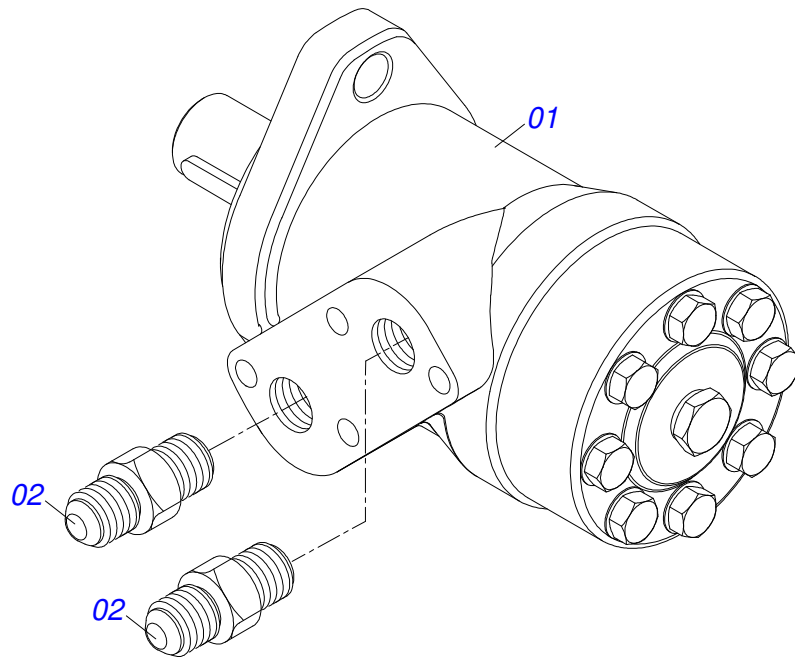
Item	Code	Description	See page	QT
01	0571015185	AXLE TIGHTENER 26		01
02	0503011410	ROLLER BEARING		01
03	0511061836	17Z GEAR		01
04	0503011105	SEAL RING		01
05	0503010406	501025 CLAMPING RING (FOR AXLE)		01
06	0501010096	3/8" X 2" BOLT		01
07	0501010984	10,50 X 27 X 3,00 FLAT WASHER		01
08	0503010025	3/8 SPRING WASHER		01
09	0503010026	3/8" NUT		01



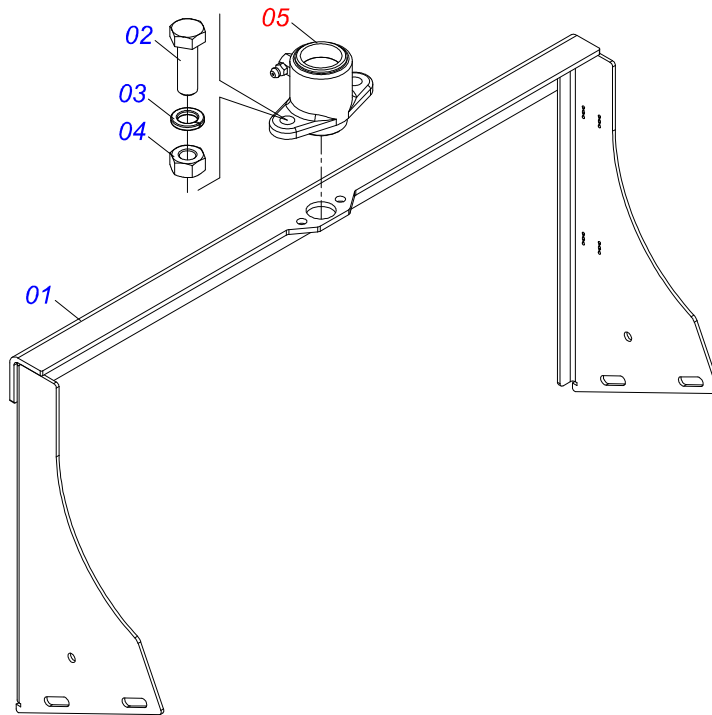
Item	Code	Description	See page	QT
01	0571015186	AXLE TIGHTENER 26		01
02	0503011410	ROLLER BEARING		01
03	0511061836	17Z GEAR		01
04	0503011105	SEAL RING		01
05	0503010406	501025 CLAMPING RING (FOR AXLE)		01
06	0503010718	3/8" X 3-1/2" BOLT		01
07	0501010984	10,50 X 27 X 3,00 FLAT WASHER		01
08	0503010025	3/8 SPRING WASHER		01
09	0503010026	3/8" NUT		01



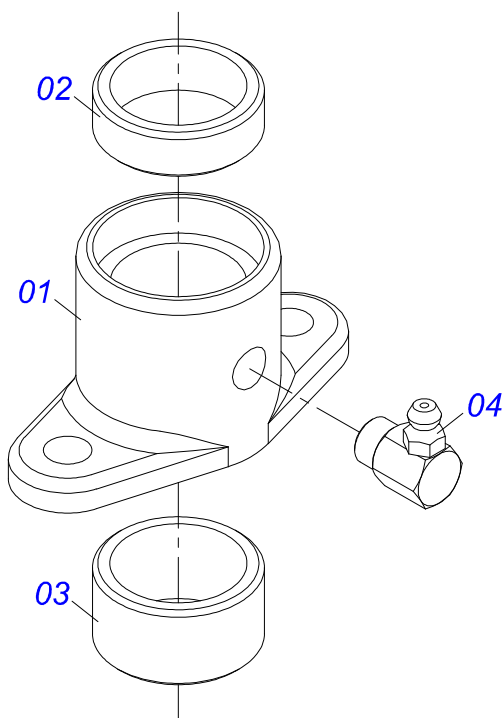
Item	Code	Description	See page	QT
01	0503011627	MALE QUICK COUPLER AGR 1/2 NPT		01
02	0503011882	MALE QUICK COUPLER CAP		01



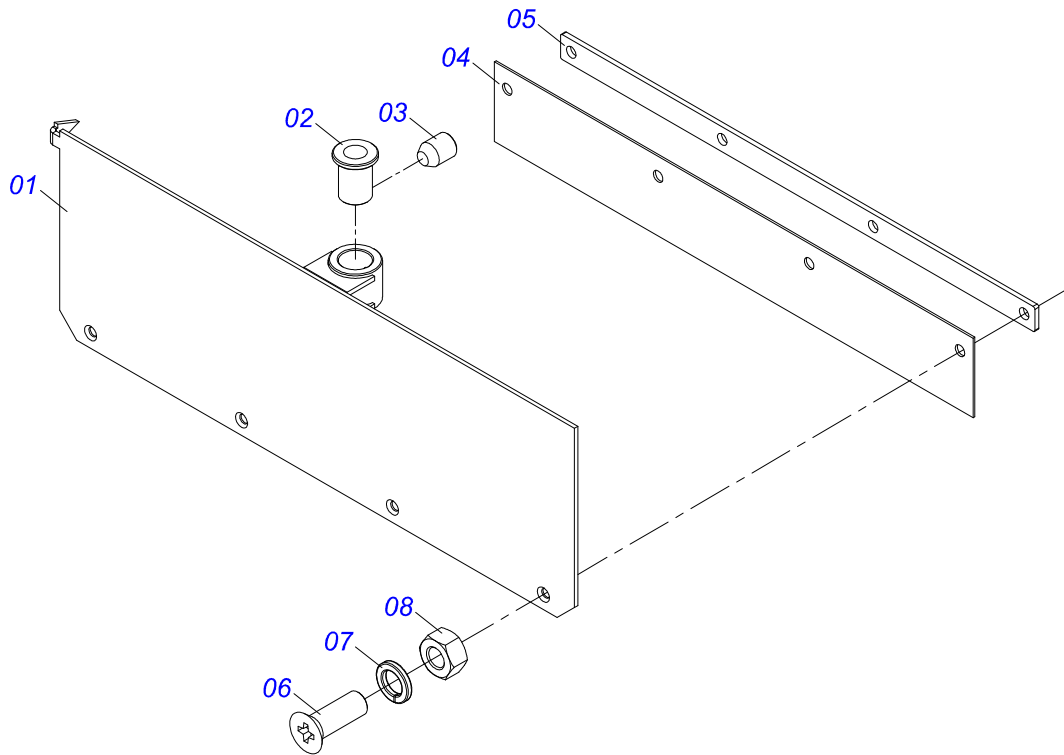
Item	Code	Description	See page	QT
01	0503016055	PARKER OMP 80 ISOBUS HYDRAULIC MOTOR		01
02	0511014065	7/8" NF X R1/2NPT X 52 NIPPLE		02



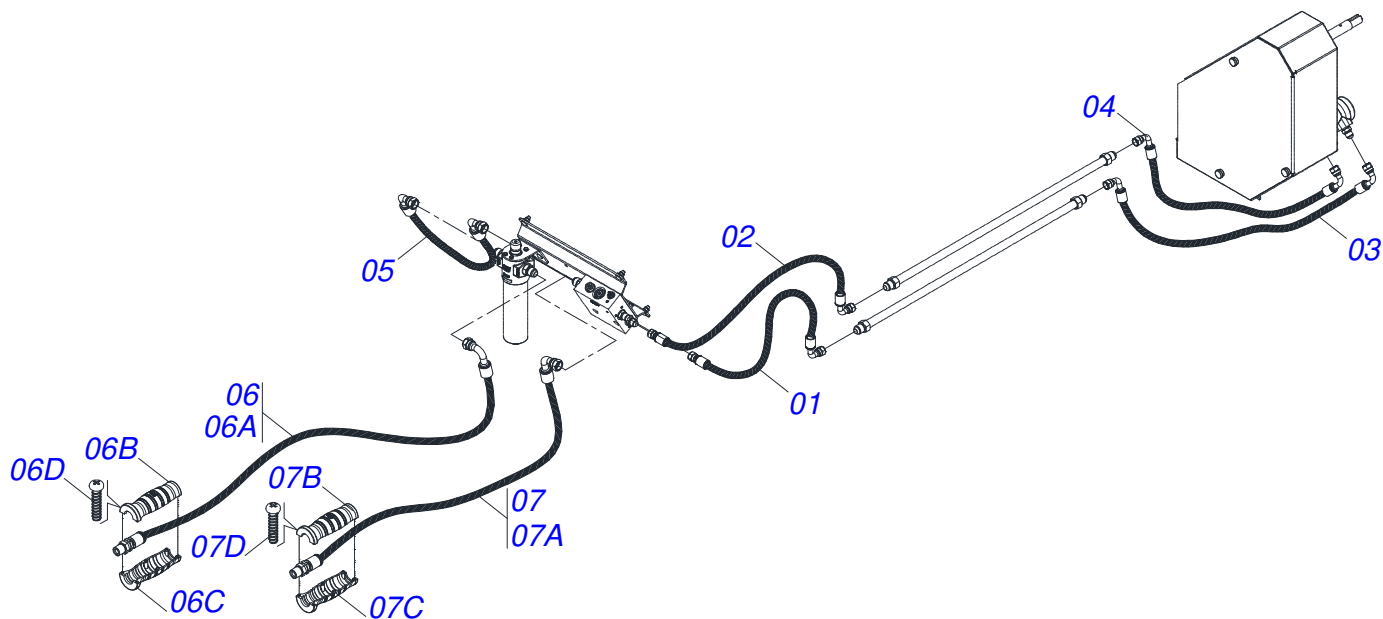
Item	Code	Description	See page	QT
01	0511063410	SLUICE VALVE SUPPORT		01
02	0503010363	BOLT 5/16 UNC X 1 C S G.2 ZN		02
03	0503011444	SPRING WASHER		02
04	0503010337	5/16" NUT		02
05	0511059094	SHAFT BEARING THREADED	21	01



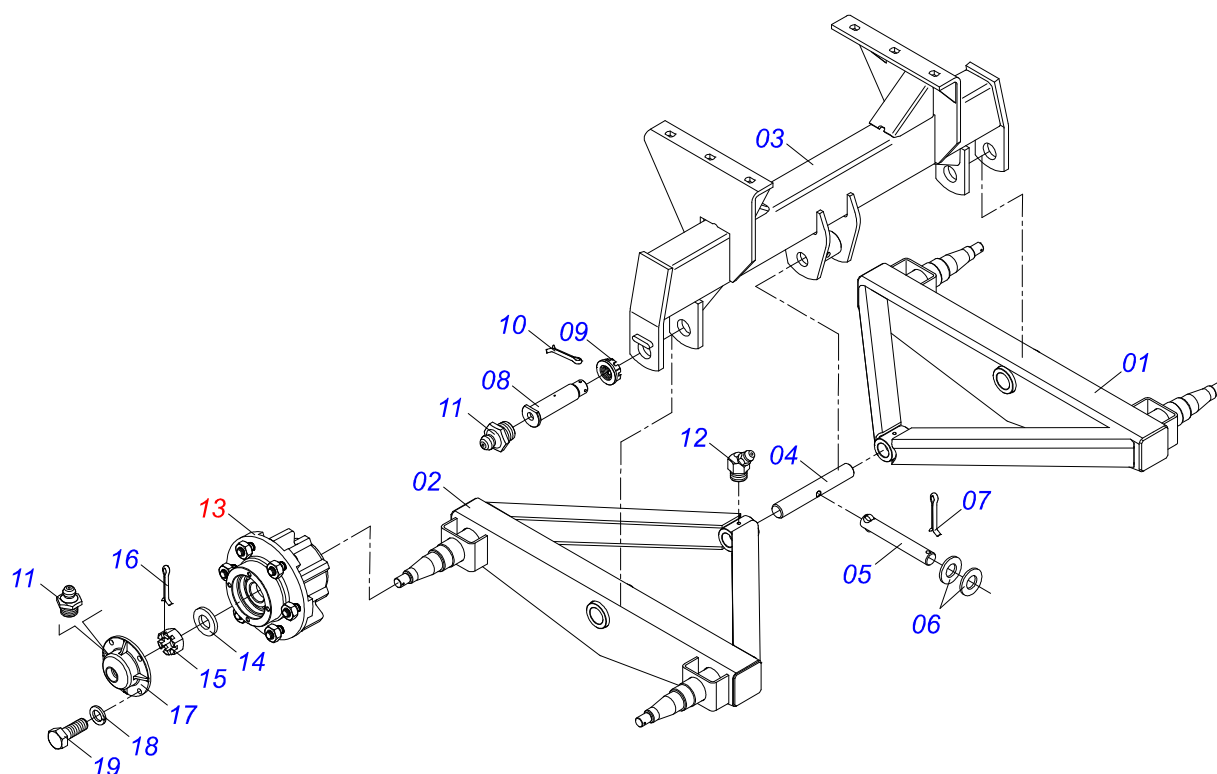
Item	Code	Description	See page	QT
01	0502010581	ROD BEARING		01
02	0521010458	SLEEVE		01
03	0521010457	SLEEVE		01
04	0503010004	1890 GREASE FITTING		01



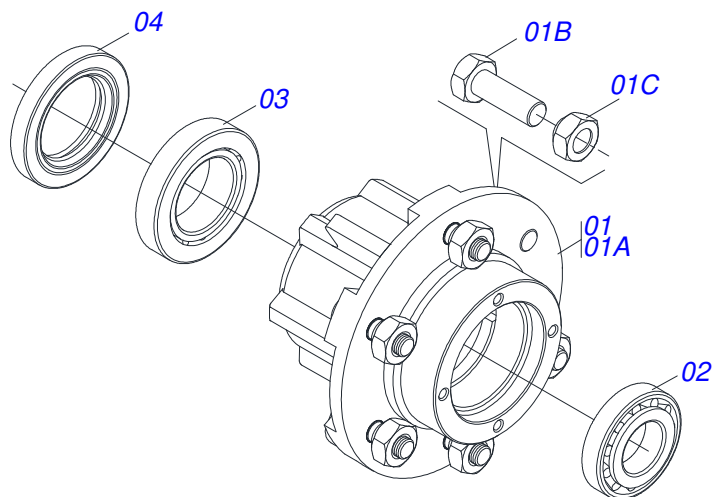
Item	Code	Description	See page	QT
01	0511063413	SLUICE VALVE COVER		01
02	0501019831	ADJUSTING NUT		01
03	0503011148	3/8" X 1/2" BOLT		01
04	0531014336	31.4"X3.1"X 0.1" PROTECTION SMALLER		01
05	0531014331	SLUICE VALVE FIXER COVER		01
06	0503010546	5/16" X 7/8" BOLT		05
07	0503011444	SPRING WASHER		05
08	0503010337	5/16" NUT		05



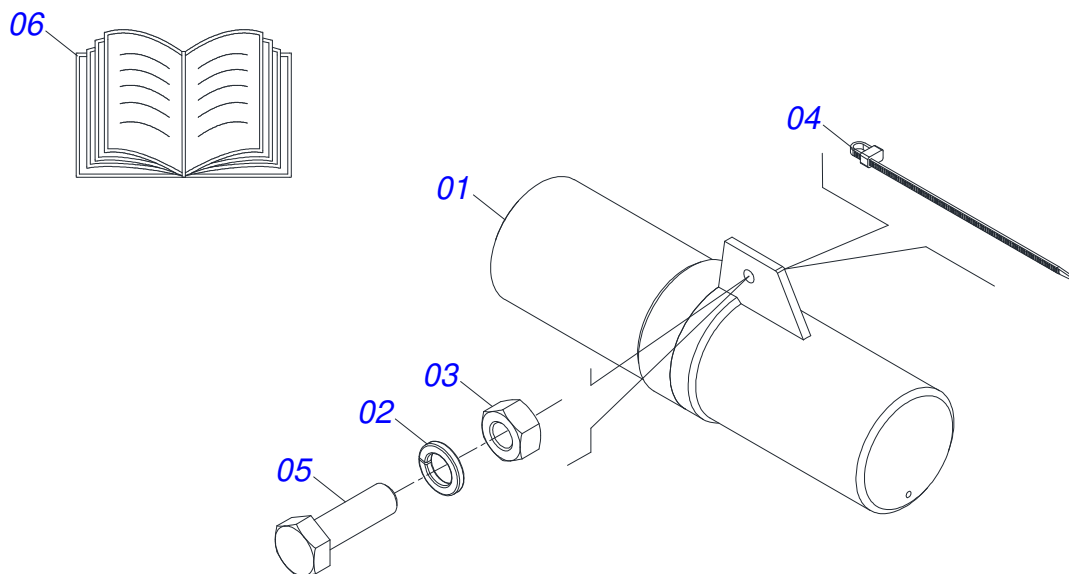
Item	Code	Description	See page	QT
01	0501081235	1/2 X 650 TR- TC HOSE		01
02	0501080218	1/2 X 750 HOSE		01
03	0501082303	HOSE 1/2 X 930 TC-TC 90G		01
04	0501082304	1/2 X 1000 TR-TC HOSE		01
05	0501081365	HOSE 3/4 X 680 TC-TC 180G		01
06	0521057977	HOSE 3/4 X 2100 TC-TM AMARILLO/AZUL		01
06A	0501082295	HOSE 3/4 X 2100 TC - TM R.1/2NPT		01
06B	0503034493	HYDRAULIC HOSE DEPTH (YELLOW)		01
06C	0503034494	HYDRAULIC HOSE GRIP (BLUE)		01
06D	0503018952	PLASTIC BOLT		06
07	0521057976	HOSE 3/4 X 2100 TC-TM YELLOW/RED		01
07A	0501082295	HOSE 3/4 X 2100 TC - TM R.1/2NPT		01
07B	0503034493	HYDRAULIC HOSE DEPTH (YELLOW)		01
07C	0503034495	HYDRAULIC HOSE GRIP (RED)		01
07D	0503018952	PLASTIC BOLT		06



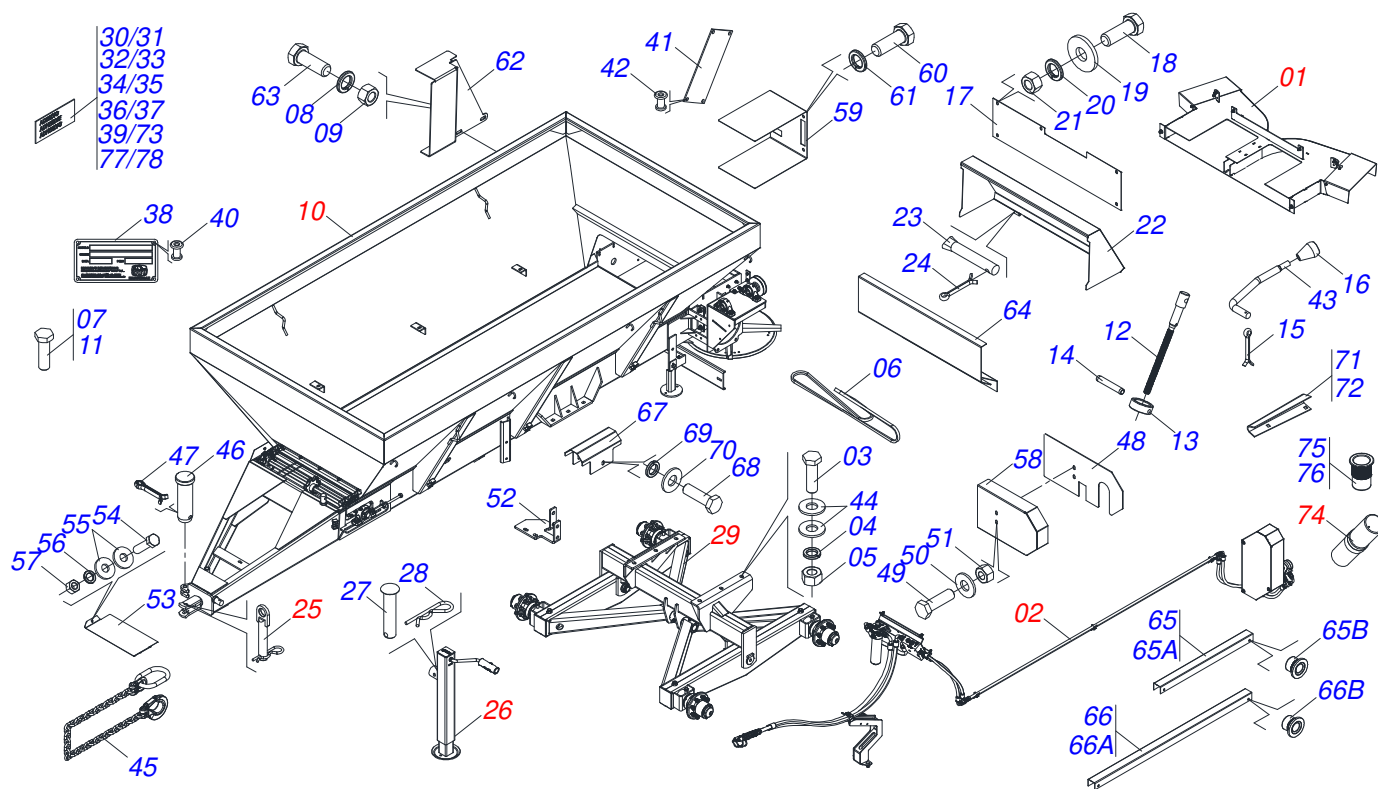
Item	Code	Description	See page	QT
01	0501069577	RIGHT ROCKER ARM		01
02	0501069578	LEFT BELL CRANCK		01
03	0511063855	ROCKER ARM SUPPORT FIXATION		01
04	0521012427	1.5" X 11.4" COUPLING SHAFT		01
05	0521010553	0.5" X 3" COUPLING SHAFT		01
06	0511017302	FLAT WASHER 13,50 X 32,50 X 3,0 ZN		02
07	0503010257	1/8" X 1" COTTERPIN		01
08	0521012431	1-1/2" 7.6 PIVOT SHAFT		02
09	0501011301	1.1/2 UNC 6FPP 2.5/16 NUT		02
10	0503010010	1/4" X 2.1/2" COTTERPIN		02
11	0503010002	1800 GREASE FITTING		06
12	0503010003	1845 GREASE FITTING		02
13	0501051142	CARRYING WHEEL HUB	25	04
14	0501016545	FLAT WASHER		04
15	0503030009	1" CASTLE NUT		04
16	0503010131	3/16" X 1-1/2" COTTERPIN		04
17	0502020591	PROTECCION COVER		04
18	0503011444	SPRING WASHER		16
19	0503010358	5/16" X 5/8" BOLT		16



Item	Code	Description	See page	QT
01	0501110728	WHEEL HUB		01
01A	0502011121	CARRYING WHEEL HUB		01
01B	0501010127	9/16" X 1-7/8" LUG BOLT		06
01C	0503010035	9/16" CONIC NUT		06
02	0503010037	30207 ROLLER BEARING		01
03	0503010006	32210 ROLLER BEARING		01
04	0503012928	SEAL		01



Item	Code	Description	See page	QT
01	0503060100	INSTRUCTIONS MANUAL CANISTER		01
02	0503010179	LOCK WASHER 5/16 ZN 1K01528		01
03	0503010337	5/16" NUT		01
04	0503010267	NYLON CLAMP		01
05	0503010363	BOLT 5/16 UNC X 1 C S G.2 ZN		01
06	0501036432	CAT BAG / MANUAL		01



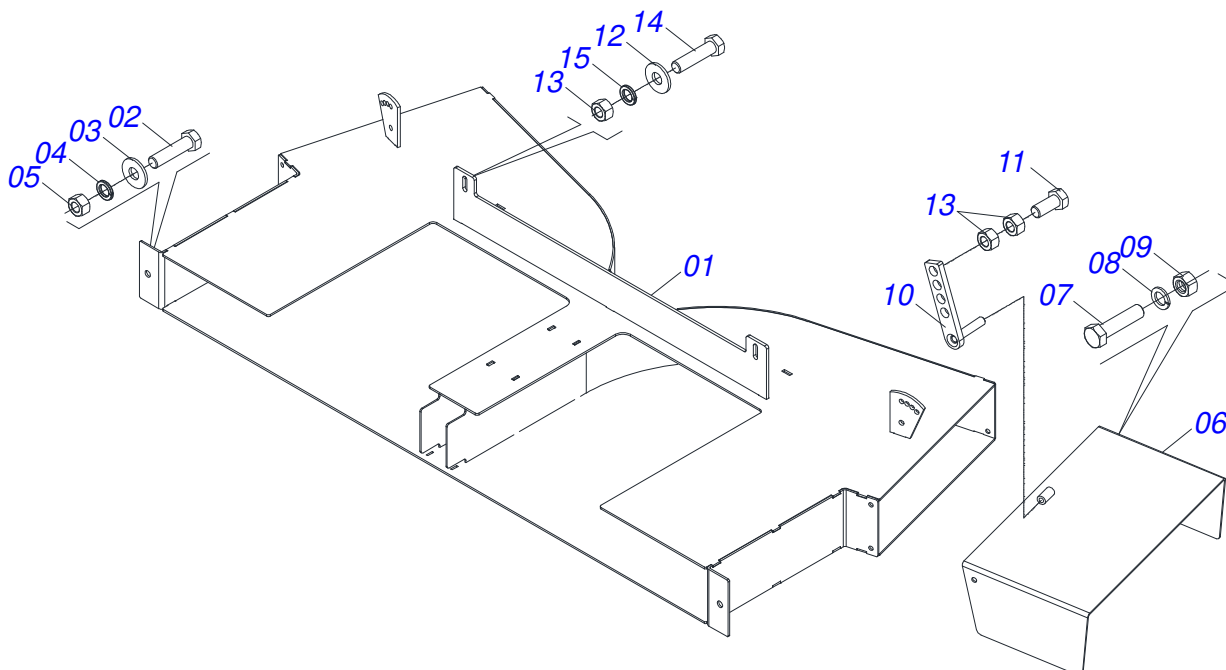
Item	Code	Description	See page	QT
01	0521055686	SEMI MOUNTED DRIVER	28	01
02	0521058129	HYDRAULIC DRIVE ASSY	10	01
03	0503010899	5/8 UNC X 2.1/4 BOLT		06
04	0503010027	5/8 SPRING WASHER		06
05	0503010013	5/8 NUT		06
06	0503012941	C-148 BELT		01
07	0503010751	C3/8" X 1.1/4" HEX BOLT G.5		02
08	0503010025	3/8 SPRING WASHER		04
09	0503010026	3/8" NUT		02
10	0521055691	BUCKET	30	01
11	0503010237	3/8" X 1" BOLT		02
12	0561014861	REGULATOR		01
13	0511013015	SLEEVE		01
14	0503010561	SPRING PIN		01
15	0503010257	1/8" X 1" COTTERPIN		01
16	0503030878	LEVER CRANK		01
17	0531014340	REAR PROTECTION		01
18	0503010237	3/8" X 1" BOLT		05
19	0501010984	10,50 X 27 X 3,00 FLAT WASHER		05
20	0503010025	3/8 SPRING WASHER		05
21	0503010026	3/8" NUT		05
22	0511063408	REAR COVER PROTECTION		01
23	0501017574	0.3" X 2.7" AXLE		02
24	0503010140	1/8" X 3/4" COTTERPIN		02
25	0501047881	AXIS JOINT ASSY	29	01
26	0503062157	DRAWBAR JACK	34	01
27	0521010549	COUPLING SHAFT		01
28	0503030168	HITCH PIN CLIP		01
29	0511041064	FIXING STAND ASSY	24	01
30	0503060821	SET LABEL ADHESIVE		01
31	0503031859	ADHESIVE LABEL DANGER		02



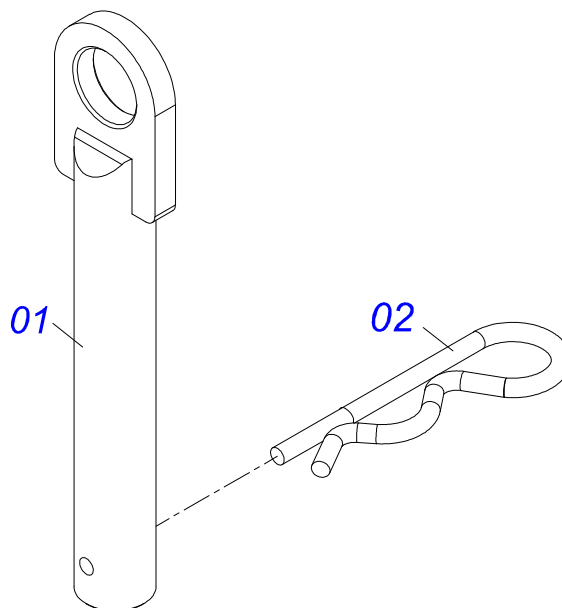
ASSY FRAME

0521047254

Item	Code	Description	See page	QT
32	0503031428	READ MANUAL DECAL		01
33	0503031827	LUBRICATE AND RETIGHTEN DAILY DECAL		01
34	0503031087	ADHESIVE LABEL		01
35	0503031818	ADHESIVE LABEL		01
36	0503031809	ADHESIVE LABEL		01
37	0503032425	ADHESIVE LABEL ATTENTION		01
38	0503034003	SERIAL NUMBER TAG 61 X 118		01
39	0503032949	ADHESIVE LABEL		01
40	0503010001	3.2 X 5.5 RIVET		04
41	0503030751	REGULATOR PLATE		01
42	0503012209	RIVET POP		04
43	0521011107	CRANK BODY		01
44	0501012140	FLAT WASHER		12
45	0503013150	1300 X 3/8 CHAIN		01
46	0581011220	COUPLING SHAFT		01
47	0503010131	3/16" X 1-1/2" COTTERPIN		01
48	0521068792	COVER PROTECTION		01
49	0503010237	3/8" X 1" BOLT		02
50	0501010984	10,50 X 27 X 3,00 FLAT WASHER		02
51	0503010026	3/8" NUT		02
52	0521068801	SUPPORT BELT PROTECTION		01
53	0581017452	FRONT PROTECTION BELT		01
54	0503010849	3/8" X 1-1/2" BOLT		02
55	0501010984	10,50 X 27 X 3,00 FLAT WASHER		04
56	0503010025	3/8 SPRING WASHER		02
57	0503010026	3/8" NUT		02
58	0581017450	BELT SIDE PROTECTOR		01
59	0581017453	FLANGE PROTECTION COVER		01
60	0503010237	3/8" X 1" BOLT		02
61	0503010025	3/8 SPRING WASHER		02
62	0581017469	PROTECTION SIDE		01
63	0503010849	3/8" X 1-1/2" BOLT		04
64	0521068794	BELT INTERNAL PROTECTION		01
65	0531059016	SMALL TRANSMISSION SHAFT PROTECTION		01
65A	0581017461	SMALL AXLE PROTECTION COVER		01
65B	0503019729	THREAD SCREW INTERNAL		04
66	0531059015	TRANSMISSION SHAFT PROTECTION		01
66A	0581017463	SMALL AXLE PROTECTION COVER		01
66B	0503019729	THREAD SCREW INTERNAL		04
67	0581015152	COVER PROTECTION		01
68	0503010240	BOLT		02
69	0503010179	LOCK WASHER 5/16 ZN 1K01528		02
70	0501010984	10,50 X 27 X 3,00 FLAT WASHER		02
71	0531014343	RH FLIP		04
72	0531014344	LH FLIP		04
73	0503034648	ADHESIVE LABEL		01
74	0531050102	CATALOGUE/MANUAL CANISTER ASSY	26	01
75	0503019416	RIVET SCREW THREAD INTERNAL		02
76	0503019413	THREAD SCREW INTERNAL		04
77	0503035156	LABEL ADHESIVE		01
78	0503036144	MAXIMUM SPEED ADHESIVE LABEL		01

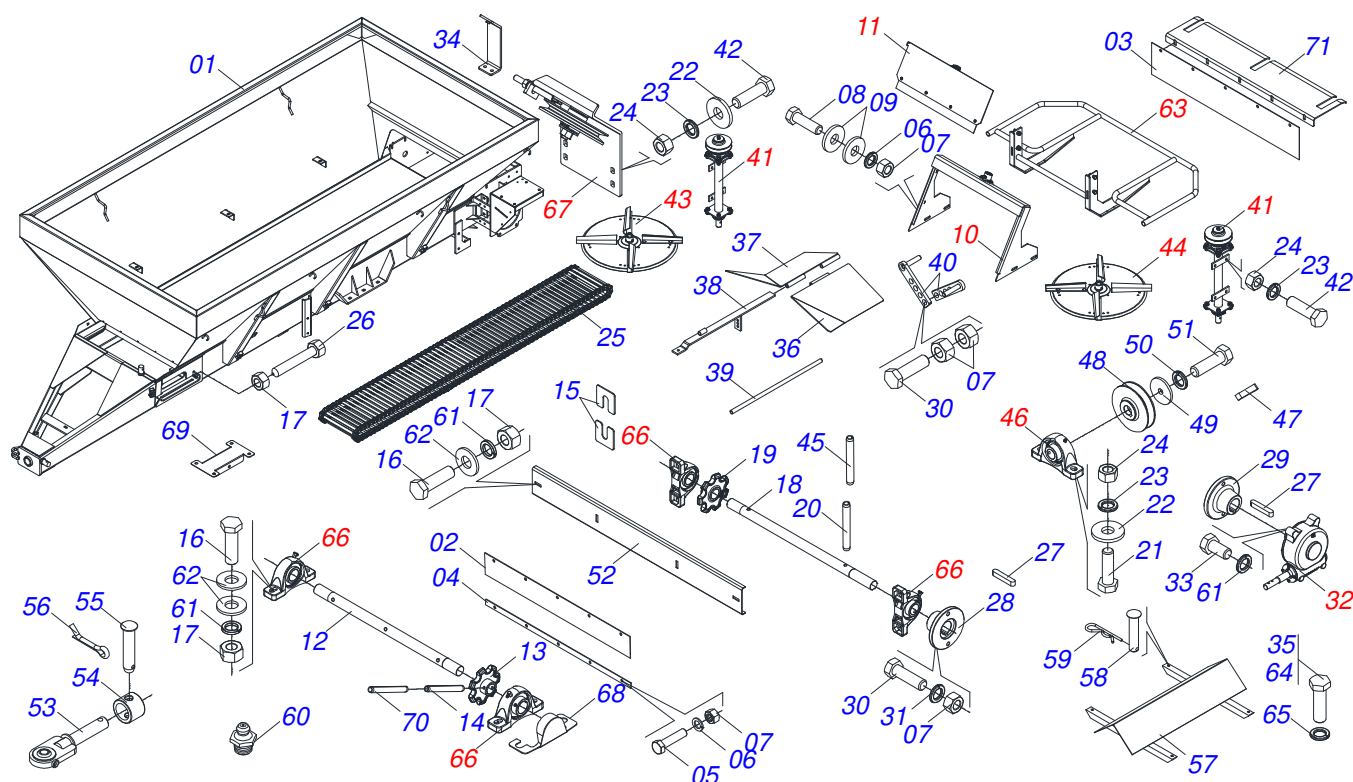


Item	Code	Description	See page	QT
01	0511064253	CONTROLLER		01
02	0503010395	1/2" X 1-1/4" BOLT		02
03	0511017302	FLAT WASHER 13,50 X 32,50 X 3,0 ZN		02
04	0503010019	1/2" SPRING WASHER		02
05	0503010060	1/2 UNC G.5 ZN HEX NUT		02
06	0511064254	CONTROLLER SPOUT		02
07	0503010240	BOLT		04
08	0503010179	LOCK WASHER 5/16 ZN 1K01528		04
09	0503010337	5/16" NUT		04
10	0501067368	DIVISOR REGULATOR OPEN		02
11	0503010751	C3/8" X 1.1/4" HEX BOLT G.5		02
12	0501010984	10,50 X 27 X 3,00 FLAT WASHER		02
13	0503010026	3/8" NUT		06
14	0503010849	3/8" X 1-1/2" BOLT		02
15	0503010025	3/8 SPRING WASHER		02



Item	Code	Description	See page	QT
01	0501068989	COUPLING SHAFT		01
03	0503031035	HITCH PIN CLIP		01

BUCKET



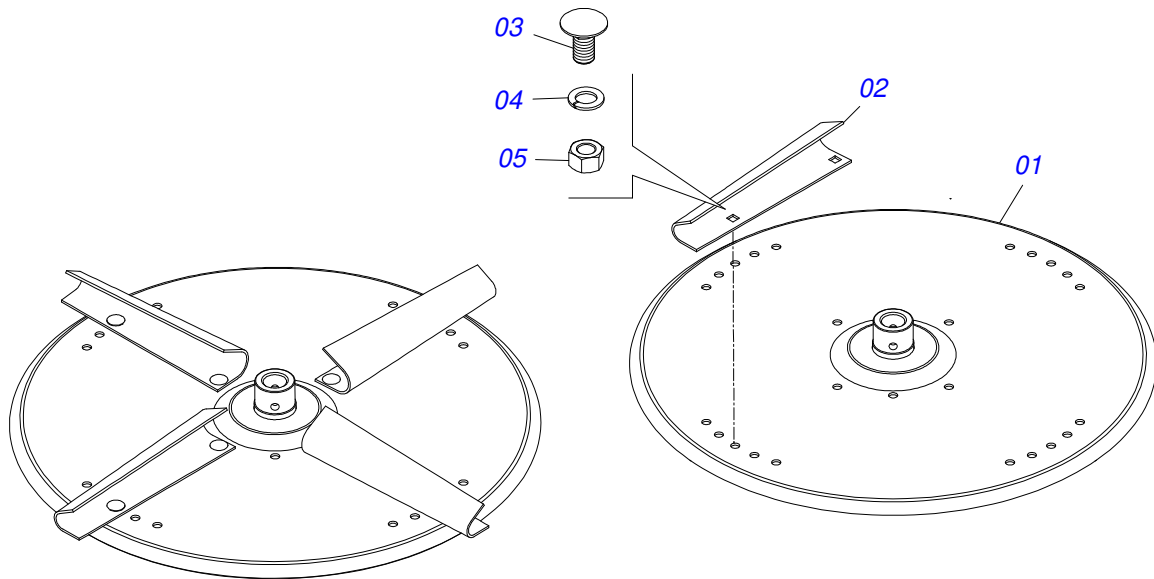
Item	Code	Description	See page	QT
01	0511063856	BUCKET		01
02	0531014336	31.4"X3.1"X 0.1" PROTECTION SMALLER		01
03	0531014337	PROTECTION LARGER		02
04	0531014331	SLUICE VALVE FIXER COVER		01
05	0503010237	3/8" X 1" BOLT		11
06	0503011443	3/8" SPRING WASHER		15
07	0503010026	3/8" NUT		19
08	0503010751	C3/8" X 1.1/4" HEX BOLT G.5		04
09	0501010984	10,50 X 27 X 3,00 FLAT WASHER		08
10	0511059105	SLUICE VALVE SUPPORT	20	01
11	0511059108	SLUICE VALVE COVER ASSY	22	01
12	0591016382	DRIVEN AXLE		01
13	0591016380	GEAR		01
14	0503010361	SPRING PIN		03
15	0501010794	HIDR CHOCK REGULATOR		04
16	0503010233	5/8" X 2-1/2" BOLT		04
17	0503010013	5/8 NUT		08
18	0591016381	DRIVING AXLE		01
19	0591016380	GEAR		01
20	0503010361	SPRING PIN		03
21	0503010740	BOLT 1/2 UNC X 2 CS G.5 ZN		08
22	0511017302	FLAT WASHER 13,50 X 32,50 X 3,0 ZN		16
23	0503011440	SPRING WASHER		22
24	0503010060	1/2 UNC G.5 ZN HEX NUT		22
25	0511063805	DRIVE THE TRANSPORT TALISCA		01
26	0501067853	ROD STABILIZER		02
27	0501010540	KEYWAY SQUARE		02
28	0511016540	MAT COUPLING FLANGE		01
29	0511016541	REDUCTION COUPLING FLANGE		01
30	0503010849	3/8" X 1-1/2" BOLT		03
31	0503011443	3/8" SPRING WASHER		02



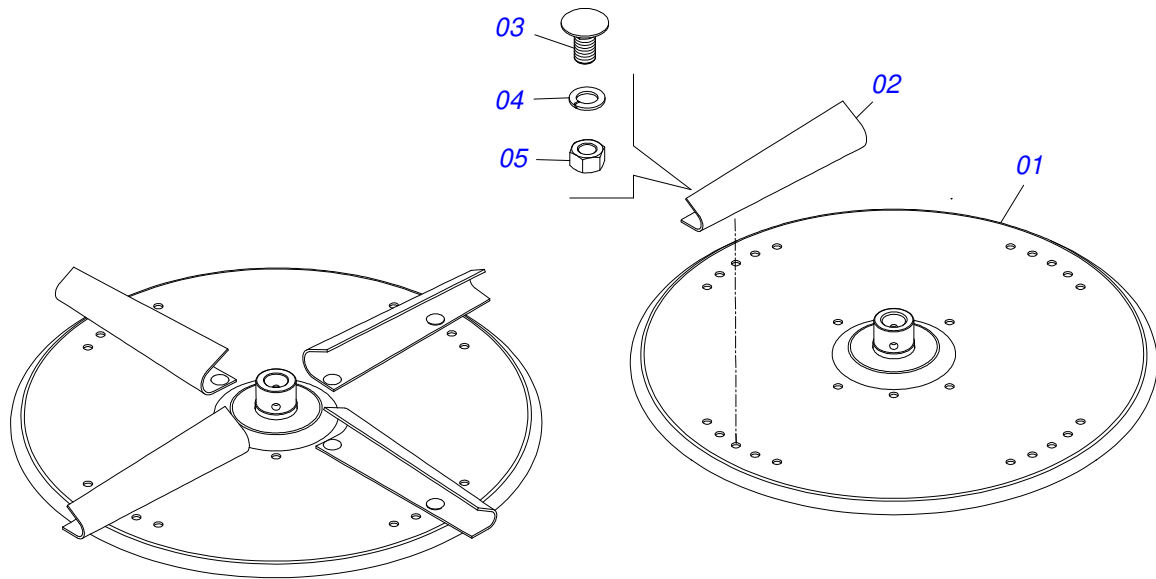
BUCKET

0521055691

Item	Code	Description	See page	QT
32	0501047985	REDUCER	4	01
33	0503011167	M16 X 2 X 30 BOLT		04
34	0511063668	REAR FIXER COVER		01
35	0503010238	BOLT 1/2 UNC X 1.3/4 CS G.2 ZN		04
36	0511063659	RIGHT FLOW DIVIDING		01
37	0511063660	LEFT FLOW DIVIDING		01
38	0531061725	REAR DEFLECTOR SUPPORT		01
39	0531015309	TENSIONER OPEN		01
40	0531061722	DIVIDER OPENING REGULATOR		01
41	0501054013	RIGHT BEARRING SUPPORT DISC		02
42	0503010920	1/2 UNC X 1.1/2 C S G.5 ZN BOLT		10
43	0501058675	DISTRIBUTOR LEFT DISC ASSY	31	01
44	0501058677	DISTRIBUTOR RIGHT DISC ASSY	32	01
45	0503010361	SPRING PIN		02
46	0511041213	AGRICULTURAL BEARING	9	02
47	0501010536	KEYWAY SQUARE		01
48	0502012936	1 C X 219 X 30 PULLEY		01
49	0511014052	FLAT WASHER		01
50	0503011446	SPRING WASHER		01
51	0503010355	7/16" X 1" BOLT		01
52	0531061723	BUMPER WITH CLIP		01
53	0521068793	TRACTOR TRACTOR		01
54	0521010681	BUSHING COUPLING BODY		01
55	0521010639	COUPLING SHAFT		01
56	0503010571	1/4" X 1.1/2 COTTERPIN		01
57	0511063853	LARGER DEFLECTOR		01
58	0521017623	0.5" X 1.5" COUPLING SHAFT		04
59	0503030168	HITCH PIN CLIP		04
60	0503011098	1/4" GREASE FITTING		04
61	0503011445	SPRING WASHER		16
62	0501012140	FLAT WASHER		08
63	0531050089	FULL DISK PROTECTOR		01
64	0503011267	5/8 UNC X 1.1/2 C S G.5 ZN BOLT		02
65	0503011445	SPRING WASHER		02
66	0501044308	AGRICULTURAL BEARING ASSY		04
67	0501053868	BELT TENSIONER ASSY	6	01
68	0521068822	BEARING PROTECTION		03
69	0521068109	FIXER PROTECTION COVER		01
70	0503010756	0.2" X 2.4" SPRING PIN		06
71	0531014324	TOOTH COVER		01

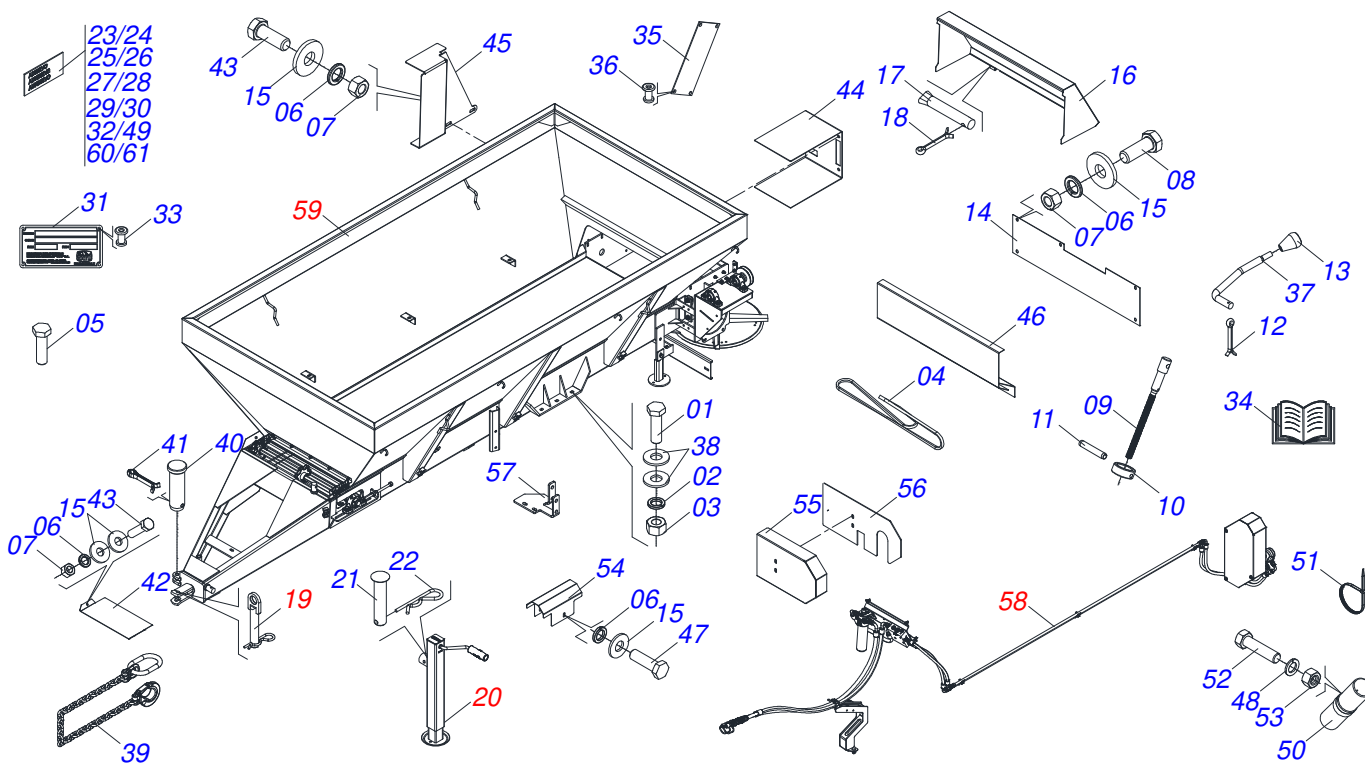


Item	Code	Description	See page	QT
01	0511063411	DISTRIBUTOR DISC		01
02	0531014344	LH FLIP		04
03	0503013029	3/8" X 3/4" BOLT		08
04	0503011443	3/8" SPRING WASHER		08
05	0503010026	3/8" NUT		08



Item	Code	Description	See page	QT
01	0511063411	DISTRIBUTOR DISC		01
02	0531014343	RH FLIP		04
03	0503013029	3/8" X 3/4" BOLT		08
04	0503011443	3/8" SPRING WASHER		08
05	0503010026	3/8" NUT		08

ASSY FRAME



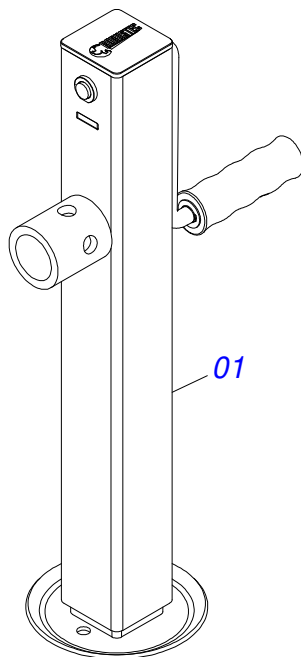
Item	Code	Description	See page	QT
01	0503010899	5/8 UNC X 2.1/4 BOLT		06
02	0503010027	5/8 SPRING WASHER		06
03	0503010013	5/8 NUT		06
04	0503012941	C-148 BELT		01
05	0503010751	C3/8" X 1.1/4" HEX BOLT G.5		02
06	0503010025	3/8 SPRING WASHER		13
07	0503010026	3/8" NUT		11
08	0503010237	3/8" X 1" BOLT		11
09	0561014861	REGULATOR		01
10	0511013015	SLEEVE		01
11	0503010561	SPRING PIN		01
12	0503010257	1/8" X 1" COTTERPIN		01
13	0503030878	LEVER CRANK		01
14	0531014340	REAR PROTECTION		01
15	0501010984	10,50 X 27 X 3,00 FLAT WASHER		13
16	0511063408	REAR COVER PROTECTION		01
17	0501017574	0.3" X 2.7" AXLE		02
18	0503010140	1/8" X 3/4" COTTERPIN		02
19	0501047881	AXIS JOINT ASSY	29	01
20	0503062157	DRAWBAR JACK	34	01
21	0521010549	COUPLING SHAFT		01
22	0503030168	HITCH PIN CLIP		01
23	0503060821	SET LABEL ADHESIVE		01
24	0503031859	ADHESIVE LABEL DANGER		02
25	0503031428	READ MANUAL DECAL		01
26	0503031827	LUBRICATE AND RETIGHTEN DAILY DECAL		01
27	0503031087	ADHESIVE LABEL		01
28	0503031818	ADHESIVE LABEL		01
29	0503031809	ADHESIVE LABEL		01
30	0503032425	ADHESIVE LABEL ATTENTION		01
31	0503034003	SERIAL NUMBER TAG 61 X 118		01



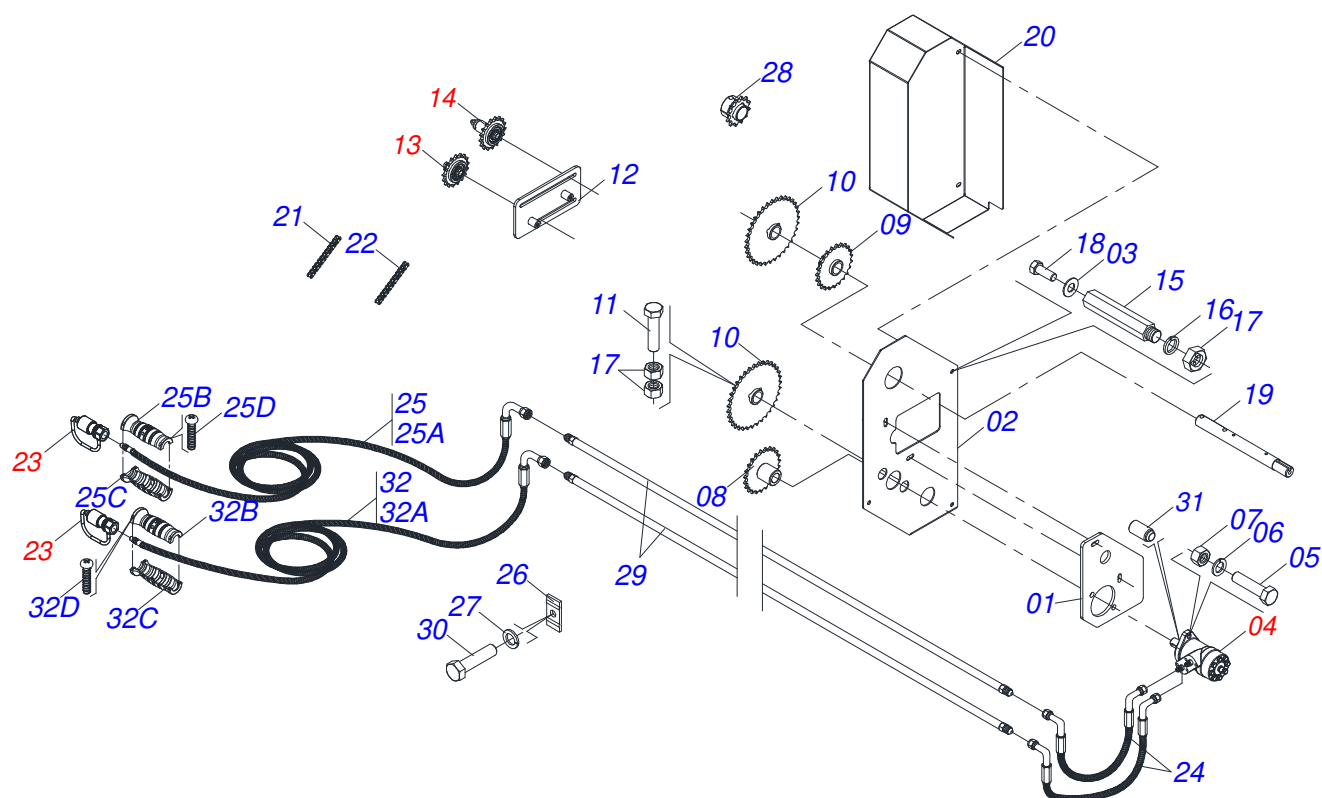
ASSY FRAME

0521046403

Item	Code	Description	See page	QT
32	0503032949	ADHESIVE LABEL		01
33	0503010001	3.2 X 5.5 RIVET		04
34	0501036432	CAT BAG / MANUAL		01
35	0503030751	REGULATOR PLATE		01
36	0503012209	RIVET POP		04
37	0521011107	CRANK BODY		01
38	0501012140	FLAT WASHER		12
39	0503013150	1300 X 3/8 CHAIN		01
40	0581011220	COUPLING SHAFT		01
41	0503010131	3/16" X 1-1/2" COTTERPIN		01
42	0581017452	FRONT PROTECTION BELT		01
43	0503010849	3/8" X 1-1/2" BOLT		06
44	0581017453	FLANGE PROTECTION COVER		01
45	0581017469	PROTECTION SIDE		01
46	0521068794	BELT INTERNAL PROTECTION		01
47	0503010240	BOLT		02
48	0503010179	LOCK WASHER 5/16 ZN 1K01528		03
49	0503034648	ADHESIVE LABEL		01
50	0503060100	INSTRUCTIONS MANUAL CANISTER		01
51	0503010267	NYLON CLAMP		01
52	0503010363	BOLT 5/16 UNC X 1 C S G.2 ZN		01
53	0503010337	5/16" NUT		01
54	0581015152	COVER PROTECTION		01
55	0581017450	BELT SIDE PROTECTOR		01
56	0521068792	COVER PROTECTION		01
57	0521068801	SUPPORT BELT PROTECTION		01
58	0511054750	HYDRAULIC CONTROL ASSY	35	01
59	0511054506	BUCKET	3	01
60	0503035156	LABEL ADHESIVE		01
61	0503036144	MAXIMUM SPEED ADHESIVE LABEL		01



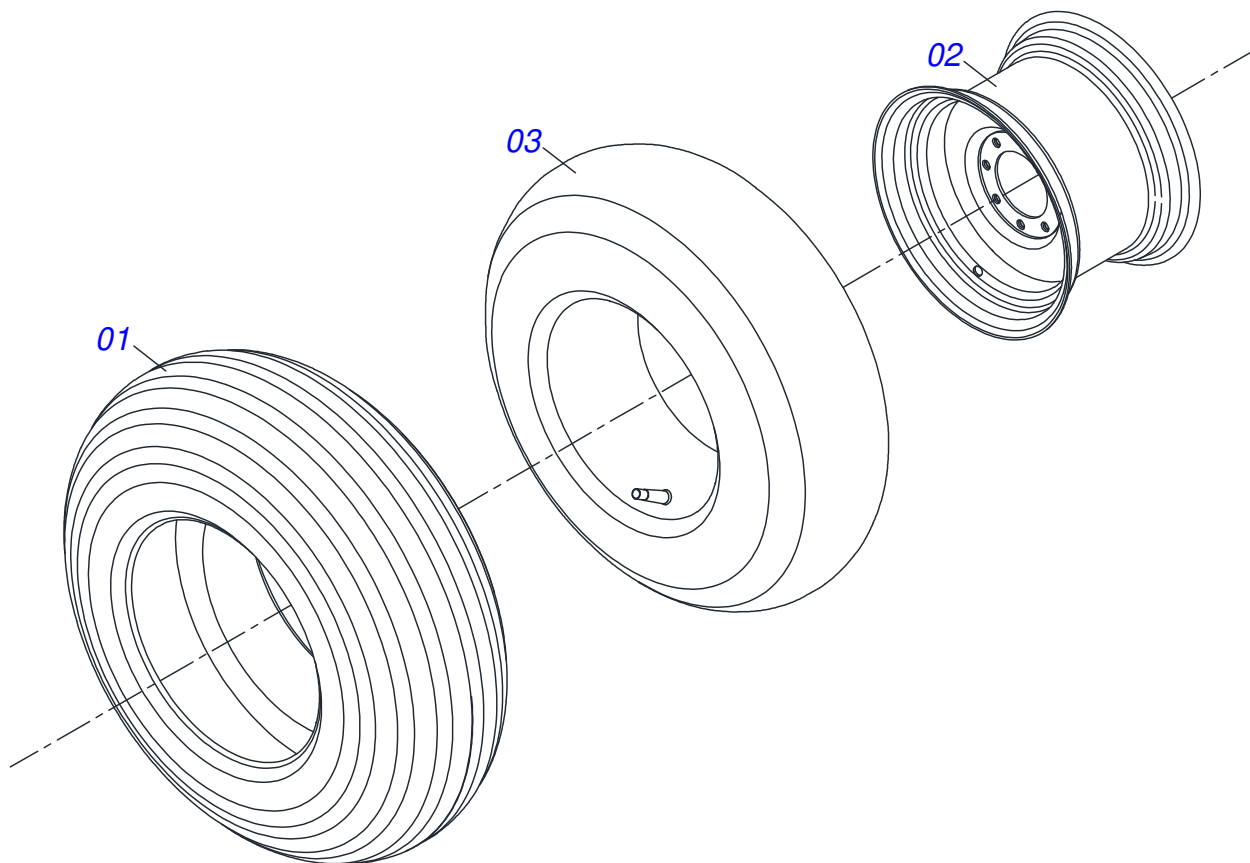
Item	Code	Description	See page	QT
01	0503062157	DRAWBAR JACK	34	01



Item	Code	Description	See page	QT
01	0571015182	HIDRAULIC MOTOR SUPPORT		01
02	0571015456	PROTECTION REAR		01
03	0501010984	10,50 X 27 X 3,00 FLAT WASHER		07
04	0511053588	MOTOR HYDRAULIC OMP 80 WITH NIPPLE 7/8 19 NIPPE 7/8		01
05	0503010920	1/2 UNC X 1.1/2 C S G.5 ZN BOLT		02
06	0503011440	SPRING WASHER		02
07	0503010060	1/2 UNC G.5 ZN HEX NUT		02
08	0521064566	GEAR HIDRAULIC MOTOR		01
09	0521063041	GEAR 23Z		01
10	0501069020	35Z GEAR		02
11	0503011141	3/8" X 2-3/4" BOLT		04
12	0521064691	SUPPORT TENSIONER		01
13	0511054496	TENSIONER SMALEER ASSY	16	01
14	0511054497	TENSIONER LARGER ASSY	17	01
15	0571015189	PRISONER 3/8"		03
16	0503010025	3/8 SPRING WASHER		07
17	0503010026	3/8" NUT		13
18	0503010240	BOLT		03
19	0571015190	DRIVE AXLE		01
20	0571015457	CHAIN CAP		01
21	0503013061	50-1 CHAIN X 64 LINK + REDUCTION		01
22	0503013003	50-1 CHAIN X 79 LINK + REDUCTION + MENDING		01
23	0501053834	MALE QUICK COUPLER	18	02
24	0501081512	HOSE 1/2 X 800 TC-TC 90G		02
25	0521055710	HOSE 1/2 X 2600 TR-TMYELLOW / BLUE		01
25A	0501080246	TR-TM HOSE ASSY		01
25B	0503034493	HYDRAULIC HOSE DEPTH (YELLOW)		01
25C	0503034495	HYDRAULIC HOSE GRIP (RED)		01
25D	0503018952	PLASTIC BOLT		06
26	0531011180	UPPER BODY CLIP		05
27	0503010180	7/16" SPRING WASHER		05



Item	Code	Description	See page	QT
28	0501069017	12Z GEAR		01
29	0521066605	OIL TUBE		02
30	0503011102	BOLT 7/16 UNC X 1.1/4 C S G.5 ZN		03
31	0503017021	M8 X 0.5" BOLT		01
32	0521055709	HOSE 1/2 X 2600 TR-TM YELLOW/BLUE		01
32A	0501080246	TR-TM HOSE ASSY		01
32B	0503034493	HYDRAULIC HOSE DEPTH (YELLOW)		01
32C	0503034494	HYDRAULIC HOSE GRIP (BLUE)		01
32D	0503018952	PLASTIC BOLT		06



Item	Code	Description	See page	QT
01	0503010858	CANVAS TIRE		01
02	0503011468	WEEL		01
03	0503010860	AIR CHAMBER 11L 15		01



MARCHESAN

Technical Publications | Elaboration and Revision

LORENA ROCHA ALVES

www.marchesan.com.br

