

**CHASER BIN**

## **DCCO 7500 MC**

**Code:** 0501093175  
**Series:** S-0302  
**Revision:** 01  
**Date Revision:** JULHO/2023

# **PARTS CATALOGUE**



**MARCHESAN**



# PRODUCTS

Code	Description
0109090047	DCCO 7500 MC S-0302
0109090342	DCCO 7500 MC C/ ABAFADOR C/ RODA S/ PNEU S-0302
0109090056	DCCO 7500 MC C/ABAFADOR S-0302
0109090071	DCCO 7500 MC C/DIRECIONADOR S-0302
0109090099	DCCO 7500 MC C/RODA S/PNEU S-0302
0109090201	DCCO 7500 MC S/RODEIRO S-0302

## ATTENTION: IMPORTANT

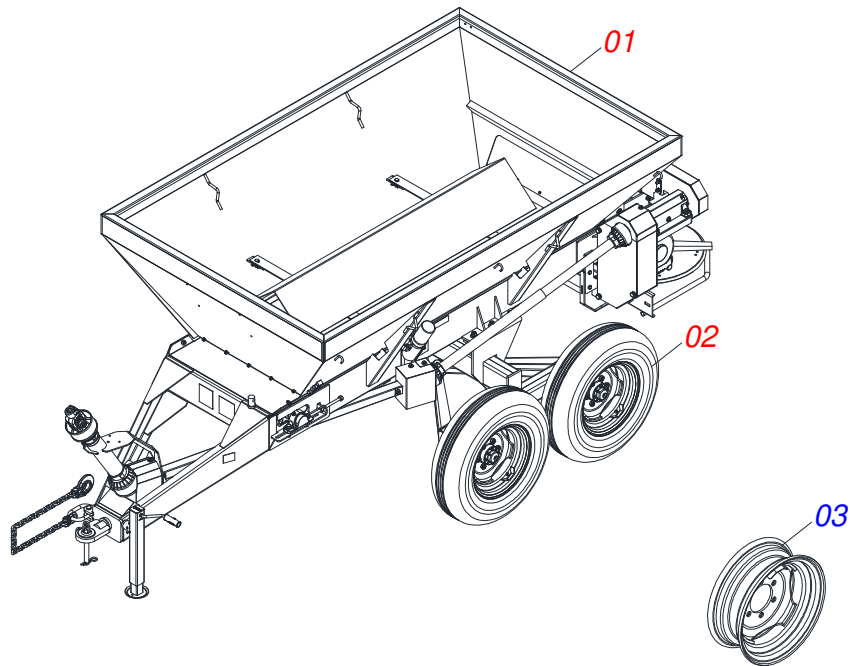
Marchesan S.A. reserves the right to improve and/or modify the technical features of its products, without obligation to do the same with those products already sold and without prior knowledge of the dealer or the customer. The photos are only illustrative.



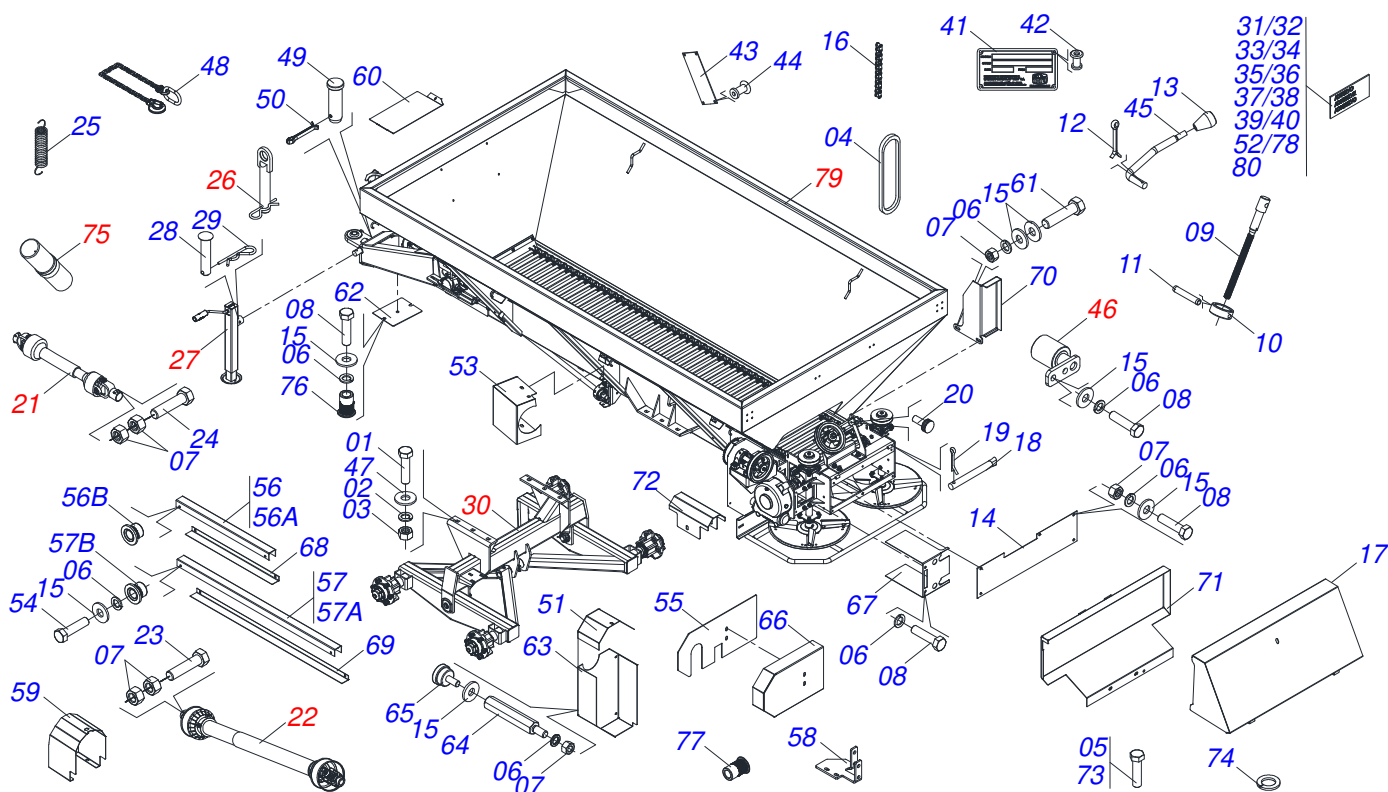
**MARCHESAN**

# INDEX

0909096106	ASSY FRAME	.....	1
0511041065	ASSY FRAME	.....	2
0501048241	DRIVE SHAFT	.....	3
0501048200	DRIVE SHAFT	.....	4
0501047881	AXIS JOINT ASSY	.....	5
0503062157	DRAWBAR JACK	.....	6
0511041064	FIXING STAND ASSY	.....	7
0501051142	CARRYING WHEEL HUB	.....	8
0501050829	CHAIN TENSIONER	.....	9
0531050102	CATALOGUE/MANUAL CANISTER ASSY	.....	10
0511042722	ASSY FRAME WITH DAMPER	.....	11
0531052375	DAMPER	.....	12
0521045218	ASSY FRAME	.....	13
0501054097	BUCKET	.....	14
0511059105	SLUICE VALVE SUPPORT	.....	15
0511059094	SHAFT BEARING THREADED	.....	16
0511059108	SLUICE VALVE COVER ASSY	.....	17
0501047985	REDUCER	.....	18
0501051774	38Z CROWN	.....	19
0501054013	RIGHT BEARRING SUPPORT DISC	.....	20
0501048000	AGRICULTURAL BEARING	.....	21
0501053870	DISTRIBUTOR RIGHT DISC ASSY	.....	22
0501053871	DISTRIBUTOR LEFT DISC ASSY	.....	23
0511041213	AGRICULTURAL BEARING	.....	24
0501044306	BATH BEARING	.....	25
0501044308	AGRICULTURAL BEARING ASSY	.....	26
0501053868	BELT TENSIONER ASSY	.....	27
0531050089	FULL DISK PROTECTOR	.....	28
0521053161	CARDAN SUPPORT WITHOUT SPRING	.....	29
0511043779	ASSY FRAME WITH CONTROLLER	.....	30
0521055686	SEMI MOUNTED DRIVER	.....	31
0501058675	DISTRIBUTOR LEFT DISC ASSY	.....	32
0501058677	DISTRIBUTOR RIGHT DISC ASSY	.....	33
0521055689	FRAME WITH BUCKET	.....	34
0531050244	PROTECTOR DISC	.....	35
0503060181	WHEEL AND TIRE	.....	36



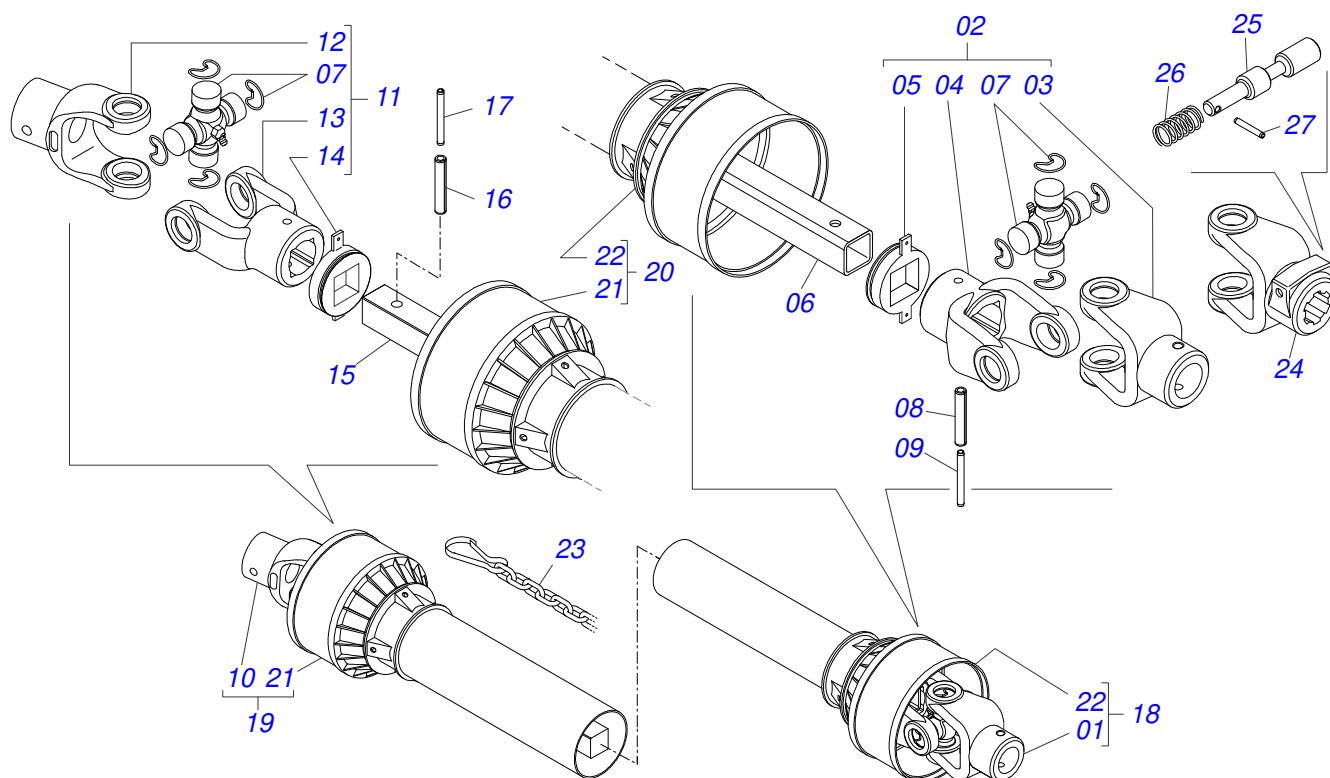
Item	Code	Description	See page	QT
01	0511041065	ASSY FRAME	2	01
01.	0511042722	ASSY FRAME WITH DAMPER	11	01
01..	0511043779	ASSY FRAME WITH CONTROLLER	30	01
01...	0521045218	ASSY FRAME	13	01
02	0503060181	WHEEL AND TIRE	36	04
03	0503011468	WEEL		04



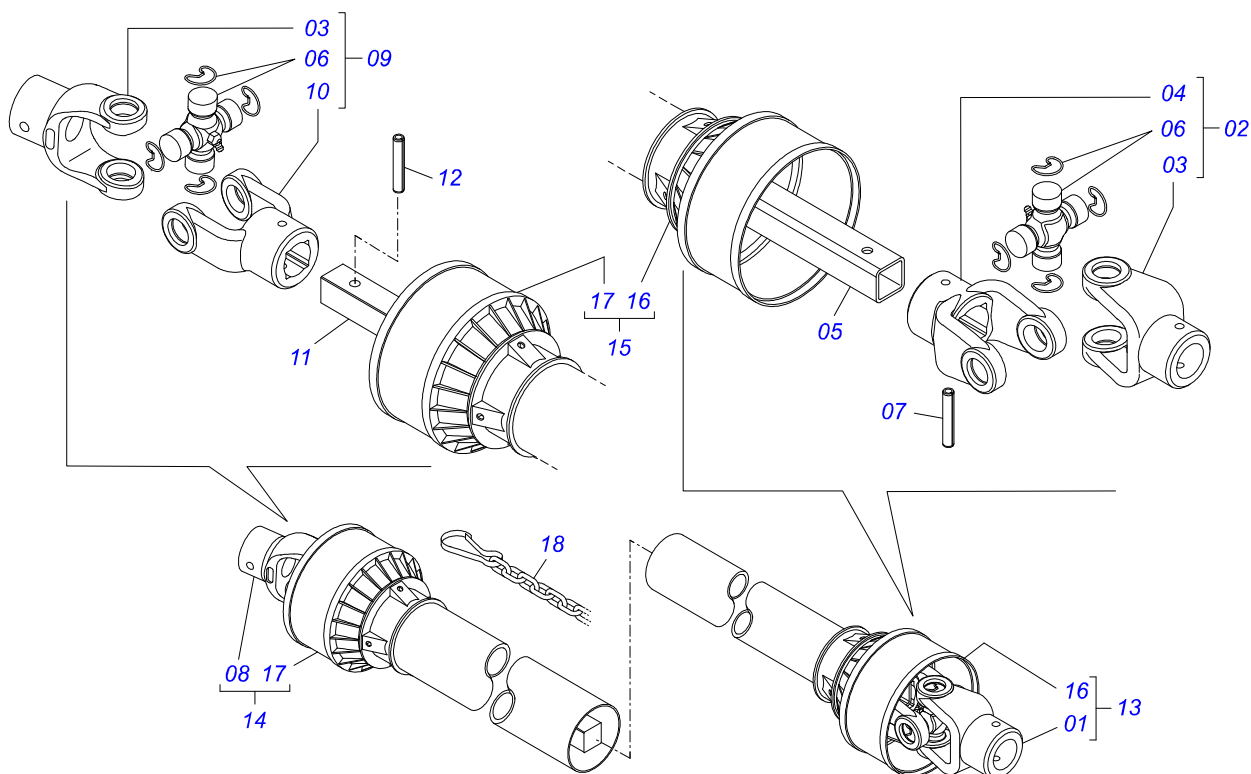
Item	Code	Description	See page	QT
01	0503010899	5/8 UNC X 2.1/4 BOLT		06
02	0503010027	5/8 SPRING WASHER		06
03	0503010013	5/8 NUT		06
04	0503012941	C-148 BELT		01
05	0503010751	C3/8" X 1.1/4" HEX BOLT G.5		02
06	0503010025	3/8 SPRING WASHER		27
07	0503010026	3/8" NUT		20
08	0503010237	3/8" X 1" BOLT		11
09	0561014861	REGULATOR		01
10	0511013015	SLEEVE		01
11	0503010561	SPRING PIN		01
12	0503010257	1/8" X 1" COTTERPIN		01
13	0503030878	LEVER CRANK		01
14	0531014340	REAR PROTECTION		01
15	0501010984	10,50 X 27 X 3,00 FLAT WASHER		31
16	0503013003	50-1 CHAIN X 79 LINK + REDUCTION + MENDING		01
17	0511063408	REAR COVER PROTECTION		01
18	0501017574	0.3" X 2.7" AXLE		02
19	0503010140	1/8" X 3/4" COTTERPIN		02
20	0503010386	CABLE		01
21	0501048241	DRIVE SHAFT	3	01
22	0501048200	DRIVE SHAFT	4	01
23	0503011268	3/8" X 2-1/2" BOLT		02
24	0503010765	3/8" X 3" BOLT		01
25	0503030198	0.6" X 2.4" X 0.1" EXTENSION SPRING		01
26	0501047881	AXIS JOINT ASSY	5	01
27	0503062157	DRAWBAR JACK	6	01
28	0521010549	COUPLING SHAFT		01
29	0503030168	HITCH PIN CLIP		01
30	0511041064	FIXING STAND ASSY	7	01
31	0503031427	ADHESIVE LABEL		01



Item	Code	Description	See page	QT
32	0503060821	SET LABEL ADHESIVE		01
33	0503031859	ADHESIVE LABEL DANGER		02
34	0503031428	READ MANUAL DECAL		01
35	0503031827	LUBRICATE AND RETIGHTEN DAILY DECAL		01
36	0503031087	ADHESIVE LABEL		01
37	0503031818	ADHESIVE LABEL		01
38	0503031809	ADHESIVE LABEL		01
39	0503032425	ADHESIVE LABEL ATTENTION		01
40	0503032949	ADHESIVE LABEL		01
41	0503034003	SERIAL NUMBER TAG 61 X 118		01
42	0503010001	3.2 X 5.5 RIVET		04
43	0503030751	REGULATOR PLATE		01
44	0503012209	RIVET POP		04
45	0521011107	CRANK BODY		01
46	0501050829	CHAIN TENSIONER	9	01
47	0501012140	FLAT WASHER		12
48	0503013150	1300 X 3/8 CHAIN		01
49	0581011220	COUPLING SHAFT		01
50	0503010131	3/16" X 1-1/2" COTTERPIN		01
51	0581017494	TOP PROTECTION RECAMBIO		01
52	0503031427	ADHESIVE LABEL		01
53	0521068818	BEARING PROTECTION		01
54	0503010256	3/8" X 3/4" BOLT		14
55	0521068792	COVER PROTECTION		01
56	0531059016	SMALL TRANSMISSION SHAFT PROTECTION		01
56A	0581017461	SMALL AXLE PROTECTION COVER		01
56B	0503019729	THREAD SCREW INTERNAL		04
57	0531059015	TRANSMISSION SHAFT PROTECTION		01
57A	0581017463	SMALL AXLE PROTECTION COVER		01
57B	0503019729	THREAD SCREW INTERNAL		04
58	0521068801	SUPPORT BELT PROTECTION		01
59	0581017468	PROTECTION BODY		01
60	0581017452	FRONT PROTECTION BELT		01
61	0503010849	3/8" X 1-1/2" BOLT		06
62	0581017488	LOWER PROTECTION BOARD CARDAN		01
63	0581017446	CHAIN CAP		01
64	0581017496	PRISONER 3/8 UNC X 5/16 UNC X 175		03
65	0503010386	CABLE		03
66	0591016128	SIDE PROTECTION BELT		01
67	0581017453	FLANGE PROTECTION COVER		01
68	0581017462	PROTECTION FRONT COVER		01
69	0581017464	PROTECTION FRONT COVER		01
70	0581017469	PROTECTION SIDE		01
71	0521068794	BELT INTERNAL PROTECTION		01
72	0581015152	COVER PROTECTION		01
73	0503010240	BOLT		02
74	0503010179	LOCK WASHER 5/16 ZN 1K01528		02
75	0531050102	CATALOGUE/MANUAL CANISTER ASSY	10	01
76	0503019416	RIVET SCREW THREAD INTERNAL		09
77	0503019413	THREAD SCREW INTERNAL		04
78	0503035156	LABEL ADHESIVE		01
79	0501054097	BUCKET	14	01
80	0503036144	MAXIMUM SPEED ADHESIVE LABEL		01

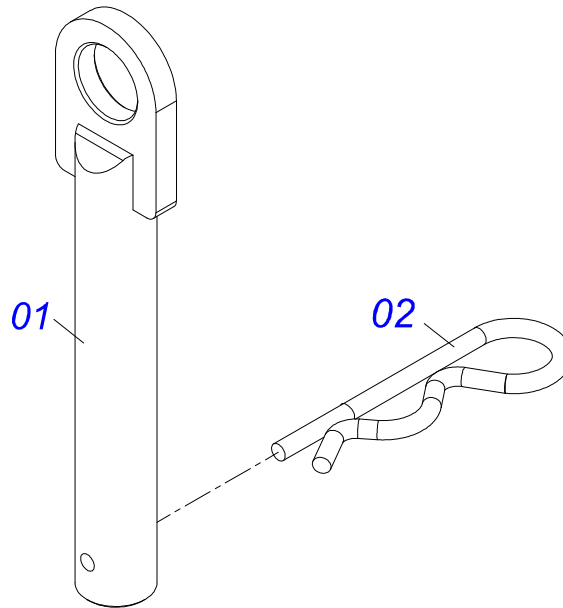


Item	Code	Description	See page	QT
01	0501052176	SLEEVE UNIVERSAL JOINT		01
02	0501050265	UNIVERSAL JOINT		01
03	0501050333	1-40 TERMINAL WITH HITCH		01
04	0502010565	2-40 TERMINAL WITH SH 1.5"/1.5"		01
05	0503012069	ADAPTER FOR BUSHING PROTECT		01
06	0521013800	16" X 1.4" SQUARE SLEEVE		01
07	0503010836	CARDAN CROSSPIECE		02
08	0503011069	0.4" X 2.8" SPRING PIN		01
09	0503010510	0.2" X 2.6" SPRING PIN		01
10	0501052177	AXLE UNIVERSAL JOINT		01
11	0501052178	UNIVERSAL JOINT		01
12	0502011611	9-40 TERMINAL		01
13	0502010566	3-40 TERMINAL WITH SH 1.2"/1.2"		01
14	0503012070	ADAPTER FOR AXLE PROTECTION		01
15	0521013801	1.2" X 15.7" SQUARE SHAFT		01
16	0503010361	SPRING PIN		01
17	0503010756	0.2" X 2.4" SPRING PIN		01
18	0501052179	PROT/SLEEVE UNIVERSAL JOINT		01
19	0501052180	PROT/AXLE UNIVERSAL JOINT		01
20	0503012277	PROTECTION ASSY		01
21	0503012279	PROTECTION FOR UNIV JOINT AND AXLE		01
22	0503012278	PROTECTION FOR UNIV JOINT SLEEVE		01
23	0503012023	CHAIN FOR PROTECTION		02
24	0502010563	1-40 STRIATED 1.3/8" TERMINAL		01
25	0521010638	13,70 X 78 HITCH PIN		01
26	0503030518	0.5"X1.0"X 0.1" COMPRESSION SPRING		01
27	0503010838	0.1" X 0.8" SPRING PIN		01

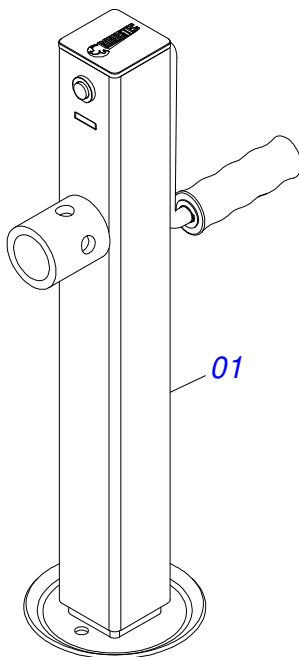


Item	Code	Description	See page	QT
01	0501052171	SLEEVE UNIVERSAL JOINT		01
02	0501051718	UNIVERSAL JOINT		01
03	0502010558	4-20 TERMINAL WITH ROLES		02
04	0502011426	2-20 TERMINAL		01
05	0521013799	0.9" X 47" SQUARE SLEEVE		01
06	0503010835	CARDAN CROSSPIECE		02
07	0503010839	03"X 0.6" SPRING PIN		01
08	0501052172	AXLE UNIVERSAL JOINT		01
09	0501051720	UNIVERSAL JOINT		01
10	0502011427	3-20 TERMINAL		01
11	0521013796	0.9" X 47" SQUARE SHAFT		01
12	0503010301	0.3" X 1.8" SPRING PIN		01
13	0501052170	PROT/SLEEVE UNIVERSAL JOINT		01
14	0501052173	PROT/AXLE UNIVERSAL JOINT		01
15	0503012274	PROTECTION ASSY		01
16	0503012275	PROTECTION FOR UNIV JOINT SLEEVE		01
17	0503012276	PROTECTION FOR UNIV JOINT AND AXLE		01
18	0503012023	CHAIN FOR PROTECTION		02

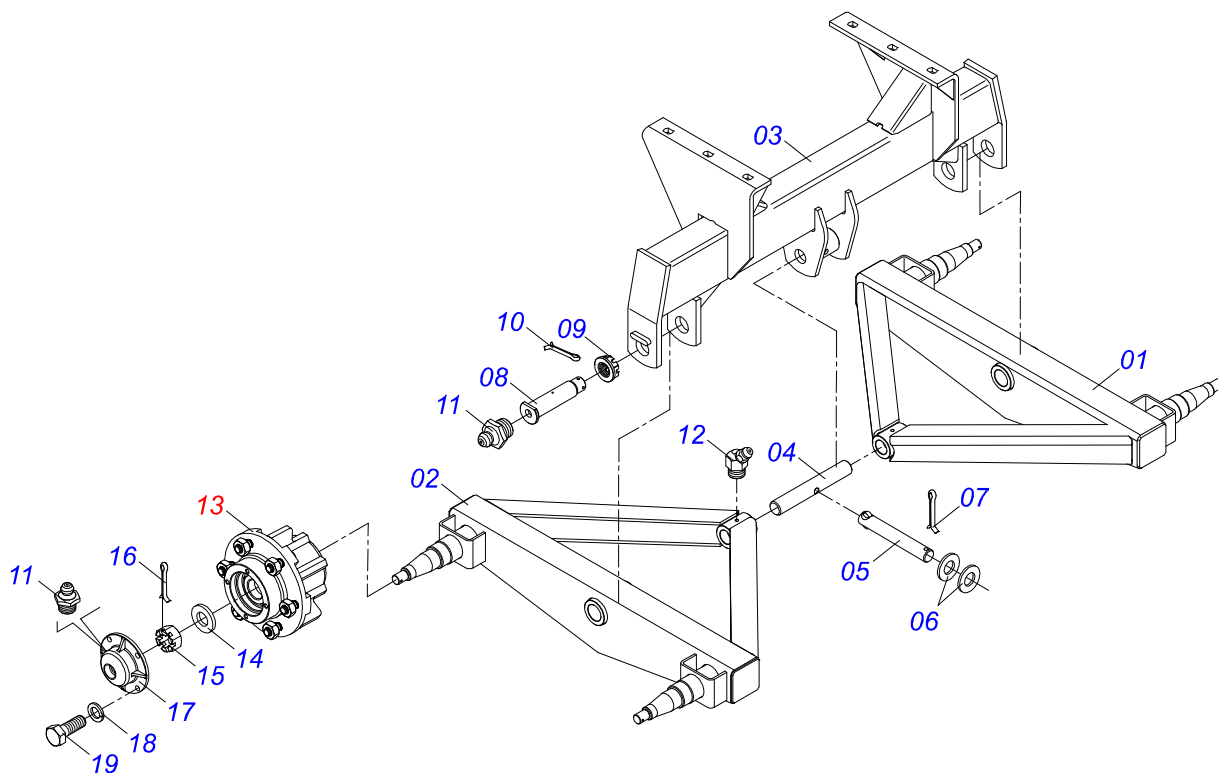




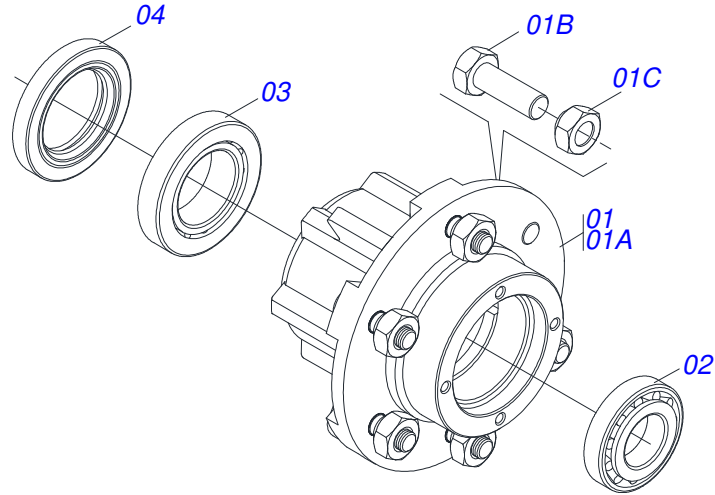
Item	Code	Description	See page	QT
01	0501068989	COUPLING SHAFT		01
03	0503031035	HITCH PIN CLIP		01



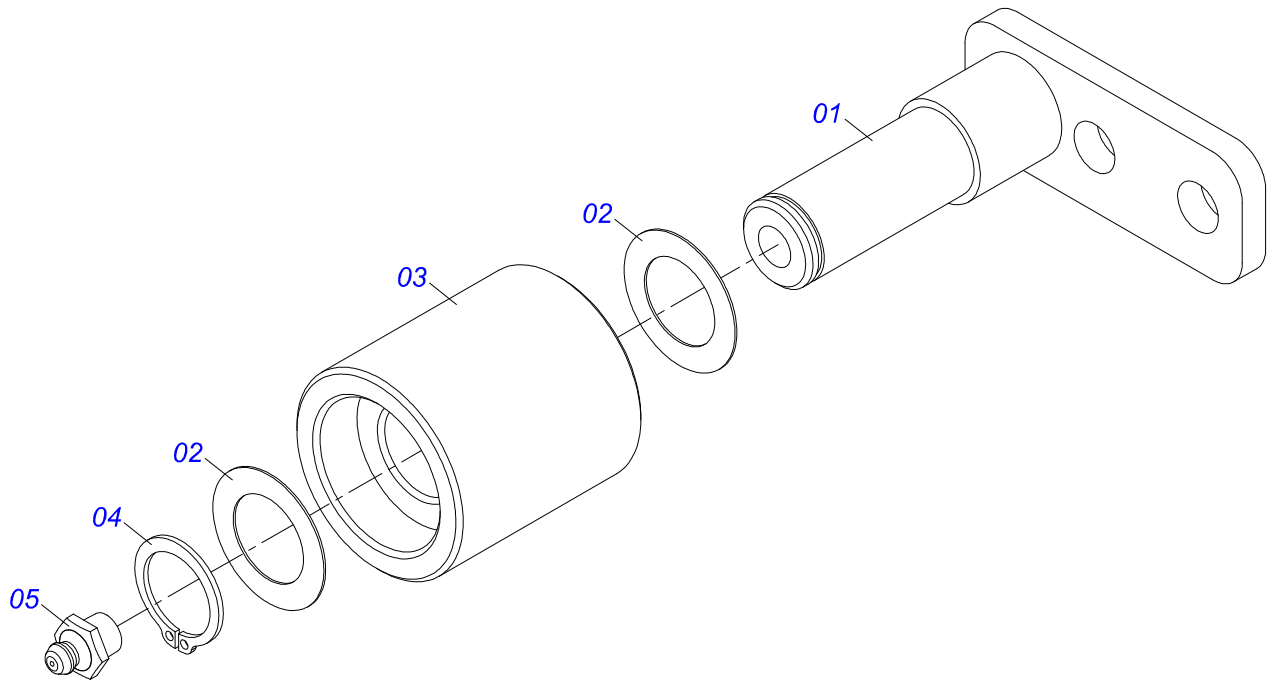
Item	Code	Description	See page	QT
01	0503062157	DRAWBAR JACK	6	01



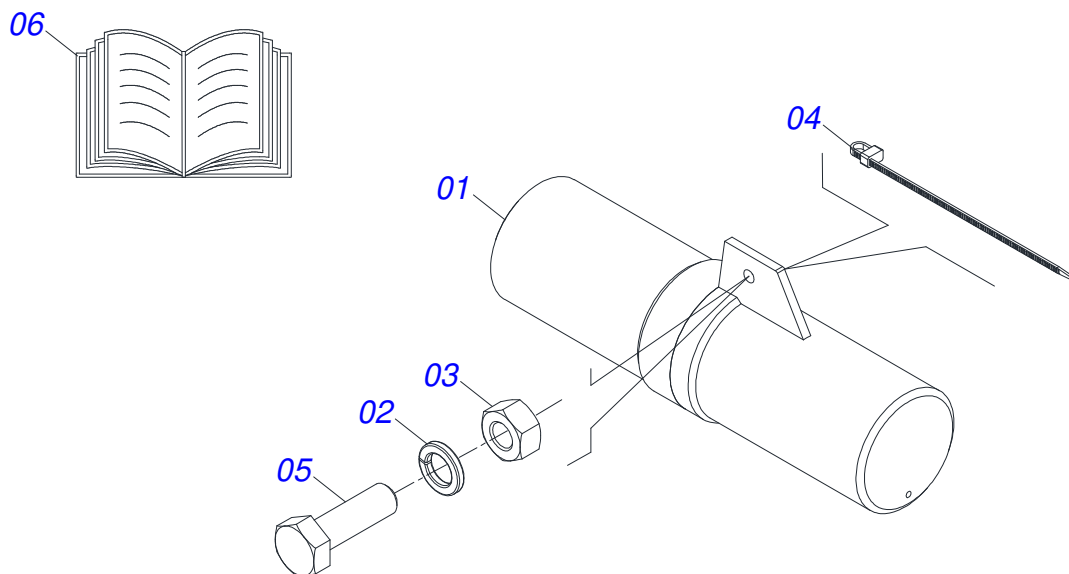
Item	Code	Description	See page	QT
01	0501069577	RIGHT ROCKER ARM		01
02	0501069578	LEFT BELL CRANCK		01
03	0511063855	ROCKER ARM SUPPORT FIXATION		01
04	0521012427	1.5" X 11.4" COUPLING SHAFT		01
05	0521010553	0.5" X 3" COUPLING SHAFT		01
06	0511017302	FLAT WASHER 13,50 X 32,50 X 3,0 ZN		02
07	0503010257	1/8" X 1" COTTERPIN		01
08	0521012431	1-1/2" 7.6 PIVOT SHAFT		02
09	0501011301	1.1/2 UNC 6FPP 2.5/16 NUT		02
10	0503010010	1/4" X 2.1/2" COTTERPIN		02
11	0503010002	1800 GREASE FITTING		06
12	0503010003	1845 GREASE FITTING		02
13	0501051142	CARRYING WHEEL HUB	8	04
14	0501016545	FLAT WASHER		04
15	0503030009	1" CASTLE NUT		04
16	0503010131	3/16" X 1-1/2" COTTERPIN		04
17	0502020591	PROTECCION COVER		04
18	0503011444	SPRING WASHER		16
19	0503010358	5/16" X 5/8" BOLT		16



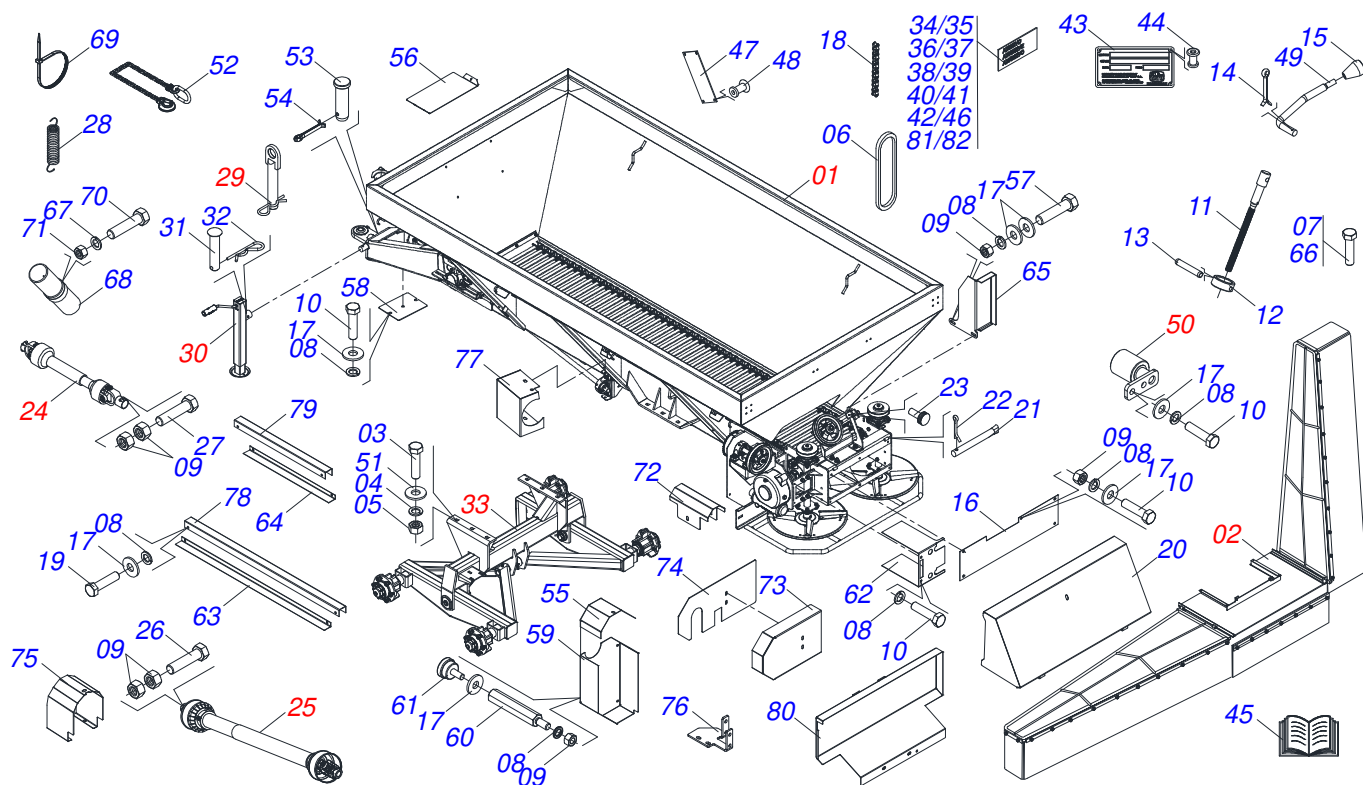
Item	Code	Description	See page	QT
01	0501110728	WHEEL HUB		01
01A	0502011121	CARRYING WHEEL HUB		01
01B	0501010127	9/16" X 1-7/8" LUG BOLT		06
01C	0503010035	9/16" CONIC NUT		06
02	0503010037	30207 ROLLER BEARING		01
03	0503010006	32210 ROLLER BEARING		01
04	0503012928	SEAL		01



Item	Code	Description	See page	QT
01	0501067692	BELT TENSIONER BODY		01
02	0511015098	FLAT WASHER		02
03	0511017041	TENSIONER ROLD		01
04	0503010302	501019 SEAL RING		01
05	0503010002	1800 GREASE FITTING		01



Item	Code	Description	See page	QT
01	0503060100	INSTRUCTIONS MANUAL CANISTER		01
02	0503010179	LOCK WASHER 5/16 ZN 1K01528		01
03	0503010337	5/16" NUT		01
04	0503010267	NYLON CLAMP		01
05	0503010363	BOLT 5/16 UNC X 1 C S G.2 ZN		01
06	0501036432	CAT BAG / MANUAL		01



Item	Code	Description	See page	QT
01	0501054097	BUCKET	14	01
02	0531052375	DAMPER	12	01
03	0503010899	5/8 UNC X 2.1/4 BOLT		06
04	0503010027	5/8 SPRING WASHER		06
05	0503010013	5/8 NUT		06
06	0503012941	C-148 BELT		01
07	0503010751	C3/8" X 1.1/4" HEX BOLT G.5		02
08	0503010025	3/8 SPRING WASHER		29
09	0503010026	3/8" NUT		22
10	0503010237	3/8" X 1" BOLT		11
11	0561014861	REGULATOR		01
12	0511013015	SLEEVE		01
13	0503010561	SPRING PIN		01
14	0503010257	1/8" X 1" COTTERPIN		01
15	0503030878	LEVER CRANK		01
16	0531014340	REAR PROTECTION		01
17	0501010984	10,50 X 27 X 3,00 FLAT WASHER		33
18	0503013003	50-1 CHAIN X 79 LINK + REDUCTION + MENDING		01
19	0503010256	3/8" X 3/4" BOLT		16
20	0511063408	REAR COVER PROTECTION		01
21	0501017574	0.3" X 2.7" AXLE		02
22	0503010140	1/8" X 3/4" COTTERPIN		02
23	0503010386	CABLE		01
24	0501048241	DRIVE SHAFT	3	01
25	0501048200	DRIVE SHAFT	4	01
26	0503011268	3/8" X 2-1/2" BOLT		02
27	0503010765	3/8" X 3" BOLT		01
28	0503030198	0.6" X 2.4" X 0.1" EXTENSION SPRING		01
29	0501047881	AXIS JOINT ASSY	5	01
30	0503062157	DRAWBAR JACK	6	01
31	0521010549	COUPLING SHAFT		01

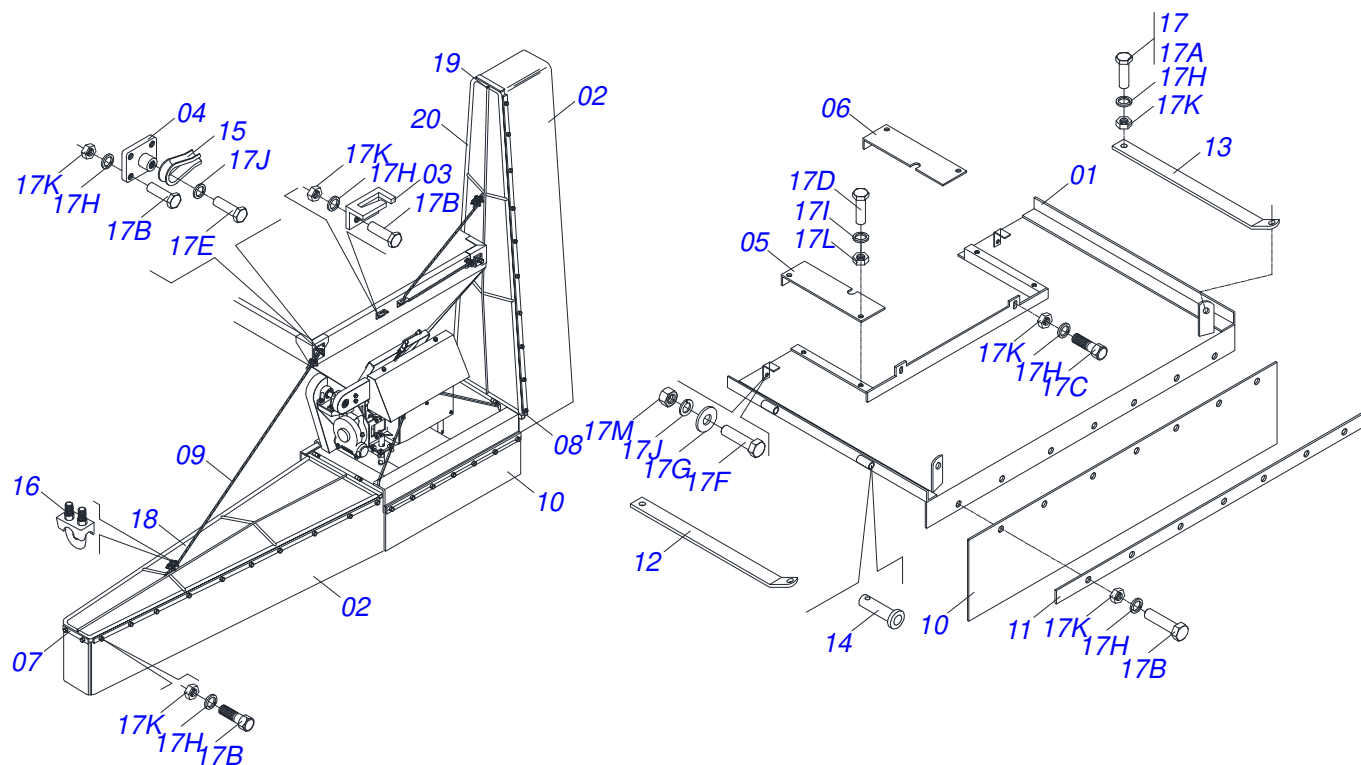


## ASSY FRAME WITH DAMPER

0511042722

Item	Code	Description	See page	QT
32	0503030168	HITCH PIN CLIP		01
33	0511041064	FIXING STAND ASSY	7	01
34	0503060821	SET LABEL ADHESIVE		01
35	0503031859	ADHESIVE LABEL DANGER		02
36	0503031428	READ MANUAL DECAL		01
37	0503031827	LUBRICATE AND RETIGHTEN DAILY DECAL		01
38	0503031087	ADHESIVE LABEL		01
39	0503031751	ADHESIVE LABEL		01
40	0503031818	ADHESIVE LABEL		01
41	0503031809	ADHESIVE LABEL		01
42	0503032425	ADHESIVE LABEL ATTENTION		01
43	0503034003	SERIAL NUMBER TAG 61 X 118		01
44	0503010001	3.2 X 5.5 RIVET		04
45	0501036432	CAT BAG / MANUAL		01
46	0503032949	ADHESIVE LABEL		01
47	0503030751	REGULATOR PLATE		01
48	0503012209	RIVET POP		04
49	0521011107	CRANK BODY		01
50	0501050829	CHAIN TENSIONER	9	01
51	0501012140	FLAT WASHER		12
52	0503013150	1300 X 3/8 CHAIN		01
53	0581011220	COUPLING SHAFT		01
54	0503010131	3/16" X 1-1/2" COTTERPIN		01
55	0581017494	TOP PROTECTION RECAMBIO		01
56	0581017452	FRONT PROTECTION BELT		01
57	0503010849	3/8" X 1-1/2" BOLT		06
58	0581017488	LOWER PROTECTION BOARD CARDAN		01
59	0581017446	CHAIN CAP		01
60	0581017496	PRISONER 3/8 UNC X 5/16 UNC X 175		03
61	0503010386	CABLE		03
62	0581017453	FLANGE PROTECTION COVER		01
63	0581017462	PROTECTION FRONT COVER		01
64	0581017464	PROTECTION FRONT COVER		01
65	0581017469	PROTECTION SIDE		01
66	0503010240	BOLT		02
67	0503010179	LOCK WASHER 5/16 ZN 1K01528		03
68	0503060100	INSTRUCTIONS MANUAL CANISTER		01
69	0503010267	NYLON CLAMP		01
70	0503010363	BOLT 5/16 UNC X 1 C S G.2 ZN		01
71	0503010337	5/16" NUT		01
72	0581015152	COVER PROTECTION		01
73	0581017450	BELT SIDE PROTECTOR		01
74	0521068792	COVER PROTECTION		01
75	0521068802	PROTECTION TOGETHER CARDAN		01
76	0521068801	SUPPORT BELT PROTECTION		01
77	0521068818	BEARING PROTECTION		01
78	0521068799	TRANSMISSION AXLE PROTECTION		01
79	0521068798	MINOR PROTECTION TRANSMISSION AXLE		01
80	0521068794	BELT INTERNAL PROTECTION		01
81	0503031427	ADHESIVE LABEL		01
82	0503036144	MAXIMUM SPEED ADHESIVE LABEL		01

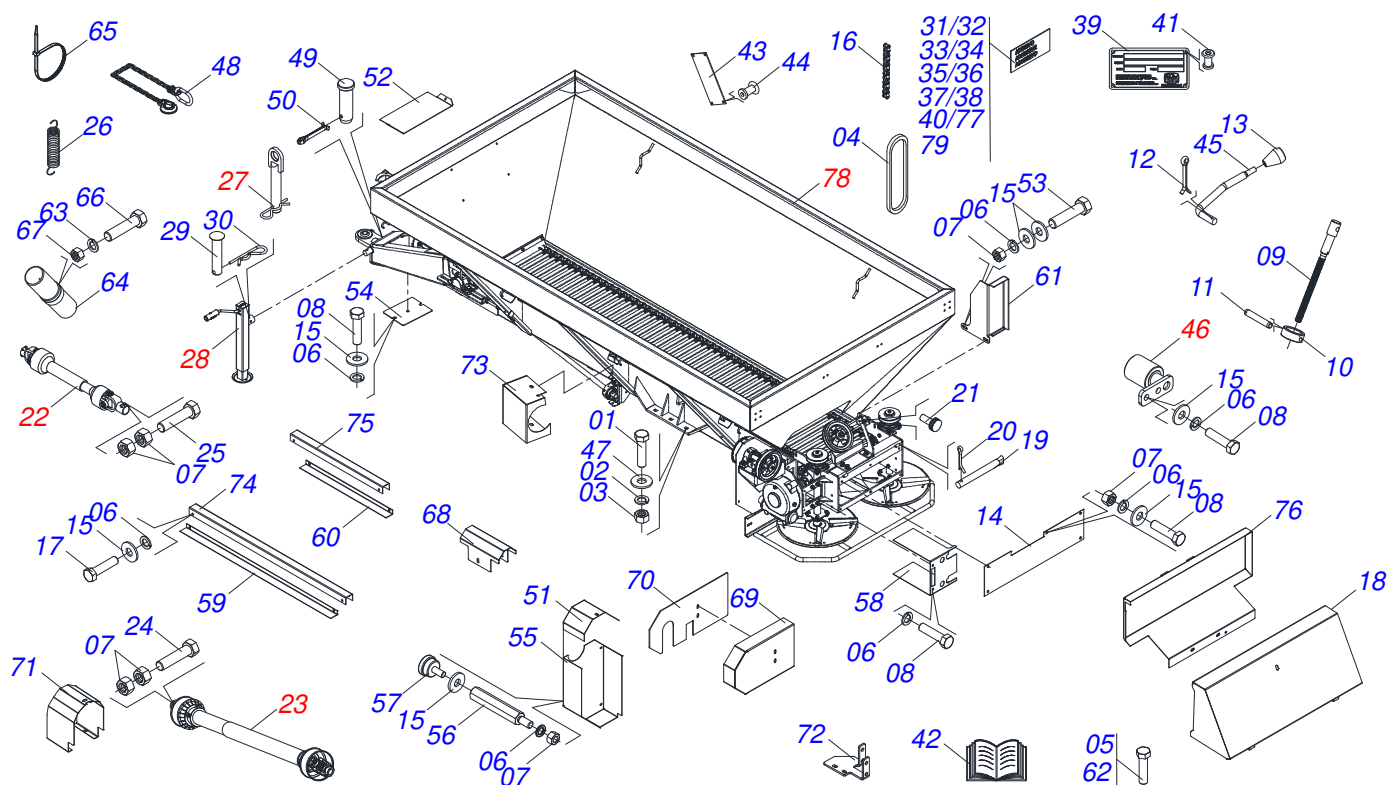




Item	Code	Description	See page	QT
01	0511063700	DAMPER FRAME CENTER	01	01
02	0511013808	BLANKET RUBBER	02	02
03	0501066514	STELL GUIDE CABLO	02	02
04	0501066515	STELL SUPPORT CABLO	02	02
05	0511017104	RIGHT COVER SIDE	01	01
06	0511017105	LEFT COVER SIDE	01	01
07	0511013806	FIXER CANVAS RIBBON	02	02
08	0511013793	FIXER SUPPORT CANVAS	04	04
09	0511013817	STELL CABLE	02	02
10	0511013810	REAR PROTECTION	01	01
11	0511013804	REAR RIBBON FIXER BLANKET	01	01
12	0531017784	RIGHT FRENCH HAND	01	01
13	0531017785	LEFT FRENCH HAND	01	01
14	0511013803	PIN	04	04
15	0503011202	BRACKET	04	04
16	0503010165	5/16" CABLO STEEL STAPLE	08	08
17	0501032349	PACKED PARTS	01	01
17A	0503010256	3/8" X 3/4" BOLT	04	04
17B	0503010237	3/8" X 1" BOLT	65	65
17C	0501010080	3/8" BOLT	02	02
17D	0503011102	BOLT 7/16 UNC X 1.1/4 C S G.5 ZN	04	04
17E	0503010834	1/2 X 1 BOLT	02	02
17F	0501010063	1/2" X 1-1/2" BOLT	02	02
17G	0511017302	FLAT WASHER 13,50 X 32,50 X 3,0 ZN	04	04
17H	0503010025	3/8 SPRING WASHER	71	71
17I	0503010180	7/16" SPRING WASHER	04	04
17J	0503010019	1/2" SPRING WASHER	04	04
17K	0503010026	3/8" NUT	71	71
17L	0503010244	7/16" NUT	04	04
17M	0503010060	1/2 UNC G.5 ZN HEX NUT	02	02
18	0501066442	RIGHT WING	01	01

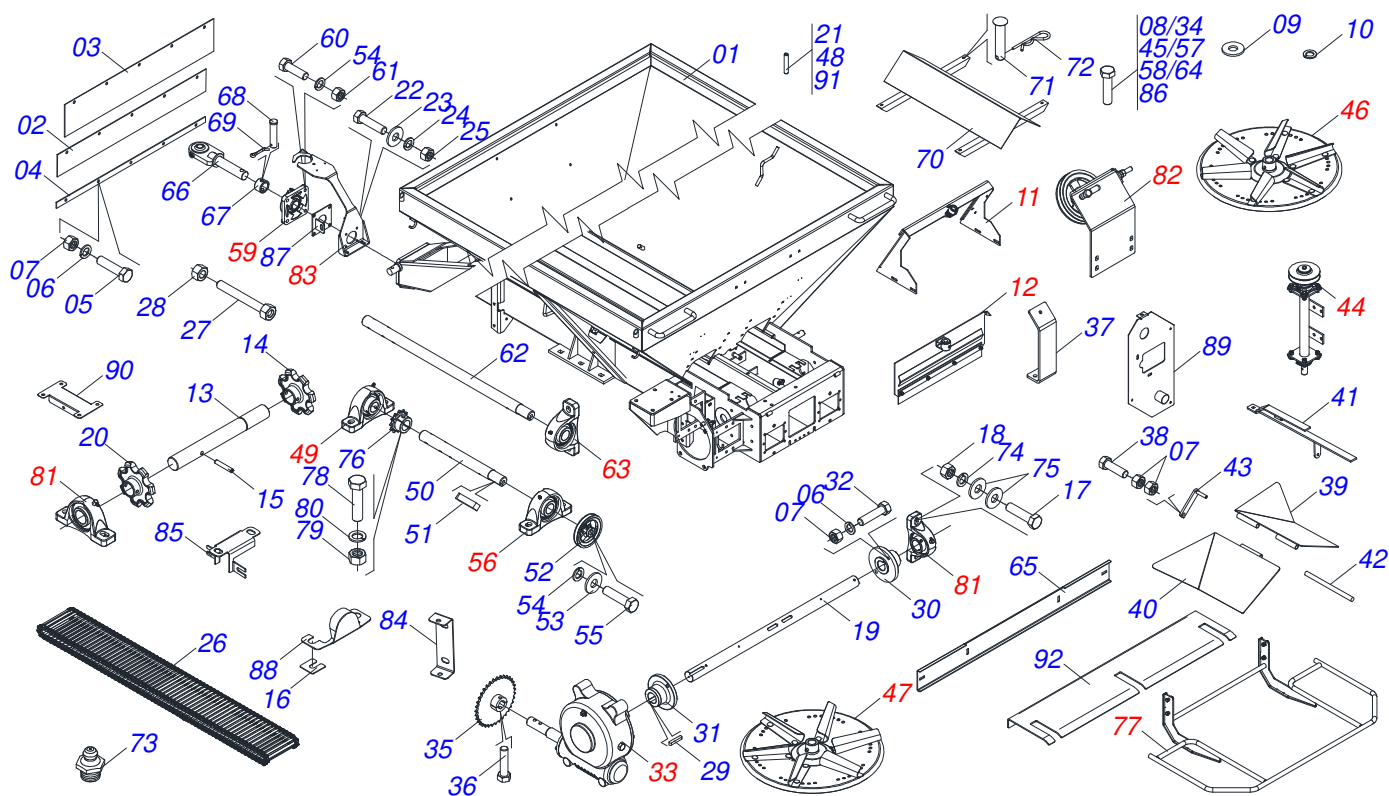


Item	Code	Description	See page	QT
19	0501066443	LEFT WING		01
20	0511013809	SUPPORT PROTECTION		02



Item	Code	Description	See page	QT
01	0503010899	5/8 UNC X 2.1/4 BOLT		06
02	0503010027	5/8 SPRING WASHER		06
03	0503010013	5/8 NUT		06
04	0503012941	C-148 BELT		01
05	0503010751	C3/8" X 1.1/4" HEX BOLT G.5		02
06	0503010025	3/8 SPRING WASHER		29
07	0503010026	3/8" NUT		22
08	0503010237	3/8" X 1" BOLT		11
09	0561014861	REGULATOR		01
10	0511013015	SLEEVE		01
11	0503010561	SPRING PIN		01
12	0503010257	1/8" X 1" COTTERPIN		01
13	0503030878	LEVER CRANK		01
14	0531014340	REAR PROTECTION		01
15	0501010984	10,50 X 27 X 3,00 FLAT WASHER		33
16	0503013003	50-1 CHAIN X 79 LINK + REDUCTION + MENDING		01
17	0503010256	3/8" X 3/4" BOLT		16
18	0511063408	REAR COVER PROTECTION		01
19	0501017574	0.3" X 2.7" AXLE		02
20	0503010140	1/8" X 3/4" COTTERPIN		02
21	0503010386	CABLE		01
22	0501048241	DRIVE SHAFT	3	01
23	0501048200	DRIVE SHAFT	4	01
24	0503011268	3/8" X 2-1/2" BOLT		02
25	0503010765	3/8" X 3" BOLT		01
26	0503030198	0.6" X 2.4" X 0.1" EXTENSION SPRING		01
27	0501047881	AXIS JOINT ASSY	5	01
28	0503062157	DRAWBAR JACK	6	01
29	0521010549	COUPLING SHAFT		01
30	0503030168	HITCH PIN CLIP		01
31	0503060821	SET LABEL ADHESIVE		01

Item	Code	Description	See page	QT
32	0503031859	ADHESIVE LABEL DANGER		02
33	0503031428	READ MANUAL DECAL		01
34	0503031827	LUBRICATE AND RETIGHTEN DAILY DECAL		01
35	0503031087	ADHESIVE LABEL		01
36	0503031818	ADHESIVE LABEL		01
37	0503031809	ADHESIVE LABEL		01
38	0503032425	ADHESIVE LABEL ATTENTION		01
39	0503034003	SERIAL NUMBER TAG 61 X 118		01
40	0503032949	ADHESIVE LABEL		01
41	0503010001	3.2 X 5.5 RIVET		04
42	0501036432	CAT BAG / MANUAL		01
43	0503030751	REGULATOR PLATE		01
44	0503012209	RIVET POP		04
45	0521011107	CRANK BODY		01
46	0501050829	CHAIN TENSIONER	9	01
47	0501012140	FLAT WASHER		12
48	0503013150	1300 X 3/8 CHAIN		01
49	0581011220	COUPLING SHAFT		01
50	0503010131	3/16" X 1-1/2" COTTERPIN		01
51	0581017494	TOP PROTECTION RECAMBIO		01
52	0581017452	FRONT PROTECTION BELT		01
53	0503010849	3/8" X 1-1/2" BOLT		06
54	0581017488	LOWER PROTECTION BOARD CARDAN		01
55	0581017446	CHAIN CAP		01
56	0581017496	PRISONER 3/8 UNC X 5/16 UNC X 175		03
57	0503010386	CABLE		03
58	0581017453	FLANGE PROTECTION COVER		01
59	0581017462	PROTECTION FRONT COVER		01
60	0581017464	PROTECTION FRONT COVER		01
61	0581017469	PROTECTION SIDE		01
62	0503010240	BOLT		02
63	0503010179	LOCK WASHER 5/16 ZN 1K01528		03
64	0503060100	INSTRUCTIONS MANUAL CANISTER		01
65	0503010267	NYLON CLAMP		01
66	0503010363	BOLT 5/16 UNC X 1 C S G.2 ZN		01
67	0503010337	5/16" NUT		01
68	0581015152	COVER PROTECTION		01
69	0581017450	BELT SIDE PROTECTOR		01
70	0521068792	COVER PROTECTION		01
71	0521068802	PROTECTION TOGETHER CARDAN		01
72	0521068801	SUPPORT BELT PROTECTION		01
73	0521068818	BEARING PROTECTION		01
74	0521068799	TRANSMISSION AXLE PROTECTION		01
75	0521068798	MINOR PROTECTION TRANSMISSION AXLE		01
76	0521068794	BELT INTERNAL PROTECTION		01
77	0503035156	LABEL ADHESIVE		01
78	0501054097	BUCKET	14	01
79	0503036144	MAXIMUM SPEED ADHESIVE LABEL		01

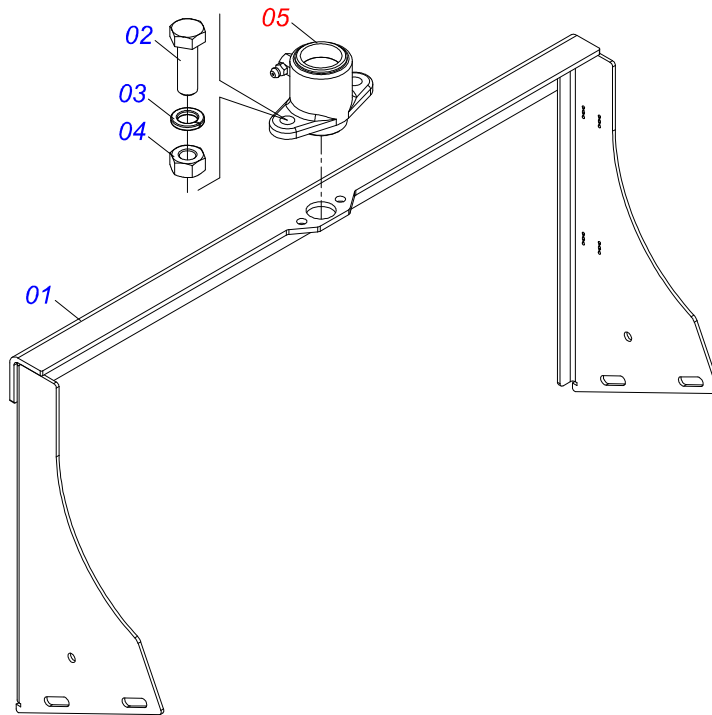


Item	Code	Description	See page	QT
01	0511063856	BUCKET		01
02	0531014336	31.4"X3.1"X 0.1" PROTECTION SMALLER		01
03	0531014337	PROTECTION LARGER		02
04	0531014331	SLUICE VALVE FIXER COVER		01
05	0503010237	3/8" X 1" BOLT		13
06	0503011443	3/8" SPRING WASHER		22
07	0503010026	3/8" NUT		24
08	0503010751	C3/8" X 1.1/4" HEX BOLT G.5		04
09	0501010984	10,50 X 27 X 3,00 FLAT WASHER		10
10	0503011443	3/8" SPRING WASHER		22
11	0511059105	SLUICE VALVE SUPPORT	15	01
12	0511059108	SLUICE VALVE COVER ASSY	17	01
13	0591016382	DRIVEN AXLE		01
14	0591016380	GEAR		01
15	0503010361	SPRING PIN		03
16	0501010794	HIDR CHOCK REGULATOR		04
17	0503010233	5/8" X 2-1/2" BOLT		04
18	0503010013	5/8 NUT		04
19	0591016381	DRIVING AXLE		01
20	0591016380	GEAR		01
21	0503010361	SPRING PIN		03
22	0503010740	BOLT 1/2 UNC X 2 CS G.5 ZN		10
23	0511017302	FLAT WASHER 13,50 X 32,50 X 3,0 ZN		24
24	0503011440	SPRING WASHER		28
25	0503010060	1/2 UNC G.5 ZN HEX NUT		28
26	0511063805	DRIVE THE TRANSPORT TALISCA		01
27	0501067853	ROD STABILIZER		02
28	0503010013	5/8 NUT		02
29	0501010540	KEYWAY SQUARE		02
30	0511016540	MAT COUPLING FLANGE		01
31	0511016541	REDUCTION COUPLING FLANGE		01

Item	Code	Description	See page	QT
32	0503010849	3/8" X 1-1/2" BOLT		03
33	0501047985	REDUCER	18	01
34	0503011167	M16 X 2 X 30 BOLT		04
35	0501069020	35Z GEAR		02
36	0503011268	3/8" X 2-1/2" BOLT		03
37	0511063668	REAR FIXER COVER		01
38	0503010238	BOLT 1/2 UNC X 1.3/4 CS G.2 ZN		04
39	0511063659	RIGHT FLOW DIVIDING		01
40	0511063660	LEFT FLOW DIVIDING		01
41	0531061725	REAR DEFLECTOR SUPPORT		01
42	0531015309	TENSIONER OPEN		01
43	0531061722	DIVIDER OPENING REGULATOR		01
44	0501054013	RIGHT BEARRING SUPPORT DISC	20	02
45	0503010920	1/2 UNC X 1.1/2 C S G.5 ZN BOLT		10
46	0501053870	DISTRIBUTOR RIGHT DISC ASSY	22	01
47	0501053871	DISTRIBUTOR LEFT DISC ASSY	23	01
48	0503010361	SPRING PIN		02
49	0511041213	AGRICULTURAL BEARING	24	02
50	0531014330	DRIVE AXLE		01
51	0501010536	KEYWAY SQUARE		01
52	0502012936	1 C X 219 X 30 PULLEY		01
53	0511014052	FLAT WASHER		01
54	0503011446	SPRING WASHER		05
55	0503010355	7/16" X 1" BOLT		01
56	0511041213	AGRICULTURAL BEARING	24	01
57	0503010920	1/2 UNC X 1.1/2 C S G.5 ZN BOLT		02
58	0503011082	C1/2" X 1.3/4" SCREW		02
59	0501044306	BATH BEARING	25	01
60	0503011135	BOLT		04
61	0503010244	7/16" NUT		04
62	0521012415	2220 TRANSMITTER AXLE		01
63	0511041213	AGRICULTURAL BEARING	24	01
64	0503010905	1/2" X 2-1/4" BOLT		02
65	0531014338	BAMPER		01
66	0521068793	TRACTOR TRACTOR		01
67	0521010681	BUSHING COUPLING BODY		01
68	0521010639	COUPLING SHAFT		01
69	0503010571	1/4" X 1.1/2 COTTERPIN		01
70	0511063853	LARGER DEFLECTOR		01
71	0521017623	0.5" X 1.5" COUPLING SHAFT		04
72	0503030168	HITCH PIN CLIP		04
73	0503011098	1/4" GREASE FITTING		04
74	0503011445	SPRING WASHER		16
75	0501012140	FLAT WASHER		08
76	0501069017	12Z GEAR		01
77	0531050089	FULL DISK PROTECTOR	28	01
78	0503011267	5/8 UNC X 1.1/2 C S G.5 ZN BOLT		02
79	0503010013	5/8 NUT		02
80	0503011445	SPRING WASHER		02
81	0501044308	AGRICULTURAL BEARING ASSY	26	04
82	0501053868	BELT TENSIONER ASSY	27	01
83	0521053161	CARDAN SUPPORT WITHOUT SPRING	29	01
84	0581017504	BEARING PROTECTION SUPPORT		01
85	0581017505	INTERMEDIARY SUPPORT AXLE PROTECTION		01
86	0503010905	1/2" X 2-1/4" BOLT		02
87	0521068825	SUPPORT AXLE PROTECTION		01
88	0521068822	BEARING PROTECTION		03
89	0521068791	TRANSMISSION PROTECTION COVER		01
90	0521068109	FIXER PROTECTION COVER		01

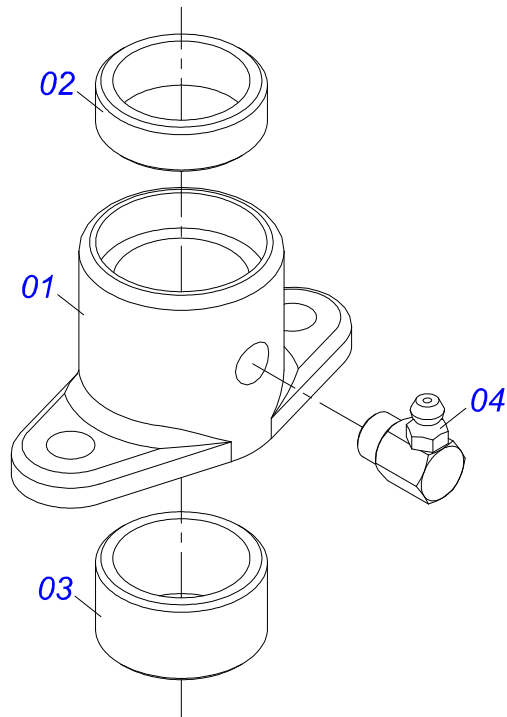


Item	Code	Description	See page	QT
91	0503010756	0.2" X 2.4" SPRING PIN		06
92	0531014324	TOOTH COVER		01

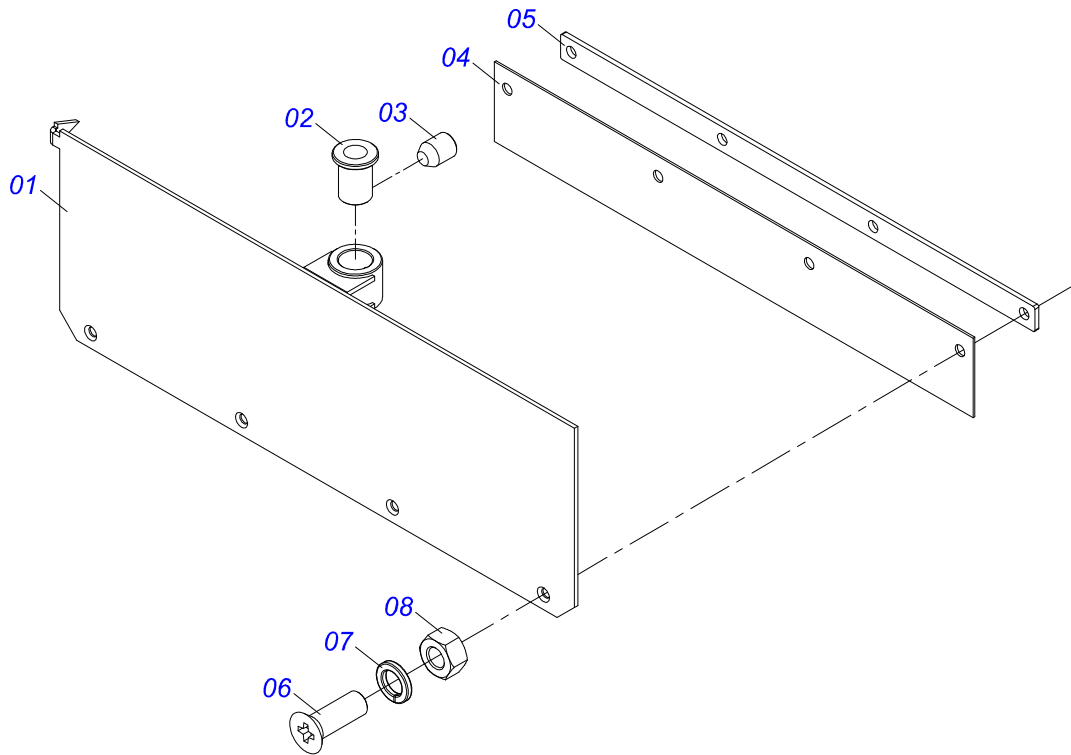


Item	Code	Description	See page	QT
01	0511063410	SLUICE VALVE SUPPORT		01
02	0503010363	BOLT 5/16 UNC X 1 C S G.2 ZN		02
03	0503011444	SPRING WASHER		02
04	0503010337	5/16" NUT		02
05	0511059094	SHAFT BEARING THREADED	16	01

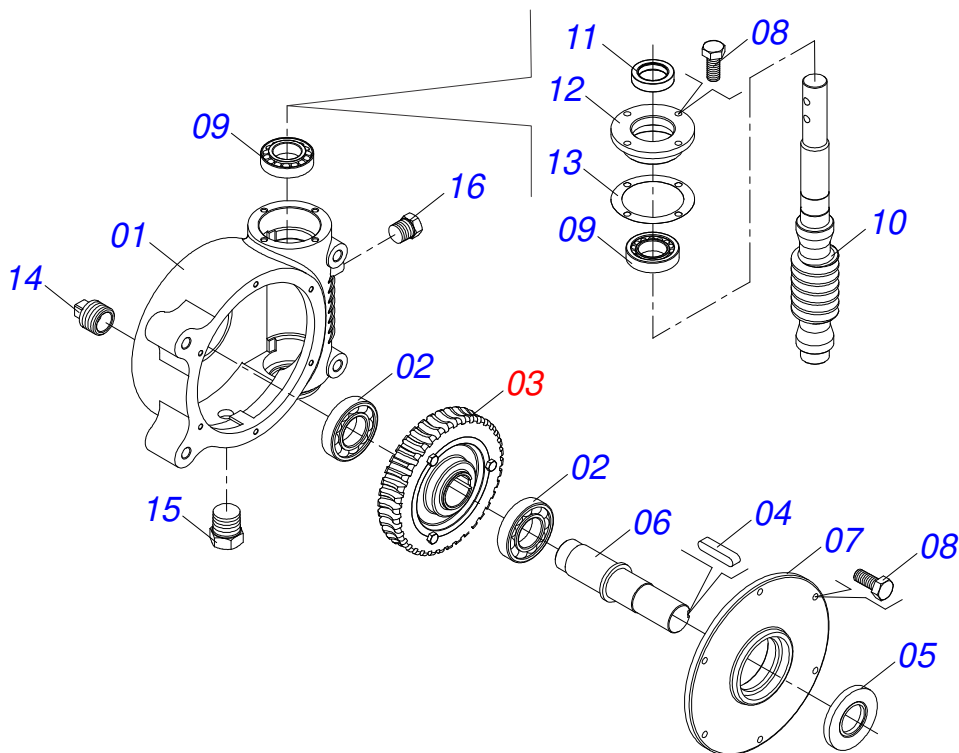




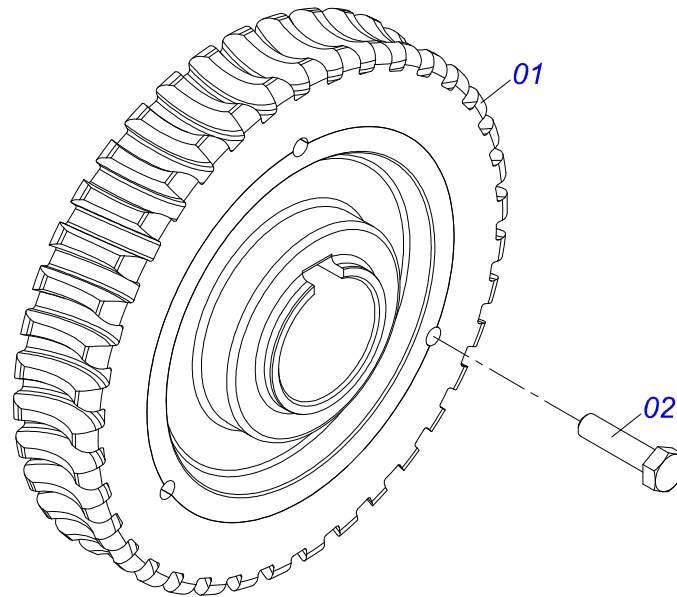
Item	Code	Description	See page	QT
01	0502010581	ROD BEARING		01
02	0521010458	SLEEVE		01
03	0521010457	SLEEVE		01
04	0503010004	1890 GREASE FITTING		01



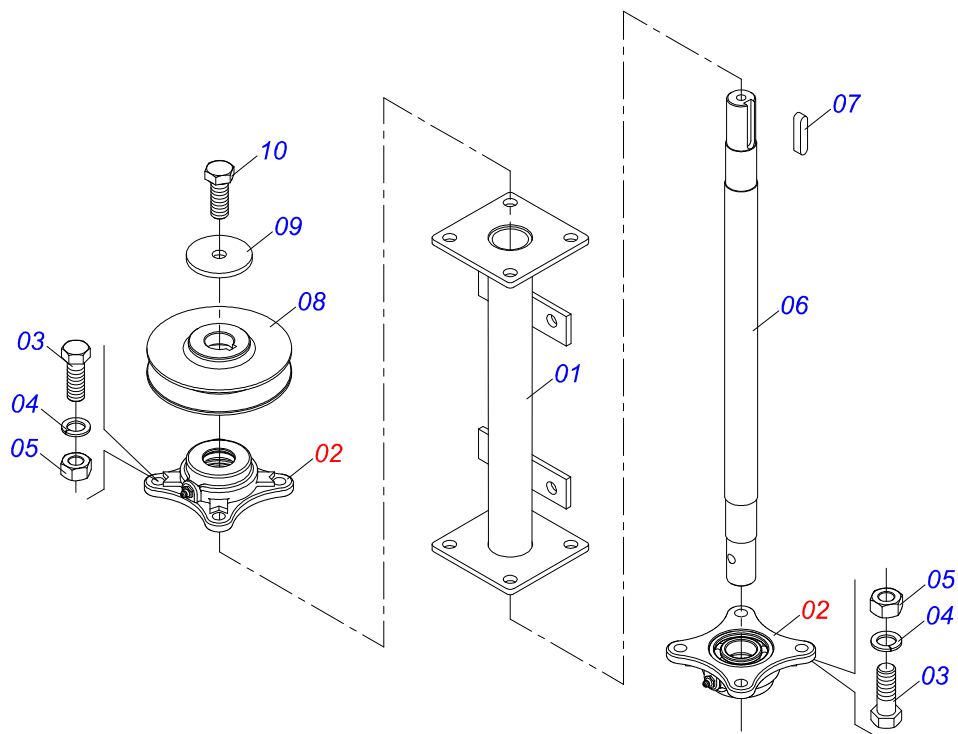
Item	Code	Description	See page	QT
01	0511063413	SLUICE VALVE COVER		01
02	0501019831	ADJUSTING NUT		01
03	0503011148	3/8" X 1/2" BOLT		01
04	0531014336	31.4"X3.1"X 0.1" PROTECTION SMALLER		01
05	0531014331	SLUICE VALVE FIXER COVER		01
06	0503010546	5/16" X 7/8" BOLT		05
07	0503011444	SPRING WASHER		05
08	0503010337	5/16" NUT		05



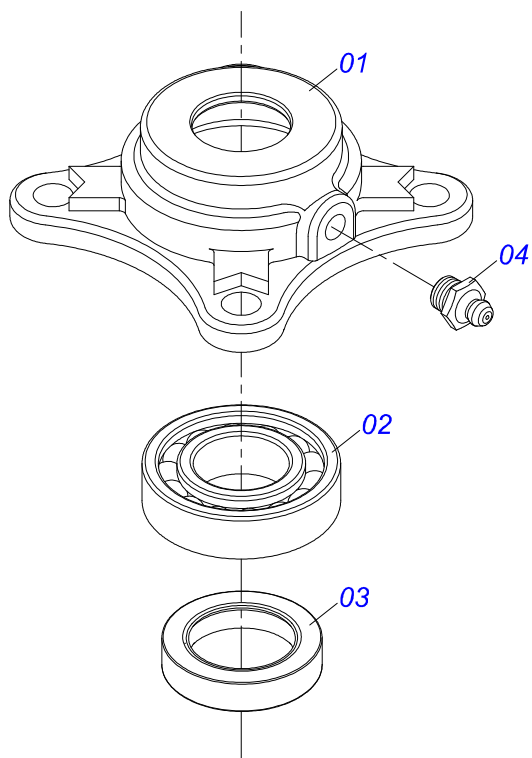
Item	Code	Description	See page	QT
01	0502011456	REDUCTION BOX		01
02	0503011095	6208 BALL BEARING		02
03	0501051774	38Z CROWN	19	01
04	0503011304	1/2" X 2.4" KEYWAY SQUARE		01
05	0503010818	02675-BRG SEAL		01
06	0521010996	AXLE		01
07	0502020556	LARGER COVER		01
08	0503010240	BOLT		10
09	0503010016	BEARING LM		02
10	0521010997	SCREW THEAD		01
11	0503011171	00912-BRG SEAL		01
12	0502011457	SMALLER COVER		01
13	0503030981	102 X 75,5 X 0,10 JOINT		01
14	0521011023	PLUG		01
15	0513010009	LEVEL DISPLAY		01
16	0503010856	OIL PLUG		01



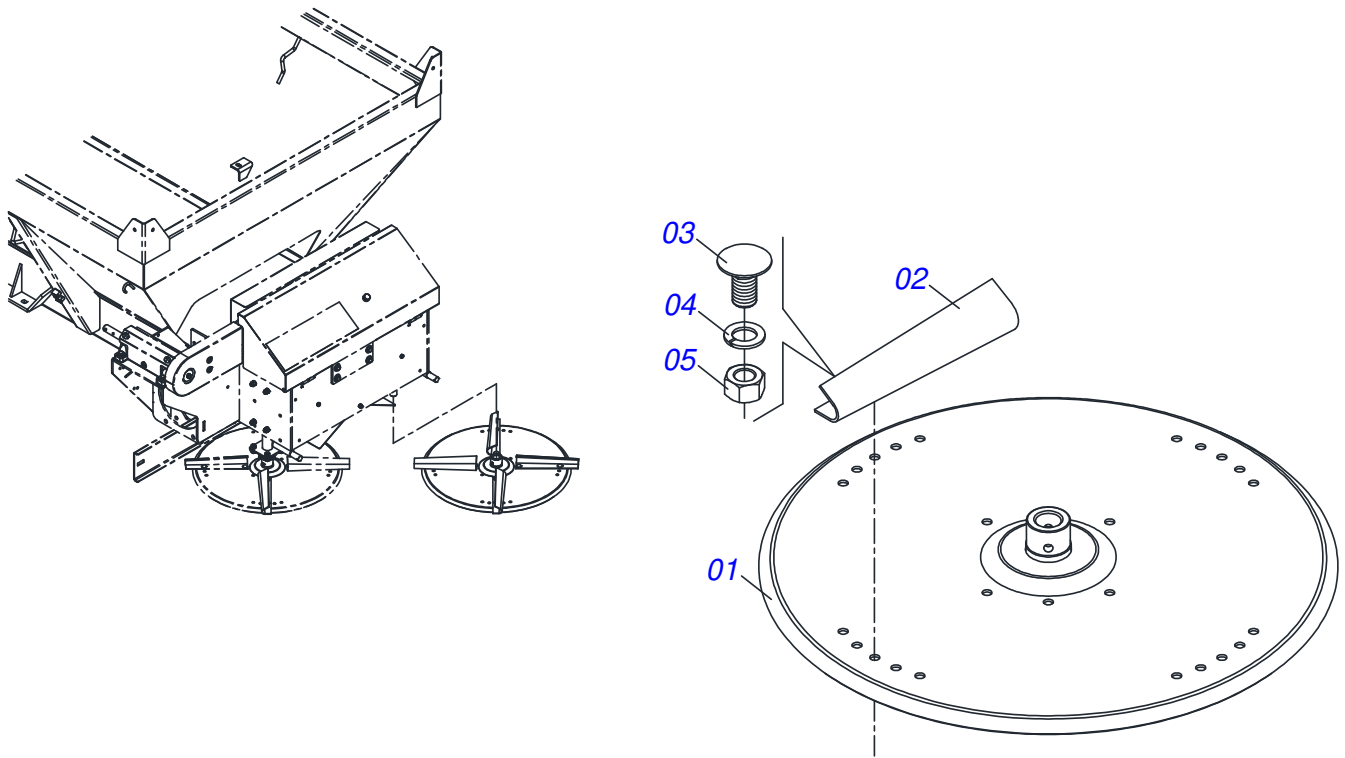
Item	Code	Description	See page	QT
01	0501110280	38Z CONICAL		01
02	0503010365	BOLT 5/16 UNC X 1.1/4 C S G.5 ZN		03



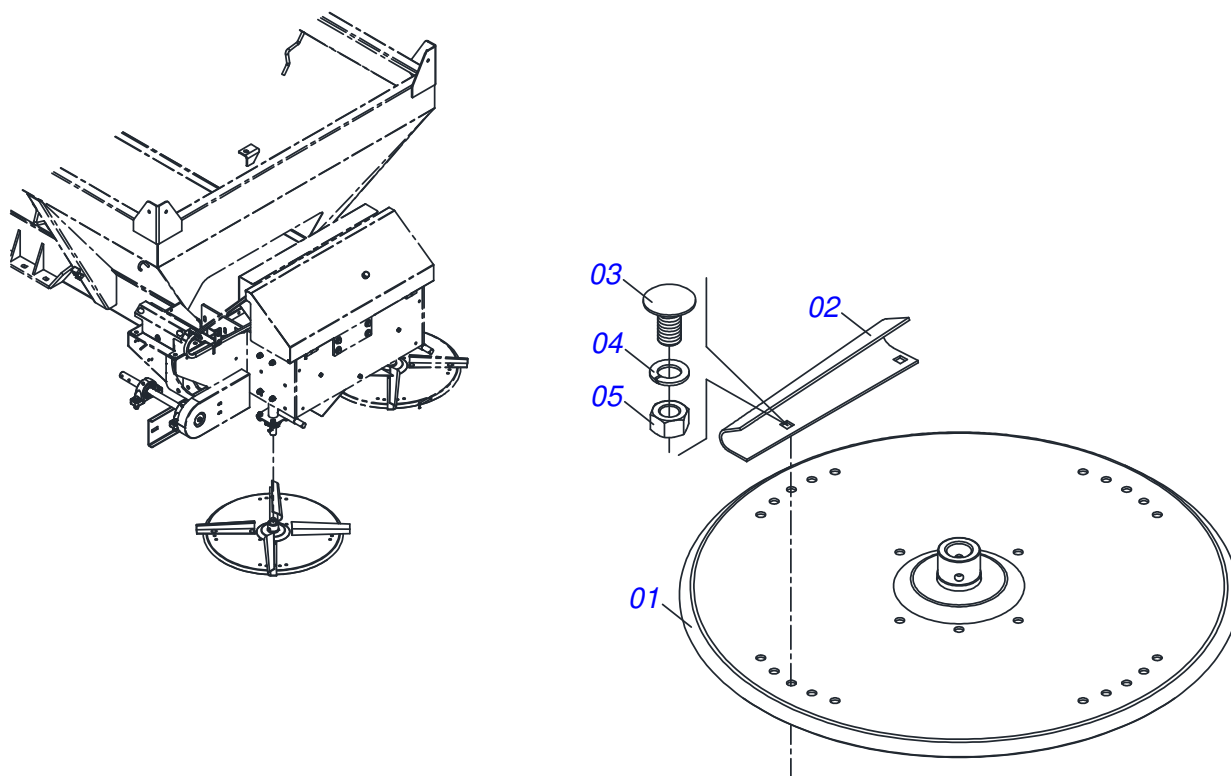
Item	Code	Description	See page	QT
01	0511063742	DISTRIBUTOR RIGHT/LEFT SUPPORT		01
02	0501048000	AGRICULTURAL BEARING	21	02
03	0503011135	BOLT		08
04	0503011446	SPRING WASHER		08
05	0503010244	7/16" NUT		08
06	0511016489	DISTRIBUTOR AXLE CONDUCTOR DISC		01
07	0501010536	KEYWAY SQUARE		01
08	0502011361	REEL 1C 5.5" X 1.1" PULLEY		01
09	0511014052	FLAT WASHER		01
10	0503010237	3/8" X 1" BOLT		01



Item	Code	Description	See page	QT
01	0502011442	AGRICULTURAL HOUSING BEARING		01
02	0503010276	6206 BALL BEARING		01
03	0503011865	SEAL		01
04	0503010002	1800 GREASE FITTING		01

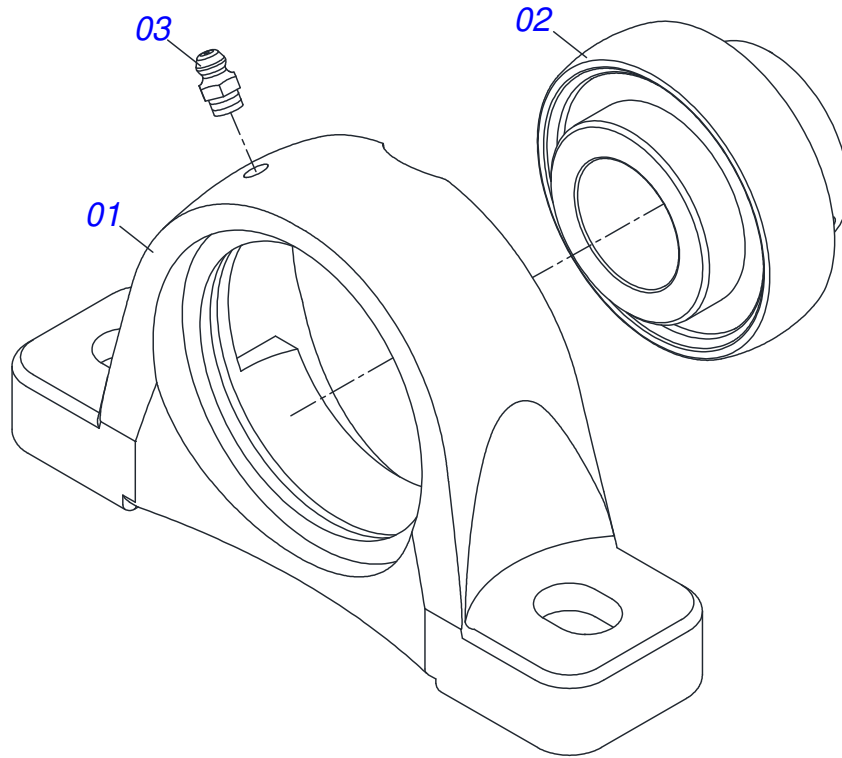


Item	Code	Description	See page	QT
01	0511063411	DISTRIBUTOR DISC		01
02	0531014343	RH FLIP		04
03	0503013029	3/8" X 3/4" BOLT		08
04	0503011443	3/8" SPRING WASHER		08
05	0503010026	3/8" NUT		08

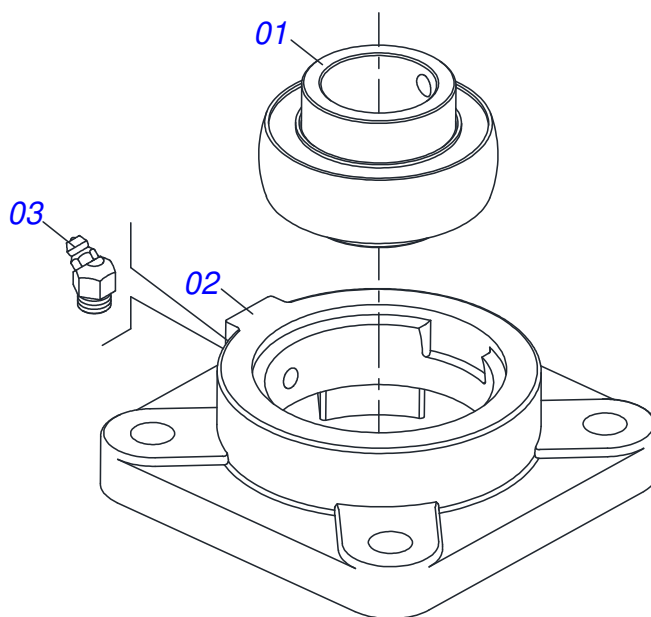


Item	Code	Description	See page	QT
01	0511063411	DISTRIBUTOR DISC		01
02	0531014344	LH FLIP		04
03	0503013029	3/8" X 3/4" BOLT		08
04	0503011443	3/8" SPRING WASHER		08
05	0503010026	3/8" NUT		08

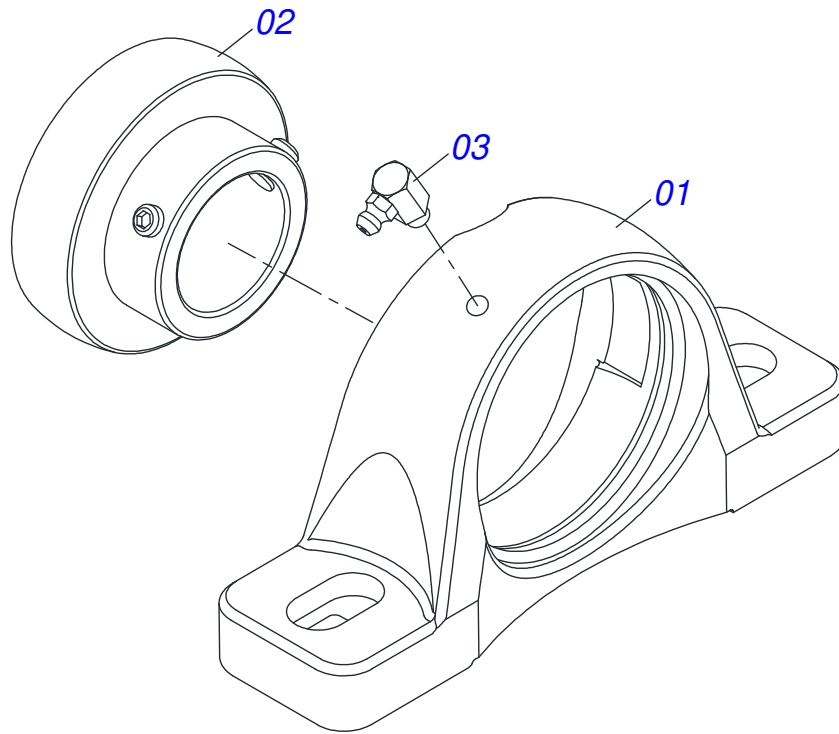




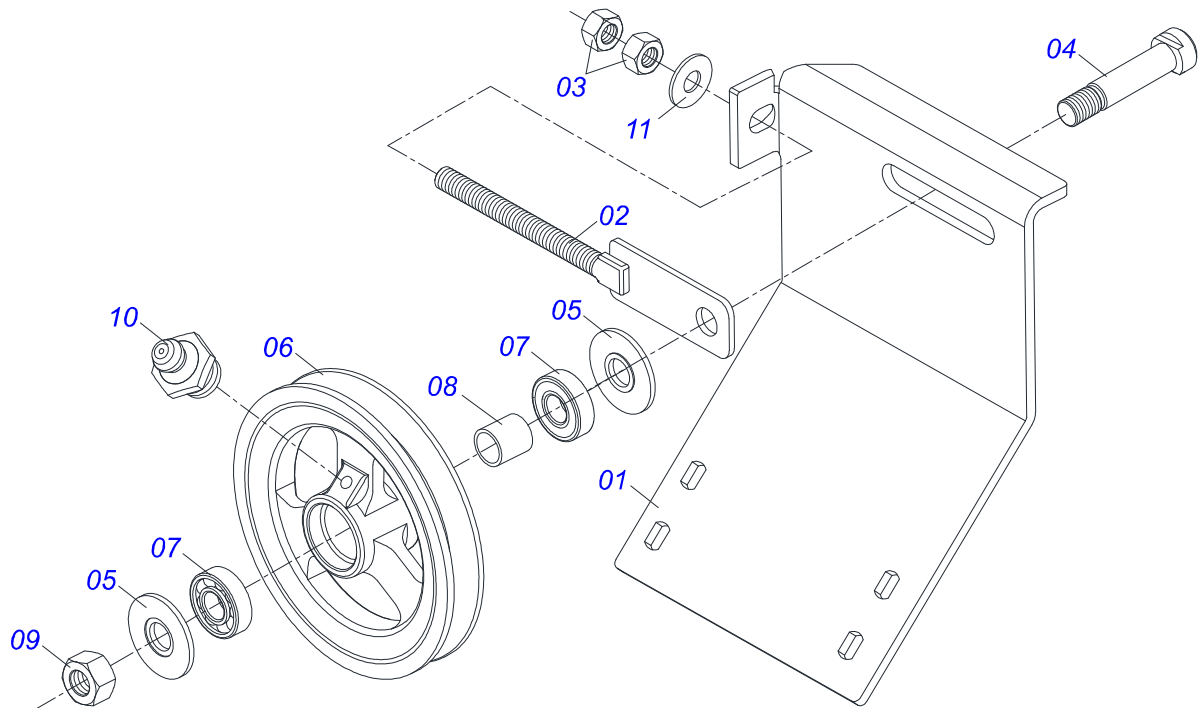
Item	Code	Description	See page	QT
01	0502011954	AGRICULTURAL HOUSING BEARING		01
02	0503011884	BALL BEARING		01
03	0503010691	1/4" GREASE FITTING		01



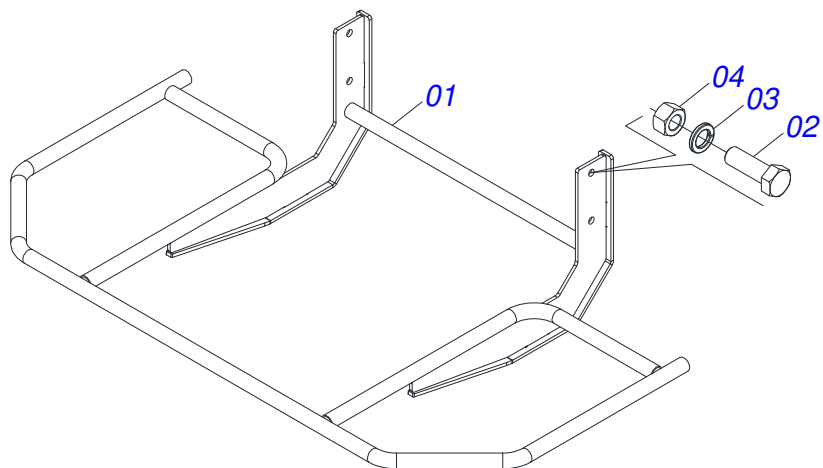
Item	Code	Description	See page	QT
01	0503011162	BALL BEARING		01
02	0503011146	HOUSING BEARING		01
03	0503011099	GREASE FITTING		01



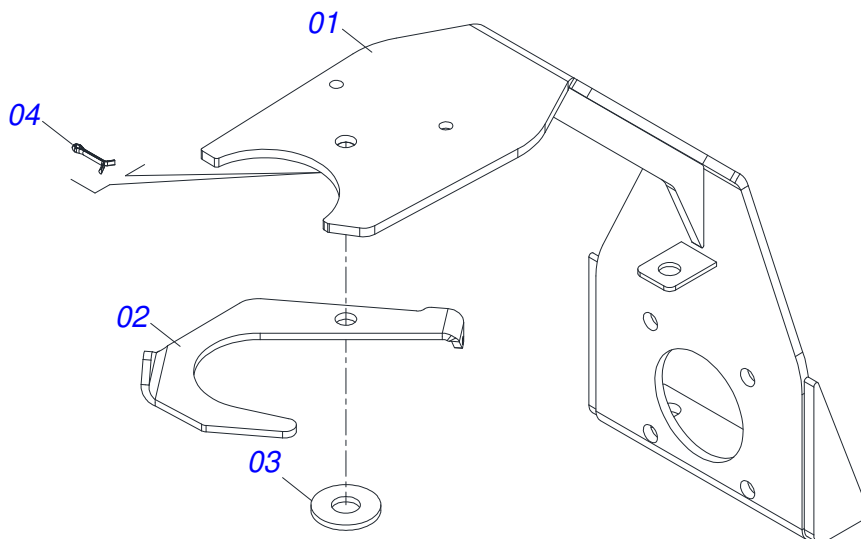
Item	Code	Description	See page	QT
01	0502011050	AGRICULTURAL HOUSING BEARING		01
02	0503011163	1108/UCR BEARING ASSY		01
03	0503010004	1890 GREASE FITTING		01



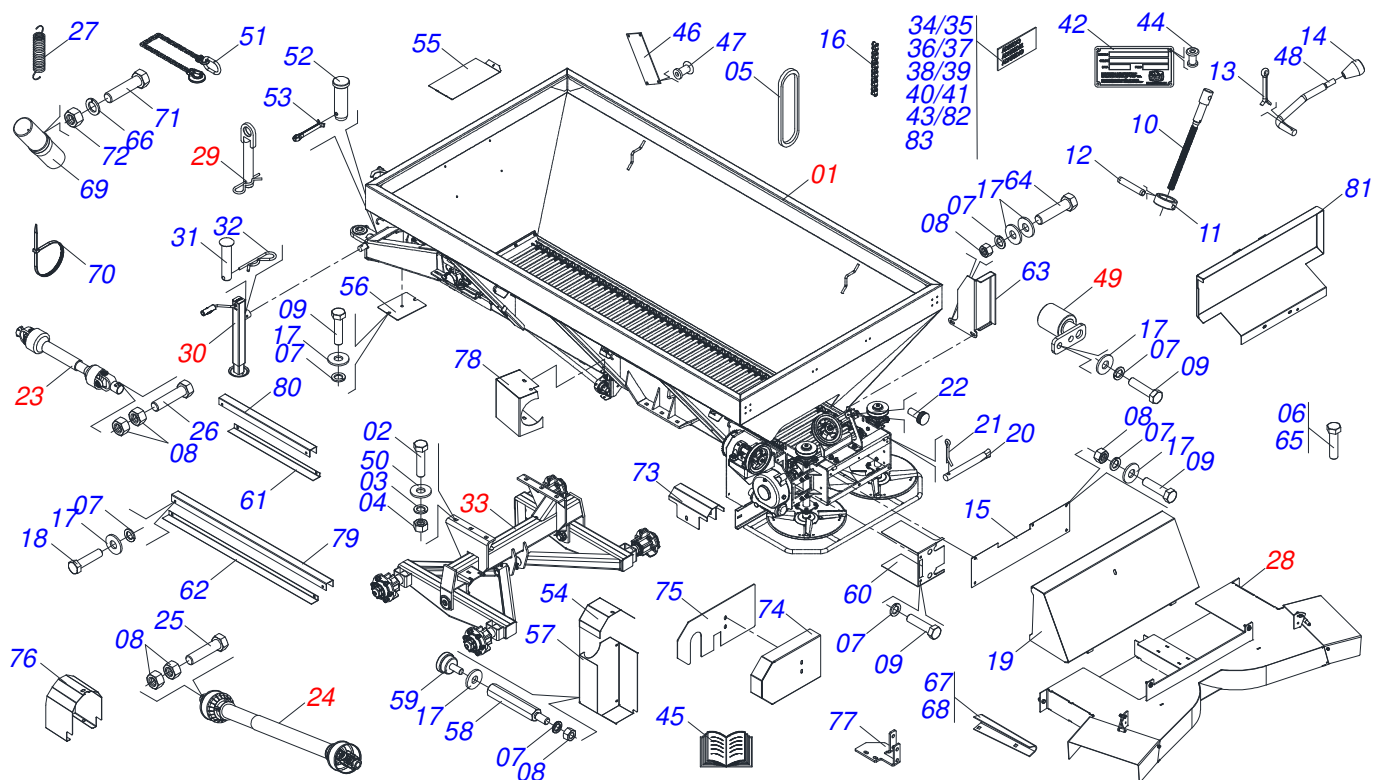
Item	Code	Description	See page	QT
01	0531014326	PULLEY BODY SUPPORT		01
02	0511064818	PULLEY TENSIONER		01
03	0503010013	5/8 NUT		02
04	0511012362	TIGHTENER AXLE PULLEY		01
05	0501019288	WASHER SPACER		02
06	0502011366	REEL 1C 8.3" X 1.6" PULLEY		01
07	0503010690	6204 BALL BEARING		02
08	0521010497	0.8" X 1.1" X 1.1" SPACER		01
09	0503010014	3/4" HEX NUT		01
10	0503010002	1800 GREASE FITTING		01
11	0501012140	FLAT WASHER		01



Item	Code	Description	See page	QT
01	0531061724	DISK PROTECTOR		01
02	0503010920	1/2 UNC X 1.1/2 C S G.5 ZN BOLT		04
03	0503011440	SPRING WASHER		04
04	0503010060	1/2 UNC G.5 ZN HEX NUT		04



Item	Code	Description	See page	QT
01	0521068817	SUPPORT SUSTENANCE CARDAN		01
02	0511014066	SMALLER CARDAN SUPPORT		01
03	0511017302	FLAT WASHER 13,50 X 32,50 X 3,0 ZN		01
04	0503010257	1/8" X 1" COTTERPIN		01

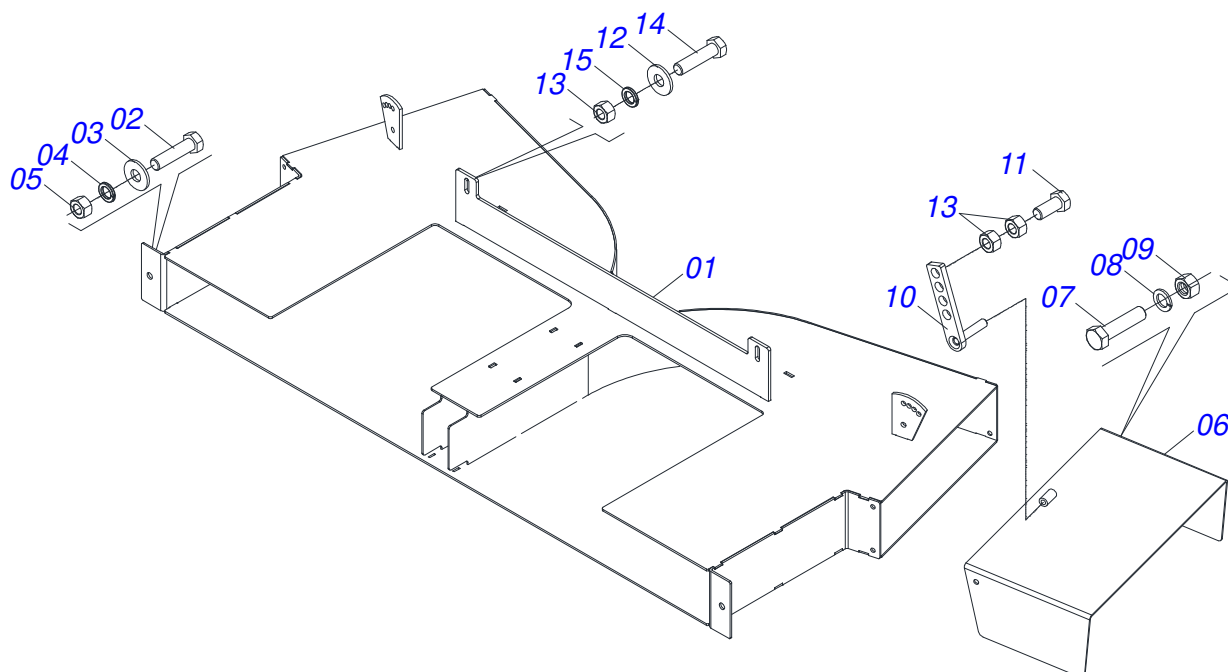


Item	Code	Description	See page	QT
01	052105689	FRAME WITH BUCKET	34	01
02	0503010899	5/8 UNC X 2.1/4 BOLT		06
03	0503010027	5/8 SPRING WASHER		06
04	0503010013	5/8 NUT		06
05	0503012941	C-148 BELT		01
06	0503010751	C3/8" X 1.1/4" HEX BOLT G.5		02
07	0503010025	3/8 SPRING WASHER		29
08	0503010026	3/8" NUT		22
09	0503010237	3/8" X 1" BOLT		11
10	0561014861	REGULATOR		01
11	0511013015	SLEEVE		01
12	0503010561	SPRING PIN		01
13	0503010257	1/8" X 1" COTTERPIN		01
14	0503030878	LEVER CRANK		01
15	0531014340	REAR PROTECTION		01
16	0503013003	50-1 CHAIN X 79 LINK + REDUCTION + MENDING		01
17	0501010984	10,50 X 27 X 3,00 FLAT WASHER		33
18	0503010256	3/8" X 3/4" BOLT		16
19	0511063408	REAR COVER PROTECTION		01
20	0501017574	0.3" X 2.7" AXLE		02
21	0503010140	1/8" X 3/4" COTTERPIN		02
22	0503010386	CABLE		01
23	0501048241	DRIVE SHAFT	3	01
24	0501048200	DRIVE SHAFT	4	01
25	0503011268	3/8" X 2-1/2" BOLT		02
26	0503010765	3/8" X 3" BOLT		01
27	0503030198	0.6" X 2.4" X 0.1" EXTENSION SPRING		01
28	052105686	SEMI MOUNTED DRIVER	31	01
29	0501047881	AXIS JOINT ASSY	5	01
30	0503062157	DRAWBAR JACK	6	01
31	0521010549	COUPLING SHAFT		01

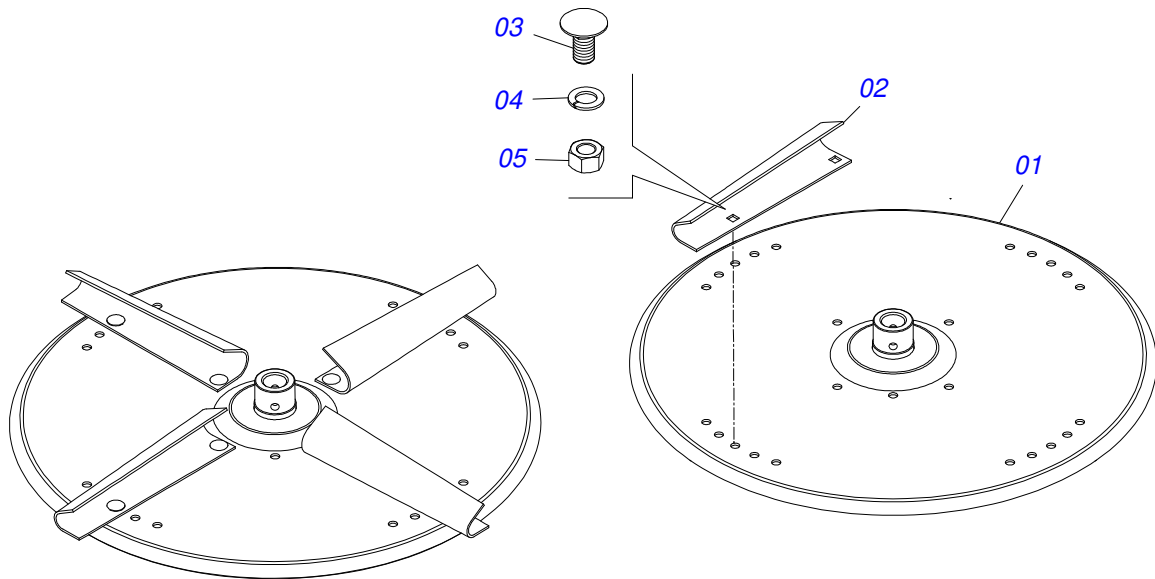
ASSY FRAME WITH CONTROLLER

Item	Code	Description	See page	QT
32	0503030168	HITCH PIN CLIP		01
33	0511041064	FIXING STAND ASSY	7	01
34	0503060821	SET LABEL ADHESIVE		01
35	0503031859	ADHESIVE LABEL DANGER		02
36	0503031428	READ MANUAL DECAL		01
37	0503031827	LUBRICATE AND RETIGHTEN DAILY DECAL		01
38	0503031087	ADHESIVE LABEL		01
39	0503031818	ADHESIVE LABEL		01
40	0503031809	ADHESIVE LABEL		01
41	0503032425	ADHESIVE LABEL ATTENTION		01
42	0503034003	SERIAL NUMBER TAG 61 X 118		01
43	0503032949	ADHESIVE LABEL		01
44	0503010001	3.2 X 5.5 RIVET		04
45	0501036432	CAT BAG / MANUAL		01
46	0503030751	REGULATOR PLATE		01
47	0503012209	RIVET POP		04
48	0521011107	CRANK BODY		01
49	0501050829	CHAIN TENSIONER	9	01
50	0501012140	FLAT WASHER		12
51	0503013150	1300 X 3/8 CHAIN		01
52	0581011220	COUPLING SHAFT		01
53	0503010131	3/16" X 1-1/2" COTTERPIN		01
54	0581017494	TOP PROTECTION RECAMBIO		01
55	0581017452	FRONT PROTECTION BELT		01
56	0581017488	LOWER PROTECTION BOARD CARDAN		01
57	0581017446	CHAIN CAP		01
58	0581017496	PRISONER 3/8 UNC X 5/16 UNC X 175		03
59	0503010386	CABLE		03
60	0581017453	FLANGE PROTECTION COVER		01
61	0581017462	PROTECTION FRONT COVER		01
62	0581017464	PROTECTION FRONT COVER		01
63	0581017469	PROTECTION SIDE		01
64	0503010849	3/8" X 1-1/2" BOLT		04
65	0503010240	BOLT		02
66	0503010179	LOCK WASHER 5/16 ZN 1K01528		03
67	0531014343	RH FLIP		04
68	0531014344	LH FLIP		04
69	0503060100	INSTRUCTIONS MANUAL CANISTER		01
70	0503010267	NYLON CLAMP		01
71	0503010363	BOLT 5/16 UNC X 1 C S G.2 ZN		01
72	0503010337	5/16" NUT		01
73	0581015152	COVER PROTECTION		01
74	0581017450	BELT SIDE PROTECTOR		01
75	0521068792	COVER PROTECTION		01
76	0521068802	PROTECTION TOGETHER CARDAN		01
77	0521068801	SUPPORT BELT PROTECTION		01
78	0521068818	BEARING PROTECTION		01
79	0521068799	TRANSMISSION AXLE PROTECTION		01
80	0521068798	MINOR PROTECTION TRANSMISSION AXLE		01
81	0521068794	BELT INTERNAL PROTECTION		01
82	0503035156	LABEL ADHESIVE		01
83	0503036144	MAXIMUM SPEED ADHESIVE LABEL		01

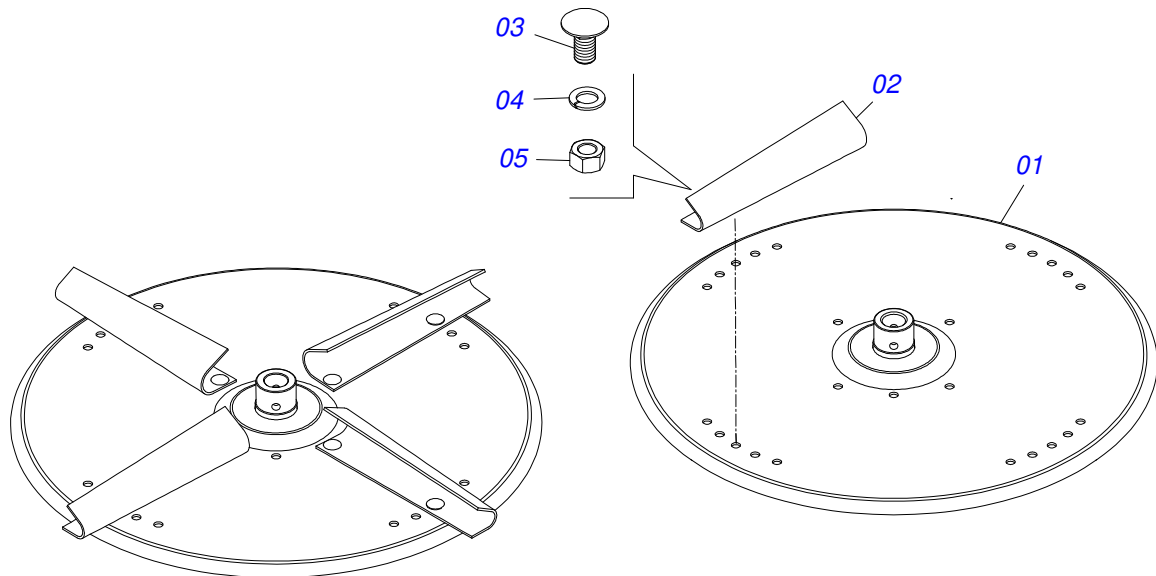




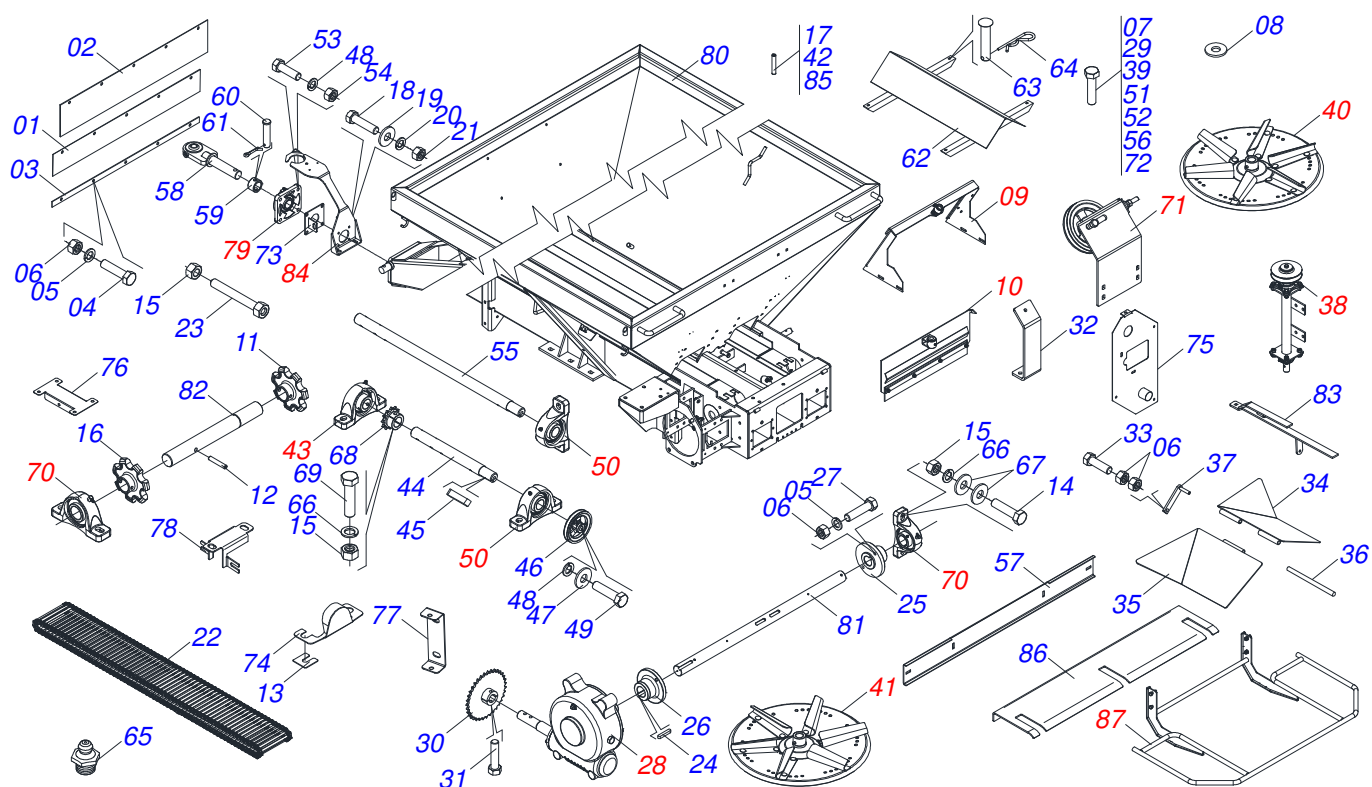
Item	Code	Description	See page	QT
01	0511064253	CONTROLLER	01	01
02	0503010395	1/2" X 1-1/4" BOLT	02	02
03	0511017302	FLAT WASHER 13,50 X 32,50 X 3,0 ZN	02	02
04	0503010019	1/2" SPRING WASHER	02	02
05	0503010060	1/2 UNC G.5 ZN HEX NUT	02	02
06	0511064254	CONTROLLER SPOUT	02	02
07	0503010240	BOLT	04	04
08	0503010179	LOCK WASHER 5/16 ZN 1K01528	04	04
09	0503010337	5/16" NUT	04	04
10	0501067368	DIVISOR REGULATOR OPEN	02	02
11	0503010751	C3/8" X 1.1/4" HEX BOLT G.5	02	02
12	0501010984	10,50 X 27 X 3,00 FLAT WASHER	02	02
13	0503010026	3/8" NUT	06	06
14	0503010849	3/8" X 1-1/2" BOLT	02	02
15	0503010025	3/8 SPRING WASHER	02	02



Item	Code	Description	See page	QT
01	0511063411	DISTRIBUTOR DISC		01
02	0531014344	LH FLIP		04
03	0503013029	3/8" X 3/4" BOLT		08
04	0503011443	3/8" SPRING WASHER		08
05	0503010026	3/8" NUT		08

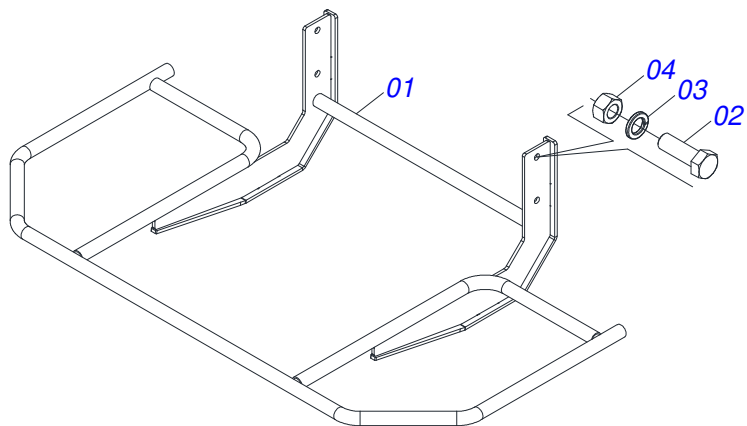


Item	Code	Description	See page	QT
01	0511063411	DISTRIBUTOR DISC		01
02	0531014343	RH FLIP		04
03	0503013029	3/8" X 3/4" BOLT		08
04	0503011443	3/8" SPRING WASHER		08
05	0503010026	3/8" NUT		08

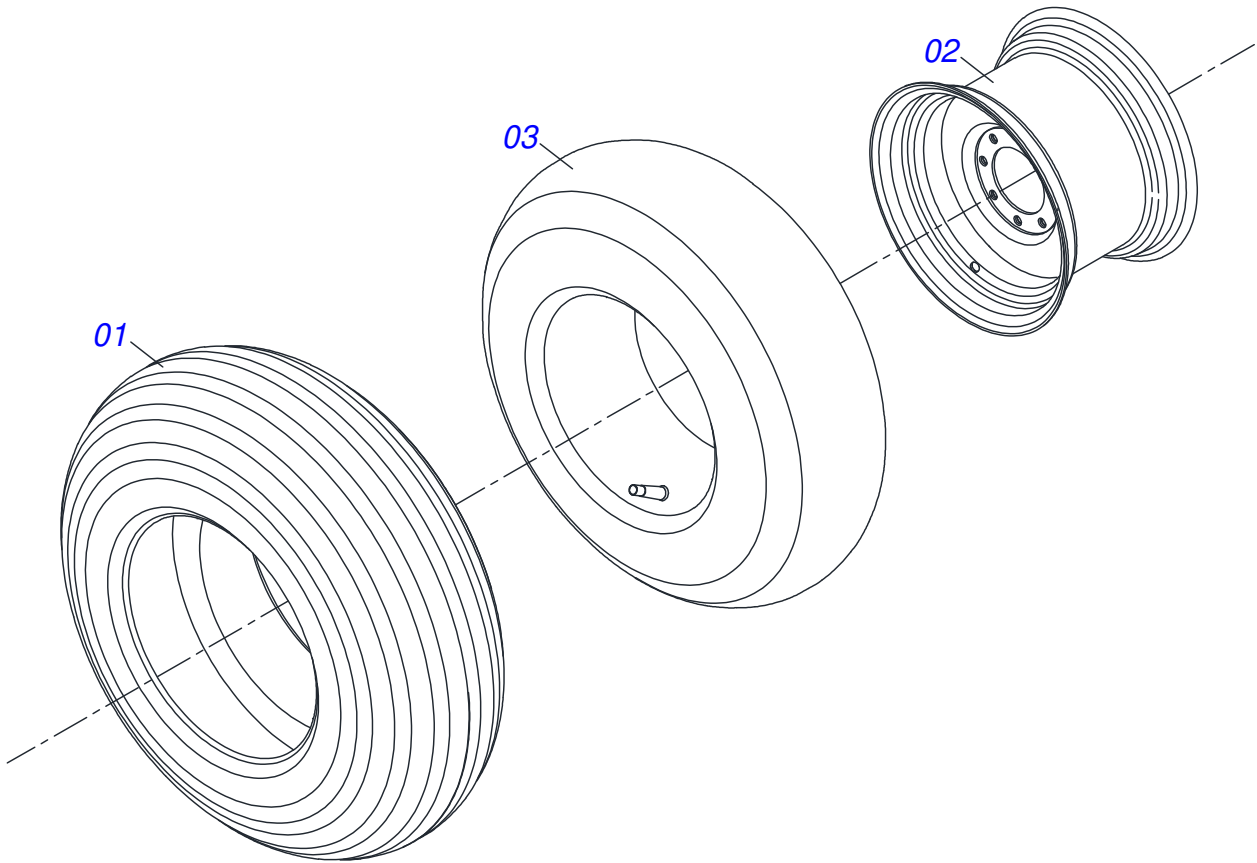


Item	Code	Description	See page	QT
01	0531014336	31.4"X3.1"X0.1" PROTECTION SMALLER		01
02	0531014337	PROTECTION LARGER		02
03	0531014331	SLUICE VALVE FIXER COVER		01
04	0503010237	3/8" X 1" BOLT		13
05	0503011443	3/8" SPRING WASHER		22
06	0503010026	3/8" NUT		24
07	0503010751	C3/8" X 1.1/4" HEX BOLT G.5		04
08	0501010984	10,50 X 27 X 3,00 FLAT WASHER		10
09	0511059105	SLUICE VALVE SUPPORT	15	01
10	0511059108	SLUICE VALVE COVER ASSY	17	01
11	0502040728	7Z GEAR		03
12	0503010361	SPRING PIN		03
13	0501010794	HIDR CHOCK REGULATOR		04
14	0503010233	5/8" X 2-1/2" BOLT		04
15	0503010013	5/8 NUT		08
16	0502040728	7Z GEAR		03
17	0503010361	SPRING PIN		03
18	0503010740	BOLT 1/2 UNC X 2 CS G.5 ZN		10
19	0511017302	FLAT WASHER 13,50 X 32,50 X 3,0 ZN		24
20	0503011440	SPRING WASHER		28
21	0503010060	1/2 UNC G.5 ZN HEX NUT		28
22	0511063805	DRIVE THE TRANSPORT TALISCA		01
23	0501067853	ROD STABILIZER		02
24	0501010540	KEYWAY SQUARE		02
25	0511016540	MAT COUPLING FLANGE		01
26	0511016541	REDUCTION COUPLING FLANGE		01
27	0503010849	3/8" X 1-1/2" BOLT		03
28	0501047985	REDUCER	18	01
29	0503011167	M16 X 2 X 30 BOLT		04
30	0501069020	35Z GEAR		02
31	0503011268	3/8" X 2-1/2" BOLT		03

Item	Code	Description	See page	QT
32	0511063668	REAR FIXER COVER		01
33	0503010238	BOLT 1/2 UNC X 1.3/4 CS G.2 ZN		04
34	0511063659	RIGHT FLOW DIVIDING		01
35	0511063660	LEFT FLOW DIVIDING		01
36	0531015309	TENSIONER OPEN		01
37	0501067368	DIVISOR REGULATOR OPEN		02
38	0501054013	RIGHT BEARRING SUPPORT DISC	20	02
39	0503010920	1/2 UNC X 1.1/2 C S G.5 ZN BOLT		10
40	0501058675	DISTRIBUTOR LEFT DISC ASSY	32	01
41	0501058677	DISTRIBUTOR RIGHT DISC ASSY	33	01
42	0503010361	SPRING PIN		02
43	0511041213	AGRICULTURAL BEARING	24	02
44	0531014330	DRIVE AXLE		01
45	0501010536	KEYWAY SQUARE		01
46	0502011361	REEL 1C 5.5" X 1.1" PULLEY		01
47	0511014052	FLAT WASHER		01
48	0503011446	SPRING WASHER		05
49	0503010355	7/16" X 1" BOLT		01
50	0511041213	AGRICULTURAL BEARING	24	02
51	0503010920	1/2 UNC X 1.1/2 C S G.5 ZN BOLT		02
52	0503011082	C1/2" X 1.3/4" SCREW		02
53	0503011135	BOLT		04
54	0503010244	7/16" NUT		04
55	0521012415	2220 TRANSMITTER AXLE		01
56	0503010905	1/2" X 2-1/4" BOLT		02
57	0531014338	BAMPER		01
58	0521068793	TRACTOR TRACTOR		01
59	0521010681	BUSHING COUPLING BODY		01
60	0521010639	COUPLING SHAFT		01
61	0503010571	1/4" X 1.1/2 COTTERPIN		01
62	0511063853	LARGER DEFLECTOR		01
63	0521017623	0.5" X 1.5" COUPLING SHAFT		04
64	0503030168	HITCH PIN CLIP		04
65	0503011098	1/4" GREASE FITTING		04
66	0503011445	SPRING WASHER		18
67	0501012140	FLAT WASHER		08
68	0501069017	12Z GEAR		01
69	0503011267	5/8 UNC X 1.1/2 C S G.5 ZN BOLT		02
70	0501044308	AGRICULTURAL BEARING ASSY	26	04
71	0501053868	BELT TENSIONER ASSY	27	01
72	0503010905	1/2" X 2-1/4" BOLT		02
73	0521068825	SUPPORT AXLE PROTECTION		01
74	0521068822	BEARING PROTECTION		03
75	0521068791	TRANSMISSION PROTECTION COVER		01
76	0521068109	FIXER PROTECTION COVER		01
77	0521068824	PROTECTION SUPPORT BEARING		01
78	0581017505	INTERMEDIARY SUPPORT AXLE PROTECTION		01
79	0501044306	BATH BEARING	25	01
80	0511063856	BUCKET		01
81	0531014346	MOTOR SHAFT		01
82	0531014345	DRIVEN AXLE		01
83	0531061725	REAR DEFLECTOR SUPPORT		01
84	0521053161	CARDAN SUPPORT WITHOUT SPRING	29	01
85	0503010756	0.2" X 2.4" SPRING PIN		06
86	0531014324	TOOTH COVER		01
87	0531050244	PROTECTOR DISC	35	01



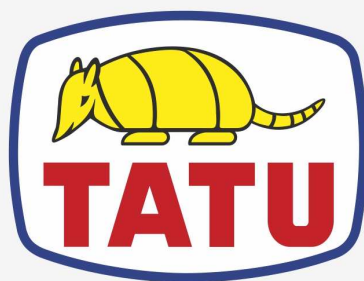
Item	Code	Description	See page	QT
01	0531061810	DISC PROTECTION		01
02	0503010920	1/2 UNC X 1.1/2 C S G.5 ZN BOLT		04
03	0503011440	SPRING WASHER		04
04	0503010060	1/2 UNC G.5 ZN HEX NUT		04



Item	Code	Description	See page	QT
01	0503010858	CANVAS TIRE		01
02	0503011468	WEEL		01
03	0503010860	AIR CHAMBER 11L 15		01







**MARCHESAN**

**Technical Publications | Elaboration and Revision**

LORENA ROCHA ALVES

[www.marchesan.com.br](http://www.marchesan.com.br)

