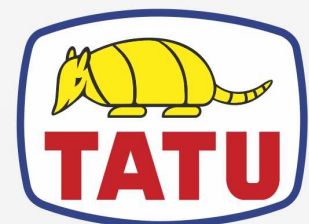


**CHASER BIN**

## **DCCO 5500 MC WITH HYDRAULIC DRIVE**

**Code:** 0501093174  
**Series:** S-0114  
**Revision:** 01  
**Date Revision:** FEVEREIRO/2023

# **PARTS CATALOGUE**



**MARCHESAN**



# PRODUCTS

<b>Code</b>	<b>Description</b>
0109090168	DCCO 5500 MC C/ACIONAM HIDR S-0114
0109090213	DCCO 5500 MC C/ACIONAM HIDR PN11L15 S-0114
0109090206	DCCO 5500 MC C/DIR C/ACION HIDR PN11L15 S-0114
0109090209	DCCO 5500 MC C/RODA S/PNEU C/ACIONAM HIDR S-0114

## **ATTENTION: IMPORTANT**

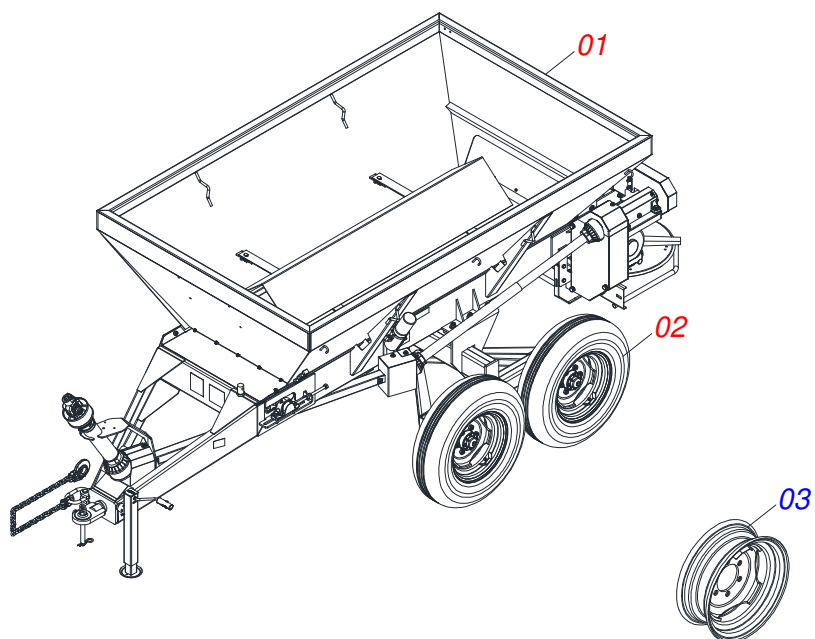
Marchesan S.A. reserves the right to improve and/or modify the technical features of its products, without obligation to do the same with those products already sold and without prior knowledge of the dealer or the customer. The photos are only illustrative.



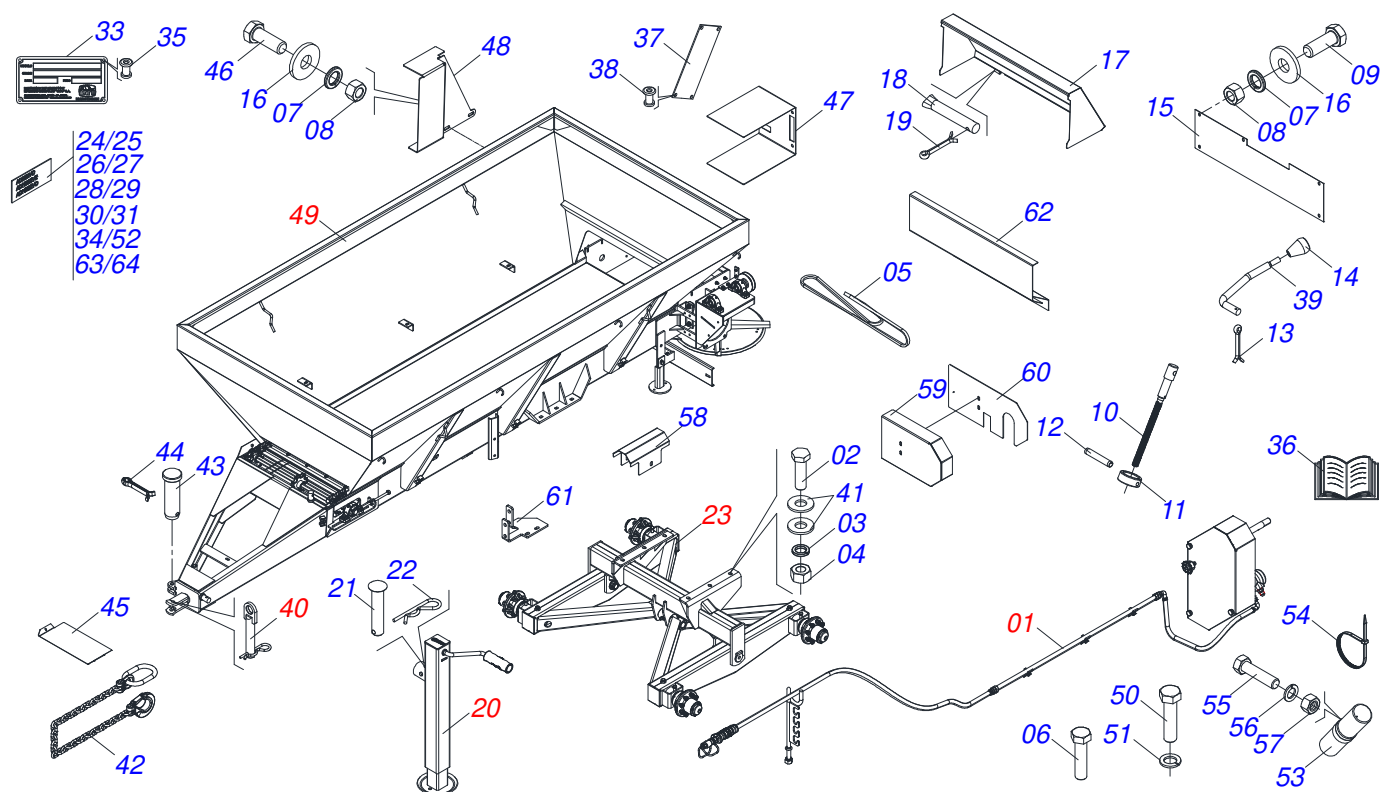
**MARCHESAN**

# INDEX

0909096105	ASSY FRAME	.....	1
0521043445	FRAME ASSY	.....	2
0511054507	BUCKET	.....	3
0511059105	SLUICE VALVE SUPPORT	.....	4
0511059094	SHAFT BEARING THREADED	.....	5
0511059108	SLUICE VALVE COVER ASSY	.....	6
0501044308	AGRICULTURAL BEARING ASSY	.....	7
0501047985	REDUCER	.....	8
0501053868	BELT TENSIONER ASSY	.....	9
0501054013	RIGHT BEARRING SUPPORT DISC	.....	10
0501048000	AGRICULTURAL BEARING	.....	11
0501053870	DISTRIBUTOR RIGHT DISC ASSY	.....	12
0501053871	DISTRIBUTOR LEFT DISC ASSY	.....	13
0511041213	AGRICULTURAL BEARING	.....	14
0511054749	HYDRAULIC DRIVE ASSEMBLY	.....	15
0511054496	TENSIONER SMALEER ASSY	.....	16
0511054497	TENSIONER LARGER ASSY	.....	17
0501053834	MALE QUICK COUPLER	.....	18
0501047881	AXIS JOINT ASSY	.....	19
0503062157	DRAWBAR JACK	.....	20
0511040826	ROCKER ARM SUPPORT	.....	21
0501051142	CARRYING WHEEL HUB	.....	22
0521045611	ASSY FRAME	.....	23
0521055686	SEMI MOUNTED DRIVER	.....	24
0521055692	FRAME WITH BUCKET	.....	25
0501058675	DISTRIBUTOR LEFT DISC ASSY	.....	26
0501058677	DISTRIBUTOR RIGHT DISC ASSY	.....	27
0503060181	WHEEL AND TIRE	.....	28
0503060206	29.5"X0.6"- 10L WHEEL AND TIRE ASSY	.....	29



Item	Code	Description	See page	QT
01	0521043445	FRAME ASSY	2	01
01.	0521045611	ASSY FRAME	23	01
02	0503060181	WHEEL AND TIRE	28	04
02.	0503060206	29.5"X0.6"- 10L WHEEL AND TIRE ASSY	29	04
03	0521062708	WHEEL 5,50 X 16 X 118 X 6F 16,50 X 152,40		04



Item	Code	Description	See page	QT
01	0511054749	HYDRAULIC DRIVE ASSEMBLY	15	01
02	0503010899	5/8 UNC X 2.1/4 BOLT		06
03	0503010027	5/8 SPRING WASHER		06
04	0503010013	5/8 NUT		06
05	0503012941	C-148 BELT		01
06	0503010751	C3/8" X 1.1/4" HEX BOLT G.5		02
07	0503010025	3/8 SPRING WASHER		13
08	0503010026	3/8" NUT		11
09	0503010237	3/8" X 1" BOLT		11
10	0561014861	REGULATOR		01
11	0511013015	SLEEVE		01
12	0503010561	SPRING PIN		01
13	0503010257	1/8" X 1" COTTERPIN		01
14	0503030878	LEVER CRANK		01
15	0531014340	REAR PROTECTION		01
16	0501010984	10,50 X 27 X 3,00 FLAT WASHER		13
17	0511063408	REAR COVER PROTECTION		01
18	0501017574	0.3" X 2.7" AXLE		02
19	0503010140	1/8" X 3/4" COTTERPIN		02
20	0503062157	DRAWBAR JACK	20	01
21	0521010549	COUPLING SHAFT		01
22	0503030168	HITCH PIN CLIP		01
23	0511040826	ROCKER ARM SUPPORT	21	01
24	0503035165	ADHESIVE LABEL		02
25	0503031859	ADHESIVE LABEL DANGER		02
26	0503031428	READ MANUAL DECAL		01
27	0503031827	LUBRICATE AND RETIGHTEN DAILY DECAL		01
28	0503031087	ADHESIVE LABEL		01
29	0503031818	ADHESIVE LABEL		01
30	0503031809	ADHESIVE LABEL		01
31	0503032425	ADHESIVE LABEL ATTENTION		01

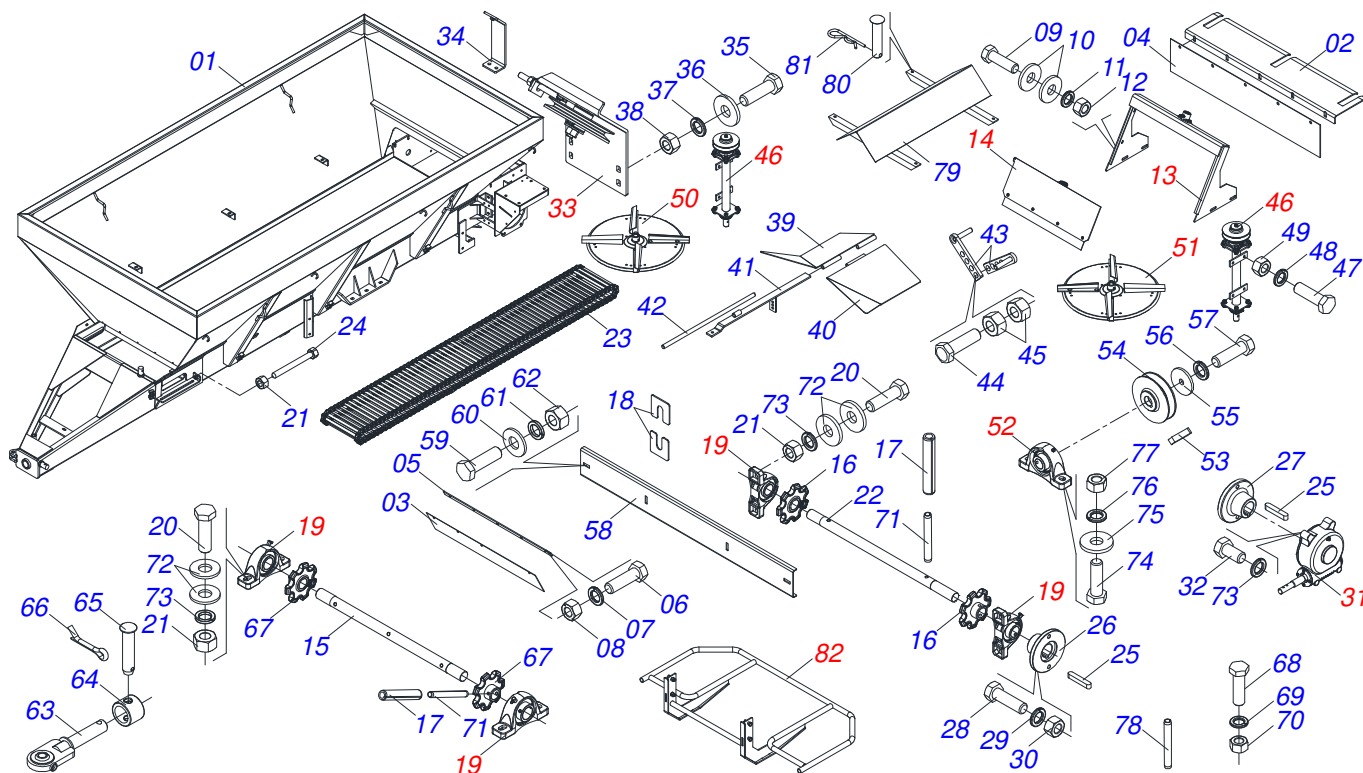


FRAME ASSY

0521043445

Item	Code	Description	See page	QT
33	0503034003	SERIAL NUMBER TAG 61 X 118		01
34	0503032949	ADHESIVE LABEL		01
35	0503010001	3.2 X 5.5 RIVET		04
36	0501036432	CAT BAG / MANUAL		01
37	0503030751	REGULATOR PLATE		01
38	0503012209	RIVET POP		04
39	0521011107	CRANK BODY		01
40	0501047881	AXIS JOINT ASSY	19	01
41	0501012140	FLAT WASHER		12
42	0503013150	1300 X 3/8 CHAIN		01
43	0581011220	COUPLING SHAFT		01
44	0503010131	3/16" X 1-1/2" COTTERPIN		01
45	0581013215	FRONT PROTECTION		01
46	0503010849	3/8" X 1-1/2" BOLT		06
47	0581017453	FLANGE PROTECTION COVER		01
48	0581017469	PROTECTION SIDE		01
49	0511054507	BUCKET	3	01
50	0503010240	BOLT		02
51	0503010179	LOCK WASHER 5/16 ZN 1K01528		02
52	0503034648	ADHESIVE LABEL		01
53	0503060100	INSTRUCTIONS MANUAL CANISTER		01
54	0503010267	NYLON CLAMP		01
55	0503010363	BOLT 5/16 UNC X 1 C S G.2 ZN		01
56	0503010179	LOCK WASHER 5/16 ZN 1K01528		01
57	0503010337	5/16" NUT		01
58	0581015152	COVER PROTECTION		01
59	0581017450	BELT SIDE PROTECTOR		01
60	0521068792	COVER PROTECTION		01
61	0521068801	SUPPORT BELT PROTECTION		01
62	0521068794	BELT INTERNAL PROTECTION		01
63	0503035156	LABEL ADHESIVE		01
64	0503036144	MAXIMUM SPEED ADHESIVE LABEL		01

BUCKET



Item	Code	Description	See page	QT
01	0511063403	BUCKET		01
02	0531014324	TOOTH COVER		01
03	0531014336	31.4"X3.1"X 0.1" PROTECTION SMALLER		01
04	0531014337	PROTECTION LARGER		02
05	0531014331	SLUICE VALVE FIXER COVER		01
06	0503010237	3/8" X 1" BOLT		11
07	0503011443	3/8" SPRING WASHER		11
08	0503010026	3/8" NUT		11
09	0503010751	C3/8" X 1.1/4" HEX BOLT G.5		04
10	0501010984	10,50 X 27 X 3,00 FLAT WASHER		08
11	0503011443	3/8" SPRING WASHER		04
12	0503010026	3/8" NUT		04
13	0511059105	SLUICE VALVE SUPPORT	4	01
14	0511059108	SLUICE VALVE COVER ASSY	6	01
15	0531014345	DRIVEN AXLE		01
16	0502040728	7Z GEAR		06
17	0503010361	SPRING PIN		08
18	0501010794	HIDR CHOCK REGULATOR		04
19	0501044308	AGRICULTURAL BEARING ASSY	7	04
20	0503010233	5/8" X 2-1/2" BOLT		04
21	0503010013	5/8 NUT		06
22	0531014346	MOTOR SHAFT		01
23	0511063406	DRIVE THE TRANSPORT TALISCA		01
24	0501067853	ROD STABILIZER		02
25	0501010540	KEYWAY SQUARE		02
26	0511016540	MAT COUPLING FLANGE		01
27	0511016541	REDUCTION COUPLING FLANGE		01
28	0503010849	3/8" X 1-1/2" BOLT		02
29	0503011443	3/8" SPRING WASHER		02
30	0503010026	3/8" NUT		02
31	0501047985	REDUCER	8	01

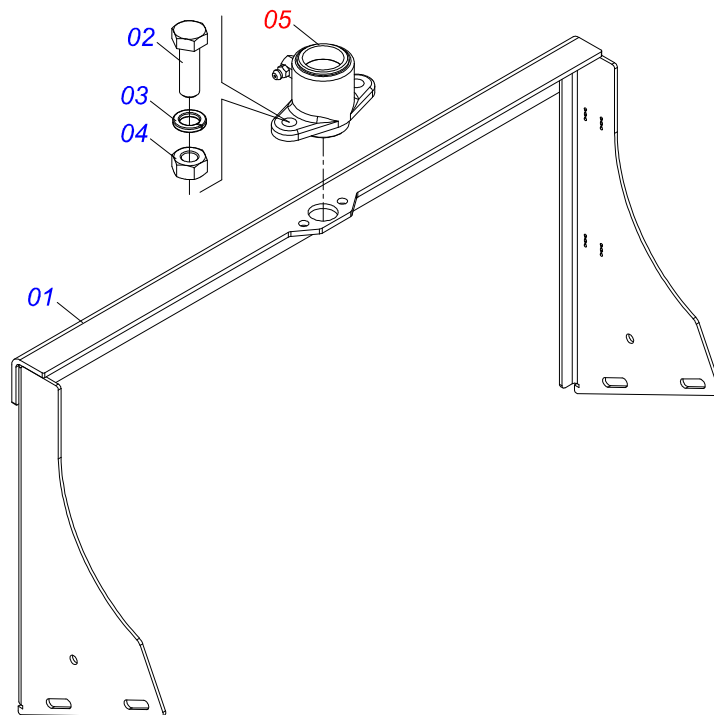


## BUCKET

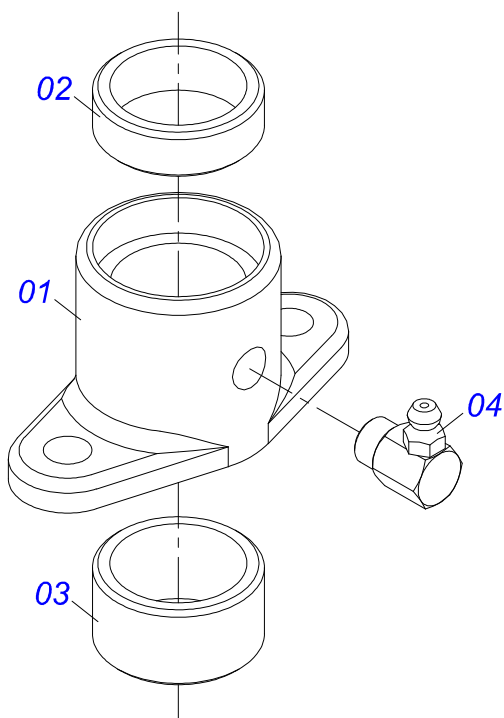
0511054507

Item	Code	Description	See page	QT
32	0503011167	M16 X 2 X 30 BOLT		04
33	0501053868	BELT TENSIONER ASSY	9	01
34	0511063668	REAR FIXER COVER		01
35	0503010920	1/2 UNC X 1.1/2 C S G.5 ZN BOLT		04
36	0511017302	FLAT WASHER 13,50 X 32,50 X 3,0 ZN		04
37	0503011440	SPRING WASHER		04
38	0503010060	1/2 UNC G.5 ZN HEX NUT		04
39	0511063659	RIGHT FLOW DIVIDING		01
40	0511063660	LEFT FLOW DIVIDING		01
41	0511063625	REAR DEFLECTOR SUPPORT		01
42	0531015309	TENSIONER OPEN		01
43	0501067368	DIVISOR REGULATOR OPEN		02
44	0503010849	3/8" X 1-1/2" BOLT		01
45	0503010026	3/8" NUT		02
46	0501054013	RIGHT BEARRING SUPPORT DISC	10	02
47	0503010920	1/2 UNC X 1.1/2 C S G.5 ZN BOLT		08
48	0503011440	SPRING WASHER		08
49	0503010060	1/2 UNC G.5 ZN HEX NUT		08
50	0501053870	DISTRIBUTOR RIGHT DISC ASSY	12	01
51	0501053871	DISTRIBUTOR LEFT DISC ASSY	13	01
52	0511041213	AGRICULTURAL BEARING	14	02
53	0501010536	KEYWAY SQUARE		01
54	0502011361	REEL 1C 5.5" X 1.1" PULLEY		01
55	0511014052	FLAT WASHER		01
56	0503011446	SPRING WASHER		01
57	0503010355	7/16" X 1" BOLT		01
58	0531014338	BAMPER		01
59	0503010920	1/2 UNC X 1.1/2 C S G.5 ZN BOLT		02
60	0511017302	FLAT WASHER 13,50 X 32,50 X 3,0 ZN		02
61	0503011440	SPRING WASHER		02
62	0503010060	1/2 UNC G.5 ZN HEX NUT		02
63	0521068793	TRACTOR TRACTOR		01
64	0521010681	BUSHING COUPLING BODY		01
65	0521010639	COUPLING SHAFT		01
66	0503010571	1/4" X 1.1/2 COTTERPIN		01
67	0591016380	GEAR		03
68	0503011267	5/8 UNC X 1.1/2 C S G.5 ZN BOLT		02
69	0503011445	SPRING WASHER		02
70	0503010013	5/8 NUT		02
71	0503010756	0.2" X 2.4" SPRING PIN		03
72	0501012140	FLAT WASHER		16
73	0503011445	SPRING WASHER		08
74	0503010740	BOLT 1/2 UNC X 2 CS G.5 ZN		08
75	0511017302	FLAT WASHER 13,50 X 32,50 X 3,0 ZN		08
76	0503011440	SPRING WASHER		08
77	0503010060	1/2 UNC G.5 ZN HEX NUT		08
78	0503010361	SPRING PIN		03
79	0511063658	DEFLECTOR		01
80	0521817623	JOINT AXIS		04
81	0503030168	HITCH PIN CLIP		04
82	0531050089	FULL DISK PROTECTOR		01

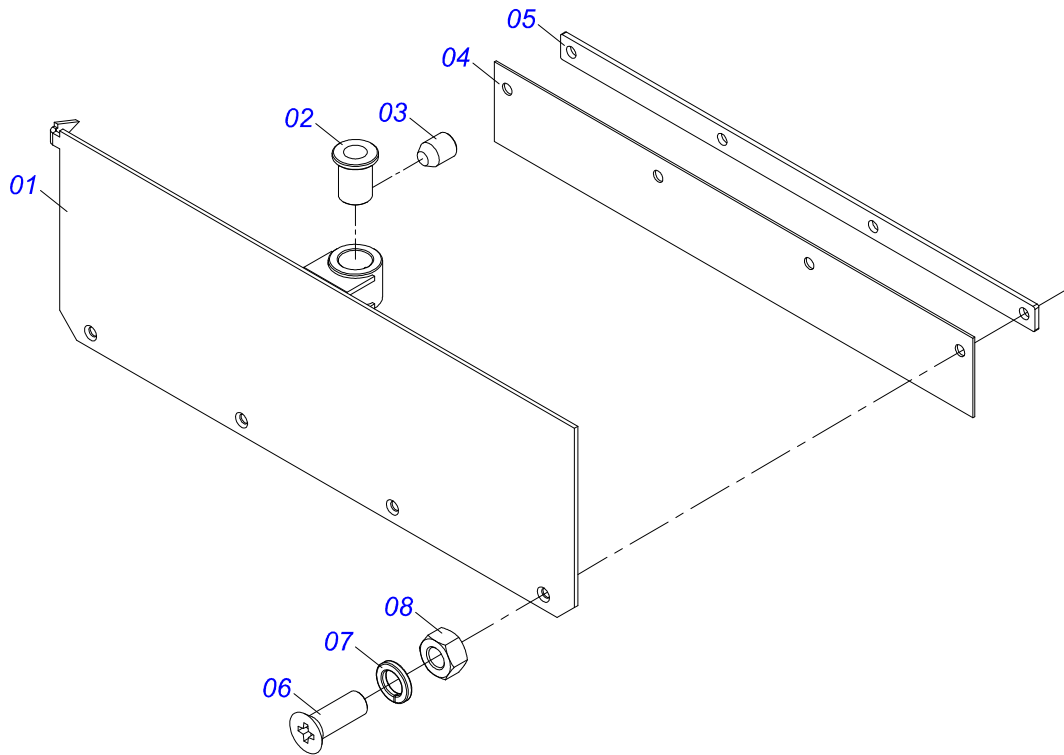




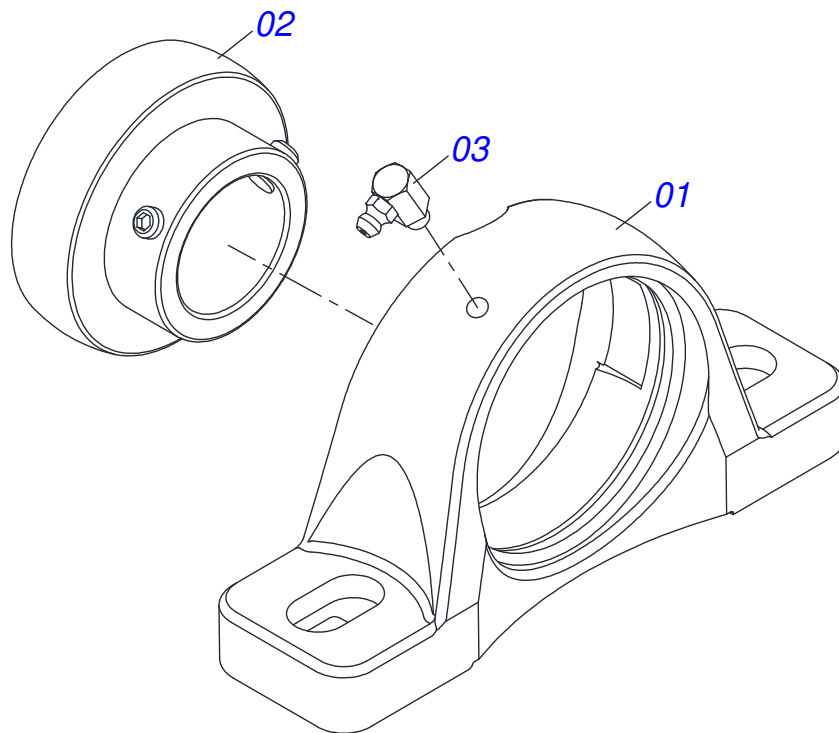
Item	Code	Description	See page	QT
01	0511063410	SLUICE VALVE SUPPORT		01
02	0503010363	BOLT 5/16 UNC X 1 C S G.2 ZN		02
03	0503011444	SPRING WASHER		02
04	0503010337	5/16" NUT		02
05	0511059094	SHAFT BEARING THREADED	5	01



Item	Code	Description	See page	QT
01	0502010581	ROD BEARING		01
02	0521010458	SLEEVE		01
03	0521010457	SLEEVE		01
04	0503010004	1890 GREASE FITTING		01

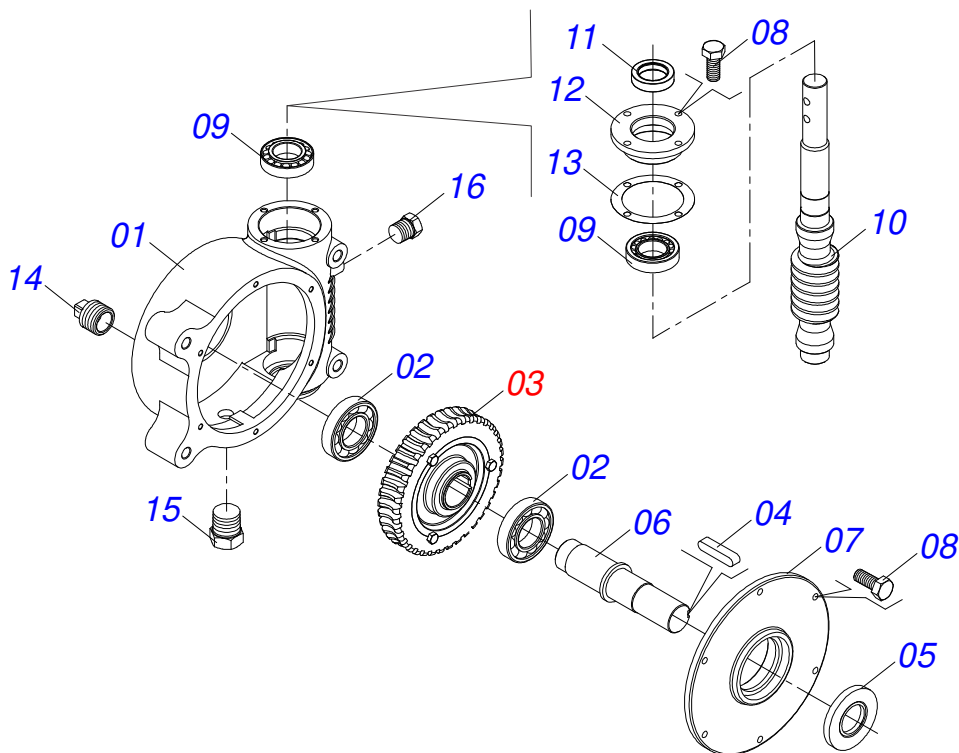


Item	Code	Description	See page	QT
01	0511063413	SLUICE VALVE COVER		01
02	0501019831	ADJUSTING NUT		01
03	0503011148	3/8" X 1/2" BOLT		01
04	0531014336	31.4"X3.1"X 0.1" PROTECTION SMALLER		01
05	0531014331	SLUICE VALVE FIXER COVER		01
06	0503010546	5/16" X 7/8" BOLT		05
07	0503011444	SPRING WASHER		05
08	0503010337	5/16" NUT		05

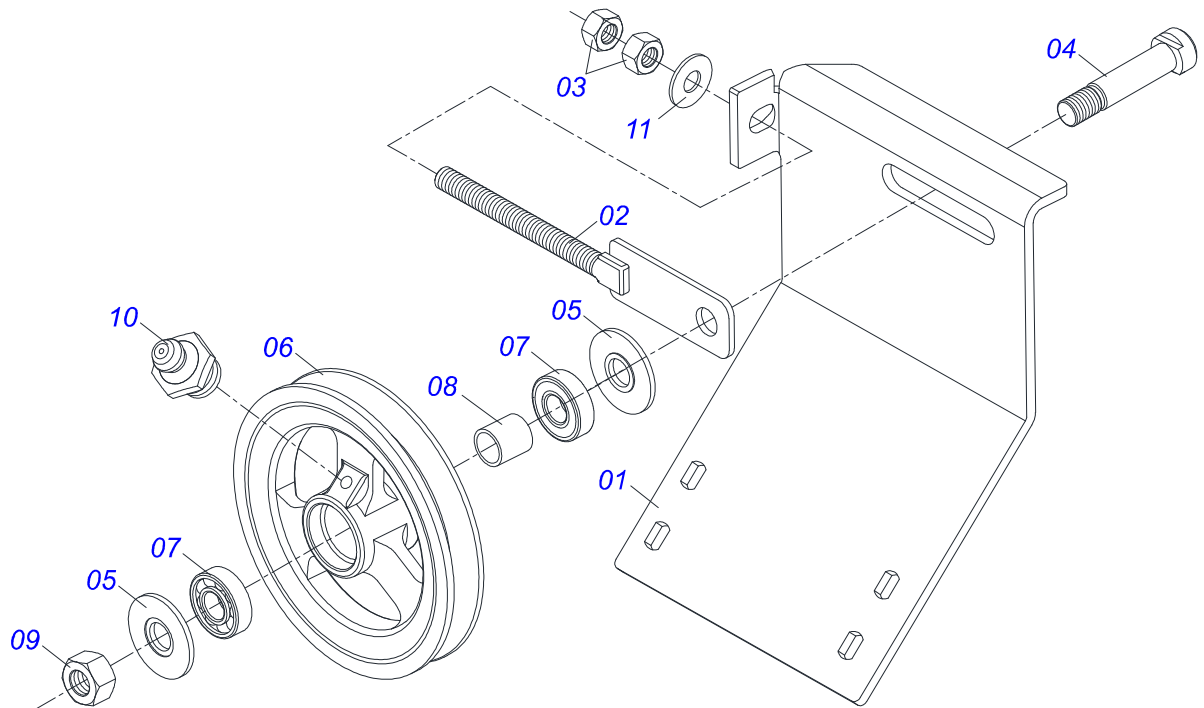


Item	Code	Description	See page	QT
01	0502011050	AGRICULTURAL HOUSING BEARING		01
02	0503011163	1108/UCR BEARING ASSY		01
03	0503010004	1890 GREASE FITTING		01

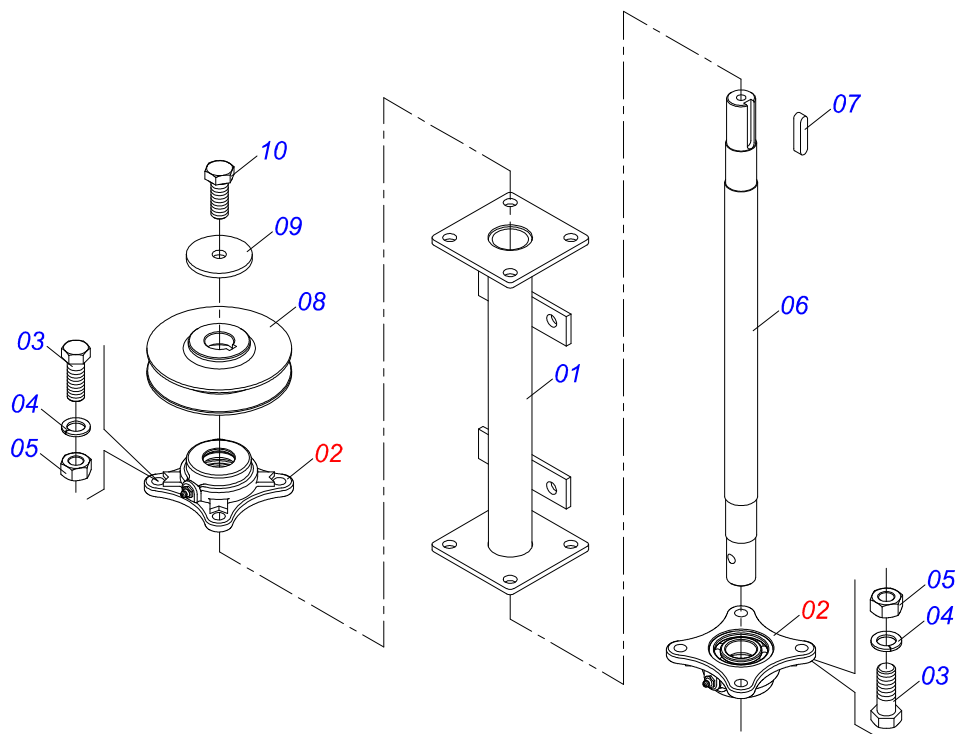
REDUCER



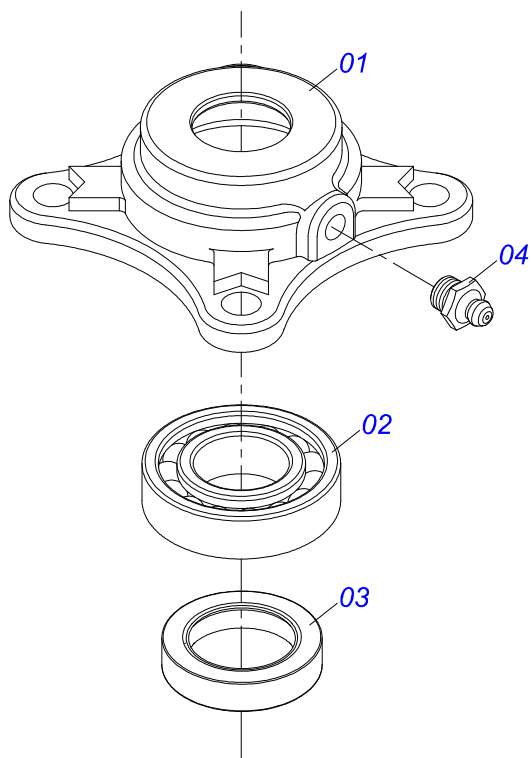
Item	Code	Description	See page	QT
01	0502011456	REDUCTION BOX		01
02	0503011095	6208 BALL BEARING		02
03	0501051774	38Z CROWN		01
04	0503011304	1/2" X 2.4" KEYWAY SQUARE		01
05	0503010818	02675-BRG SEAL		01
06	0521010996	AXLE		01
07	0502020556	LARGER COVER		01
08	0503010240	BOLT		10
09	0503010016	BEARING LM		02
10	0521010997	SCREW THEAD		01
11	0503011171	00912-BRG SEAL		01
12	0502011457	SMALLER COVER		01
13	0503030981	102 X 75,5 X 0,10 JOINT		01
14	0521011023	PLUG		01
15	0513010009	LEVEL DISPLAY		01
16	0503010856	OIL PLUG		01



Item	Code	Description	See page	QT
01	0531014326	PULLEY BODY SUPPORT		01
02	0511064818	PULLEY TENSIONER		01
03	0503010013	5/8 NUT		02
04	0511012362	TIGHTENER AXLE PULLEY		01
05	0501019288	WASHER SPACER		02
06	0502011366	REEL 1C 8.3" X 1.6" PULLEY		01
07	0503010690	6204 BALL BEARING		02
08	0521010497	0.8" X 1.1" X 1.1" SPACER		01
09	0503010014	3/4" HEX NUT		01
10	0503010002	1800 GREASE FITTING		01
11	0501012140	FLAT WASHER		01

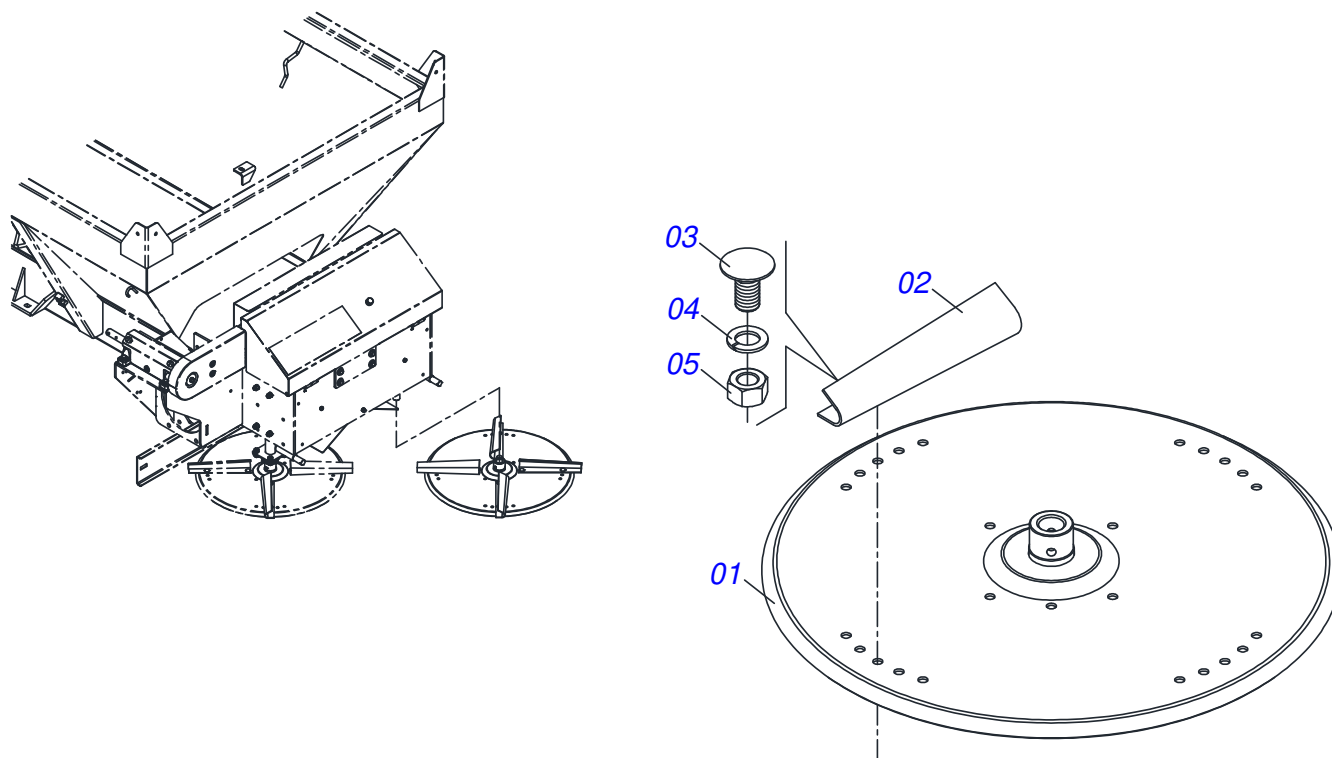


Item	Code	Description	See page	QT
01	0511063742	DISTRIBUTOR RIGHT/LEFT SUPPORT		01
02	0501048000	AGRICULTURAL BEARING	11	02
03	0503011135	BOLT		08
04	0503011446	SPRING WASHER		08
05	0503010244	7/16" NUT		08
06	0511016489	DISTRIBUTOR AXLE CONDUCTOR DISC		01
07	0501010536	KEYWAY SQUARE		01
08	0502011361	REEL 1C 5.5" X 1.1" PULLEY		01
09	0511014052	FLAT WASHER		01
10	0503010237	3/8" X 1" BOLT		01

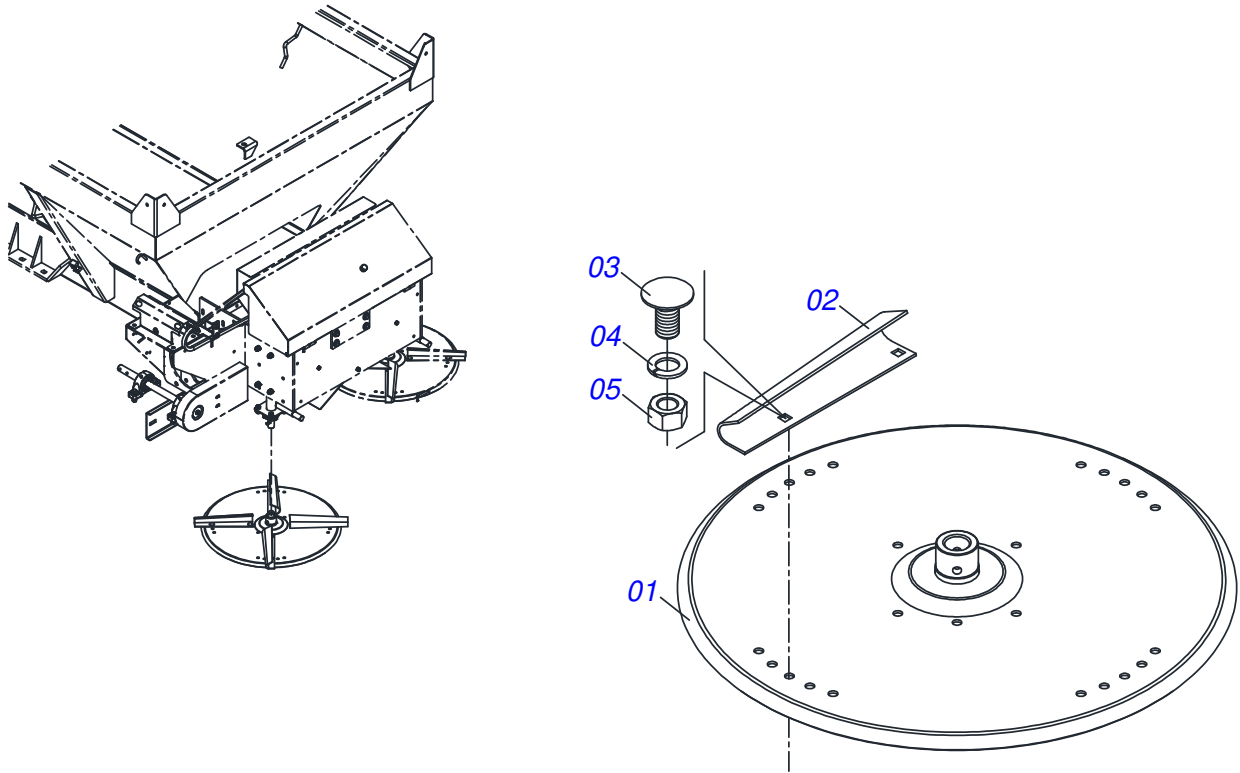


Item	Code	Description	See page	QT
01	0502011442	AGRICULTURAL HOUSING BEARING		01
02	0503010276	6206 BALL BEARING		01
03	0503011865	SEAL		01
04	0503010002	1800 GREASE FITTING		01

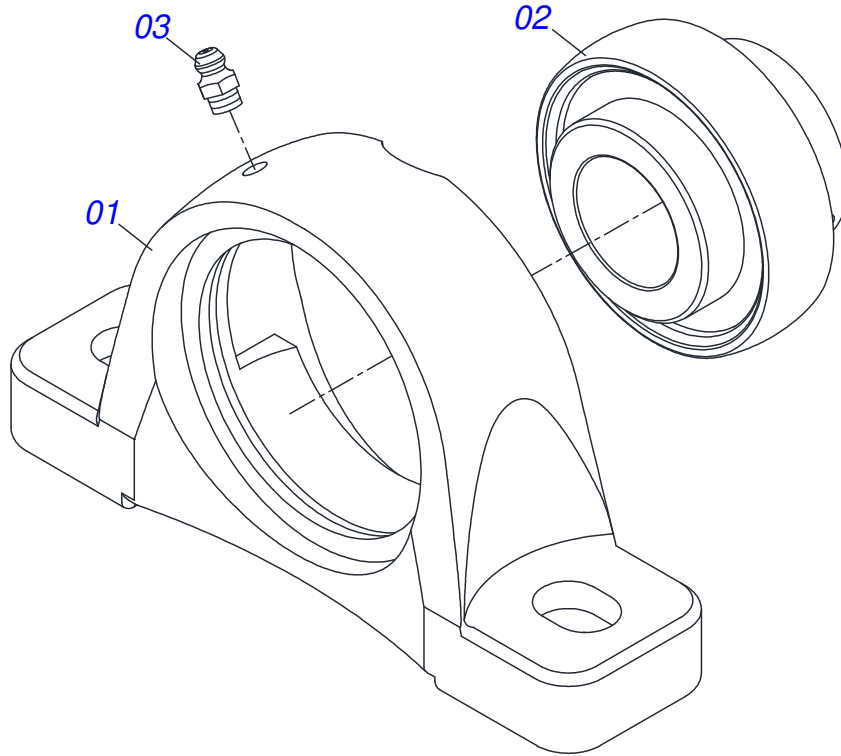




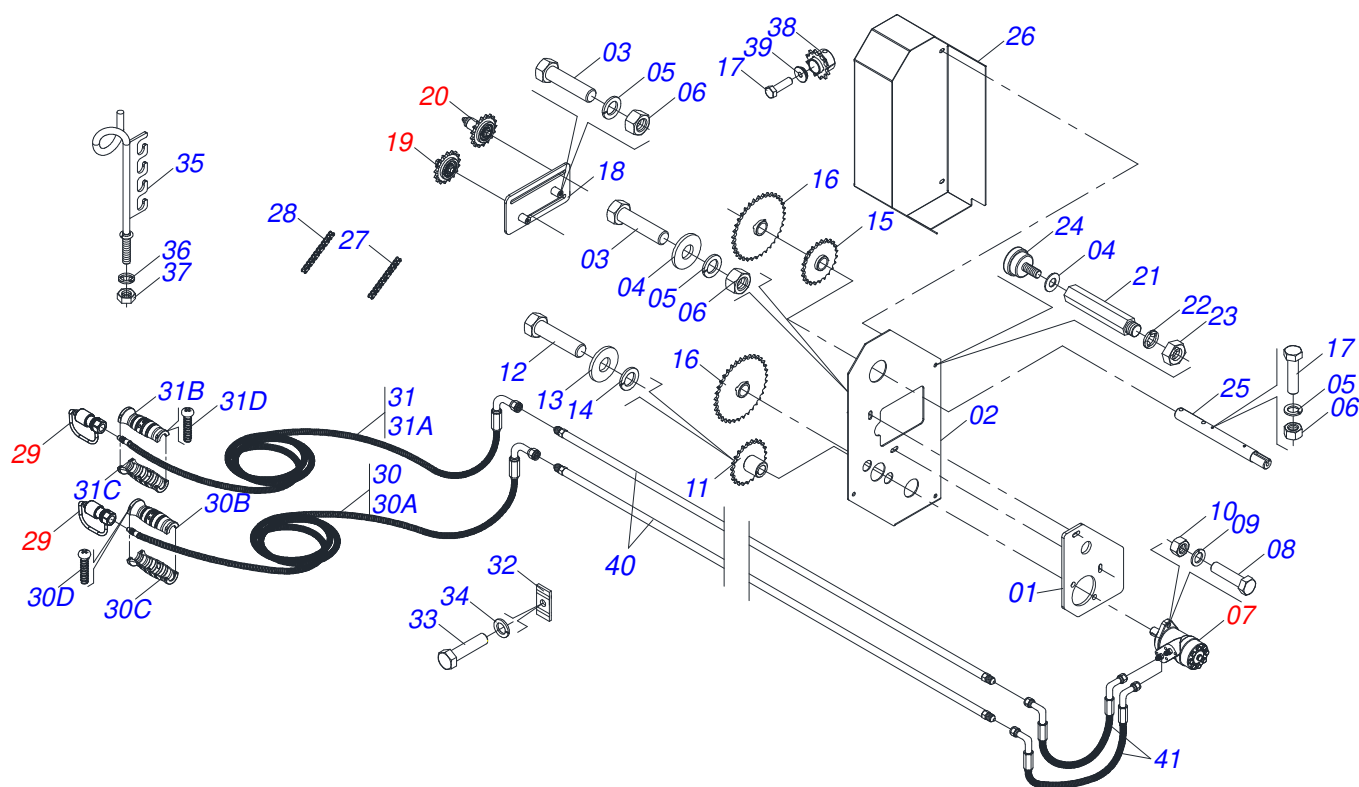
Item	Code	Description	See page	QT
01	0511063411	DISTRIBUTOR DISC		01
02	0531014343	RH FLIP		04
03	0503013029	3/8" X 3/4" BOLT		08
04	0503011443	3/8" SPRING WASHER		08
05	0503010026	3/8" NUT		08



Item	Code	Description	See page	QT
01	0511063411	DISTRIBUTOR DISC		01
02	0531014344	LH FLIP		04
03	0503013029	3/8" X 3/4" BOLT		08
04	0503011443	3/8" SPRING WASHER		08
05	0503010026	3/8" NUT		08



Item	Code	Description	See page	QT
01	0502011954	AGRICULTURAL HOUSING BEARING		01
02	0503011884	BALL BEARING		01
03	0503010691	1/4" GREASE FITTING		01



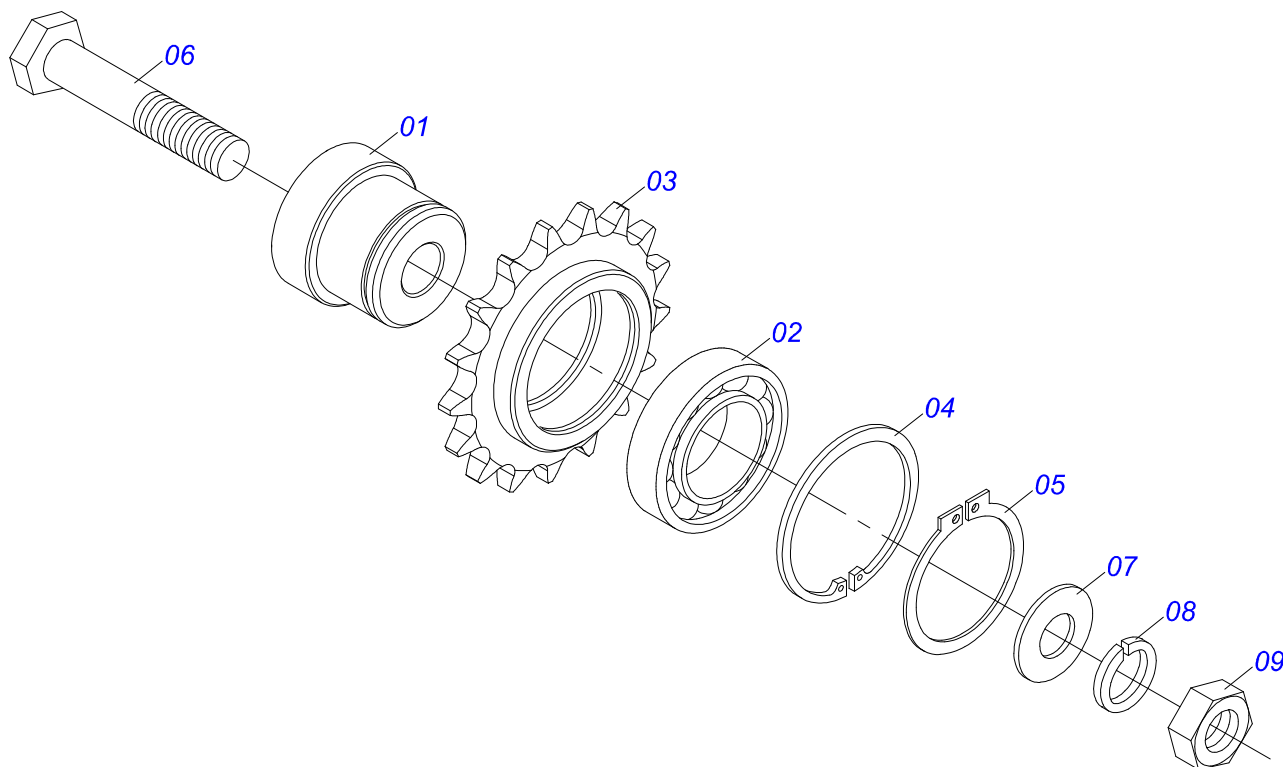
Item	Code	Description	See page	QT
01	0571015182	HIDRAULIC MOTOR SUPPORT		01
02	0571015456	PROTECTION REAR		01
03	0503010849	3/8" X 1-1/2" BOLT		04
04	0501010984	10,50 X 27 X 3,00 FLAT WASHER		07
05	0503011443	3/8" SPRING WASHER		05
06	0503010026	3/8" NUT		09
07	0511053588	MOTOR HYDRAULIC OMP 80 WITH NIPPLE 7/8 NIPPE 7/8		01
08	0503010920	1/2 UNC X 1.1/2 C S G.5 ZN BOLT		02
09	0503011440	SPRING WASHER		02
10	0503010060	1/2 UNC G.5 ZN HEX NUT		02
11	0521064566	GEAR HIDRAULIC MOTOR		01
12	0503011257	M 8 X 1,25 X 30 BOLT		01
13	0501010694	FLAT WASHER		01
14	0503011444	SPRING WASHER		01
15	0521063041	GEAR 23Z		01
16	0501069020	35Z GEAR		02
17	0503011141	3/8" X 2-3/4" BOLT		04
18	0521064691	SUPPORT TENSIONER		01
19	0511054496	TENSIONER SMALEER ASSY	16	01
20	0511054497	TENSIONER LARGER ASSY	17	01
21	0571015189	PRISONER 3/8"		03
22	0503010025	3/8 SPRING WASHER		03
23	0503010026	3/8" NUT		03
24	0503010386	CABLE		03
25	0571015190	DRIVE AXLE		01
26	0571015457	CHAIN CAP		01
27	0503013061	50-1 CHAIN X 64 LINK + REDUCTION		01
28	0503013003	50-1 CHAIN X 79 LINK + REDUCTION + MENDING		01
29	0501053834	MALE QUICK COUPLER	18	02
30	0521055709	HOSE 1/2 X 2600 TR-TM YELLOW/BLUE		01
30A	0501080246	TR-TM HOSE ASSY		01



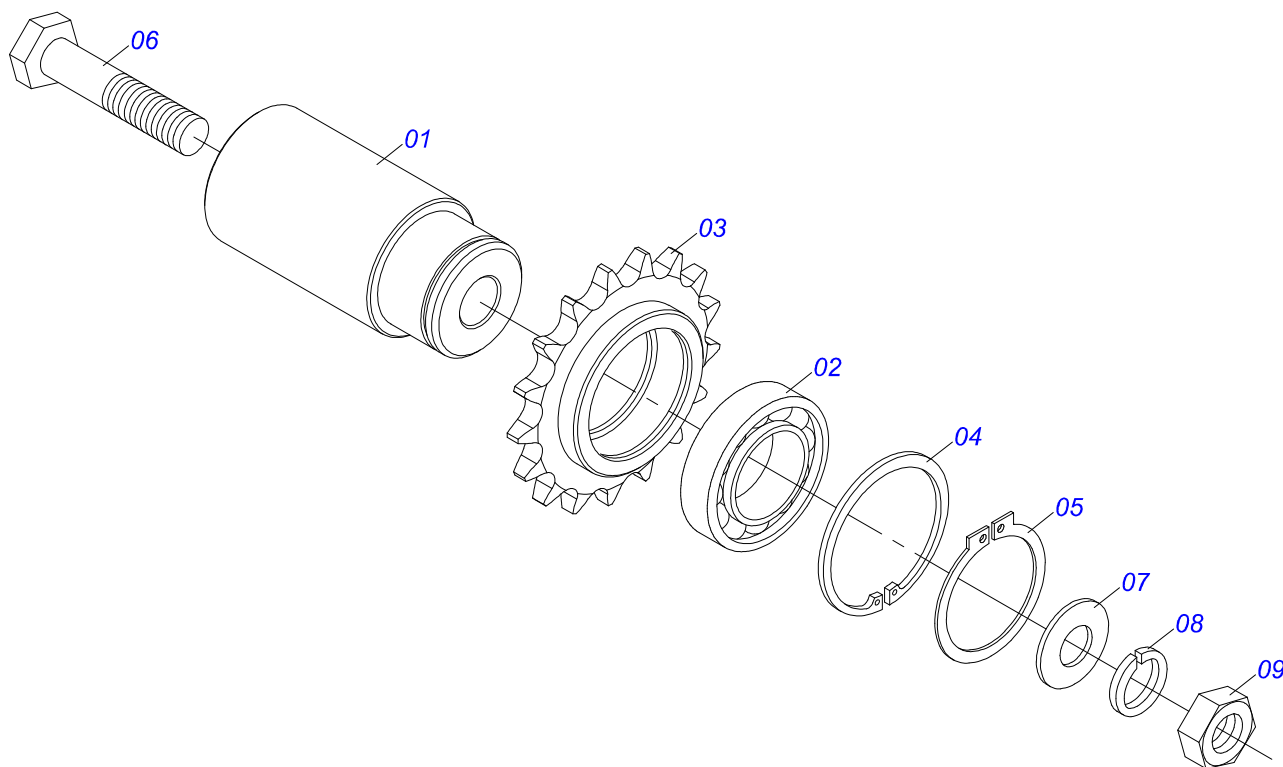
HYDRAULIC DRIVE ASSEMBLY

0511054749

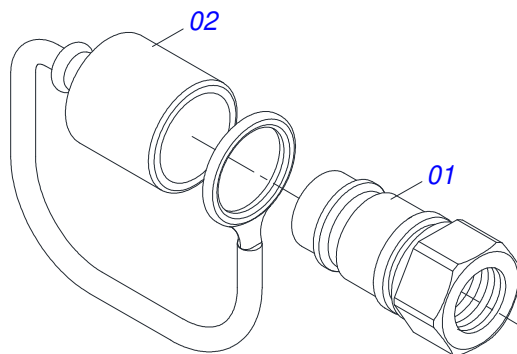
Item	Code	Description	See page	QT
30B	0503034493	HYDRAULIC HOSE DEPTH (YELLOW)		01
30C	0503034494	HYDRAULIC HOSE GRIP (BLUE)		01
30D	0503018952	PLASTIC BOLT		06
31	0521055710	HOSE 1/2 X 2600 TR-TMYELLOW / BLUE		01
31A	0501080246	TR-TM HOSE ASSY		01
31B	0503034493	HYDRAULIC HOSE DEPTH (YELLOW)		01
31C	0503034495	HYDRAULIC HOSE GRIP (RED)		01
31D	0503018952	PLASTIC BOLT		06
32	0531011180	UPPER BODY CLIP		05
33	0503012555	SCREW 7/16 UNC X 2 CS RT G.7 ZN		05
34	0503010180	7/16" SPRING WASHER		05
35	0501060409	HOSE SOPPORT ASSY		01
36	0503010023	3/4" SPRING WASHER		01
37	0503010014	3/4" HEX NUT		01
38	0501069017	12Z GEAR		01
39	0581011125	LOCK WASHER		01
40	0521066604	OIL TUBE		02
41	0501081512	HOSE1/2 X 800 TC-TC 90G		02



Item	Code	Description	See page	QT
01	0571015185	AXLE TIGHTENER 26		01
02	0503011410	ROLLER BEARING		01
03	0511061836	17Z GEAR		01
04	0503011105	SEAL RING		01
05	0503010406	501025 CLAMPING RING (FOR AXLE)		01
06	0501010096	3/8" X 2" BOLT		01
07	0501010984	10,50 X 27 X 3,00 FLAT WASHER		01
08	0503010025	3/8 SPRING WASHER		01
09	0503010026	3/8" NUT		01

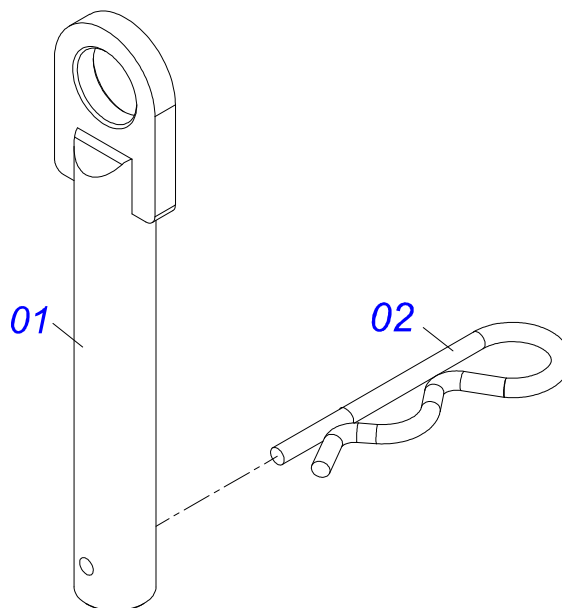


Item	Code	Description	See page	QT
01	0571015186	AXLE TIGHTENER 26		01
02	0503011410	ROLLER BEARING		01
03	0511061836	17Z GEAR		01
04	0503011105	SEAL RING		01
05	0503010406	501025 CLAMPING RING (FOR AXLE)		01
06	0503010718	3/8" X 3-1/2" BOLT		01
07	0501010984	10,50 X 27 X 3,00 FLAT WASHER		01
08	0503010025	3/8 SPRING WASHER		01
09	0503010026	3/8" NUT		01

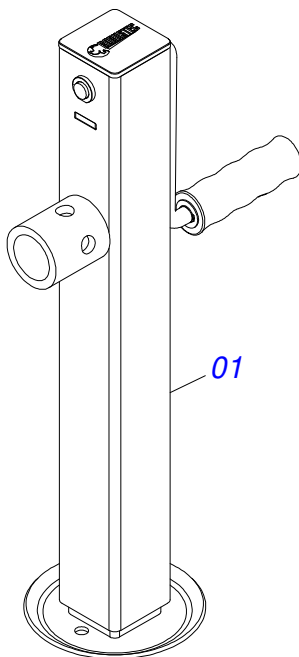


Item	Code	Description	See page	QT
01	0503011627	MALE QUICK COUPLER AGR 1/2 NPT		01
02	0503011882	MALE QUICK COUPLER CAP		01

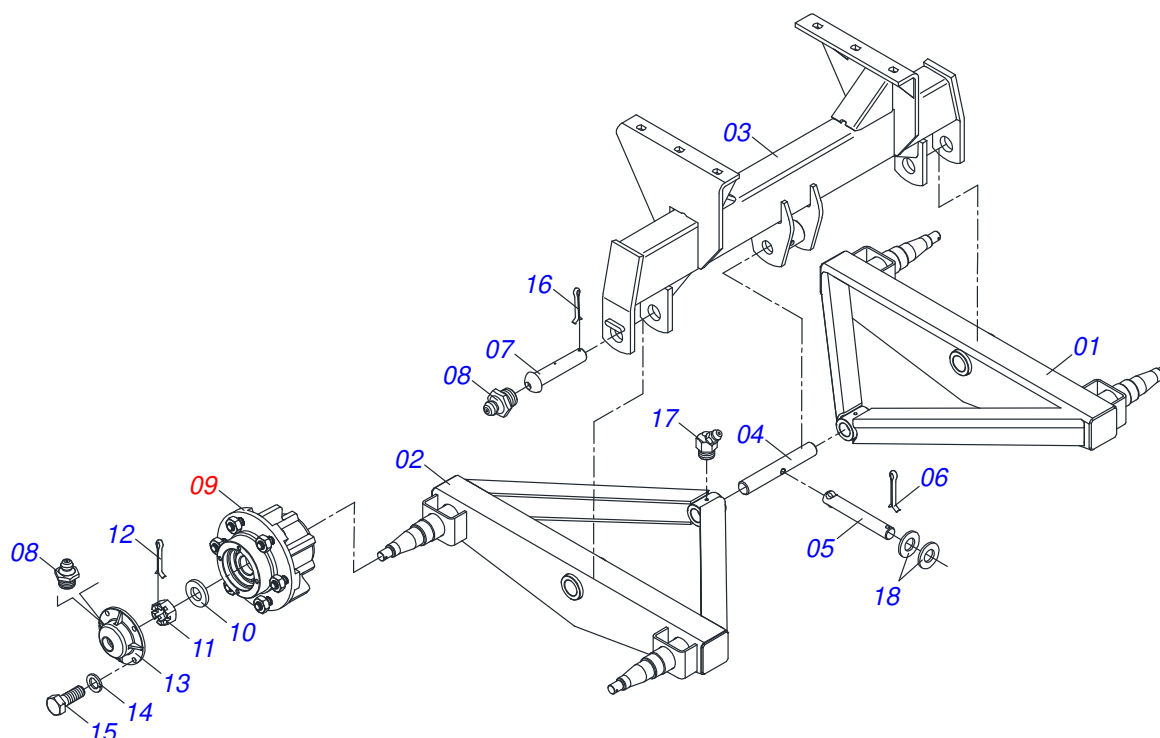




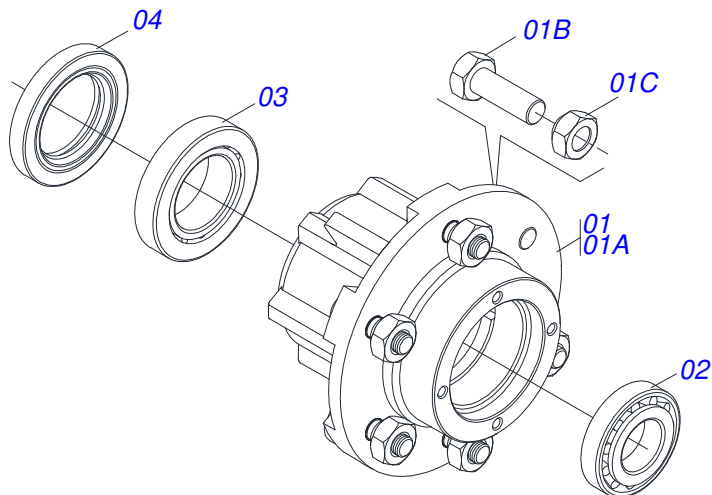
Item	Code	Description	See page	QT
01	0501068989	COUPLING SHAFT		01
03	0503031035	HITCH PIN CLIP		01



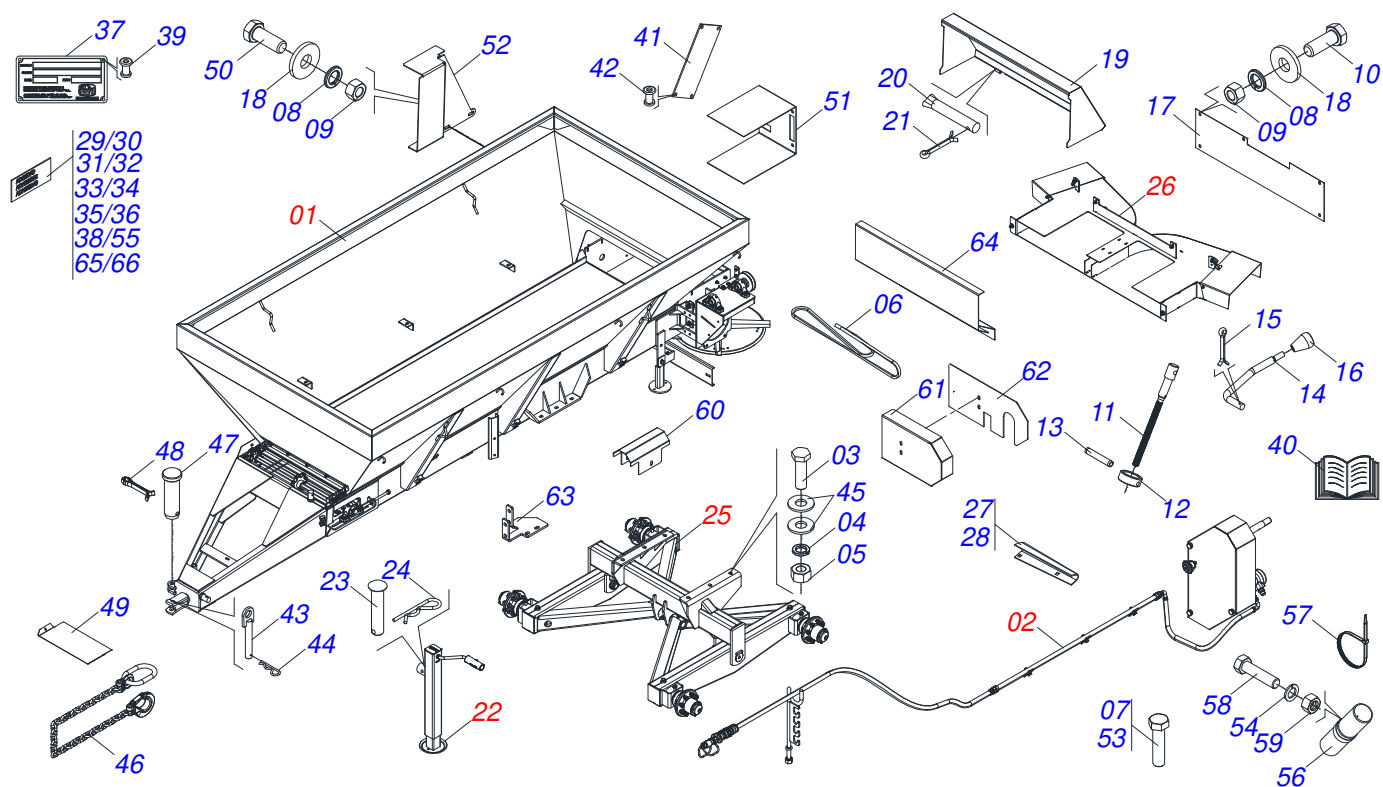
Item	Code	Description	See page	QT
01	0503062157	DRAWBAR JACK	20	01



Item	Code	Description	See page	QT
01	0501069182	RIGHT ROCKER ARM		01
02	0501069183	LEFT ROCKER ARM		01
03	0511063405	BELL CRANK FIXATION SUPPORT		01
04	0521011118	COUPLING SHAFT		01
05	0521010553	0.5" X 3" COUPLING SHAFT		01
06	0503010257	1/8" X 1" COTTERPIN		01
07	0521010956	PIVOT SHAFT		02
08	0503010002	1800 GREASE FITTING		06
09	0501051142	CARRYING WHEEL HUB	22	04
10	0501016545	FLAT WASHER		04
11	0503030009	1" CASTLE NUT		04
12	0503010131	3/16" X 1-1/2" COTTERPIN		04
13	0502020591	PROTECCION COVER		04
14	0503011444	SPRING WASHER		16
15	0503010358	5/16" X 5/8" BOLT		16
16	0503010534	3/8 X 2-1/2 COTTERPIN		02
17	0503010003	1845 GREASE FITTING		02
18	0511017302	FLAT WASHER 13,50 X 32,50 X 3,0 ZN		02



Item	Code	Description	See page	QT
01	0501110728	WHEEL HUB		01
01A	0502011121	CARRYING WHEEL HUB		01
01B	0501010127	9/16" X 1-7/8" LUG BOLT		06
01C	0503010035	9/16" CONIC NUT		06
02	0503010037	30207 ROLLER BEARING		01
03	0503010006	32210 ROLLER BEARING		01
04	0503012928	SEAL		01



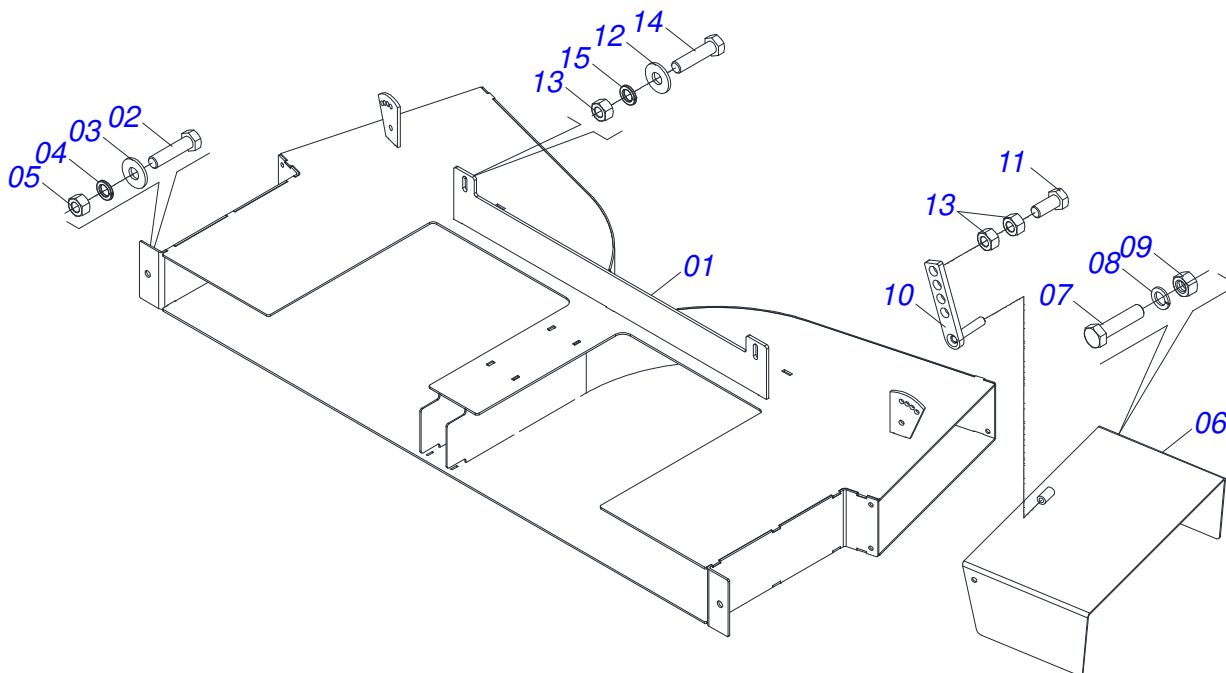
Item	Code	Description	See page	QT
01	0521055692	FRAME WITH BUCKET	25	01
02	0511054749	HYDRAULIC DRIVE ASSEMBLY	15	01
03	0503010899	5/8 UNC X 2.1/4 BOLT		06
04	0503010027	5/8 SPRING WASHER		06
05	0503010013	5/8 NUT		06
06	0503012941	C-148 BELT		01
07	0503010751	C3/8" X 1.1/4" HEX BOLT G.5		02
08	0503010025	3/8 SPRING WASHER		13
09	0503010026	3/8" NUT		11
10	0503010237	3/8" X 1" BOLT		11
11	0561014861	REGULATOR		01
12	0511013015	SLEEVE		01
13	0503010561	SPRING PIN		01
14	0521011107	CRANK BODY		01
15	0503010257	1/8" X 1" COTTERPIN		01
16	0503030878	LEVER CRANK		01
17	0531014340	REAR PROTECTION		01
18	0501010984	10,50 X 27 X 3,00 FLAT WASHER		13
19	0511063408	REAR COVER PROTECTION		01
20	0501017574	0.3" X 2.7" AXLE		02
21	0503010140	1/8" X 3/4" COTTERPIN		02
22	0503062157	DRAWBAR JACK	20	01
23	0521010549	COUPLING SHAFT		01
24	0503030168	HITCH PIN CLIP		01
25	0511040826	ROCKER ARM SUPPORT	21	01
26	0521055686	SEMI MOUNTED DRIVER	24	01
27	0531014343	RH FLIP		04
28	0531014344	LH FLIP		04
29	0503035165	ADHESIVE LABEL		02
30	0503031859	ADHESIVE LABEL DANGER		02
31	0503031428	READ MANUAL DECAL		01



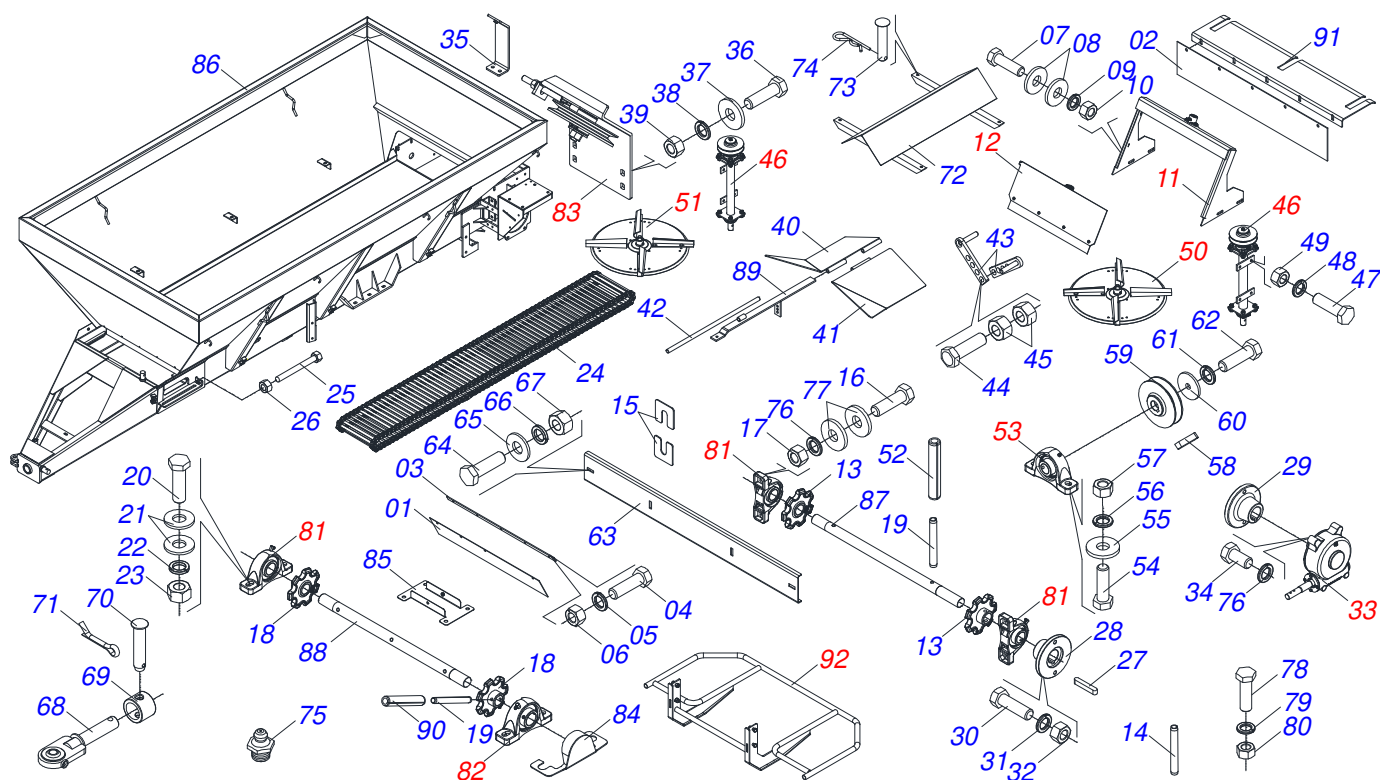
ASSY FRAME

0521045611

Item	Code	Description	See page	QT
32	0503031827	LUBRICATE AND RETIGHTEN DAILY DECAL		01
33	0503031087	ADHESIVE LABEL		01
34	0503031818	ADHESIVE LABEL		01
35	0503031809	ADHESIVE LABEL		01
36	0503032425	ADHESIVE LABEL ATTENTION		01
37	0503034003	SERIAL NUMBER TAG 61 X 118		01
38	0503032949	ADHESIVE LABEL		01
39	0503010001	3.2 X 5.5 RIVET		04
40	0501036432	CAT BAG / MANUAL		01
41	0503030751	REGULATOR PLATE		01
42	0503012209	RIVET POP		04
43	0501068989	COUPLING SHAFT		01
44	0503031035	HITCH PIN CLIP		01
45	0501012140	FLAT WASHER		12
46	0503013150	1300 X 3/8 CHAIN		01
47	0581011220	COUPLING SHAFT		01
48	0503010131	3/16" X 1-1/2" COTTERPIN		01
49	0581013215	FRONT PROTECTION		01
50	0503010849	3/8" X 1-1/2" BOLT		06
51	0581017453	FLANGE PROTECTION COVER		01
52	0581017469	PROTECTION SIDE		01
53	0503010240	BOLT		02
54	0503010179	LOCK WASHER 5/16 ZN 1K01528		03
55	0503034648	ADHESIVE LABEL		01
56	0503060100	INSTRUCTIONS MANUAL CANISTER		01
57	0503010267	NYLON CLAMP		01
58	0503010363	BOLT 5/16 UNC X 1 C S G.2 ZN		01
59	0503010337	5/16" NUT		01
60	0581015152	COVER PROTECTION		01
61	0581017450	BELT SIDE PROTECTOR		01
62	0521068792	COVER PROTECTION		01
63	0521068801	SUPPORT BELT PROTECTION		01
64	0521068794	BELT INTERNAL PROTECTION		01
65	0503035156	LABEL ADHESIVE		01
66	0503036144	MAXIMUM SPEED ADHESIVE LABEL		01



Item	Code	Description	See page	QT
01	0511064253	CONTROLLER		01
02	0503010395	1/2" X 1-1/4" BOLT		02
03	0511017302	FLAT WASHER 13,50 X 32,50 X 3,0 ZN		02
04	0503010019	1/2" SPRING WASHER		02
05	0503010060	1/2 UNC G.5 ZN HEX NUT		02
06	0511064254	CONTROLLER SPOUT		02
07	0503010240	BOLT		04
08	0503010179	LOCK WASHER 5/16 ZN 1K01528		04
09	0503010337	5/16" NUT		04
10	0501067368	DIVISOR REGULATOR OPEN		02
11	0503010751	C3/8" X 1.1/4" HEX BOLT G.5		02
12	0501010984	10,50 X 27 X 3,00 FLAT WASHER		02
13	0503010026	3/8" NUT		06
14	0503010849	3/8" X 1-1/2" BOLT		02
15	0503010025	3/8 SPRING WASHER		02



Item	Code	Description	See page	QT
01	0531014336	31.4"X3.1"X 0.1" PROTECTION SMALLER		01
02	0531014337	PROTECTION LARGER		02
03	0531014331	SLUICE VALVE FIXER COVER		01
04	0503010237	3/8" X 1" BOLT		11
05	0503011443	3/8" SPRING WASHER		11
06	0503010026	3/8" NUT		11
07	0503010751	C3/8" X 1.1/4" HEX BOLT G.5		04
08	0501010984	10,50 X 27 X 3,00 FLAT WASHER		08
09	0503011443	3/8" SPRING WASHER		04
10	0503010026	3/8" NUT		04
11	0511059105	SLUICE VALVE SUPPORT	4	01
12	0511059108	SLUICE VALVE COVER ASSY	6	01
13	0502040728	7Z GEAR		03
14	0503010361	SPRING PIN		03
15	0501010794	HIDR CHOCK REGULATOR		04
16	0503010233	5/8" X 2-1/2" BOLT		04
17	0503010013	5/8 NUT		04
18	0502040728	7Z GEAR		03
19	0503010361	SPRING PIN		03
20	0503010740	BOLT 1/2 UNC X 2 CS G.5 ZN		04
21	0511017302	FLAT WASHER 13,50 X 32,50 X 3,0 ZN		04
22	0503011440	SPRING WASHER		04
23	0503010060	1/2 UNC G.5 ZN HEX NUT		04
24	0511063406	DRIVE THE TRANSPORT TALISCA		01
25	0501067853	ROD STABILIZER		02
26	0503010013	5/8 NUT		02
27	0501010540	KEYWAY SQUARE		02
28	0511016540	MAT COUPLING FLANGE		01
29	0511016541	REDUCTION COUPLING FLANGE		01
30	0503010849	3/8" X 1-1/2" BOLT		02
31	0503011443	3/8" SPRING WASHER		02





Item	Code	Description	See page	QT
32	0503010026	3/8" NUT		02
33	0501047985	REDUCER	8	01
34	0503011167	M16 X 2 X 30 BOLT		04
35	0511063668	REAR FIXER COVER		01
36	0503010920	1/2 UNC X 1.1/2 C S G.5 ZN BOLT		04
37	0511017302	FLAT WASHER 13,50 X 32,50 X 3,0 ZN		04
38	0503011440	SPRING WASHER		04
39	0503010060	1/2 UNC G.5 ZN HEX NUT		04
40	0511063659	RIGHT FLOW DIVIDING		01
41	0511063660	LEFT FLOW DIVIDING		01
42	0531015309	TENSIONER OPEN		01
43	0501067368	DIVISOR REGULATOR OPEN		02
44	0503010849	3/8" X 1-1/2" BOLT		01
45	0503010026	3/8" NUT		02
46	0501054013	RIGHT BEARRING SUPPORT DISC	10	02
47	0503010920	1/2 UNC X 1.1/2 C S G.5 ZN BOLT		08
48	0503011440	SPRING WASHER		08
49	0503010060	1/2 UNC G.5 ZN HEX NUT		08
50	0501058675	DISTRIBUTOR LEFT DISC ASSY	26	01
51	0501058677	DISTRIBUTOR RIGHT DISC ASSY	27	01
52	0503010361	SPRING PIN		02
53	0511041213	AGRICULTURAL BEARING	14	02
54	0503010740	BOLT 1/2 UNC X 2 CS G.5 ZN		04
55	0511017302	FLAT WASHER 13,50 X 32,50 X 3,0 ZN		04
56	0503011440	SPRING WASHER		04
57	0503010060	1/2 UNC G.5 ZN HEX NUT		04
58	0501010536	KEYWAY SQUARE		01
59	0502011361	REEL 1C 5.5" X 1.1" PULLEY		01
60	0511014052	FLAT WASHER		01
61	0503011446	SPRING WASHER		01
62	0503010355	7/16" X 1" BOLT		01
63	0531014338	BAMPER		01
64	0503010920	1/2 UNC X 1.1/2 C S G.5 ZN BOLT		02
65	0511017302	FLAT WASHER 13,50 X 32,50 X 3,0 ZN		02
66	0503011440	SPRING WASHER		02
67	0503010060	1/2 UNC G.5 ZN HEX NUT		02
68	0521068793	TRACTOR TRACTOR		01
69	0521010681	BUSHING COUPLING BODY		01
70	0521010639	COUPLING SHAFT		01
71	0503010571	1/4" X 1.1/2 COTTERPIN		01
72	0511063658	DEFLECTOR		01
73	0521017623	0.5" X 1.5" COUPLING SHAFT		04
74	0503030168	HITCH PIN CLIP		04
75	0503011098	1/4" GREASE FITTING		04
76	0503011445	SPRING WASHER		16
77	0501012140	FLAT WASHER		08
78	0503011267	5/8 UNC X 1.1/2 C S G.5 ZN BOLT		02
79	0503010013	5/8 NUT		02
80	0503011445	SPRING WASHER		02
81	0501044308	AGRICULTURAL BEARING ASSY	7	02
82	0501044308	AGRICULTURAL BEARING ASSY	7	02
83	0501053868	BELT TENSIONER ASSY	9	01
84	0521068822	BEARING PROTECTION		03
85	0521068109	FIXER PROTECTION COVER		01
86	0511063403	BUCKET		01
87	0531014346	MOTOR SHAFT		01
88	0531014345	DRIVEN AXLE		01
89	0531061725	REAR DEFLECTOR SUPPORT		01
90	0503010756	0.2" X 2.4" SPRING PIN		06

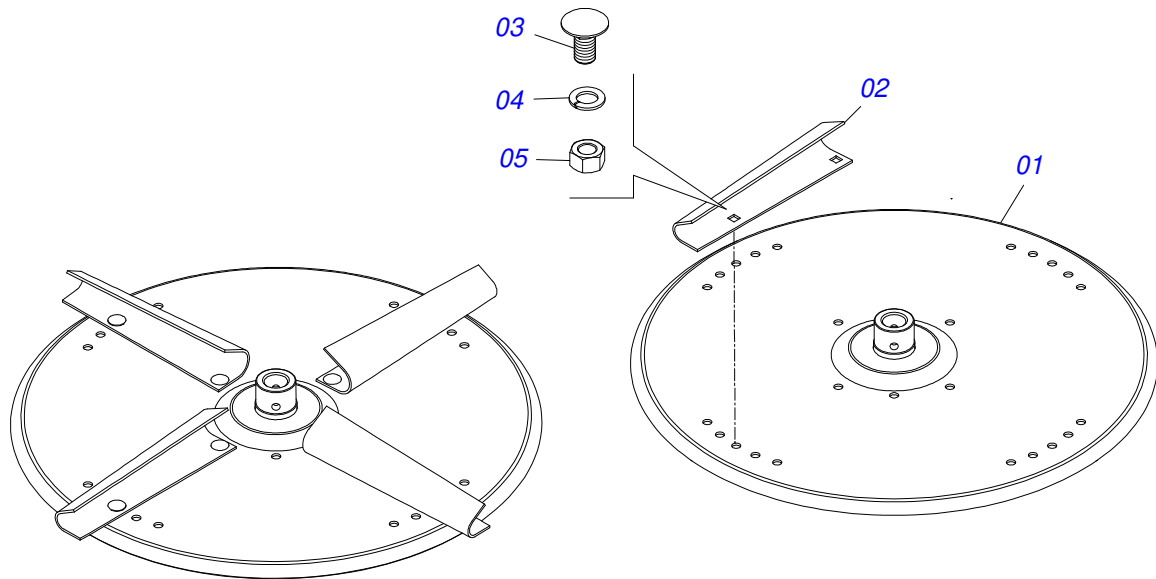


**DCCO 5500 MC WITH HYDRAULIC DRIVE**  
**FRAME WITH BUCKET**

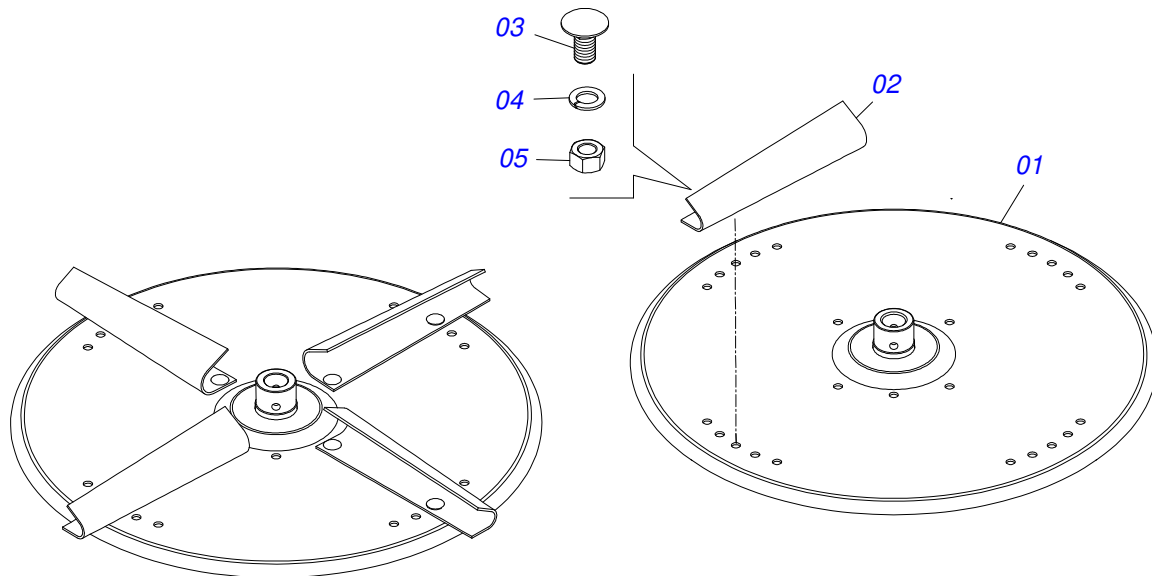
Page 25

0521055692

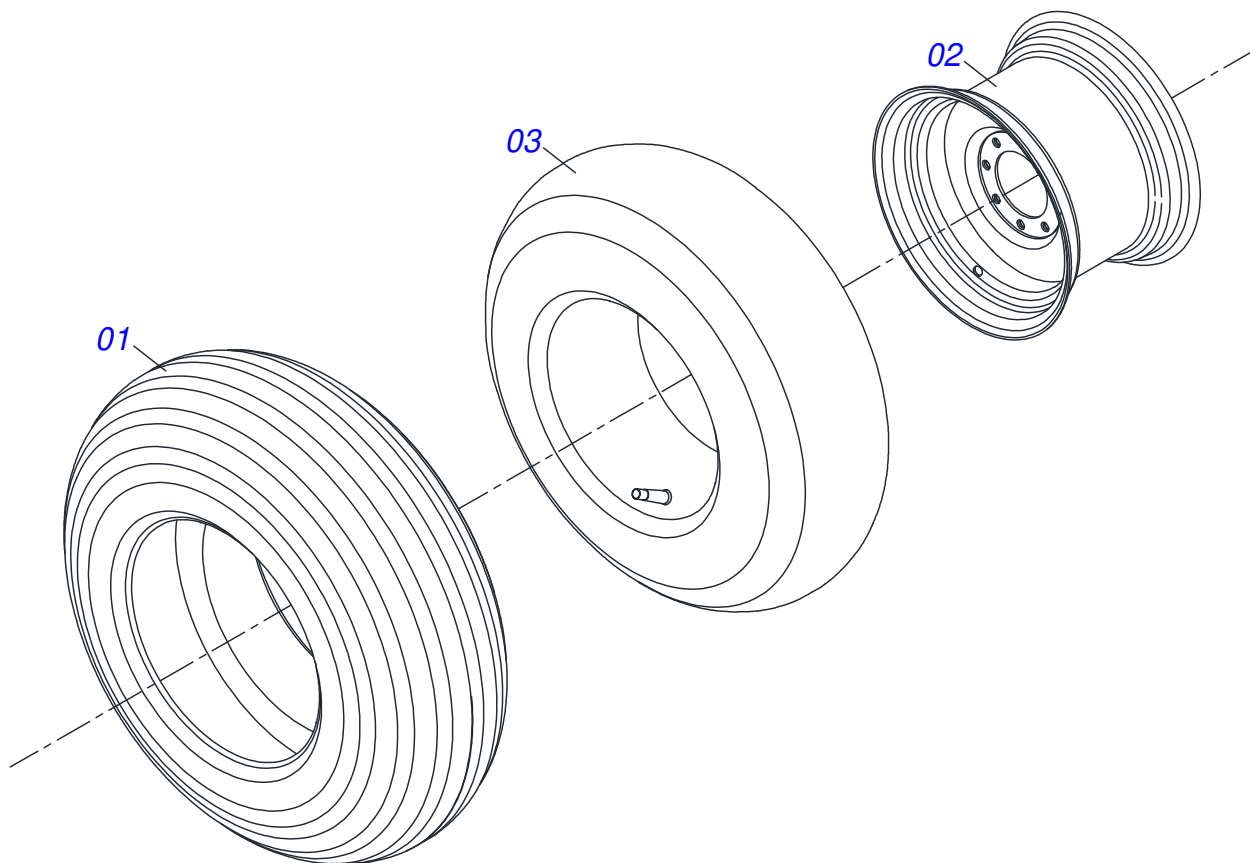
<b>Item</b>	<b>Code</b>	<b>Description</b>	<b>See page</b>	<b>QT</b>
91	0531014324	TOOTH COVER		01
92	0531050244	PROTECTOR DISC		01



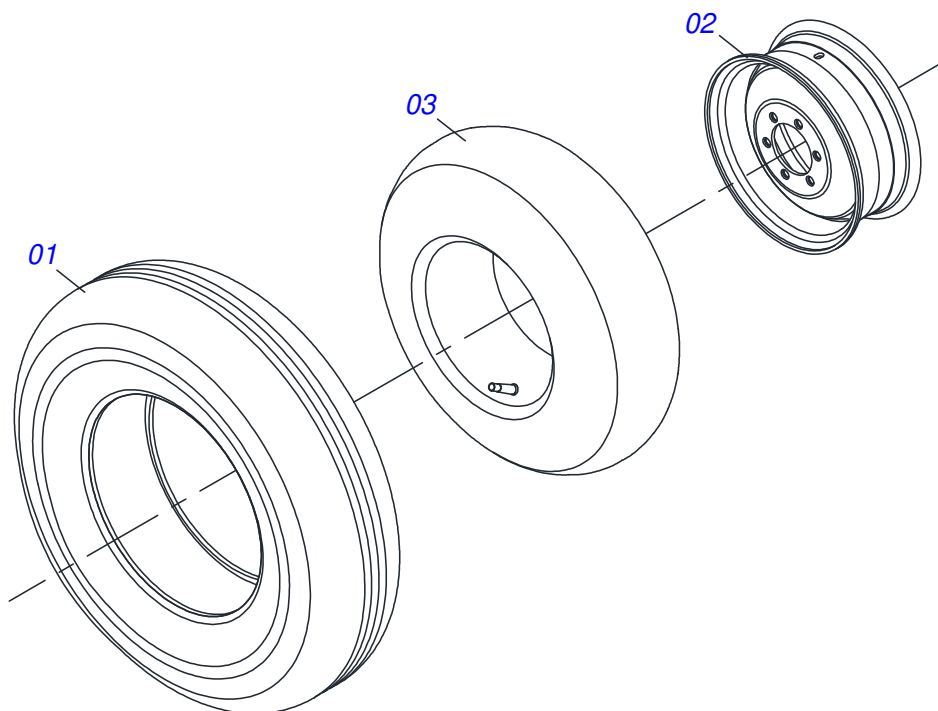
Item	Code	Description	See page	QT
01	0511063411	DISTRIBUTOR DISC		01
02	0531014344	LH FLIP		04
03	0503013029	3/8" X 3/4" BOLT		08
04	0503011443	3/8" SPRING WASHER		08
05	0503010026	3/8" NUT		08



Item	Code	Description	See page	QT
01	0511063411	DISTRIBUTOR DISC		01
02	0531014343	RH FLIP		04
03	0503013029	3/8" X 3/4" BOLT		08
04	0503011443	3/8" SPRING WASHER		08
05	0503010026	3/8" NUT		08



Item	Code	Description	See page	QT
01	0503010858	CANVAS TIRE		01
02	0503011468	WEEL		01
03	0503010860	AIR CHAMBER 11L 15		01



Item	Code	Description	See page	QT
01	0503010120	CANVAS TIRE		01
02	0521062708	WHEEL 5,50 X 16 X 118 X 6F 16,50 X 152,40		01
03	0503010033	7.50 X 16 INNER TIRE		01

**ANNOTATION**



Lined writing area with horizontal lines for text input.





**MARCHESAN**

**Technical Publications | Elaboration and Revision**

LORENA ROCHA ALVES

[www.marchesan.com.br](http://www.marchesan.com.br)

