

CHASER BIN

DCCO 5500 MC

Code: 0501093173
Series: S-0901
Revision: 01
Date Revision: FEVEREIRO/2023

PARTS CATALOGUE



MARCHESAN



PRODUCTS

Code	Description
0109090035	DCCO 5500 MC S-0901
0109090055	DCCO 5500 MC C/ABAFADOR S-0901
0109090128	DCCO 5500 MC C/DIR PN 11L15 S-0901
0109090062	DCCO 5500 MC C/DIRECCIONADOR S-0901
0109090052	DCCO 5500 MC C/PNEUS 11L15 S-0901
0109090116	DCCO 5500 MC C/RODA S/PNEU S-0901
0109090083	DCCO 5500 MC S/PNEU S/RODA S-0901

ATTENTION: IMPORTANT

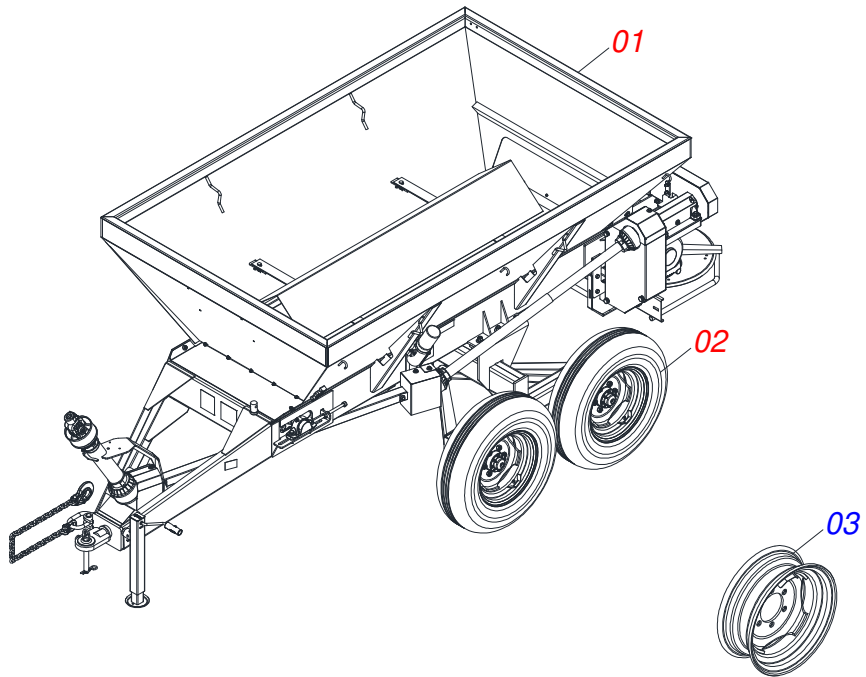
Marchesan S.A. reserves the right to improve and/or modify the technical features of its products, without obligation to do the same with those products already sold and without prior knowledge of the dealer or the customer. The photos are only illustrative.



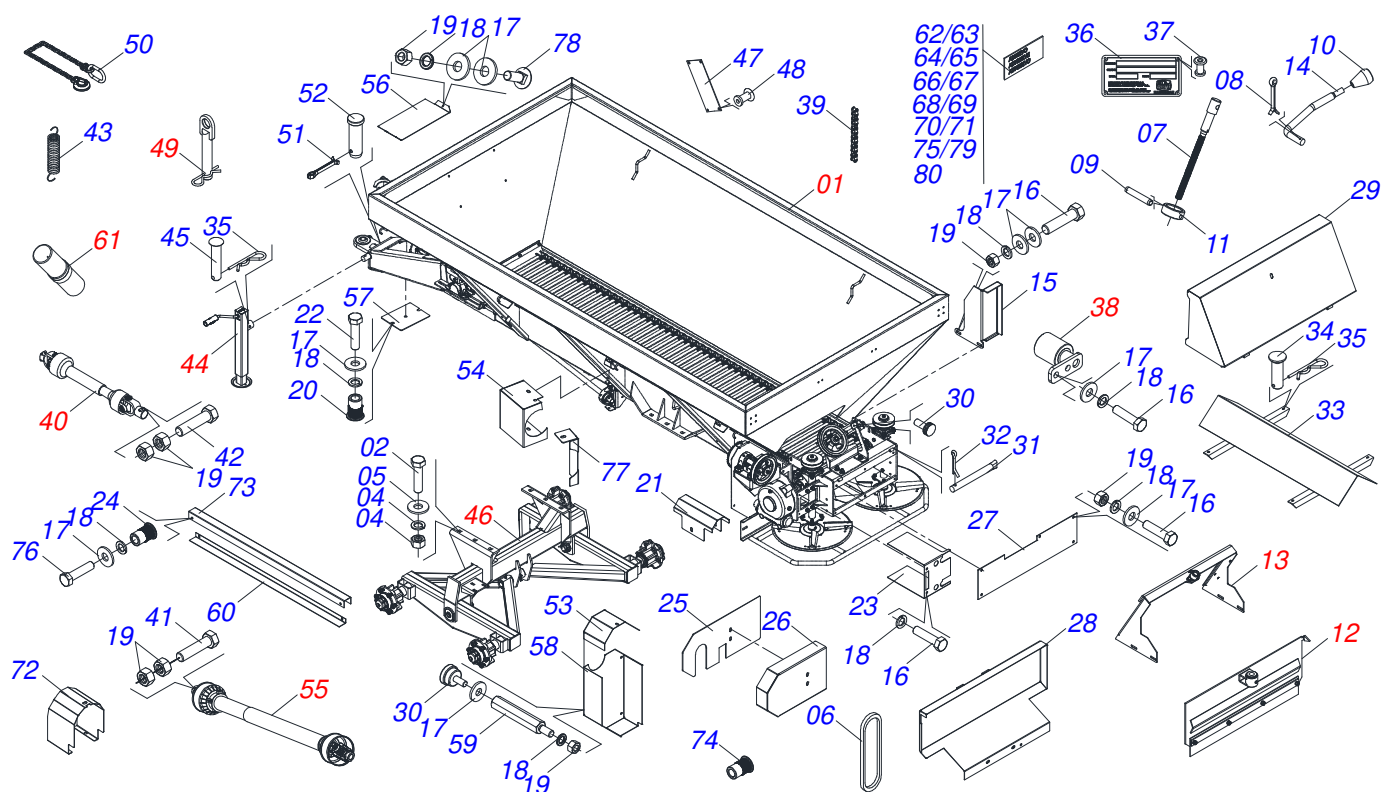
MARCHESAN

INDEX

0909096104	ASSY FRAME	1
0511040825	ASSY FRAME	2
0511059108	SLUICE VALVE COVER ASSY	3
0511059105	SLUICE VALVE SUPPORT	4
0511059094	SHAFT BEARING THREADED	5
0501050829	CHAIN TENSIONER	6
0501048241	DRIVE SHAFT	7
0503062157	DRAWBAR JACK	8
0511040826	ROCKER ARM SUPPORT	9
0501051142	CARRYING WHEEL HUB	10
0501047881	AXIS JOINT ASSY	11
0501048783	DRIVE SHAFT	12
0531050102	CATALOGUE/MANUAL CANISTER ASSY	13
0511042721	ASSY FRAME	14
0531052375	DAMPER	15
0501053865	BUCKET	16
0511041213	AGRICULTURAL BEARING	17
0501053868	BELT TENSIONER ASSY	18
0501047985	REDUCER	19
0501051774	38Z CROWN	20
0501044306	BATH BEARING	21
0501054013	RIGHT BEARRING SUPPORT DISC	22
0501048000	AGRICULTURAL BEARING	23
0501053870	DISTRIBUTOR RIGHT DISC ASSY	24
0501053871	DISTRIBUTOR LEFT DISC ASSY	25
0521053161	CARDAN SUPPORT WITHOUT SPRING	26
0521057116	FULL HITCH	27
0501044308	AGRICULTURAL BEARING ASSY	28
0531050089	FULL DISK PROTECTOR	29
0511042834	ASSY FRAME	30
0521055686	SEMI MOUNTED DRIVER	31
0521055687	BUCKET SEMI MOUNTED	32
0501058675	DISTRIBUTOR LEFT DISC ASSY	33
0501058677	DISTRIBUTOR RIGHT DISC ASSY	34
0503060181	WHEEL AND TIRE	35
0503060206	29.5"X0.6"- 10L WHEEL AND TIRE ASSY	36

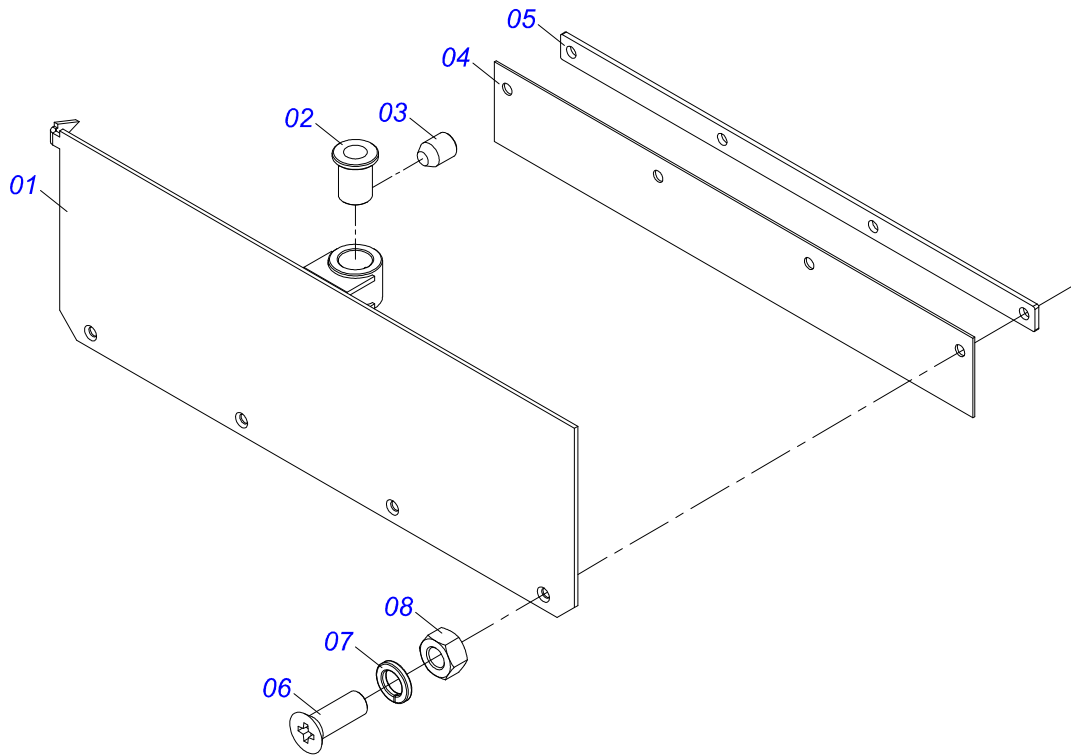


Item	Code	Description	See page	QT
01	0511040825	ASSY FRAME	2	01
01.	0511042721	ASSY FRAME	14	01
01..	0511042834	ASSY FRAME	30	01
02	0503060181	WHEEL AND TIRE	35	04
02.	0503060206	29.5"X0.6"- 10L WHEEL AND TIRE ASSY	36	04
03	0521062708	WHEEL 5,50 X 16 X 118 X 6F 16,50 X 152,40		04

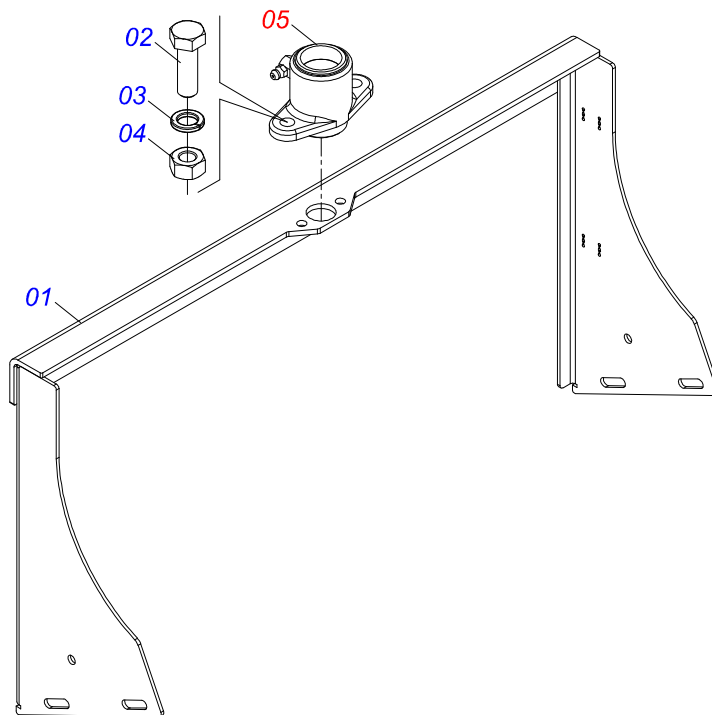


Item	Code	Description	See page	QT
01	0501053865	BUCKET	16	01
02	0503010899	5/8 UNC X 2.1/4 BOLT		06
03	0503010013	5/8 NUT		06
04	0503010027	5/8 SPRING WASHER		06
05	0501012140	FLAT WASHER		12
06	0503012941	C-148 BELT		01
07	0561014861	REGULATOR		01
08	0503010257	1/8" X 1" COTTERPIN		01
09	0503010561	SPRING PIN		01
10	0503030878	LEVER CRANK		01
11	0511013015	SLEEVE		01
12	0511059108	SLUICE VALVE COVER ASSY	3	01
13	0511059105	SLUICE VALVE SUPPORT	4	01
14	0521011107	CRANK BODY		01
15	0581017469	PROTECTION SIDE		01
16	0503010849	3/8" X 1-1/2" BOLT		04
17	0501010984	10,50 X 27 X 3,00 FLAT WASHER		38
18	0503010025	3/8 SPRING WASHER		38
19	0503010026	3/8" NUT		19
20	0503019416	RIVET SCREW THREAD INTERNAL		07
21	0581015152	COVER PROTECTION		01
22	0503010237	3/8" X 1" BOLT		22
23	0581017453	FLANGE PROTECTION COVER		01
24	0503019413	THREAD SCREW INTERNAL		04
25	0591016127	SIDE PROTECTION BELT COVER		01
26	0591016128	SIDE PROTECTION BELT		01
27	0531014340	REAR PROTECTION		01
28	0521068794	BELT INTERNAL PROTECTION		01
29	0511063408	REAR COVER PROTECTION		01
30	0503010386	CABLE		04
31	0501017574	0.3" X 2.7" AXLE		02

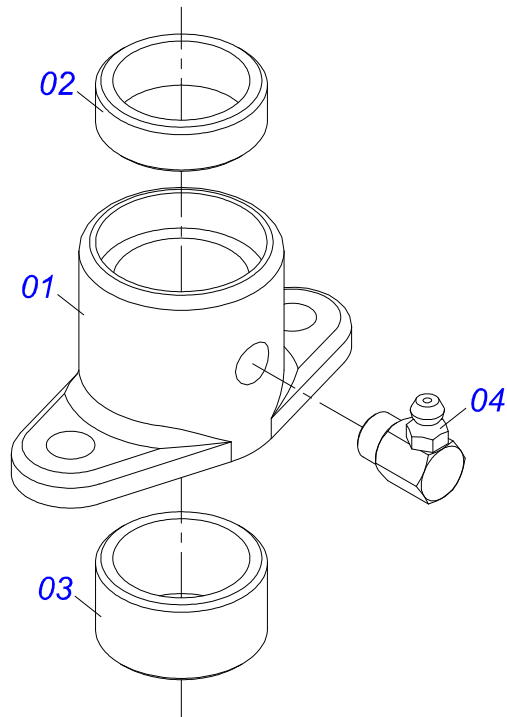
Item	Code	Description	See page	QT
32	0503010140	1/8" X 3/4" COTTERPIN		02
33	0511063658	DEFLECTOR		01
34	0521017623	0.5" X 1.5" COUPLING SHAFT		04
35	0503030168	HITCH PIN CLIP		05
36	0503034003	SERIAL NUMBER TAG 61 X 118		01
37	0503010001	3.2 X 5.5 RIVET		04
38	0501050829	CHAIN TENSIONER	6	01
39	0503013003	50-1 CHAIN X 79 LINK + REDUCTION + MENDING		01
40	0501048241	DRIVE SHAFT	7	01
41	0503011268	3/8" X 2-1/2" BOLT		02
42	0503010765	3/8" X 3" BOLT		01
43	0503030198	0.6" X 2.4" X 0.1" EXTENSION SPRING		01
44	0503062157	DRAWBAR JACK	8	01
45	0521010549	COUPLING SHAFT		01
46	0511040826	ROCKER ARM SUPPORT	9	01
47	0503030751	REGULATOR PLATE		01
48	0503012209	RIVET POP		04
49	0501047881	AXIS JOINT ASSY	11	01
50	0503013150	1300 X 3/8 CHAIN		01
51	0503010131	3/16" X 1-1/2" COTTERPIN		01
52	0581011220	COUPLING SHAFT		01
53	0581017494	TOP PROTECTION RECAMBIO		01
54	0521068818	BEARING PROTECTION		01
55	0501048783	DRIVE SHAFT	12	01
56	0581013215	FRONT PROTECTION		01
57	0581017488	LOWER PROTECTION BOARD CARDAN		01
58	0581017446	CHAIN CAP		01
59	0581017496	PRISONER 3/8 UNC X 5/16 UNC X 175		03
60	0581017465	PROTECTION FRONT COVER		01
61	0531050102	CATALOGUE/MANUAL CANISTER ASSY	13	01
62	0503031859	ADHESIVE LABEL DANGER		02
63	0503031428	READ MANUAL DECAL		01
64	0503031827	LUBRICATE AND RETIGHTEN DAILY DECAL		01
65	0503031087	ADHESIVE LABEL		01
66	0503031818	ADHESIVE LABEL		01
67	0503031809	ADHESIVE LABEL		01
68	0503032425	ADHESIVE LABEL ATTENTION		01
69	0503032949	ADHESIVE LABEL		01
70	0503035165	ADHESIVE LABEL		02
71	0503035166	ADHESIVE LABEL		02
72	0581017468	PROTECTION BODY		01
73	0581017466	AXLE PROTECTION COVER		01
74	0503019729	THREAD SCREW INTERNAL		04
75	0503035156	LABEL ADHESIVE		01
76	0503010256	3/8" X 3/4" BOLT		04
77	0591016145	PROTECTION BEARING COVER BACK		01
78	0501011643	3/8 X 1" BOLT		02
79	0503031427	ADHESIVE LABEL		01
80	0503036144	MAXIMUM SPEED ADHESIVE LABEL		01



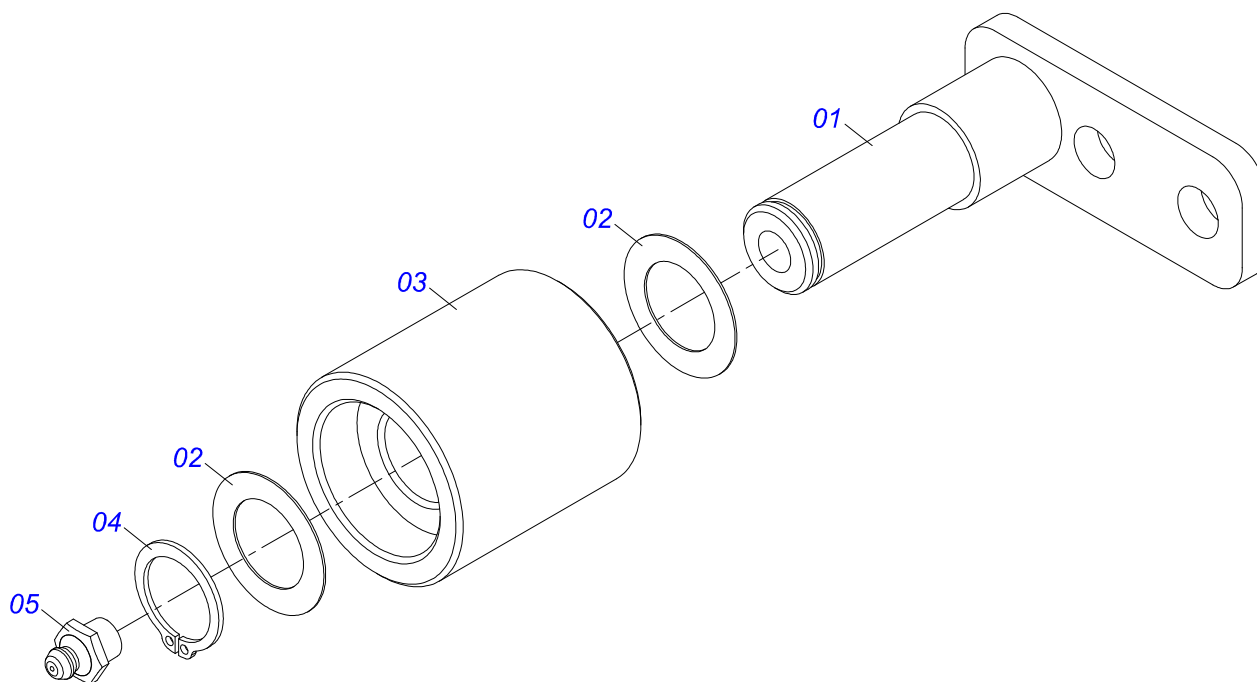
Item	Code	Description	See page	QT
01	0511063413	SLUICE VALVE COVER		01
02	0501019831	ADJUSTING NUT		01
03	0503011148	3/8" X 1/2" BOLT		01
04	0531014336	31.4"X3.1"X 0.1" PROTECTION SMALLER		01
05	0531014331	SLUICE VALVE FIXER COVER		01
06	0503010546	5/16" X 7/8" BOLT		05
07	0503011444	SPRING WASHER		05
08	0503010337	5/16" NUT		05



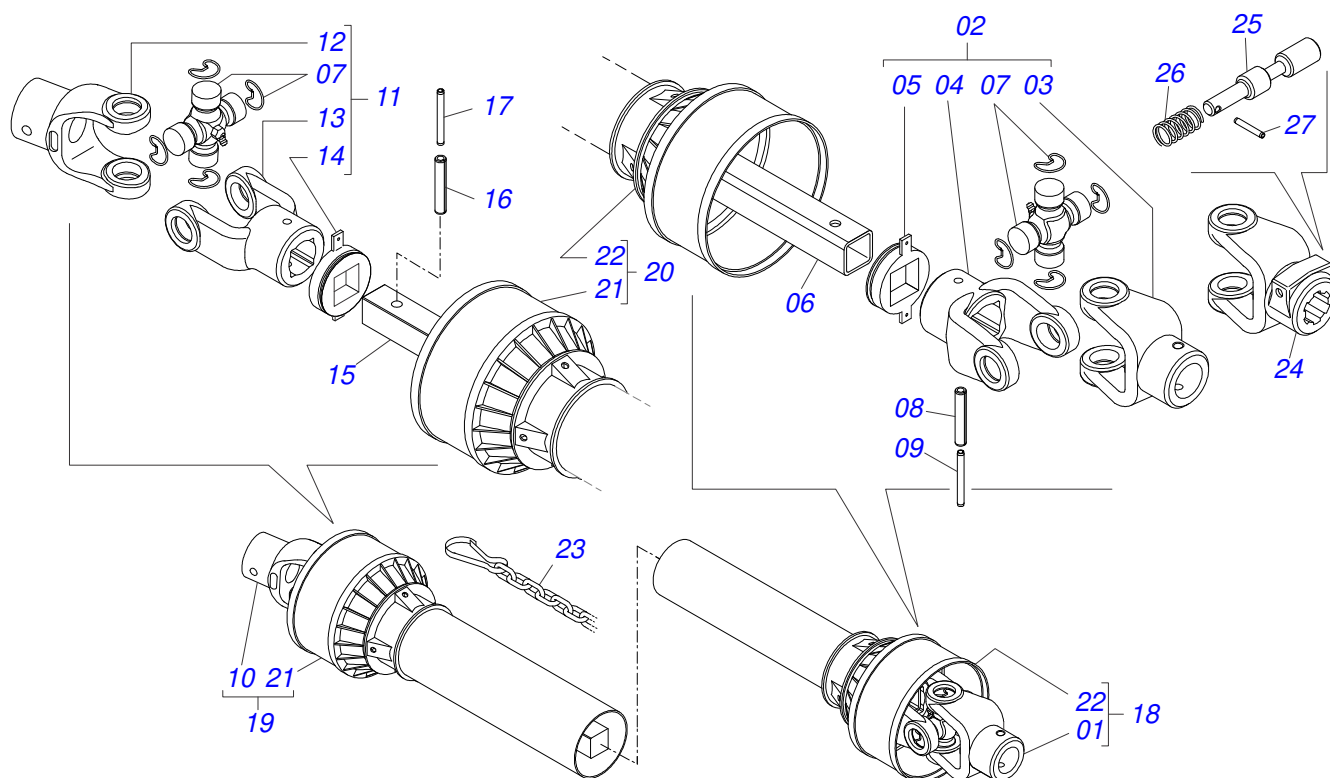
Item	Code	Description	See page	QT
01	0511063410	SLUICE VALVE SUPPORT		01
02	0503010363	BOLT 5/16 UNC X 1 C S G.2 ZN		02
03	0503011444	SPRING WASHER		02
04	0503010337	5/16" NUT		02
05	0511059094	SHAFT BEARING THREADED	5	01



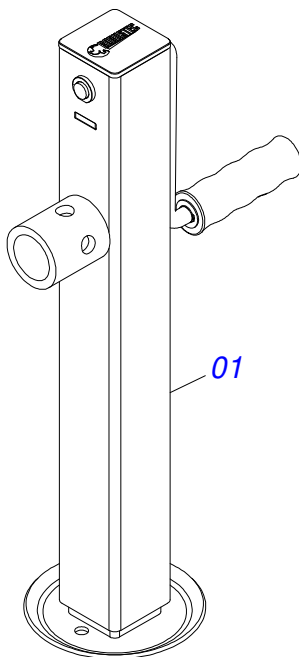
Item	Code	Description	See page	QT
01	0502010581	ROD BEARING		01
02	0521010458	SLEEVE		01
03	0521010457	SLEEVE		01
04	0503010004	1890 GREASE FITTING		01



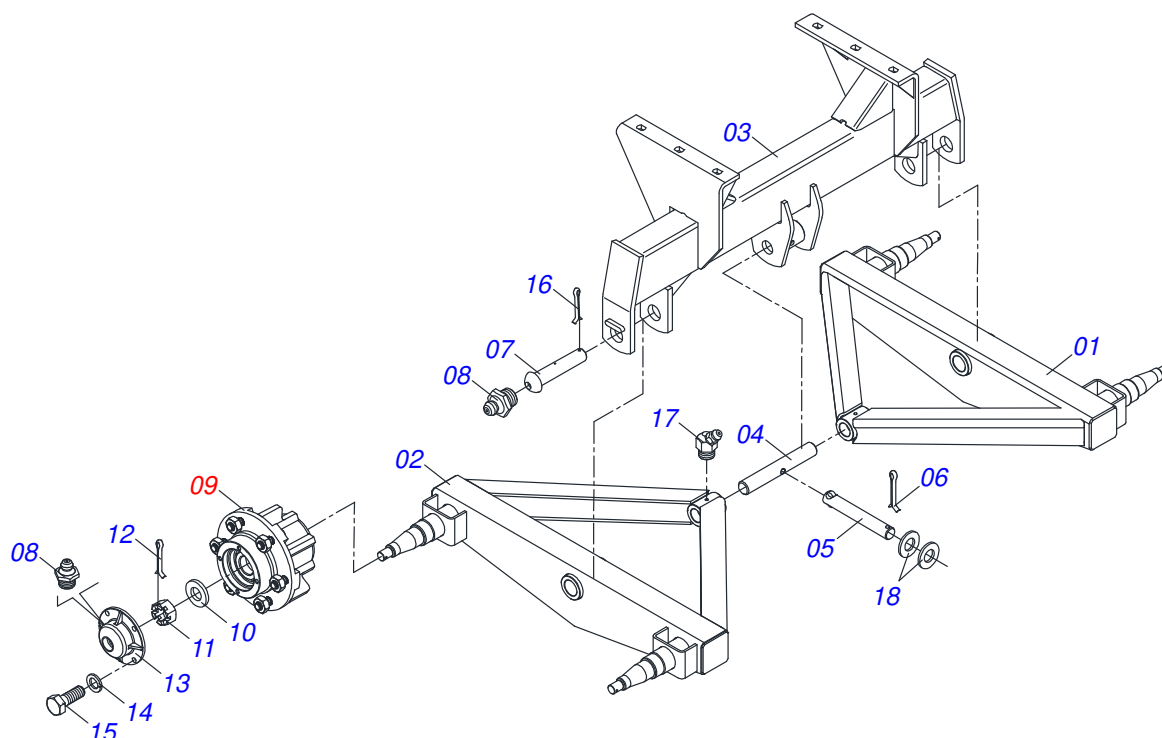
Item	Code	Description	See page	QT
01	0501067692	BELT TENSIONER BODY		01
02	0511015098	FLAT WASHER		02
03	0511017041	TENSIONER ROLD		01
04	0503010302	501019 SEAL RING		01
05	0503010002	1800 GREASE FITTING		01



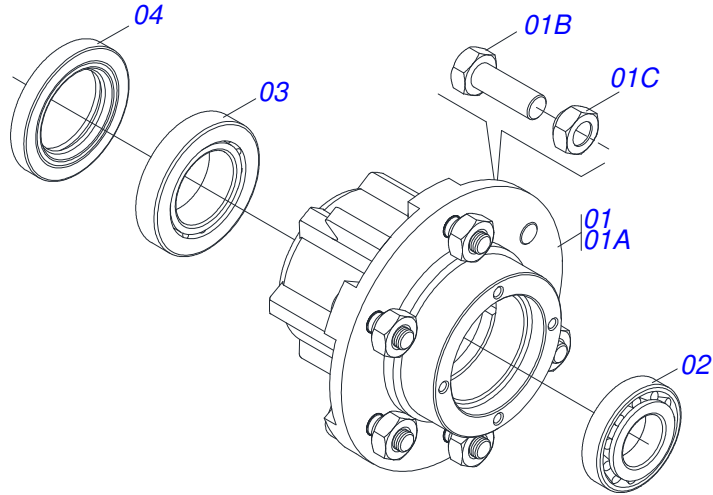
Item	Code	Description	See page	QT
01	0501052176	SLEEVE UNIVERSAL JOINT		01
02	0501050265	UNIVERSAL JOINT		01
03	0501050333	1-40 TERMINAL WITH HITCH		01
04	0502010565	2-40 TERMINAL WITH SH 1.5"/1.5"		01
05	0503012069	ADAPTER FOR BUSHING PROTECT		01
06	0521013800	16" X 1.4" SQUARE SLEEVE		01
07	0503010836	CARDAN CROSSPIECE		02
08	0503011069	0.4" X 2.8" SPRING PIN		01
09	0503010510	0.2" X 2.6" SPRING PIN		01
10	0501052177	AXLE UNIVERSAL JOINT		01
11	0501052178	UNIVERSAL JOINT		01
12	0502011611	9-40 TERMINAL		01
13	0502010566	3-40 TERMINAL WITH SH 1.2"/1.2"		01
14	0503012070	ADAPTER FOR AXLE PROTECTION		01
15	0521013801	1.2" X 15.7" SQUARE SHAFT		01
16	0503010361	SPRING PIN		01
17	0503010756	0.2" X 2.4" SPRING PIN		01
18	0501052179	PROT/SLEEVE UNIVERSAL JOINT		01
19	0501052180	PROT/AXLE UNIVERSAL JOINT		01
20	0503012277	PROTECTION ASSY		01
21	0503012279	PROTECTION FOR UNIV JOINT AND AXLE		01
22	0503012278	PROTECTION FOR UNIV JOINT SLEEVE		01
23	0503012023	CHAIN FOR PROTECTION		02
24	0502010563	1-40 STRIATED 1.3/8" TERMINAL		01
25	0521010638	13,70 X 78 HITCH PIN		01
26	0503030518	0.5"X1.0"X 0.1" COMPRESSION SPRING		01
27	0503010838	0.1" X 0.8" SPRING PIN		01



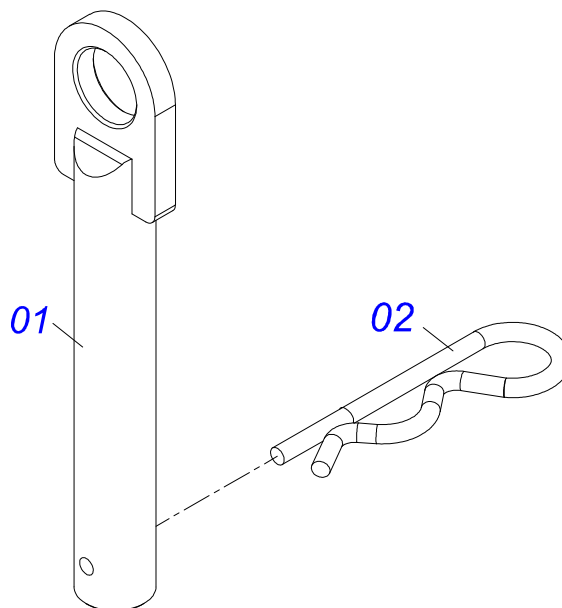
Item	Code	Description	See page	QT
01	0503062157	DRAWBAR JACK	8	01



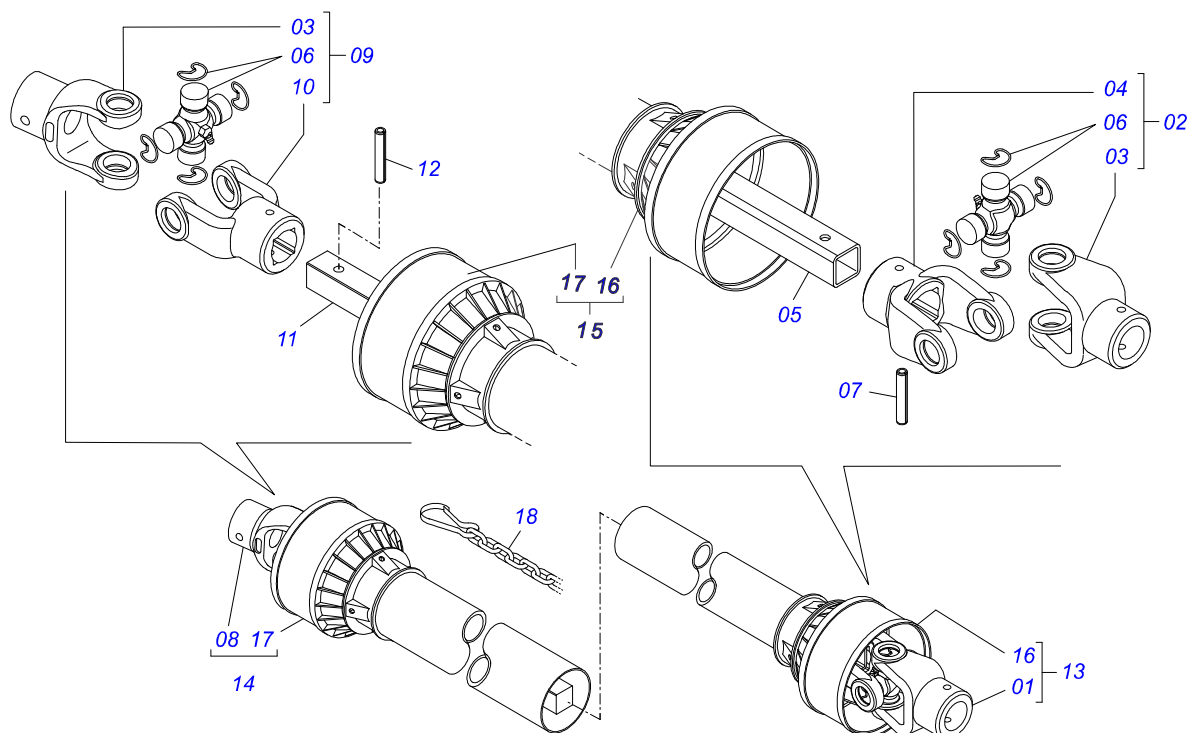
Item	Code	Description	See page	QT
01	0501069182	RIGHT ROCKER ARM		01
02	0501069183	LEFT ROCKER ARM		01
03	0511063405	BELL CRANK FIXATION SUPPORT		01
04	0521011118	COUPLING SHAFT		01
05	0521010553	0.5" X 3" COUPLING SHAFT		01
06	0503010257	1/8" X 1" COTTERPIN		01
07	0521010956	PIVOT SHAFT		02
08	0503010002	1800 GREASE FITTING		06
09	0501051142	CARRYING WHEEL HUB	10	04
10	0501016545	FLAT WASHER		04
11	0503030009	1" CASTLE NUT		04
12	0503010131	3/16" X 1-1/2" COTTERPIN		04
13	0502020591	PROTECCION COVER		04
14	0503011444	SPRING WASHER		16
15	0503010358	5/16" X 5/8" BOLT		16
16	0503010534	3/8 X 2-1/2 COTTERPIN		02
17	0503010003	1845 GREASE FITTING		02
18	0511017302	FLAT WASHER 13,50 X 32,50 X 3,0 ZN		02



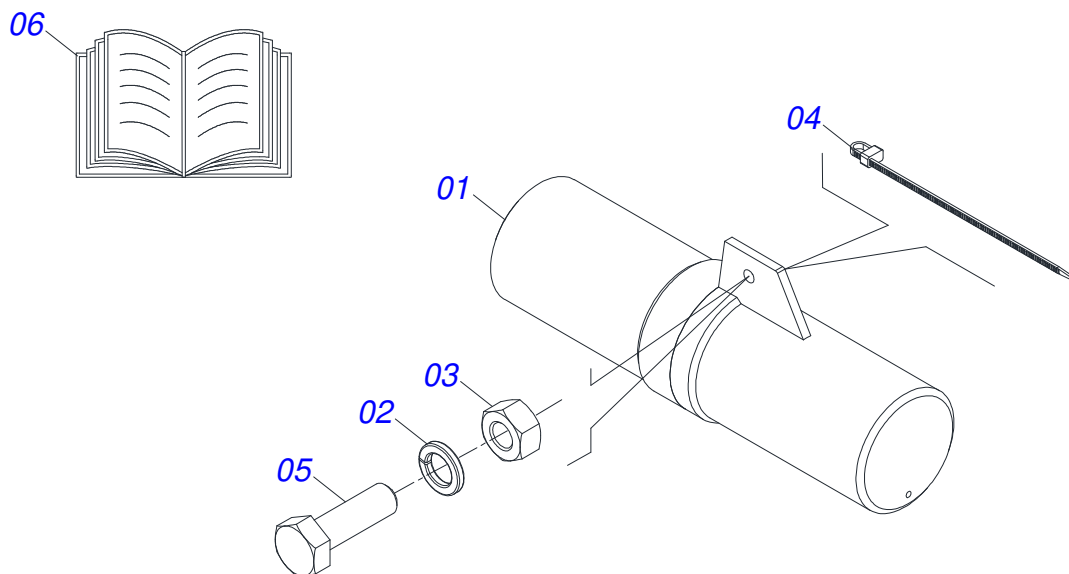
Item	Code	Description	See page	QT
01	0501110728	WHEEL HUB		01
01A	0502011121	CARRYING WHEEL HUB		01
01B	0501010127	9/16" X 1-7/8" LUG BOLT		06
01C	0503010035	9/16" CONIC NUT		06
02	0503010037	30207 ROLLER BEARING		01
03	0503010006	32210 ROLLER BEARING		01
04	0503012928	SEAL		01



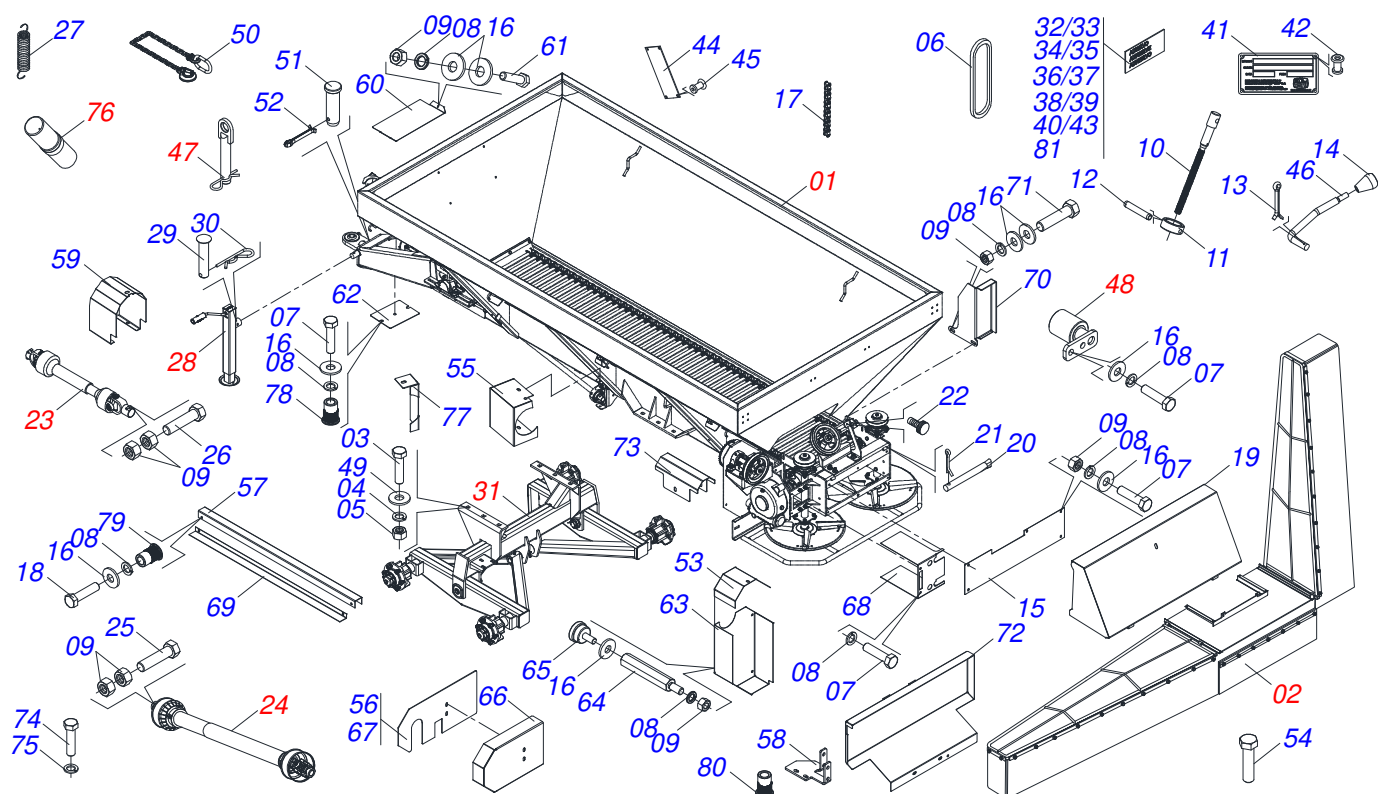
Item	Code	Description	See page	QT
01	0501068989	COUPLING SHAFT		01
03	0503031035	HITCH PIN CLIP		01



Item	Code	Description	See page	QT
01	0501052166	SLEEVE UNIVERSAL JOINT		01
02	0501051718	UNIVERSAL JOINT		01
03	0502010558	4-20 TERMINAL WITH ROLES		02
04	0502011426	2-20 TERMINAL		01
05	0521013798	0.9" X 35" SQUARE SLEEVE		01
06	0503010835	CARDAN CROSSPICE		02
07	0503010839	03"X 0.6" SPRING PIN		01
08	0501052167	AXLE UNIVERSAL JOINT		01
09	0501051720	UNIVERSAL JOINT		01
10	0502011427	3-20 TERMINAL		01
11	0521013795	0.9" X 35" SQUARE SHAFT		01
12	0503010301	0.3" X 1.8" SPRING PIN		01
13	0501052168	PROT/SLEEVE UNIVERSAL JOINT		01
14	0501052169	PROT/AXLE UNIVERSAL JOINT		01
15	0503012271	PROTECTION ASSY		01
16	0503012272	PROTECTION FOR UNIV JOINT SLEEVE		01
17	0503012273	PROTECTION FOR UNIV JOINT AND AXLE		01
18	0503012023	CHAIN FOR PROTECTION		02



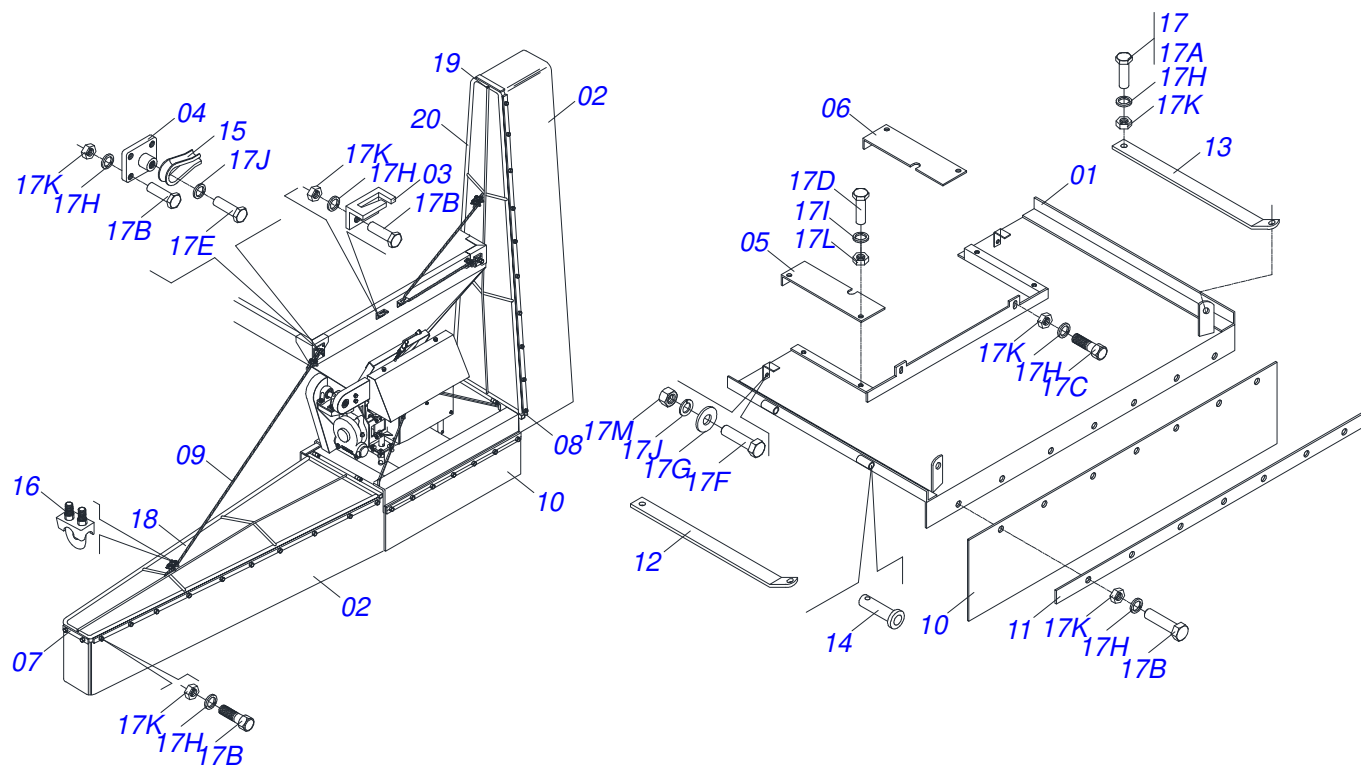
Item	Code	Description	See page	QT
01	0503060100	INSTRUCTIONS MANUAL CANISTER		01
02	0503010179	LOCK WASHER 5/16 ZN 1K01528		01
03	0503010337	5/16" NUT		01
04	0503010267	NYLON CLAMP		01
05	0503010363	BOLT 5/16 UNC X 1 C S G.2 ZN		01
06	0501036432	CAT BAG / MANUAL		01



Item	Code	Description	See page	QT
01	0501053865	BUCKET	16	01
02	0531052375	DAMPER	15	01
03	0503010899	5/8 UNC X 2.1/4 BOLT		06
04	0503010027	5/8 SPRING WASHER		06
05	0503010013	5/8 NUT		06
06	0503012941	C-148 BELT		01
07	0503010237	3/8" X 1" BOLT		14
08	0503010025	3/8 SPRING WASHER		26
09	0503010026	3/8" NUT		22
10	0561014861	REGULATOR		01
11	0511013015	SLEEVE		01
12	0503010561	SPRING PIN		01
13	0503010257	1/8" X 1" COTTERPIN		01
14	0503030878	LEVER CRANK		01
15	0531014340	REAR PROTECTION		01
16	0501010984	10,50 X 27 X 3,00 FLAT WASHER		30
17	0503013003	50-1 CHAIN X 79 LINK + REDUCTION + MENDING		01
18	0503010256	3/8" X 3/4" BOLT		12
19	0511063408	REAR COVER PROTECTION		01
20	0501017574	0.3" X 2.7" AXLE		02
21	0503010140	1/8" X 3/4" COTTERPIN		02
22	0503010386	CABLE		01
23	0501048241	DRIVE SHAFT	7	01
24	0501048783	DRIVE SHAFT	12	01
25	0503011268	3/8" X 2-1/2" BOLT		02
26	0503010765	3/8" X 3" BOLT		01
27	0503030198	0.6" X 2.4" X 0.1" EXTENSION SPRING		01
28	0503062157	DRAWBAR JACK	8	01
29	0521010549	COUPLING SHAFT		01
30	0503030168	HITCH PIN CLIP		01
31	0511040826	ROCKER ARM SUPPORT	9	01



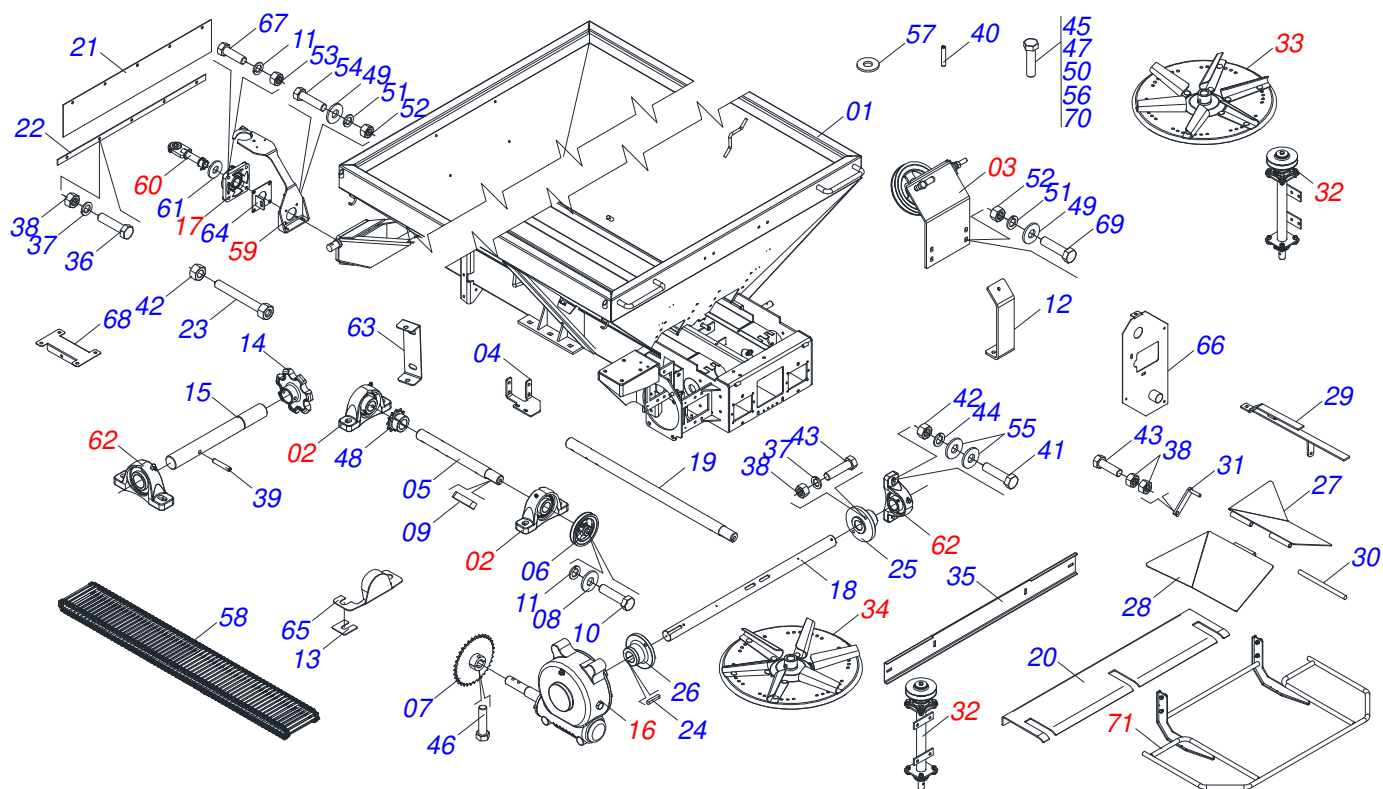
Item	Code	Description	See page	QT
32	0503035165	ADHESIVE LABEL		02
33	0503031751	ADHESIVE LABEL		01
34	0503031859	ADHESIVE LABEL DANGER		02
35	0503031428	READ MANUAL DECAL		01
36	0503031827	LUBRICATE AND RETIGHTEN DAILY DECAL		01
37	0503031087	ADHESIVE LABEL		01
38	0503031818	ADHESIVE LABEL		01
39	0503032425	ADHESIVE LABEL ATTENTION		01
40	0503031809	ADHESIVE LABEL		01
41	0503034003	SERIAL NUMBER TAG 61 X 118		01
42	0503010001	3.2 X 5.5 RIVET		04
43	0503032949	ADHESIVE LABEL		01
44	0503030751	REGULATOR PLATE		01
45	0503012209	RIVET POP		04
46	0521011107	CRANK BODY		01
47	0501047881	AXIS JOINT ASSY	11	01
48	0501050829	CHAIN TENSIONER	6	01
49	0501012140	FLAT WASHER		12
50	0503013150	1300 X 3/8 CHAIN		01
51	0581011220	COUPLING SHAFT		01
52	0503010131	3/16" X 1-1/2" COTTERPIN		01
53	0581017494	TOP PROTECTION RECAMBIO		01
54	0503010256	3/8" X 3/4" BOLT		01
55	0521068818	BEARING PROTECTION		01
56	0521068792	COVER PROTECTION		01
57	0581017466	AXLE PROTECTION COVER		01
58	0521068801	SUPPORT BELT PROTECTION		01
59	0581017468	PROTECTION BODY		01
60	0581013215	FRONT PROTECTION		01
61	0503010849	3/8" X 1-1/2" BOLT		02
62	0581017488	LOWER PROTECTION BOARD CARDAN		01
63	0581017446	CHAIN CAP		01
64	0581017496	PRISONER 3/8 UNC X 5/16 UNC X 175		03
65	0503010386	CABLE		03
66	0591016128	SIDE PROTECTION BELT		01
67	0591016127	SIDE PROTECTION BELT COVER		01
68	0581017453	FLANGE PROTECTION COVER		01
69	0581017465	PROTECTION FRONT COVER		01
70	0581017469	PROTECTION SIDE		01
71	0503010849	3/8" X 1-1/2" BOLT		04
72	0521068794	BELT INTERNAL PROTECTION		01
73	0581015152	COVER PROTECTION		01
74	0503010240	BOLT		02
75	0503010179	LOCK WASHER 5/16 ZN 1K01528		02
76	0531050102	CATALOGUE/MANUAL CANISTER ASSY	13	01
77	0591016145	PROTECTION BEARING COVER BACK		01
78	0503019416	RIVET SCREW THREAD INTERNAL		07
79	0503019729	THREAD SCREW INTERNAL		04
80	0503019413	THREAD SCREW INTERNAL		04
81	0503036144	MAXIMUM SPEED ADHESIVE LABEL		01



Item	Code	Description	See page	QT
01	0511063700	DAMPER FRAME CENTER	01	01
02	0511013808	BLANKET RUBBER	02	02
03	0501066514	STELL GUIDE CABLO	02	02
04	0501066515	STELL SUPPORT CABLO	02	02
05	0511017104	RIGHT COVER SIDE	01	01
06	0511017105	LEFT COVER SIDE	01	01
07	0511013806	FIXER CANVAS RIBBON	02	02
08	0511013793	FIXER SUPPORT CANVAS	04	04
09	0511013817	STELL CABLE	02	02
10	0511013810	REAR PROTECTION	01	01
11	0511013804	REAR RIBBON FIXER BLANKET	01	01
12	0531017784	RIGHT FRENCH HAND	01	01
13	0531017785	LEFT FRENCH HAND	01	01
14	0511013803	PIN	04	04
15	0503011202	BRACKET	04	04
16	0503010165	5/16" CABLO STEEL STAPLE	08	08
17	0501032349	PACKED PARTS	01	01
17A	0503010256	3/8" X 3/4" BOLT	04	04
17B	0503010237	3/8" X 1" BOLT	65	65
17C	0501010080	3/8" BOLT	02	02
17D	0503011102	BOLT 7/16 UNC X 1.1/4 C S G.5 ZN	04	04
17E	0503010834	1/2 X 1 BOLT	02	02
17F	0501010063	1/2" X 1-1/2" BOLT	02	02
17G	0511017302	FLAT WASHER 13,50 X 32,50 X 3,0 ZN	04	04
17H	0503010025	3/8 SPRING WASHER	71	71
17I	0503010180	7/16" SPRING WASHER	04	04
17J	0503010019	1/2" SPRING WASHER	04	04
17K	0503010026	3/8" NUT	71	71
17L	0503010244	7/16" NUT	04	04
17M	0503010060	1/2 UNC G.5 ZN HEX NUT	02	02
18	0501066442	RIGHT WING	01	01

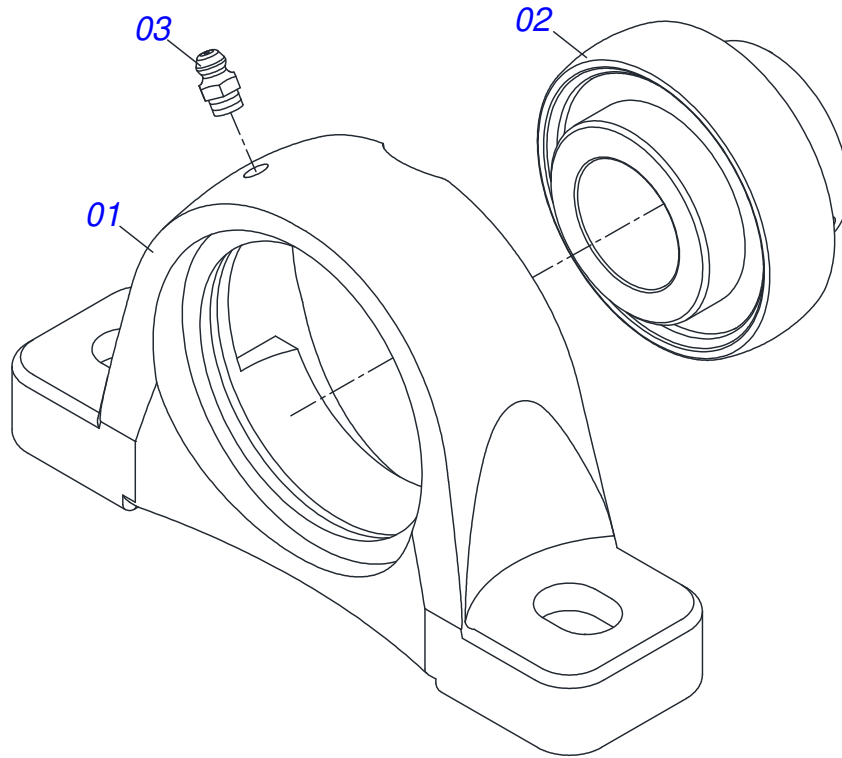


Item	Code	Description	See page	QT
19	0501066443	LEFT WING		01
20	0511013809	SUPPORT PROTECTION		02

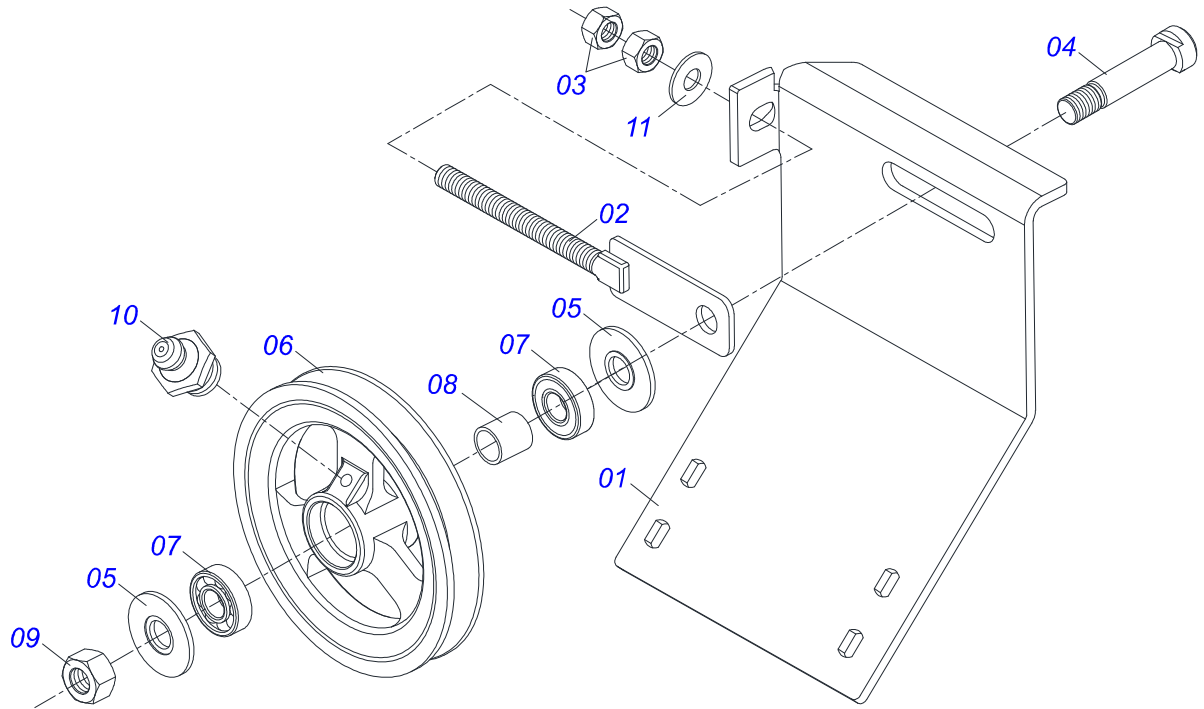


Item	Code	Description	See page	QT
01	0511063403	BUCKET		01
02	0511041213	AGRICULTURAL BEARING	17	03
03	0501053868	BELT TENSIONER ASSY	18	01
04	0591016126	FIXING BODY SIDE PROTECTION BELT		01
05	0531014330	DRIVE AXLE		01
06	0502012936	1 C X 219 X 30 PULLEY		01
07	0501069020	35Z GEAR		02
08	0511014052	FLAT WASHER		01
09	0501010536	KEYWAY SQUARE		01
10	0503010355	7/16" X 1" BOLT		01
11	0503011446	SPRING WASHER		05
12	0511063668	REAR FIXER COVER		01
13	0501010794	HIDR CHOCK REGULATOR		04
14	0591016380	GEAR		06
15	0591016382	DRIVEN AXLE		01
16	0501047985	REDUCER	19	01
17	0501044306	BATH BEARING	21	01
18	0591016381	DRIVING AXLE		01
19	0521011192	1800 FRONT DRIVE AXLE		01
20	0531014324	TOOTH COVER		01
21	0531014337	PROTECTION LARGER		02
22	0531014331	SLUICE VALVE FIXER COVER		01
23	0501067853	ROD STABILIZER		02
24	0501010540	KEYWAY SQUARE		02
25	0511016540	MAT COUPLING FLANGE		01
26	0511016541	REDUCTION COUPLING FLANGE		01
27	0511063659	RIGHT FLOW DIVIDING		01
28	0511063660	LEFT FLOW DIVIDING		01
29	0531061725	REAR DEFLECTOR SUPPORT		01
30	0531015309	TENSIONER OPEN		01
31	0531061722	DIVIDER OPENING REGULATOR		02

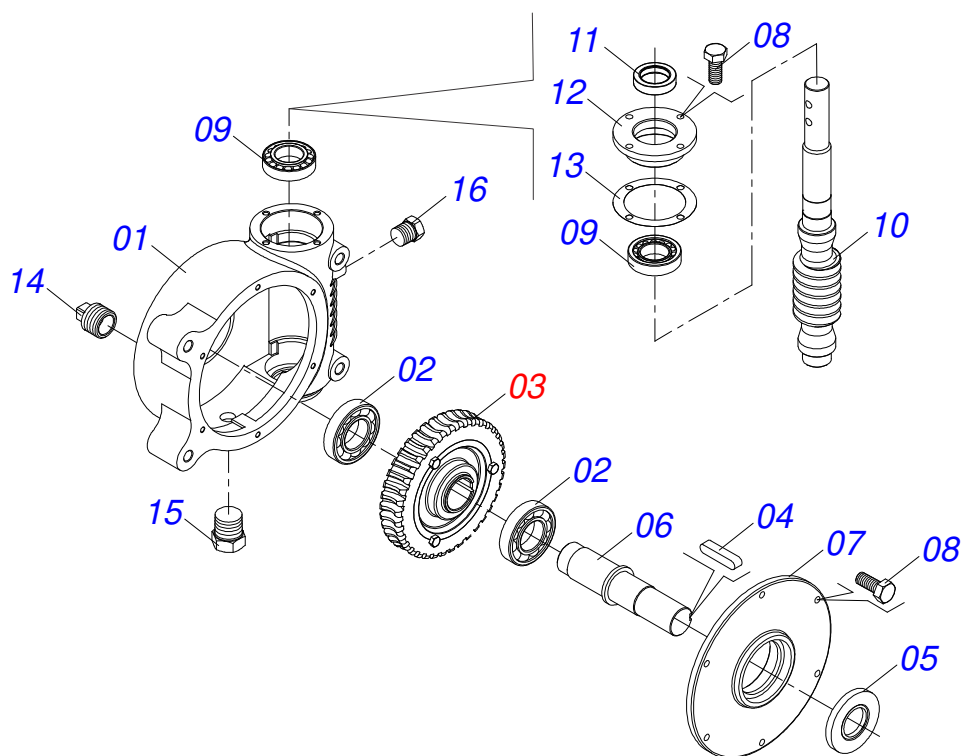
Item	Code	Description	See page	QT
32	0501054013	RIGHT BEARRING SUPPORT DISC	22	02
33	0501053870	DISTRIBUTOR RIGHT DISC ASSY	24	01
34	0501053871	DISTRIBUTOR LEFT DISC ASSY	25	01
35	0531061723	BUMPER WITH CLIP		01
36	0503010237	3/8" X 1" BOLT		14
37	0503011443	3/8" SPRING WASHER		19
38	0503010026	3/8" NUT		27
39	0503010361	SPRING PIN		08
40	0503010756	0.2" X 2.4" SPRING PIN		06
41	0503010233	5/8" X 2-1/2" BOLT		04
42	0503010013	5/8 NUT		06
43	0503010849	3/8" X 1-1/2" BOLT		03
44	0503011445	SPRING WASHER		08
45	0503011167	M16 X 2 X 30 BOLT		04
46	0503011268	3/8" X 2-1/2" BOLT		01
47	0503011141	3/8" X 2-3/4" BOLT		02
48	0501069017	12Z GEAR		01
49	0511017302	FLAT WASHER 13,50 X 32,50 X 3,0 ZN		28
50	0503010920	1/2 UNC X 1.1/2 C S G.5 ZN BOLT		12
51	0503011440	SPRING WASHER		26
52	0503010060	1/2 UNC G.5 ZN HEX NUT		26
53	0503010244	7/16" NUT		04
54	0503010740	BOLT 1/2 UNC X 2 CS G.5 ZN		10
55	0501012140	FLAT WASHER		08
56	0503010751	C3/8" X 1.1/4" HEX BOLT G.5		02
57	0501010984	10,50 X 27 X 3,00 FLAT WASHER		10
58	0511063406	DRIVE THE TRANSPORT TALISCA		01
59	0521053161	CARDAN SUPPORT WITHOUT SPRING	26	01
60	0521057116	FULL HITCH	27	01
61	0501015875	FLAT WASHER		01
62	0501044308	AGRICULTURAL BEARING ASSY	28	04
63	0581017504	BEARING PROTECTION SUPPORT		01
64	0521068825	SUPPORT AXLE PROTECTION		01
65	0521068822	BEARING PROTECTION		03
66	0521068791	TRANSMISSION PROTECTION COVER		01
67	0503011135	BOLT		04
68	0581015151	FIXING BODY COVER PROTECTION		01
69	0503010238	BOLT 1/2 UNC X 1.3/4 CS G.2 ZN		04
70	0501010942	3/8" X 1-1/4" BOLT		01
71	0531050089	FULL DISK PROTECTOR	29	01



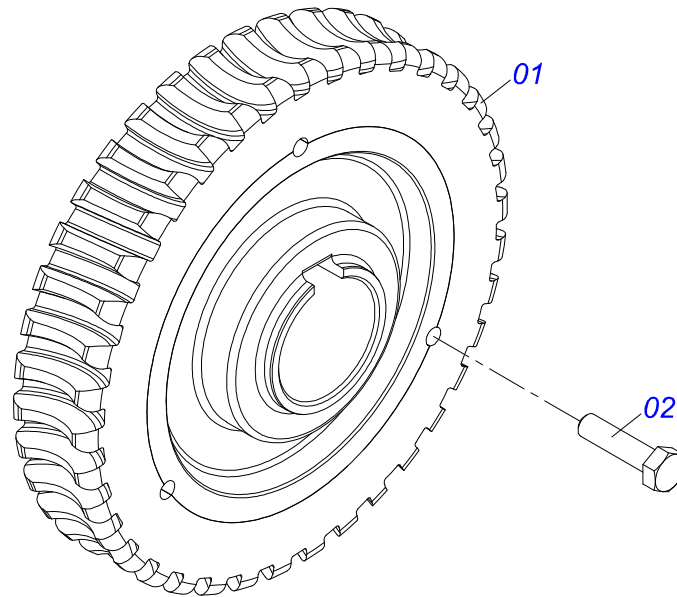
Item	Code	Description	See page	QT
01	0502011954	AGRICULTURAL HOUSING BEARING		01
02	0503011884	BALL BEARING		01
03	0503010691	1/4" GREASE FITTING		01



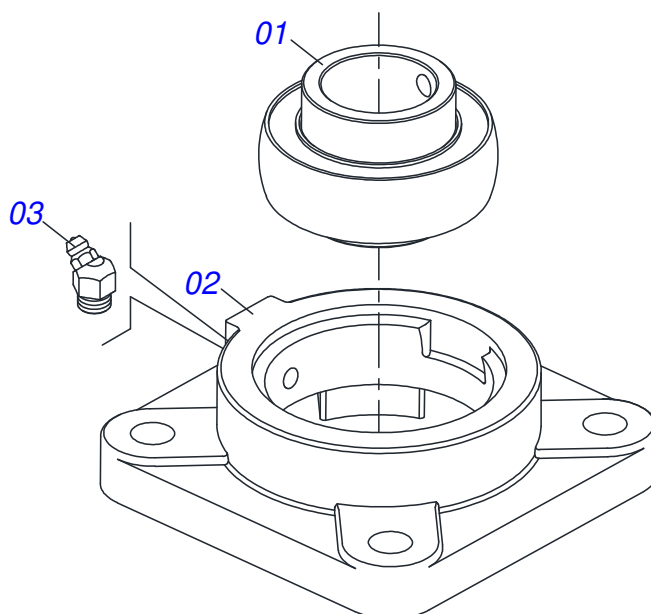
Item	Code	Description	See page	QT
01	0531014326	PULLEY BODY SUPPORT		01
02	0511064818	PULLEY TENSIONER		01
03	0503010013	5/8 NUT		02
04	0511012362	TIGHTENER AXLE PULLEY		01
05	0501019288	WASHER SPACER		02
06	0502011366	REEL 1C 8.3" X 1.6" PULLEY		01
07	0503010690	6204 BALL BEARING		02
08	0521010497	0.8" X 1.1" X 1.1" SPACER		01
09	0503010014	3/4" HEX NUT		01
10	0503010002	1800 GREASE FITTING		01
11	0501012140	FLAT WASHER		01



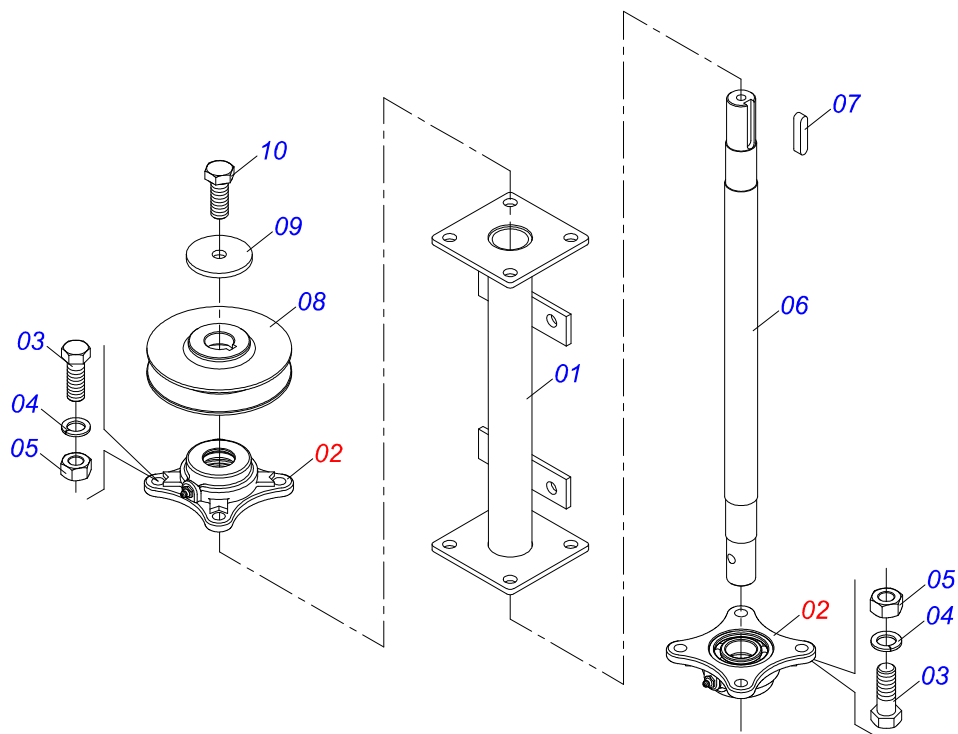
Item	Code	Description	See page	QT
01	0502011456	REDUCTION BOX		01
02	0503011095	6208 BALL BEARING		02
03	0501051774	38Z CROWN	20	01
04	0503011304	1/2" X 2.4" KEYWAY SQUARE		01
05	0503010818	02675-BRG SEAL		01
06	0521010996	AXLE		01
07	0502020556	LARGER COVER		01
08	0503010240	BOLT		10
09	0503010016	BEARING LM		02
10	0521010997	SCREW THEAD		01
11	0503011171	00912-BRG SEAL		01
12	0502011457	SMALLER COVER		01
13	0503030981	102 X 75,5 X 0,10 JOINT		01
14	0521011023	PLUG		01
15	0513010009	LEVEL DISPLAY		01
16	0503010856	OIL PLUG		01



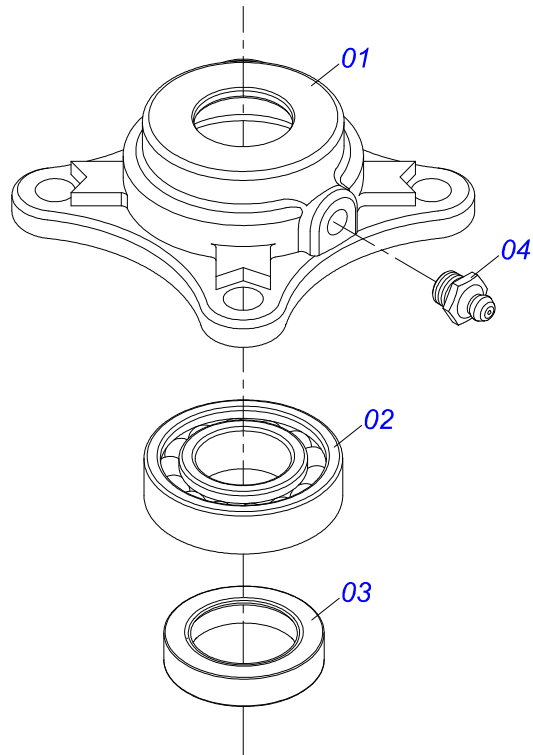
Item	Code	Description	See page	QT
01	0501110280	38Z CONICAL		01
02	0503010365	BOLT 5/16 UNC X 1.1/4 C S G.5 ZN		03



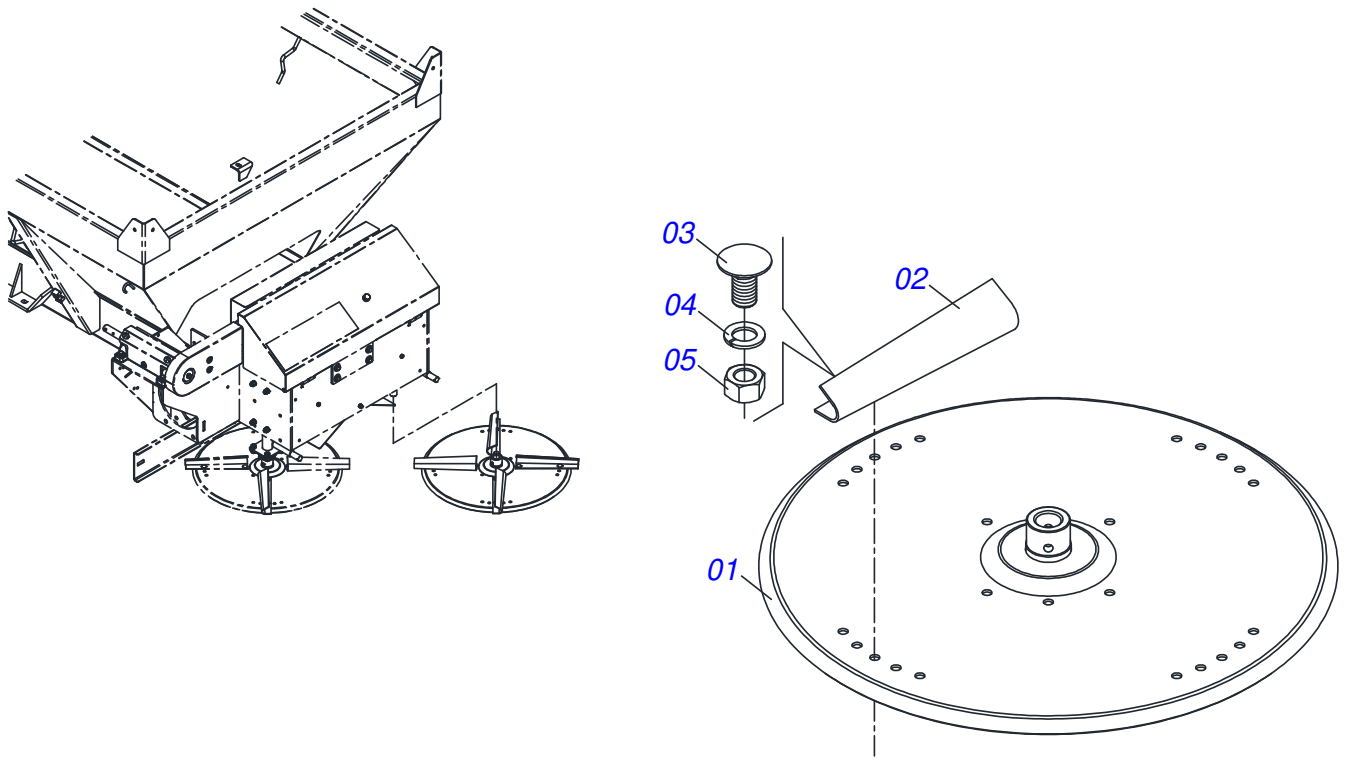
Item	Code	Description	See page	QT
01	0503011162	BALL BEARING		01
02	0503011146	HOUSING BEARING		01
03	0503011099	GREASE FITTING		01



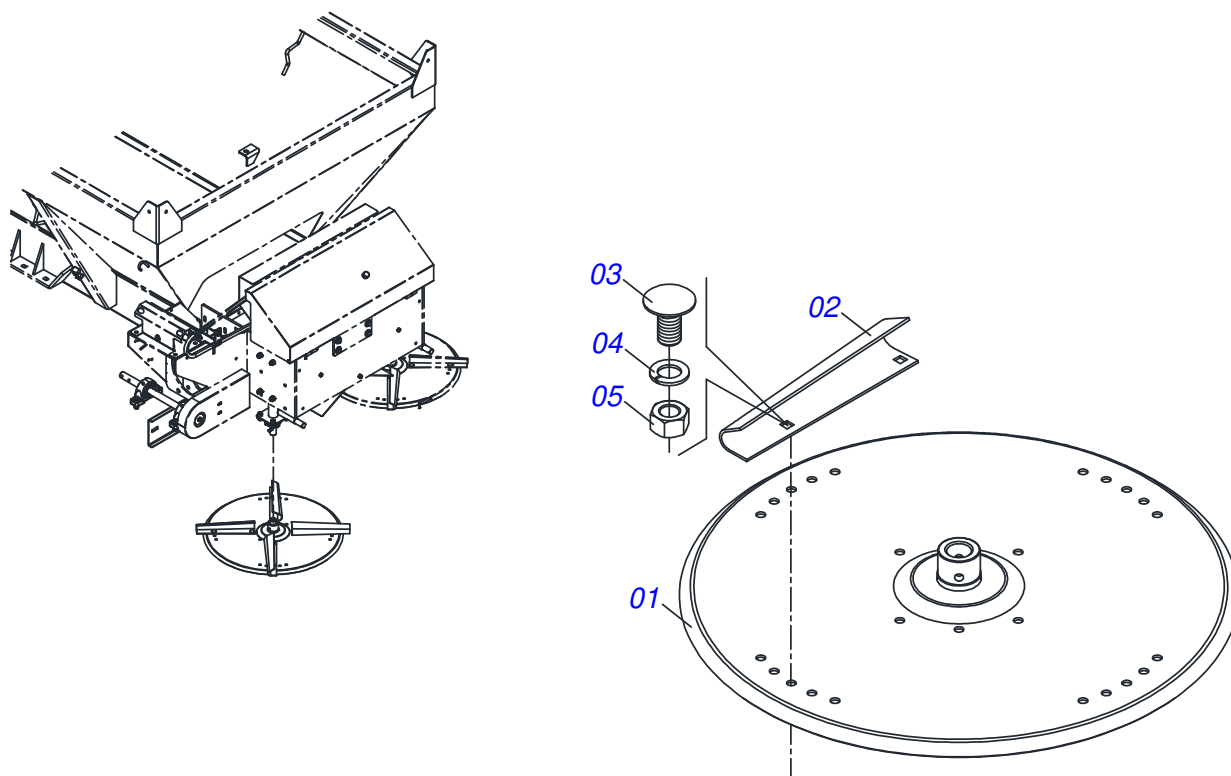
Item	Code	Description	See page	QT
01	0511063742	DISTRIBUTOR RIGHT/LEFT SUPPORT		01
02	0501048000	AGRICULTURAL BEARING	23	02
03	0503011135	BOLT		08
04	0503011446	SPRING WASHER		08
05	0503010244	7/16" NUT		08
06	0511016489	DISTRIBUTOR AXLE CONDUCTOR DISC		01
07	0501010536	KEYWAY SQUARE		01
08	0502011361	REEL 1C 5.5" X 1.1" PULLEY		01
09	0511014052	FLAT WASHER		01
10	0503010237	3/8" X 1" BOLT		01



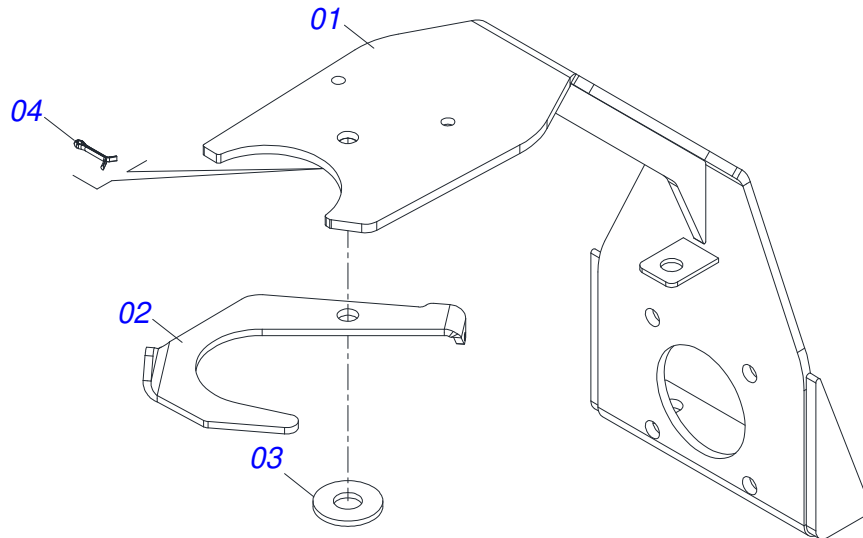
Item	Code	Description	See page	QT
01	0502011442	AGRICULTURAL HOUSING BEARING		01
02	0503010276	6206 BALL BEARING		01
03	0503011865	SEAL		01
04	0503010002	1800 GREASE FITTING		01



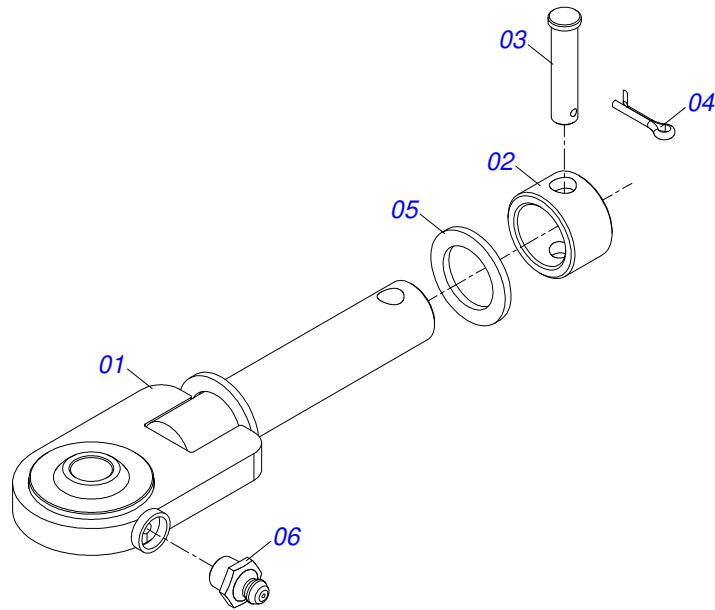
Item	Code	Description	See page	QT
01	0511063411	DISTRIBUTOR DISC		01
02	0531014343	RH FLIP		04
03	0503013029	3/8" X 3/4" BOLT		08
04	0503011443	3/8" SPRING WASHER		08
05	0503010026	3/8" NUT		08



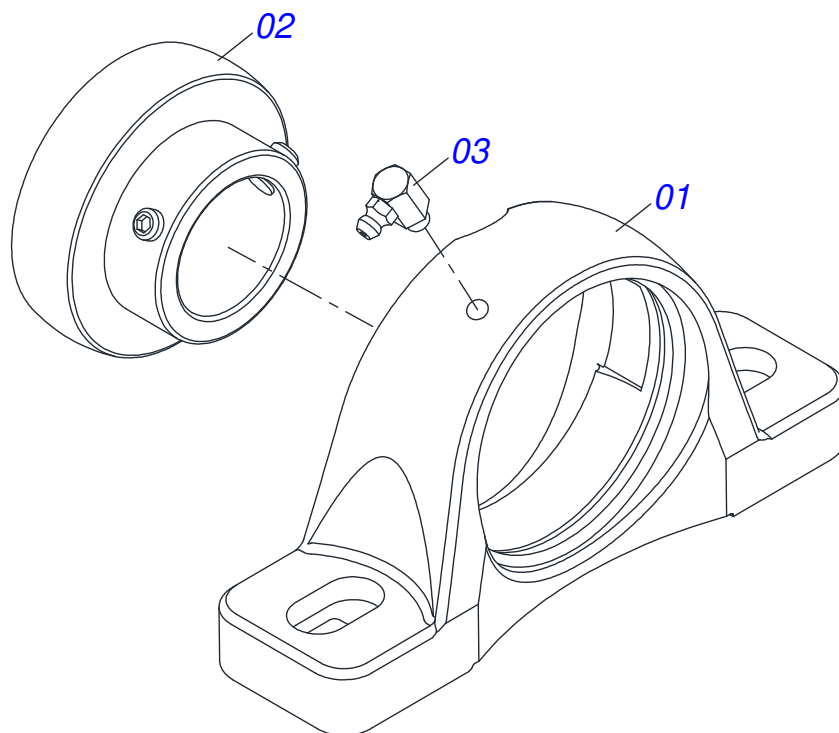
Item	Code	Description	See page	QT
01	0511063411	DISTRIBUTOR DISC		01
02	0531014344	LH FLIP		04
03	0503013029	3/8" X 3/4" BOLT		08
04	0503011443	3/8" SPRING WASHER		08
05	0503010026	3/8" NUT		08



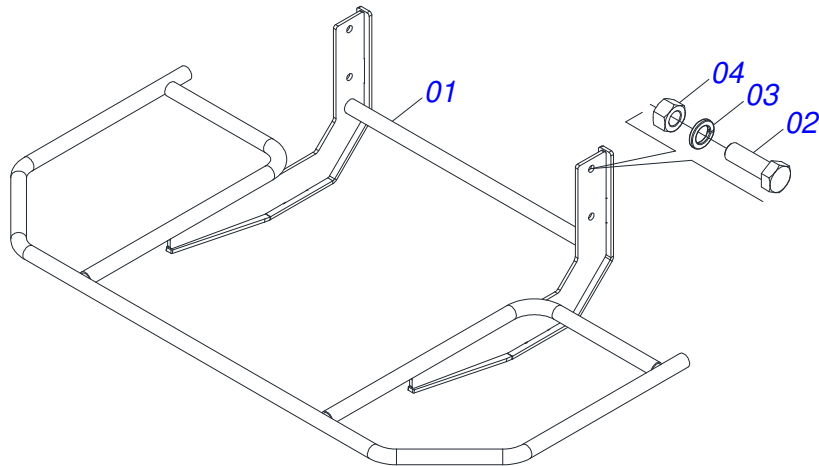
Item	Code	Description	See page	QT
01	0521068817	SUPPORT SUSTENANCE CARDAN		01
02	0511014066	CARDAN SMALLE SUPPORT		01
03	0511017302	FLAT WASHER 13,50 X 32,50 X 3,0 ZN		01
04	0503010257	1/8" X 1" COTTERPIN		01



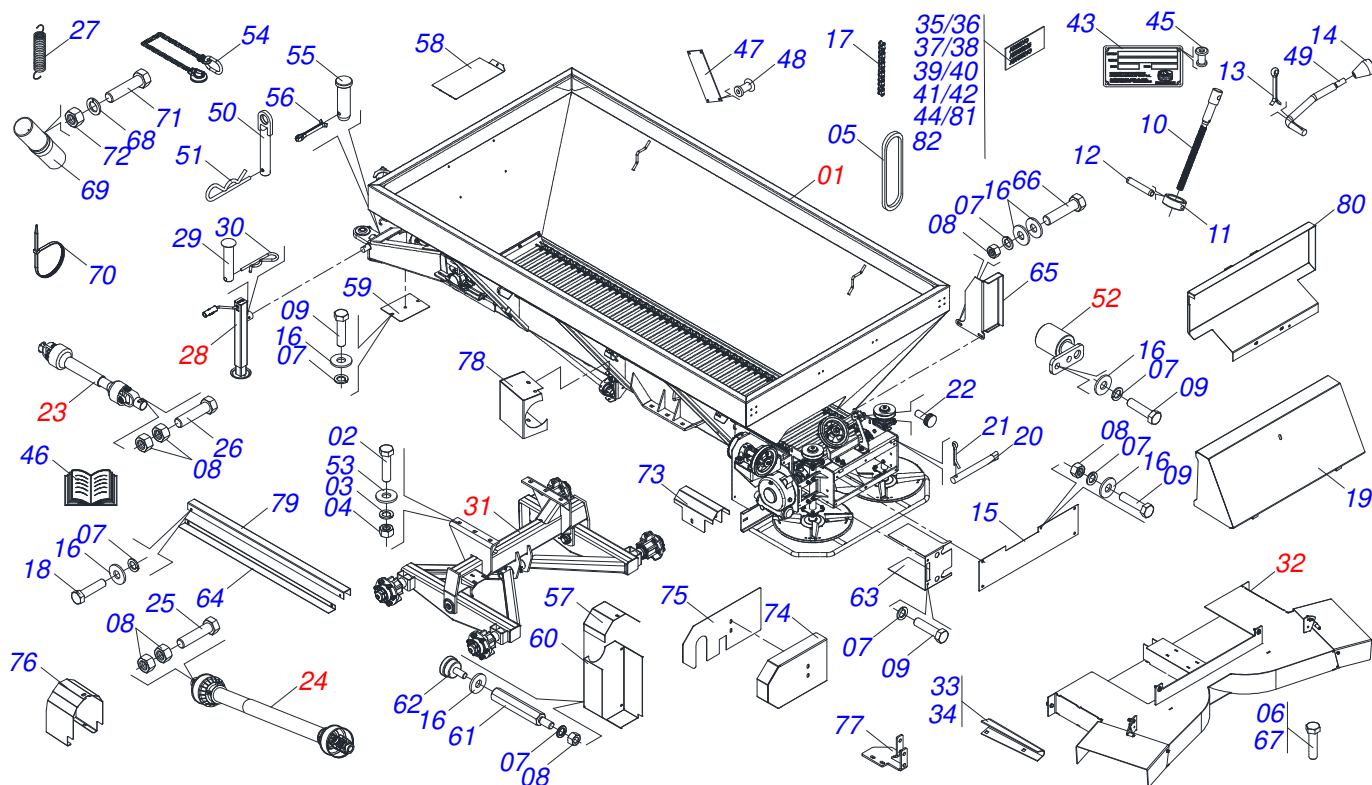
Item	Code	Description	See page	QT
01	0521068793	TRACTOR TRACTOR		01
02	0521010681	BUSHING COUPLING BODY		01
03	0521010639	COUPLING SHAFT		01
04	0503010571	1/4" X 1.1/2 COTTERPIN		01
05	0501015875	FLAT WASHER		01
06	0503010002	1800 GREASE FITTING		01



Item	Code	Description	See page	QT
01	0502011050	AGRICULTURAL HOUSING BEARING		01
02	0503011163	1108/UCR BEARING ASSY		01
03	0503010004	1890 GREASE FITTING		01

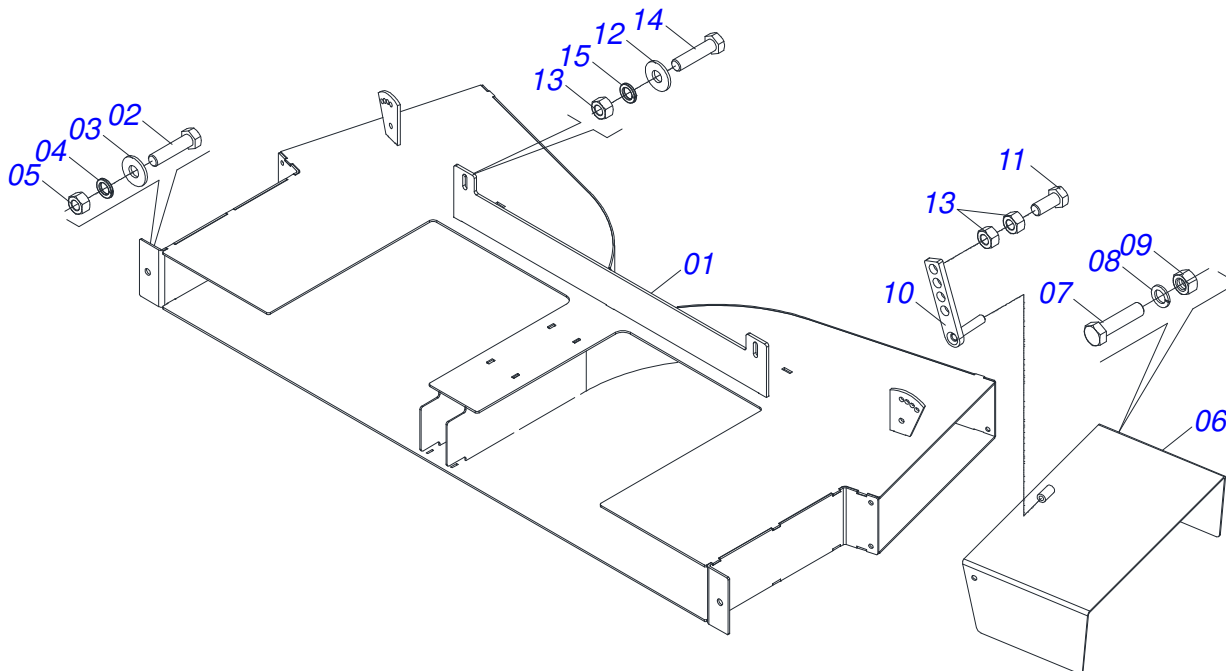


Item	Code	Description	See page	QT
01	0531061724	DISK PROTECTOR		01
02	0503010920	1/2 UNC X 1.1/2 C S G.5 ZN BOLT		04
03	0503011440	SPRING WASHER		04
04	0503010060	1/2 UNC G.5 ZN HEX NUT		04

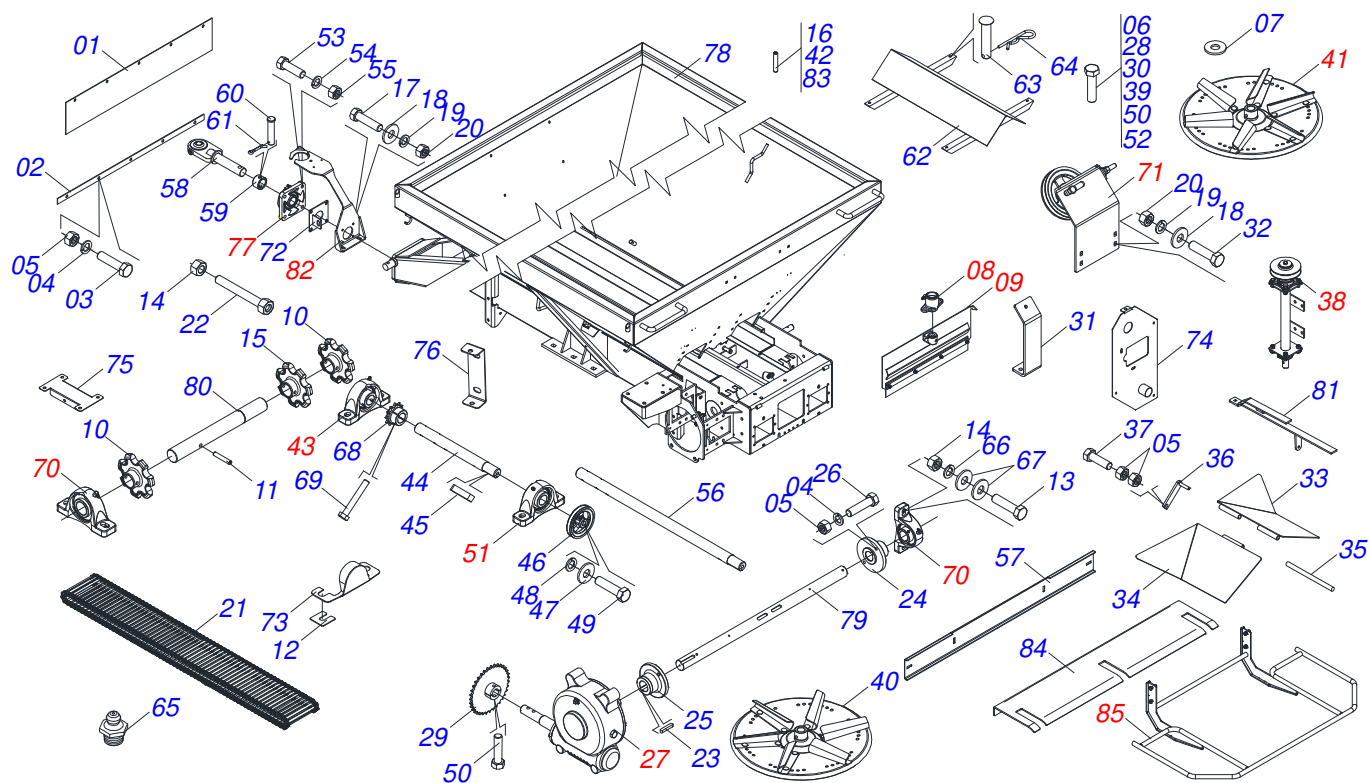


Item	Code	Description	See page	QT
01	052105687	BUCKET SEMI MOUNTED	32	01
02	0503010899	5/8 UNC X 2.1/4 BOLT		06
03	0503010027	5/8 SPRING WASHER		06
04	0503010013	5/8 NUT		06
05	0503012941	C-148 BELT		01
06	0503010751	C3/8" X 1.1/4" HEX BOLT G.5		02
07	0503010025	3/8 SPRING WASHER		25
08	0503010026	3/8" NUT		22
09	0503010237	3/8" X 1" BOLT		11
10	0561014861	REGULATOR		01
11	0511013015	SLEEVE		01
12	0503010561	SPRING PIN		01
13	0503010257	1/8" X 1" COTTERPIN		01
14	0503030878	LEVER CRANK		01
15	0531014340	REAR PROTECTION		01
16	0501010984	10,50 X 27 X 3,00 FLAT WASHER		29
17	0503013003	50-1 CHAIN X 79 LINK + REDUCTION + MENDING		01
18	0503010256	3/8" X 3/4" BOLT		13
19	0511063408	REAR COVER PROTECTION		01
20	0501017574	0.3" X 2.7" AXLE		02
21	0503010140	1/8" X 3/4" COTTERPIN		02
22	0503010386	CABLE		01
23	0501048241	DRIVE SHAFT	7	01
24	0501048783	DRIVE SHAFT	12	01
25	0503011268	3/8" X 2-1/2" BOLT		02
26	0503010765	3/8" X 3" BOLT		01
27	0503030198	0.6" X 2.4" X 0.1" EXTENSION SPRING		01
28	0503062157	DRAWBAR JACK	8	01
29	0521010549	COUPLING SHAFT		01
30	0503030168	HITCH PIN CLIP		01
31	0511040826	ROCKER ARM SUPPORT	9	01

Item	Code	Description	See page	QT
32	0521055686	SEMI MOUNTED DRIVER	31	01
33	0531014343	RH FLIP		04
34	0531014344	LH FLIP		04
35	0503035165	ADHESIVE LABEL		02
36	0503031859	ADHESIVE LABEL DANGER		02
37	0503031428	READ MANUAL DECAL		01
38	0503031827	LUBRICATE AND RETIGHTEN DAILY DECAL		01
39	0503031087	ADHESIVE LABEL		01
40	0503031818	ADHESIVE LABEL		01
41	0503031809	ADHESIVE LABEL		01
42	0503032425	ADHESIVE LABEL ATTENTION		01
43	0503034003	SERIAL NUMBER TAG 61 X 118		01
44	0503032949	ADHESIVE LABEL		01
45	0503010001	3.2 X 5.5 RIVET		04
46	0501036432	CAT BAG / MANUAL		01
47	0503030751	REGULATOR PLATE		01
48	0503012209	RIVET POP		04
49	0521011107	CRANK BODY		01
50	0501068989	COUPLING SHAFT		01
51	0503031035	HITCH PIN CLIP		01
52	0501050829	CHAIN TENSIONER	6	01
53	0501012140	FLAT WASHER		12
54	0503013150	1300 X 3/8 CHAIN		01
55	0581011220	COUPLING SHAFT		01
56	0503010131	3/16" X 1-1/2" COTTERPIN		01
57	0581017494	TOP PROTECTION RECAMBIO		01
58	0581013215	FRONT PROTECTION		01
59	0581017488	LOWER PROTECTION BOARD CARDAN		01
60	0581017446	CHAIN CAP		01
61	0581017496	PRISONER 3/8 UNC X 5/16 UNC X 175		03
62	0503010386	CABLE		03
63	0581017453	FLANGE PROTECTION COVER		01
64	0581017465	PROTECTION FRONT COVER		01
65	0581017469	PROTECTION SIDE		01
66	0503010849	3/8" X 1-1/2" BOLT		06
67	0503010240	BOLT		02
68	0503010179	LOCK WASHER 5/16 ZN 1K01528		03
69	0503060100	INSTRUCTIONS MANUAL CANISTER		01
70	0503010267	NYLON CLAMP		01
71	0503010363	BOLT 5/16 UNC X 1 C S G.2 ZN		01
72	0503010337	5/16" NUT		01
73	0581015152	COVER PROTECTION		01
74	0581017450	BELT SIDE PROTECTOR		01
75	0521068792	COVER PROTECTION		01
76	0521068802	PROTECTION TOGETHER CARDAN		01
77	0521068801	SUPPORT BELT PROTECTION		01
78	0521068818	BEARING PROTECTION		01
79	0521068800	TRANSMISSION AXLE PROTECTION		01
80	0521068794	BELT INTERNAL PROTECTION		01
81	0503035156	LABEL ADHESIVE		01
82	0503036144	MAXIMUM SPEED ADHESIVE LABEL		01



Item	Code	Description	See page	QT
01	0511064253	CONTROLLER	01	01
02	0503010395	1/2" X 1-1/4" BOLT	02	02
03	0511017302	FLAT WASHER 13,50 X 32,50 X 3,0 ZN	02	02
04	0503010019	1/2" SPRING WASHER	02	02
05	0503010060	1/2 UNC G.5 ZN HEX NUT	02	02
06	0511064254	CONTROLLER SPOUT	02	02
07	0503010240	BOLT	04	04
08	0503010179	LOCK WASHER 5/16 ZN 1K01528	04	04
09	0503010337	5/16" NUT	04	04
10	0501067368	DIVISOR REGULATOR OPEN	02	02
11	0503010751	C3/8" X 1.1/4" HEX BOLT G.5	02	02
12	0501010984	10,50 X 27 X 3,00 FLAT WASHER	02	02
13	0503010026	3/8" NUT	06	06
14	0503010849	3/8" X 1-1/2" BOLT	02	02
15	0503010025	3/8 SPRING WASHER	02	02

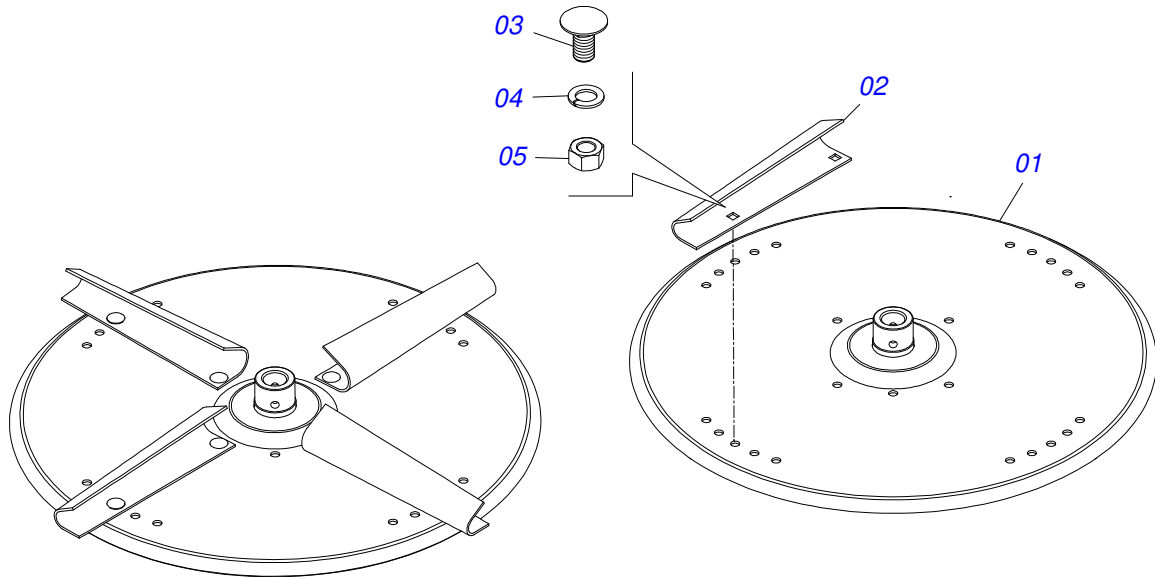


Item	Code	Description	See page	QT
01	0531014337	PROTECTION LARGER		02
02	0531014331	SLUICE VALVE FIXER COVER		01
03	0503010237	3/8" X 1" BOLT		13
04	0503011443	3/8" SPRING WASHER		22
05	0503010026	3/8" NUT		24
06	0503010751	C3/8" X 1.1/4" HEX BOLT G.5		04
07	0501010984	10,50 X 27 X 3,00 FLAT WASHER		10
08	0511059094	SHAFT BEARING THREADED	5	01
09	0511059108	SLUICE VALVE COVER ASSY	3	01
10	0502040728	7Z GEAR		03
11	0503010361	SPRING PIN		03
12	0501010794	HIDR CHOCK REGULATOR		04
13	0503010233	5/8" X 2-1/2" BOLT		04
14	0503010013	5/8 NUT		08
15	0502040728	7Z GEAR		03
16	0503010361	SPRING PIN		03
17	0503010740	BOLT 1/2 UNC X 2 CS G.5 ZN		10
18	0511017302	FLAT WASHER 13,50 X 32,50 X 3,0 ZN		18
19	0503011440	SPRING WASHER		26
20	0503010060	1/2 UNC G.5 ZN HEX NUT		26
21	0511063406	DRIVE THE TRANSPORT TALISCA		01
22	0501067853	ROD STABILIZER		02
23	0501010540	KEYWAY SQUARE		02
24	0511016540	MAT COUPLING FLANGE		01
25	0511016541	REDUCTION COUPLING FLANGE		01
26	0503010849	3/8" X 1-1/2" BOLT		02
27	0501047985	REDUCER	19	01
28	0503011167	M16 X 2 X 30 BOLT		04
29	0501069020	35Z GEAR		02
30	0503011268	3/8" X 2-1/2" BOLT		02
31	0511063668	REAR FIXER COVER		01

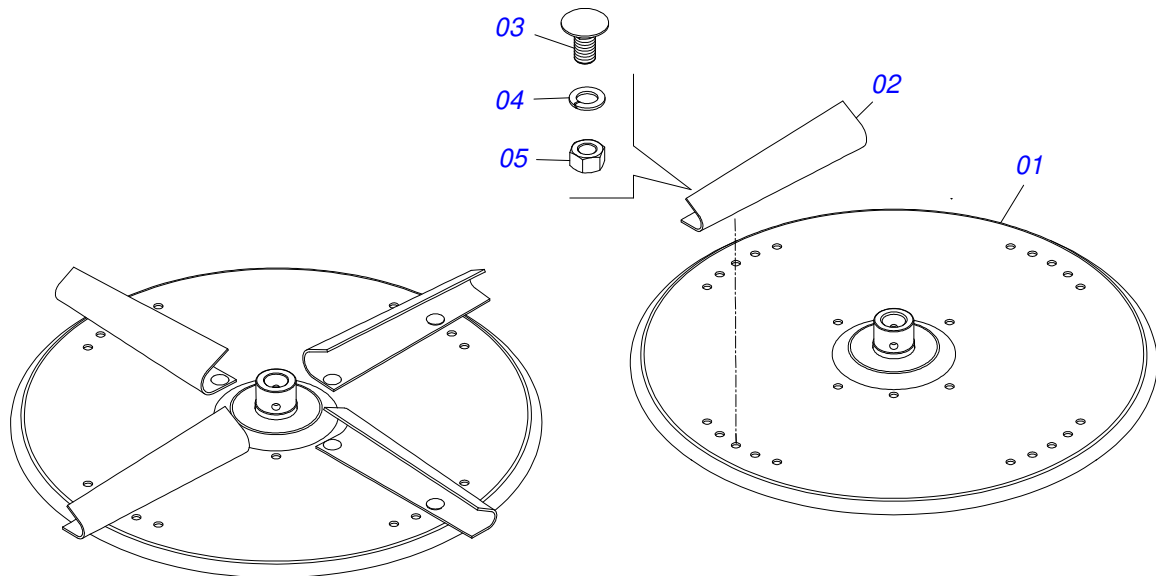


DCCO 5500 MC
BUCKET SEMI MOUNTED

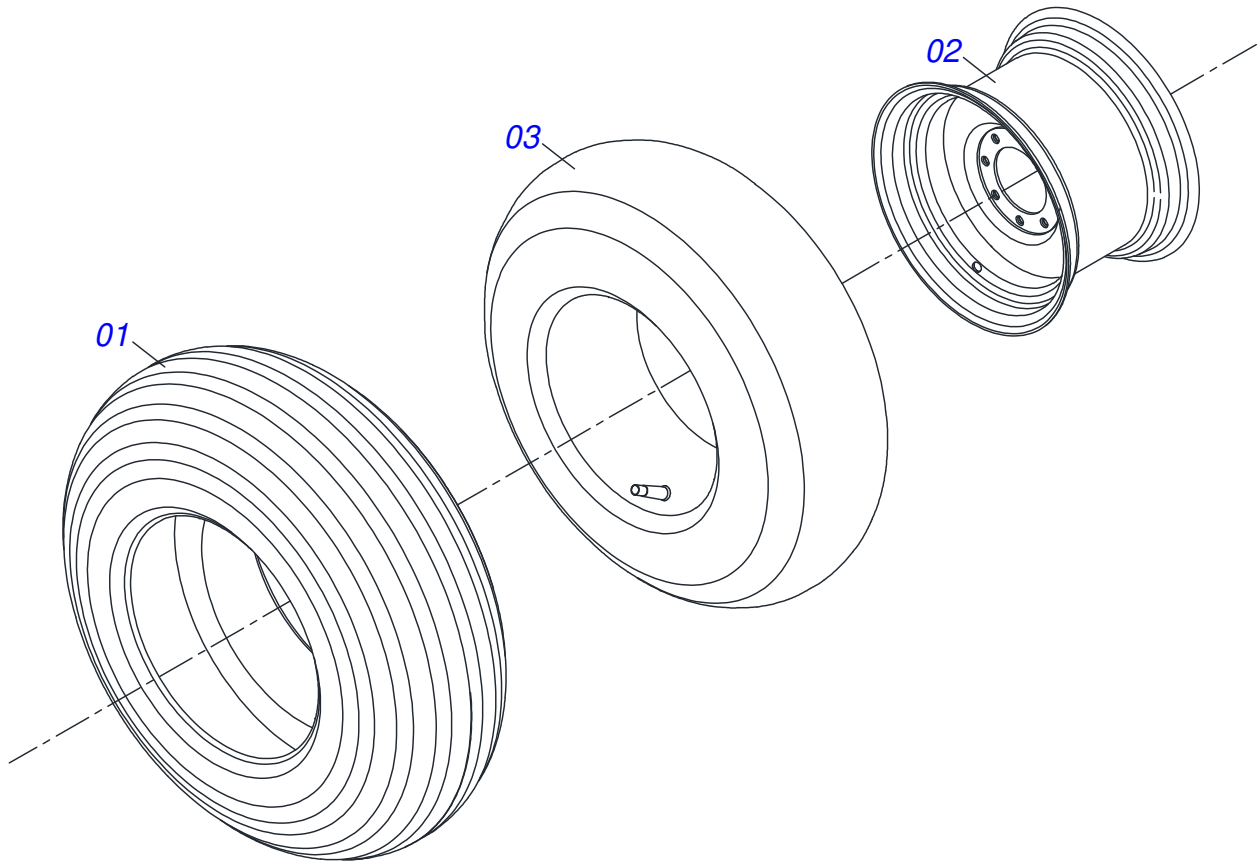
Item	Code	Description	See page	QT
32	0503010238	BOLT 1/2 UNC X 1.3/4 CS G.2 ZN		04
33	0511063659	RIGHT FLOW DIVIDING		01
34	0511063660	LEFT FLOW DIVIDING		01
35	0531015309	TENSIONER OPEN		01
36	0501067368	DIVISOR REGULATOR OPEN		02
37	0503010849	3/8" X 1-1/2" BOLT		01
38	0501054013	RIGHT BEARRING SUPPORT DISC	22	02
39	0503010920	1/2 UNC X 1.1/2 C S G.5 ZN BOLT		12
40	0501058675	DISTRIBUTOR LEFT DISC ASSY	33	01
41	0501058677	DISTRIBUTOR RIGHT DISC ASSY	34	01
42	0503010361	SPRING PIN		02
43	0511041213	AGRICULTURAL BEARING	17	02
44	0531014330	DRIVE AXLE		01
45	0501010536	KEYWAY SQUARE		01
46	0502011361	REEL 1C 5.5" X 1.1" PULLEY		01
47	0511014052	FLAT WASHER		01
48	0503011446	SPRING WASHER		01
49	0503010355	7/16" X 1" BOLT		01
50	0503011268	3/8" X 2-1/2" BOLT		01
51	0511041213	AGRICULTURAL BEARING	17	01
52	0503011082	C1/2" X 1.3/4" SCREW		02
53	0503011135	BOLT		04
54	0503011446	SPRING WASHER		04
55	0503010244	7/16" NUT		04
56	0521011192	1800 FRONT DRIVE AXLE		01
57	0531014338	BAMPER		01
58	0521068793	TRACTOR TRACTOR		01
59	0521010681	BUSHING COUPLING BODY		01
60	0521010639	COUPLING SHAFT		01
61	0503010571	1/4" X 1.1/2 COTTERPIN		01
62	0511063658	DEFLECTOR		01
63	0521017623	0.5" X 1.5" COUPLING SHAFT		04
64	0503030168	HITCH PIN CLIP		04
65	0503011098	1/4" GREASE FITTING		04
66	0503011445	SPRING WASHER		18
67	0501012140	FLAT WASHER		08
68	0501069017	12Z GEAR		01
69	0503011267	5/8 UNC X 1.1/2 C S G.5 ZN BOLT		02
70	0501044308	AGRICULTURAL BEARING ASSY	28	04
71	0501053868	BELT TENSIONER ASSY	18	01
72	0521068825	SUPPORT AXLE PROTECTION		01
73	0521068822	BEARING PROTECTION		03
74	0521068791	TRANSMISSION PROTECTION COVER		01
75	0521068109	FIXER PROTECTION COVER		01
76	0521068824	PROTECTION SUPPORT BEARING		01
77	0501044306	BATH BEARING	21	01
78	0511063403	BUCKET		01
79	0531014346	MOTOR SHAFT		01
80	0531014345	DRIVEN AXLE		01
81	0531061725	REAR DEFLECTOR SUPPORT		01
82	0521053161	CARDAN SUPPORT WITHOUT SPRING	26	01
83	0503010756	0.2" X 2.4" SPRING PIN		06
84	0531014324	TOOTH COVER		01
85	0531050244	PROTECTOR DISC		01



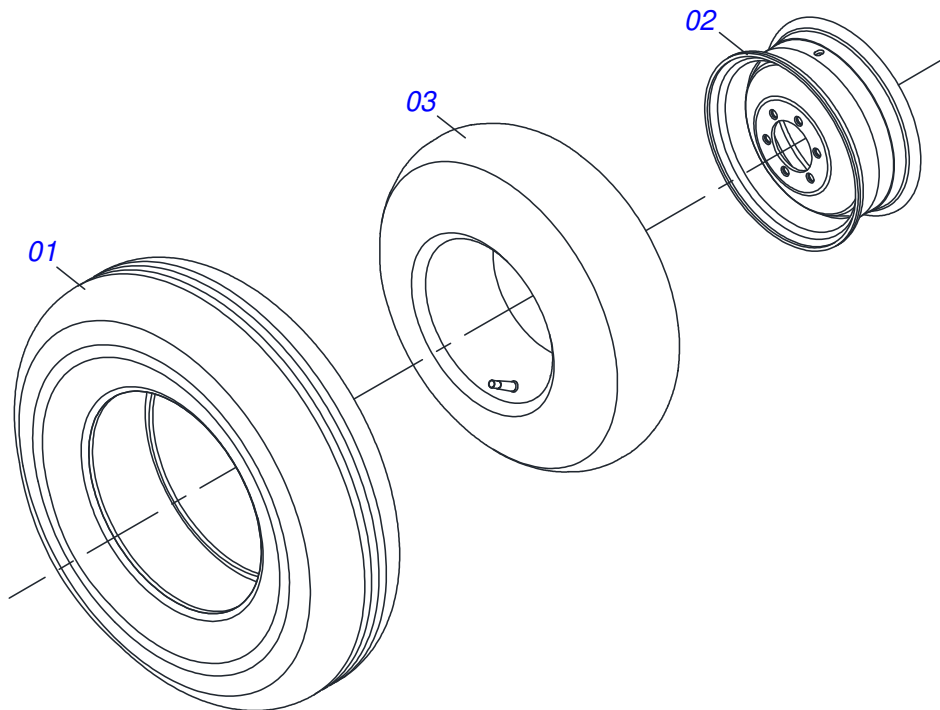
Item	Code	Description	See page	QT
01	0511063411	DISTRIBUTOR DISC		01
02	0531014344	LH FLIP		04
03	0503013029	3/8" X 3/4" BOLT		08
04	0503011443	3/8" SPRING WASHER		08
05	0503010026	3/8" NUT		08



Item	Code	Description	See page	QT
01	0511063411	DISTRIBUTOR DISC		01
02	0531014343	RH FLIP		04
03	0503013029	3/8" X 3/4" BOLT		08
04	0503011443	3/8" SPRING WASHER		08
05	0503010026	3/8" NUT		08



Item	Code	Description	See page	QT
01	0503010858	CANVAS TIRE		01
02	0503011468	WEEL		01
03	0503010860	AIR CHAMBER 11L 15		01



Item	Code	Description	See page	QT
01	0503010120	CANVAS TIRE		01
02	0521062708	WHEEL 5,50 X 16 X 118 X 6F 16,50 X 152,40		01
03	0503010033	7.50 X 16 INNER TIRE		01



MARCHESAN

Technical Publications | Elaboration and Revision

LORENA ROCHA ALVES

www.marchesan.com.br

