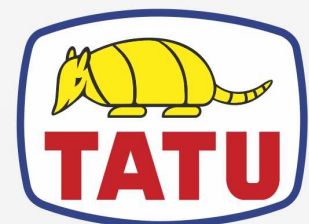


CHASER BIN

DCCO 2500 MC

Code: 0501093172
Series: S-0302
Revision: 01
Date Revision: FEVEREIRO/2023

PARTS CATALOGUE



MARCHESAN



PRODUCTS

Code	Description
0109090046	DCCO 2500 MC S-0302
0109090054	DCCO 2500 MC C/ABAFADOR S-0302
0109090129	DCCO 2500 MC C/DIR PN 11L15 S-0302
0109090064	DCCO 2500 MC C/DIRECCIONADOR S-0302
0109090097	DCCO 2500 MC C/PN11L15 S-0302
0109090132	DCCO 2500 MC C/RODA S/PNEU S-0302

ATTENTION: IMPORTANT

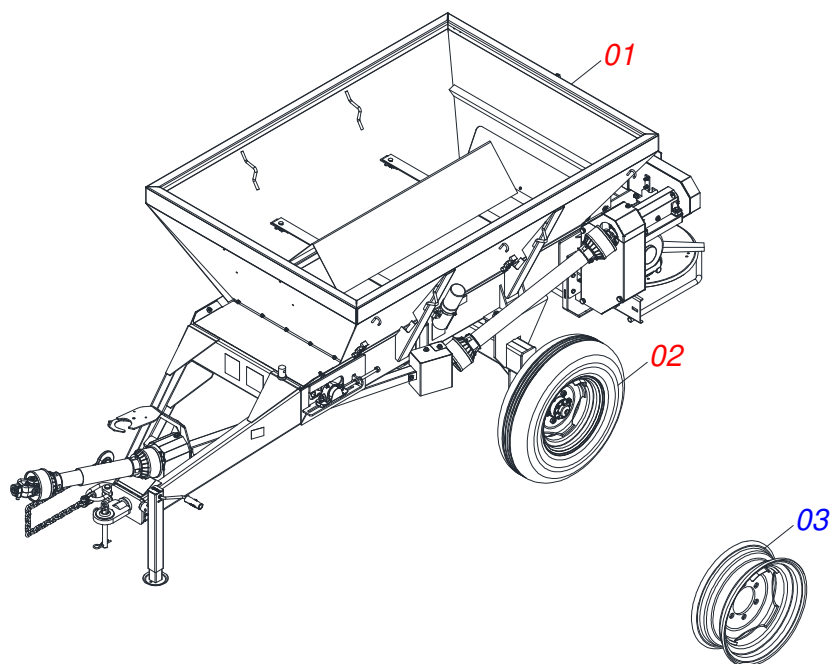
Marchesan S.A. reserves the right to improve and/or modify the technical features of its products, without obligation to do the same with those products already sold and without prior knowledge of the dealer or the customer. The photos are only illustrative.



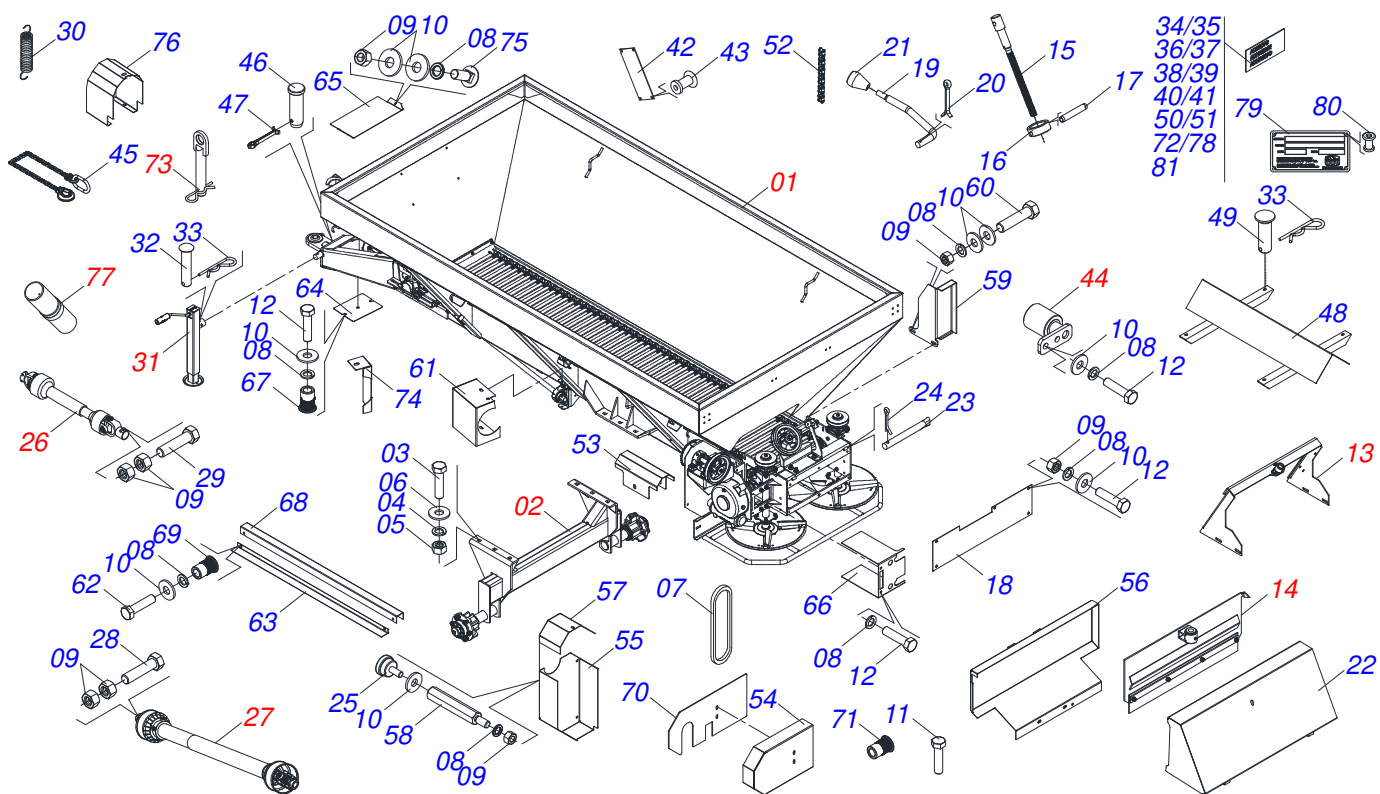
MARCHESAN

INDEX

0909096101	ASSY FRAME	1
0511041061	ASSY FRAME	2
0501054086	BUCKET	3
0501047985	REDUCER	4
0501051774	38Z CROWN	5
0501053868	BELT TENSIONER ASSY	6
0501054013	RIGHT BEARRING SUPPORT DISC	7
0501048000	AGRICULTURAL BEARING	8
0501053870	DISTRIBUTOR RIGHT DISC ASSY	9
0501053871	DISTRIBUTOR LEFT DISC ASSY	10
0511041213	AGRICULTURAL BEARING	11
0521053161	CARDAN SUPPORT WITHOUT SPRING	12
0501044306	BATH BEARING	13
0521057116	FULL HITCH	14
0531050089	FULL DISK PROTECTOR	15
0511041062	SUPPORT FIXATION	16
0501051142	CARRYING WHEEL HUB	17
0511059105	SLUICE VALVE SUPPORT	18
0511059094	SHAFT BEARING THREADED	19
0511059108	SLUICE VALVE COVER ASSY	20
0501048241	DRIVE SHAFT	21
0501048409	DRIVE SHAFT	22
0503062157	DRAWBAR JACK	23
0501047881	AXIS JOINT ASSY	24
0531050102	CATALOGUE/MANUAL CANISTER ASSY	25
0511042720	ASSY FRAME	26
0531052375	DAMPER	27
0511043333	ASSY FRAME	28
0521055688	BUCKET	29
0501058675	DISTRIBUTOR LEFT DISC ASSY	30
0501058677	DISTRIBUTOR RIGHT DISC ASSY	31
0531050244	PROTECTOR DISC	32
0521055686	SEMI MOUNTED DRIVER	33
0503060181	WHEEL AND TIRE	34
0503060206	29.5"X0.6"- 10L WHEEL AND TIRE ASSY	35



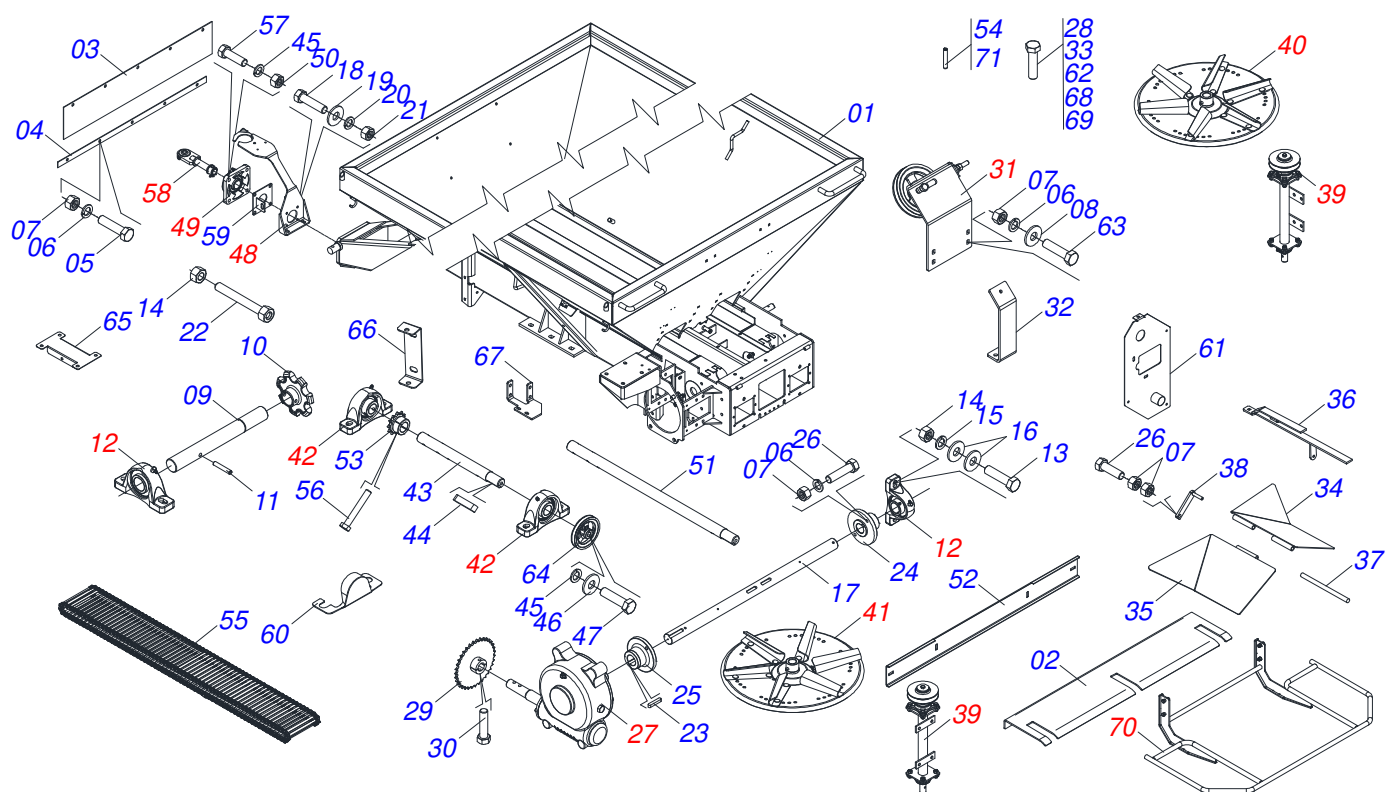
Item	Code	Description	See page	QT
01	0511041061	ASSY FRAME	2	01
01.	0511042720	ASSY FRAME	26	01
01..	0511043333	ASSY FRAME	28	01
02	0503060181	WHEEL AND TIRE	34	02
02.	0503060206	29.5"X0.6"- 10L WHEEL AND TIRE ASSY	35	02
03	0521062708	WHEEL 5,50 X 16 X 118 X 6F 16,50 X 152,40		02



Item	Code	Description	See page	QT
01	0501054086	BUCKET	3	01
02	0511041062	SUPPORT FIXATION	16	01
03	0503010899	5/8 UNC X 2.1/4 BOLT		06
04	0503010027	5/8 SPRING WASHER		06
05	0503010013	5/8 NUT		06
06	0501012140	FLAT WASHER		12
07	0503012941	C-148 BELT		01
08	0503010025	3/8 SPRING WASHER		38
09	0503010026	3/8" NUT		19
10	0501010984	10,50 X 27 X 3,00 FLAT WASHER		35
11	0503010751	C3/8" X 1.1/4" HEX BOLT G.5		02
12	0503010237	3/8" X 1" BOLT		20
13	0511059105	SLUICE VALVE SUPPORT	18	01
14	0511059108	SLUICE VALVE COVER ASSY	20	01
15	0561014861	REGULATOR		01
16	0511013015	SLEEVE		01
17	0503010561	SPRING PIN		01
18	0531014340	REAR PROTECTION		01
19	0521011107	CRANK BODY		01
20	0503010257	1/8" X 1" COTTERPIN		01
21	0503030878	LEVER CRANK		01
22	0511063408	REAR COVER PROTECTION		01
23	0501017574	0.3" X 2.7" AXLE		02
24	0503010140	1/8" X 3/4" COTTERPIN		02
25	0503010386	CABLE		04
26	0501048241	DRIVE SHAFT	21	01
27	0501048409	DRIVE SHAFT	22	01
28	0503011268	3/8" X 2-1/2" BOLT		02
29	0503010765	3/8" X 3" BOLT		01
30	0503030198	0.6" X 2.4" X 0.1" EXTENSION SPRING		01
31	0503062157	DRAWBAR JACK	23	01



Item	Code	Description	See page	QT
32	0521010549	COUPLING SHAFT		01
33	0503030168	HITCH PIN CLIP		05
34	0503031859	ADHESIVE LABEL DANGER		02
35	0503031428	READ MANUAL DECAL		01
36	0503031827	LUBRICATE AND RETIGHTEN DAILY DECAL		01
37	0503031087	ADHESIVE LABEL		01
38	0503031818	ADHESIVE LABEL		01
39	0503031809	ADHESIVE LABEL		01
40	0503032425	ADHESIVE LABEL ATTENTION		01
41	0503032949	ADHESIVE LABEL		01
42	0503030751	REGULATOR PLATE		01
43	0503012209	RIVET POP		04
44	0501050829	CHAIN TENSIONER		01
45	0503013150	1300 X 3/8 CHAIN		01
46	0581011220	COUPLING SHAFT		01
47	0503010131	3/16" X 1-1/2" COTTERPIN		01
48	0511063841	LARGER DEFLECTOR		01
49	0521017623	0.5" X 1.5" COUPLING SHAFT		04
50	0503034579	ADHESIVE LABEL		02
51	0503034578	ADHESIVE LABEL		02
52	0503013003	50-1 CHAIN X 79 LINK + REDUCTION + MENDING		01
53	0581015152	COVER PROTECTION		01
54	0591016128	SIDE PROTECTION BELT		01
55	0581017446	CHAIN CAP		01
56	0521068794	BELT INTERNAL PROTECTION		01
57	0581017494	TOP PROTECTION RECAMBIO		01
58	0581017496	PRISONER 3/8 UNC X 5/16 UNC X 175		03
59	0581017469	PROTECTION SIDE		01
60	0503010849	3/8" X 1-1/2" BOLT		04
61	0521068818	BEARING PROTECTION		01
62	0503010256	3/8" X 3/4" BOLT		04
63	0581017460	FRONT COVER		01
64	0581017488	LOWER PROTECTION BOARD CARDAN		01
65	0581017447	FRONT PROTECTION		01
66	0581017453	FLANGE PROTECTION COVER		01
67	0503019416	RIVET SCREW THREAD INTERNAL		07
68	0581017459	AXLE PROTECTION COVER		01
69	0503019729	THREAD SCREW INTERNAL		04
70	0591016127	SIDE PROTECTION BELT COVER		01
71	0503019413	THREAD SCREW INTERNAL		04
72	0503035156	LABEL ADHESIVE		01
73	0501047881	AXIS JOINT ASSY	24	01
74	0591016145	PROTECTION BEARING COVER BACK		01
75	0501011643	3/8 X 1" BOLT		02
76	0581017468	PROTECTION BODY		01
77	0531050102	CATALOGUE/MANUAL CANISTER ASSY	25	01
78	0503031427	ADHESIVE LABEL		01
79	0503034003	SERIAL NUMBER TAG 61 X 118		01
80	0503010001	3.2 X 5.5 RIVET		04
81	0503036144	MAXIMUM SPEED ADHESIVE LABEL		01



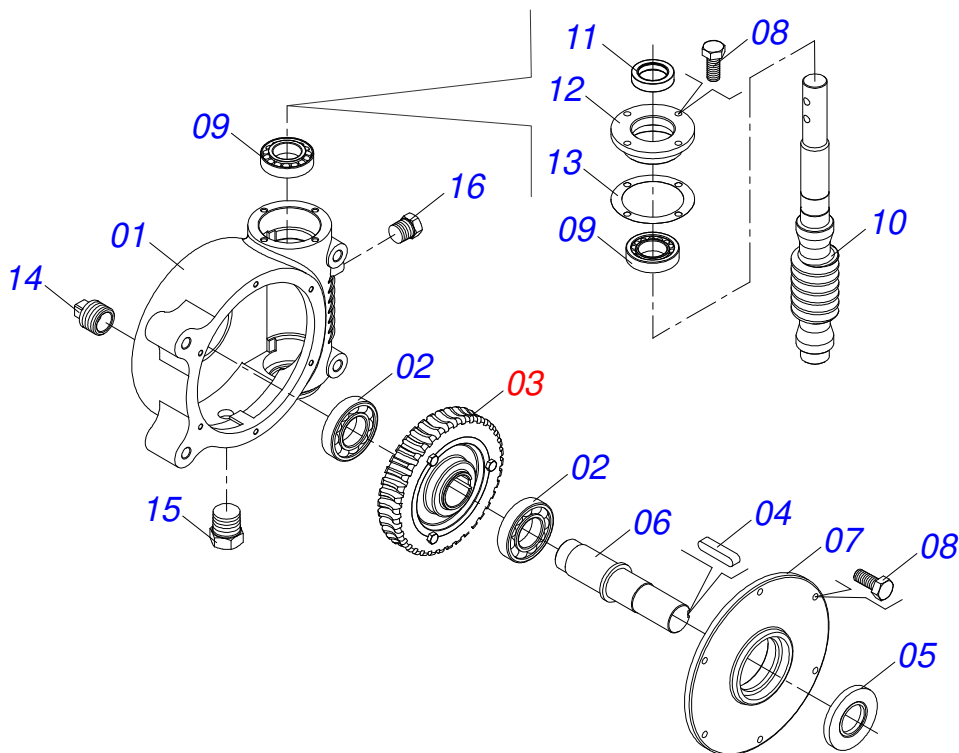
Item	Code	Description	See page	QT
01	0511063842	BUCKET		01
02	0531014324	TOOTH COVER		01
03	0531014337	PROTECTION LARGER		02
04	0531014331	SLUICE VALVE FIXER COVER		01
05	0503010237	3/8" X 1" BOLT		12
06	0503011443	3/8" SPRING WASHER		19
07	0503010026	3/8" NUT		27
08	0501010984	10,50 X 27 X 3,00 FLAT WASHER		10
09	0591016382	DRIVEN AXLE		01
10	0591016380	GEAR		06
11	0503010361	SPRING PIN		08
12	0501044308	AGRICULTURAL BEARING ASSY		04
13	0503010233	5/8" X 2-1/2" BOLT		04
14	0503010013	5/8 NUT		06
15	0503011445	SPRING WASHER		08
16	0501012140	FLAT WASHER		08
17	0591016381	DRIVING AXLE		01
18	0503010740	BOLT 1/2 UNC X 2 CS G.5 ZN		10
19	0511017302	FLAT WASHER 13,50 X 32,50 X 3,0 ZN		26
20	0503011440	SPRING WASHER		26
21	0503010060	1/2 UNC G.5 ZN HEX NUT		26
22	0501067853	ROD STABILIZER		02
23	0501010540	KEYWAY SQUARE		02
24	0511016540	MAT COUPLING FLANGE		01
25	0511016541	REDUCTION COUPLING FLANGE		01
26	0503010849	3/8" X 1-1/2" BOLT		03
27	0501047985	REDUCER	4	01
28	0503011167	M16 X 2 X 30 BOLT		04
29	0501069020	35Z GEAR		02
30	0503011141	3/8" X 2-3/4" BOLT		02
31	0501053868	BELT TENSIONER ASSY	6	01



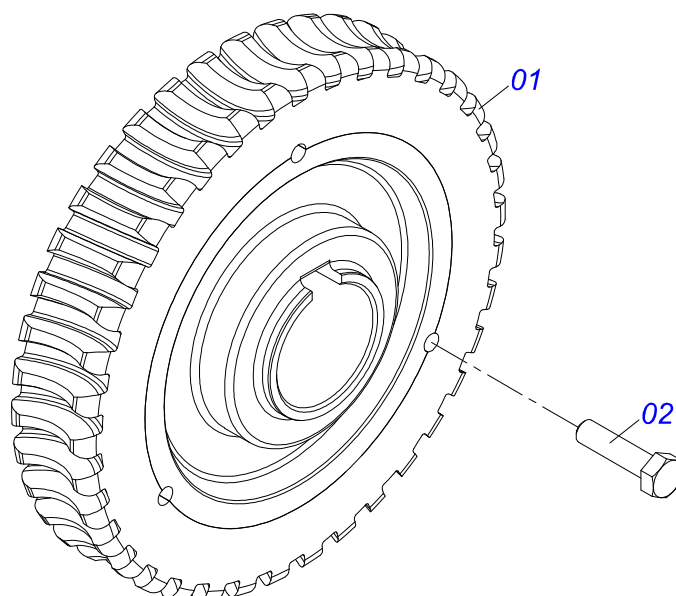
BUCKET

0501054086

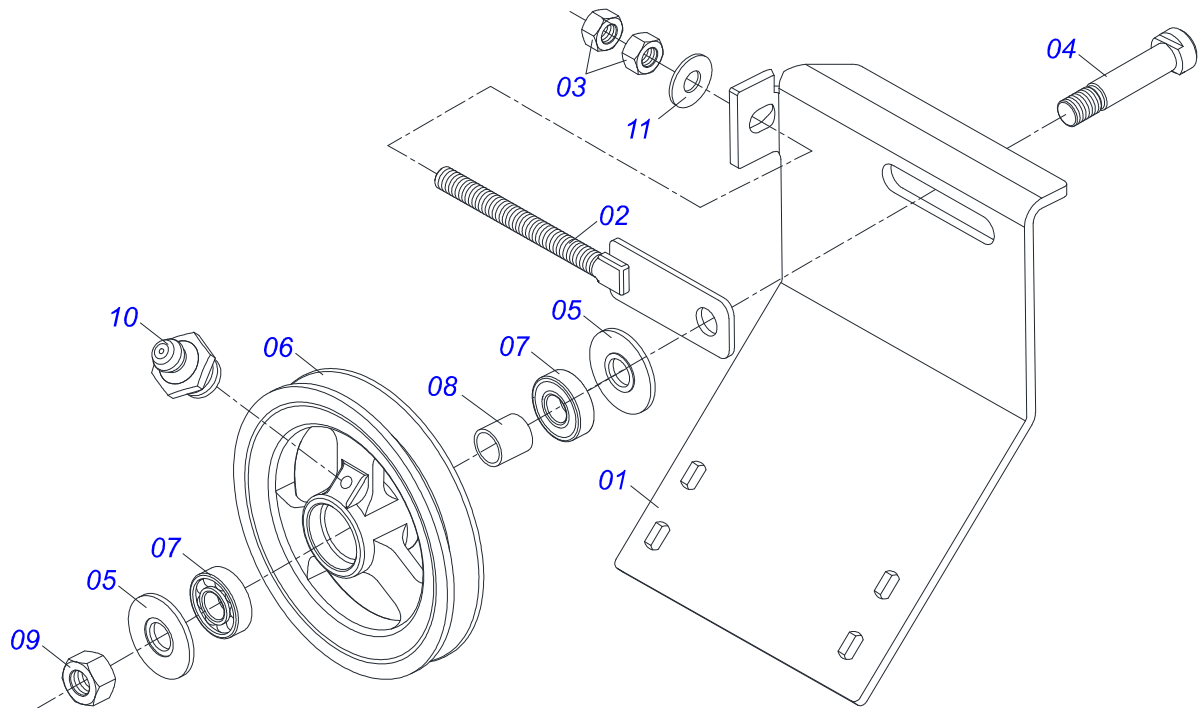
Item	Code	Description	See page	QT
32	0511063668	REAR FIXER COVER		01
33	0503010920	1/2 UNC X 1.1/2 C S G.5 ZN BOLT		12
34	0511063659	RIGHT FLOW DIVIDING		01
35	0511063660	LEFT FLOW DIVIDING		01
36	0531061725	REAR DEFLECTOR SUPPORT		01
37	0531015309	TENSIONER OPEN		01
38	0531061722	DIVIDER OPENING REGULATOR		02
39	0501054013	RIGHT BEARRING SUPPORT DISC	7	02
40	0501053870	DISTRIBUTOR RIGHT DISC ASSY	9	01
41	0501053871	DISTRIBUTOR LEFT DISC ASSY	10	01
42	0511041213	AGRICULTURAL BEARING	11	03
43	0531014330	DRIVE AXLE		01
44	0501010536	KEYWAY SQUARE		01
45	0503011446	SPRING WASHER		05
46	0511014052	FLAT WASHER		01
47	0503010355	7/16" X 1" BOLT		01
48	0521053161	CARDAN SUPPORT WITHOUT SPRING	12	01
49	0501044306	BATH BEARING	13	01
50	0503010244	7/16" NUT		04
51	0521012443	TRANSMISSION AXLE		01
52	0531061723	BUMPER WITH CLIP		01
53	0501069017	12Z GEAR		01
54	0503010756	0.2" X 2.4" SPRING PIN		06
55	0511063813	DRIVE THE TRANSPORT TALISCA		01
56	0503011268	3/8" X 2-1/2" BOLT		01
57	0503011135	BOLT		04
58	0521057116	FULL HITCH	14	01
59	0521068825	SUPPORT AXLE PROTECTION		01
60	0521068822	BEARING PROTECTION		03
61	0521068791	TRANSMISSION PROTECTION COVER		01
62	0503011087	3/8" X 1" BOLT		02
63	0503010238	BOLT 1/2 UNC X 1.3/4 CS G.2 ZN		04
64	0502012936	1 C X 219 X 30 PULLEY		01
65	0581015151	FIXING BODY COVER PROTECTION		01
66	0581017504	BEARING PROTECTION SUPPORT		01
67	0591016126	FIXING BODY SIDE PROTECTION BELT		01
68	0503010751	C3/8" X 1.1/4" HEX BOLT G.5		02
69	0501010942	3/8" X 1-1/4" BOLT		01
70	0531050089	FULL DISK PROTECTOR	15	01
71	0503010756	0.2" X 2.4" SPRING PIN		06



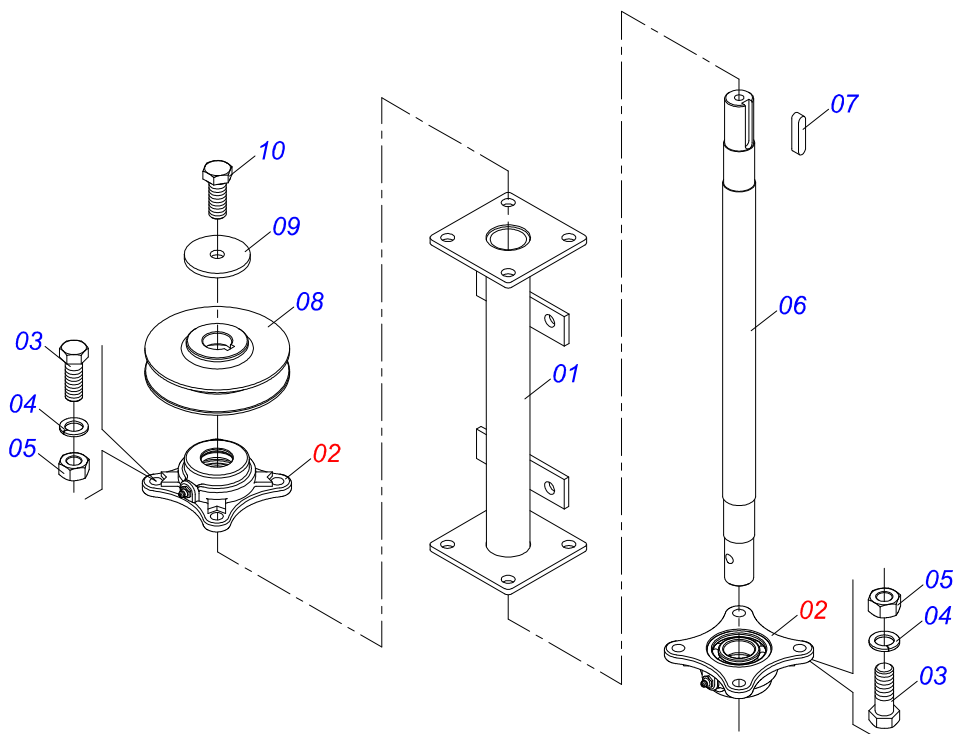
Item	Code	Description	See page	QT
01	0502011456	REDUCTION BOX		01
02	0503011095	6208 BALL BEARING		02
03	0501051774	38Z CROWN	5	01
04	0503011304	1/2" X 2.4" KEYWAY SQUARE		01
05	0503010818	02675-BRG SEAL		01
06	0521010996	AXLE		01
07	0502020556	LARGER COVER		01
08	0503010240	BOLT		10
09	0503010016	BEARING LM		02
10	0521010997	SCREW THEAD		01
11	0503011171	00912-BRG SEAL		01
12	0502011457	SMALLER COVER		01
13	0503030981	102 X 75,5 X 0,10 JOINT		01
14	0521011023	PLUG		01
15	0513010009	LEVEL DISPLAY		01
16	0503010856	OIL PLUG		01



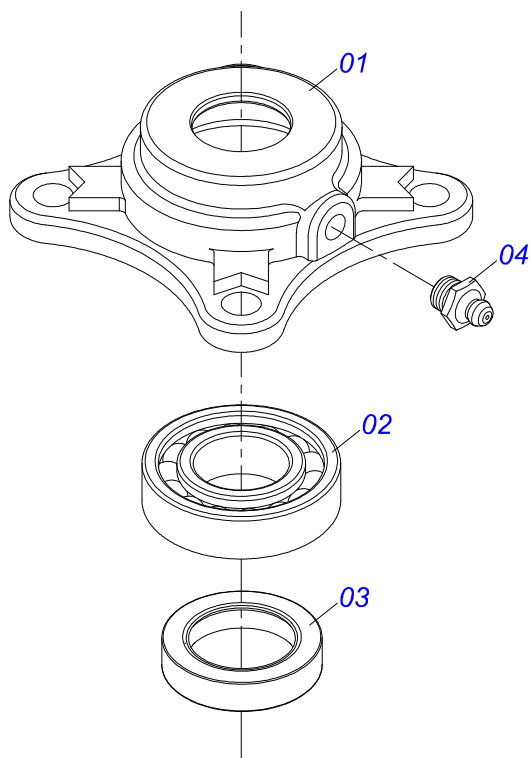
Item	Code	Description	See page	QT
01	0501110280	38Z CONICAL		01
02	0503010365	BOLT 5/16 UNC X 1.1/4 C S G.5 ZN		03



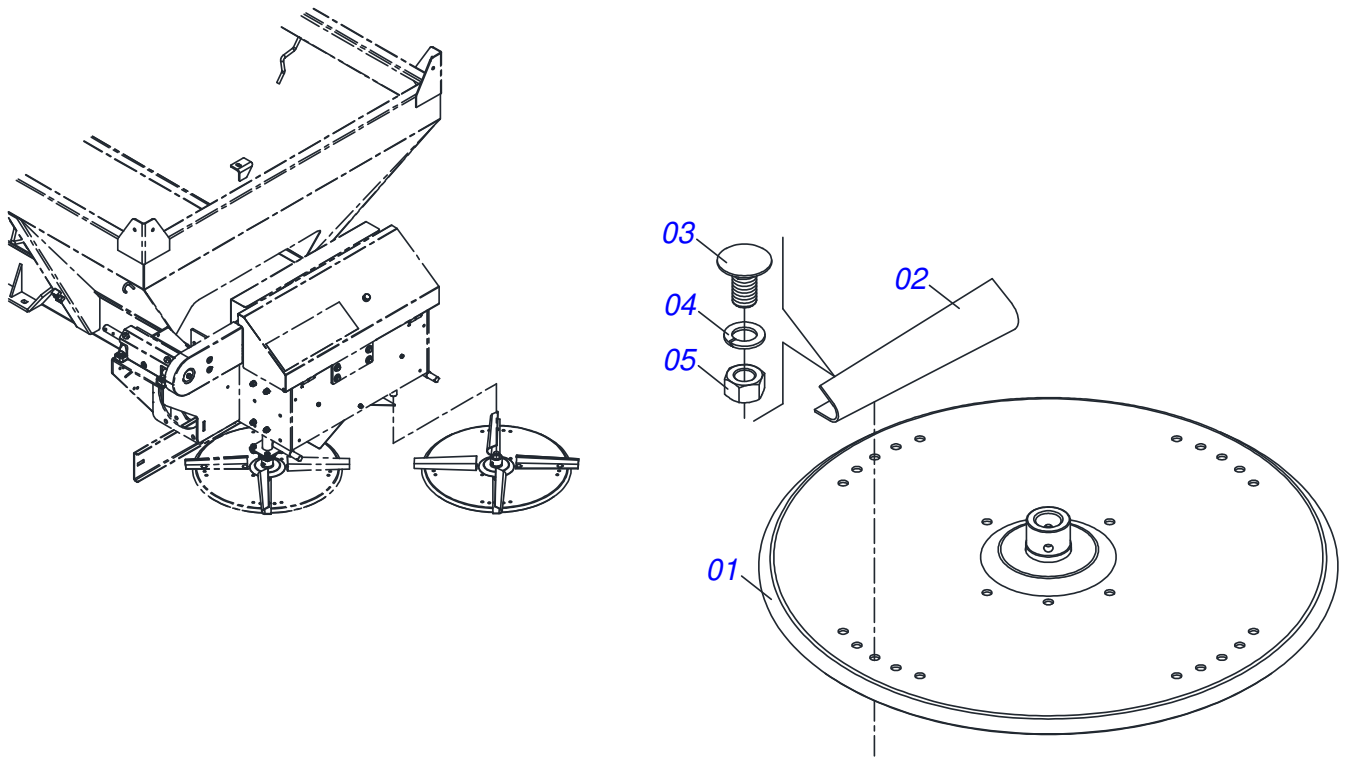
Item	Code	Description	See page	QT
01	0531014326	PULLEY BODY SUPPORT		01
02	0511064818	PULLEY TENSIONER		01
03	0503010013	5/8 NUT		02
04	0511012362	TIGHTENER AXLE PULLEY		01
05	0501019288	WASHER SPACER		02
06	0502011366	REEL 1C 8.3" X 1.6" PULLEY		01
07	0503010690	6204 BALL BEARING		02
08	0521010497	0.8" X 1.1" X 1.1" SPACER		01
09	0503010014	3/4" HEX NUT		01
10	0503010002	1800 GREASE FITTING		01
11	0501012140	FLAT WASHER		01



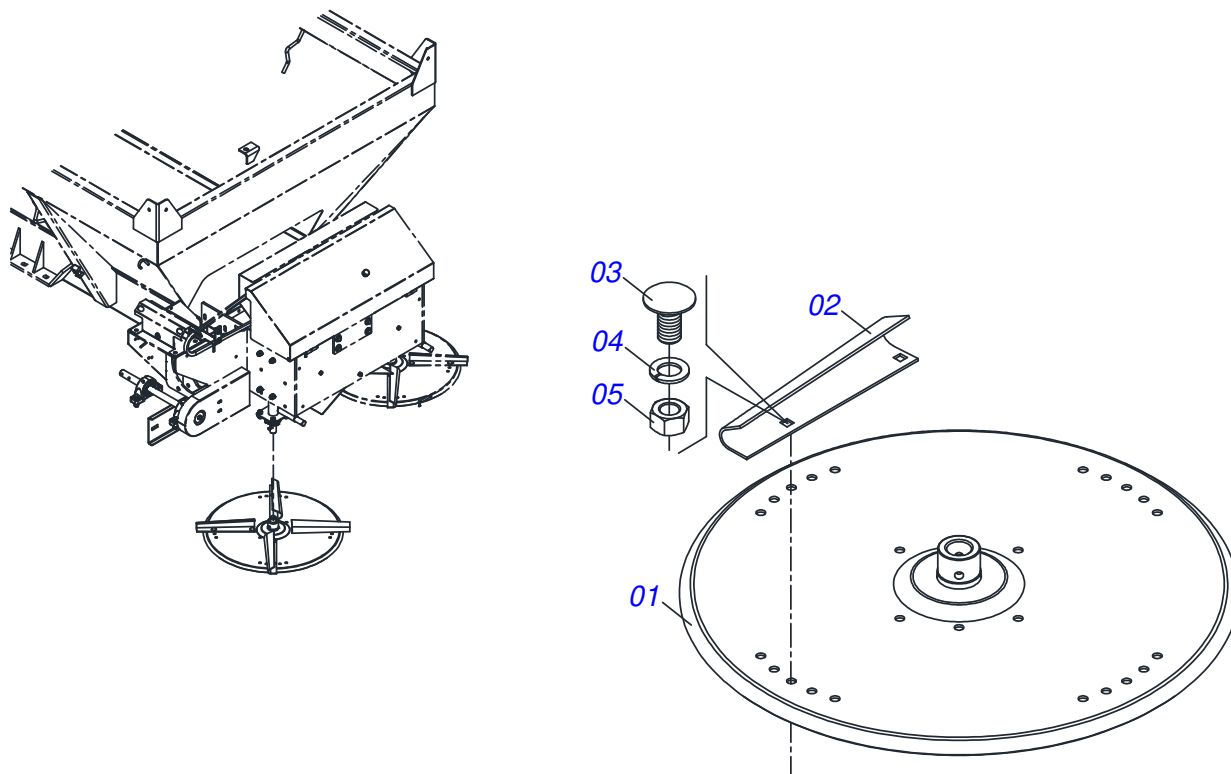
Item	Code	Description	See page	QT
01	0511063742	DISTRIBUTOR RIGHT/LEFT SUPPORT		01
02	0501048000	AGRICULTURAL BEARING	8	02
03	0503011135	BOLT		08
04	0503011446	SPRING WASHER		08
05	0503010244	7/16" NUT		08
06	0511016489	DISTRIBUTOR AXLE CONDUCTOR DISC		01
07	0501010536	KEYWAY SQUARE		01
08	0502011361	REEL 1C 5.5" X 1.1" PULLEY		01
09	0511014052	FLAT WASHER		01
10	0503010237	3/8" X 1" BOLT		01



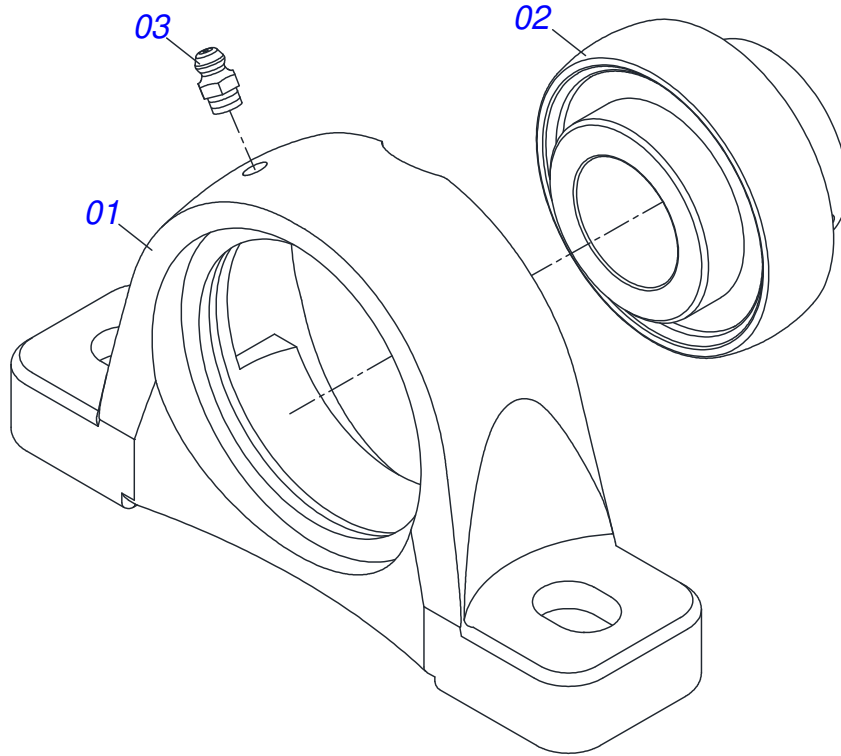
Item	Code	Description	See page	QT
01	0502011442	AGRICULTURAL HOUSING BEARING		01
02	0503010276	6206 BALL BEARING		01
03	0503011865	SEAL		01
04	0503010002	1800 GREASE FITTING		01



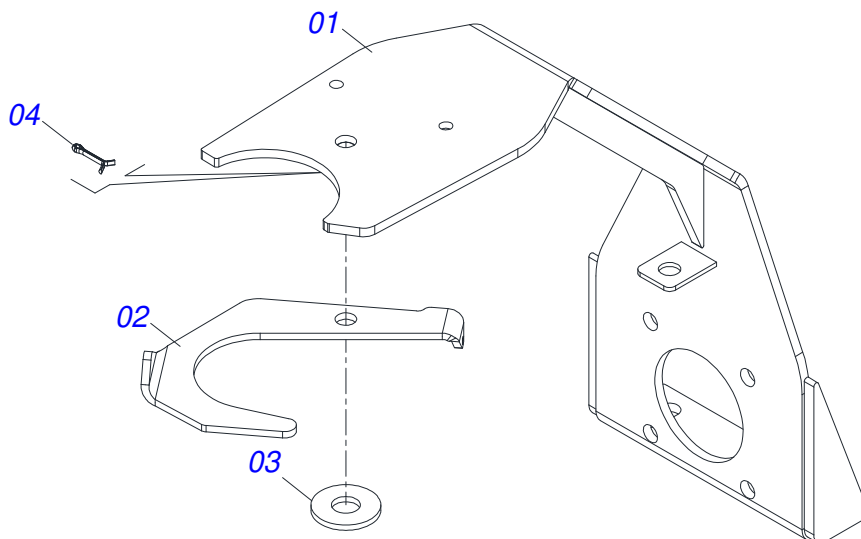
Item	Code	Description	See page	QT
01	0511063411	DISTRIBUTOR DISC		01
02	0531014343	RH FLIP		04
03	0503013029	3/8" X 3/4" BOLT		08
04	0503011443	3/8" SPRING WASHER		08
05	0503010026	3/8" NUT		08



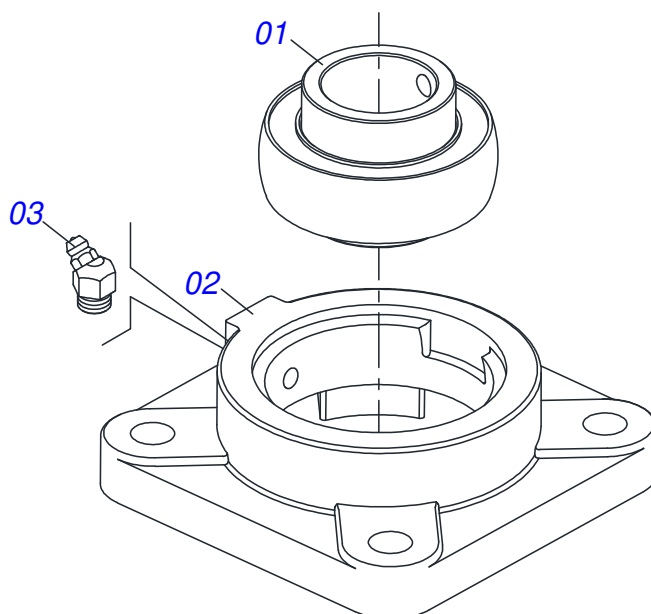
Item	Code	Description	See page	QT
01	0511063411	DISTRIBUTOR DISC		01
02	0531014344	LH FLIP		04
03	0503013029	3/8" X 3/4" BOLT		08
04	0503011443	3/8" SPRING WASHER		08
05	0503010026	3/8" NUT		08



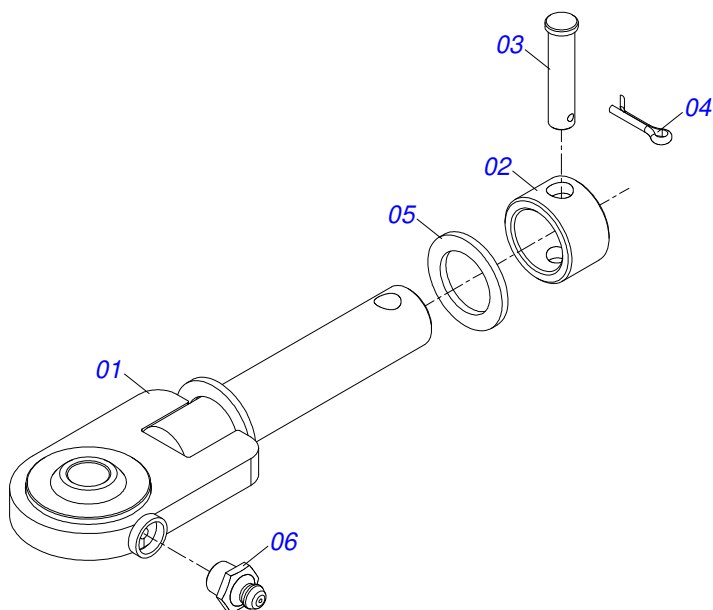
Item	Code	Description	See page	QT
01	0502011954	AGRICULTURAL HOUSING BEARING		01
02	0503011884	BALL BEARING		01
03	0503010691	1/4" GREASE FITTING		01



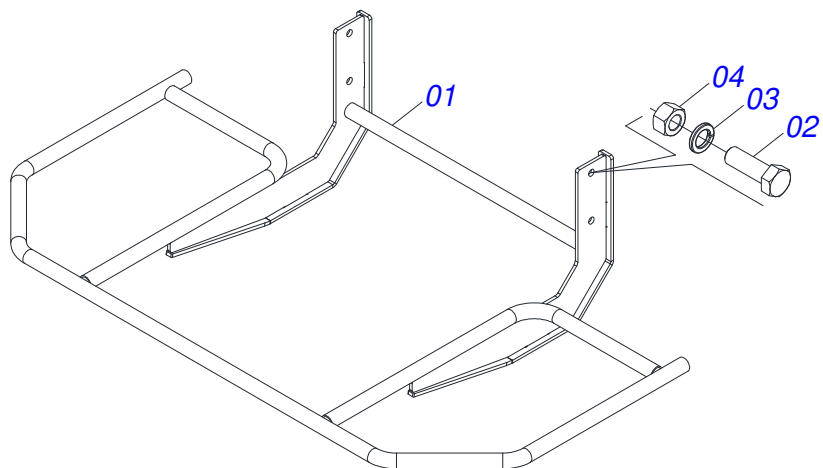
Item	Code	Description	See page	QT
01	0521068817	SUPPORT SUSTENANCE CARDAN		01
02	0511014066	CARDAN SMALLE SUPPORT		01
03	0511017302	FLAT WASHER 13,50 X 32,50 X 3,0 ZN		01
04	0503010257	1/8" X 1" COTTERPIN		01



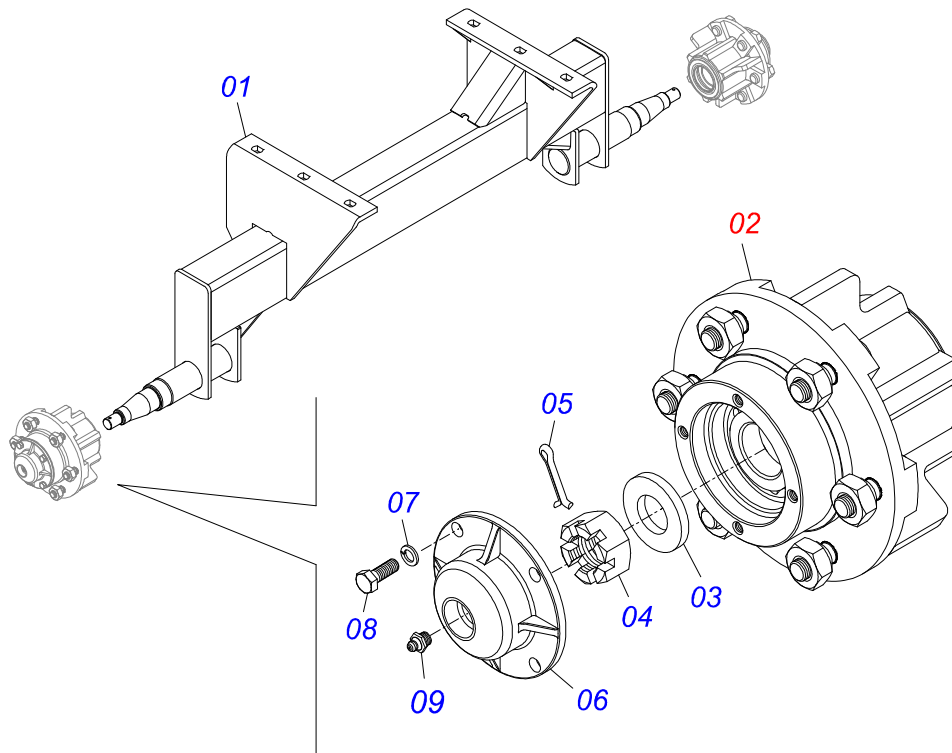
Item	Code	Description	See page	QT
01	0503011162	BALL BEARING		01
02	0503011146	HOUSING BEARING		01
03	0503011099	GREASE FITTING		01



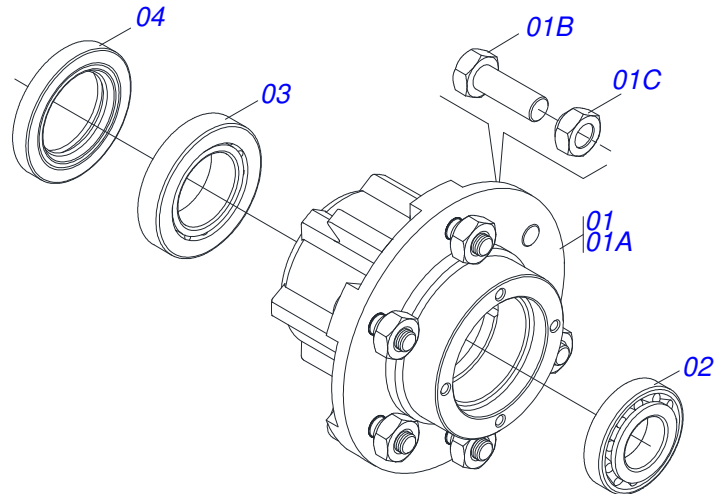
Item	Code	Description	See page	QT
01	0521068793	TRACTOR TRACTOR		01
02	0521010681	BUSHING COUPLING BODY		01
03	0521010639	COUPLING SHAFT		01
04	0503010571	1/4" X 1.1/2 COTTERPIN		01
05	0501015875	FLAT WASHER		01
06	0503010002	1800 GREASE FITTING		01



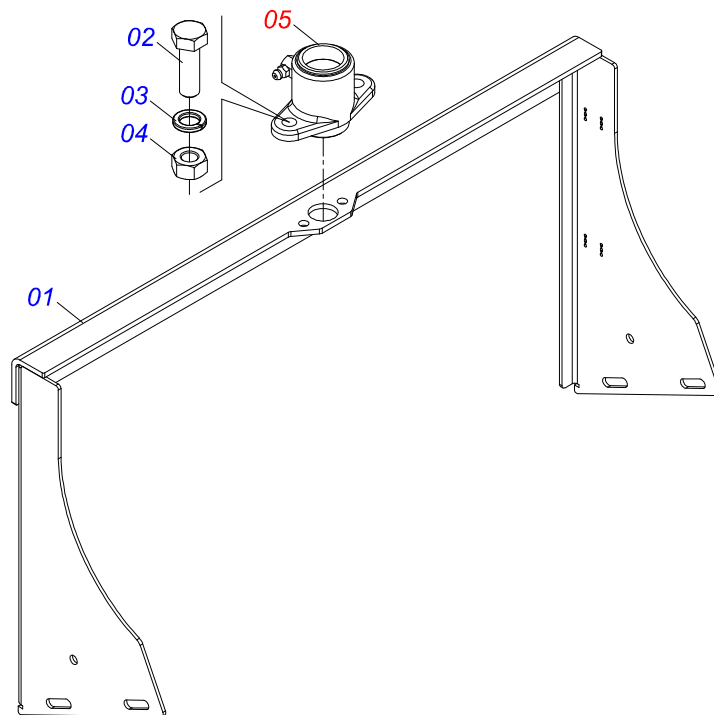
Item	Code	Description	See page	QT
01	0531061724	DISK PROTECTOR		01
02	0503010920	1/2 UNC X 1.1/2 C S G.5 ZN BOLT		04
03	0503011440	SPRING WASHER		04
04	0503010060	1/2 UNC G.5 ZN HEX NUT		04



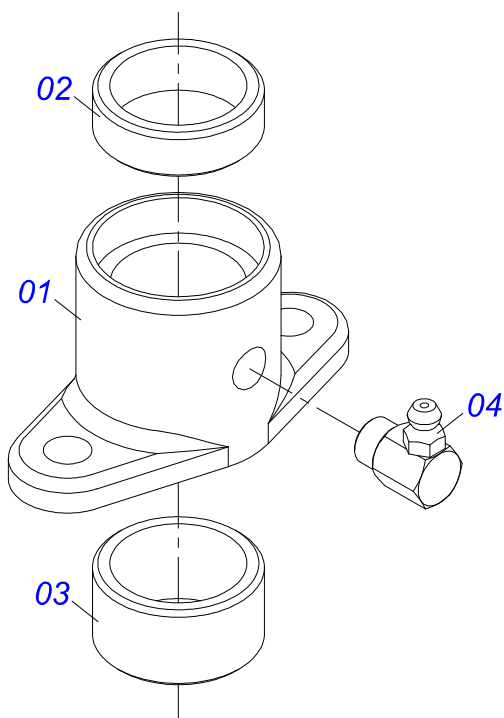
Item	Code	Description	See page	QT
01	0511063812	CARRYING-WHEELS SUPPORT FIXER		01
02	0501051142	CARRYING WHEEL HUB	17	02
03	0501016545	FLAT WASHER		02
04	0503030009	1" CASTLE NUT		02
05	0503010131	3/16" X 1-1/2" COTTERPIN		02
06	0502020591	PROTECCION COVER		02
07	0503011444	SPRING WASHER		08
08	0503010178	5/16" X 7/8" BOLT		08
09	0503010002	1800 GREASE FITTING		02



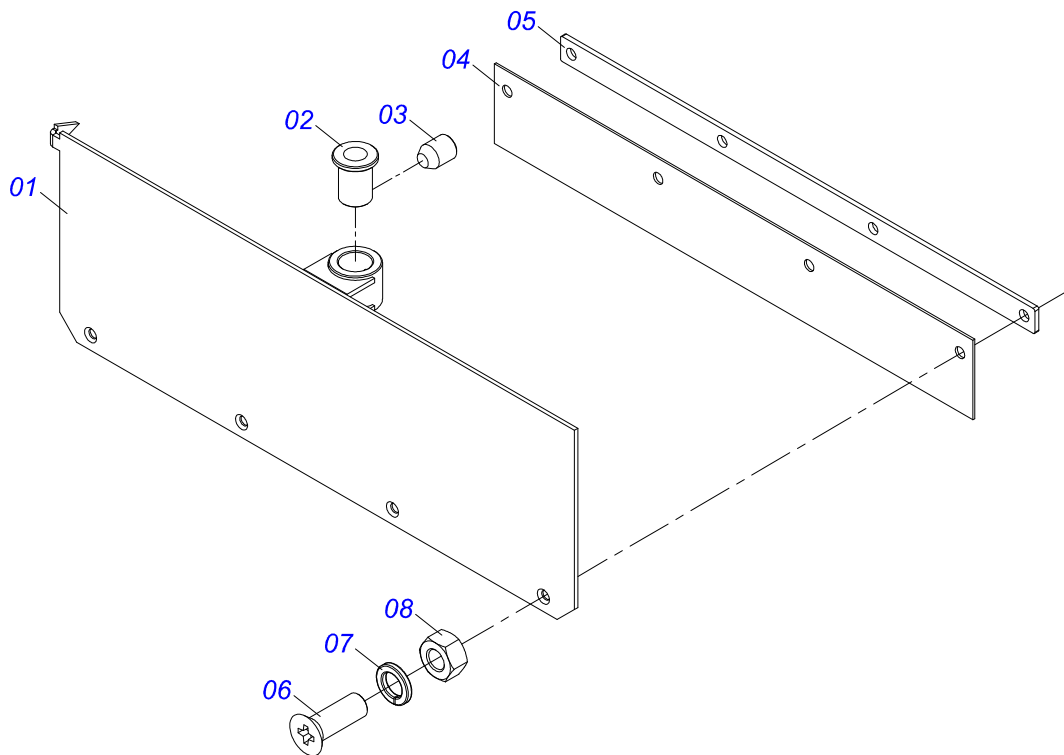
Item	Code	Description	See page	QT
01	0501110728	WHEEL HUB		01
01A	0502011121	CARRYING WHEEL HUB		01
01B	0501010127	9/16" X 1-7/8" LUG BOLT		06
01C	0503010035	9/16" CONIC NUT		06
02	0503010037	30207 ROLLER BEARING		01
03	0503010006	32210 ROLLER BEARING		01
04	0503012928	SEAL		01



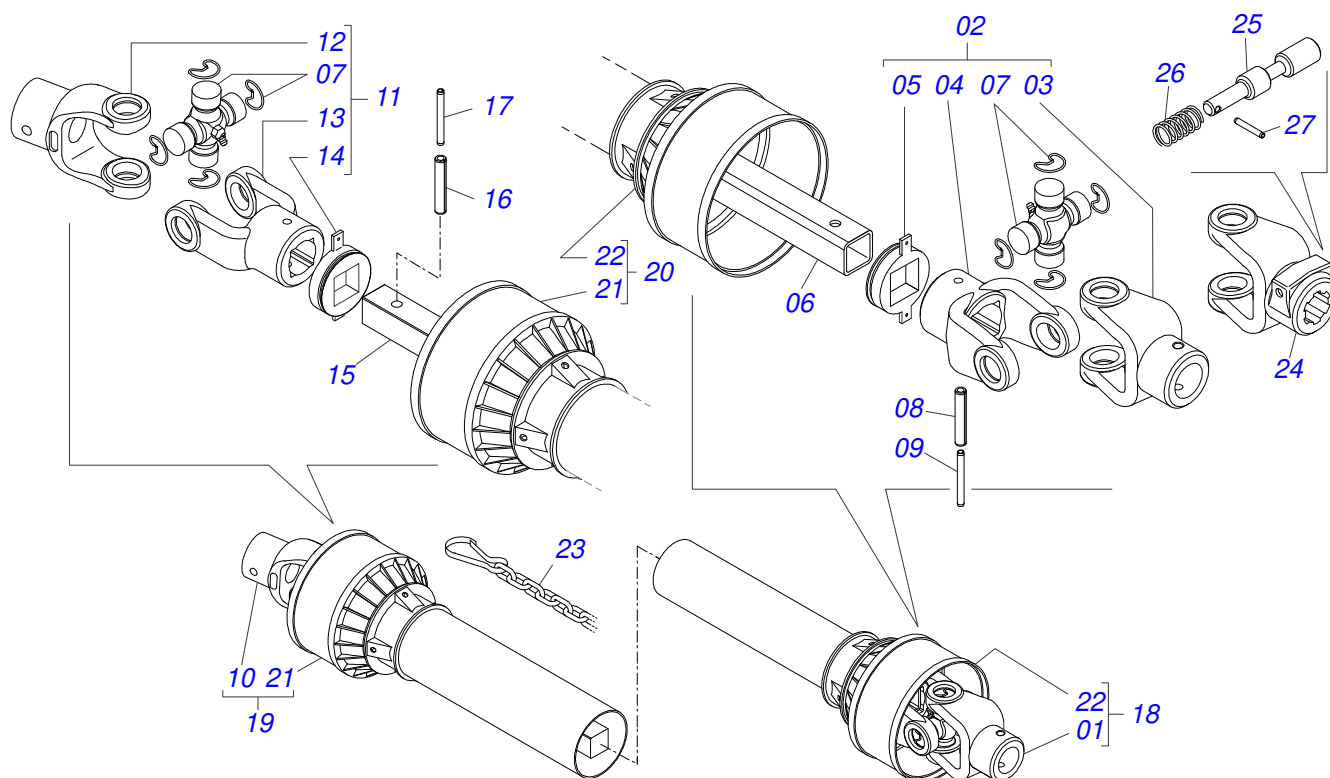
Item	Code	Description	See page	QT
01	0511063410	SLUICE VALVE SUPPORT		01
02	0503010363	BOLT 5/16 UNC X 1 C S G.2 ZN		02
03	0503011444	SPRING WASHER		02
04	0503010337	5/16" NUT		02
05	0511059094	SHAFT BEARING THREADED	19	01



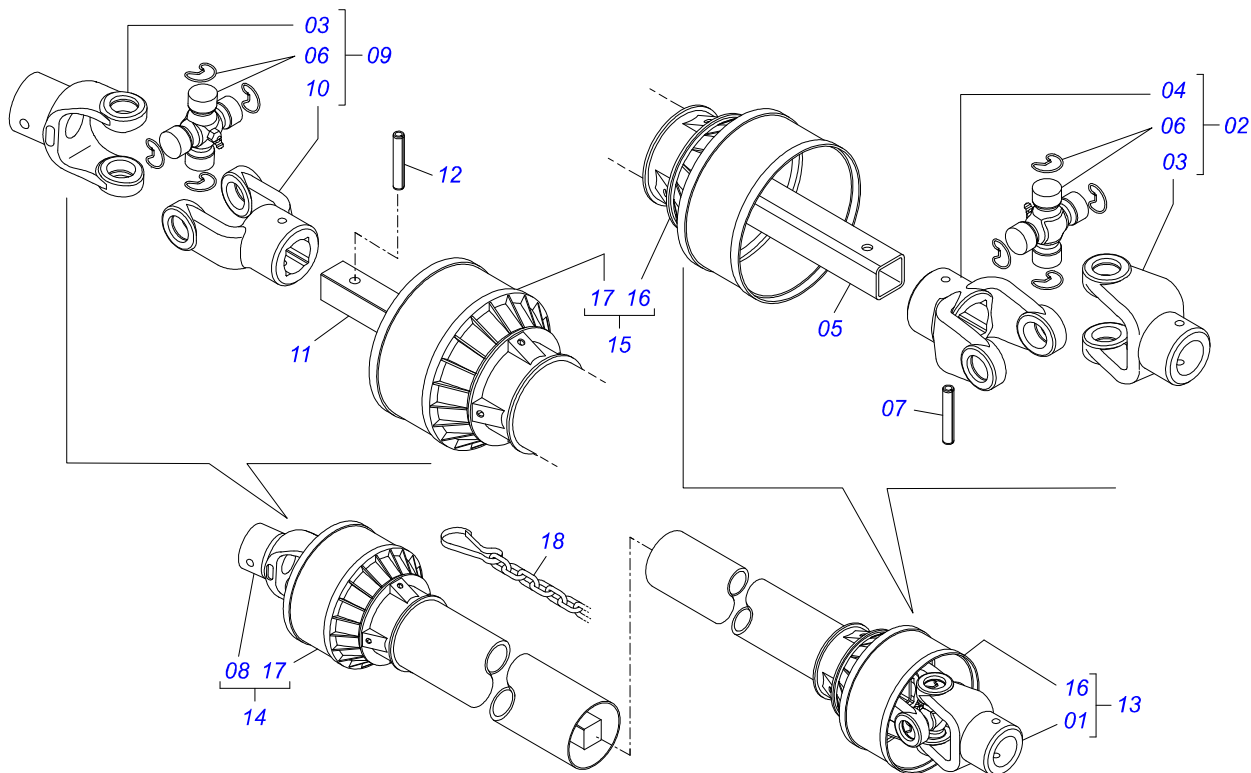
Item	Code	Description	See page	QT
01	0502010581	ROD BEARING		01
02	0521010458	SLEEVE		01
03	0521010457	SLEEVE		01
04	0503010004	1890 GREASE FITTING		01



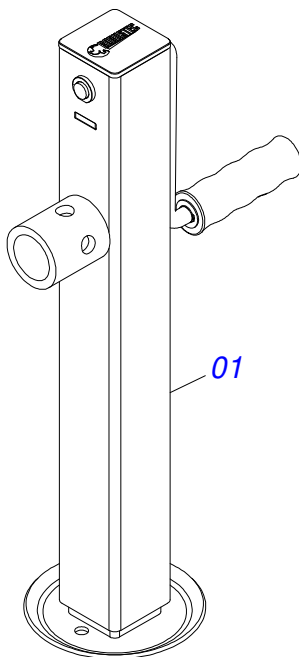
Item	Code	Description	See page	QT
01	0511063413	SLUICE VALVE COVER		01
02	0501019831	ADJUSTING NUT		01
03	0503011148	3/8" X 1/2" BOLT		01
04	0531014336	31.4"X3.1"X 0.1" PROTECTION SMALLER		01
05	0531014331	SLUICE VALVE FIXER COVER		01
06	0503010546	5/16" X 7/8" BOLT		05
07	0503011444	SPRING WASHER		05
08	0503010337	5/16" NUT		05



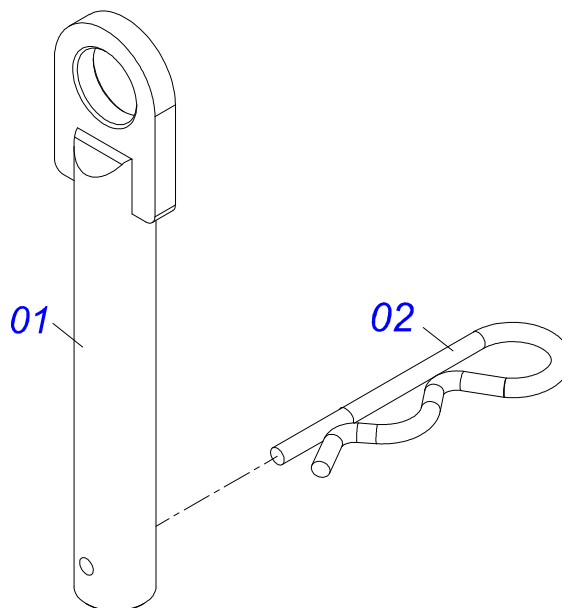
Item	Code	Description	See page	QT
01	0501052176	SLEEVE UNIVERSAL JOINT	01	01
02	0501050265	UNIVERSAL JOINT	01	01
03	0501050333	1-40 TERMINAL WITH HITCH	01	01
04	0502010565	2-40 TERMINAL WITH SH 1.5"/1.5"	01	01
05	0503012069	ADAPTER FOR BUSHING PROTECT	01	01
06	0521013800	16" X 1.4" SQUARE SLEEVE	01	01
07	0503010836	CARDAN CROSSPIECE	02	01
08	0503011069	0.4" X 2.8" SPRING PIN	01	01
09	0503010510	0.2" X 2.6" SPRING PIN	01	01
10	0501052177	AXLE UNIVERSAL JOINT	01	01
11	0501052178	UNIVERSAL JOINT	01	01
12	0502011611	9-40 TERMINAL	01	01
13	0502010566	3-40 TERMINAL WITH SH 1.2"/1.2"	01	01
14	0503012070	ADAPTER FOR AXLE PROTECTION	01	01
15	0521013801	1.2" X 15.7" SQUARE SHAFT	01	01
16	0503010361	SPRING PIN	01	01
17	0503010756	0.2" X 2.4" SPRING PIN	01	01
18	0501052179	PROT/SLEEVE UNIVERSAL JOINT	01	01
19	0501052180	PROT/AXLE UNIVERSAL JOINT	01	01
20	0503012277	PROTECTION ASSY	01	01
21	0503012279	PROTECTION FOR UNIV JOINT AND AXLE	01	01
22	0503012278	PROTECTION FOR UNIV JOINT SLEEVE	01	01
23	0503012023	CHAIN FOR PROTECTION	02	01
24	0502010563	1-40 STRIATED 1.3/8" TERMINAL	01	01
25	0521010638	13,70 X 78 HITCH PIN	01	01
26	0503030518	0.5"X1.0"X 0.1" COMPRESSION SPRING	01	01
27	0503010838	0.1" X 0.8" SPRING PIN	01	01



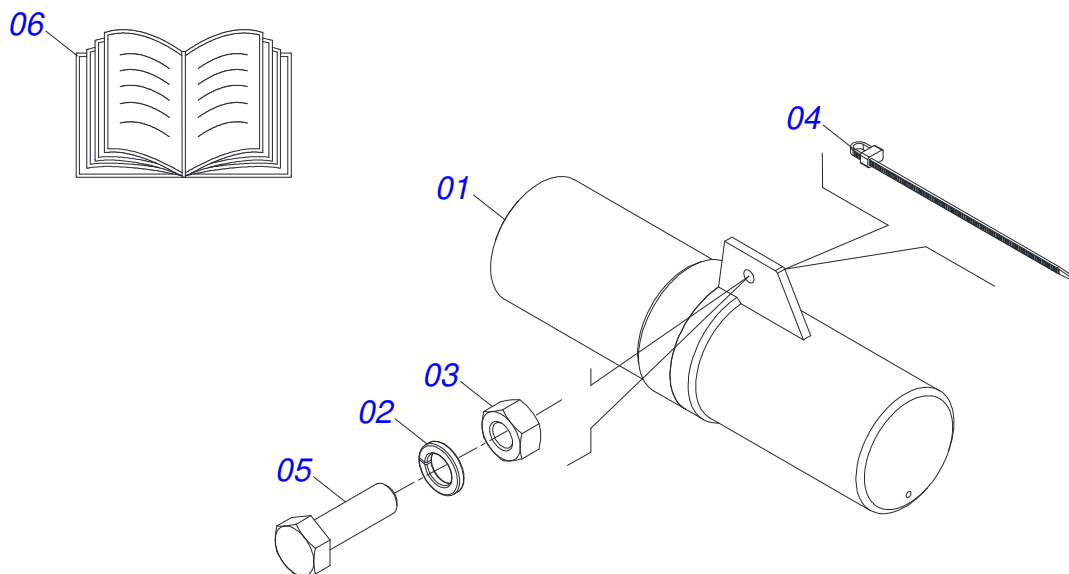
Item	Code	Description	See page	QT
01	0501052160	SLEEVE UNIVERSAL JOINT		01
02	0501051718	UNIVERSAL JOINT		01
03	0502010558	4-20 TERMINAL WITH ROLES		02
04	0502011426	2-20 TERMINAL		01
05	0521013797	0.9\"X1.1\"X31.5\" SQUARE SLEEVE		01
06	0503010835	CARDAN CROSSPICE		02
07	0503010839	03\"X 0.6\" SPRING PIN		01
08	0501052161	UNIVERSAL JOINT WITH AXLE		01
09	0501051720	UNIVERSAL JOINT		01
10	0502011427	3-20 TERMINAL		01
11	0521013794	0.9\" X 31.5 SQUARE SHAFT		01
12	0503010301	0.3\" X 1.8\" SPRING PIN		01
13	0501052162	PROT/SLEEVE UNIVERSAL JOINT		01
14	0501052163	PROT/AXLE UNIVERSAL JOINT		01
15	0503012268	PROTECTION ASSY		01
16	0503012269	PROTECTION FOR UNIV JOINT SLEEVE		01
17	0503012270	PROTECTION FOR UNIV JOINT AND AXLE		01
18	0503012023	CHAIN FOR PROTECTION		01



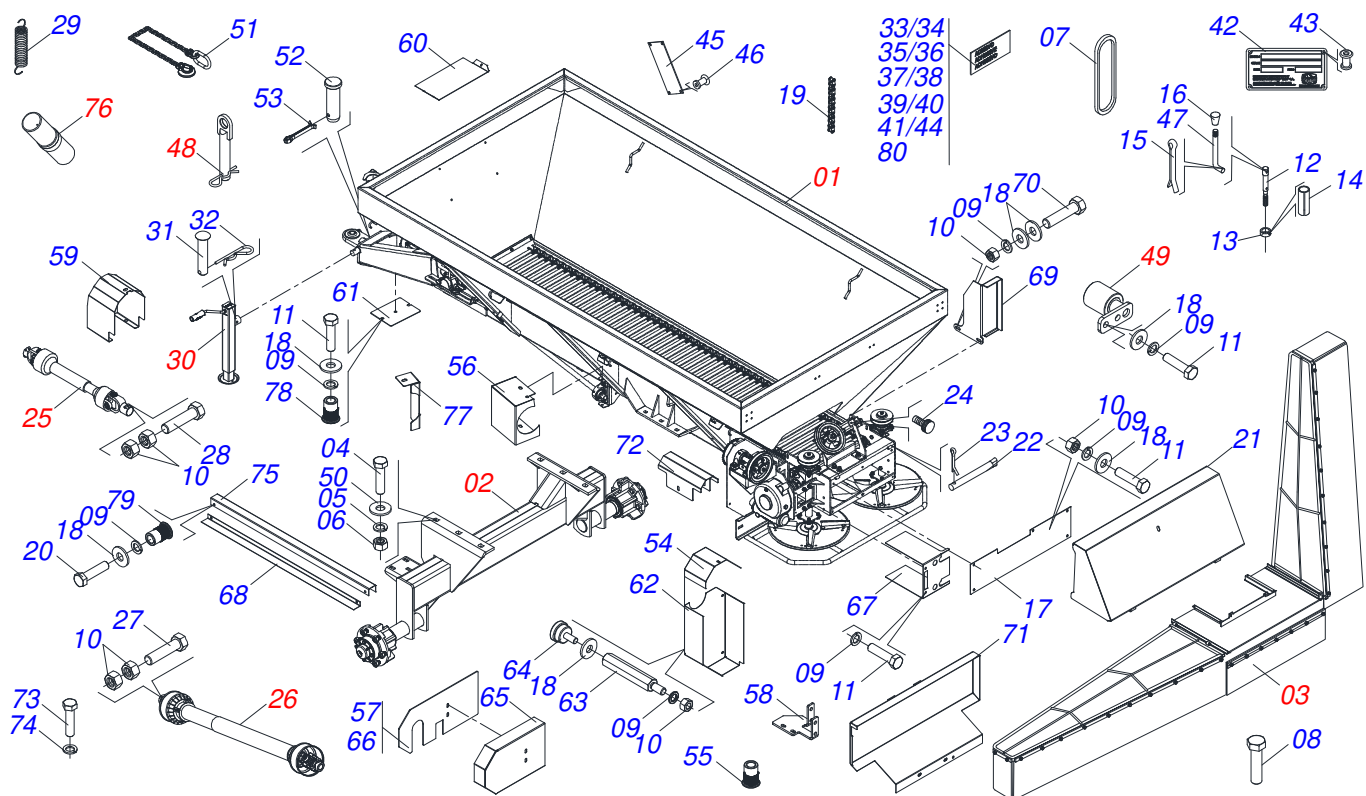
Item	Code	Description	See page	QT
01	0503062157	DRAWBAR JACK	23	01



Item	Code	Description	See page	QT
01	0501068989	COUPLING SHAFT		01
03	0503031035	HITCH PIN CLIP		01

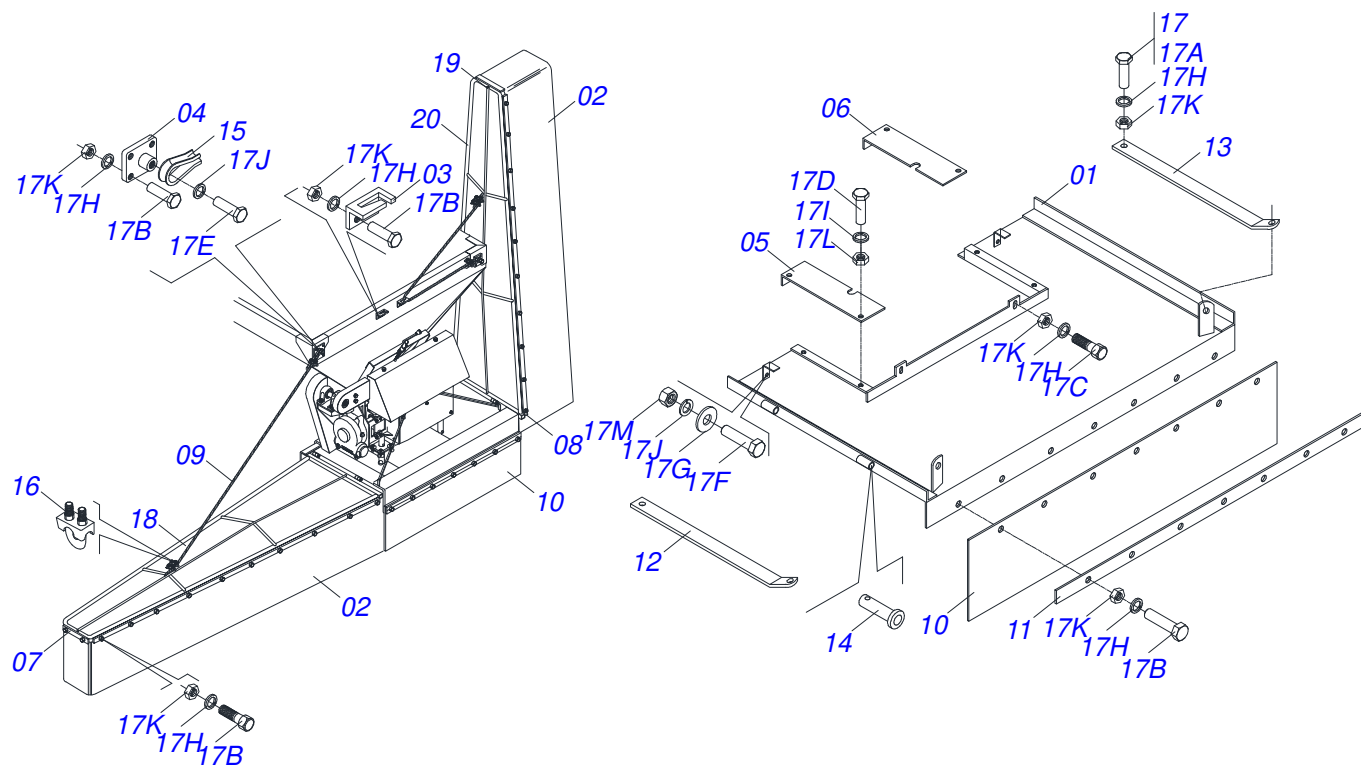


Item	Code	Description	See page	QT
01	0503060100	INSTRUCTIONS MANUAL CANISTER		01
02	0503010179	LOCK WASHER 5/16 ZN 1K01528		01
03	0503010337	5/16" NUT		01
04	0503010267	NYLON CLAMP		01
05	0503010363	BOLT 5/16 UNC X 1 C S G.2 ZN		01
06	0501036432	CAT BAG / MANUAL		01



Item	Code	Description	See page	QT
01	0501054086	BUCKET	3	01
02	0511041062	SUPPORT FIXATION	16	01
03	0531052375	DAMPER	27	01
04	0503010899	5/8 UNC X 2.1/4 BOLT		06
05	0503010027	5/8 SPRING WASHER		06
06	0503010013	5/8 NUT		06
07	0503012941	C-148 BELT		01
08	0503010751	C3/8" X 1.1/4" HEX BOLT G.5		02
09	0503010025	3/8 SPRING WASHER		26
10	0503010026	3/8" NUT		22
11	0503010237	3/8" X 1" BOLT		13
12	0561014861	REGULATOR		01
13	0511013015	SLEEVE		01
14	0503010561	SPRING PIN		01
15	0503010257	1/8" X 1" COTTERPIN		01
16	0503030878	LEVER CRANK		01
17	0531014340	REAR PROTECTION		01
18	0501010984	10,50 X 27 X 3,00 FLAT WASHER		30
19	0503013003	50-1 CHAIN X 79 LINK + REDUCTION + MENDING		01
20	0503010256	3/8" X 3/4" BOLT		12
21	0511063408	REAR COVER PROTECTION		01
22	0501017574	0.3" X 2.7" AXLE		02
23	0503010140	1/8" X 3/4" COTTERPIN		02
24	0503010386	CABLE		01
25	0501048241	DRIVE SHAFT	21	01
26	0501048409	DRIVE SHAFT	22	01
27	0503011268	3/8" X 2-1/2" BOLT		02
28	0503010765	3/8" X 3" BOLT		01
29	0503030198	0.6" X 2.4" X 0.1" EXTENSION SPRING		01
30	0503062157	DRAWBAR JACK	23	01
31	0521010549	COUPLING SHAFT		01

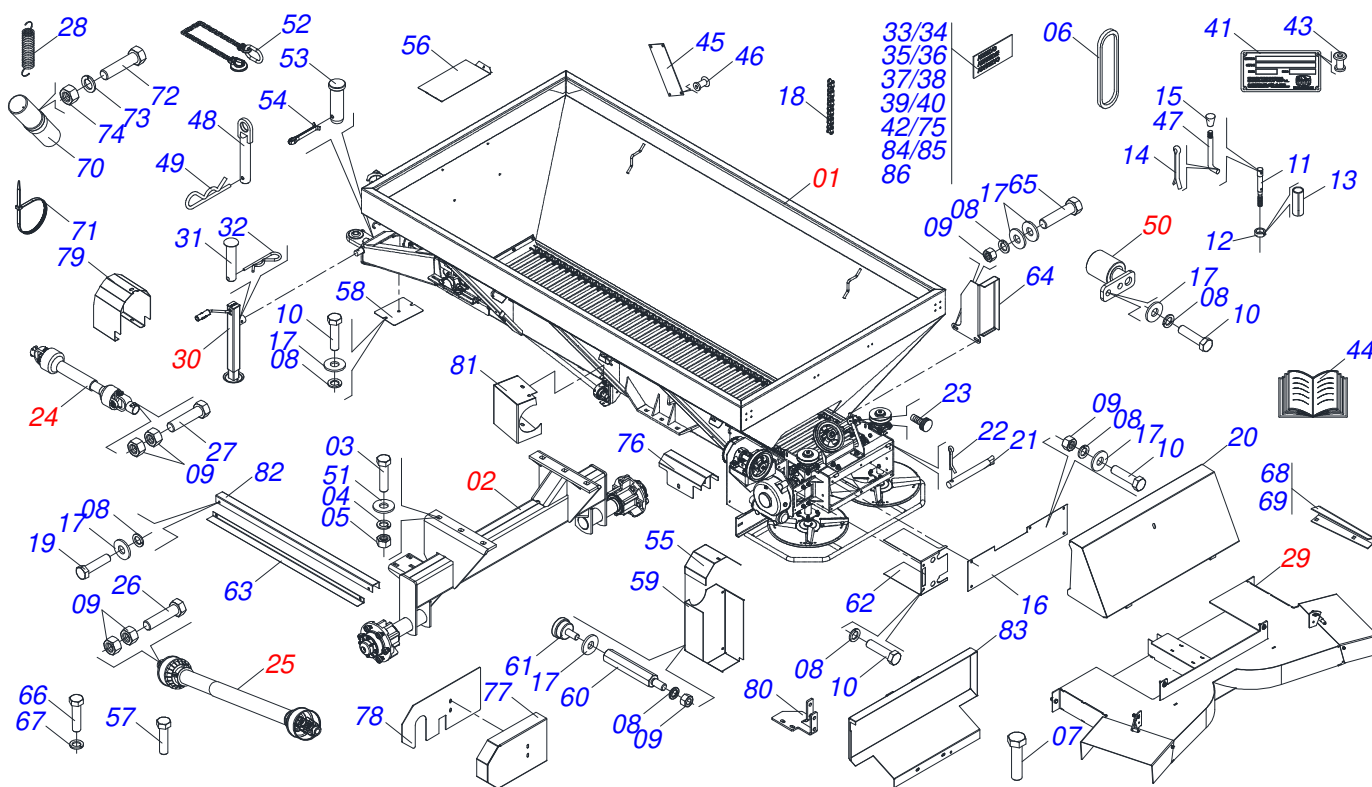
Item	Code	Description	See page	QT
32	0503030168	HITCH PIN CLIP		01
33	0503034578	ADHESIVE LABEL		02
34	0503031751	ADHESIVE LABEL		01
35	0503031859	ADHESIVE LABEL DANGER		02
36	0503031428	READ MANUAL DECAL		01
37	0503031827	LUBRICATE AND RETIGHTEN DAILY DECAL		01
38	0503031087	ADHESIVE LABEL		01
39	0503031818	ADHESIVE LABEL		01
40	0503031809	ADHESIVE LABEL		01
41	0503032425	ADHESIVE LABEL ATTENTION		01
42	0503034003	SERIAL NUMBER TAG 61 X 118		01
43	0503010001	3.2 X 5.5 RIVET		04
44	0503032949	ADHESIVE LABEL		01
45	0503030751	REGULATOR PLATE		01
46	0503012209	RIVET POP		04
47	0521011107	CRANK BODY		01
48	0501047881	AXIS JOINT ASSY	24	01
49	0501050829	CHAIN TENSIONER		01
50	0501012140	FLAT WASHER		12
51	0503013150	1300 X 3/8 CHAIN		01
52	0581011220	COUPLING SHAFT		01
53	0503010131	3/16" X 1-1/2" COTTERPIN		01
54	0581017494	TOP PROTECTION RECAMBIO		01
55	0503019413	THREAD SCREW INTERNAL		04
56	0521068818	BEARING PROTECTION		01
57	0521068792	COVER PROTECTION		01
58	0521068801	SUPPORT BELT PROTECTION		01
59	0581017468	PROTECTION BODY		01
60	0581017447	FRONT PROTECTION		01
61	0581017488	LOWER PROTECTION BOARD CARDAN		01
62	0581017446	CHAIN CAP		01
63	0581017496	PRISONER 3/8 UNC X 5/16 UNC X 175		03
64	0503010386	CABLE		03
65	0591016128	SIDE PROTECTION BELT		01
66	0591016127	SIDE PROTECTION BELT COVER		01
67	0581017453	FLANGE PROTECTION COVER		01
68	0581017460	FRONT COVER		01
69	0581017469	PROTECTION SIDE		01
70	0503010849	3/8" X 1-1/2" BOLT		08
71	0521068794	BELT INTERNAL PROTECTION		01
72	0581015152	COVER PROTECTION		01
73	0503010240	BOLT		02
74	0503010179	LOCK WASHER 5/16 ZN 1K01528		02
75	0581017459	AXLE PROTECTION COVER		01
76	0531050102	CATALOGUE/MANUAL CANISTER ASSY	25	01
77	0591016145	PROTECTION BEARING COVER BACK		01
78	0503019416	RIVET SCREW THREAD INTERNAL		07
79	0503019729	THREAD SCREW INTERNAL		04
80	0503036144	MAXIMUM SPEED ADHESIVE LABEL		01



Item	Code	Description	See page	QT
01	0511063700	DAMPER FRAME CENTER	01	01
02	0511013808	BLANKET RUBBER	02	02
03	0501066514	STELL GUIDE CABLO	02	02
04	0501066515	STELL SUPPORT CABLO	02	02
05	0511017104	RIGHT COVER SIDE	01	01
06	0511017105	LEFT COVER SIDE	01	01
07	0511013806	FIXER CANVAS RIBBON	02	02
08	0511013793	FIXER SUPPORT CANVAS	04	04
09	0511013817	STELL CABLE	02	02
10	0511013810	REAR PROTECTION	01	01
11	0511013804	REAR RIBBON FIXER BLANKET	01	01
12	0531017784	RIGHT FRENCH HAND	01	01
13	0531017785	LEFT FRENCH HAND	01	01
14	0511013803	PIN	04	04
15	0503011202	BRACKET	04	04
16	0503010165	5/16" CABLO STEEL STAPLE	08	08
17	0501032349	PACKED PARTS	01	01
17A	0503010256	3/8" X 3/4" BOLT	04	04
17B	0503010237	3/8" X 1" BOLT	65	65
17C	0501010080	3/8" BOLT	02	02
17D	0503011102	BOLT 7/16 UNC X 1.1/4 C S G.5 ZN	04	04
17E	0503010834	1/2 X 1 BOLT	02	02
17F	0501010063	1/2" X 1-1/2" BOLT	02	02
17G	0511017302	FLAT WASHER 13,50 X 32,50 X 3,0 ZN	04	04
17H	0503010025	3/8 SPRING WASHER	71	71
17I	0503010180	7/16" SPRING WASHER	04	04
17J	0503010019	1/2" SPRING WASHER	04	04
17K	0503010026	3/8" NUT	71	71
17L	0503010244	7/16" NUT	04	04
17M	0503010060	1/2 UNC G.5 ZN HEX NUT	02	02
18	0501066442	RIGHT WING	01	01

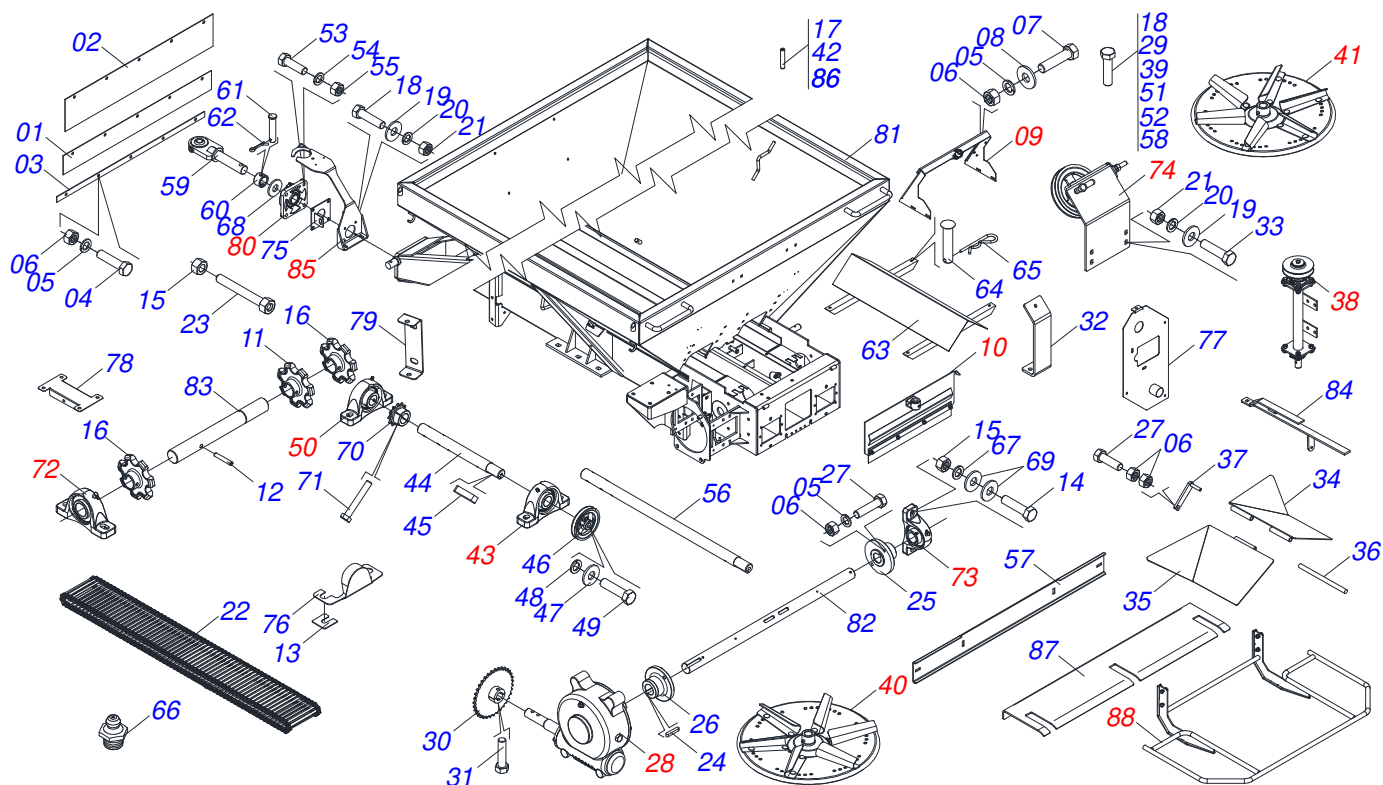


Item	Code	Description	See page	QT
19	0501066443	LEFT WING		01
20	0511013809	SUPPORT PROTECTION		02



Item	Code	Description	See page	QT
01	0521055688	BUCKET	29	01
02	0511041062	SUPPORT FIXATION	16	01
03	0503010899	5/8 UNC X 2.1/4 BOLT		06
04	0503010027	5/8 SPRING WASHER		06
05	0503010013	5/8 NUT		06
06	0503012941	C-148 BELT		01
07	0503010751	C3/8" X 1.1/4" HEX BOLT G.5		02
08	0503010025	3/8 SPRING WASHER		25
09	0503010026	3/8" NUT		22
10	0503010237	3/8" X 1" BOLT		11
11	0561014861	REGULATOR		01
12	0511013015	SLEEVE		01
13	0503010561	SPRING PIN		01
14	0503010257	1/8" X 1" COTTERPIN		01
15	0503030878	LEVER CRANK		01
16	0531014340	REAR PROTECTION		01
17	0501010984	10,50 X 27 X 3,00 FLAT WASHER		29
18	0503013003	50-1 CHAIN X 79 LINK + REDUCTION + MENDING		01
19	0503010256	3/8" X 3/4" BOLT		12
20	0511063408	REAR COVER PROTECTION		01
21	0501017574	0.3" X 2.7" AXLE		02
22	0503010140	1/8" X 3/4" COTTERPIN		02
23	0503010386	CABLE		01
24	0501048241	DRIVE SHAFT	21	01
25	0501048409	DRIVE SHAFT	22	01
26	0503011268	3/8" X 2-1/2" BOLT		02
27	0503010765	3/8" X 3" BOLT		01
28	0503030198	0.6" X 2.4" X 0.1" EXTENSION SPRING		01
29	0521055686	SEMI MOUNTED DRIVER	33	01
30	0503062157	DRAWBAR JACK	23	01
31	0521010549	COUPLING SHAFT		01

Item	Code	Description	See page	QT
32	0503030168	HITCH PIN CLIP		01
33	0503034578	ADHESIVE LABEL		02
34	0503031859	ADHESIVE LABEL DANGER		02
35	0503031428	READ MANUAL DECAL		01
36	0503031827	LUBRICATE AND RETIGHTEN DAILY DECAL		01
37	0503031087	ADHESIVE LABEL		01
38	0503031818	ADHESIVE LABEL		01
39	0503031809	ADHESIVE LABEL		01
40	0503032425	ADHESIVE LABEL ATTENTION		01
41	0503034003	SERIAL NUMBER TAG 61 X 118		01
42	0503032949	ADHESIVE LABEL		01
43	0503010001	3.2 X 5.5 RIVET		04
44	0501036432	CAT BAG / MANUAL		01
45	0503030751	REGULATOR PLATE		01
46	0503012209	RIVET POP		04
47	0521011107	CRANK BODY		01
48	0501068989	COUPLING SHAFT		01
49	0503031035	HITCH PIN CLIP		01
50	0501050829	CHAIN TENSIONER		01
51	0501012140	FLAT WASHER		12
52	0503013150	1300 X 3/8 CHAIN		01
53	0581011220	COUPLING SHAFT		01
54	0503010131	3/16" X 1-1/2" COTTERPIN		01
55	0581017494	TOP PROTECTION RECAMBIO		01
56	0581017447	FRONT PROTECTION		01
57	0503010849	3/8" X 1-1/2" BOLT		02
58	0581017488	LOWER PROTECTION BOARD CARDAN		01
59	0581017446	CHAIN CAP		01
60	0581017496	PRISONER 3/8 UNC X 5/16 UNC X 175		03
61	0503010386	CABLE		03
62	0581017453	FLANGE PROTECTION COVER		01
63	0581017460	FRONT COVER		01
64	0581017469	PROTECTION SIDE		01
65	0503010849	3/8" X 1-1/2" BOLT		04
66	0503010240	BOLT		02
67	0503010179	LOCK WASHER 5/16 ZN 1K01528		02
68	0531014343	RH FLIP		04
69	0531014344	LH FLIP		04
70	0503060100	INSTRUCTIONS MANUAL CANISTER		01
71	0503010267	NYLON CLAMP		01
72	0503010363	BOLT 5/16 UNC X 1 C S G.2 ZN		01
73	0503010179	LOCK WASHER 5/16 ZN 1K01528		01
74	0503010337	5/16" NUT		01
75	0503034579	ADHESIVE LABEL		02
76	0581015152	COVER PROTECTION		01
77	0581017450	BELT SIDE PROTECTOR		01
78	0521068792	COVER PROTECTION		01
79	0521068802	PROTECTION TOGETHER CARDAN		01
80	0521068801	SUPPORT BELT PROTECTION		01
81	0521068818	BEARING PROTECTION		01
82	0521068797	TRANSMISSION AXLE PROTECTION		01
83	0521068794	BELT INTERNAL PROTECTION		01
84	0503035156	LABEL ADHESIVE		01
85	0503031427	ADHESIVE LABEL		01
86	0503036144	MAXIMUM SPEED ADHESIVE LABEL		01



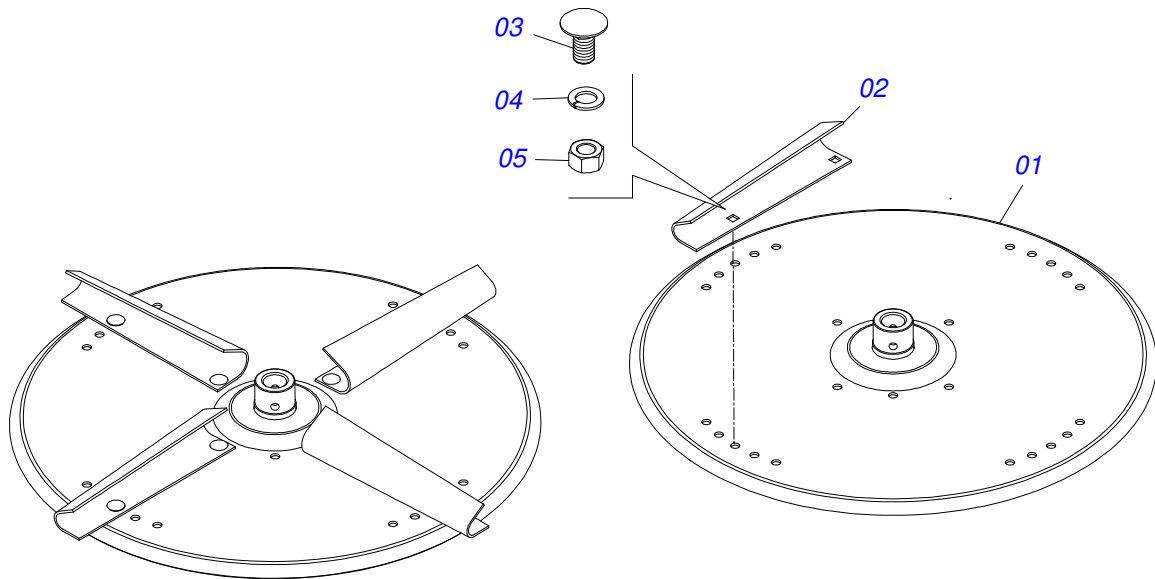
Item	Code	Description	See page	QT
01	0531014336	31.4"X3.1"X 0.1" PROTECTION SMALLER		01
02	0531014337	PROTECTION LARGER		02
03	0531014331	SLUICE VALVE FIXER COVER		01
04	0503010237	3/8" X 1" BOLT		13
05	0503011443	3/8" SPRING WASHER		22
06	0503010026	3/8" NUT		24
07	0503010751	C3/8" X 1.1/4" HEX BOLT G.5		04
08	0501010984	10,50 X 27 X 3,00 FLAT WASHER		10
09	0511059105	SLUICE VALVE SUPPORT	18	01
10	0511059108	SLUICE VALVE COVER ASSY	20	01
11	0502040728	7Z GEAR		03
12	0503010361	SPRING PIN		03
13	0501010794	HIDR CHOCK REGULATOR		04
14	0503010233	5/8" X 2-1/2" BOLT		04
15	0503010013	5/8 NUT		08
16	0502040728	7Z GEAR		03
17	0503010361	SPRING PIN		03
18	0503010740	BOLT 1/2 UNC X 2 CS G.5 ZN		10
19	0511017302	FLAT WASHER 13,50 X 32,50 X 3,0 ZN		20
20	0503011440	SPRING WASHER		26
21	0503010060	1/2 UNC G.5 ZN HEX NUT		26
22	0511063813	DRIVE THE TRANSPORT TALISCA		01
23	0501067853	ROD STABILIZER		02
24	0501010540	KEYWAY SQUARE		02
25	0511016540	MAT COUPLING FLANGE		01
26	0511016541	REDUCTION COUPLING FLANGE		01
27	0503010849	3/8" X 1-1/2" BOLT		03
28	0501047985	REDUCER	4	01
29	0503011167	M16 X 2 X 30 BOLT		04
30	0501069020	35Z GEAR		02
31	0503011268	3/8" X 2-1/2" BOLT		03



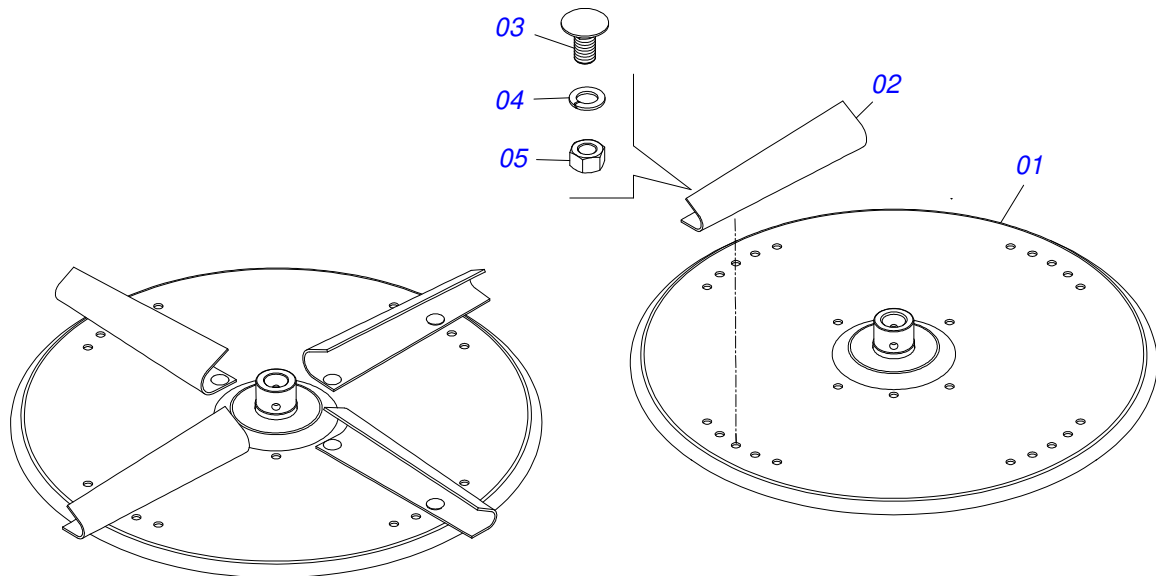
BUCKET

0521055688

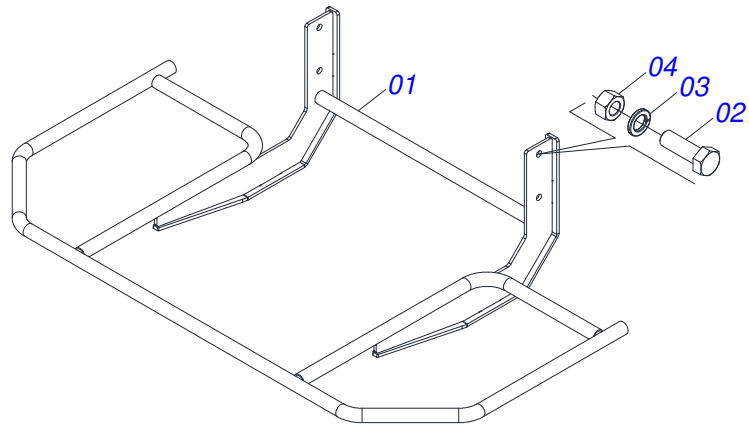
Item	Code	Description	See page	QT
32	0511063668	REAR FIXER COVER		01
33	0503010238	BOLT 1/2 UNC X 1.3/4 CS G.2 ZN		04
34	0511063659	RIGHT FLOW DIVIDING		01
35	0511063660	LEFT FLOW DIVIDING		01
36	0531015309	TENSIONER OPEN		01
37	0501067368	DIVISOR REGULATOR OPEN		02
38	0501054013	RIGHT BEARRING SUPPORT DISC	7	02
39	0503010920	1/2 UNC X 1.1/2 C S G.5 ZN BOLT		08
40	0501058675	DISTRIBUTOR LEFT DISC ASSY	30	01
41	0501058677	DISTRIBUTOR RIGHT DISC ASSY	31	01
42	0503010361	SPRING PIN		02
43	0511041213	AGRICULTURAL BEARING	11	02
44	0531014330	DRIVE AXLE		01
45	0501010536	KEYWAY SQUARE		01
46	0502011361	REEL 1C 5.5" X 1.1" PULLEY		01
47	0511014052	FLAT WASHER		01
48	0503011446	SPRING WASHER		01
49	0503010355	7/16" X 1" BOLT		01
50	0511041213	AGRICULTURAL BEARING	11	01
51	0503010920	1/2 UNC X 1.1/2 C S G.5 ZN BOLT		02
52	0503011082	C1/2" X 1.3/4" SCREW		02
53	0503011135	BOLT		04
54	0503011446	SPRING WASHER		04
55	0503010244	7/16" NUT		04
56	0521012443	TRANSMISSION AXLE		01
57	0531014338	BAMPER		01
58	0503010920	1/2 UNC X 1.1/2 C S G.5 ZN BOLT		02
59	0521068793	TRACTOR TRACTOR		01
60	0521010681	BUSHING COUPLING BODY		01
61	0521010639	COUPLING SHAFT		01
62	0503010571	1/4" X 1.1/2 COTTERPIN		01
63	0511063841	LARGER DEFLECTOR		01
64	0521017623	0.5" X 1.5" COUPLING SHAFT		04
65	0503030168	HITCH PIN CLIP		04
66	0503011098	1/4" GREASE FITTING		04
67	0503011445	SPRING WASHER		02
68	0501015875	FLAT WASHER		01
69	0501012140	FLAT WASHER		08
70	0501069017	12Z GEAR		01
71	0503011267	5/8 UNC X 1.1/2 C S G.5 ZN BOLT		02
72	0501044308	AGRICULTURAL BEARING ASSY		02
73	0501044308	AGRICULTURAL BEARING ASSY		02
74	0501053868	BELT TENSIONER ASSY	6	01
75	0521068825	SUPPORT AXLE PROTECTION		01
76	0521068822	BEARING PROTECTION		03
77	0521068791	TRANSMISSION PROTECTION COVER		01
78	0521068109	FIXER PROTECTION COVER		01
79	0521068824	PROTECTION SUPPORT BEARING		01
80	0501044306	BATH BEARING	13	01
81	0511063842	BUCKET		01
82	0531014346	MOTOR SHAFT		01
83	0531014345	DRIVEN AXLE		01
84	0531061725	REAR DEFLECTOR SUPPORT		01
85	0521053161	CARDAN SUPPORT WITHOUT SPRING	12	01
86	0503010756	0.2" X 2.4" SPRING PIN		06
87	0531014324	TOOTH COVER		01
88	0531050244	PROTECTOR DISC	32	01



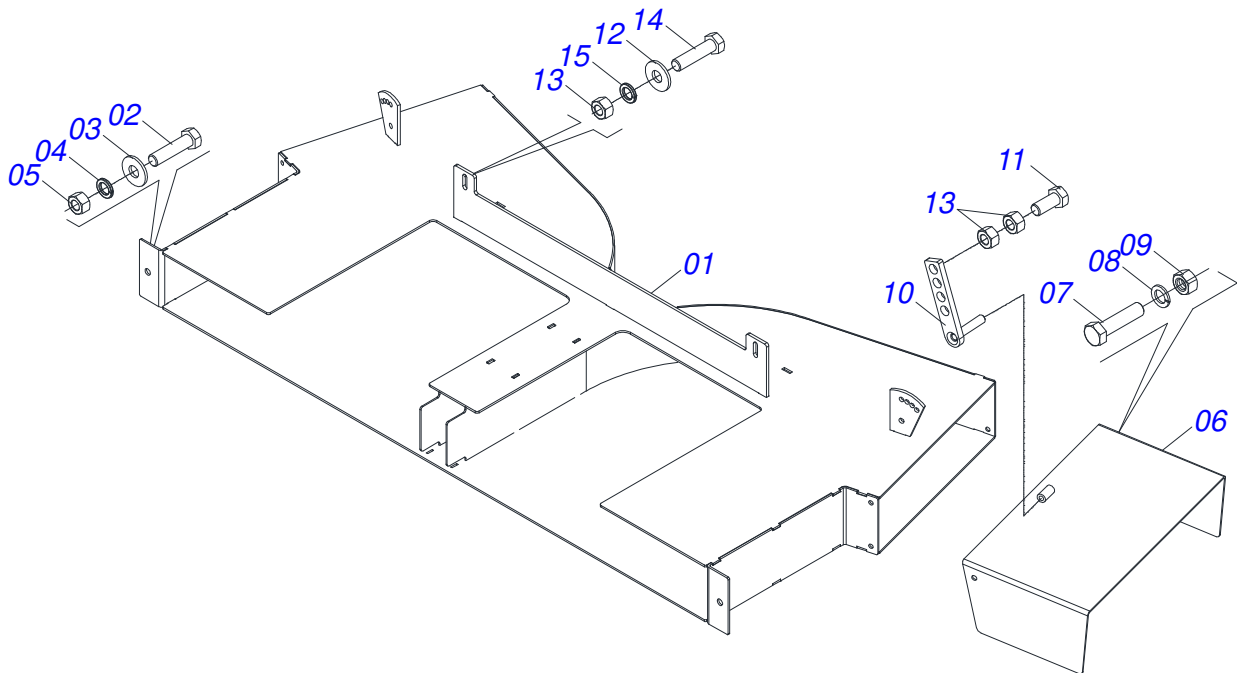
Item	Code	Description	See page	QT
01	0511063411	DISTRIBUTOR DISC		01
02	0531014344	LH FLIP		04
03	0503013029	3/8" X 3/4" BOLT		08
04	0503011443	3/8" SPRING WASHER		08
05	0503010026	3/8" NUT		08



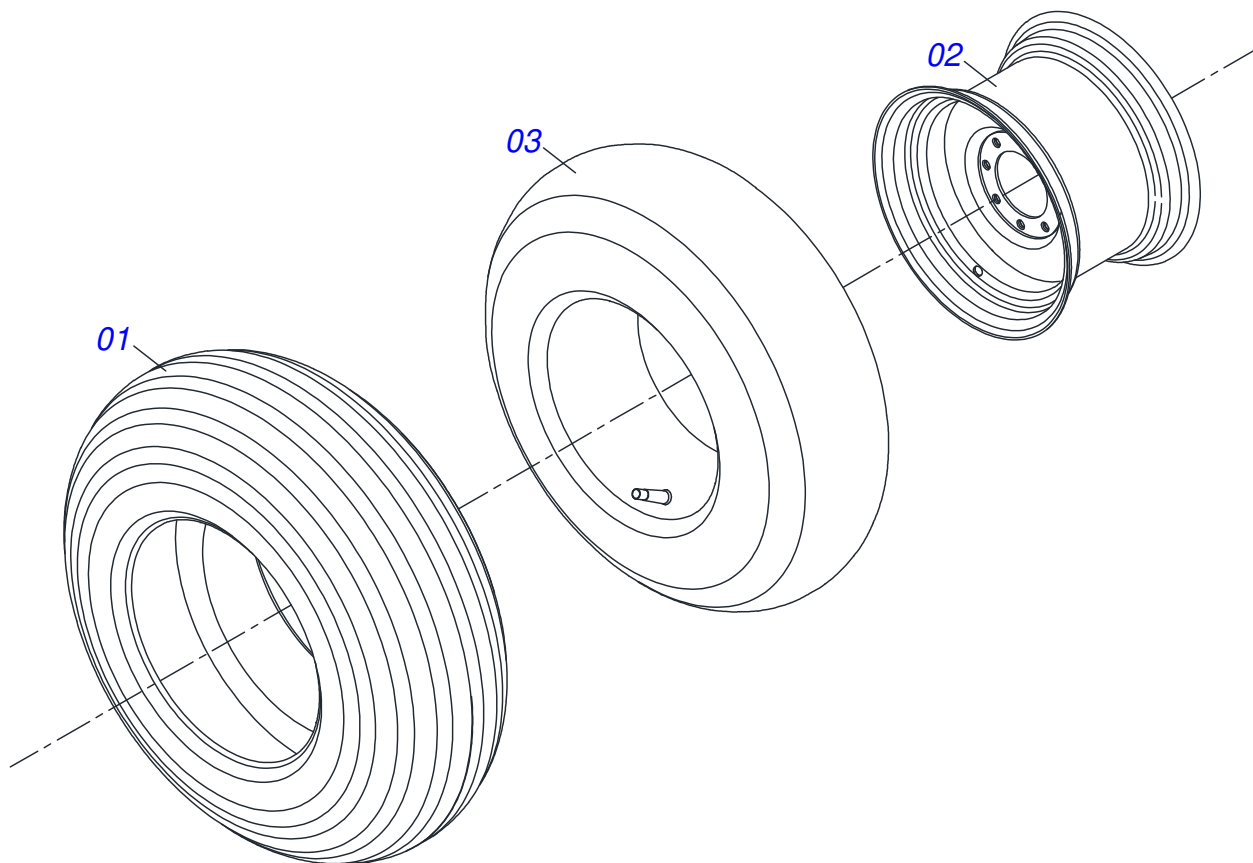
Item	Code	Description	See page	QT
01	0511063411	DISTRIBUTOR DISC		01
02	0531014343	RH FLIP		04
03	0503013029	3/8" X 3/4" BOLT		08
04	0503011443	3/8" SPRING WASHER		08
05	0503010026	3/8" NUT		08



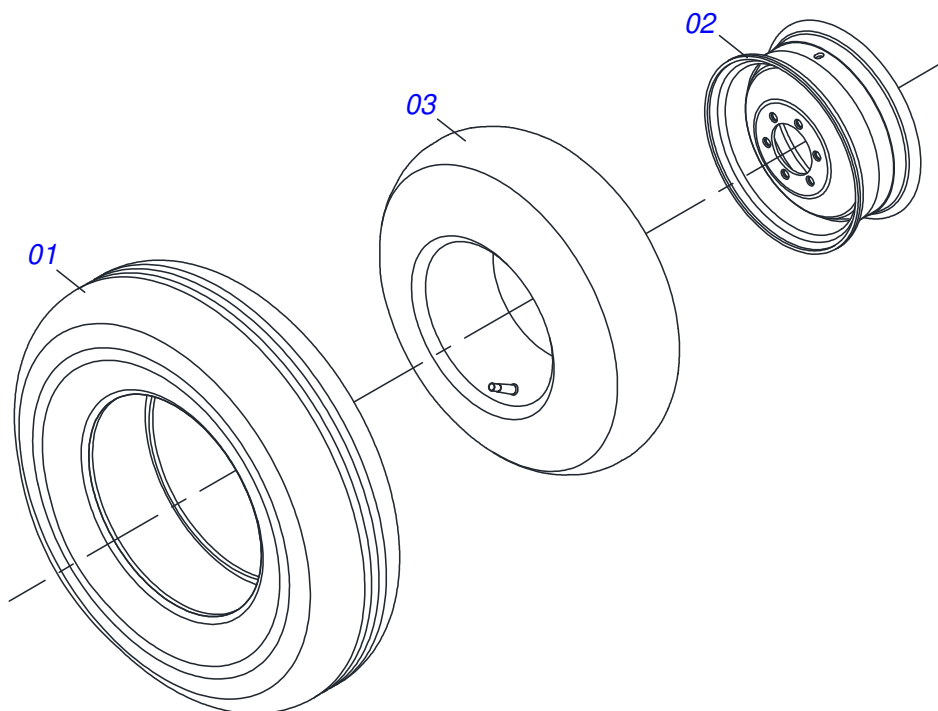
Item	Code	Description	See page	QT
01	0531061810	DISC PROTECTION		01
02	0503010920	1/2 UNC X 1.1/2 C S G.5 ZN BOLT		04
03	0503011440	SPRING WASHER		04
04	0503010060	1/2 UNC G.5 ZN HEX NUT		04



Item	Code	Description	See page	QT
01	0511064253	CONTROLLER	01	01
02	0503010395	1/2" X 1-1/4" BOLT	02	02
03	0511017302	FLAT WASHER 13,50 X 32,50 X 3,0 ZN	02	02
04	0503010019	1/2" SPRING WASHER	02	02
05	0503010060	1/2 UNC G.5 ZN HEX NUT	02	02
06	0511064254	CONTROLLER SPOUT	02	02
07	0503010240	BOLT	04	04
08	0503010179	LOCK WASHER 5/16 ZN 1K01528	04	04
09	0503010337	5/16" NUT	04	04
10	0501067368	DIVISOR REGULATOR OPEN	02	02
11	0503010751	C3/8" X 1.1/4" HEX BOLT G.5	02	02
12	0501010984	10,50 X 27 X 3,00 FLAT WASHER	02	02
13	0503010026	3/8" NUT	06	06
14	0503010849	3/8" X 1-1/2" BOLT	02	02
15	0503010025	3/8 SPRING WASHER	02	02



Item	Code	Description	See page	QT
01	0503010858	CANVAS TIRE		01
02	0503011468	WEEL		01
03	0503010860	AIR CHAMBER 11L 15		01



Item	Code	Description	See page	QT
01	0503010120	CANVAS TIRE		01
02	0521062708	WHEEL 5,50 X 16 X 118 X 6F 16,50 X 152,40		01
03	0503010033	7.50 X 16 INNER TIRE		01



ANNOTATION

A series of horizontal lines for writing, starting below the title and ending above the footer.





MARCHESAN

Technical Publications | Elaboration and Revision

LORENA ROCHA ALVES

www.marchesan.com.br

