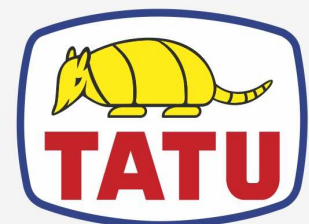


CHASER BIN

DCA 7500 DC WITH HYDRAULIC DRIVE

Code: 0501093171
Series: S-0114
Revision: 01
Date Revision: FEVEREIRO/2023

PARTS CATALOGUE



MARCHESAN



PRODUCTS

Code	Description
0109090219	DCA DC 7500 S/OPCIONAIS C/ACIONAM HIDR S-0114

ATTENTION: IMPORTANT

Marchesan S.A. reserves the right to improve and/or modify the technical features of its products, without obligation to do the same with those products already sold and without prior knowledge of the dealer or the customer. The photos are only illustrative.

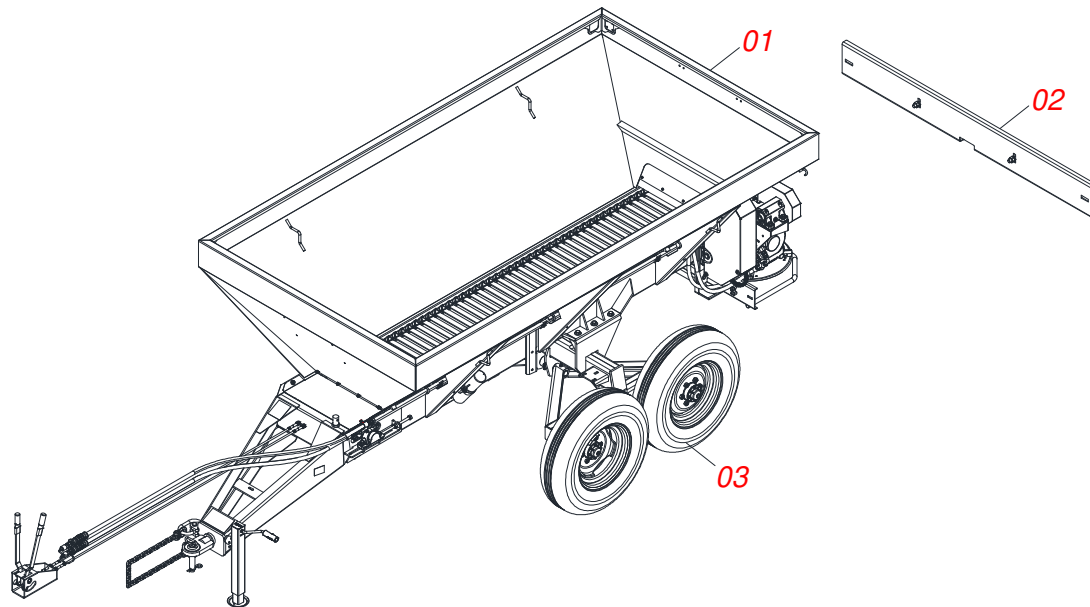


MARCHESAN

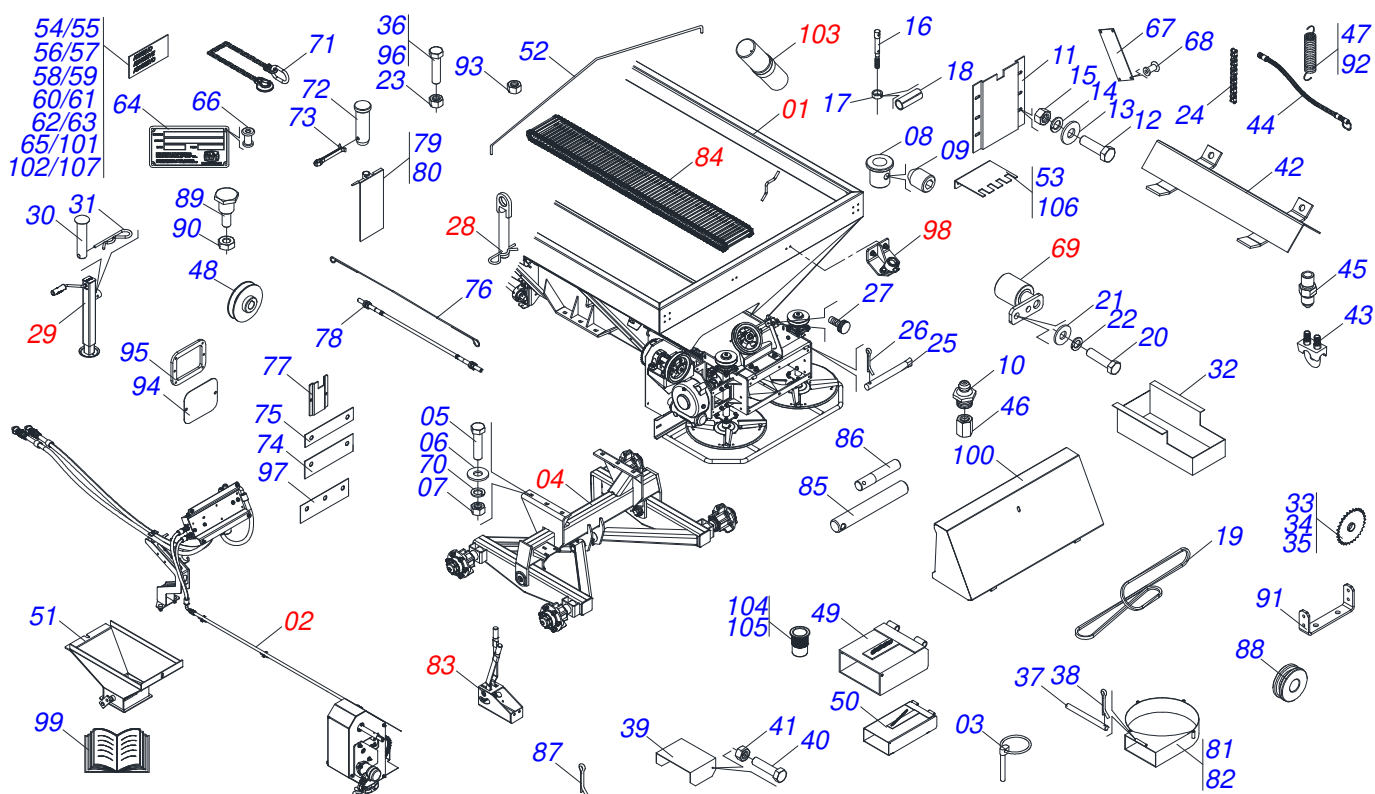
INDEX

0909096100	ASSY FRAME	1
0521047391	ASSY FRAME WITH HYDRAULIC DRIVE	2
0521051086	BUCKET	3
0501047985	REDUCER	4
0501051774	38Z CROWN	5
0511041213	AGRICULTURAL BEARING	6
0501046802	BELT TENSIONER ASSY	7
0501044308	AGRICULTURAL BEARING ASSY	8
0501053159	DISTRIBUTOR RIGHT DISC ASSY	9
0501053160	DISTRIBUTOR LEFT DISC ASSY	10
0501056183	RIGHT BEARING SUPPORT DISC	11
0501056184	LEFT BEARING SUPPORT DISC	12
0501053163	MAT VALVE RIGHT ASSY	13
0501053164	MAT VALVE LEFT ASSY	14
0521058126	HYDRAULIC DRIVE ASSY	15
0511053588	MOTOR HYDRAULIC OMP 80 WITH NIPPLE 7/8 NIPPE 7/8	16
0501053834	MALE QUICK COUPLER	17
0521058094	SUPPORT HOSE	18
0521058119	SIMPLE HYDRAULIC ACTUATION HOSE SET	19
0521057951	SUPPORT SIMPLE HYDRAULIC DRIVE	20
0521057953	BLOCK HYDAC	21
0521057952	FILTER PRES PARKER HDA FP20 10FV 06B LV6	22
0521057599	FILTER PRESS PARKER HDA FP20 10FV 06B LV6 WITH NIPPLE	23
0521058096	COUPLING ASSEMBLY	24
0521058097	REEL	25
0521056365	P15,88 18Z GEAR SHAFT 25.40 KEYWAY 1/4 FULL	26
0521046046	FIXING STAND ASSY	27
0501051142	CARRYING WHEEL HUB	28
0501047881	AXIS JOINT ASSY	29
0503062157	DRAWBAR JACK	30
0501053157	LEVER BOX CABLE STEEL	31
0511048567	STAINLESS STEEL TRANSPORT	32
0521053728	FIXER BEARING	33
0511059094	SHAFT BEARING THREADED	34
0531050027	BAMPER	35
0503060181	WHEEL AND TIRE	36

ASSY FRAME



Item	Code	Description	See page	QT
01	0521047391	ASSY FRAME WITH HYDRAULIC DRIVE	2	01
02	0531050027	BAMPER	35	01
03	0503060181	WHEEL AND TIRE	36	04



Item	Code	Description	See page	QT
001	0521051086	BUCKET	3	01
002	0521058126	HYDRAULIC DRIVE ASSY	15	01
003	0503030085	LOCK PIN		12
004	0521046046	FIXING STAND ASSY	27	01
005	0503010899	5/8 UNC X 2.1/4" BOLT		06
006	0503010027	5/8 SPRING WASHER		06
007	0503010013	5/8 NUT		06
008	0541016204	ADJUSTMENT NUT DCA-DC		02
009	0503011148	3/8" X 1/2" BOLT		02
010	0503010002	1800 GREASE FITTING		08
011	0531017187	SLUICE VALVE GUIDE		02
012	0503011953	5/16" X 1" BOLT		22
013	0501010694	FLAT WASHER		22
014	0503010179	LOCK WASHER 5/16 ZN 1K01528		22
015	0503010337	5/16" NUT		22
016	0511066489	REGULATOR SPINDLE		02
017	0511013015	SLEEVE		02
018	0503010561	SPRING PIN		02
019	0503010154	C-128 BELT		01
020	0503010237	3/8" X 1" BOLT		12
021	0501010984	10,50 X 27 X 3,00 FLAT WASHER		23
022	0503010025	3/8 SPRING WASHER		24
023	0503010026	3/8" NUT		20
024	0503013002	50-1 CHAIN X 81 LINK + MENDING + REDUCTION		01
025	0501017574	0.3" X 2.7" AXLE		02
026	0503010140	1/8" X 3/4" COTTERPIN		02
027	0503010386	CABLE		01
028	0501047881	AXIS JOINT ASSY	29	01
029	0503062157	DRAWBAR JACK	30	01
030	0521010549	COUPLING SHAFT		01
031	0503030168	HITCH PIN CLIP		01



DCA 7500 DC WITH HYDRAULIC DRIVE
ASSY FRAME WITH HYDRAULIC DRIVE

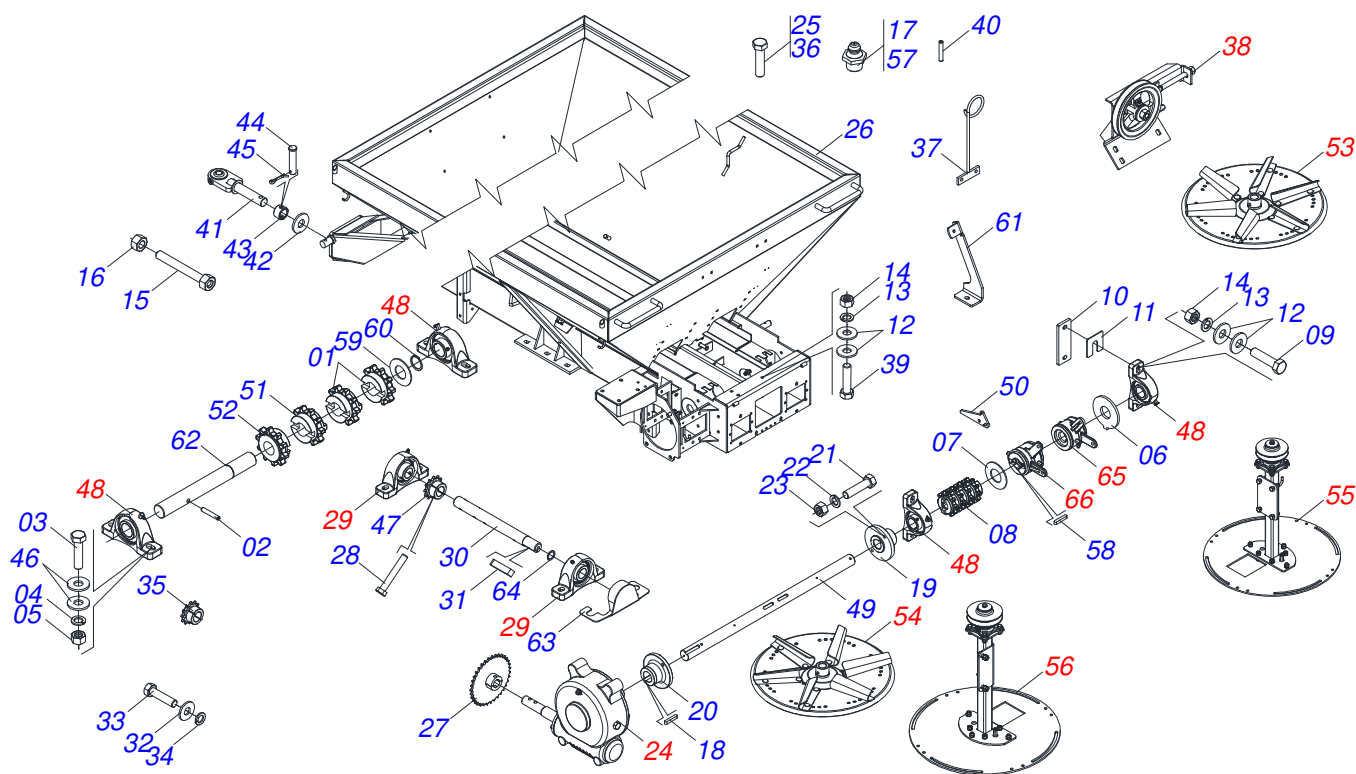
Item	Code	Description	See page	QT
032	0511062421	COLLECCION BOX		01
033	0511062448	26Z P0.6" GEAR		02
034	0501069020	35Z GEAR		02
035	0511062449	40Z P0.7" GEAR		01
036	0503010751	C3/8" X 1.1/4" HEX BOLT G.5		04
037	0531010081	0.6" X 10.8" AXLE		02
038	0503010257	1/8" X 1" COTTERPIN		04
039	0541016214	BODY ADJUSTMENT HEIGHT		02
040	0503013813	1/4" UNC X 7/8" BOLT		04
041	0503010144	1/4" NUT		08
042	0511066488	DEFLECTOR		06
043	0503010431	1/8" CABLO STEEL STAPLE		08
044	0501081198	1/4 X 390 HOSE		04
045	0503012776	1/8" NF NIPPLE		04
046	0531013919	GREASE FITTING FIXER		04
047	0503030198	0.6" X 2.4" X 0.1" EXTENSION SPRING		02
048	0502011953	3.7 X 1.1 REEL		01
049	0511066448	BICA DRIVERS		02
050	0511067201	BICA LONG DRIVERS		02
051	0511066615	DIRECT SOCKET		02
052	0541017506	SUPPORT CANVAS ARCH		04
053	0541016210	LH TOOTH COVER		01
054	0503060818	ASSY STICKER		01
055	0503031652	ADHESIVE LABEL		01
056	0503031688	ADHESIVE LABEL		01
057	0503031818	ADHESIVE LABEL		01
058	0503031859	ADHESIVE LABEL DANGER		02
059	0503031827	LUBRICATE AND RETIGHTEN DAILY DECAL		01
060	0503031428	READ MANUAL DECAL		01
061	0503031087	ADHESIVE LABEL		01
062	0503031809	ADHESIVE LABEL		01
063	0503032425	ADHESIVE LABEL ATTENTION		01
064	0503034003	SERIAL NUMBER TAG 61 X 118		01
065	0503032949	ADHESIVE LABEL		01
066	0503010001	3.2 X 5.5 RIVET		04
067	0503030751	REGULATOR PLATE		01
068	0503012209	RIVET POP		04
069	0501050829	CHAIN TENSIONER		01
070	0501012140	FLAT WASHER		12
071	0503013150	1300 X 3/8 CHAIN		01
072	0581011220	COUPLING SHAFT		01
073	0503010131	3/16" X 1-1/2" COTTERPIN		01
074	0531010059	7.1" X 3.3" X 0.1" PROTECTION		02
075	0531010273	RUBBER SUPPORT FIXER COVER		02
076	0531010467	1/8" X 255" STEEL CABLE		02
077	0531017384	RATCHET PROTECTION		01
078	0503012779	STEEL CONDUCTOR CABLO 1/8"		02
079	0511066458	LH SLUICE VALVE COVER		01
080	0511066457	RH SLUICE VALVE COVER		01
081	0511066450	LEFT CONTROLLER		01
082	0511066449	RIGHT CONTROLLER		01
083	0501053157	LEVER BOX CABLE STEEL	31	01
084	0511048567	STAINLESS STEEL TRANSPORT	32	02
085	0581016925	PRISONER		02
086	0581018030	DISASSEMBRE AXLE		02
087	0503010140	1/8" X 3/4" COTTERPIN		02
088	0581018034	REEL		02
089	0581018035	AXLE PULLEY		02
090	0503013814	1/4" NC LOCKNUT		02



**DCA 7500 DC WITH HYDRAULIC DRIVE
ASSY FRAME WITH HYDRAULIC DRIVE**

Item	Code	Description	See page	QT
091	0581018047	STRETCHER SPINDLE FIXER		01
092	0503030093	TRACTION SPRING		02
093	0503010060	1/2 UNC G.5 ZN HEX NUT		04
094	0581018031	REAR PROTECTION		02
095	0581018033	REAR PROTECTION FIXER SUPPORT		02
096	0503010256	3/8" X 3/4" BOLT		06
097	0503034731	SCRAPER		02
098	0521053728	FIXER BEARING	33	02
099	0511033360	BAG WITH CATALOG		01
100	0501069840	REAR COVER PROTECTION		01
101	0503034648	ADHESIVE LABEL		01
102	0503031427	ADHESIVE LABEL		01
103	0531050025	ASSY MANUAL DOOR		01
104	0503019416	RIVET SCREW THREAD INTERNAL		02
105	0503019413	THREAD SCREW INTERNAL		04
106	0541016209	RH TOOTH COVER		01
107	0503036144	MAXIMUM SPEED ADHESIVE LABEL		01

BUCKET

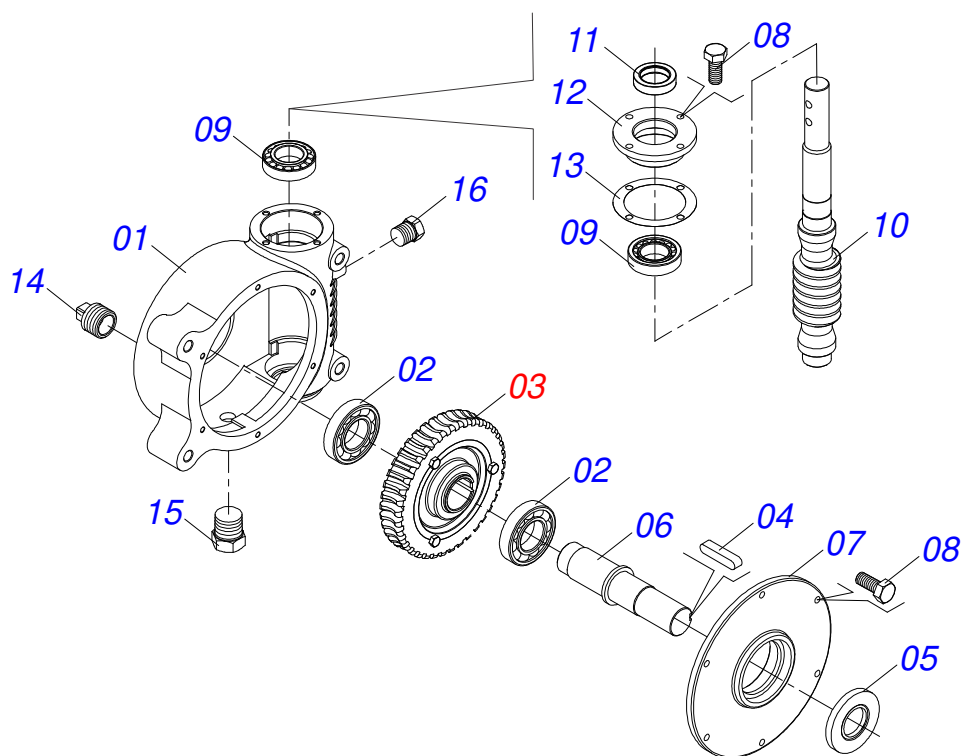


Item	Code	Description	See page	QT
01	0502011959	10Z P 1.50" GEAR		04
02	0503010361	SPRING PIN		04
03	0503010899	5/8 UNC X 2.1/4 BOLT		04
04	0503011445	SPRING WASHER		08
05	0503010013	5/8 NUT		04
06	0541018271	FLANGE AXLE TRANSMISSION		02
07	0501019734	FLAT WASHER		04
08	0501110334	GEAR 10Z ASSY		02
09	0503010740	BOLT 1/2 UNC X 2 CS G.5 ZN		08
10	0541016213	BEARING CHUCK REAR SIDE		02
11	0501010794	HIDR CHOCK REGULATOR		04
12	0511017302	FLAT WASHER 13,50 X 32,50 X 3,0 ZN		11
13	0503011440	SPRING WASHER		19
14	0503010060	1/2 UNC G.5 ZN HEX NUT		19
15	0501067853	ROD STABILIZER		04
16	0503010013	5/8 NUT		04
17	0503010002	1800 GREASE FITTING		01
18	0501010540	KEYWAY SQUARE		02
19	0511016540	MAT COUPLING FLANGE		01
20	0511016541	REDUCTION COUPLING FLANGE		01
21	0503010849	3/8" X 1-1/2" BOLT		02
22	0503011443	3/8" SPRING WASHER		02
23	0503010026	3/8" NUT		08
24	0501047985	REDUCER	4	01
25	0503011167	M16 X 2 X 30 BOLT		04
26	0511066487	BUCKET		01
27	0511062450	47Z P0.6" GEAR		01
28	0503011268	3/8" X 2-1/2" BOLT		02
29	0511041213	AGRICULTURAL BEARING	6	02
30	0521011063	TRANSMISSION AXLE		01
31	0501010536	KEYWAY SQUARE		01

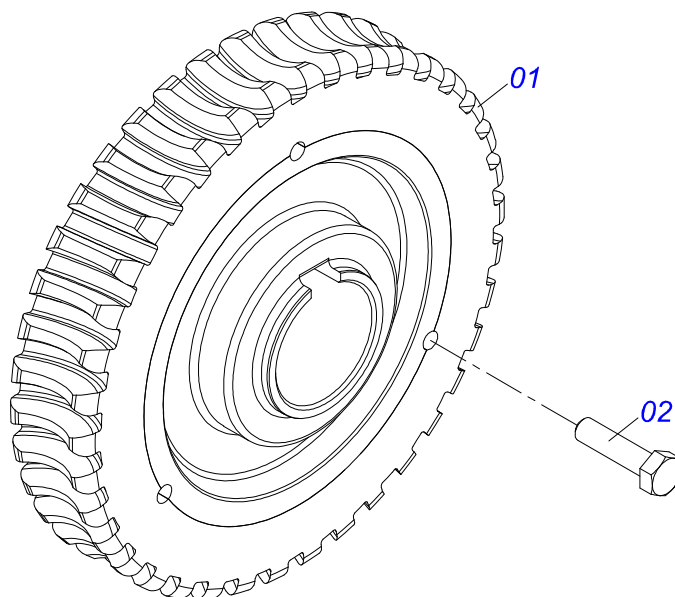
**BUCKET**

0521051086

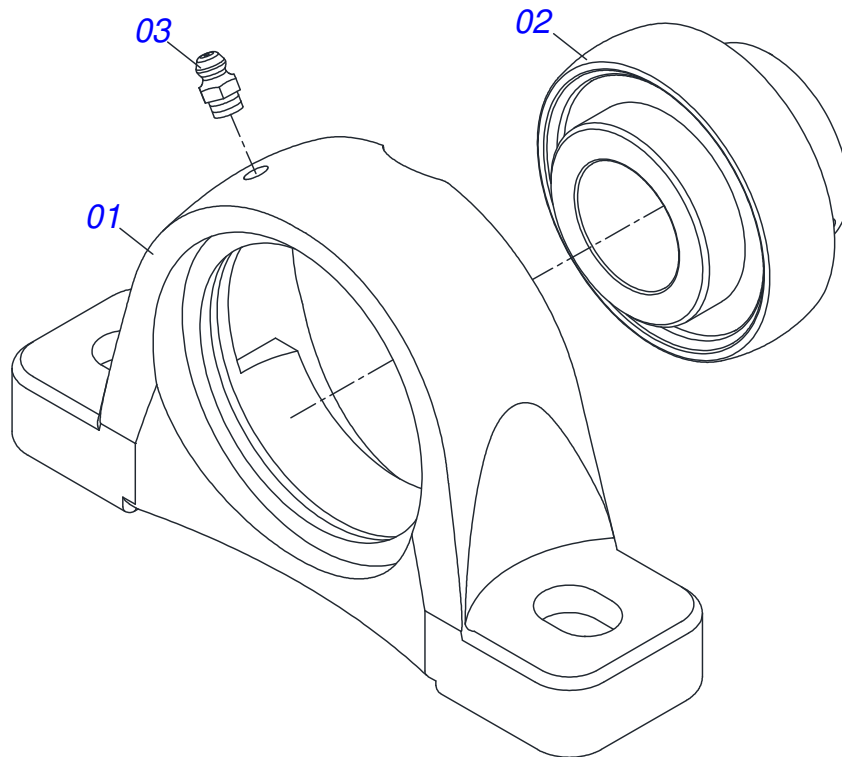
Item	Code	Description	See page	QT
32	0511014052	FLAT WASHER		01
33	0503010355	7/16" X 1" BOLT		01
34	0503011446	SPRING WASHER		01
35	0511062447	17Z P0.6" GEAR		01
36	0503011268	3/8" X 2-1/2" BOLT		01
37	0511062420	STEEL SUPPORT CABLE		01
38	0501046802	BELT TENSIONER ASSY	7	01
39	0503010920	1/2 UNC X 1.1/2 C S G.5 ZN BOLT		11
40	0503010361	SPRING PIN		02
41	0521068793	TRACTOR TRACTOR		01
42	0501015875	FLAT WASHER		01
43	0521010681	BUSHING COUPLING BODY		01
44	0521010639	COUPLING SHAFT		01
45	0503010571	1/4" X 1.1/2 COTTERPIN		01
46	0501012140	FLAT WASHER		08
47	0501069017	12Z GEAR		01
48	0501044308	AGRICULTURAL BEARING ASSY	8	04
49	0531010168	MOTOR SHAFT		01
50	0541016212	HITCH STEEL CABLE		02
51	0502012327	10Z GEAR		02
52	0502012340	10Z GEAR		02
53	0501053159	DISTRIBUTOR RIGHT DISC ASSY	9	01
54	0501053160	DISTRIBUTOR LEFT DISC ASSY	10	01
55	0501056183	RIGHT BEARING SUPPORT DISC	11	01
56	0501056184	LEFT BEARING SUPPORT DISC	12	01
57	0503012102	CREASE FITTING		01
58	0501010536	KEYWAY SQUARE		02
59	0531010253	FLAT WASHER		02
60	0503010391	501038 CLAMPING RING (FOR AXLE)		02
61	0511060909	PROTECTION REAR SUPPORT FIXER		01
62	0541016205	DCA-DC AXLE		02
63	0521068822	BEARING PROTECTION		03
64	0511016579	WASHER		01
65	0501053163	MAT VALVE RIGHT ASSY	13	01
66	0501053164	MAT VALVE LEFT ASSY	14	01



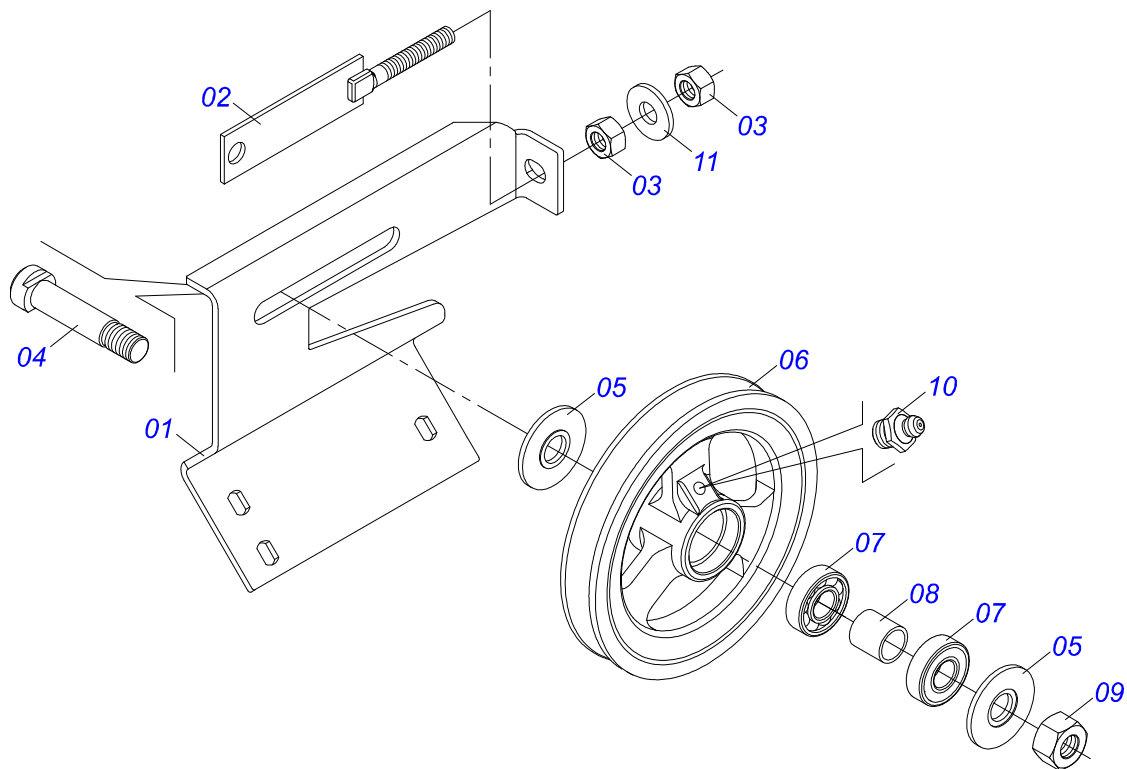
Item	Code	Description	See page	QT
01	0502011456	REDUCTION BOX		01
02	0503011095	6208 BALL BEARING		02
03	0501051774	38Z CROWN	5	01
04	0503011304	1/2" X 2.4" KEYWAY SQUARE		01
05	0503010818	02675-BRG SEAL		01
06	0521010996	AXLE		01
07	0502020556	LARGER COVER		01
08	0503010240	BOLT		10
09	0503010016	BEARING LM		02
10	0521010997	SCREW THEAD		01
11	0503011171	00912-BRG SEAL		01
12	0502011457	SMALLER COVER		01
13	0503030981	102 X 75,5 X 0,10 JOINT		01
14	0521011023	PLUG		01
15	0513010009	LEVEL DISPLAY		01
16	0503010856	OIL PLUG		01



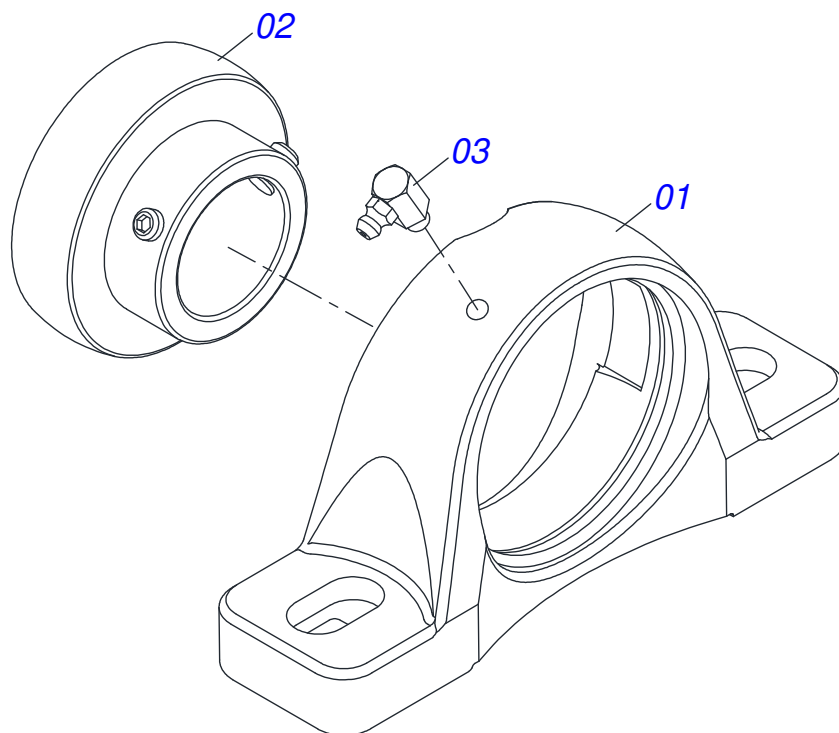
Item	Code	Description	See page	QT
01	0501110280	38Z CONICAL		01
02	0503010365	BOLT 5/16 UNC X 1.1/4 C S G.5 ZN		03



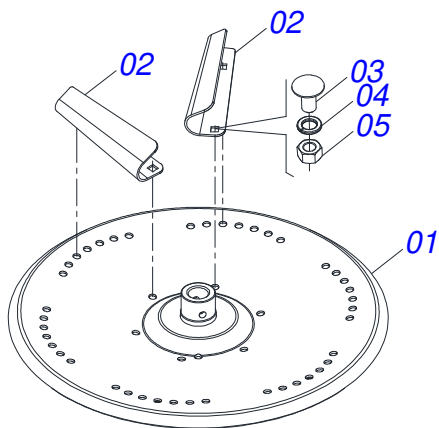
Item	Code	Description	See page	QT
01	0502011954	AGRICULTURAL HOUSING BEARING		01
02	0503011884	BALL BEARING		01
03	0503010691	1/4" GREASE FITTING		01



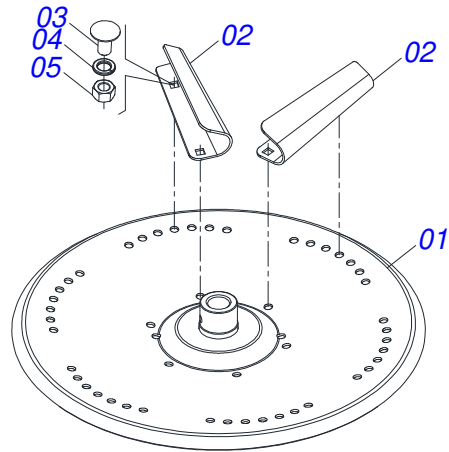
Item	Code	Description	See page	QT
01	0501066100	SUPPORT		01
02	0501065968	1C X 8.3 PULLEY TENSIONER		01
03	0503010013	5/8 NUT		02
04	0511012362	TIGHTENER AXLE PULLEY		01
05	0501019288	WASHER SPACER		02
06	0502011366	REEL 1C 8.3" X 1.6" PULLEY		01
07	0503010690	6204 BALL BEARING		02
08	0521010497	0.8" X 1.1" X 1.1" SPACER		01
09	0503010014	3/4" HEX NUT		01
10	0503010002	1800 GREASE FITTING		01
11	0501012140	FLAT WASHER		01



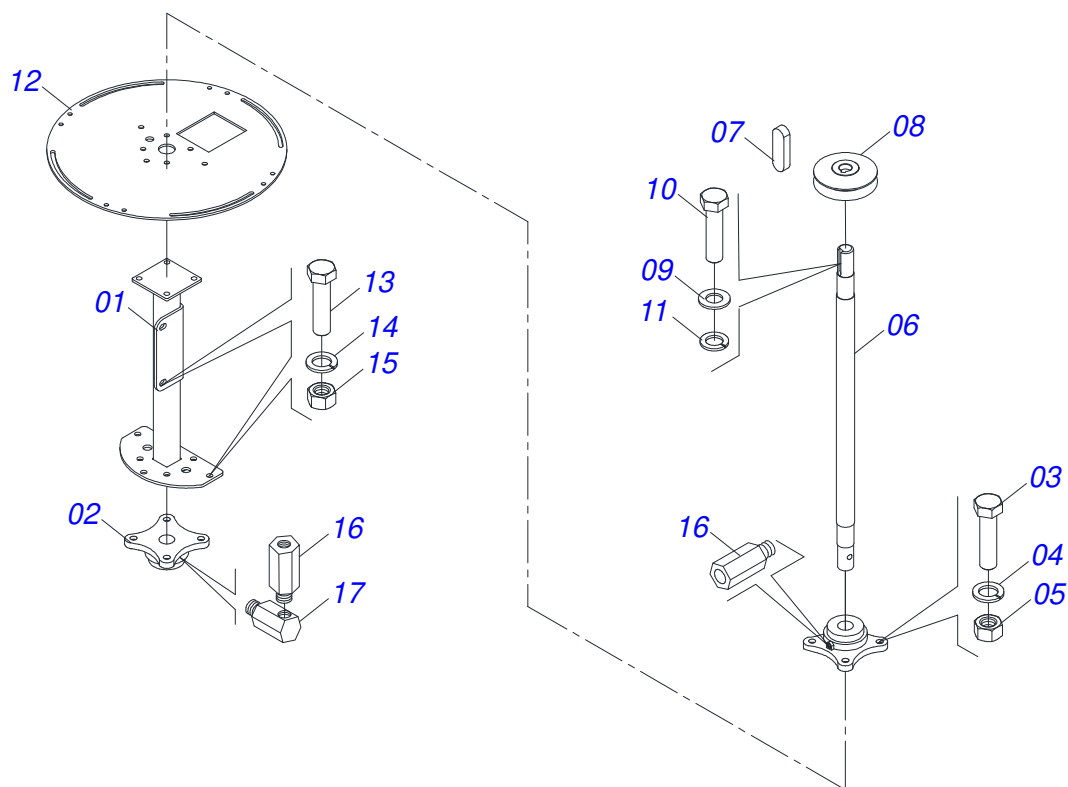
Item	Code	Description	See page	QT
01	0502011050	AGRICULTURAL HOUSING BEARING		01
02	0503011163	1108/UCR BEARING ASSY		01
03	0503010004	1890 GREASE FITTING		01



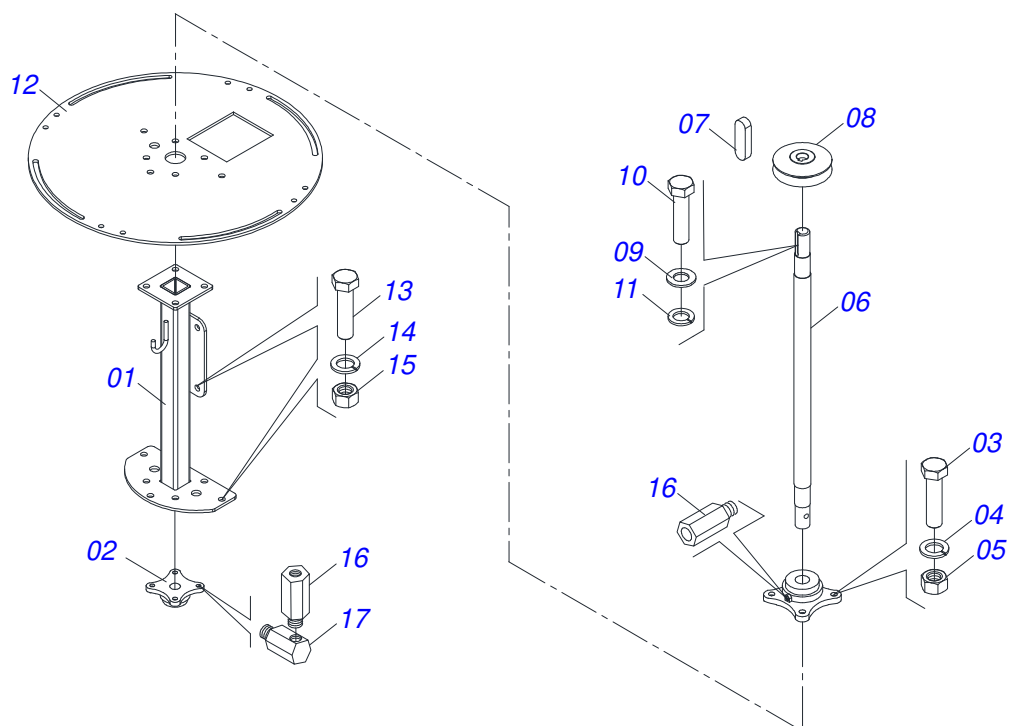
Item	Code	Description	See page	QT
01	0511062433	DISTRIBUTOR DISC		01
02	0521018637	LEFT FLIP		06
03	0503013029	3/8" X 3/4" BOLT		12
04	0503011443	3/8" SPRING WASHER		12
05	0503010026	3/8" NUT		12



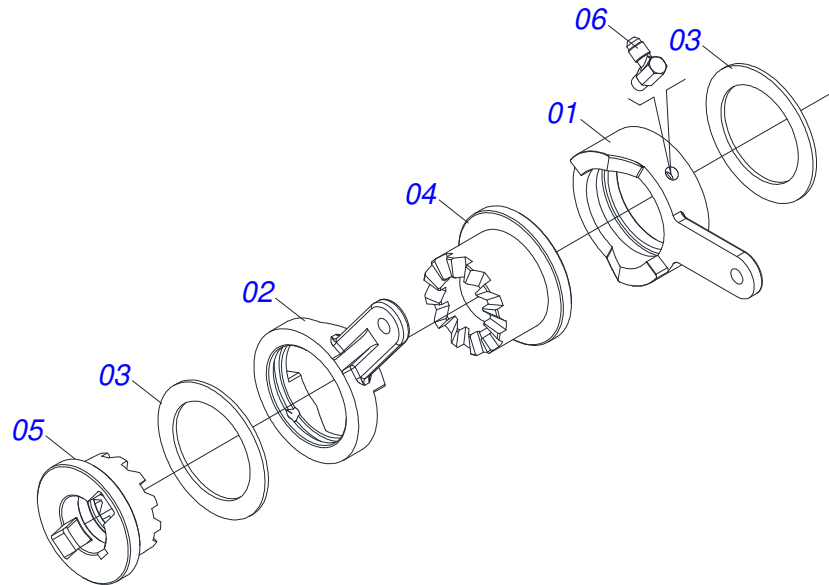
Item	Code	Description	See page	QT
01	0511062433	DISTRIBUTOR DISC		01
02	0521018638	LH FLIP		06
03	0503013029	3/8" X 3/4" BOLT		12
04	0503011443	3/8" SPRING WASHER		12
05	0503010026	3/8" NUT		12



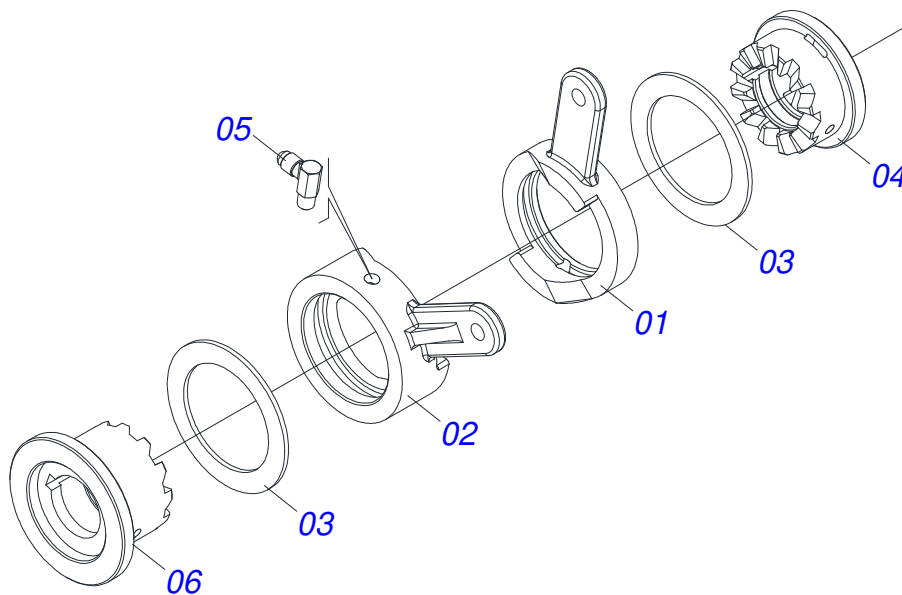
Item	Code	Description	See page	QT
01	0511066462	SUPPORT DISC DISTRIBUTOR RIGHT		01
02	0501048000	AGRICULTURAL BEARING		02
03	0503011102	BOLT 7/16 UNC X 1.1/4 C S G.5 ZN		08
04	0503011446	SPRING WASHER		08
05	0503010244	7/16" NUT		08
06	0531010187	DISTRIBUTOR AXLE CONDUCTOR DISC		01
07	0501010536	KEYWAY SQUARE		01
08	0502011361	REEL 1C 5.5" X 1.1" PULLEY		01
09	0511014052	FLAT WASHER		01
10	0503010355	7/16" X 1" BOLT		01
11	0503011446	SPRING WASHER		01
12	0541016208	SUPPORT BODY		01
13	0503010920	1/2 UNC X 1.1/2 C S G.5 ZN BOLT		02
14	0503010019	1/2" SPRING WASHER		03
15	0503010060	1/2 UNC G.5 ZN HEX NUT		03
16	0501019757	EXTENSION GREASE FITTING		01
17	0541016211	EXTENSION GREASE FITTING 1/8 BSP X 34		01



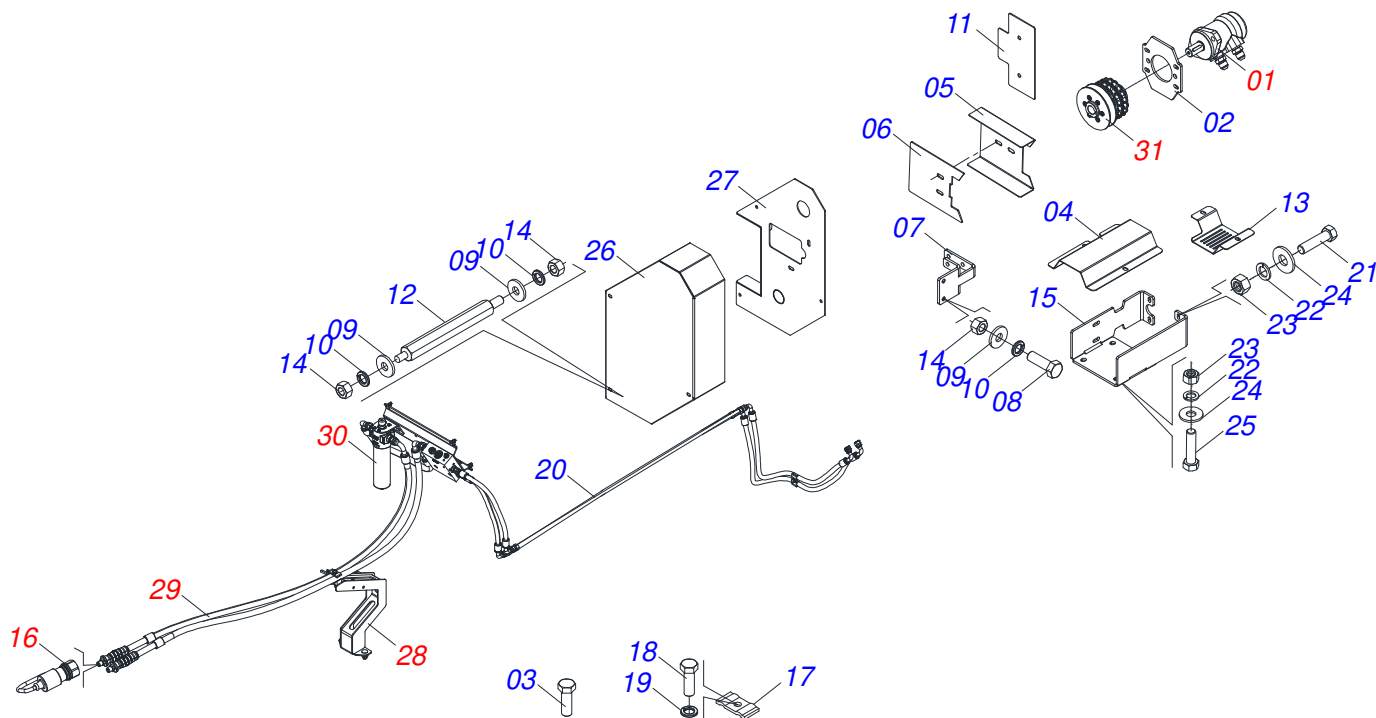
Item	Code	Description	See page	QT
01	0511066461	SUPPORT DISC DISTRIBUTOR LEFT		01
02	0501048000	AGRICULTURAL BEARING		02
03	0503011102	BOLT 7/16 UNC X 1.1/4 C S G.5 ZN		08
04	0503011446	SPRING WASHER		08
05	0503010244	7/16" NUT		08
06	0531010187	DISTRIBUTOR AXLE CONDUCTOR DISC		01
07	0501010536	KEYWAY SQUARE		01
08	0502011361	REEL 1C 5.5" X 1.1" PULLEY		01
09	0511014052	FLAT WASHER		01
10	0503010355	7/16" X 1" BOLT		01
11	0503011446	SPRING WASHER		01
12	0541016208	SUPPORT BODY		01
13	0503011102	BOLT 7/16 UNC X 1.1/4 C S G.5 ZN		02
14	0503011446	SPRING WASHER		03
15	0503010244	7/16" NUT		03
16	0501019757	EXTENSION GREASE FITTING		01
17	0541016211	EXTENSION GREASE FITTING 1/8 BSP X 34		01



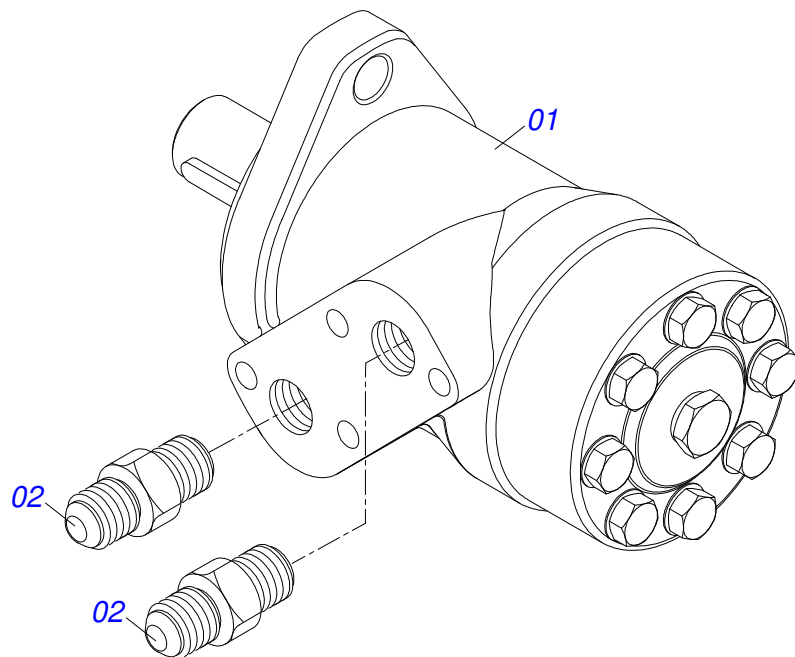
Item	Code	Description	See page	QT
01	0502011962	LEFT CAM,LARGER		01
02	0502011964	LEFT CAM, SMALLER		01
03	0501019734	FLAT WASHER		02
04	0502011917	RIGHT RATCHET LARGER		01
05	0502011916	SMALLE RIGHT RATCHET		01
06	0503012777	90G ELBOW		02



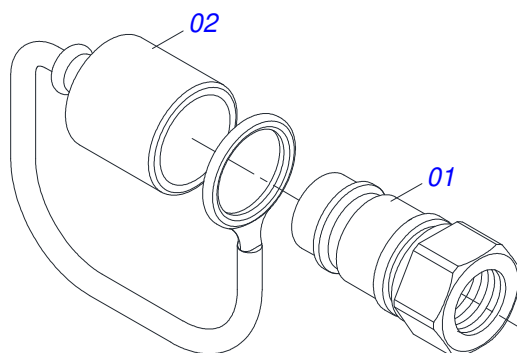
Item	Code	Description	See page	QT
01	0502011963	RIGHT CAM, SMALLER		01
02	0502011961	RIGHT CAM, LARGER		01
03	0501019734	FLAT WASHER		02
04	0502011955	SMALLE LEFT RATCHET		01
05	0503012777	90G ELBOW		02
06	0502011956	LARGER LEFT RATCHET		01



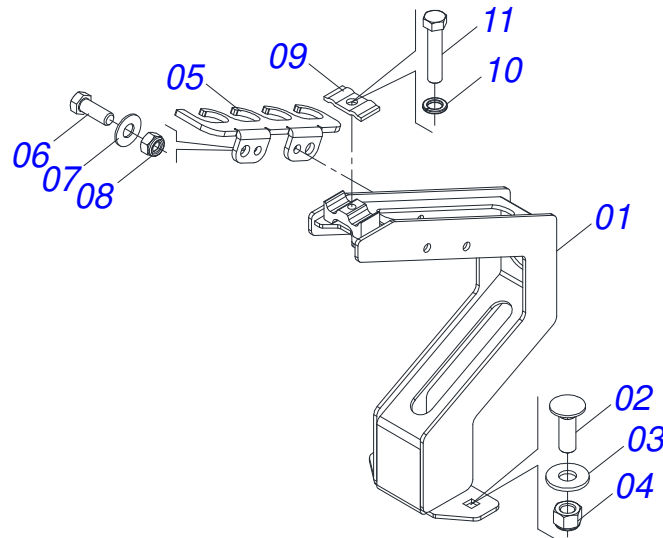
Item	Code	Description	See page	QT
01	0511053588	MOTOR HYDRAULIC OMP 80 WITH NIPPLE 7/8 NIPPE 7/8		01
02	0581014213	SUPPORT HYDRAULIC MOTOR		01
03	0503010751	C3/8" X 1.1/4" HEX BOLT G.5		06
04	0581014208	SUPERIOR PROTECTION COVER		01
05	0581014205	PROTECTION COVER BELT		01
06	0581014206	PROTECTION REAR		01
07	0521067760	SUPPORT		01
08	0503010237	3/8" X 1" BOLT		11
09	0501013518	FLAT WASHER		26
10	0503010025	3/8 SPRING WASHER		17
11	0581014210	COVER		01
12	0521012365	HEX PRISONER		03
13	0581014207	LOWER PROTECTION		01
14	0503010026	3/8" NUT		12
15	0521067759	SUPPORT FIXING BASE		01
16	0501053834	MALE QUICK COUPLER	17	02
17	0531011180	UPPER BODY CLIP		04
18	0503012555	SCREW 7/16 UNC X 2 CS RT G.7 ZN		04
19	0503010180	7/16" SPRING WASHER		10
20	0521066606	OIL TUBE		02
21	0503010920	1/2 UNC X 1.1/2 C S G.5 ZN BOLT		02
22	0503010019	1/2" SPRING WASHER		06
23	0503010060	1/2 UNC G.5 ZN HEX NUT		06
24	0511017302	FLAT WASHER 13,50 X 32,50 X 3,0 ZN		08
25	0503010905	1/2" X 2-1/4" BOLT		04
26	0581014211	CHAIN CAP		01
27	0521067758	PROTECTION REAR		01
28	0521058094	SUPPORT HOSE	18	01
29	0521058119	SIMPLE HYDRAULIC ACTUATION HOSE SET	19	01
30	0521057951	SUPPORT SIMPLE HYDRAULIC DRIVE	20	01
31	0521058096	COUPLING ASSEMBLY	24	01



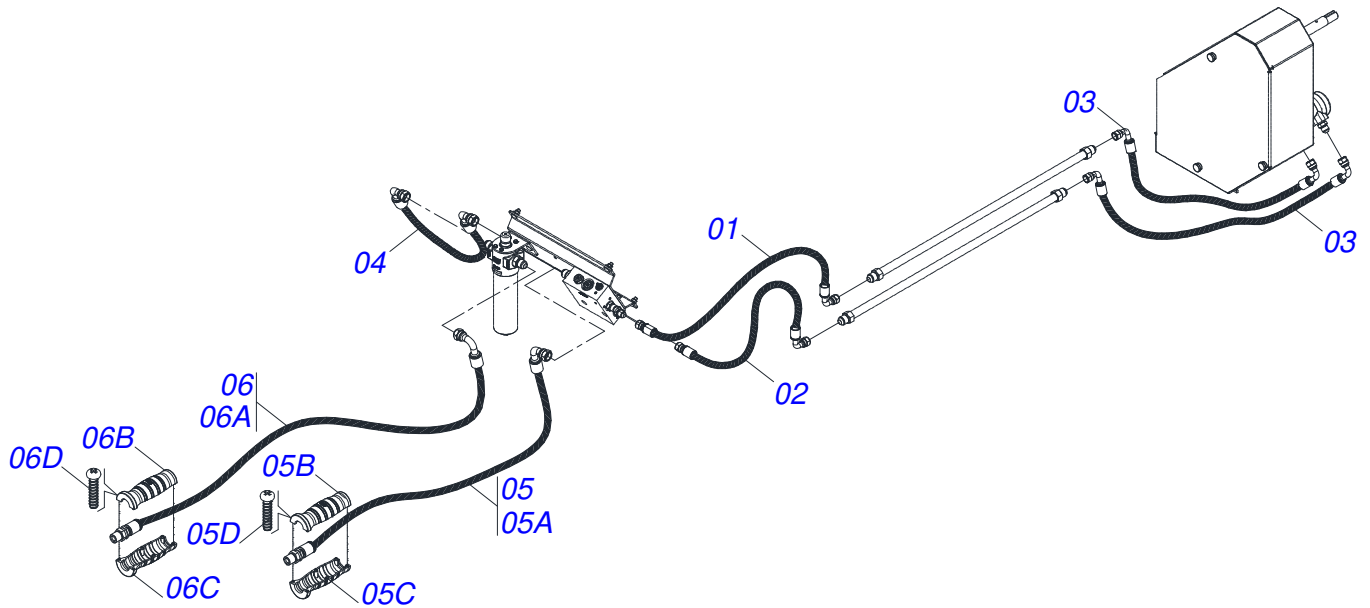
Item	Code	Description	See page	QT
01	0503016055	PARKER OMP 80 ISOBUS HYDRAULIC MOTOR		01
02	0511014065	7/8" NF X R1/2NPT X 52 NIPPLE		02



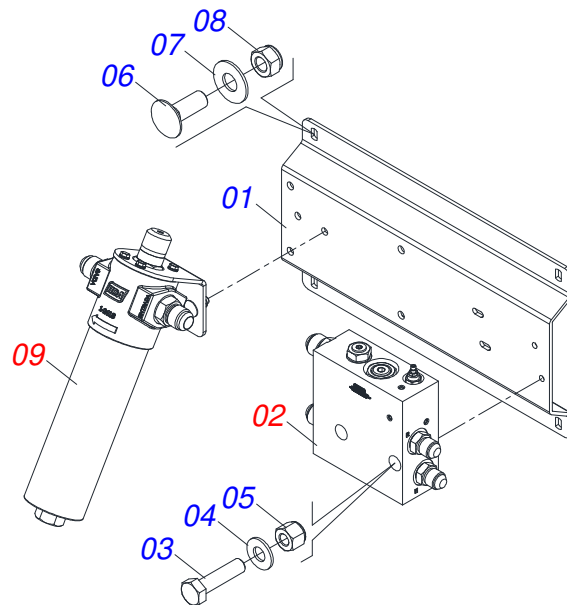
Item	Code	Description	See page	QT
01	0503011627	MALE QUICK COUPLER AGR 1/2 NPT		01
02	0503011882	MALE QUICK COUPLER CAP		01



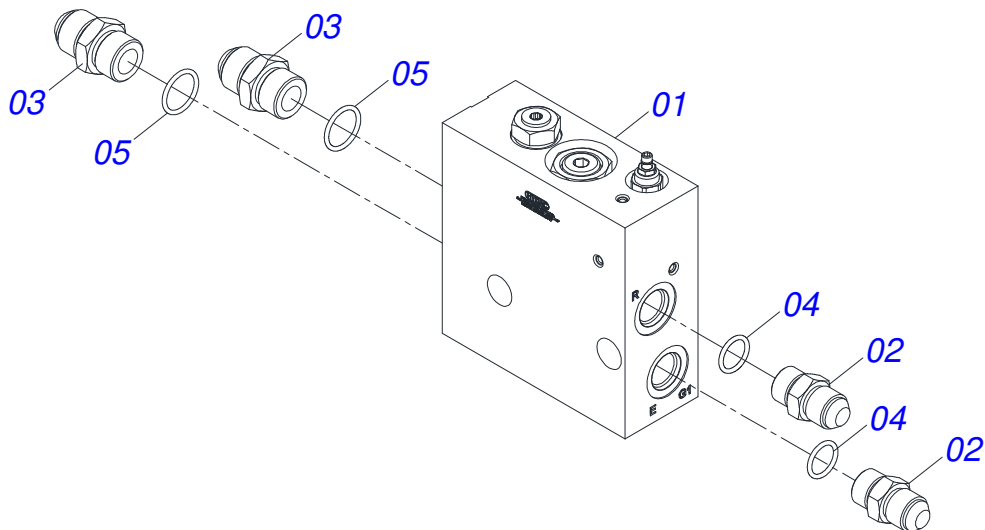
Item	Code	Description	See page	QT
01	0531060944	HOSE HOLDER ASSY		01
02	0503014378	1/2" X 1-1/2" BOLT		02
03	0511017302	FLAT WASHER 13,50 X 32,50 X 3,0 ZN		02
04	0503010589	1/2" UNC SELF ADJUSTING NUT		02
05	0591018556	HOSE FIXER ASSY		01
06	0503011087	3/8" X 1" BOLT		02
07	0501013518	FLAT WASHER		02
08	0503013357	3/8 SELF-ADJUSTING NUT		02
09	0531011180	UPPER BODY CLIP		01
10	0503010180	7/16" SPRING WASHER		01
11	0503011173	7/16" X 2" BOLT		01



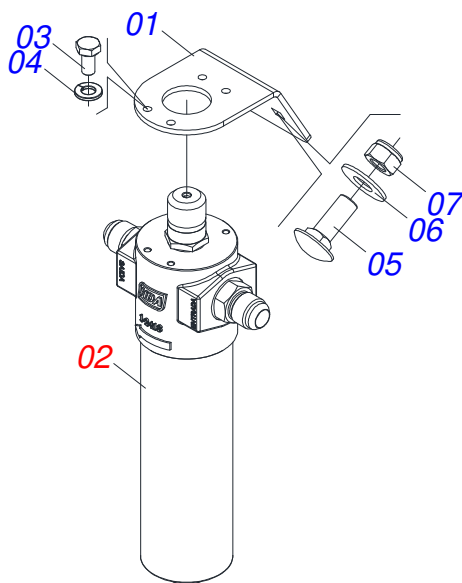
Item	Code	Description	See page	QT
01	0501080040	HOSE 1/2 X 500 TR-TC		01
02	0501080113	1/2 X600 HOSE TR-TC		01
03	0501080093	1/2 X 1300 HOSE TR-TC		02
04	0501081365	HOSE 3/4 X 680 TC-TC 180G		01
05	0521057977	HOSE 3/4 X 2100 TC-TM AMARILLO/AZUL		01
05A	0501082295	HOSE 3/4 X 2100 TC - TM R.1/2NPT		01
05B	0503034493	HYDRAULIC HOSE DEPTH (YELLOW)		01
05C	0503034494	HYDRAULIC HOSE GRIP (BLUE)		01
05D	0503018952	PLASTIC BOLT		06
06	0521057976	HOSE 3/4 X 2100 TC-TM YELLOW/RED		01
06A	0501082295	HOSE 3/4 X 2100 TC - TM R.1/2NPT		01
06B	0503034493	HYDRAULIC HOSE DEPTH (YELLOW)		01
06C	0503034495	HYDRAULIC HOSE GRIP (RED)		01
06D	0503018952	PLASTIC BOLT		06



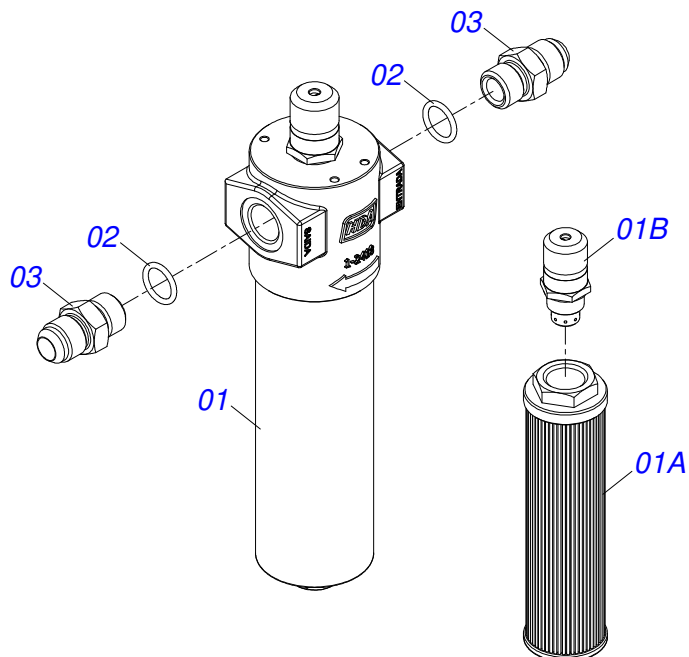
Item	Code	Description	See page	QT
01	0591013644	SUPPORT SET HIDRAULICO		01
02	0521057953	BLOCK HYDAC	21	01
03	0503011766	5/16" X 2-1/2" BOLT		02
04	0501010694	FLAT WASHER		02
05	0503013759	NUT		02
06	0501011643	3/8 X 1" BOLT		04
07	0501013518	FLAT WASHER		04
08	0503013357	3/8 SELF-ADJUSTING NUT		04
09	0521057952	FILTER PRES PARKER HDA FP20 10FV 06B LV6	22	01



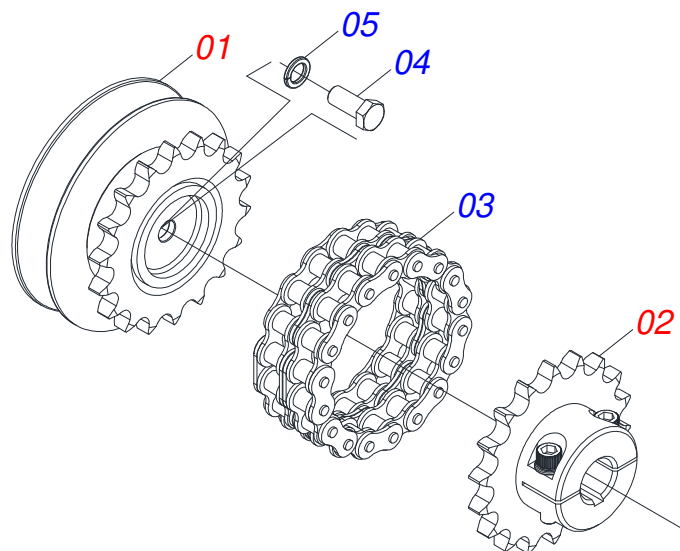
Item	Code	Description	See page	QT
01	0503063271	BLOCK		01
02	0501010590	NIPPLE		02
03	0501010589	R. 1.1/16UN SEXT 1.1/4 X 52 NIPPLE		02
04	0503010045	O'RING		02
05	0503011109	2-119 N 3006-9B O'RING		02



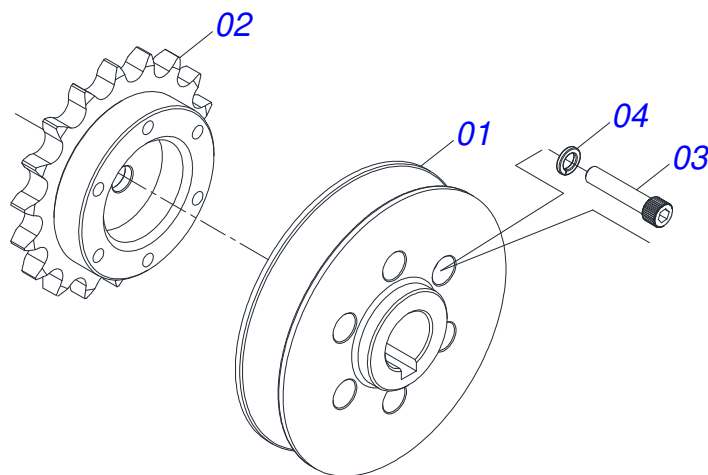
Item	Code	Description	See page	QT
01	0591013645	PRESSURE FILTER SUPPORT		01
02	0521057599	FILTER PRESS PARKER HDA FP20 10FV 06B LV6 23 WITH NIPPLE		01
03	0503011812	BOLT M6 X 1 X 12 CS 8.8 ZN		04
04	0503010143	1/4" SPRING WASHER		04
05	0501011643	3/8 X 1" BOLT		02
06	0501013518	FLAT WASHER		02
07	0503013357	3/8 SELF-ADJUSTING NUT		02



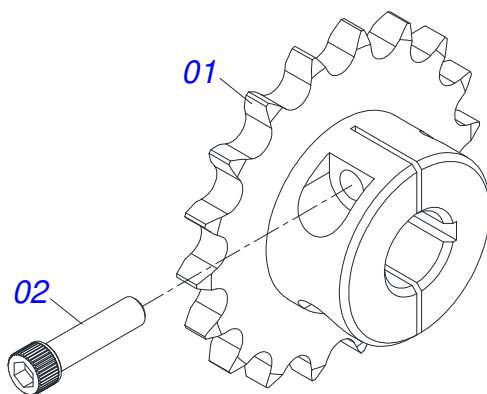
Item	Code	Description	See page	QT
01	0503063077	PRESSURE FILTER PARKER HDA FP20 10FV 06B LV6		01
01A	0503035357	FILTERING ELEMENT FOR PRESSURE FILTER		01
01B	0503019963	DIRT PRESSURE LINE INDICATOR		01
02	0503010605	O'RING		02
03	0591012696	NIPPLE 3/4 BSP X 1.1/16 UNF		02



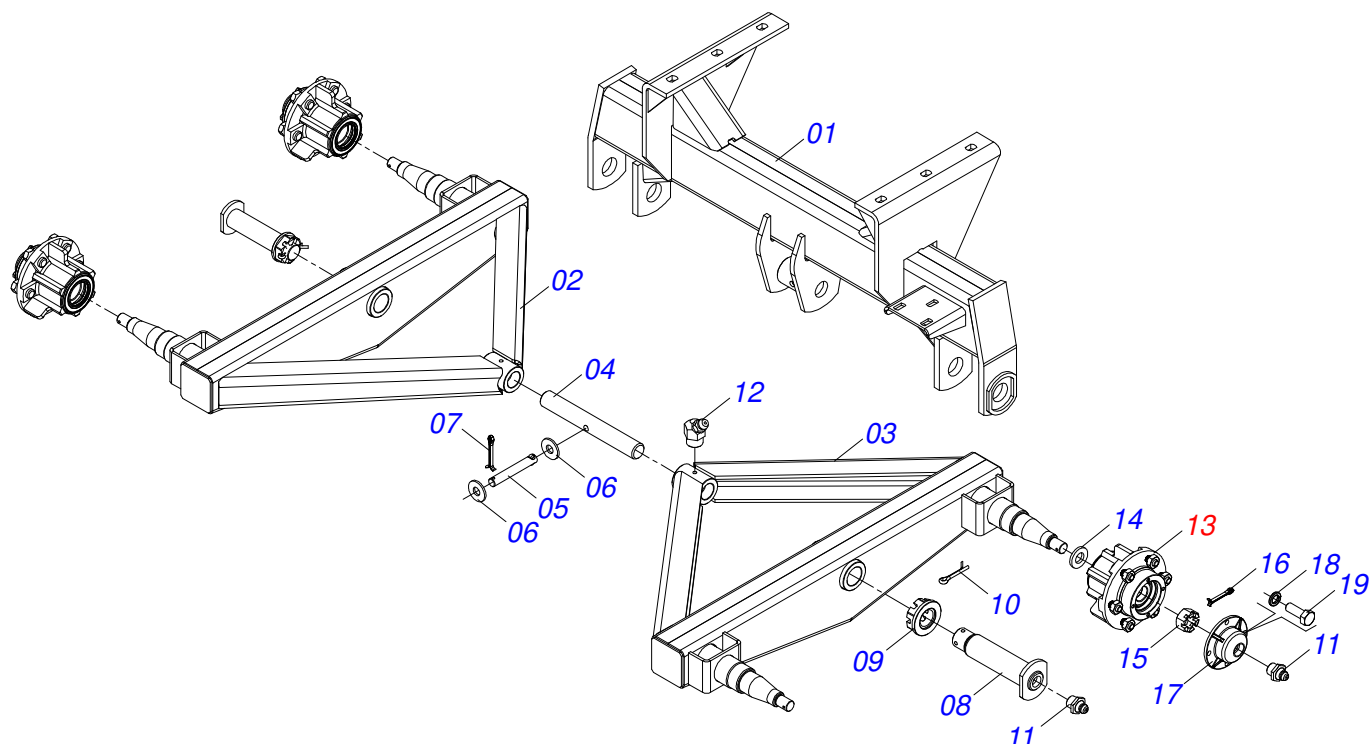
Item	Code	Description	See page	QT
01	0521058097	REEL	25	01
02	0521056365	P15,88 18Z GEAR SHAFT 25.40 KEYWAY 1/4 FULL	26	01
03	0503019469	CURRENT		01
04	0503010355	7/16" X 1" BOLT		01
05	0503011446	SPRING WASHER		01



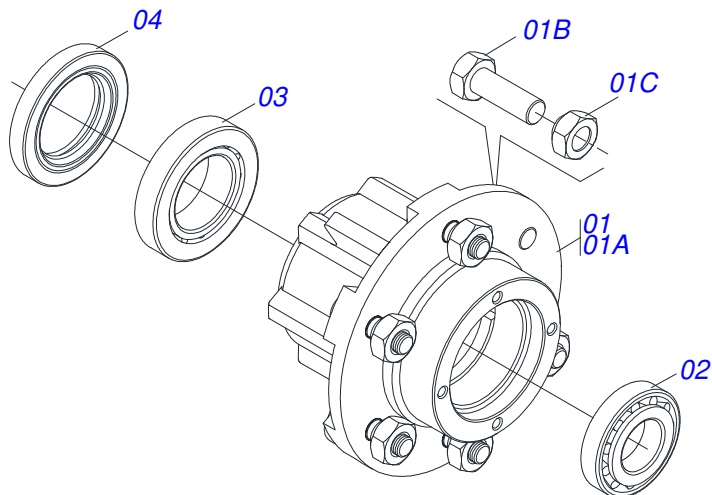
Item	Code	Description	See page	QT
01	0591013842	REEL		01
02	0531060945	GEAR		01
03	0503014521	5/16 UNC X 1.1/2 CCSI 12.9 BOLT		06
04	0503011444	SPRING WASHER		06



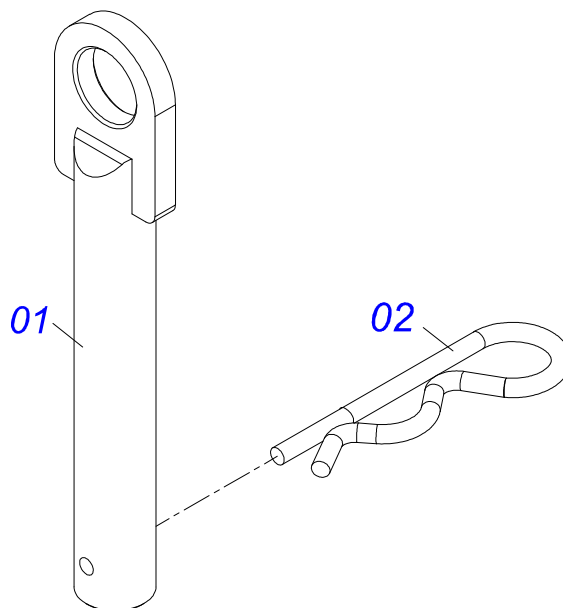
Item	Code	Description	See page	QT
01	0531060145	18Z GEAR P15.88 SHAFT 25.40 KEY 1/4		01
02	0503015348	3/8" BOLT		02



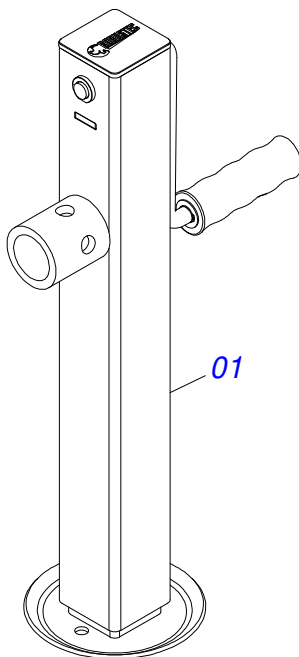
Item	Code	Description	See page	QT
01	0521063773	BALANCING FIXATION SUPPORT		01
02	0501069577	RIGHT ROCKER ARM		01
03	0501069578	LEFT BELL CRANCK		01
04	0521012427	1.5" X 11.4" COUPLING SHAFT		01
05	0521010553	0.5" X 3" COUPLING SHAFT		01
06	0511017302	FLAT WASHER 13,50 X 32,50 X 3,0 ZN		02
07	0503010577	3/16" X 1-1/4" COTTERPIN		01
08	0521012431	1-1/2" 7.6 PIVOT SHAFT		02
09	0501011301	1.1/2 UNC 6FPP 2.5/16 NUT		02
10	0503010010	1/4" X 2.1/2" COTTERPIN		02
11	0503010002	1800 GREASE FITTING		06
12	0503010003	1845 GREASE FITTING		02
13	0501051142	CARRYING WHEEL HUB	28	04
14	0501016545	FLAT WASHER		04
15	0503030009	1" CASTLE NUT		04
16	0503010131	3/16" X 1-1/2" COTTERPIN		04
17	0502020591	PROTECCION COVER		04
18	0503011444	SPRING WASHER		16
19	0503010358	5/16" X 5/8" BOLT		16



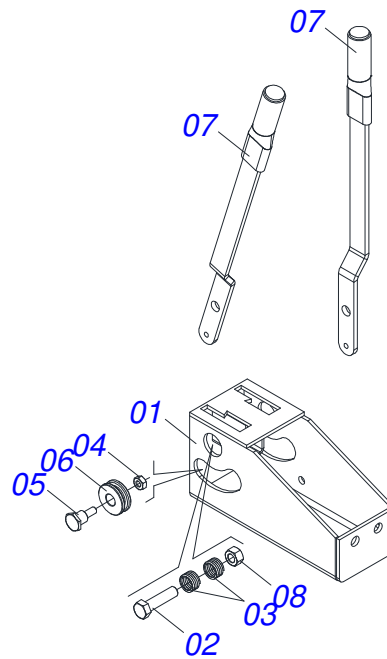
Item	Code	Description	See page	QT
01	0501110728	WHEEL HUB		01
01A	0502011121	CARRYING WHEEL HUB		01
01B	0501010127	9/16" X 1-7/8" LUG BOLT		06
01C	0503010035	9/16" CONIC NUT		06
02	0503010037	30207 ROLLER BEARING		01
03	0503010006	32210 ROLLER BEARING		01
04	0503012928	SEAL		01



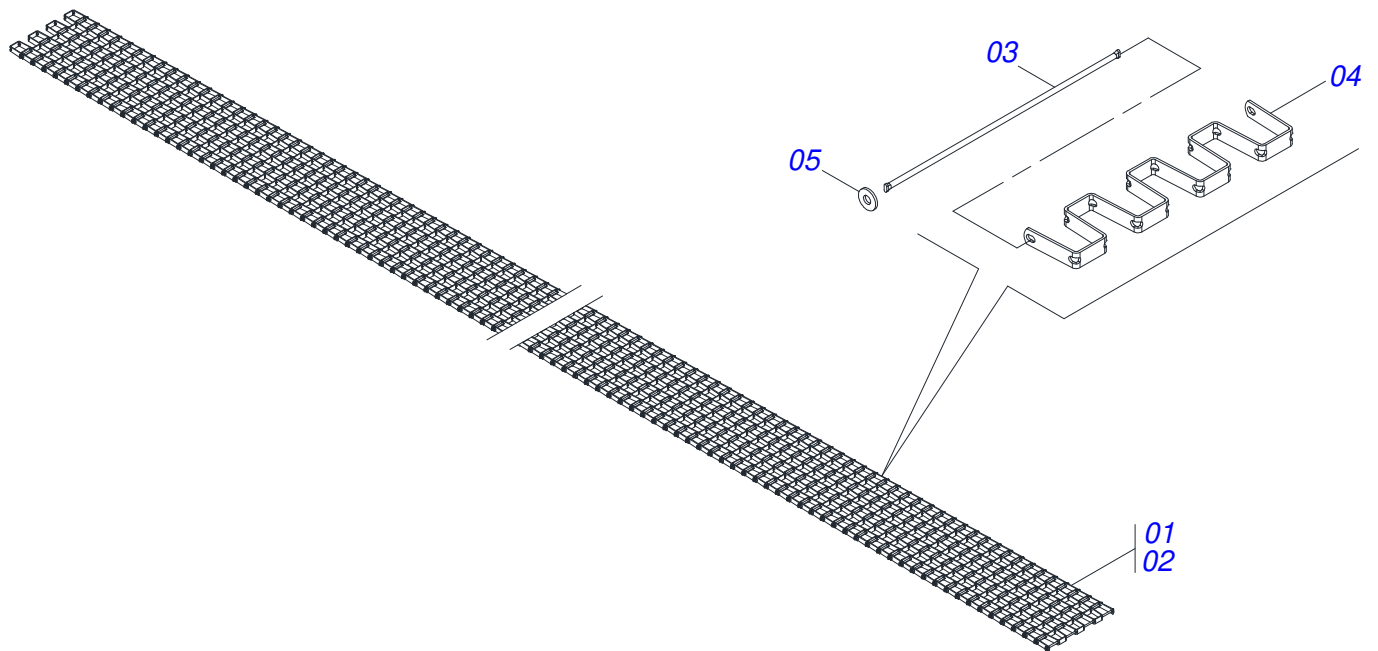
Item	Code	Description	See page	QT
01	0501068989	COUPLING SHAFT		01
03	0503031035	HITCH PIN CLIP		01



Item	Code	Description	See page	QT
01	0503062157	DRAWBAR JACK	30	01

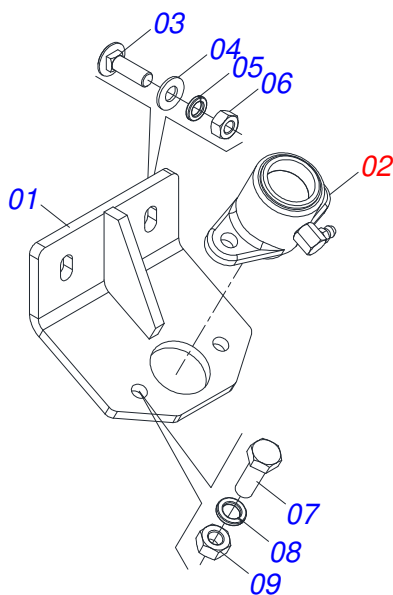


Item	Code	Description	See page	QT
01	0511062435	STEEL BOX LEVER CABLE		01
02	0503010547	1/2" X 4" BOLT		01
03	0503031719	0.7" X 1" X 1,1" COMPRESSION SPRING		02
04	0503013814	1/4" NC LOCKNUT		02
05	0581018035	AXLE PULLEY		02
06	0581018034	REEL		02
07	0531061430	LEVER		02
08	0503011336	1/2" HEX SELF ADJUSTING NUT		01

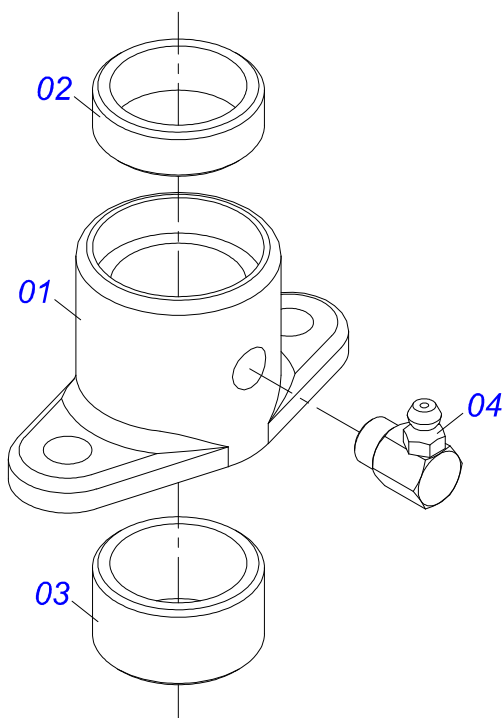


Item	Code	Description	See page	QT
01	0501059973	DRIVE ESTABILIZER		06
02	0501059975	DRIVE ESTABILIZER		01
03	0561016465	UNION AXIS		63
04	0561016506	TRANSPORT BODY RUNNING MACHINE		63
05	0503015148	WASHER		126

FIXER BEARING

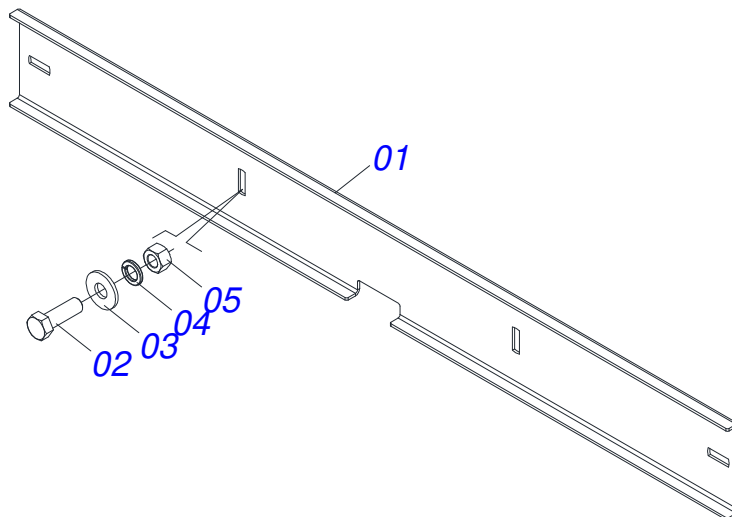


Item	Code	Description	See page	QT
01	0511066452	SLUICE VALVE FIXER BEARING		01
02	0511059094	SHAFT BEARING THREADED	34	01
03	0503030796	5/16" X 1" BOLT		02
04	0501010694	FLAT WASHER		02
05	0503010179	LOCK WASHER 5/16 ZN 1K01528		02
06	0503010337	5/16" NUT		02
07	0503010371	5/16" X 1" BOLT		02
08	0503011444	SPRING WASHER		02
09	0503010337	5/16" NUT		02

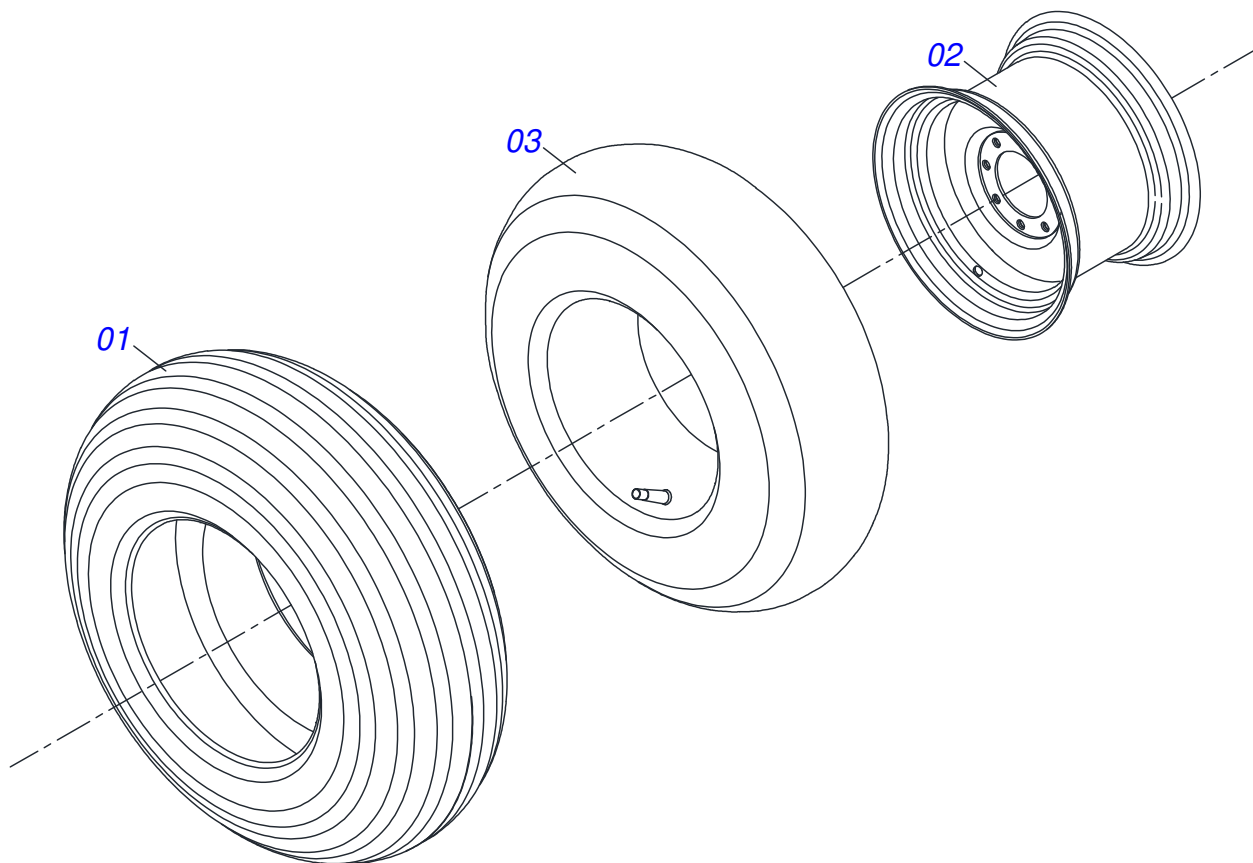


Item	Code	Description	See page	QT
01	0502010581	ROD BEARING		01
02	0521010458	SLEEVE		01
03	0521010457	SLEEVE		01
04	0503010004	1890 GREASE FITTING		01

BAMPER



Item	Code	Description	See page	QT
01	0501019838	BAMPER		01
02	0503010920	1/2 UNC X 1.1/2 C S G.5 ZN BOLT		02
03	0511017302	FLAT WASHER 13,50 X 32,50 X 3,0 ZN		02
04	0503010019	1/2" SPRING WASHER		02
05	0503010060	1/2 UNC G.5 ZN HEX NUT		02



Item	Code	Description	See page	QT
01	0503010858	CANVAS TIRE		01
02	0503011468	WEEL		01
03	0503010860	AIR CHAMBER 11L 15		01



MARCHESAN

Technical Publications | Elaboration and Revision

LORENA ROCHA ALVES

www.marchesan.com.br

