

CHASER BIN

DCA DC 7500

Code: 0501093170
Series: S-0205
Revision: 01
Date Revision: FEVEREIRO/2023

PARTS CATALOGUE



MARCHESAN



PRODUCTS

Code	Description
0109090126	DCA DC 7500 S/OPCIONAIS S-0205
0109090070	DCA DC 7500 COMPLETO S-0205

ATTENTION: IMPORTANT

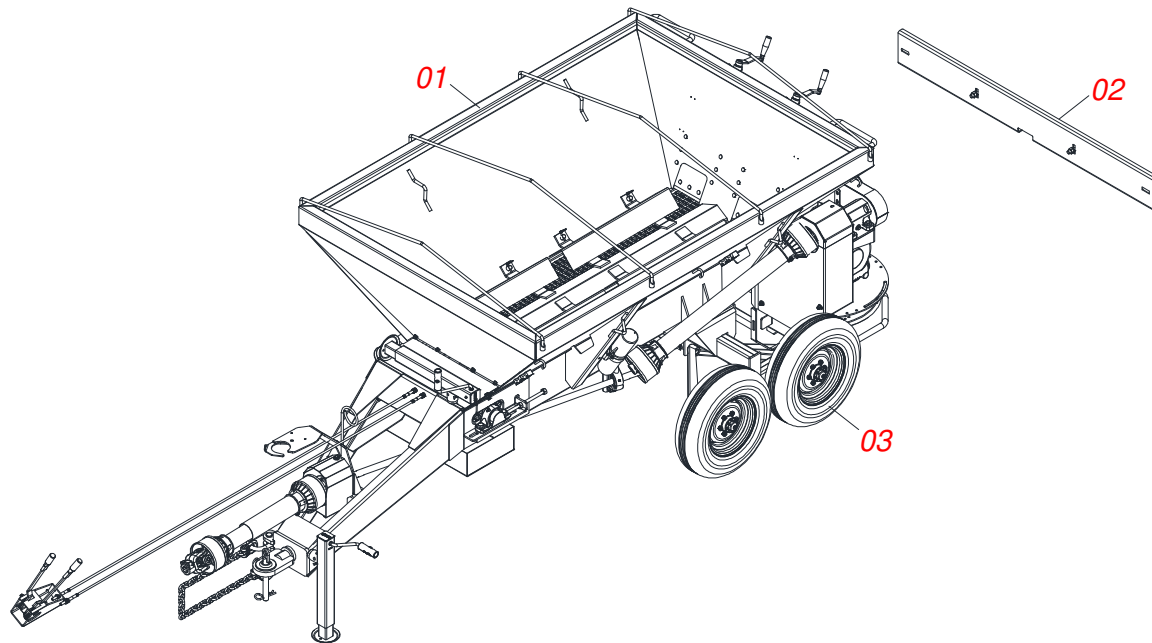
Marchesan S.A. reserves the right to improve and/or modify the technical features of its products, without obligation to do the same with those products already sold and without prior knowledge of the dealer or the customer. The photos are only illustrative.



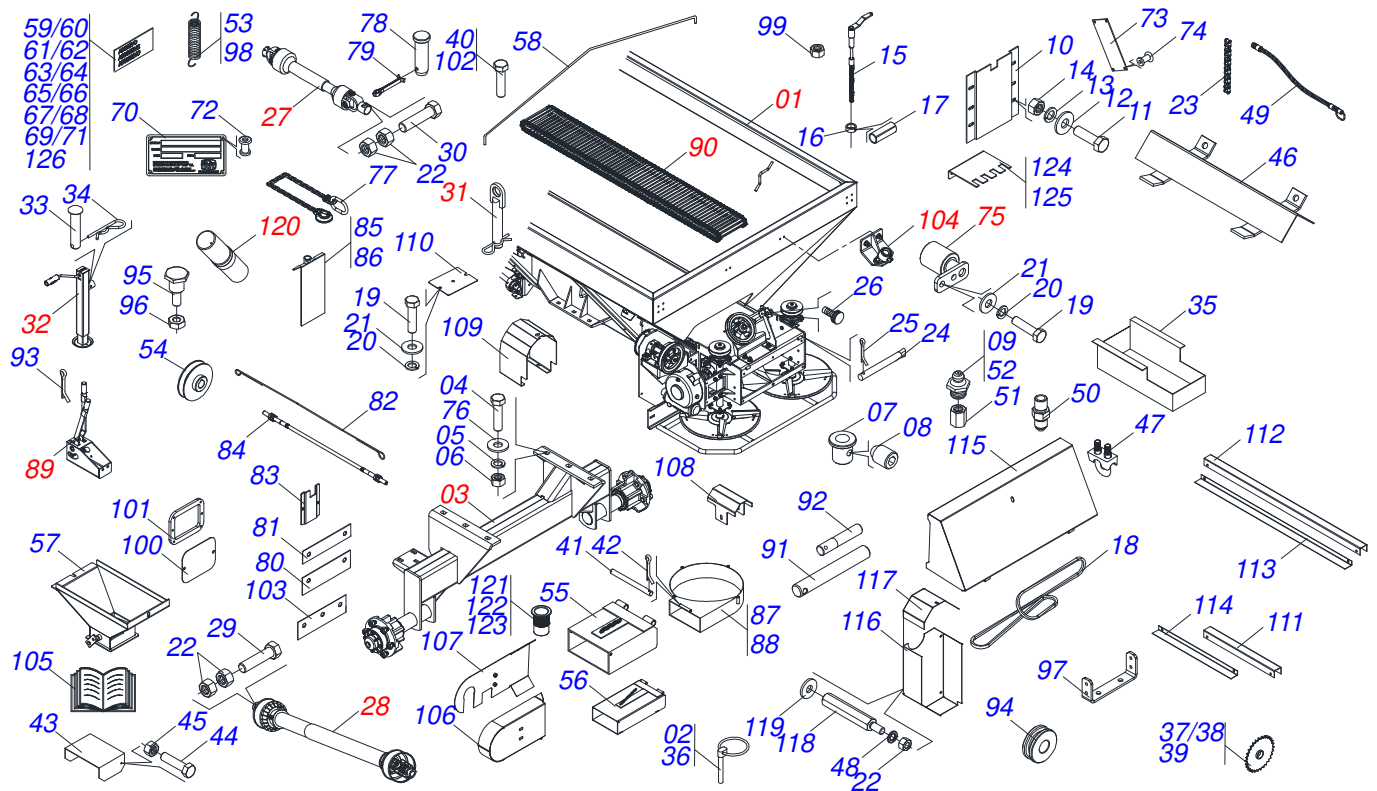
MARCHESAN

INDEX

0909096099	ASSY FRAME	1
0511047195	FRAME ASSY	2
0501056186	BUCKET	3
0501047985	REDUCER	4
0501051774	38Z CROWN	5
0511041213	AGRICULTURAL BEARING	6
0501053159	DISTRIBUTOR RIGHT DISC ASSY	7
0501053160	DISTRIBUTOR LEFT DISC ASSY	8
0501056183	RIGHT BEARING SUPPORT DISC	9
0501056184	LEFT BEARING SUPPORT DISC	10
0501053163	MAT VALVE RIGHT ASSY	11
0501053164	MAT VALVE LEFT ASSY	12
0501044306	BATH BEARING	13
0521053161	CARDAN SUPPORT WITHOUT SPRING	14
0521046046	FIXING STAND ASSY	15
0501051142	CARRYING WHEEL HUB	16
0501047881	AXIS JOINT ASSY	17
0501048241	DRIVE SHAFT	18
0501048783	DRIVE SHAFT	19
0503062157	DRAWBAR JACK	20
0501053157	LEVER BOX CABLE STEEL	21
0511048567	STAINLESS STEEL TRANSPORT	22
0521053728	FIXER BEARING	23
0511059094	SHAFT BEARING THREADED	24
0531050025	ASSY MANUAL DOOR	25
0511043683	ASSY FRAME	26
0531050027	BAMPER	27
0503060181	WHEEL AND TIRE	28



Item	Code	Description	See page	QT
01	0511047195	FRAME ASSY	2	01
01.	0511043683	ASSY FRAME	26	01
02	0531050027	BAMPER	27	01
03	0503060181	WHEEL AND TIRE	28	04



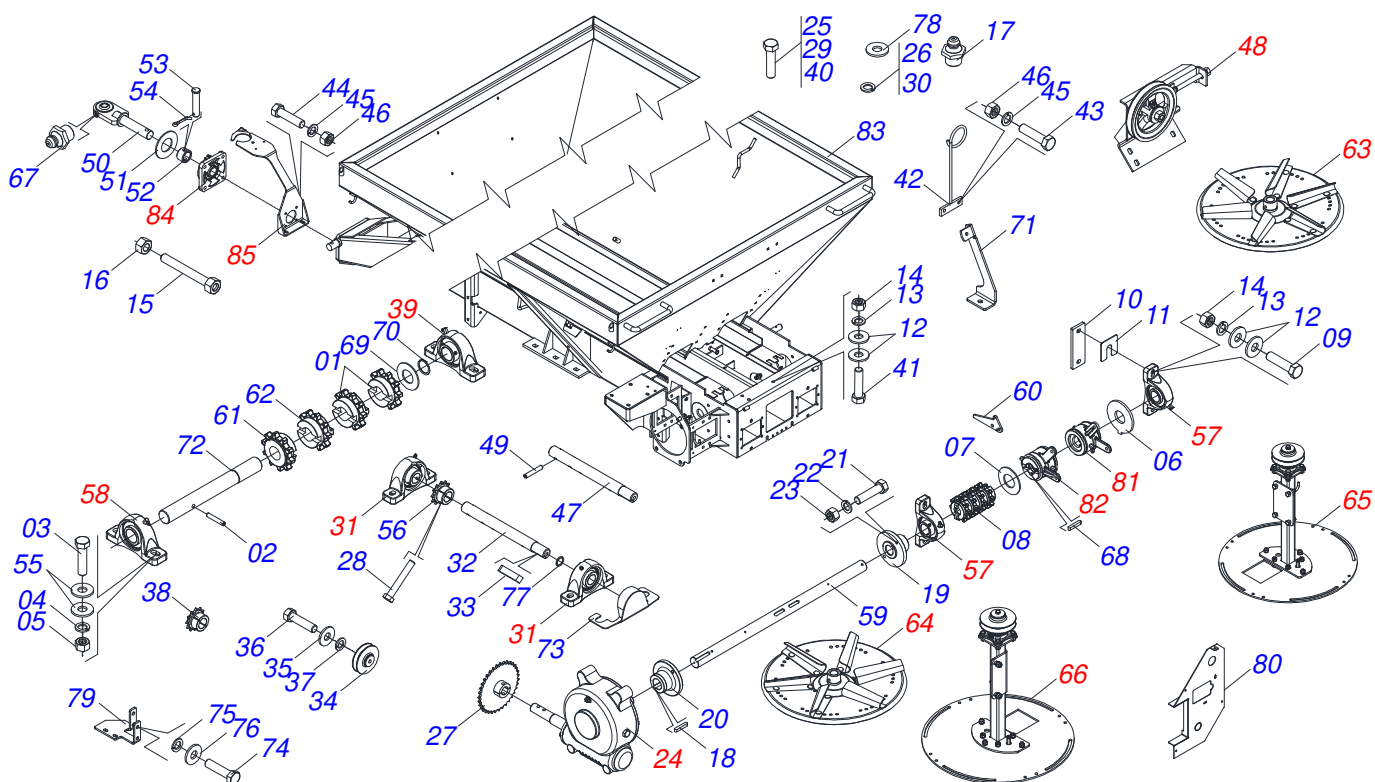
Item	Code	Description	See page	QT
001	0501056186	BUCKET	3	01
002	0503030085	LOCK PIN		01
003	0521046046	FIXING STAND ASSY	15	01
004	0503010899	5/8 UNC X 2.1/4 BOLT		06
005	0503010027	5/8 SPRING WASHER		06
006	0503010013	5/8 NUT		06
007	0541016204	ADJUSTMENT NUT DCA-DC		02
008	0503011148	3/8" X 1/2" BOLT		02
009	0503010002	1800 GREASE FITTING		04
010	0531017187	SLUICE VALVE GUIDE		02
011	0503011953	5/16" X 1" BOLT		22
012	0501010694	FLAT WASHER		22
013	0503010179	LOCK WASHER 5/16 ZN 1K01528		22
014	0503010337	5/16" NUT		22
015	0511066489	REGULATOR SPINDLE		02
016	0511013015	SLEEVE		02
017	0503010561	SPRING PIN		02
018	0503010154	C-128 BELT		01
019	0503010237	3/8" X 1" BOLT		17
020	0503010025	3/8 SPRING WASHER		45
021	0501010984	10,50 X 27 X 3,00 FLAT WASHER		39
022	0503010026	3/8" NUT		35
023	0503013002	50-1 CHAIN X 81 LINK + MENDING + REDUCTION		01
024	0501017574	0.3" X 2.7" AXLE		02
025	0503010140	1/8" X 3/4" COTTERPIN		02
026	0503010386	CABLE		01
027	0501048241	DRIVE SHAFT	18	01
028	0501048783	DRIVE SHAFT	19	01
029	0503011268	3/8" X 2-1/2" BOLT		02
030	0503010765	3/8" X 3" BOLT		01
031	0501047881	AXIS JOINT ASSY	17	01



DCA DC 7500
FRAME ASSY

Item	Code	Description	See page	QT
032	0503062157	DRAWBAR JACK	20	01
033	0521010549	COUPLING SHAFT		01
034	0503030168	HITCH PIN CLIP		01
035	0511062421	COLLECCION BOX		01
036	0503030085	LOCK PIN		11
037	0511062448	26Z P0.6" GEAR		02
038	0501069020	35Z GEAR		02
039	0511062449	40Z P0.7" GEAR		01
040	0503010751	C3/8" X 1.1/4" HEX BOLT G.5		04
041	0531010081	0.6" X 10.8" AXLE		02
042	0503010257	1/8" X 1" COTTERPIN		04
043	0541016214	BODY ADJUSTMENT HEIGHT		02
044	0503013813	1/4" UNC X 7/8" BOLT		04
045	0503010144	1/4" NUT		08
046	0511066488	DEFLECTOR		06
047	0503010431	1/8" CABLO STEEL STAPLE		08
048	0501010984	10,50 X 27 X 3,00 FLAT WASHER		06
049	0501081198	1/4 X 390 HOSE		04
050	0503012776	1/8" NF NIPPLE		04
051	0531013919	GREASE FITTING FIXER		04
052	0503010002	1800 GREASE FITTING		04
053	0503030198	0.6" X 2.4" X 0.1" EXTENSION SPRING		02
054	0502011953	3.7 X 1.1 REEL		01
055	0511066448	BICA DRIVERS		02
056	0511067201	BICA LONG DRIVERS		02
057	0511066615	DIRECT SOCKET		02
058	0541017506	SUPPORT CANVAS ARCH		04
059	0503031427	ADHESIVE LABEL		01
060	0503060818	ASSY STICKER		01
061	0503031652	ADHESIVE LABEL		01
062	0503031688	ADHESIVE LABEL		01
063	0503031818	ADHESIVE LABEL		01
064	0503031859	ADHESIVE LABEL DANGER		02
065	0503031827	LUBRICATE AND RETIGHTEN DAILY DECAL		01
066	0503031428	READ MANUAL DECAL		01
067	0503031087	ADHESIVE LABEL		01
068	0503031809	ADHESIVE LABEL		01
069	0503032425	ADHESIVE LABEL ATTENTION		01
070	0503034003	SERIAL NUMBER TAG 61 X 118		01
071	0503032949	ADHESIVE LABEL		01
072	0503010001	3.2 X 5.5 RIVET		04
073	0503030751	REGULATOR PLATE		01
074	0503012209	RIVET POP		04
075	0501050829	CHAIN TENSIONER		01
076	0501012140	FLAT WASHER		12
077	0503013150	1300 X 3/8 CHAIN		01
078	0581011220	COUPLING SHAFT		01
079	0503010131	3/16" X 1-1/2" COTTERPIN		01
080	0531010059	7.1" X 3.3" X 0.1" PROTECTION		02
081	0531010273	RUBBER SUPPORT FIXER COVER		02
082	0531010467	1/8" X 255" STEEL CABLE		02
083	0531017384	RATCHET PROTECTION		01
084	0503012779	STEEL CONDUCTOR CABLO 1/8"		02
085	0511066458	LH SLUICE VALVE COVER		01
086	0511066457	RH SLUICE VALVE COVER		01
087	0511066450	LEFT CONTROLLER		01
088	0511066449	RIGHT CONTROLLER		01
089	0501053157	LEVER BOX CABLE STEEL	21	01
090	0511048567	STAINLESS STEEL TRANSPORT	22	02

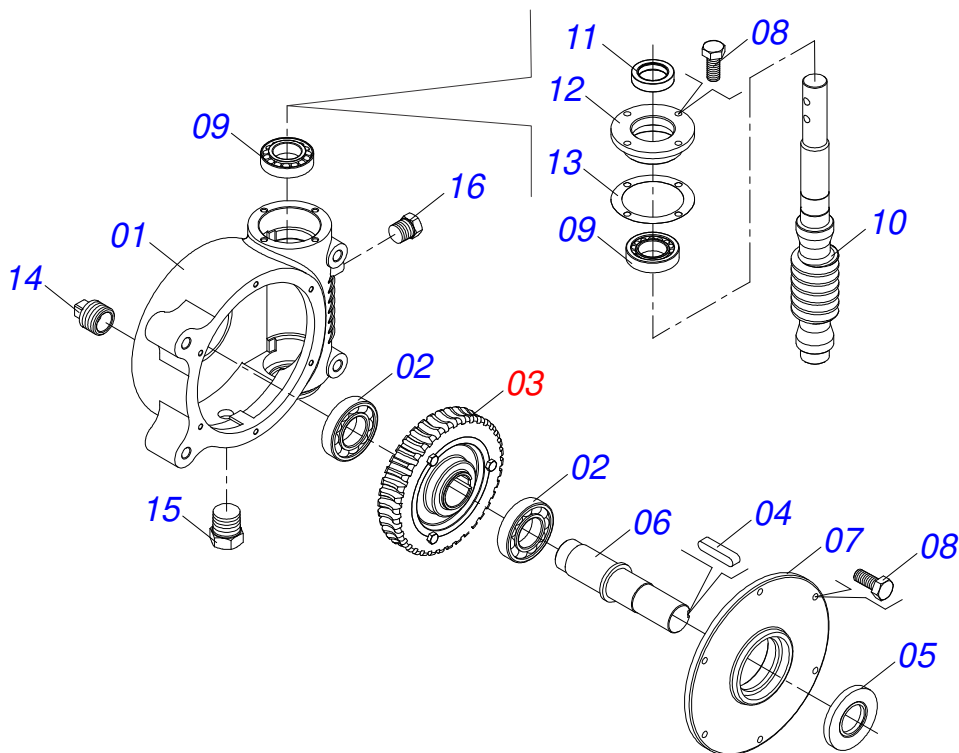
Item	Code	Description	See page	QT
091	0581016925	PRISONER		02
092	0581018030	DISASSEMBRE AXLE		02
093	0503010140	1/8" X 3/4" COTTERPIN		02
094	0581018034	REEL		02
095	0581018035	AXLE PULLEY		02
096	0503013814	1/4" NC LOCKNUT		02
097	0581018047	STRETCHER SPINDLE FIXER		01
098	0503030093	TRACTION SPRING		02
099	0503010060	1/2 UNC G.5 ZN HEX NUT		04
100	0581018031	REAR PROTECTION		02
101	0581018033	REAR PROTECTION FIXER SUPPORT		02
102	0503010256	3/8" X 3/4" BOLT		18
103	0503034731	SCRAPER		02
104	0521053728	FIXER BEARING	23	02
105	0511033359	BAG WITH CATALOG		01
106	0581017500	REAR LATERAL PROTECTION BELT		01
107	0521068820	REAR LATERAL PROTECTION BELT		01
108	0591016133	COVER PROTECTION AXLE		01
109	0581017468	PROTECTION BODY		01
110	0581017488	LOWER PROTECTION BOARD CARDAN		01
111	0521068815	LESSER PROTECTION AXIS 555		01
112	0521068814	AXLE PROTECTION 1350		01
113	0581017485	PROTECTION SHAFT COVER 1350		01
114	0581017486	COVER LOWER PROTECTION AXIS 555		01
115	0501069840	REAR COVER PROTECTION		01
116	0591011524	PROTECTION COVER		01
117	0591011525	UPPER COVER		01
118	0521012365	HEX PRISONER		03
119	0501013518	FLAT WASHER		04
120	0531050025	ASSY MANUAL DOOR	25	01
121	0503019416	RIVET SCREW THREAD INTERNAL		09
122	0503019729	THREAD SCREW INTERNAL		08
123	0503019413	THREAD SCREW INTERNAL		04
124	0541016209	RH TOOTH COVER		01
125	0541016210	LH TOOTH COVER		01
126	0503036144	MAXIMUM SPEED ADHESIVE LABEL		01



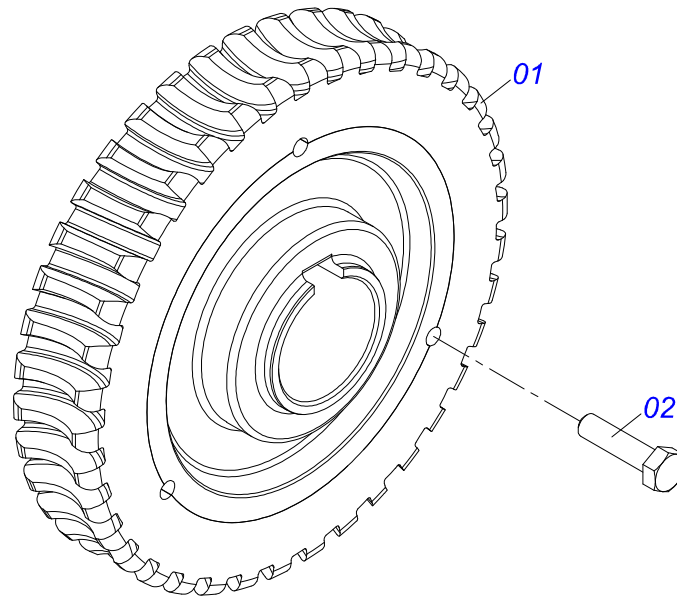
Item	Code	Description	See page	QT
01	0502011959	10Z P 1.50" GEAR		04
02	0503010361	SPRING PIN		04
03	0503010899	5/8 UNC X 2.1/4 BOLT		04
04	0503011445	SPRING WASHER		04
05	0503010013	5/8 NUT		04
06	0541018271	FLANGE AXLE TRANSMISSION		02
07	0501019734	FLAT WASHER		04
08	0501110334	GEAR 10Z ASSY		02
09	0503010740	BOLT 1/2 UNC X 2 CS G.5 ZN		08
10	0541016213	BEARING CHUCK REAR SIDE		02
11	0501010794	HIDR CHOCK REGULATOR		04
12	0511017302	FLAT WASHER 13,50 X 32,50 X 3,0 ZN		15
13	0503011440	SPRING WASHER		23
14	0503010060	1/2 UNC G.5 ZN HEX NUT		23
15	0501067853	ROD STABILIZER		04
16	0503010013	5/8 NUT		04
17	0503010002	1800 GREASE FITTING		01
18	0501010540	KEYWAY SQUARE		02
19	0511016540	MAT COUPLING FLANGE		01
20	0511016541	REDUCTION COUPLING FLANGE		01
21	0503010849	3/8" X 1-1/2" BOLT		02
22	0503011443	3/8" SPRING WASHER		02
23	0503010026	3/8" NUT		12
24	0501047985	REDUCER	4	01
25	0503011167	M16 X 2 X 30 BOLT		04
26	0503011445	SPRING WASHER		04
27	0511062450	47Z P0.6" GEAR		01
28	0503011268	3/8" X 2-1/2" BOLT		03
29	0503010751	C3/8" X 1.1/4" HEX BOLT G.5		02
30	0503011443	3/8" SPRING WASHER		02
31	0511041213	AGRICULTURAL BEARING	6	02

BUCKET

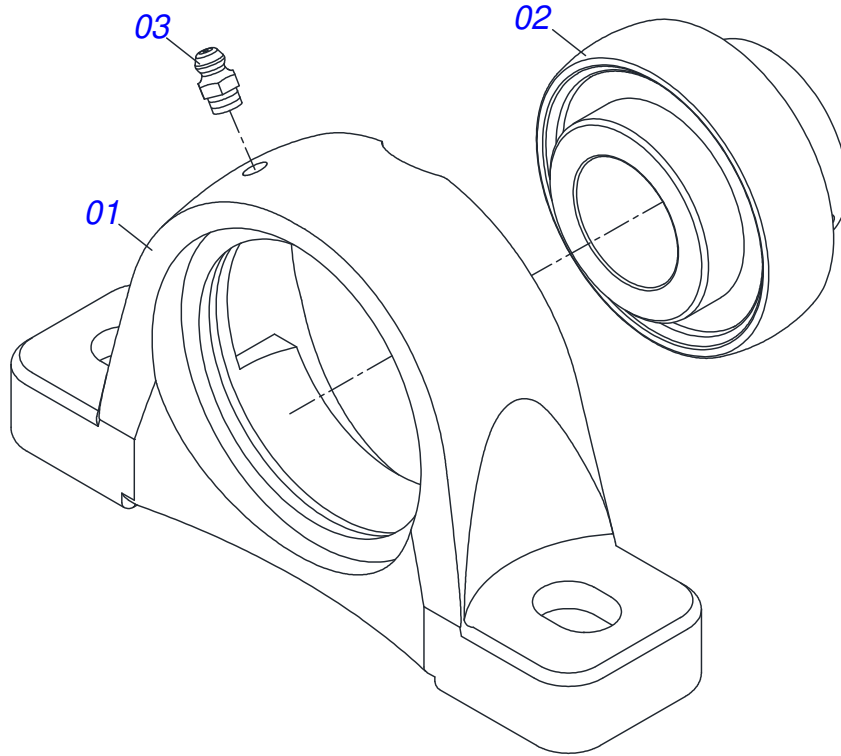
Item	Code	Description	See page	QT
32	0521011063	TRANSMISSION AXLE		01
33	0501010536	KEYWAY SQUARE		01
34	0502011361	REEL 1C 5.5" X 1.1" PULLEY		01
35	0511014052	FLAT WASHER		01
36	0503010355	7/16" X 1" BOLT		01
37	0503011446	SPRING WASHER		01
38	0511062447	17Z P0.6" GEAR		01
39	0511041213	AGRICULTURAL BEARING	6	01
40	0503011082	C1/2" X 1.3/4" SCREW		02
41	0503010920	1/2 UNC X 1.1/2 C S G.5 ZN BOLT		13
42	0511062420	STEEL SUPPORT CABLE		01
43	0503011102	BOLT 7/16 UNC X 1.1/4 C S G.5 ZN		02
44	0503011135	BOLT		02
45	0503011446	SPRING WASHER		04
46	0503010244	7/16" NUT		04
47	0521012415	2220 TRANSMITTER AXLE		01
48	0501046802	BELT TENSIONER ASSY		01
49	0503010361	SPRING PIN		02
50	0521068793	TRACTOR TRACTOR		01
51	0501015875	FLAT WASHER		01
52	0521010681	BUSHING COUPLING BODY		01
53	0521010639	COUPLING SHAFT		01
54	0503010571	1/4" X 1.1/2 COTTERPIN		01
55	0501012140	FLAT WASHER		08
56	0501069017	12Z GEAR		01
57	0501044308	AGRICULTURAL BEARING ASSY		02
58	0501044308	AGRICULTURAL BEARING ASSY		02
59	0531010168	MOTOR SHAFT		01
60	0541016212	HITCH STEEL CABLE		02
61	0502012327	10Z GEAR		02
62	0502012340	10Z GEAR		02
63	0501053159	DISTRIBUTOR RIGHT DISC ASSY	7	01
64	0501053160	DISTRIBUTOR LEFT DISC ASSY	8	01
65	0501056183	RIGHT BEARING SUPPORT DISC	9	01
66	0501056184	LEFT BEARING SUPPORT DISC	10	01
67	0503012102	CREASE FITTING		01
68	0501010536	KEYWAY SQUARE		02
69	0531010253	FLAT WASHER		02
70	0503010391	501038 CLAMPING RING (FOR AXLE)		02
71	0511060909	PROTECTION REAR SUPPORT FIXER		01
72	0541016205	DCA-DC AXLE		02
73	0521068822	BEARING PROTECTION		03
74	0503010237	3/8" X 1" BOLT		02
75	0503011443	3/8" SPRING WASHER		02
76	0501013518	FLAT WASHER		02
77	0511016579	WASHER		01
78	0501010984	10,50 X 27 X 3,00 FLAT WASHER		02
79	0521068821	SUPPORT BELT PROTECTION		01
80	0531060297	PROTECTION REAR		01
81	0501053163	MAT VALVE RIGHT ASSY	11	01
82	0501053164	MAT VALVE LEFT ASSY	12	01
83	0511066487	BUCKET		01
84	0501044306	BATH BEARING	13	01
85	0521053161	CARDAN SUPPORT WITHOUT SPRING	14	01



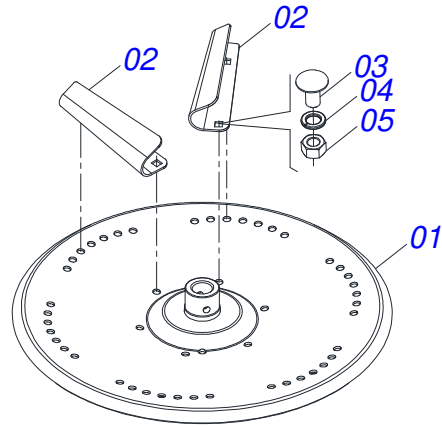
Item	Code	Description	See page	QT
01	0502011456	REDUCTION BOX		01
02	0503011095	6208 BALL BEARING		02
03	0501051774	38Z CROWN	5	01
04	0503011304	1/2" X 2.4" KEYWAY SQUARE		01
05	0503010818	02675-BRG SEAL		01
06	0521010996	AXLE		01
07	0502020556	LARGER COVER		01
08	0503010240	BOLT		10
09	0503010016	BEARING LM		02
10	0521010997	SCREW THEAD		01
11	0503011171	00912-BRG SEAL		01
12	0502011457	SMALLER COVER		01
13	0503030981	102 X 75,5 X 0,10 JOINT		01
14	0521011023	PLUG		01
15	0513010009	LEVEL DISPLAY		01
16	0503010856	OIL PLUG		01



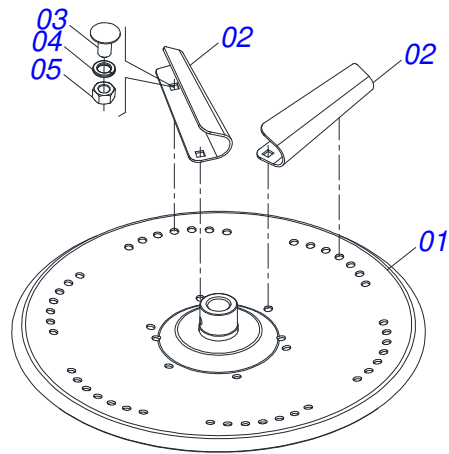
Item	Code	Description	See page	QT
01	0501110280	38Z CONICAL		01
02	0503010365	BOLT 5/16 UNC X 1.1/4 C S G.5 ZN		03



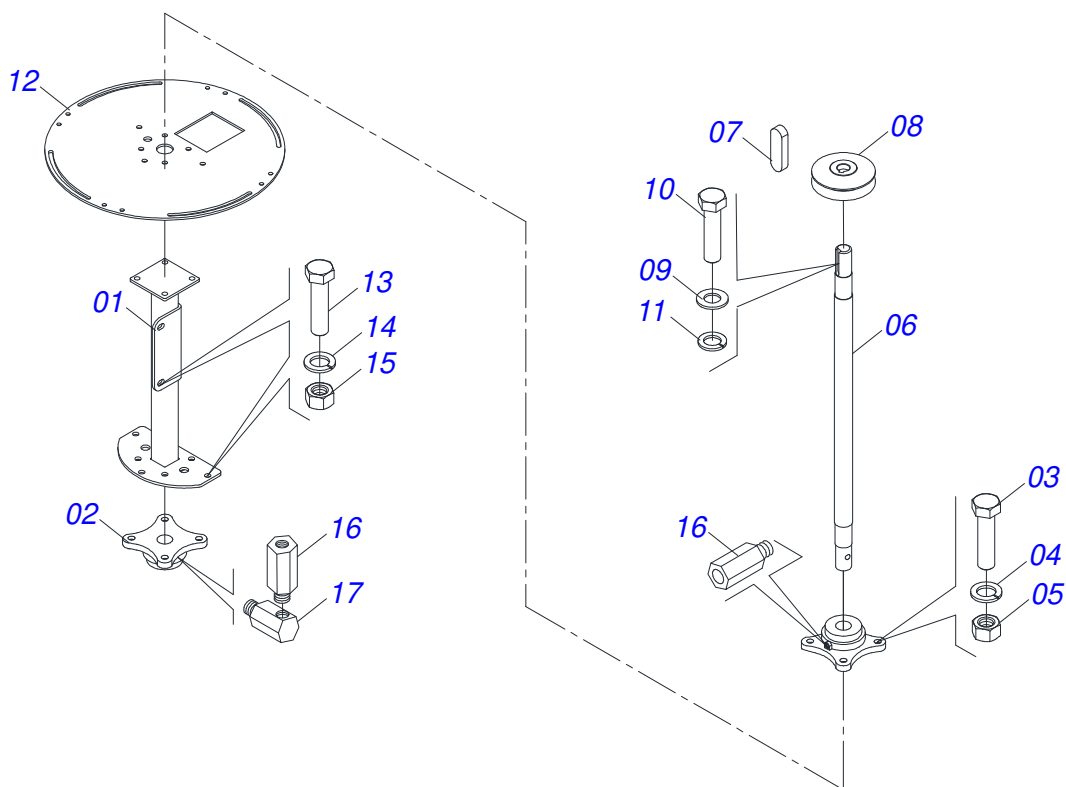
Item	Code	Description	See page	QT
01	0502011954	AGRICULTURAL HOUSING BEARING		01
02	0503011884	BALL BEARING		01
03	0503010691	1/4" GREASE FITTING		01



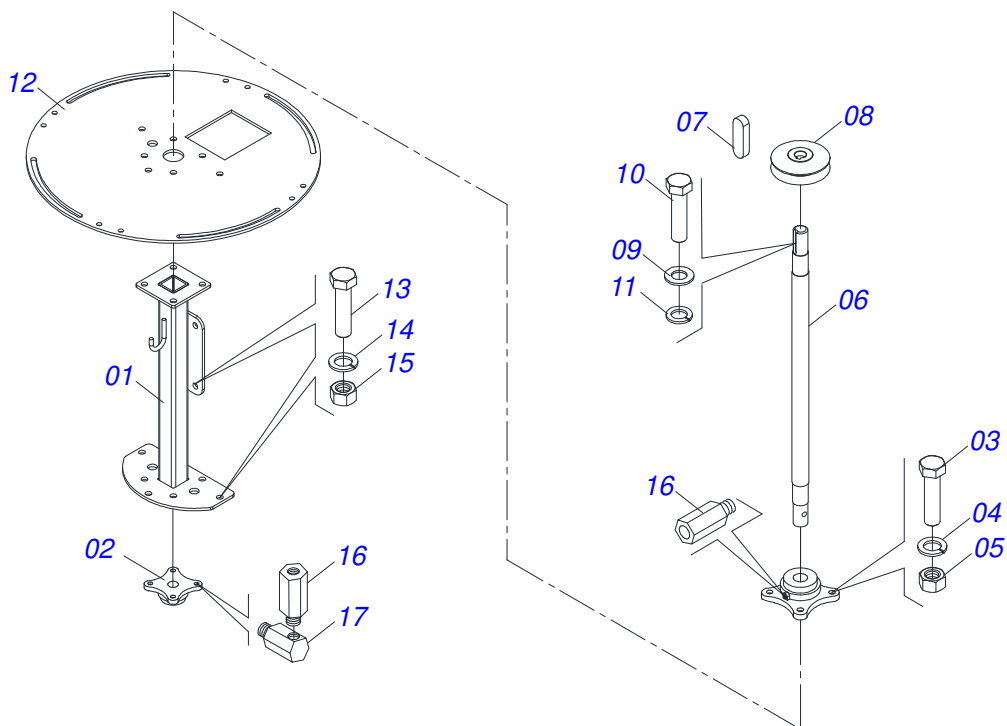
Item	Code	Description	See page	QT
01	0511062433	DISTRIBUTOR DISC		01
02	0521018637	LEFT FLIP		06
03	0503013029	3/8" X 3/4" BOLT		12
04	0503011443	3/8" SPRING WASHER		12
05	0503010026	3/8" NUT		12



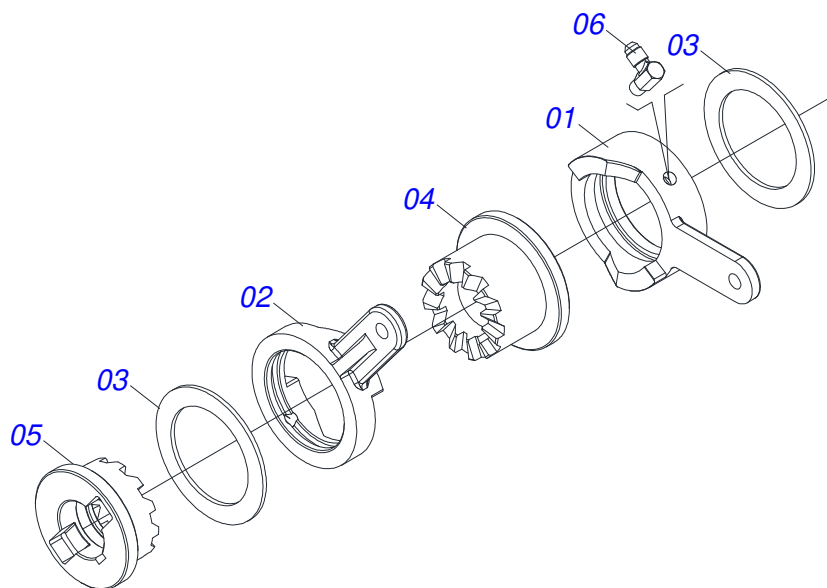
Item	Code	Description	See page	QT
01	0511062433	DISTRIBUTOR DISC		01
02	0521018638	LH FLIP		06
03	0503013029	3/8" X 3/4" BOLT		12
04	0503011443	3/8" SPRING WASHER		12
05	0503010026	3/8" NUT		12



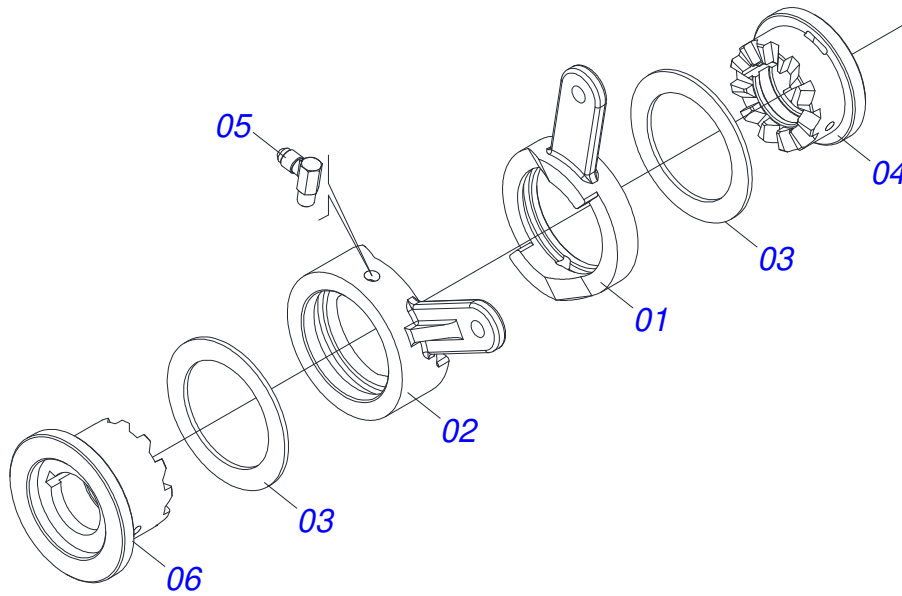
Item	Code	Description	See page	QT
01	0511066462	SUPPORT DISC DISTRIBUTOR RIGHT		01
02	0501048000	AGRICULTURAL BEARING		02
03	0503011102	BOLT 7/16 UNC X 1.1/4 C S G.5 ZN		08
04	0503011446	SPRING WASHER		08
05	0503010244	7/16" NUT		08
06	0531010187	DISTRIBUTOR AXLE CONDUCTOR DISC		01
07	0501010536	KEYWAY SQUARE		01
08	0502011361	REEL 1C 5.5" X 1.1" PULLEY		01
09	0511014052	FLAT WASHER		01
10	0503010355	7/16" X 1" BOLT		01
11	0503011446	SPRING WASHER		01
12	0541016208	SUPPORT BODY		01
13	0503010920	1/2 UNC X 1.1/2 C S G.5 ZN BOLT		02
14	0503010019	1/2" SPRING WASHER		03
15	0503010060	1/2 UNC G.5 ZN HEX NUT		03
16	0501019757	EXTENSION GREASE FITTING		01
17	0541016211	EXTENSION GREASE FITTING 1/8 BSP X 34		01



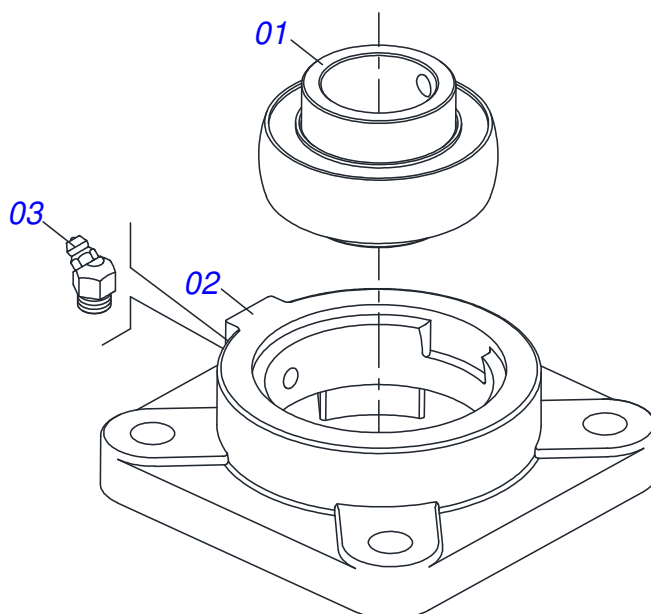
Item	Code	Description	See page	QT
01	0511066461	SUPPORT DISC DISTRIBUTOR LEFT		01
02	0501048000	AGRICULTURAL BEARING		02
03	0503011102	BOLT 7/16 UNC X 1.1/4 C S G.5 ZN		08
04	0503011446	SPRING WASHER		08
05	0503010244	7/16" NUT		08
06	0531010187	DISTRIBUTOR AXLE CONDUCTOR DISC		01
07	0501010536	KEYWAY SQUARE		01
08	0502011361	REEL 1C 5.5" X 1.1" PULLEY		01
09	0511014052	FLAT WASHER		01
10	0503010355	7/16" X 1" BOLT		01
11	0503011446	SPRING WASHER		01
12	0541016208	SUPPORT BODY		01
13	0503011102	BOLT 7/16 UNC X 1.1/4 C S G.5 ZN		02
14	0503011446	SPRING WASHER		03
15	0503010244	7/16" NUT		03
16	0501019757	EXTENSION GREASE FITTING		01
17	0541016211	EXTENSION GREASE FITTING 1/8 BSP X 34		01



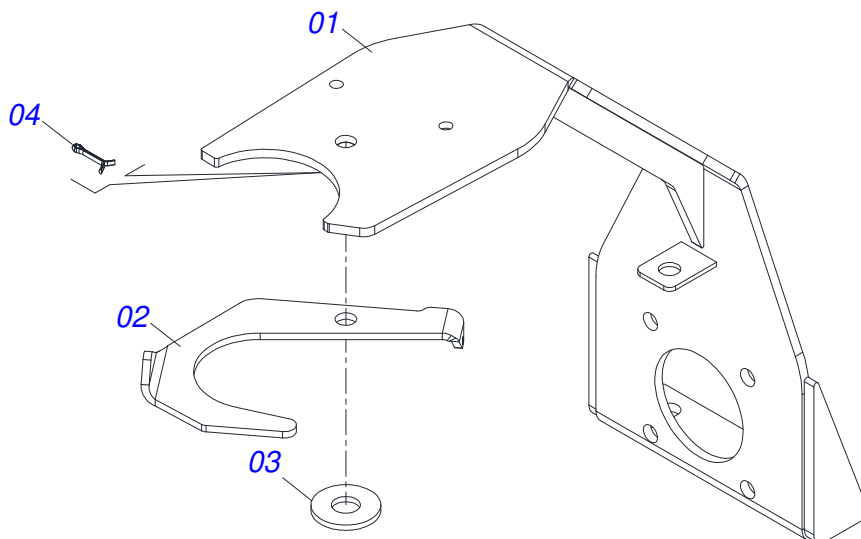
Item	Code	Description	See page	QT
01	0502011962	LEFT CAM,LARGER		01
02	0502011964	LEFT CAM, SMALLER		01
03	0501019734	FLAT WASHER		02
04	0502011917	RIGHT RATCHET LARGER		01
05	0502011916	SMALLE RIGHT RATCHET		01
06	0503012777	90G ELBOW		02



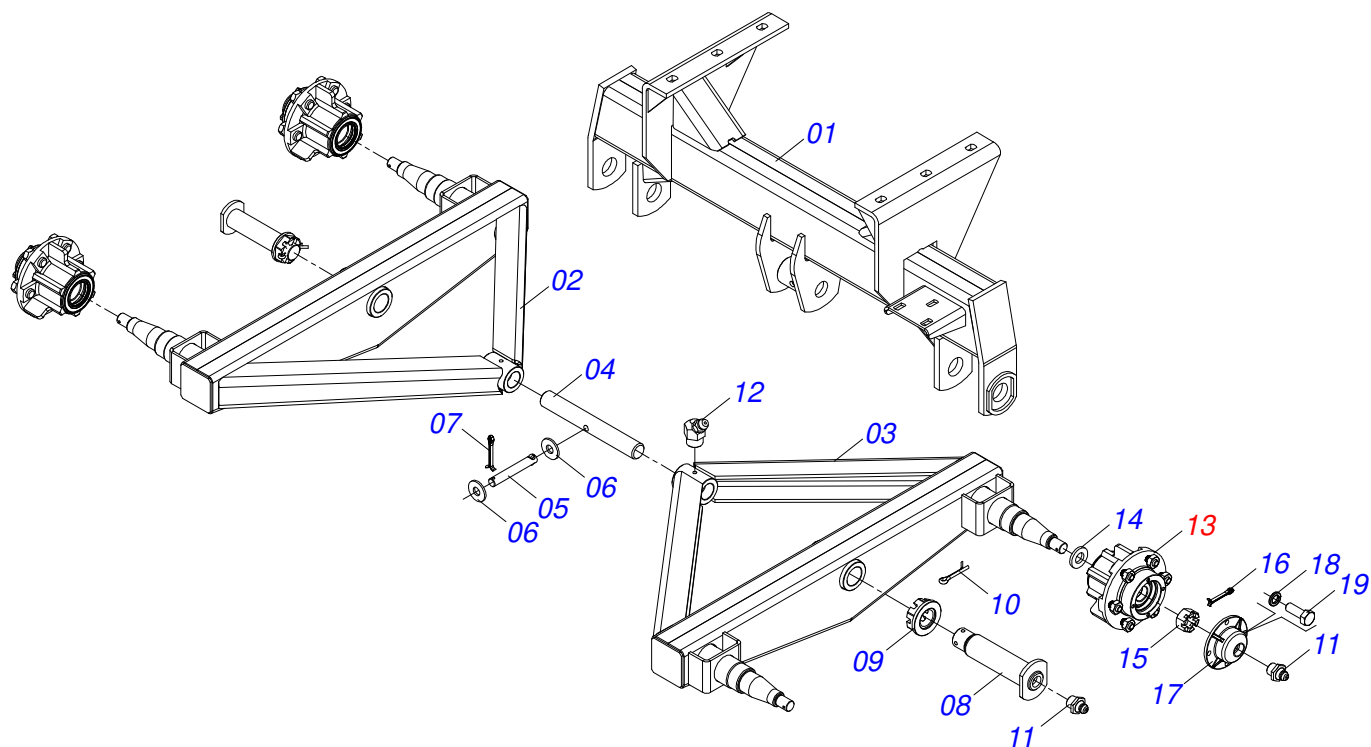
Item	Code	Description	See page	QT
01	0502011963	RIGHT CAM,SMALLER		01
02	0502011961	RIGHT CAM,LARGER		01
03	0501019734	FLAT WASHER		02
04	0502011955	SMALLE LEFT RATCHET		01
05	0503012777	90G ELBOW		02
06	0502011956	LARGER LEFT RATCHET		01



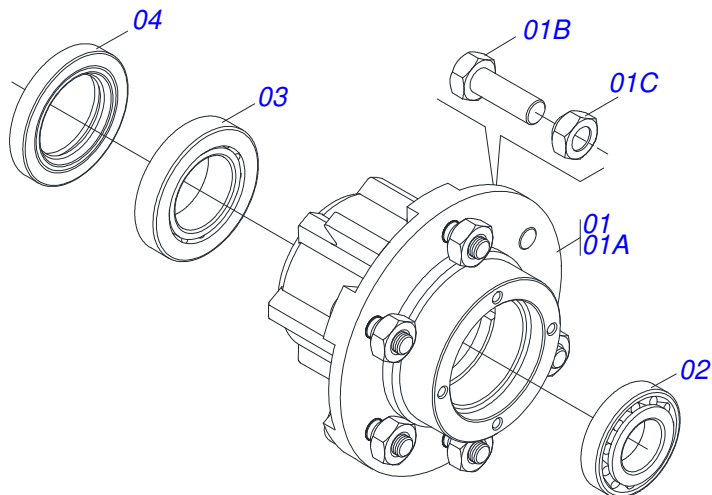
Item	Code	Description	See page	QT
01	0503011162	BALL BEARING		01
02	0503011146	HOUSING BEARING		01
03	0503011099	GREASE FITTING		01



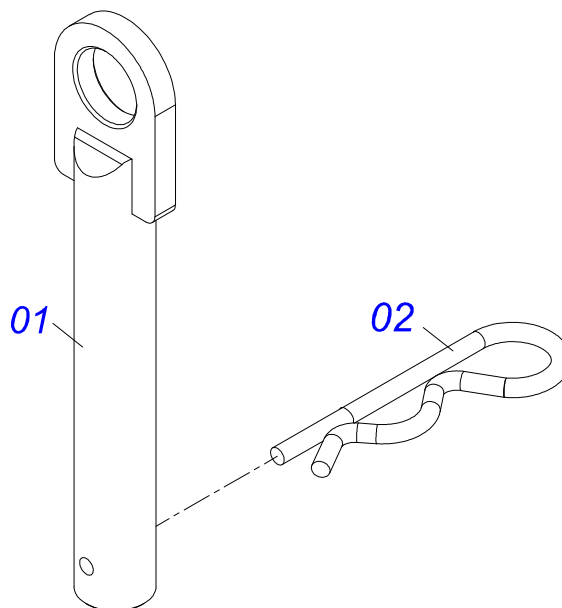
Item	Code	Description	See page	QT
01	0521068817	SUPPORT SUSTENANCE CARDAN		01
02	0511014066	CARDAN SMALLE SUPPORT		01
03	0511017302	FLAT WASHER 13,50 X 32,50 X 3,0 ZN		01
04	0503010257	1/8" X 1" COTTERPIN		01



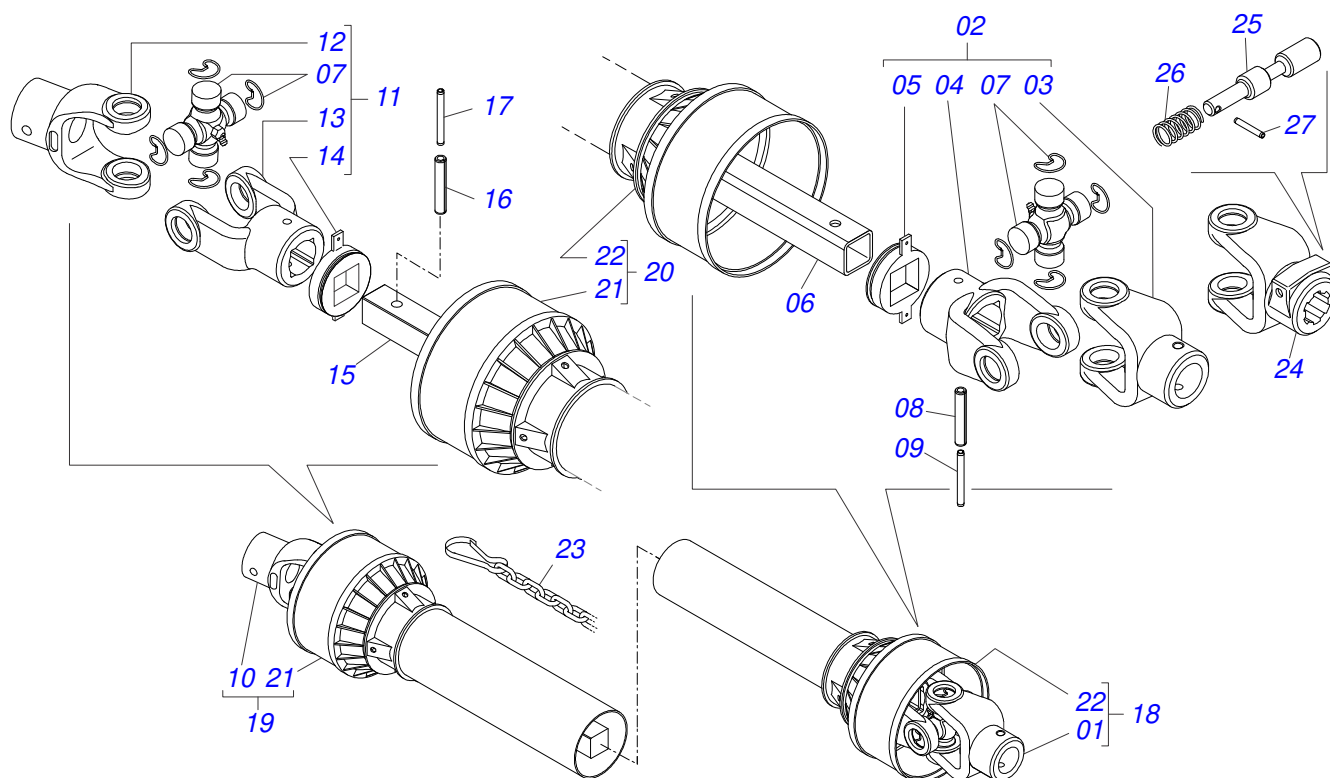
Item	Code	Description	See page	QT
01	0521063773	BALANCING FIXATION SUPPORT		01
02	0501069577	RIGHT ROCKER ARM		01
03	0501069578	LEFT BELL CRANCK		01
04	0521012427	1.5" X 11.4" COUPLING SHAFT		01
05	0521010553	0.5" X 3" COUPLING SHAFT		01
06	0511017302	FLAT WASHER 13,50 X 32,50 X 3,0 ZN		02
07	0503010577	3/16" X 1-1/4" COTTERPIN		01
08	0521012431	1-1/2" 7.6 PIVOT SHAFT		02
09	0501011301	1.1/2 UNC 6FPP 2.5/16 NUT		02
10	0503010010	1/4" X 2.1/2" COTTERPIN		02
11	0503010002	1800 GREASE FITTING		06
12	0503010003	1845 GREASE FITTING		02
13	0501051142	CARRYING WHEEL HUB	16	04
14	0501016545	FLAT WASHER		04
15	0503030009	1" CASTLE NUT		04
16	0503010131	3/16" X 1-1/2" COTTERPIN		04
17	0502020591	PROTECCION COVER		04
18	0503011444	SPRING WASHER		16
19	0503010358	5/16" X 5/8" BOLT		16



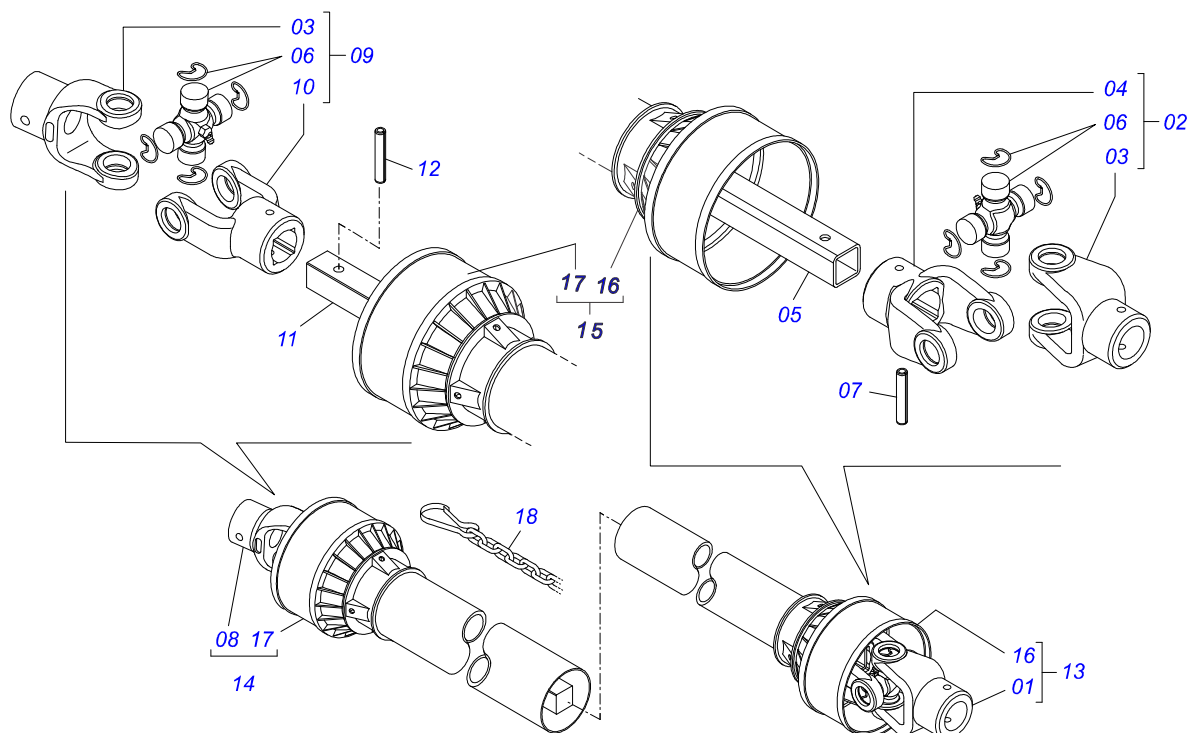
Item	Code	Description	See page	QT
01	0501110728	WHEEL HUB		01
01A	0502011121	CARRYING WHEEL HUB		01
01B	0501010127	9/16" X 1-7/8" LUG BOLT		06
01C	0503010035	9/16" CONIC NUT		06
02	0503010037	30207 ROLLER BEARING		01
03	0503010006	32210 ROLLER BEARING		01
04	0503012928	SEAL		01



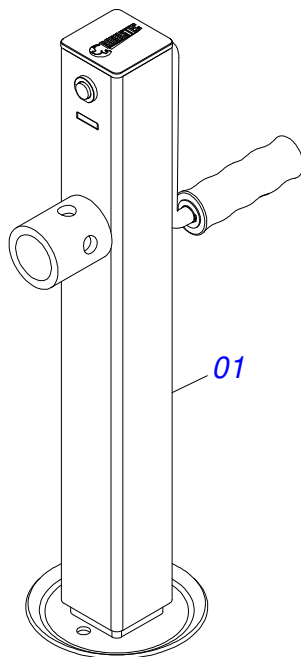
Item	Code	Description	See page	QT
01	0501068989	COUPLING SHAFT		01
03	0503031035	HITCH PIN CLIP		01



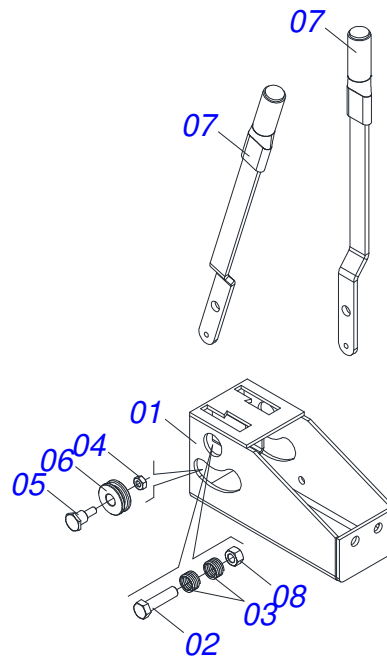
Item	Code	Description	See page	QT
01	0501052176	SLEEVE UNIVERSAL JOINT	01	01
02	0501050265	UNIVERSAL JOINT	01	01
03	0501050333	1-40 TERMINAL WITH HITCH	01	01
04	0502010565	2-40 TERMINAL WITH SH 1.5"/1.5"	01	01
05	0503012069	ADAPTER FOR BUSHING PROTECT	01	01
06	0521013800	16" X 1.4" SQUARE SLEEVE	01	01
07	0503010836	CARDAN CROSSPIECE	02	01
08	0503011069	0.4" X 2.8" SPRING PIN	01	01
09	0503010510	0.2" X 2.6" SPRING PIN	01	01
10	0501052177	AXLE UNIVERSAL JOINT	01	01
11	0501052178	UNIVERSAL JOINT	01	01
12	0502011611	9-40 TERMINAL	01	01
13	0502010566	3-40 TERMINAL WITH SH 1.2"/1.2"	01	01
14	0503012070	ADAPTER FOR AXLE PROTECTION	01	01
15	0521013801	1.2" X 15.7" SQUARE SHAFT	01	01
16	0503010361	SPRING PIN	01	01
17	0503010756	0.2" X 2.4" SPRING PIN	01	01
18	0501052179	PROT/SLEEVE UNIVERSAL JOINT	01	01
19	0501052180	PROT/AXLE UNIVERSAL JOINT	01	01
20	0503012277	PROTECTION ASSY	01	01
21	0503012279	PROTECTION FOR UNIV JOINT AND AXLE	01	01
22	0503012278	PROTECTION FOR UNIV JOINT SLEEVE	01	01
23	0503012023	CHAIN FOR PROTECTION	02	01
24	0502010563	1-40 STRIATED 1.3/8" TERMINAL	01	01
25	0521010638	13,70 X 78 HITCH PIN	01	01
26	0503030518	0.5"X1.0"X 0.1" COMPRESSION SPRING	01	01
27	0503010838	0.1" X 0.8" SPRING PIN	01	01



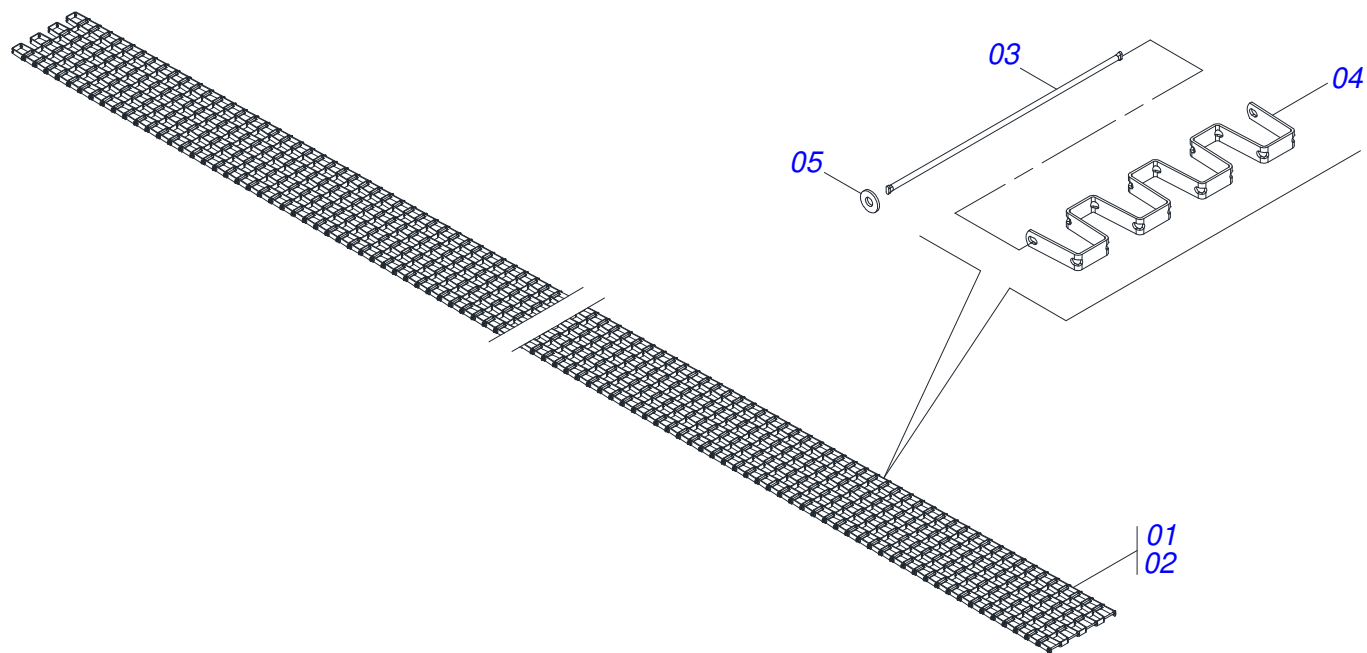
Item	Code	Description	See page	QT
01	0501052166	SLEEVE UNIVERSAL JOINT		01
02	0501051718	UNIVERSAL JOINT		01
03	0502010558	4-20 TERMINAL WITH ROLES		02
04	0502011426	2-20 TERMINAL		01
05	0521013798	0.9" X 35" SQUARE SLEEVE		01
06	0503010835	CARDAN CROSSPICE		02
07	0503010839	03"X 0.6" SPRING PIN		01
08	0501052167	AXLE UNIVERSAL JOINT		01
09	0501051720	UNIVERSAL JOINT		01
10	0502011427	3-20 TERMINAL		01
11	0521013795	0.9" X 35" SQUARE SHAFT		01
12	0503010301	0.3" X 1.8" SPRING PIN		01
13	0501052168	PROT/SLEEVE UNIVERSAL JOINT		01
14	0501052169	PROT/AXLE UNIVERSAL JOINT		01
15	0503012271	PROTECTION ASSY		01
16	0503012272	PROTECTION FOR UNIV JOINT SLEEVE		01
17	0503012273	PROTECTION FOR UNIV JOINT AND AXLE		01
18	0503012023	CHAIN FOR PROTECTION		02



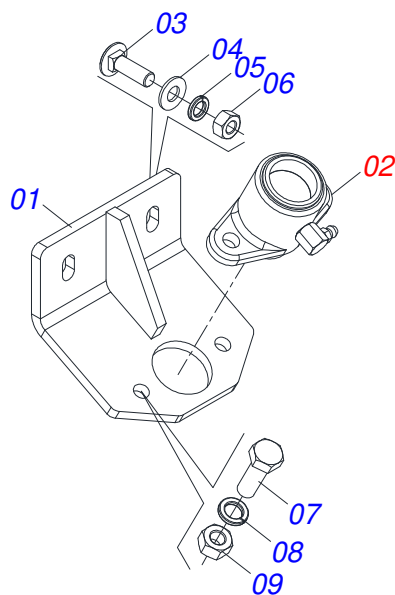
Item	Code	Description	See page	QT
01	0503062157	DRAWBAR JACK	20	01



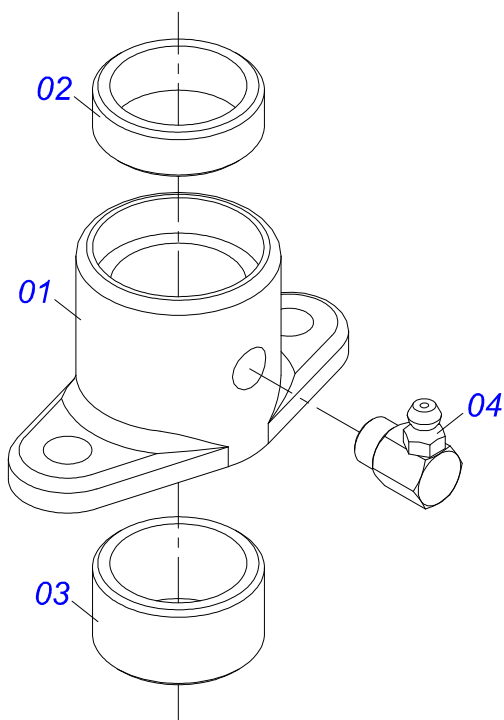
Item	Code	Description	See page	QT
01	0511062435	STEEL BOX LEVER CABLE		01
02	0503010547	1/2" X 4" BOLT		01
03	0503031719	0.7" X 1" X 1,1" COMPRESSION SPRING		02
04	0503013814	1/4" NC LOCKNUT		02
05	0581018035	AXLE PULLEY		02
06	0581018034	REEL		02
07	0531061430	LEVER		02
08	0503011336	1/2" HEX SELF ADJUSTING NUT		01



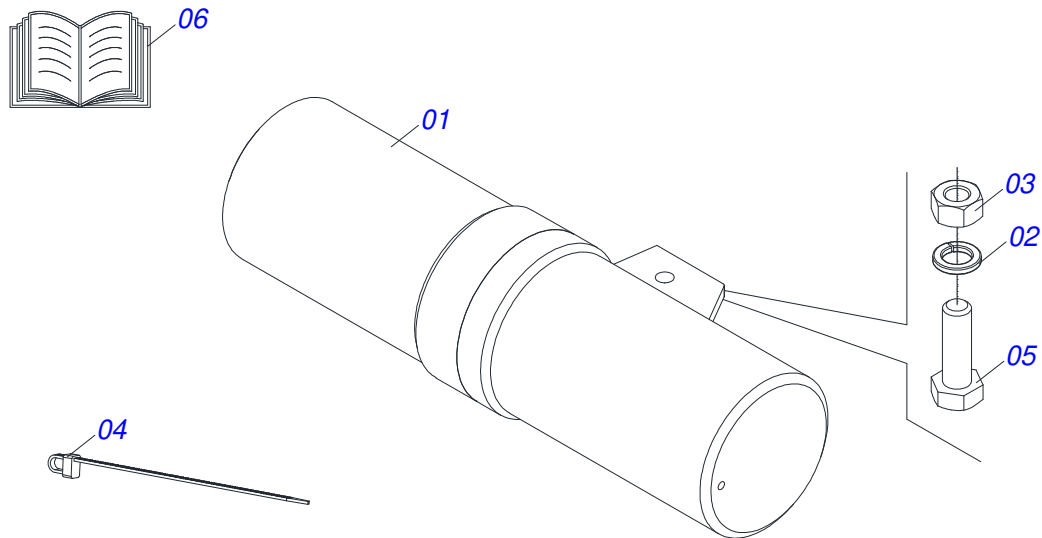
Item	Code	Description	See page	QT
01	0501059973	DRIVE ESTABILIZER		06
02	0501059975	DRIVE ESTABILIZER		01
03	0561016465	UNION AXIS		63
04	0561016506	TRANSPORT BODY RUNNING MACHINE		63
05	0503015148	WASHER		126



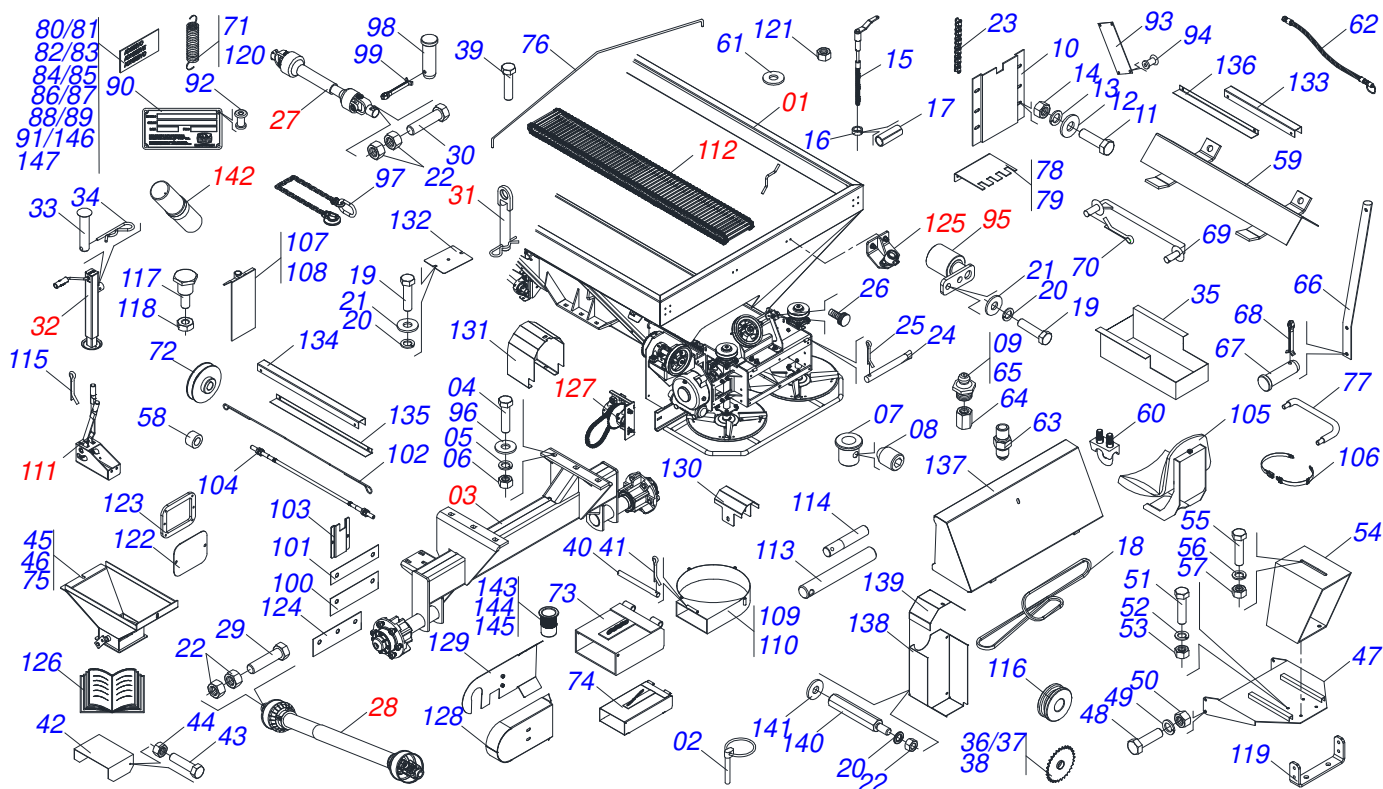
Item	Code	Description	See page	QT
01	0511066452	SLUICE VALVE FIXER BEARING		01
02	0511059094	SHAFT BEARING THREADED	24	01
03	0503030796	5/16" X 1" BOLT		02
04	0501010694	FLAT WASHER		02
05	0503010179	LOCK WASHER 5/16 ZN 1K01528		02
06	0503010337	5/16" NUT		02
07	0503010371	5/16" X 1" BOLT		02
08	0503011444	SPRING WASHER		02
09	0503010337	5/16" NUT		02



Item	Code	Description	See page	QT
01	0502010581	ROD BEARING		01
02	0521010458	SLEEVE		01
03	0521010457	SLEEVE		01
04	0503010004	1890 GREASE FITTING		01



Item	Code	Description	See page	QT
01	0503060100	INSTRUCTIONS MANUAL CANISTER		01
02	0503010179	LOCK WASHER 5/16 ZN 1K01528		01
03	0503010337	5/16" NUT		01
04	0503010267	NYLON CLAMP		01
05	0503010363	BOLT 5/16 UNC X 1 C S G.2 ZN		01
06	0501090640	INSTRUCTION MANUAL		01

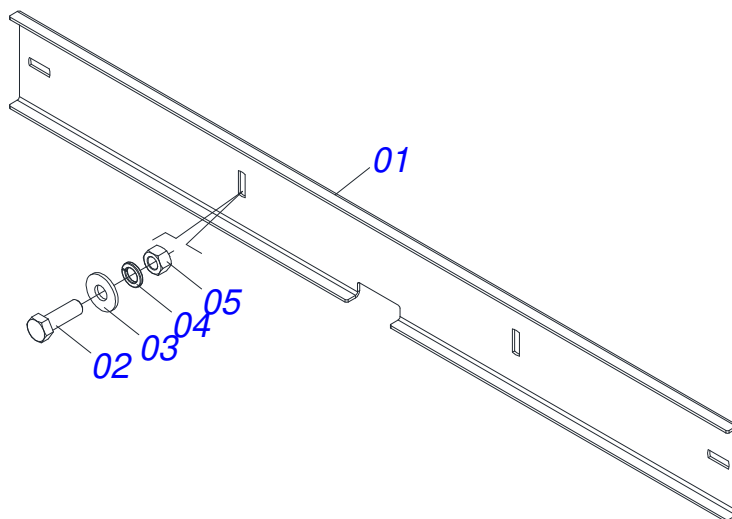


Item	Code	Description	See page	QT
001	0501056186	BUCKET	3	01
002	0503030085	LOCK PIN		12
003	0521046046	FIXING STAND ASSY	15	01
004	0503010899	5/8 UNC X 2.1/4 BOLT		06
005	0503010027	5/8 SPRING WASHER		06
006	0503010013	5/8 NUT		06
007	0541016204	ADJUSTMENT NUT DCA-DC		02
008	0503011148	3/8" X 1/2" BOLT		02
009	0503010002	1800 GREASE FITTING		04
010	0531017187	SLUICE VALVE GUIDE		02
011	0503011953	5/16" X 1" BOLT		22
012	0501010694	FLAT WASHER		22
013	0503010179	LOCK WASHER 5/16 ZN 1K01528		22
014	0503010337	5/16" NUT		22
015	0511066489	REGULATOR SPINDLE		02
016	0511013015	SLEEVE		02
017	0503010561	SPRING PIN		02
018	0503010154	C-128 BELT		01
019	0503010237	3/8" X 1" BOLT		19
020	0503010025	3/8 SPRING WASHER		47
021	0501010984	10,50 X 27 X 3,00 FLAT WASHER		43
022	0503010026	3/8" NUT		33
023	0503013002	50-1 CHAIN X 81 LINK + MENDING + REDUCTION		01
024	0501017574	0.3" X 2.7" AXLE		02
025	0503010140	1/8" X 3/4" COTTERPIN		02
026	0503010386	CABLE		01
027	0501048241	DRIVE SHAFT	18	01
028	0501048783	DRIVE SHAFT	19	01
029	0503011268	3/8" X 2-1/2" BOLT		02
030	0503010765	3/8" X 3" BOLT		01
031	0501047881	AXIS JOINT ASSY	17	01

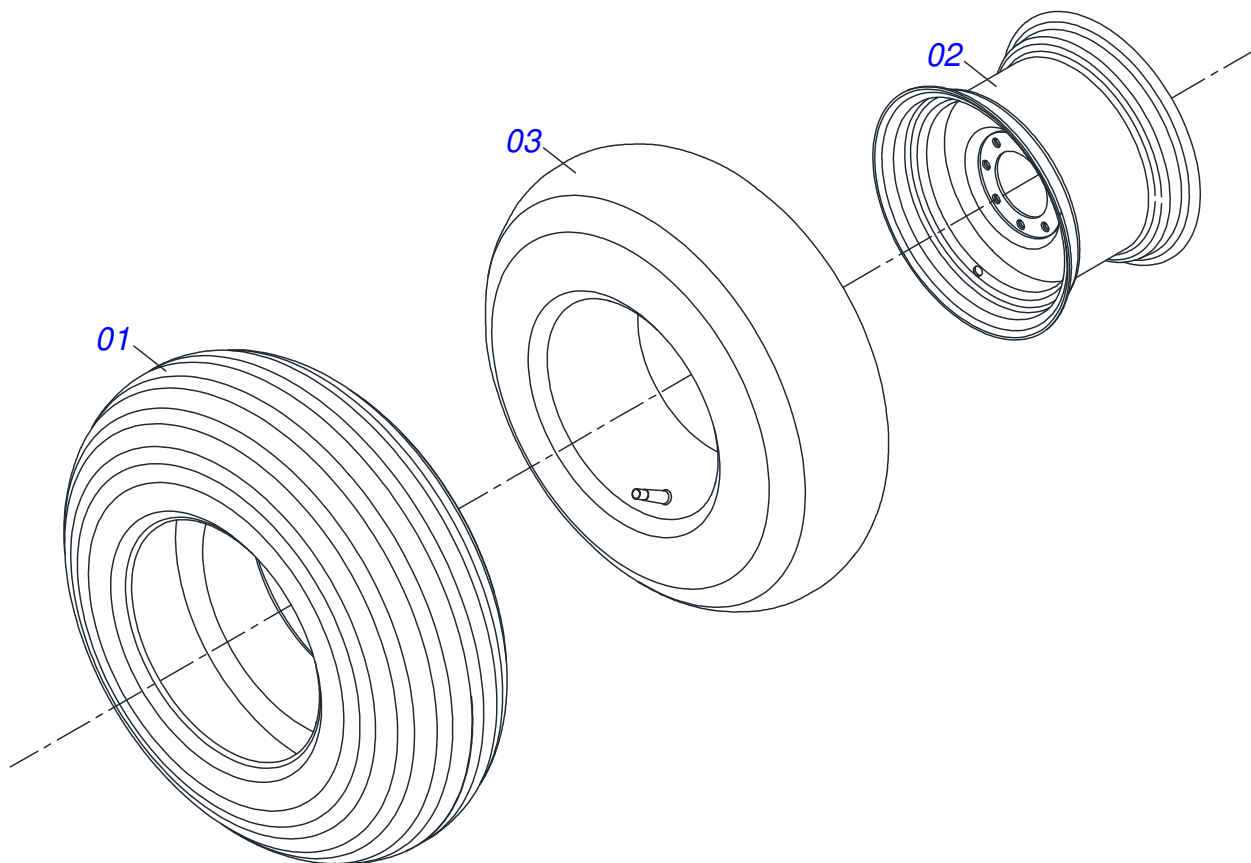


Item	Code	Description	See page	QT
032	0503062157	DRAWBAR JACK	20	01
033	0521010549	COUPLING SHAFT		01
034	0503030168	HITCH PIN CLIP		01
035	0511062421	COLLECCION BOX		01
036	0511062448	26Z P0.6" GEAR		02
037	0501069020	35Z GEAR		02
038	0511062449	40Z P0.7" GEAR		01
039	0503010751	C3/8" X 1.1/4" HEX BOLT G.5		04
040	0531010081	0.6" X 10.8" AXLE		02
041	0503010257	1/8" X 1" COTTERPIN		04
042	0541016214	BODY ADJUSTMENT HEIGHT		02
043	0503013813	1/4" UNC X 7/8" BOLT		04
044	0503010144	1/4" NUT		08
045	0511066455	RIGHT SOCKET		01
046	0511066456	LEFT SOCKET		01
047	0511066451	SEAT BASE		01
048	0503010355	7/16" X 1" BOLT		04
049	0503010180	7/16" SPRING WASHER		04
050	0503010244	7/16" NUT		04
051	0503010395	1/2" X 1-1/4" BOLT		08
052	0503010019	1/2" SPRING WASHER		08
053	0503010060	1/2 UNC G.5 ZN HEX NUT		08
054	0511062438	SEAT SUPPORT		01
055	0501011600	1/2" X 1-1/4" BOLT		02
056	0503010019	1/2" SPRING WASHER		02
057	0503012682	1/2" BSW NUT		02
058	0541015142	SLEVE GUIDE		02
059	0511066488	DEFLECTOR		06
060	0503010431	1/8" CABLO STEEL STAPLE		08
061	0501010984	10,50 X 27 X 3,00 FLAT WASHER		06
062	0501081198	1/4 X 390 HOSE		04
063	0503012776	1/8" NF NIPPLE		04
064	0531013919	GREASE FITTING FIXER		04
065	0503010002	1800 GREASE FITTING		04
066	0541016207	LEVER BODY		02
067	0531010630	0.5" X 1.4" COUPLING SHAFT		02
068	0503010300	5/32" X 1" COTTERPIN		02
069	0511062436	INTER ARM/DISARMENT		02
070	0503010257	1/8" X 1" COTTERPIN		04
071	0503030198	0.6" X 2.4" X 0.1" EXTENSION SPRING		02
072	0502011953	3.7 X 1.1 REEL		01
073	0511066448	BICA DRIVERS		02
074	0511067201	BICA LONG DRIVERS		02
075	0511066615	DIRECT SOCKET		02
076	0541017506	SUPPORT CANVAS ARCH		04
077	0541016206	ASSEMBLE AND DISASSEMBLE RATCHET		02
078	0541016209	RH TOOTH COVER		01
079	0541016210	LH TOOTH COVER		01
080	0503060818	ASSY STICKER		01
081	0503031652	ADHESIVE LABEL		01
082	0503031688	ADHESIVE LABEL		01
083	0503031818	ADHESIVE LABEL		01
084	0503031859	ADHESIVE LABEL DANGER		02
085	0503031827	LUBRICATE AND RETIGHTEN DAILY DECAL		01
086	0503031428	READ MANUAL DECAL		01
087	0503031087	ADHESIVE LABEL		01
088	0503031809	ADHESIVE LABEL		01
089	0503032425	ADHESIVE LABEL ATTENTION		01
090	0503034003	SERIAL NUMBER TAG 61 X 118		01

Item	Code	Description	See page	QT
091	0503032949	ADHESIVE LABEL		01
092	0503010001	3.2 X 5.5 RIVET		04
093	0503030751	REGULATOR PLATE		01
094	0503012209	RIVET POP		04
095	0501050829	CHAIN TENSIONER		01
096	0501012140	FLAT WASHER		12
097	0503013150	1300 X 3/8 CHAIN		01
098	0581011220	COUPLING SHAFT		01
099	0503010131	3/16" X 1-1/2" COTTERPIN		01
100	0531010059	7.1" X 3.3" X 0.1" PROTECTION		02
101	0531010273	RUBBER SUPPORT FIXER COVER		02
102	0531010467	1/8" X 255" STEEL CABLE		02
103	0531017384	RATCHET PROTECTION		01
104	0503012779	STEEL CONDUCTOR CABLO 1/8"		02
105	0503031651	AMORT SEAT ASSY		01
106	0503032137	SAFETY BELT		01
107	0511066458	LH SLUICE VALVE COVER		01
108	0511066457	RH SLUICE VALVE COVER		01
109	0511066450	LEFT CONTROLLER		01
110	0511066449	RIGHT CONTROLLER		01
111	0501053157	LEVER BOX CABLE STEEL	21	01
112	0511048567	STAINLESS STEEL TRANSPORT	22	02
113	0581016925	PRISONER		02
114	0581018030	DISASSEMBRE AXLE		02
115	0503010140	1/8" X 3/4" COTTERPIN		02
116	0581018034	REEL		02
117	0581018035	AXLE PULLEY		02
118	0503013814	1/4" NC LOCKNUT		02
119	0581018047	STRETCHER SPINDLE FIXER		01
120	0503030093	TRACTION SPRING		02
121	0503010060	1/2 UNC G.5 ZN HEX NUT		04
122	0581018031	REAR PROTECTION		02
123	0581018033	REAR PROTECTION FIXER SUPPORT		02
124	0503034731	SCRAPER		02
125	0521053728	FIXER BEARING	23	02
126	0511033359	BAG WITH CATALOG		01
127	0501056429	SET SUPER REDUCTION		01
128	0581017500	REAR LATERAL PROTECTION BELT		01
129	0521068820	REAR LATERAL PROTECTION BELT		01
130	0591016133	COVER PROTECTION AXLE		01
131	0581017468	PROTECTION BODY		01
132	0581017488	LOWER PROTECTION BOARD CARDAN		01
133	0521068815	LESSER PROTECTION AXIS 555		01
134	0521068814	AXLE PROTECTION 1350		01
135	0581017485	PROTECTION SHAFT COVER 1350		01
136	0581017486	COVER LOWER PROTECTION AXIS 555		01
137	0501069840	REAR COVER PROTECTION		01
138	0591011524	PROTECTION COVER		01
139	0591011525	UPPER COVER		01
140	0521012365	HEX PRISONER		03
141	0501013518	FLAT WASHER		04
142	0531050025	ASSY MANUAL DOOR	25	01
143	0503019416	RIVET SCREW THREAD INTERNAL		09
144	0503019729	THREAD SCREW INTERNAL		08
145	0503019413	THREAD SCREW INTERNAL		04
146	0503031427	ADHESIVE LABEL		01
147	0503036144	MAXIMUM SPEED ADHESIVE LABEL		01



Item	Code	Description	See page	QT
01	0501019838	BAMPER		01
02	0503010920	1/2 UNC X 1.1/2 C S G.5 ZN BOLT		02
03	0511017302	FLAT WASHER 13,50 X 32,50 X 3,0 ZN		02
04	0503010019	1/2" SPRING WASHER		02
05	0503010060	1/2 UNC G.5 ZN HEX NUT		02



Item	Code	Description	See page	QT
01	0503010858	CANVAS TIRE		01
02	0503011468	WEEL		01
03	0503010860	AIR CHAMBER 11L 15		01



MARCHESAN

Technical Publications | Elaboration and Revision

LORENA ROCHA ALVES

www.marchesan.com.br

