

CHASER BIN

DCA DC 5500

Code: 0501093169
Series: S-0205
Revision: 01
Date Revision: FEVEREIRO/2023

PARTS CATALOGUE



MARCHESAN



PRODUCTS

Code	Description
0109090084	DCA DC 5500 S/OPCIONAIS S-0205
0109090068	DCA DC 5500 COMPLETO S-0205
0109090079	DCA DC 5500 COMPLETO PN11L15 S-0205

ATTENTION: IMPORTANT

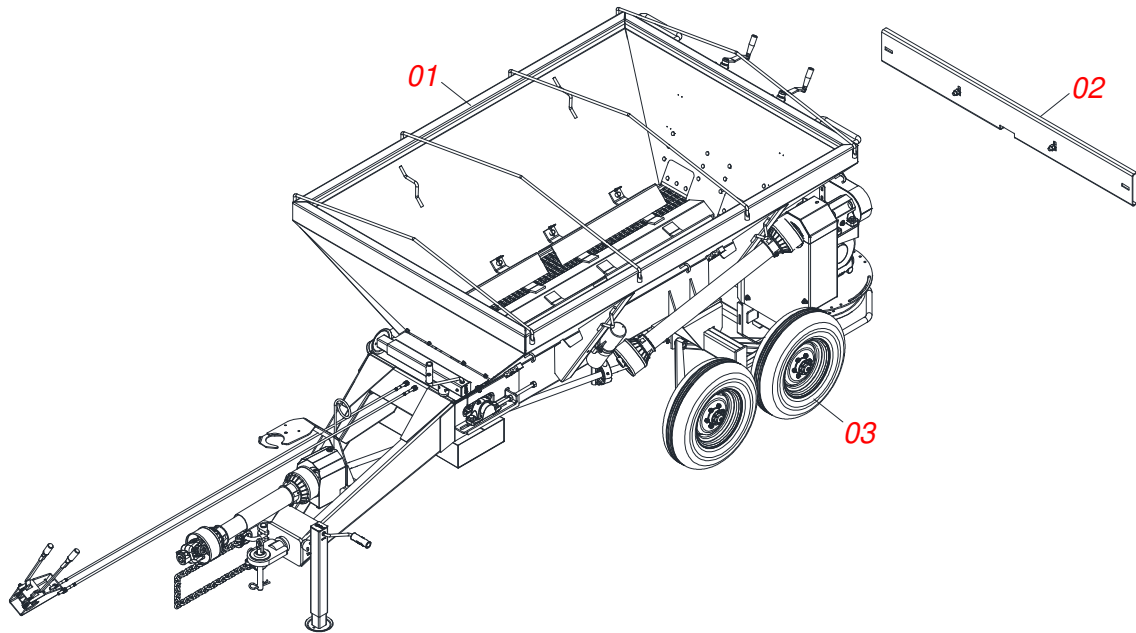
Marchesan S.A. reserves the right to improve and/or modify the technical features of its products, without obligation to do the same with those products already sold and without prior knowledge of the dealer or the customer. The photos are only illustrative.



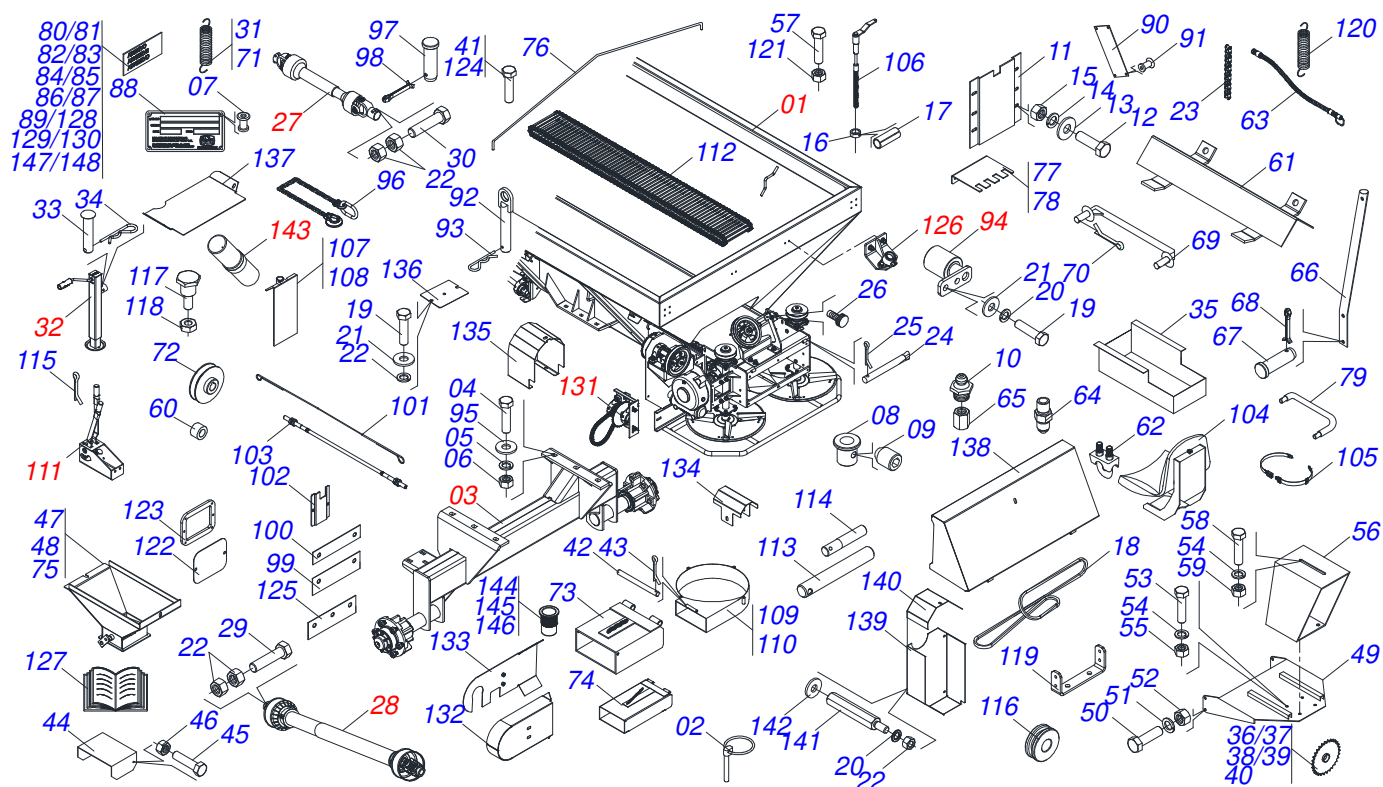
MARCHESAN

INDEX

0909096098	ASSY FRAME	1
0511043597	ASSY FRAME	2
0501056181	BUCKET	3
0501047985	REDUCER	4
0501051774	38Z CROWN	5
0511041213	AGRICULTURAL BEARING	6
0501046802	BELT TENSIONER ASSY	7
0501044308	AGRICULTURAL BEARING ASSY	8
0501053159	DISTRIBUTOR RIGHT DISC ASSY	9
0501053160	DISTRIBUTOR LEFT DISC ASSY	10
0501056183	RIGHT BEARING SUPPORT DISC	11
0501056184	LEFT BEARING SUPPORT DISC	12
0501053163	MAT VALVE RIGHT ASSY	13
0501053164	MAT VALVE LEFT ASSY	14
0501044306	BATH BEARING	15
0521053161	CARDAN SUPPORT WITHOUT SPRING	16
0521046045	FIXING STAND ASSY	17
0501048241	DRIVE SHAFT	18
0501048783	DRIVE SHAFT	19
0503062157	DRAWBAR JACK	20
0501050829	CHAIN TENSIONER	21
0501053157	LEVER BOX CABLE STEEL	22
0521053728	FIXER BEARING	23
0511059094	SHAFT BEARING THREADED	24
0501056429	SET SUPER REDUCTION	25
0531050025	ASSY MANUAL DOOR	26
0511044474	FRAME ASSY	27
0531050027	BAMPER	28
0503060206	29.5"X0.6"- 10L WHEEL AND TIRE ASSY	29
0503060181	WHEEL AND TIRE	30



Item	Code	Description	See page	QT
01	0511043597	ASSY FRAME	2	01
01.	0511044474	FRAME ASSY	27	01
02	0531050027	BAMPER	28	01
03	0503060206	29.5"X0.6"- 10L WHEEL AND TIRE ASSY	29	04
03.	0503060181	WHEEL AND TIRE	30	04



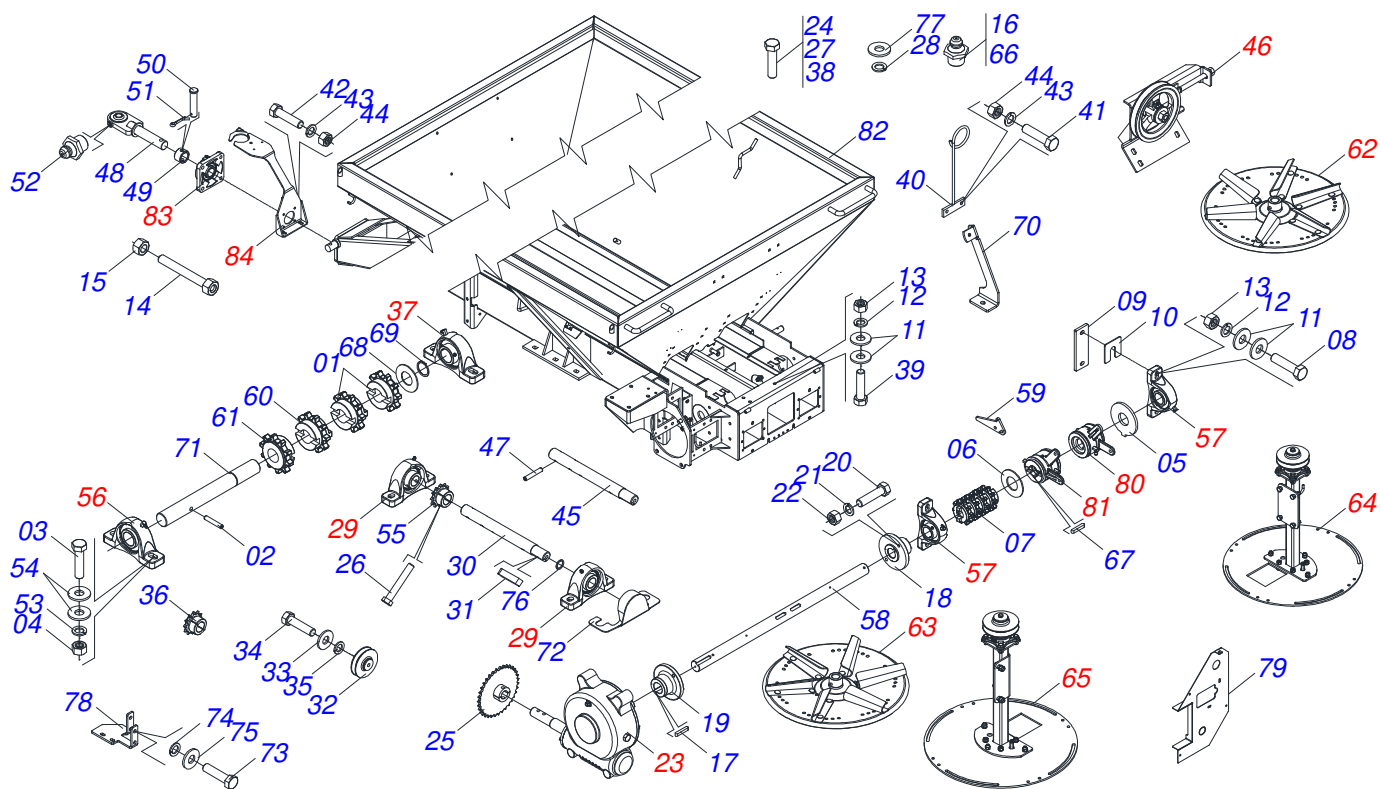
Item	Code	Description	See page	QT
001	0501056181	BUCKET	3	01
002	0503030085	LOCK PIN		12
003	0521046045	FIXING STAND ASSY	17	01
004	0503010899	5/8 UNC X 2.1/4" BOLT		06
005	0503010027	5/8 SPRING WASHER		06
006	0503010013	5/8 NUT		06
007	0503010001	3.2 X 5.5 RIVET		04
008	0541016204	ADJUSTMENT NUT DCA-DC		02
009	0503011148	3/8" X 1/2" BOLT		02
010	0503010002	1800 GREASE FITTING		08
011	0531017187	SLUICE VALVE GUIDE		02
012	0503011953	5/16" X 1" BOLT		22
013	0501010694	FLAT WASHER		22
014	0503010179	LOCK WASHER 5/16 ZN 1K01528		22
015	0503010337	5/16" NUT		22
016	0511013015	SLEEVE		02
017	0503010561	SPRING PIN		02
018	0503010154	C-128 BELT		01
019	0503010237	3/8" X 1" BOLT		19
020	0503010025	3/8 SPRING WASHER		40
021	0501010984	10,50 X 27 X 3,00 FLAT WASHER		35
022	0503010026	3/8" NUT		35
023	0503013002	50-1 CHAIN X 81 LINK + MENDING + REDUCTION		01
024	0501017574	0.3" X 2.7" AXLE		02
025	0503010140	1/8" X 3/4" COTTERPIN		02
026	0503010386	CABLE		01
027	0501048241	DRIVE SHAFT	18	01
028	0501048783	DRIVE SHAFT	19	01
029	0503011268	3/8" X 2-1/2" BOLT		02
030	0503010765	3/8" X 3" BOLT		01
031	0503030198	0.6" X 2.4" X 0.1" EXTENSION SPRING		01



Item	Code	Description	See page	QT
032	0503062157	DRAWBAR JACK	20	01
033	0521010549	COUPLING SHAFT		01
034	0503030168	HITCH PIN CLIP		01
035	0511062421	COLLECCION BOX		01
036	0511062447	17Z P0.6" GEAR		01
037	0511062448	26Z P0.6" GEAR		02
038	0501069020	35Z GEAR		02
039	0511062449	40Z P0.7" GEAR		01
040	0511062450	47Z P0.6" GEAR		01
041	0503010751	C3/8" X 1.1/4" HEX BOLT G.5		04
042	0531010081	0.6" X 10.8" AXLE		02
043	0503010257	1/8" X 1" COTTERPIN		04
044	0541016214	BODY ADJUSTMENT HEIGHT		02
045	0503013813	1/4" UNC X 7/8" BOLT		04
046	0503010144	1/4" NUT		08
047	0511066455	RIGHT SOCKET		01
048	0511066456	LEFT SOCKET		01
049	0511066451	SEAT BASE		01
050	0503010355	7/16" X 1" BOLT		04
051	0503010180	7/16" SPRING WASHER		04
052	0503010244	7/16" NUT		04
053	0503010395	1/2" X 1-1/4" BOLT		04
054	0503010019	1/2" SPRING WASHER		10
055	0503010060	1/2 UNC G.5 ZN HEX NUT		08
056	0511062438	SEAT SUPPORT		01
057	0503010395	1/2" X 1-1/4" BOLT		04
058	0501011600	1/2" X 1-1/4" BOLT		02
059	0503012682	1/2" BSW NUT		02
060	0541015142	SLEVE GUIDE		02
061	0511066459	DEFLECTOR		04
062	0503010431	1/8" CABLO STEEL STAPLE		08
063	0501081198	1/4 X 390 HOSE		04
064	0503012776	1/8" NF NIPPLE		04
065	0531013919	GREASE FITTING FIXER		04
066	0541016207	LEVER BODY		02
067	0531010630	0.5" X 1.4" COUPLING SHAFT		02
068	0503010300	5/32" X 1" COTTERPIN		02
069	0511062436	INTER ARM/DISARMENT		02
070	0503010257	1/8" X 1" COTTERPIN		04
071	0503030198	0.6" X 2.4" X 0.1" EXTENSION SPRING		02
072	0502011953	3.7 X 1.1 REEL		01
073	0511066448	BICA DRIVERS		02
074	0511067201	BICA LONG DRIVERS		02
075	0511066615	DIRECT SOCKET		02
076	0531010057	GUARD BRACKET		04
077	0541016209	RH TOOTH COVER		01
078	0541016210	LH TOOTH COVER		01
079	0541016206	ASSEMBLE AND DISASSEMBLE RATCHET		02
080	0503031652	ADHESIVE LABEL		01
081	0503031859	ADHESIVE LABEL DANGER		02
082	0503031428	READ MANUAL DECAL		01
083	0503031827	LUBRICATE AND RETIGHTEN DAILY DECAL		01
084	0503031087	ADHESIVE LABEL		01
085	0503031688	ADHESIVE LABEL		01
086	0503031818	ADHESIVE LABEL		01
087	0503031809	ADHESIVE LABEL		01
088	0503034003	SERIAL NUMBER TAG 61 X 118		01
089	0503032949	ADHESIVE LABEL		01
090	0503030751	REGULATOR PLATE		01



Item	Code	Description	See page	QT
091	0503012209	RIVET POP		04
092	0501068989	COUPLING SHAFT		01
093	0503031035	HITCH PIN CLIP		01
094	0501050829	CHAIN TENSIONER	21	01
095	0501012140	FLAT WASHER		12
096	0503013150	1300 X 3/8 CHAIN		01
097	0581011220	COUPLING SHAFT		01
098	0503010131	3/16" X 1-1/2" COTTERPIN		01
099	0531010059	7.1" X 3.3" X 0.1" PROTECTION		02
100	0531010273	RUBBER SUPPORT FIXER COVER		02
101	0531010467	1/8" X 255" STEEL CABLE		02
102	0531017384	RATCHET PROTECTION		01
103	0503012779	STEEL CONDUCTOR CABLE 1/8"		02
104	0503031651	AMORT SEAT ASSY		01
105	0503032137	SAFETY BELT		01
106	0511066463	SLUICE VALVE JACK REGULATOR		02
107	0511066458	LH SLUICE VALVE COVER		01
108	0511066457	RH SLUICE VALVE COVER		01
109	0511066450	LEFT CONTROLLER		01
110	0511066449	RIGHT CONTROLLER		01
111	0501053157	LEVER BOX CABLE STEEL	22	01
112	0511048562	DRIVE ESTABILIZER DCA		02
113	0581016925	PRISONER		02
114	0581018030	DISASSEMBRE AXLE		02
115	0503010140	1/8" X 3/4" COTTERPIN		02
116	0581018034	REEL		02
117	0581018035	AXLE PULLEY		02
118	0503013814	1/4" NC LOCKNUT		02
119	0581018047	STRETCHER SPINDLE FIXER		01
120	0503030093	TRACTION SPRING		02
121	0503010060	1/2 UNC G.5 ZN HEX NUT		04
122	0581018031	REAR PROTECTION		02
123	0581018033	REAR PROTECTION FIXER SUPPORT		02
124	0503010256	3/8" X 3/4" BOLT		10
125	0503034731	SCRAPER		02
126	0521053728	FIXER BEARING	23	02
127	0511033355	BAG WITH CATALOG		01
128	0503034729	ADHESIVE LABEL		02
129	0503034727	ADHESIVE LABEL		02
130	0503034728	ADHESIVE LABEL		04
131	0501056429	SET SUPER REDUCTION	25	01
132	0581017500	REAR LATERAL PROTECTION BELT		01
133	0521068820	REAR LATERAL PROTECTION BELT		01
134	0591016133	COVER PROTECTION AXLE		01
135	0581017468	PROTECTION BODY		01
136	0581017488	LOWER PROTECTION BOARD CARDAN		01
137	0541018667	FRONT COVER		01
138	0501069840	REAR COVER PROTECTION		01
139	0591011524	PROTECTION COVER		01
140	0591011525	UPPER COVER		01
141	0521012365	HEX PRISONER		03
142	0501013518	FLAT WASHER		04
143	0531050025	ASSY MANUAL DOOR	26	01
144	0503019416	RIVET SCREW THREAD INTERNAL		07
145	0503019729	THREAD SCREW INTERNAL		04
146	0503019413	THREAD SCREW INTERNAL		04
147	0503031427	ADHESIVE LABEL		01
148	0503036144	MAXIMUM SPEED ADHESIVE LABEL		01



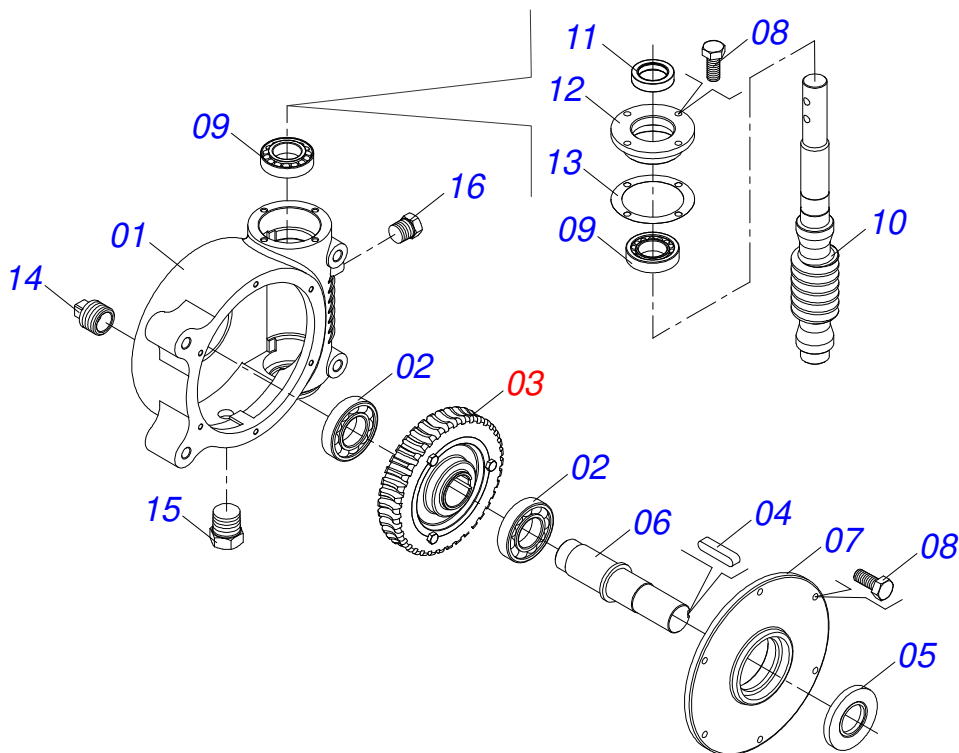
Item	Code	Description	See page	QT
001	0502011959	10Z P 1.50" GEAR		04
002	0503010361	SPRING PIN		04
003	0503010899	5/8 UNC X 2.1/4 BOLT		04
004	0503010013	5/8 NUT		04
005	0541018271	FLANGE AXLE TRANSMISSION		02
006	0501019734	FLAT WASHER		04
007	0501110334	GEAR 10Z ASSY		02
008	0503010740	BOLT 1/2 UNC X 2 CS G.5 ZN		08
009	0541016213	BEARING CHUCK REAR SIDE		02
010	0501010794	HIDR CHOCK REGULATOR		04
011	0511017302	FLAT WASHER 13,50 X 32,50 X 3,0 ZN		15
012	0503011440	SPRING WASHER		23
013	0503010060	1/2 UNC G.5 ZN HEX NUT		22
014	0501067853	ROD STABILIZER		04
015	0503010013	5/8 NUT		04
016	0503010002	1800 GREASE FITTING		01
017	0501010540	KEYWAY SQUARE		02
018	0511016540	MAT COUPLING FLANGE		01
019	0511016541	REDUCTION COUPLING FLANGE		01
020	0503010849	3/8" X 1-1/2" BOLT		02
021	0503011443	3/8" SPRING WASHER		02
022	0503010026	3/8" NUT		10
023	0501047985	REDUCER	4	01
024	0503011167	M16 X 2 X 30 BOLT		04
025	0511062450	47Z P0.6" GEAR		01
026	0503011268	3/8" X 2-1/2" BOLT		03
027	0503010751	C3/8" X 1.1/4" HEX BOLT G.5		02
028	0503011443	3/8" SPRING WASHER		02
029	0511041213	AGRICULTURAL BEARING	6	02
030	0521011063	TRANSMISSION AXLE		01
031	0501010536	KEYWAY SQUARE		01



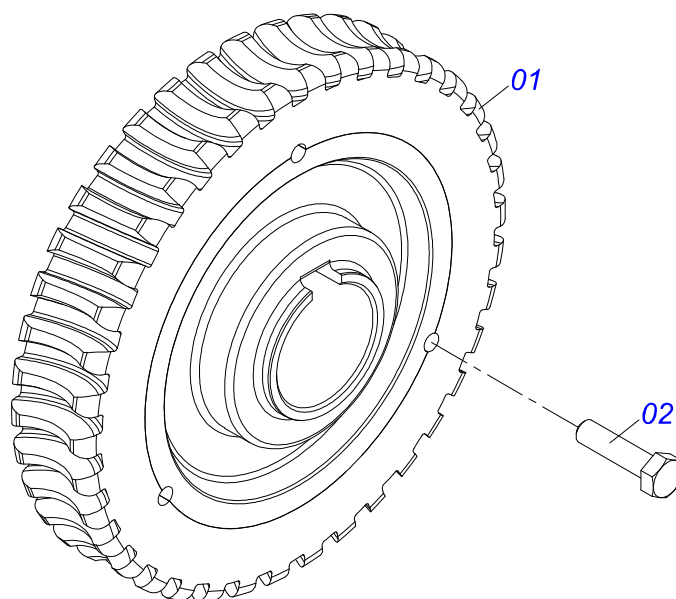
BUCKET

0501056181

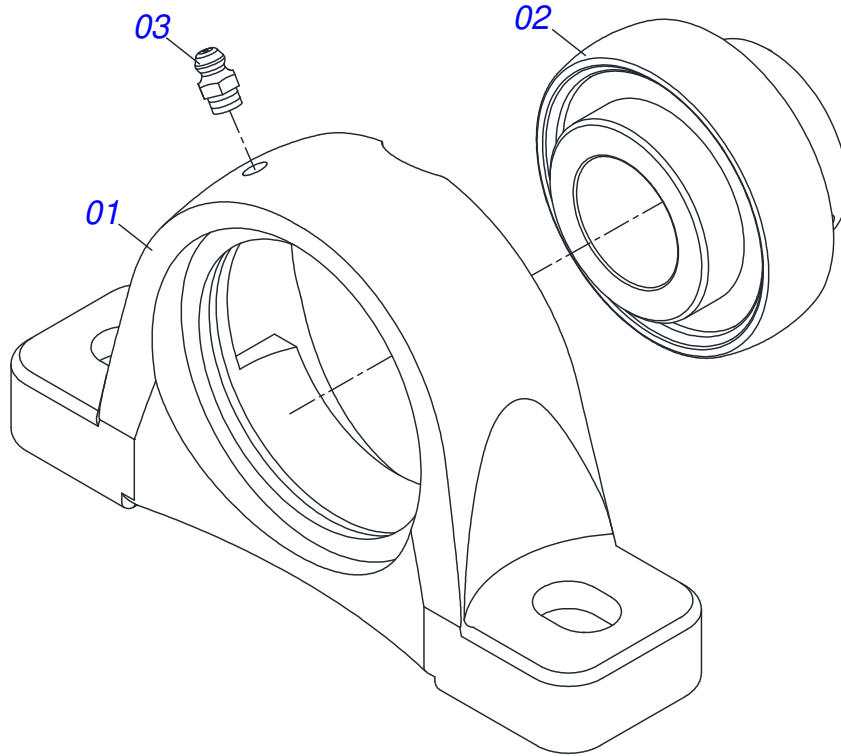
Item	Code	Description	See page	QT
032	0502011361	REEL 1C 5.5" X 1.1" PULLEY		01
033	0511014052	FLAT WASHER		01
034	0503010355	7/16" X 1" BOLT		01
035	0503011446	SPRING WASHER		01
036	0511062447	17Z P0.6" GEAR		01
037	0511041213	AGRICULTURAL BEARING	6	01
038	0503011082	C1/2" X 1.3/4" SCREW		02
039	0503010920	1/2 UNC X 1.1/2 C S G.5 ZN BOLT		11
040	0511062420	STEEL SUPPORT CABLE		01
041	0503011102	BOLT 7/16 UNC X 1.1/4 C S G.5 ZN		02
042	0503011135	BOLT		02
043	0503011446	SPRING WASHER		04
044	0503010244	7/16" NUT		04
045	0521011192	1800 FRONT DRIVE AXLE		01
046	0501046802	BELT TENSIONER ASSY	7	01
047	0503010361	SPRING PIN		02
048	0521068793	TRACTOR TRACTOR		01
049	0521010681	BUSHING COUPLING BODY		01
050	0521010639	COUPLING SHAFT		01
051	0503010571	1/4" X 1.1/2 COTTERPIN		01
052	0503011098	1/4" GREASE FITTING		04
053	0503011445	SPRING WASHER		16
054	0501012140	FLAT WASHER		08
055	0501069017	12Z GEAR		01
056	0501044308	AGRICULTURAL BEARING ASSY	8	02
057	0501044308	AGRICULTURAL BEARING ASSY	8	02
058	0531010168	MOTOR SHAFT		01
059	0541016212	HITCH STEEL CABLE		02
060	0502012327	10Z GEAR		02
061	0502012340	10Z GEAR		02
062	0501053159	DISTRIBUTOR RIGHT DISC ASSY	9	01
063	0501053160	DISTRIBUTOR LEFT DISC ASSY	10	01
064	0501056183	RIGHT BEARING SUPPORT DISC	11	01
065	0501056184	LEFT BEARING SUPPORT DISC	12	01
066	0503012102	CREASE FITTING		01
067	0501010536	KEYWAY SQUARE		02
068	0531010253	FLAT WASHER		02
069	0503010391	501038 CLAMPING RING (FOR AXLE)		02
070	0511060909	PROTECTION REAR SUPPORT FIXER		01
071	0541016205	DCA-DC AXLE		02
072	0521068822	BEARING PROTECTION		03
073	0503010237	3/8" X 1" BOLT		02
074	0503011443	3/8" SPRING WASHER		02
075	0501013518	FLAT WASHER		02
076	0511016579	WASHER		01
077	0501010984	10,50 X 27 X 3,00 FLAT WASHER		02
078	0521068821	SUPPORT BELT PROTECTION		01
079	0531060297	PROTECTION REAR		01
080	0501053163	MAT VALVE RIGHT ASSY	13	01
081	0501053164	MAT VALVE LEFT ASSY	14	01
082	0511066454	BUCKET		01
083	0501044306	BATH BEARING	15	01
084	0521053161	CARDAN SUPPORT WITHOUT SPRING	16	01



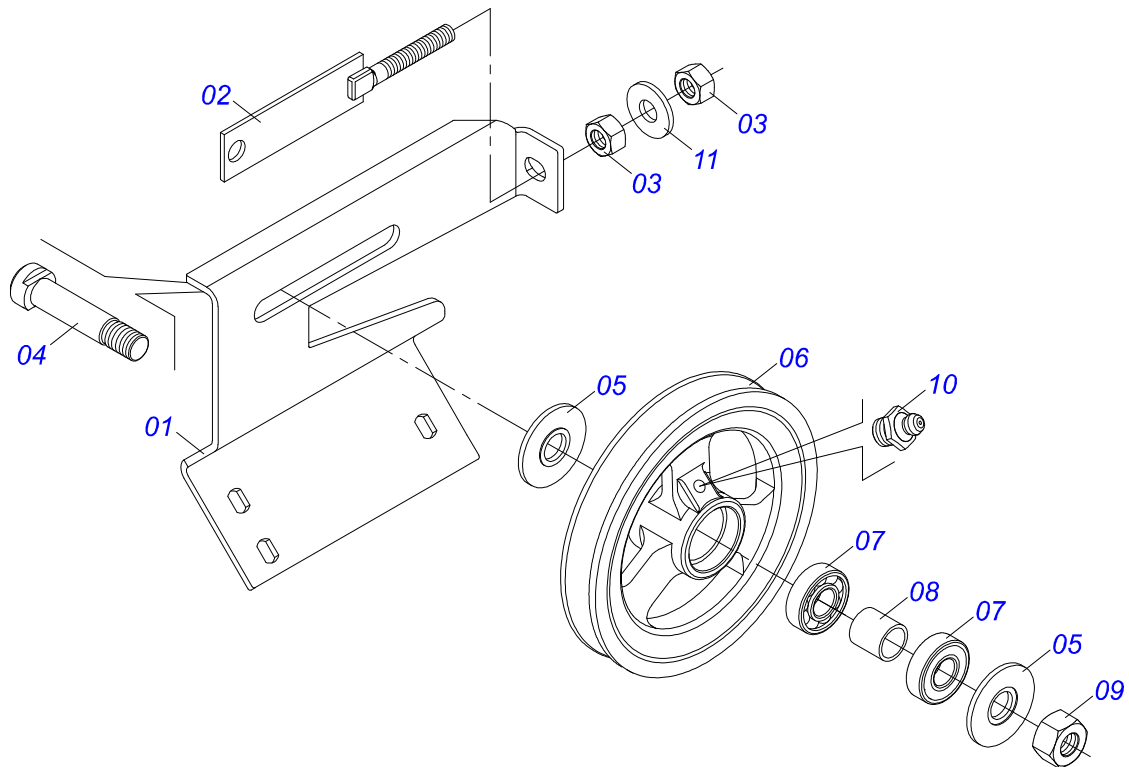
Item	Code	Description	See page	QT
01	0502011456	REDUCTION BOX		01
02	0503011095	6208 BALL BEARING		02
03	0501051774	38Z CROWN	5	01
04	0503011304	1/2" X 2.4" KEYWAY SQUARE		01
05	0503010818	02675-BRG SEAL		01
06	0521010996	AXLE		01
07	0502020556	LARGER COVER		01
08	0503010240	BOLT		10
09	0503010016	BEARING LM		02
10	0521010997	SCREW THEAD		01
11	0503011171	00912-BRG SEAL		01
12	0502011457	SMALLER COVER		01
13	0503030981	102 X 75,5 X 0,10 JOINT		01
14	0521011023	PLUG		01
15	0513010009	LEVEL DISPLAY		01
16	0503010856	OIL PLUG		01



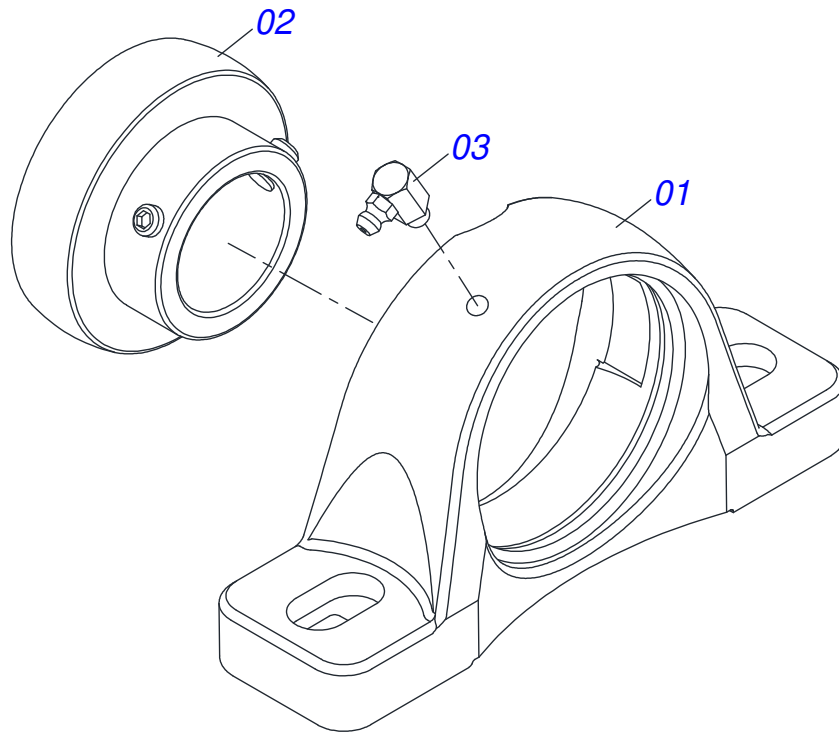
Item	Code	Description	See page	QT
01	0501110280	38Z CONICAL		01
02	0503010365	BOLT 5/16 UNC X 1.1/4 C S G.5 ZN		03



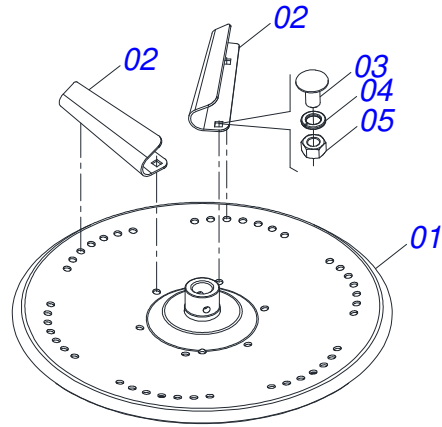
Item	Code	Description	See page	QT
01	0502011954	AGRICULTURAL HOUSING BEARING		01
02	0503011884	BALL BEARING		01
03	0503010691	1/4" GREASE FITTING		01



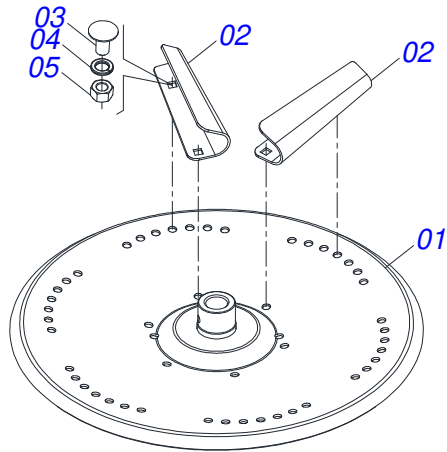
Item	Code	Description	See page	QT
01	0501066100	SUPPORT		01
02	0501065968	1C X 8.3 PULLEY TENSIONER		01
03	0503010013	5/8 NUT		02
04	0511012362	TIGHTENER AXLE PULLEY		01
05	0501019288	WASHER SPACER		02
06	0502011366	REEL 1C 8.3" X 1.6" PULLEY		01
07	0503010690	6204 BALL BEARING		02
08	0521010497	0.8" X 1.1" X 1.1" SPACER		01
09	0503010014	3/4" HEX NUT		01
10	0503010002	1800 GREASE FITTING		01
11	0501012140	FLAT WASHER		01



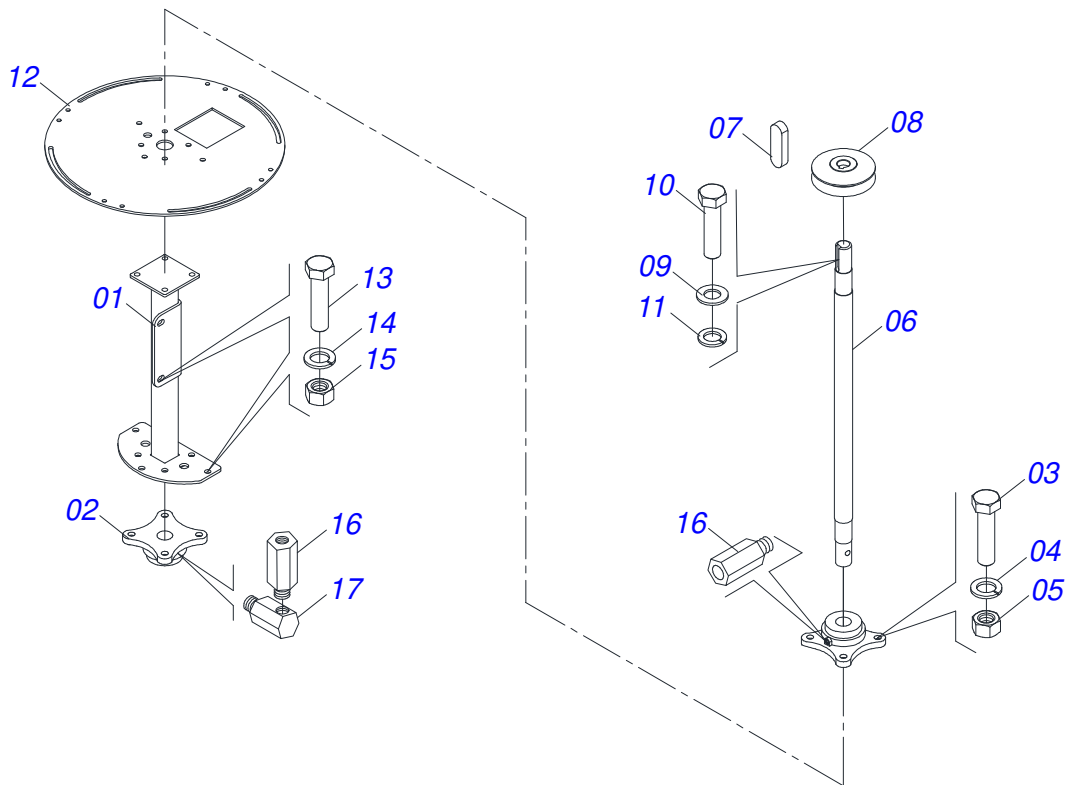
Item	Code	Description	See page	QT
01	0502011050	AGRICULTURAL HOUSING BEARING		01
02	0503011163	1108/UCR BEARING ASSY		01
03	0503010004	1890 GREASE FITTING		01



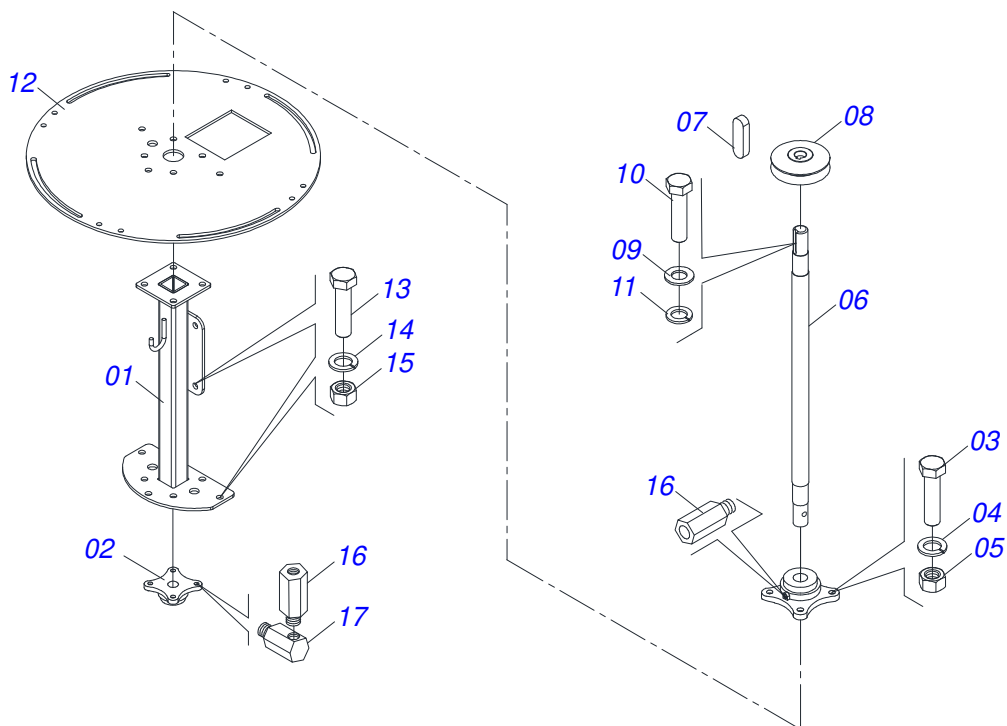
Item	Code	Description	See page	QT
01	0511062433	DISTRIBUTOR DISC		01
02	0521018637	LEFT FLIP		06
03	0503013029	3/8" X 3/4" BOLT		12
04	0503011443	3/8" SPRING WASHER		12
05	0503010026	3/8" NUT		12



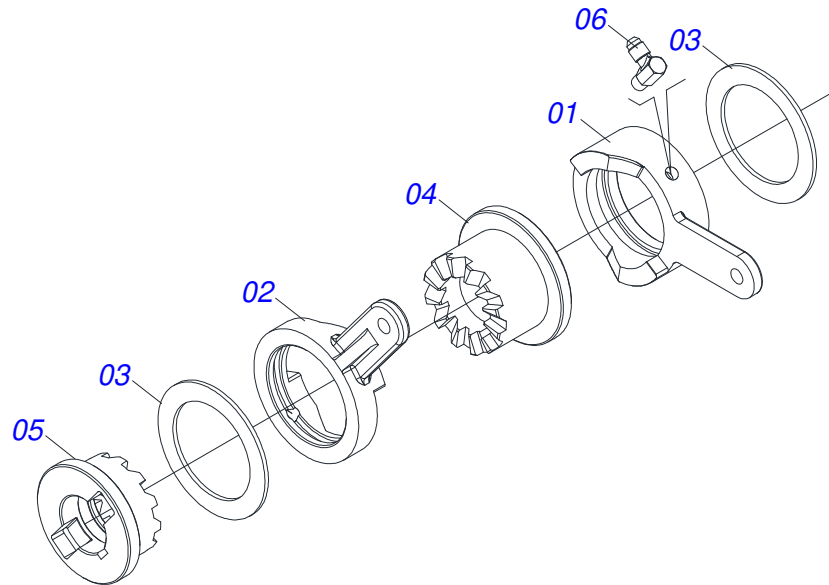
Item	Code	Description	See page	QT
01	0511062433	DISTRIBUTOR DISC		01
02	0521018638	LH FLIP		06
03	0503013029	3/8" X 3/4" BOLT		12
04	0503011443	3/8" SPRING WASHER		12
05	0503010026	3/8" NUT		12



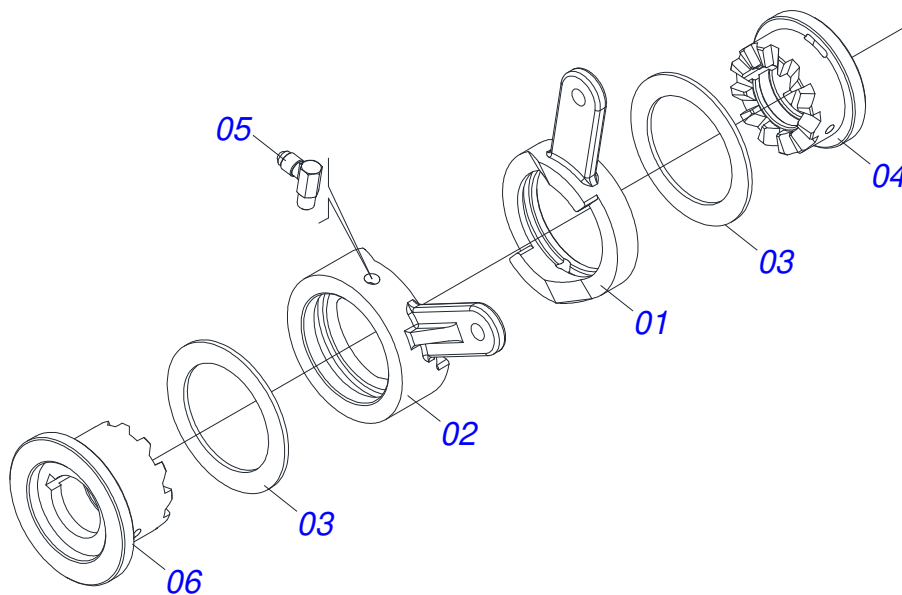
Item	Code	Description	See page	QT
01	0511066462	SUPPORT DISC DISTRIBUTOR RIGHT		01
02	0501048000	AGRICULTURAL BEARING		02
03	0503011102	BOLT 7/16 UNC X 1.1/4 C S G.5 ZN		08
04	0503011446	SPRING WASHER		08
05	0503010244	7/16" NUT		08
06	0531010187	DISTRIBUTOR AXLE CONDUCTOR DISC		01
07	0501010536	KEYWAY SQUARE		01
08	0502011361	REEL 1C 5.5" X 1.1" PULLEY		01
09	0511014052	FLAT WASHER		01
10	0503010355	7/16" X 1" BOLT		01
11	0503011446	SPRING WASHER		01
12	0541016208	SUPPORT BODY		01
13	0503010920	1/2 UNC X 1.1/2 C S G.5 ZN BOLT		02
14	0503010019	1/2" SPRING WASHER		03
15	0503010060	1/2 UNC G.5 ZN HEX NUT		03
16	0501019757	EXTENSION GREASE FITTING		01
17	0541016211	EXTENSION GREASE FITTING 1/8 BSP X 34		01



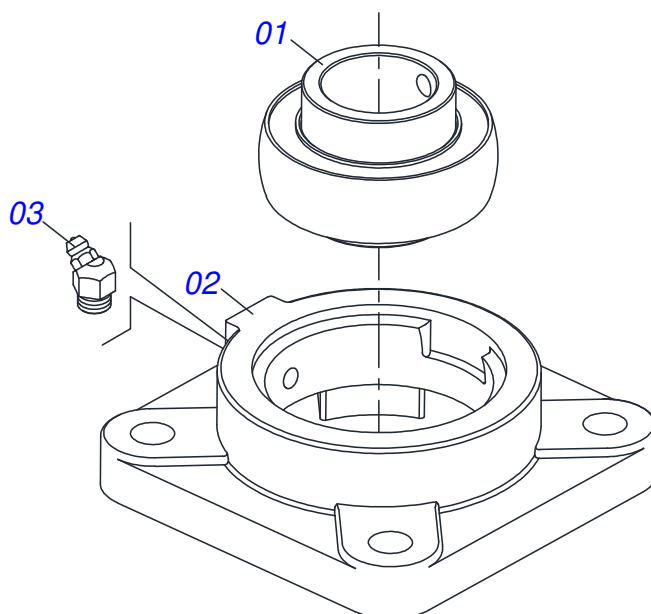
Item	Code	Description	See page	QT
01	0511066461	SUPPORT DISC DISTRIBUTOR LEFT		01
02	0501048000	AGRICULTURAL BEARING		02
03	0503011102	BOLT 7/16 UNC X 1.1/4 C S G.5 ZN		08
04	0503011446	SPRING WASHER		08
05	0503010244	7/16" NUT		08
06	0531010187	DISTRIBUTOR AXLE CONDUCTOR DISC		01
07	0501010536	KEYWAY SQUARE		01
08	0502011361	REEL 1C 5.5" X 1.1" PULLEY		01
09	0511014052	FLAT WASHER		01
10	0503010355	7/16" X 1" BOLT		01
11	0503011446	SPRING WASHER		01
12	0541016208	SUPPORT BODY		01
13	0503011102	BOLT 7/16 UNC X 1.1/4 C S G.5 ZN		02
14	0503011446	SPRING WASHER		03
15	0503010244	7/16" NUT		03
16	0501019757	EXTENSION GREASE FITTING		01
17	0541016211	EXTENSION GREASE FITTING 1/8 BSP X 34		01



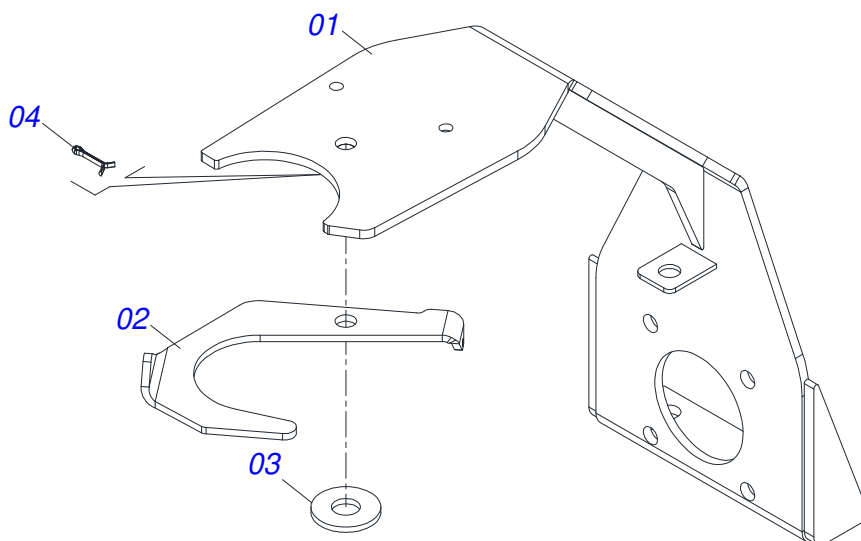
Item	Code	Description	See page	QT
01	0502011962	LEFT CAM,LARGER		01
02	0502011964	LEFT CAM, SMALLER		01
03	0501019734	FLAT WASHER		02
04	0502011917	RIGHT RATCHET LARGER		01
05	0502011916	SMALLE RIGHT RATCHET		01
06	0503012777	90G ELBOW		02



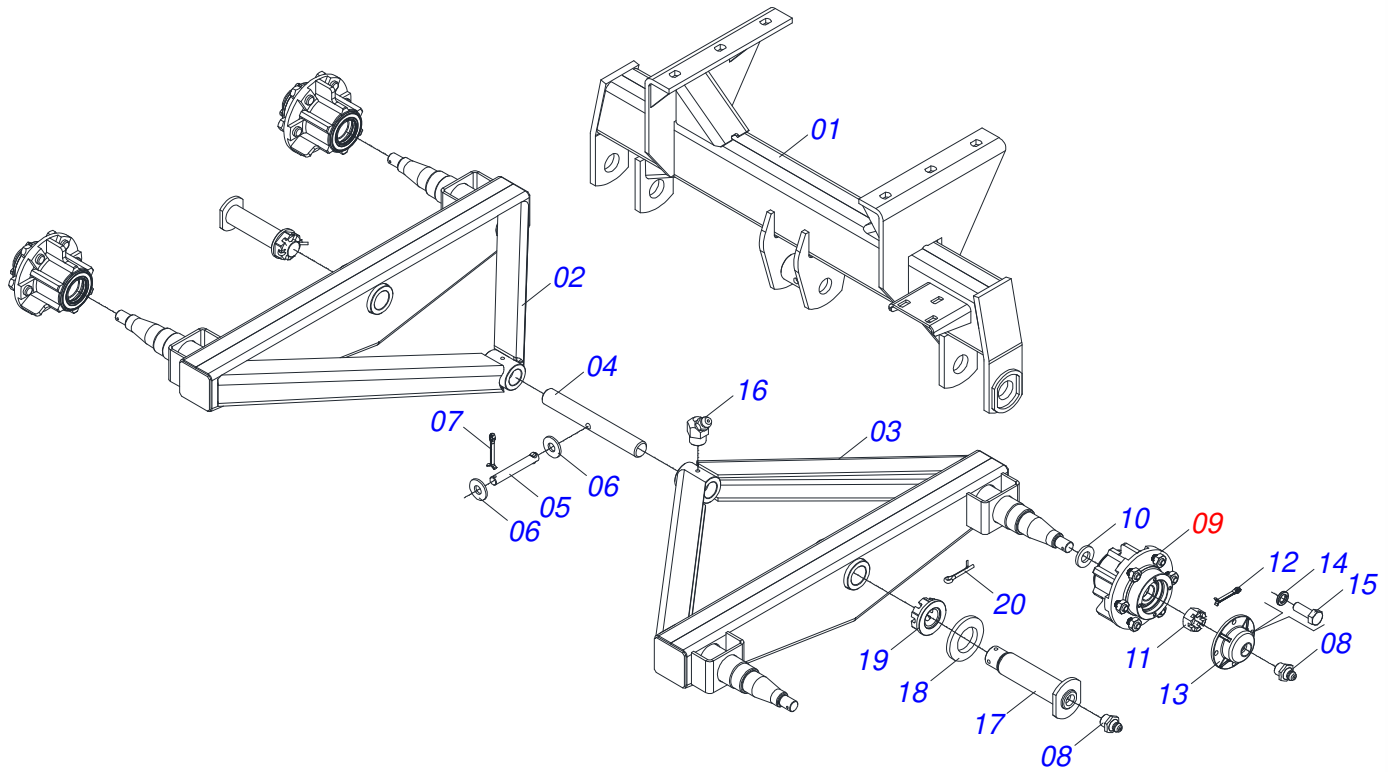
Item	Code	Description	See page	QT
01	0502011963	RIGHT CAM,SMALLER		01
02	0502011961	RIGHT CAM,LARGER		01
03	0501019734	FLAT WASHER		02
04	0502011955	SMALLE LEFT RATCHET		01
05	0503012777	90G ELBOW		02
06	0502011956	LARGER LEFT RATCHET		01



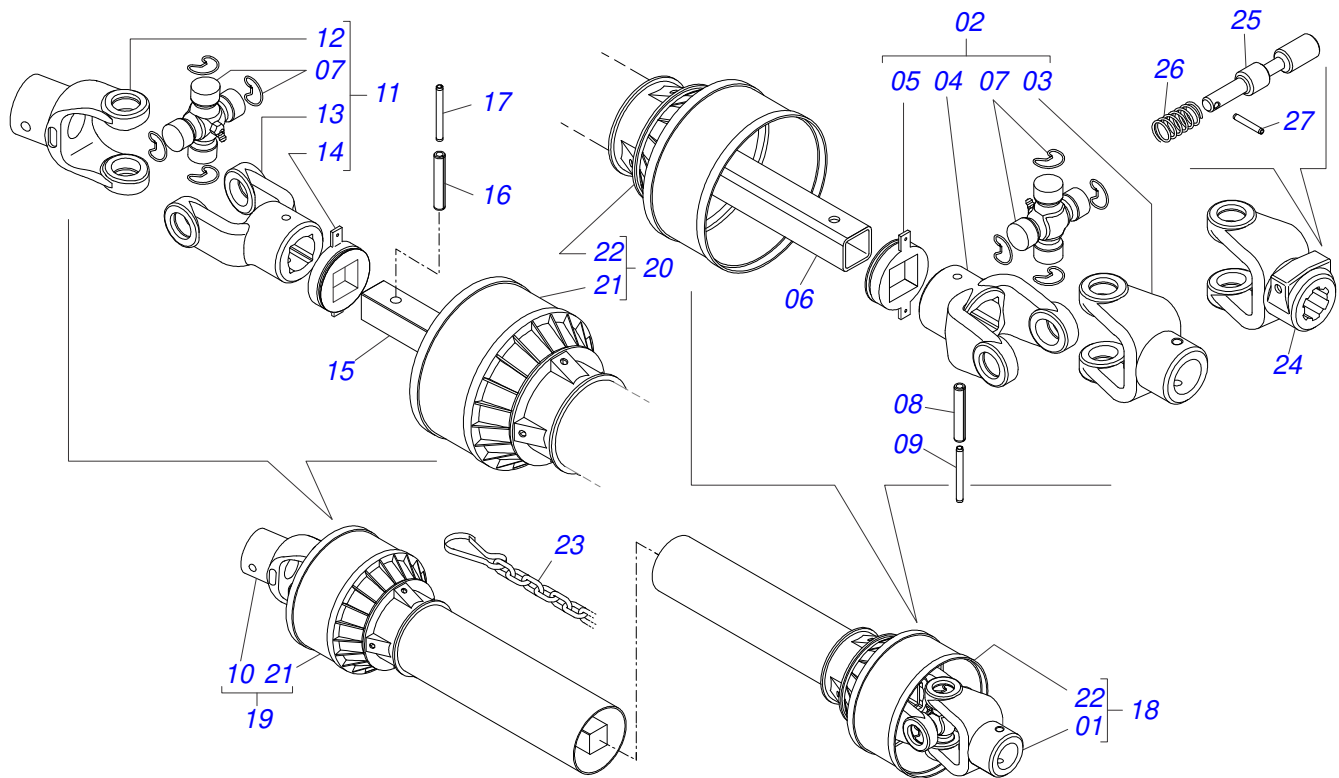
Item	Code	Description	See page	QT
01	0503011162	BALL BEARING		01
02	0503011146	HOUSING BEARING		01
03	0503011099	GREASE FITTING		01



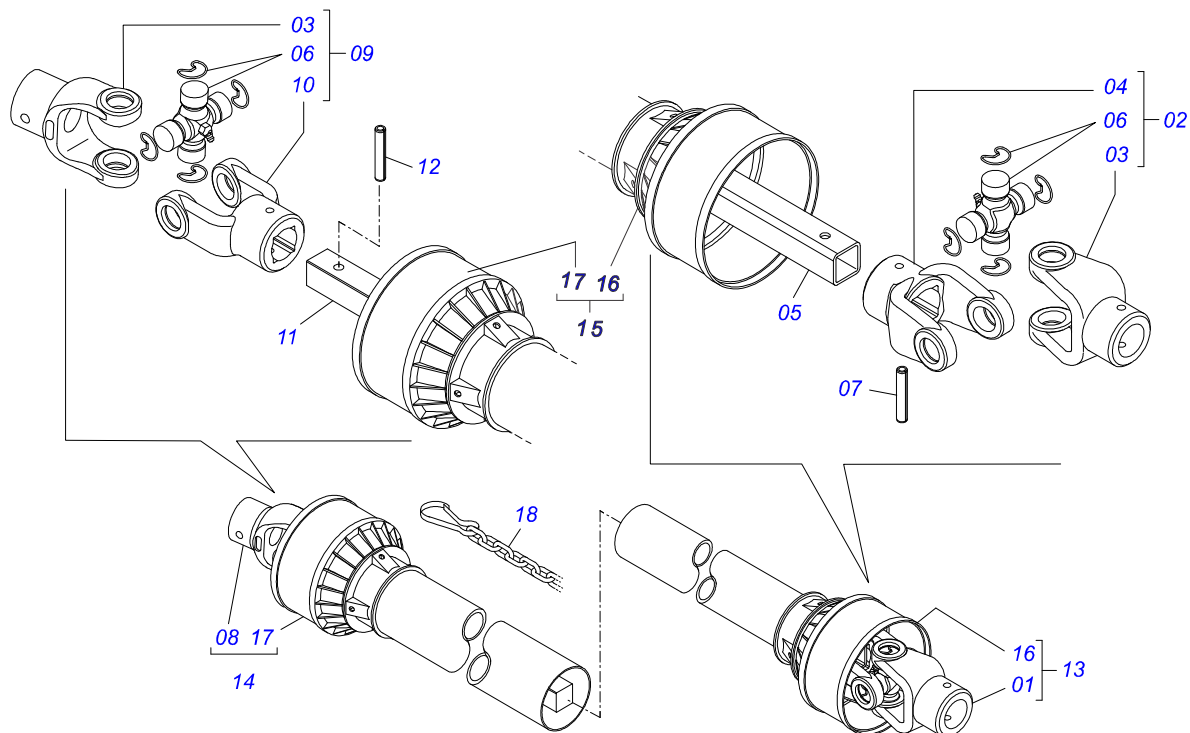
Item	Code	Description	See page	QT
01	0521068817	SUPPORT SUSTENANCE CARDAN		01
02	0511014066	CARDAN SMALLE SUPPORT		01
03	0511017302	FLAT WASHER 13,50 X 32,50 X 3,0 ZN		01
04	0503010257	1/8" X 1" COTTERPIN		01



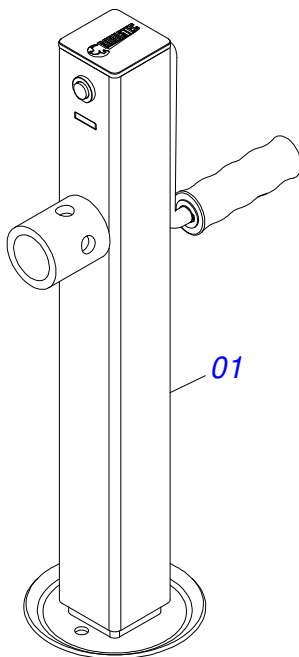
Item	Code	Description	See page	QT
01	0521062814	BELL CRANK SUPPORT FIXATION	01	01
02	0501069182	RIGHT ROCKER ARM	01	01
03	0501069183	LEFT ROCKER ARM	01	01
04	0521011118	COUPLING SHAFT	01	01
05	0521010553	0.5" X 3" COUPLING SHAFT	01	01
06	0511017302	FLAT WASHER 13,50 X 32,50 X 3,0 ZN	02	02
07	0503010577	3/16" X 1-1/4" COTTERPIN	01	01
08	0503010002	1800 GREASE FITTING	06	06
09	0501051142	CARRYING WHEEL HUB	04	04
10	0501016545	FLAT WASHER	04	04
11	0503030009	1" CASTLE NUT	04	04
12	0503010131	3/16" X 1-1/2" COTTERPIN	04	04
13	0502020591	PROTECCION COVER	04	04
14	0503011444	SPRING WASHER	16	16
15	0503010358	5/16" X 5/8" BOLT	16	16
16	0503010003	1845 GREASE FITTING	02	02
17	0521069952	COUPLING SHAFT	02	02
18	0501010086	FLAT WASHER	02	02
19	0503011052	1.1/4" X 0.77" CASTLE NUT	02	02
20	0503010010	1/4" X 2.1/2" COTTERPIN	02	02



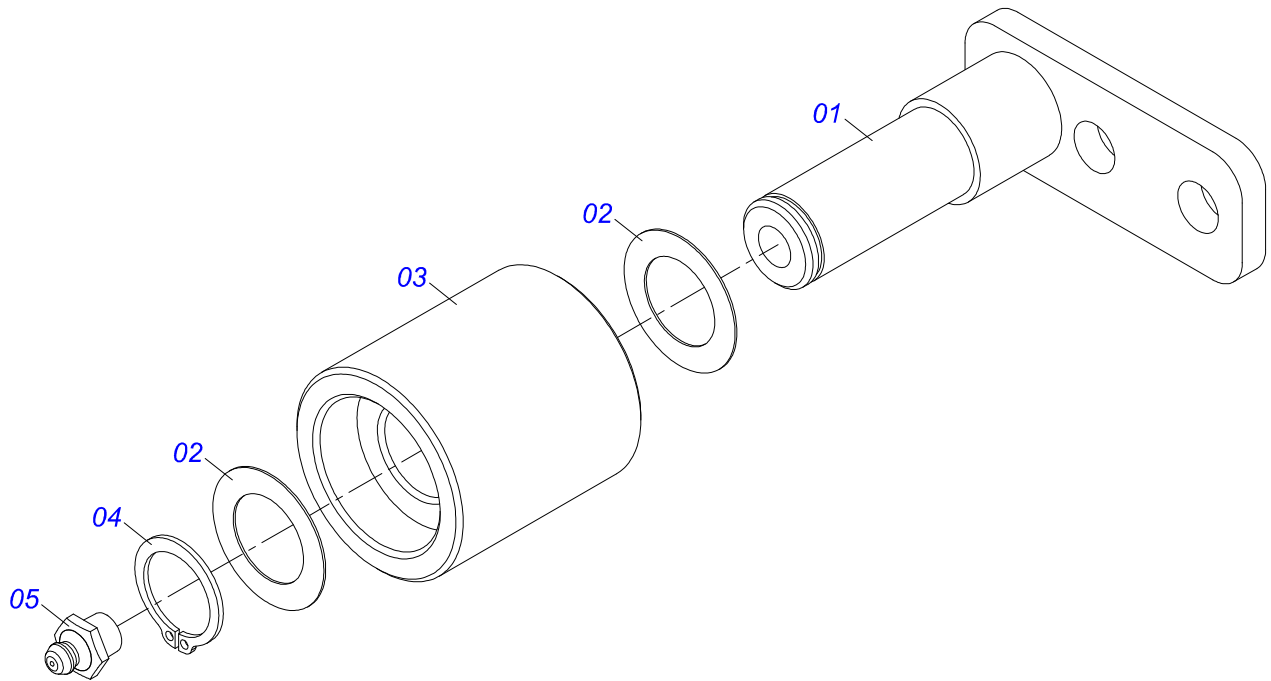
Item	Code	Description	See page	QT
01	0501052176	SLEEVE UNIVERSAL JOINT	01	01
02	0501050265	UNIVERSAL JOINT	01	01
03	0501050333	1-40 TERMINAL WITH HITCH	01	01
04	0502010565	2-40 TERMINAL WITH SH 1.5"/1.5"	01	01
05	0503012069	ADAPTER FOR BUSHING PROTECT	01	01
06	0521013800	16" X 1.4" SQUARE SLEEVE	01	01
07	0503010836	CARDAN CROSSPIECE	02	01
08	0503011069	0.4" X 2.8" SPRING PIN	01	01
09	0503010510	0.2" X 2.6" SPRING PIN	01	01
10	0501052177	AXLE UNIVERSAL JOINT	01	01
11	0501052178	UNIVERSAL JOINT	01	01
12	0502011611	9-40 TERMINAL	01	01
13	0502010566	3-40 TERMINAL WITH SH 1.2"/1.2"	01	01
14	0503012070	ADAPTER FOR AXLE PROTECTION	01	01
15	0521013801	1.2" X 15.7" SQUARE SHAFT	01	01
16	0503010361	SPRING PIN	01	01
17	0503010756	0.2" X 2.4" SPRING PIN	01	01
18	0501052179	PROT/SLEEVE UNIVERSAL JOINT	01	01
19	0501052180	PROT/AXLE UNIVERSAL JOINT	01	01
20	0503012277	PROTECTION ASSY	01	01
21	0503012279	PROTECTION FOR UNIV JOINT AND AXLE	01	01
22	0503012278	PROTECTION FOR UNIV JOINT SLEEVE	01	01
23	0503012023	CHAIN FOR PROTECTION	02	01
24	0502010563	1-40 STRIATED 1.3/8" TERMINAL	01	01
25	0521010638	13,70 X 78 HITCH PIN	01	01
26	0503030518	0.5"X1.0"X 0.1" COMPRESSION SPRING	01	01
27	0503010838	0.1" X 0.8" SPRING PIN	01	01



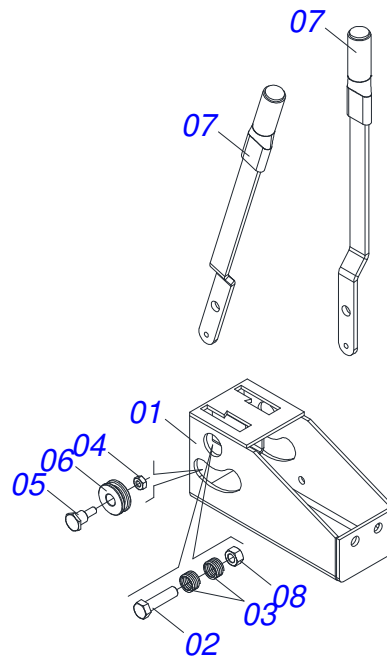
Item	Code	Description	See page	QT
01	0501052166	SLEEVE UNIVERSAL JOINT		01
02	0501051718	UNIVERSAL JOINT		01
03	0502010558	4-20 TERMINAL WITH ROLES		02
04	0502011426	2-20 TERMINAL		01
05	0521013798	0.9" X 35" SQUARE SLEEVE		01
06	0503010835	CARDAN CROSSPIECE		02
07	0503010839	03"X 0.6" SPRING PIN		01
08	0501052167	AXLE UNIVERSAL JOINT		01
09	0501051720	UNIVERSAL JOINT		01
10	0502011427	3-20 TERMINAL		01
11	0521013795	0.9" X 35" SQUARE SHAFT		01
12	0503010301	0.3" X 1.8" SPRING PIN		01
13	0501052168	PROT/SLEEVE UNIVERSAL JOINT		01
14	0501052169	PROT/AXLE UNIVERSAL JOINT		01
15	0503012271	PROTECTION ASSY		01
16	0503012272	PROTECTION FOR UNIV JOINT SLEEVE		01
17	0503012273	PROTECTION FOR UNIV JOINT AND AXLE		01
18	0503012023	CHAIN FOR PROTECTION		02



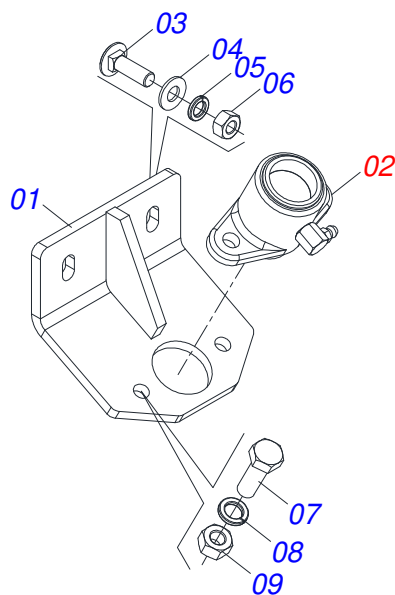
Item	Code	Description	See page	QT
01	0503062157	DRAWBAR JACK	20	01



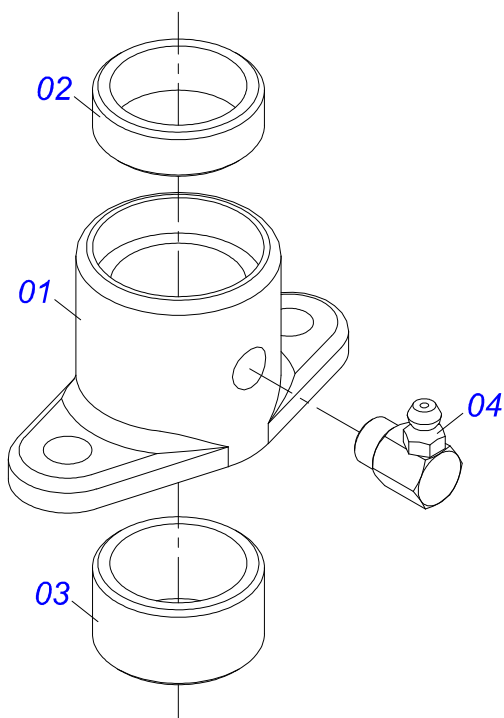
Item	Code	Description	See page	QT
01	0501067692	BELT TENSIONER BODY		01
02	0511015098	FLAT WASHER		02
03	0511017041	TENSIONER ROLD		01
04	0503010302	501019 SEAL RING		01
05	0503010002	1800 GREASE FITTING		01



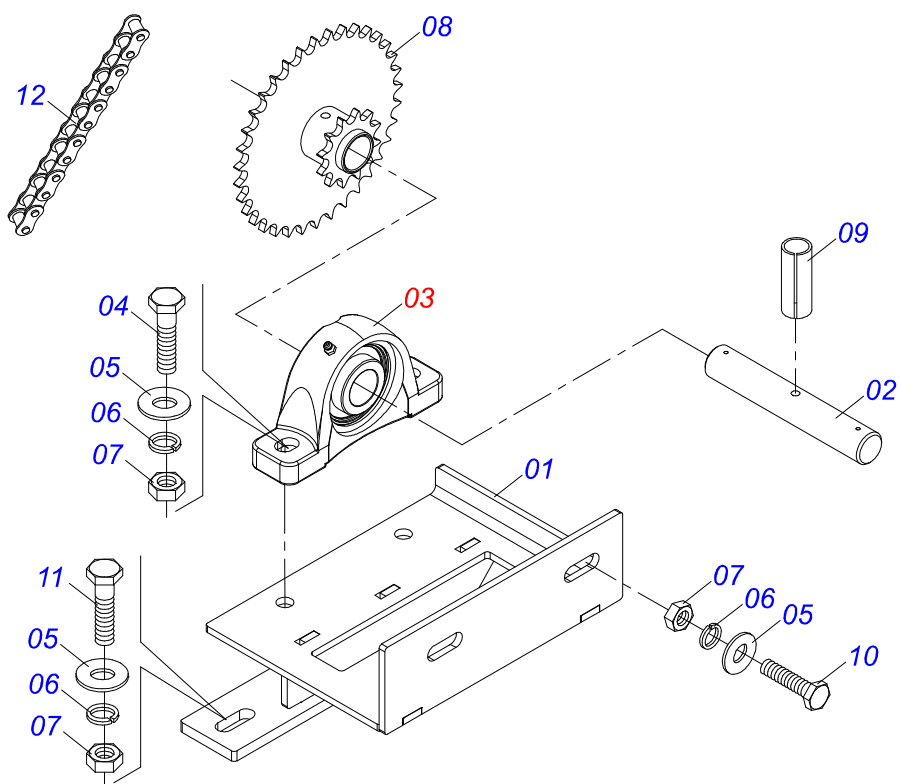
Item	Code	Description	See page	QT
01	0511062435	STEEL BOX LEVER CABLE		01
02	0503010547	1/2" X 4" BOLT		01
03	0503031719	0.7" X 1" X 1,1" COMPRESSION SPRING		02
04	0503013814	1/4" NC LOCKNUT		02
05	0581018035	AXLE PULLEY		02
06	0581018034	REEL		02
07	0531061430	LEVER		02
08	0503011336	1/2" HEX SELF ADJUSTING NUT		01



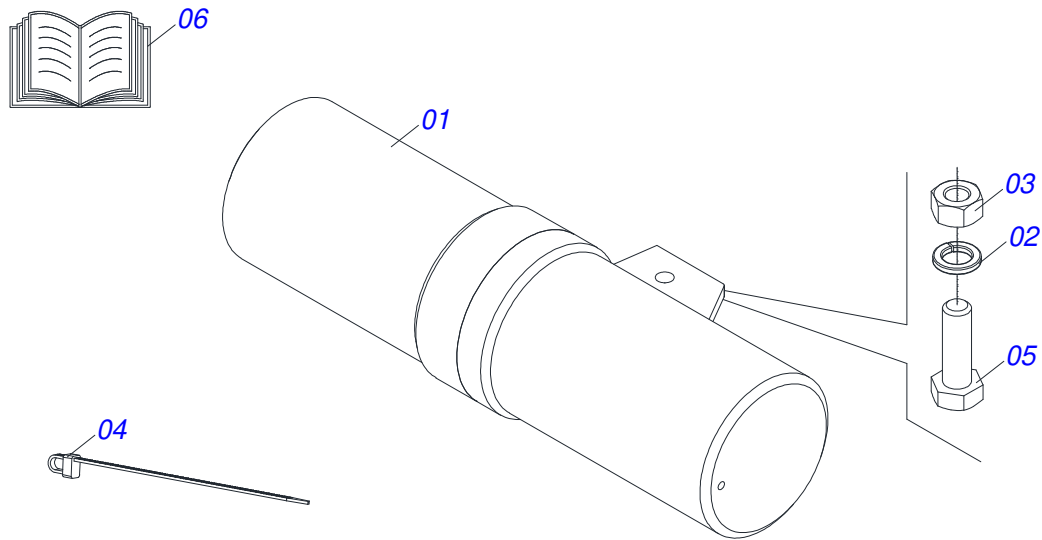
Item	Code	Description	See page	QT
01	0511066452	SLUICE VALVE FIXER BEARING		01
02	0511059094	SHAFT BEARING THREADED	24	01
03	0503030796	5/16" X 1" BOLT		02
04	0501010694	FLAT WASHER		02
05	0503010179	LOCK WASHER 5/16 ZN 1K01528		02
06	0503010337	5/16" NUT		02
07	0503010371	5/16" X 1" BOLT		02
08	0503011444	SPRING WASHER		02
09	0503010337	5/16" NUT		02



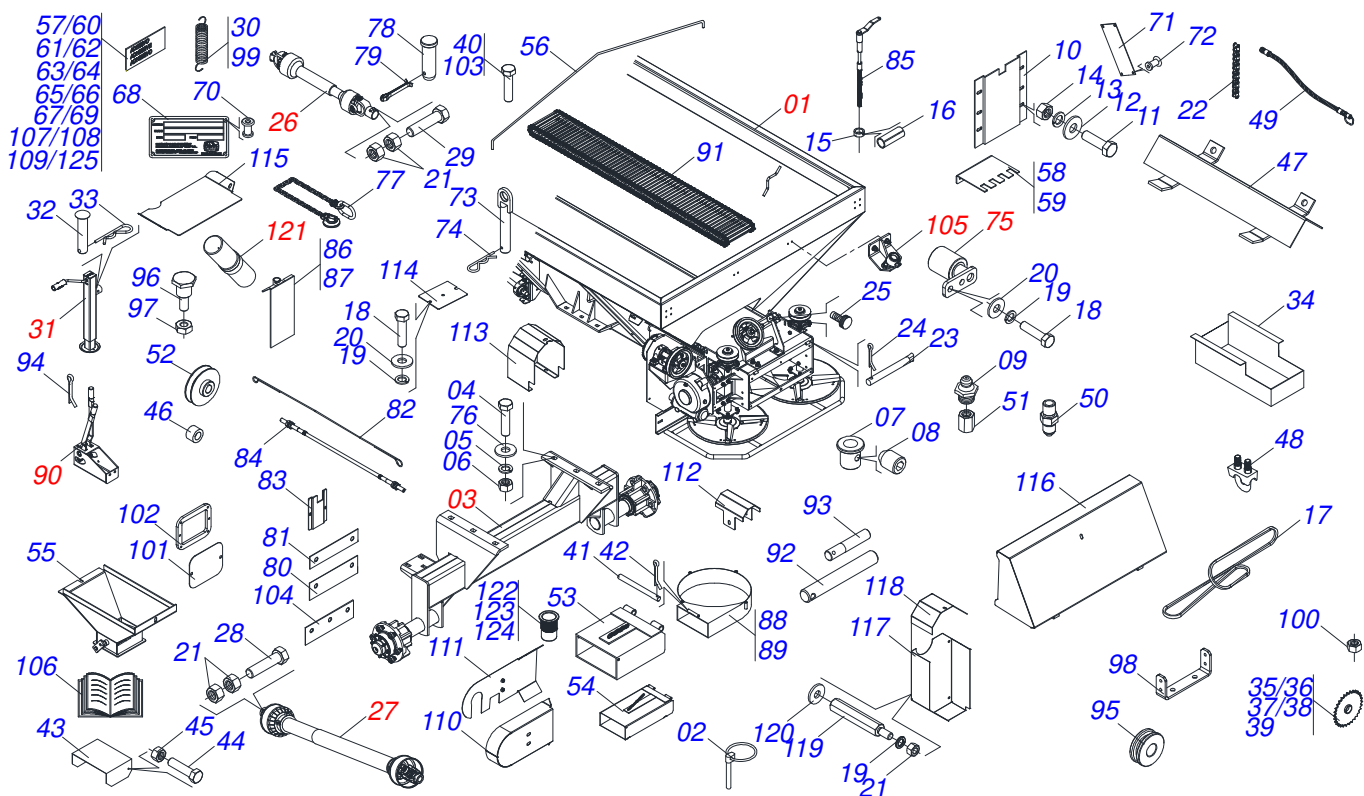
Item	Code	Description	See page	QT
01	0502010581	ROD BEARING		01
02	0521010458	SLEEVE		01
03	0521010457	SLEEVE		01
04	0503010004	1890 GREASE FITTING		01



Item	Code	Description	See page	QT
01	0511066460	SUPER REDUCTION		01
02	0531010272	REDUCTION AXLE SUPER		01
03	0511041213	AGRICULTURAL BEARING	6	02
04	0503011082	C1/2" X 1.3/4" SCREW		04
05	0511017302	FLAT WASHER 13,50 X 32,50 X 3,0 ZN		08
06	0503010019	1/2" SPRING WASHER		08
07	0503010060	1/2 UNC G.5 ZN HEX NUT		08
08	0511062364	REDUCTION GEAR SUPER		01
09	0503011855	0.2" X 1.8" SPRING PIN		01
10	0503010395	1/2" X 1-1/4" BOLT		02
11	0503010920	1/2 UNC X 1.1/2 C S G.5 ZN BOLT		02
12	0503012942	50-1 CHAIN X 46 LINK + REDUCTION		01



Item	Code	Description	See page	QT
01	0503060100	INSTRUCTIONS MANUAL CANISTER		01
02	0503010179	LOCK WASHER 5/16 ZN 1K01528		01
03	0503010337	5/16" NUT		01
04	0503010267	NYLON CLAMP		01
05	0503010363	BOLT 5/16 UNC X 1 C S G.2 ZN		01
06	0501090640	INSTRUCTION MANUAL		01



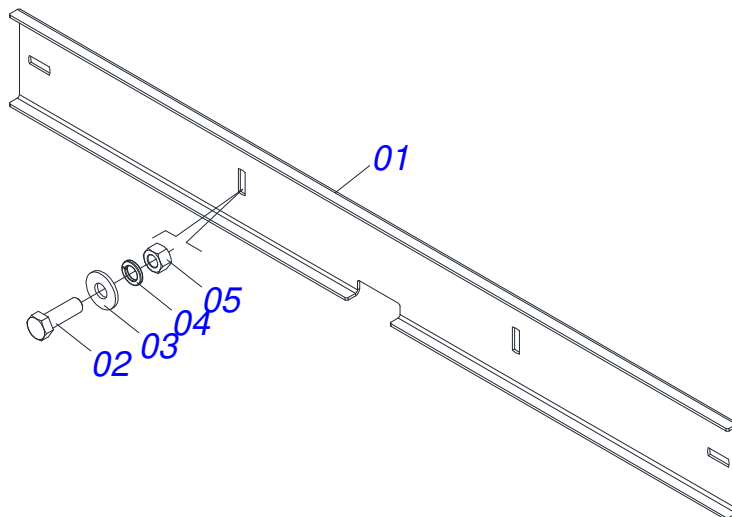
Item	Code	Description	See page	QT
001	0501056181	BUCKET	3	01
002	0503030085	LOCK PIN		12
003	0521046045	FIXING STAND ASSY	17	01
004	0503010899	5/8 UNC X 2.1/4 BOLT		06
005	0503010027	5/8 SPRING WASHER		06
006	0503010013	5/8 NUT		06
007	0541016204	ADJUSTMENT NUT DCA-DC		02
008	0503011148	3/8" X 1/2" BOLT		02
009	0503010002	1800 GREASE FITTING		08
010	0531017187	SLUICE VALVE GUIDE		02
011	0503011953	5/16" X 1" BOLT		22
012	0501010694	FLAT WASHER		22
013	0503010179	LOCK WASHER 5/16 ZN 1K01528		22
014	0503010337	5/16" NUT		22
015	0511013015	SLEEVE		02
016	0503010561	SPRING PIN		02
017	0503010154	C-128 BELT		01
018	0503010237	3/8" X 1" BOLT		17
019	0503010025	3/8 SPRING WASHER		37
020	0501010984	10,50 X 27 X 3,00 FLAT WASHER		31
021	0503010026	3/8" NUT		35
022	0503013002	50-1 CHAIN X 81 LINK + MENDING + REDUCTION		01
023	0501017574	0.3" X 2.7" AXLE		02
024	0503010140	1/8" X 3/4" COTTERPIN		02
025	0503010386	CABLE		01
026	0501048241	DRIVE SHAFT	18	01
027	0501048783	DRIVE SHAFT	19	01
028	0503011268	3/8" X 2-1/2" BOLT		02
029	0503010765	3/8" X 3" BOLT		01
030	0503030198	0.6" X 2.4" X 0.1" EXTENSION SPRING		01
031	0503062157	DRAWBAR JACK	20	01



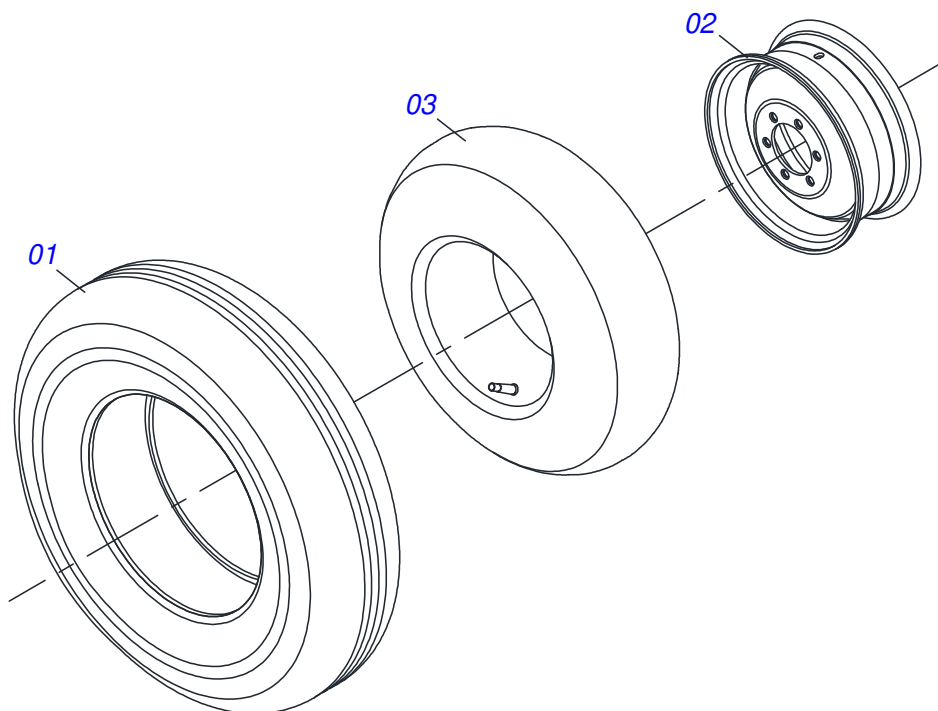
Item	Code	Description	See page	QT
032	0521010549	COUPLING SHAFT		01
033	0503030168	HITCH PIN CLIP		01
034	0511062421	COLLECCION BOX		01
035	0511062447	17Z P0.6" GEAR		01
036	0511062448	26Z P0.6" GEAR		02
037	0501069020	35Z GEAR		02
038	0511062449	40Z P0.7" GEAR		01
039	0511062450	47Z P0.6" GEAR		01
040	0503010751	C3/8" X 1.1/4" HEX BOLT G.5		04
041	0531010081	0.6" X 10.8" AXLE		02
042	0503010257	1/8" X 1" COTTERPIN		04
043	0541016214	BODY ADJUSTMENT HEIGHT		02
044	0503013813	1/4" UNC X 7/8" BOLT		04
045	0503010144	1/4" NUT		08
046	0541015142	SLEVE GUIDE		02
047	0511066459	DEFLECTOR		04
048	0503010431	1/8" CABLE STEEL STAPLE		08
049	0501081198	1/4 X 390 HOSE		04
050	0503012776	1/8" NF NIPPLE		04
051	0531013919	GREASE FITTING FIXER		04
052	0502011953	3.7 X 1.1 REEL		01
053	0511066448	BICA DRIVERS		02
054	0511067201	BICA LONG DRIVERS		02
055	0511066615	DIRECT SOCKET		02
056	0531010057	GUARD BRACKET		04
057	0503031427	ADHESIVE LABEL		01
058	0541016209	RH TOOTH COVER		01
059	0541016210	LH TOOTH COVER		01
060	0503031652	ADHESIVE LABEL		01
061	0503031859	ADHESIVE LABEL DANGER		02
062	0503031428	READ MANUAL DECAL		01
063	0503031827	LUBRICATE AND RETIGHTEN DAILY DECAL		01
064	0503031087	ADHESIVE LABEL		01
065	0503031688	ADHESIVE LABEL		01
066	0503031818	ADHESIVE LABEL		01
067	0503031809	ADHESIVE LABEL		01
068	0503034003	SERIAL NUMBER TAG 61 X 118		01
069	0503032949	ADHESIVE LABEL		01
070	0503010001	3.2 X 5.5 RIVET		04
071	0503030751	REGULATOR PLATE		01
072	0503012209	RIVET POP		04
073	0501068989	COUPLING SHAFT		01
074	0503031035	HITCH PIN CLIP		01
075	0501050829	CHAIN TENSIONER	21	01
076	0501012140	FLAT WASHER		12
077	0503013150	1300 X 3/8 CHAIN		01
078	0581011220	COUPLING SHAFT		01
079	0503010131	3/16" X 1-1/2" COTTERPIN		01
080	0531010059	7.1" X 3.3" X 0.1" PROTECTION		02
081	0531010273	RUBBER SUPPORT FIXER COVER		02
082	0531010467	1/8" X 255" STEEL CABLE		02
083	0531017384	RATCHET PROTECTION		01
084	0503012779	STEEL CONDUCTOR CABLE 1/8"		02
085	0511066463	SLUICE VALVE JACK REGULATOR		02
086	0511066458	LH SLUICE VALVE COVER		01
087	0511066457	RH SLUICE VALVE COVER		01
088	0511066450	LEFT CONTROLLER		01
089	0511066449	RIGHT CONTROLLER		01
090	0501053157	LEVER BOX CABLE STEEL	22	01



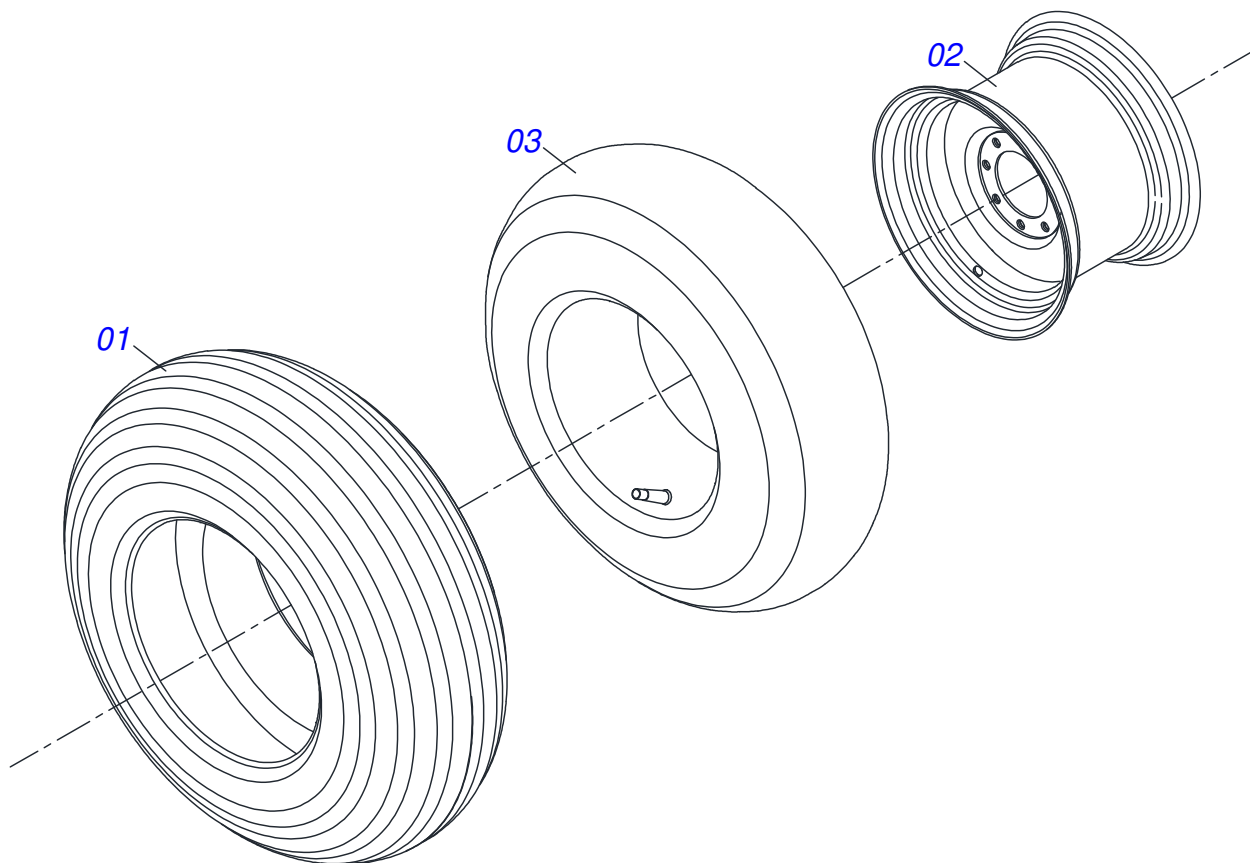
Item	Code	Description	See page	QT
091	0511048562	DRIVE ESTABILIZER DCA		02
092	0581016925	PRISONER		02
093	0581018030	DISASSEMBRE AXLE		02
094	0503010140	1/8" X 3/4" COTTERPIN		02
095	0581018034	REEL		02
096	0581018035	AXLE PULLEY		02
097	0503013814	1/4" NC LOCKNUT		02
098	0581018047	STRETCHER SPINDLE FIXER		01
099	0503030093	TRACTION SPRING		02
100	0503010060	1/2 UNC G.5 ZN HEX NUT		04
101	0581018031	REAR PROTECTION		02
102	0581018033	REAR PROTECTION FIXER SUPPORT		02
103	0503010256	3/8" X 3/4" BOLT		10
104	0503034731	SCRAPER		02
105	0521053728	FIXER BEARING	23	02
106	0511033355	BAG WITH CATALOG		01
107	0503034729	ADHESIVE LABEL		02
108	0503034727	ADHESIVE LABEL		02
109	0503034728	ADHESIVE LABEL		04
110	0581017500	REAR LATERAL PROTECTION BELT		01
111	0521068820	REAR LATERAL PROTECTION BELT		01
112	0591016133	COVER PROTECTION AXLE		01
113	0581017468	PROTECTION BODY		01
114	0581017488	LOWER PROTECTION BOARD CARDAN		01
115	0541018667	FRONT COVER		01
116	0501069840	REAR COVER PROTECTION		01
117	0591011524	PROTECTION COVER		01
118	0591011525	UPPER COVER		01
119	0521012365	HEX PRISONER		03
120	0501013518	FLAT WASHER		04
121	0531050025	ASSY MANUAL DOOR	26	01
122	0503019416	RIVET SCREW THREAD INTERNAL		07
123	0503019729	THREAD SCREW INTERNAL		04
124	0503019413	THREAD SCREW INTERNAL		04
125	0503036144	MAXIMUM SPEED ADHESIVE LABEL		01



Item	Code	Description	See page	QT
01	0501019838	BAMPER		01
02	0503010920	1/2 UNC X 1.1/2 C S G.5 ZN BOLT		02
03	0511017302	FLAT WASHER 13,50 X 32,50 X 3,0 ZN		02
04	0503010019	1/2" SPRING WASHER		02
05	0503010060	1/2 UNC G.5 ZN HEX NUT		02



Item	Code	Description	See page	QT
01	0503010120	CANVAS TIRE		01
02	0521062708	WHEEL 5,50 X 16 X 118 X 6F 16,50 X 152,40		01
03	0503010033	7.50 X 16 INNER TIRE		01



Item	Code	Description	See page	QT
01	0503010858	CANVAS TIRE		01
02	0503011468	WEEL		01
03	0503010860	AIR CHAMBER 11L 15		01



MARCHESAN

Technical Publications | Elaboration and Revision

LORENA ROCHA ALVES

www.marchesan.com.br

