

**CHASER BIN**

**DCA DC 2500**

**Code:** 0501093168  
**Series:** S-0205  
**Revision:** 01  
**Date Revision:** FEVEREIRO/2023

# PARTS CATALOGUE



**MARCHESAN**



# PRODUCTS

Code	Description
0109090077	DCA DC 2500 S/OPCIONAIS S-0205
0109090152	DCA DC 2500 C/PNEU 11L15 S/OPCIONAIS S-0205
0109090130	DCA DC 2500 COMPL CUBA S-0205
0109090069	DCA DC 2500 COMPLETO S-0205
0109090081	DCA DC 2500 COMPLETO PN11L15 S-0205

## ATTENTION: IMPORTANT

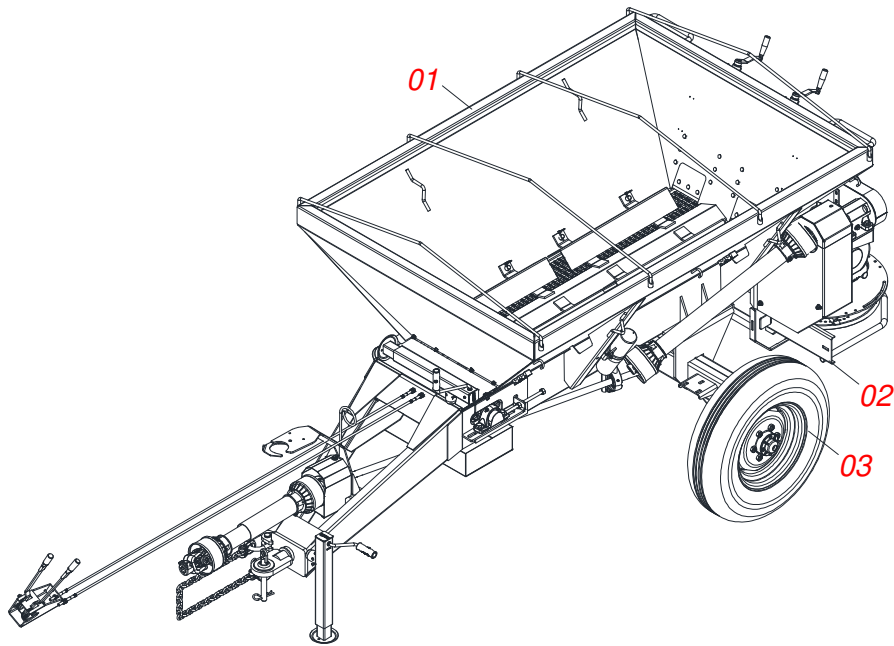
Marchesan S.A. reserves the right to improve and/or modify the technical features of its products, without obligation to do the same with those products already sold and without prior knowledge of the dealer or the customer. The photos are only illustrative.



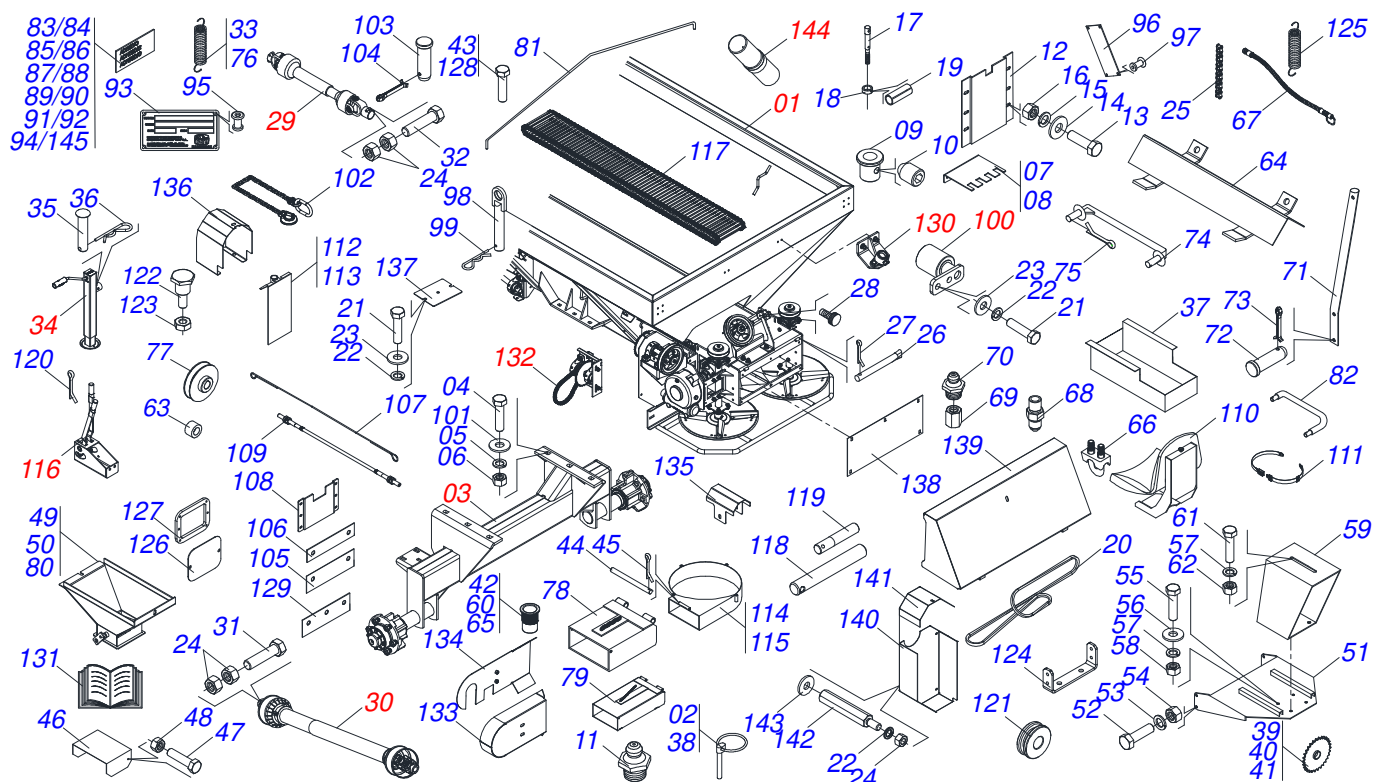
**MARCHESAN**

# INDEX

0909096091	ASSY FRAME	.....	1
0511043753	ASSY FRAME	.....	2
0501056265	BUCKET	.....	3
0501047985	REDUCER	.....	4
0501051774	38Z CROWN	.....	5
0511041213	AGRICULTURAL BEARING	.....	6
0501046802	BELT TENSIONER ASSY	.....	7
0501044308	AGRICULTURAL BEARING ASSY	.....	8
0501053159	DISTRIBUTOR RIGHT DISC ASSY	.....	9
0501053160	DISTRIBUTOR LEFT DISC ASSY	.....	10
0501056183	RIGHT BEARING SUPPORT DISC	.....	11
0501056184	LEFT BEARING SUPPORT DISC	.....	12
0501048000	AGRICULTURAL BEARING	.....	13
0501053163	MAT VALVE RIGHT ASSY	.....	14
0501053164	MAT VALVE LEFT ASSY	.....	15
0521053161	CARDAN SUPPORT WITHOUT SPRING	.....	16
0501044306	BATH BEARING	.....	17
0501049243	CARRYING-WHEEL FIXATION SUPPORT	.....	18
0501051142	CARRYING WHEEL HUB	.....	19
0501048241	DRIVE SHAFT	.....	20
0501048409	DRIVE SHAFT	.....	21
0503062157	DRAWBAR JACK	.....	22
0501053157	LEVER BOX CABLE STEEL	.....	23
0521053728	FIXER BEARING	.....	24
0511059094	SHAFT BEARING THREADED	.....	25
0501056429	SET SUPER REDUCTION	.....	26
0531050025	ASSY MANUAL DOOR	.....	27
0511043949	ASSY FRAME	.....	28
0531050027	BAMPER	.....	29
0503060206	29.5"X0.6"- 10L WHEEL AND TIRE ASSY	.....	30
0503060181	WHEEL AND TIRE	.....	31
0503061777	WHEEL AND TIRE	.....	32



Item	Code	Description	See page	QT
01	0511043753	ASSY FRAME	2	01
01.	0511043949	ASSY FRAME	28	01
02	0531050027	BAMPER	29	01
03	0503060206	29.5"X0.6"- 10L WHEEL AND TIRE ASSY	30	02
03.	0503060181	WHEEL AND TIRE	31	02
03..	0503061777	WHEEL AND TIRE	32	02

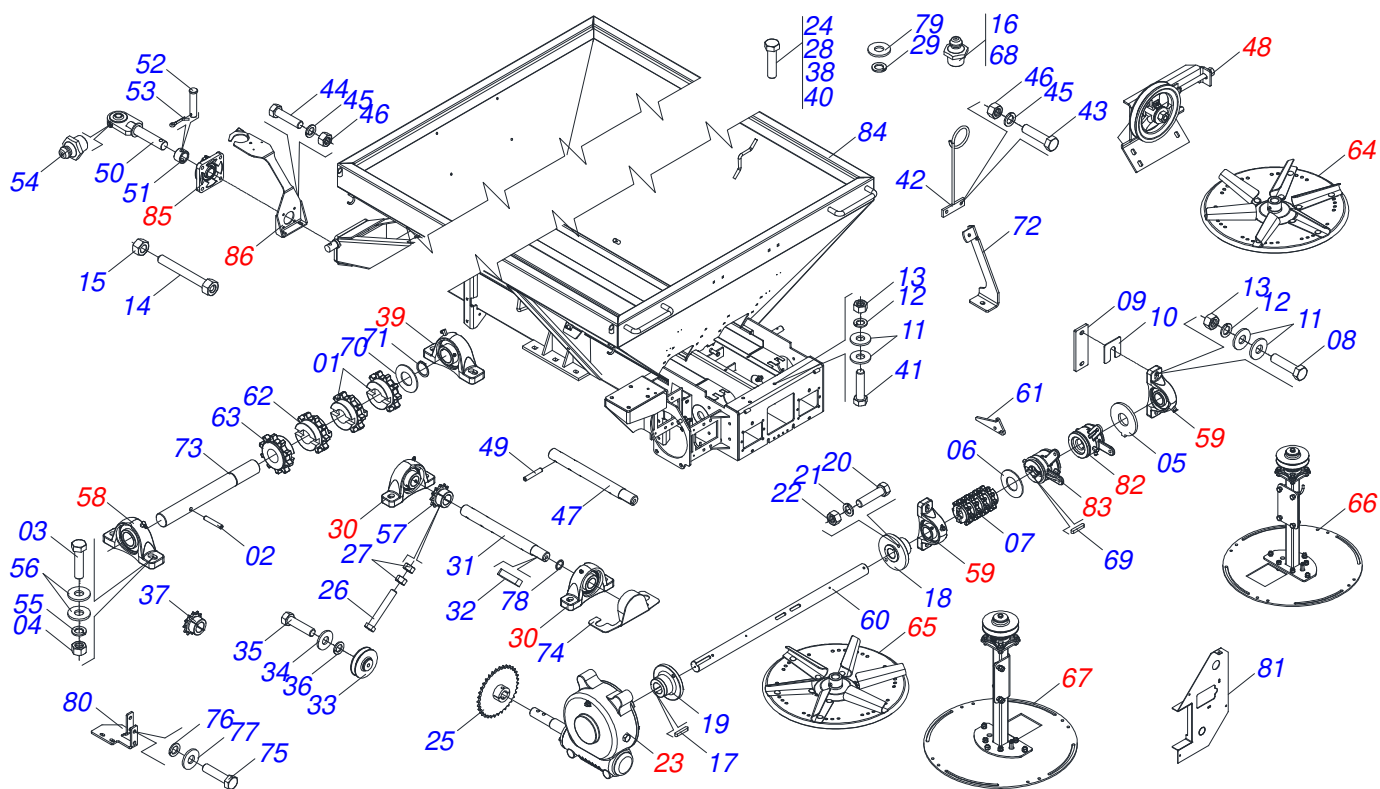


Item	Code	Description	See page	QT
001	0501056265	BUCKET	3	01
002	0503030085	LOCK PIN		01
003	0501049243	CARRYING-WHEEL FIXATION SUPPORT	18	01
004	0503010899	5/8 UNC X 2.1/4 BOLT		06
005	0503010027	5/8 SPRING WASHER		06
006	0503010013	5/8 NUT		06
007	0541016209	RH TOOTH COVER		01
008	0541016210	LH TOOTH COVER		01
009	0541016204	ADJUSTMENT NUT DCA-DC		02
010	0503011148	3/8" X 1/2" BOLT		02
011	0503010002	1800 GREASE FITTING		04
012	0531017187	SLUICE VALVE GUIDE		02
013	0503011953	5/16" X 1" BOLT		22
014	0501010694	FLAT WASHER		22
015	0503010179	LOCK WASHER 5/16 ZN 1K01528		22
016	0503010337	5/16" NUT		22
017	0511066468	REGULATOR BOLT		02
018	0511013015	SLEEVE		02
019	0503010561	SPRING PIN		02
020	0503010154	C-128 BELT		01
021	0503010237	3/8" X 1" BOLT		19
022	0503010025	3/8 SPRING WASHER		39
023	0501010984	10,50 X 27 X 3,00 FLAT WASHER		36
024	0503010026	3/8" NUT		35
025	0503013002	50-1 CHAIN X 81 LINK + MENDING + REDUCTION		01
026	0501017574	0.3" X 2.7" AXLE		02
027	0503010140	1/8" X 3/4" COTTERPIN		02
028	0503010386	CABLE		01
029	0501048241	DRIVE SHAFT	20	01
030	0501048409	DRIVE SHAFT	21	01
031	0503011268	3/8" X 2-1/2" BOLT		02

Item	Code	Description	See page	QT
032	0503010765	3/8" X 3" BOLT		01
033	0503030198	0.6" X 2.4" X 0.1" EXTENSION SPRING		01
034	0503062157	DRAWBAR JACK	22	01
035	0521010549	COUPLING SHAFT		01
036	0503030168	HITCH PIN CLIP		01
037	0511062421	COLLECCION BOX		01
038	0503030085	LOCK PIN		02
039	0511062448	26Z P0.6" GEAR		02
040	0501069020	35Z GEAR		02
041	0511062449	40Z P0.7" GEAR		01
042	0503019729	THREAD SCREW INTERNAL		04
043	0503010751	C3/8" X 1.1/4" HEX BOLT G.5		04
044	0531010081	0.6" X 10.8" AXLE		02
045	0503010257	1/8" X 1" COTTERPIN		04
046	0541016214	BODY ADJUSTMENT HEIGHT		02
047	0503013813	1/4" UNC X 7/8" BOLT		04
048	0503010144	1/4" NUT		08
049	0511066455	RIGHT SOCKET		01
050	0511066456	LEFT SOCKET		01
051	0511066451	SEAT BASE		01
052	0503010355	7/16" X 1" BOLT		04
053	0503010180	7/16" SPRING WASHER		04
054	0503010244	7/16" NUT		04
055	0503010395	1/2" X 1-1/4" BOLT		08
056	0511017302	FLAT WASHER 13,50 X 32,50 X 3,0 ZN		04
057	0503010019	1/2" SPRING WASHER		10
058	0503010060	1/2 UNC G.5 ZN HEX NUT		08
059	0511062438	SEAT SUPPORT		01
060	0503019416	RIVET SCREW THREAD INTERNAL		07
061	0501011600	1/2" X 1-1/4" BOLT		02
062	0503012682	1/2" BSW NUT		02
063	0541015142	SLEVE GUIDE		02
064	0511066467	DEFLECTOR		04
065	0503019413	THREAD SCREW INTERNAL		04
066	0503010431	1/8" CABLO STEEL STAPLE		08
067	0501081198	1/4 X 390 HOSE		04
068	0503012776	1/8" NF NIPPLE		04
069	0531013919	GREASE FITTING FIXER		04
070	0503010002	1800 GREASE FITTING		04
071	0541016207	LEVER BODY		02
072	0531010630	0.5" X 1.4" COUPLING SHAFT		02
073	0503010300	5/32" X 1" COTTERPIN		02
074	0511062436	INTER ARM/DISARMENT		02
075	0503010257	1/8" X 1" COTTERPIN		04
076	0503030198	0.6" X 2.4" X 0.1" EXTENSION SPRING		02
077	0502011953	3.7 X 1.1 REEL		01
078	0511066448	BICA DRIVERS		02
079	0511067201	BICA LONG DRIVERS		02
080	0511066615	DIRECT SOCKET		02
081	0531012562	GUARD BRACKET		04
082	0541016206	ASSEMBLE AND DISASSEMBLE RATCHET		02
083	0503060816	SET LABEL ADHESIVE		01
084	0503031859	ADHESIVE LABEL DANGER		04
085	0503031428	READ MANUAL DECAL		01
086	0503031827	LUBRICATE AND RETIGHTEN DAILY DECAL		01
087	0503031087	ADHESIVE LABEL		01
088	0503031652	ADHESIVE LABEL		01
089	0503031688	ADHESIVE LABEL		01
090	0503031818	ADHESIVE LABEL		01



Item	Code	Description	See page	QT
091	0503031809	ADHESIVE LABEL		01
092	0503031427	ADHESIVE LABEL		01
093	0503034003	SERIAL NUMBER TAG 61 X 118		01
094	0503032949	ADHESIVE LABEL		01
095	0503010001	3.2 X 5.5 RIVET		04
096	0503030751	REGULATOR PLATE		01
097	0503012209	RIVET POP		04
098	0501068989	COUPLING SHAFT		01
099	0503031035	HITCH PIN CLIP		01
100	0501050829	CHAIN TENSIONER		01
101	0501012140	FLAT WASHER		12
102	0503013150	1300 X 3/8 CHAIN		01
103	0581011220	COUPLING SHAFT		01
104	0503010131	3/16" X 1-1/2" COTTERPIN		01
105	0531010059	7.1" X 3.3" X 0.1" PROTECTION		02
106	0531010273	RUBBER SUPPORT FIXER COVER		02
107	0531010467	1/8" X 255" STEEL CABLE		02
108	0531017384	RATCHET PROTECTION		01
109	0503012779	STEEL CONDUCTOR CABLE 1/8"		02
110	0503031651	AMORT SEAT ASSY		01
111	0503032137	SAFETY BELT		01
112	0511066458	LH SLUICE VALVE COVER		01
113	0511066457	RH SLUICE VALVE COVER		01
114	0511066450	LEFT CONTROLLER		01
115	0511066449	RIGHT CONTROLLER		01
116	0501053157	LEVER BOX CABLE STEEL	23	01
117	0511048566	STAINLESS STEEL		02
118	0581016925	PRISONER		02
119	0581018030	DISASSEMBRE AXLE		02
120	0503010140	1/8" X 3/4" COTTERPIN		02
121	0581018034	REEL		02
122	0581018035	AXLE PULLEY		02
123	0503013814	1/4" NC LOCKNUT		02
124	0581018047	STRETCHER SPINDLE FIXER		01
125	0503030093	TRACTION SPRING		02
126	0581018031	REAR PROTECTION		02
127	0581018033	REAR PROTECTION FIXER SUPPORT		02
128	0503010256	3/8" X 3/4" BOLT		11
129	0503034731	SCRAPER		02
130	0521053728	FIXER BEARING	24	02
131	0511033357	BAG WITH CATALOG		01
132	0501056429	SET SUPER REDUCTION	26	01
133	0581017500	REAR LATERAL PROTECTION BELT		01
134	0521068820	REAR LATERAL PROTECTION BELT		01
135	0591016133	COVER PROTECTION AXLE		01
136	0581017468	PROTECTION BODY		01
137	0581017488	LOWER PROTECTION BOARD CARDAN		01
138	0541018667	FRONT COVER		01
139	0501069840	REAR COVER PROTECTION		01
140	0591011524	PROTECTION COVER		01
141	0591011525	UPPER COVER		01
142	0521012365	HEX PRISONER		03
143	0501013518	FLAT WASHER		04
144	0531050025	ASSY MANUAL DOOR	27	01
145	0503036144	MAXIMUM SPEED ADHESIVE LABEL		01

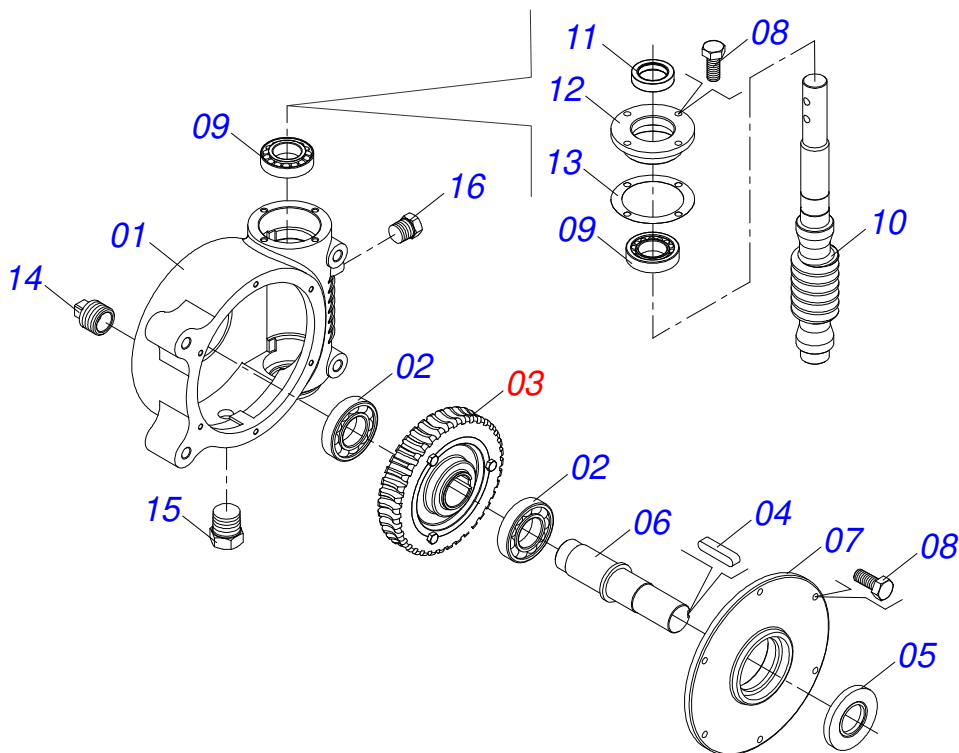


Item	Code	Description	See page	QT
01	0502011959	10Z P 1.50" GEAR		04
02	0503010361	SPRING PIN		04
03	0503010899	5/8 UNC X 2.1/4 BOLT		04
04	0503010013	5/8 NUT		04
05	0541018271	FLANGE AXLE TRANSMISSION		02
06	0501019734	FLAT WASHER		04
07	0501110334	GEAR 10Z ASSY		02
08	0503010740	BOLT 1/2 UNC X 2 CS G.5 ZN		08
09	0541016213	BEARING CHUCK REAR SIDE		02
10	0501010794	HIDR CHOCK REGULATOR		04
11	0511017302	FLAT WASHER 13,50 X 32,50 X 3,0 ZN		15
12	0503011440	SPRING WASHER		23
13	0503010060	1/2 UNC G.5 ZN HEX NUT		23
14	0501067853	ROD STABILIZER		04
15	0503010013	5/8 NUT		04
16	0503010002	1800 GREASE FITTING		01
17	0501010540	KEYWAY SQUARE		02
18	0511016540	MAT COUPLING FLANGE		01
19	0511016541	REDUCTION COUPLING FLANGE		01
20	0503010849	3/8" X 1-1/2" BOLT		02
21	0503011443	3/8" SPRING WASHER		02
22	0503010026	3/8" NUT		02
23	0501047985	REDUCER	4	01
24	0503011167	M16 X 2 X 30 BOLT		04
25	0511062450	47Z P0.6" GEAR		01
26	0503011268	3/8" X 2-1/2" BOLT		02
27	0503010026	3/8" NUT		10
28	0503010751	C3/8" X 1.1/4" HEX BOLT G.5		02
29	0503011443	3/8" SPRING WASHER		04
30	0511041213	AGRICULTURAL BEARING	6	02
31	0521011063	TRANSMISSION AXLE		01

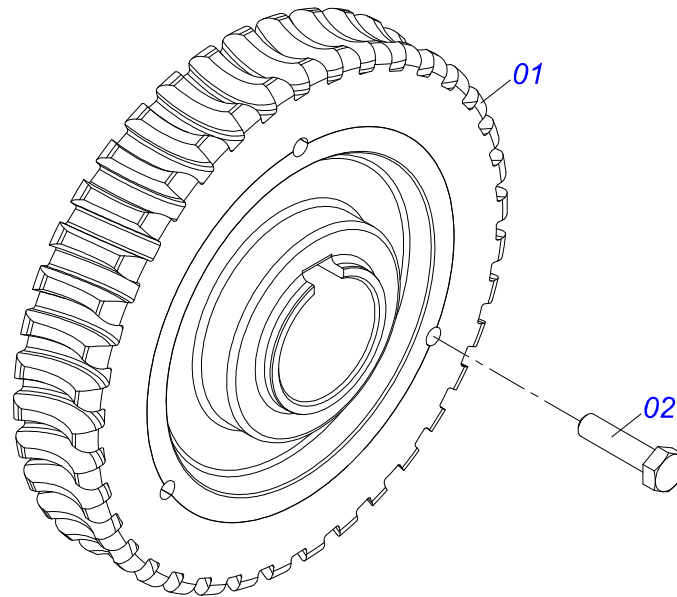


BUCKET

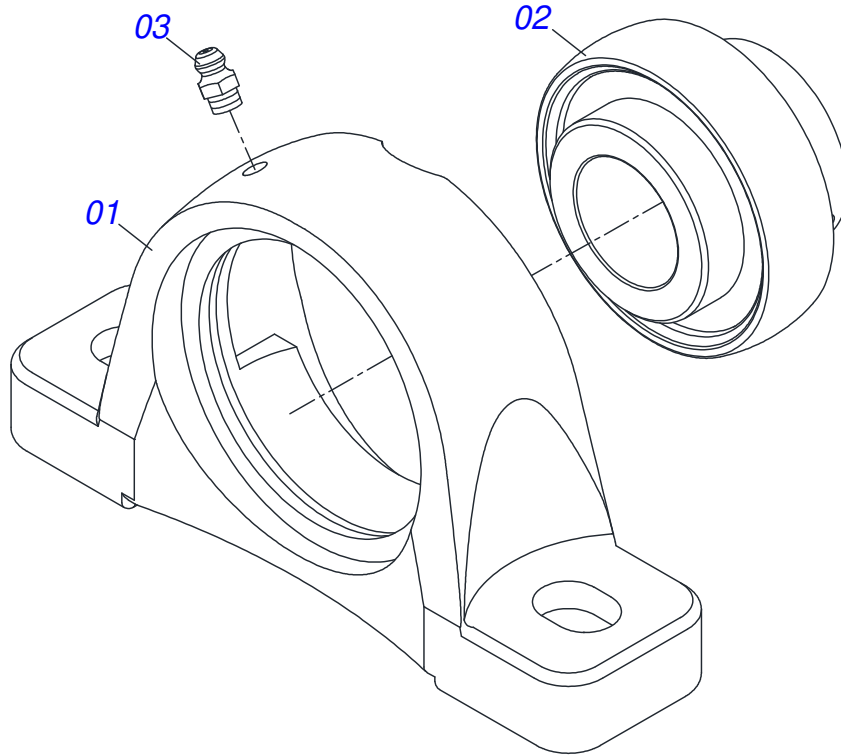
Item	Code	Description	See page	QT
32	0501010536	KEYWAY SQUARE		01
33	0502011361	REEL 1C 5.5" X 1.1" PULLEY		01
34	0511014052	FLAT WASHER		01
35	0503010355	7/16" X 1" BOLT		01
36	0503011446	SPRING WASHER		01
37	0511062447	17Z P0.6" GEAR		01
38	0503011268	3/8" X 2-1/2" BOLT		01
39	0511041213	AGRICULTURAL BEARING	6	01
40	0503011082	C1/2" X 1.3/4" SCREW		02
41	0503010920	1/2 UNC X 1.1/2 C S G.5 ZN BOLT		13
42	0511062420	STEEL SUPPORT CABLE		01
43	0503011102	BOLT 7/16 UNC X 1.1/4 C S G.5 ZN		02
44	0503011135	BOLT		02
45	0503011446	SPRING WASHER		04
46	0503010244	7/16" NUT		04
47	0521012443	TRANSMISSION AXLE		01
48	0501046802	BELT TENSIONER ASSY	7	01
49	0503010361	SPRING PIN		02
50	0521068793	TRACTOR TRACTOR		01
51	0521010681	BUSHING COUPLING BODY		01
52	0521010639	COUPLING SHAFT		01
53	0503010571	1/4" X 1.1/2 COTTERPIN		01
54	0503011098	1/4" GREASE FITTING		04
55	0503011445	SPRING WASHER		16
56	0501012140	FLAT WASHER		08
57	0501069017	12Z GEAR		01
58	0501044308	AGRICULTURAL BEARING ASSY	8	02
59	0501044308	AGRICULTURAL BEARING ASSY	8	02
60	0531010168	MOTOR SHAFT		01
61	0541016212	HITCH STEEL CABLE		02
62	0502012327	10Z GEAR		02
63	0502012340	10Z GEAR		02
64	0501053159	DISTRIBUTOR RIGHT DISC ASSY	9	01
65	0501053160	DISTRIBUTOR LEFT DISC ASSY	10	01
66	0501056183	RIGHT BEARING SUPPORT DISC	11	01
67	0501056184	LEFT BEARING SUPPORT DISC	12	01
68	0503012102	CREASE FITTING		01
69	0501010536	KEYWAY SQUARE		02
70	0531010253	FLAT WASHER		02
71	0503010391	501038 CLAMPING RING (FOR AXLE)		02
72	0511060909	PROTECTION REAR SUPPORT FIXER		01
73	0541016205	DCA-DC AXLE		02
74	0521068822	BEARING PROTECTION		03
75	0503010237	3/8" X 1" BOLT		02
76	0503011443	3/8" SPRING WASHER		02
77	0501013518	FLAT WASHER		02
78	0511016579	WASHER		01
79	0501010984	10,50 X 27 X 3,00 FLAT WASHER		02
80	0521068821	SUPPORT BELT PROTECTION		01
81	0531060297	PROTECTION REAR		01
82	0501053163	MAT VALVE RIGHT ASSY	14	01
83	0501053164	MAT VALVE LEFT ASSY	15	01
84	0511066466	BUCKET		01
85	0501044306	BATH BEARING	17	01
86	0521053161	CARDAN SUPPORT WITHOUT SPRING	16	01



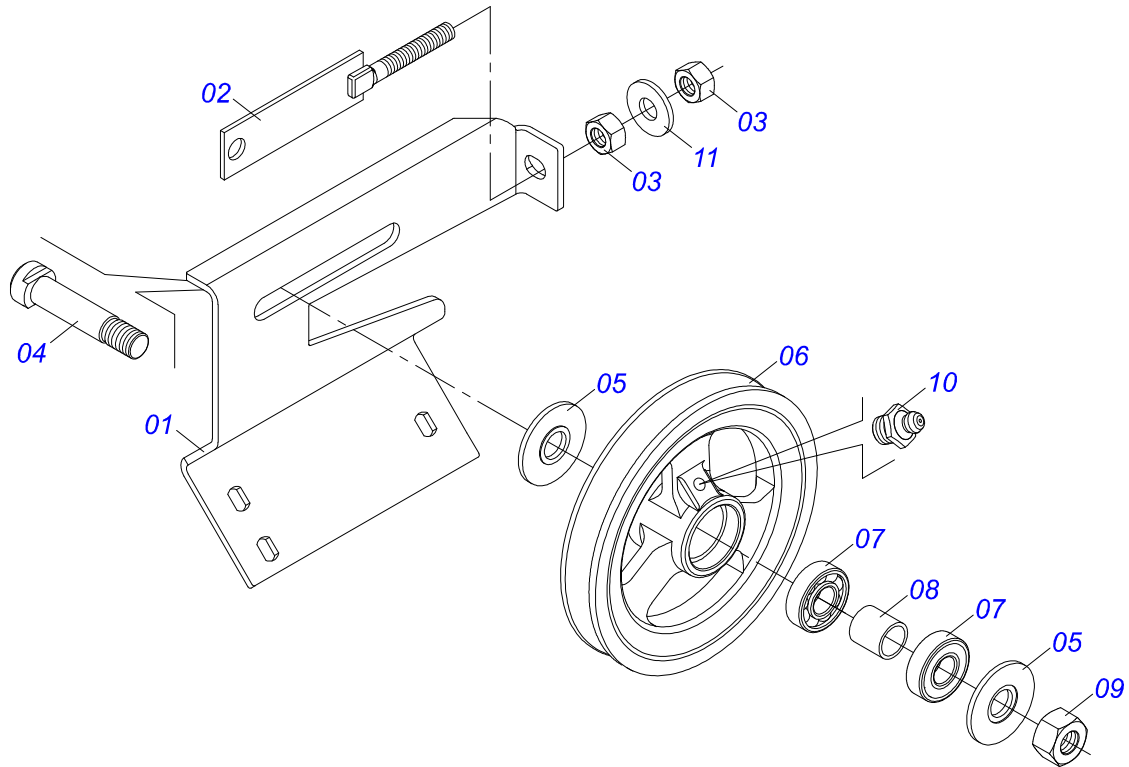
Item	Code	Description	See page	QT
01	0502011456	REDUCTION BOX		01
02	0503011095	6208 BALL BEARING		02
03	0501051774	38Z CROWN	5	01
04	0503011304	1/2" X 2.4" KEYWAY SQUARE		01
05	0503010818	02675-BRG SEAL		01
06	0521010996	AXLE		01
07	0502020556	LARGER COVER		01
08	0503010240	BOLT		10
09	0503010016	BEARING LM		02
10	0521010997	SCREW THEAD		01
11	0503011171	00912-BRG SEAL		01
12	0502011457	SMALLER COVER		01
13	0503030981	102 X 75,5 X 0,10 JOINT		01
14	0521011023	PLUG		01
15	0513010009	LEVEL DISPLAY		01
16	0503010856	OIL PLUG		01



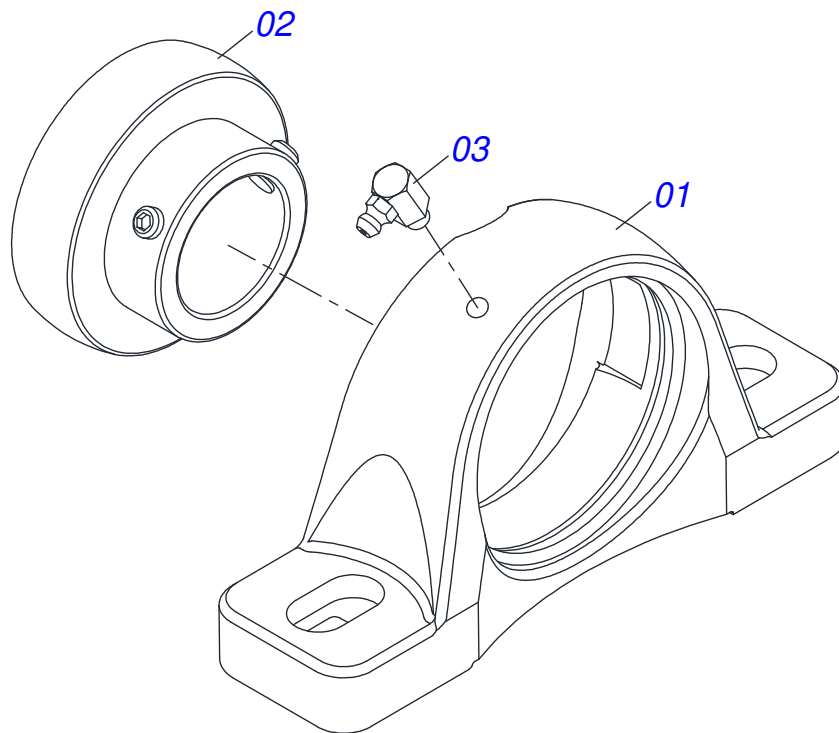
Item	Code	Description	See page	QT
01	0501110280	38Z CONICAL		01
02	0503010365	BOLT 5/16 UNC X 1.1/4 C S G.5 ZN		03



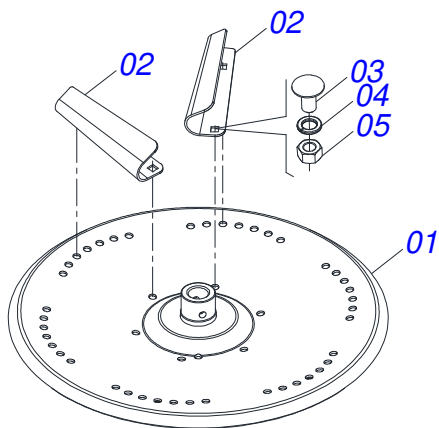
Item	Code	Description	See page	QT
01	0502011954	AGRICULTURAL HOUSING BEARING		01
02	0503011884	BALL BEARING		01
03	0503010691	1/4" GREASE FITTING		01



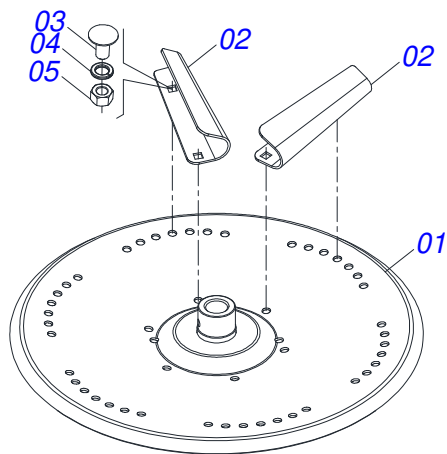
Item	Code	Description	See page	QT
01	0501066100	SUPPORT		01
02	0501065968	1C X 8.3 PULLEY TENSIONER		01
03	0503010013	5/8 NUT		02
04	0511012362	TIGHTENER AXLE PULLEY		01
05	0501019288	WASHER SPACER		02
06	0502011366	REEL 1C 8.3" X 1.6" PULLEY		01
07	0503010690	6204 BALL BEARING		02
08	0521010497	0.8" X 1.1" X 1.1" SPACER		01
09	0503010014	3/4" HEX NUT		01
10	0503010002	1800 GREASE FITTING		01
11	0501012140	FLAT WASHER		01



Item	Code	Description	See page	QT
01	0502011050	AGRICULTURAL HOUSING BEARING		01
02	0503011163	1108/UCR BEARING ASSY		01
03	0503010004	1890 GREASE FITTING		01

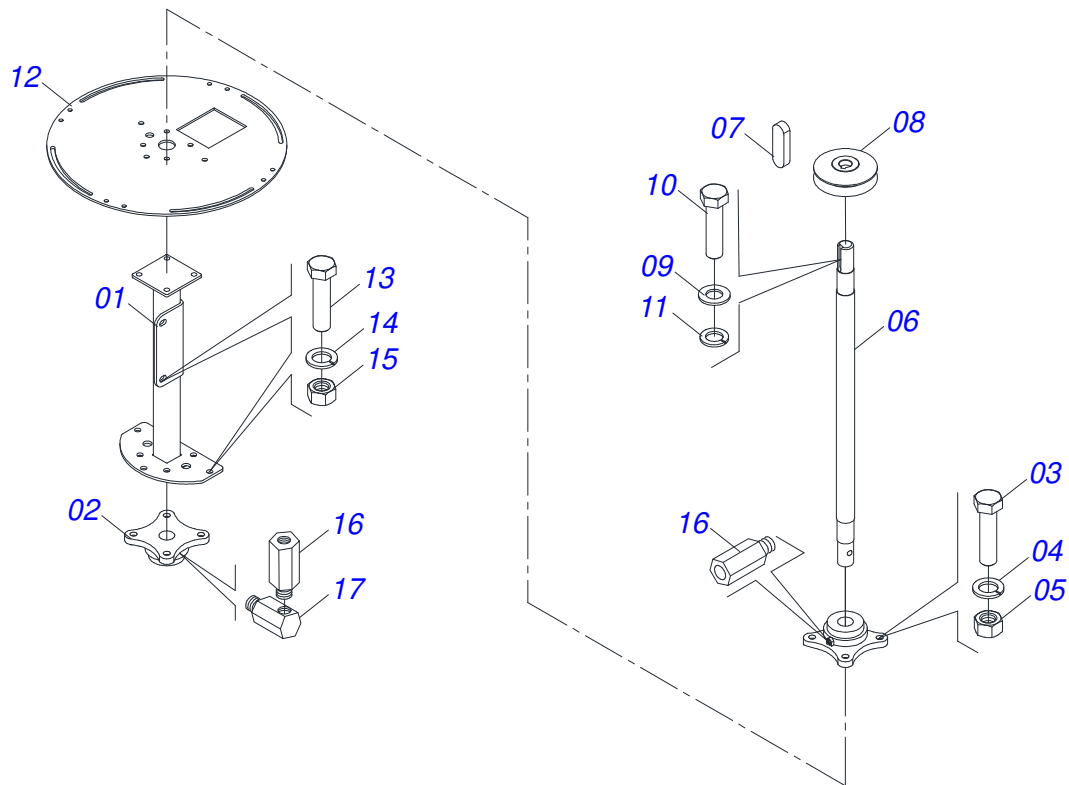


Item	Code	Description	See page	QT
01	0511062433	DISTRIBUTOR DISC		01
02	0521018637	LEFT FLIP		06
03	0503013029	3/8" X 3/4" BOLT		12
04	0503011443	3/8" SPRING WASHER		12
05	0503010026	3/8" NUT		12

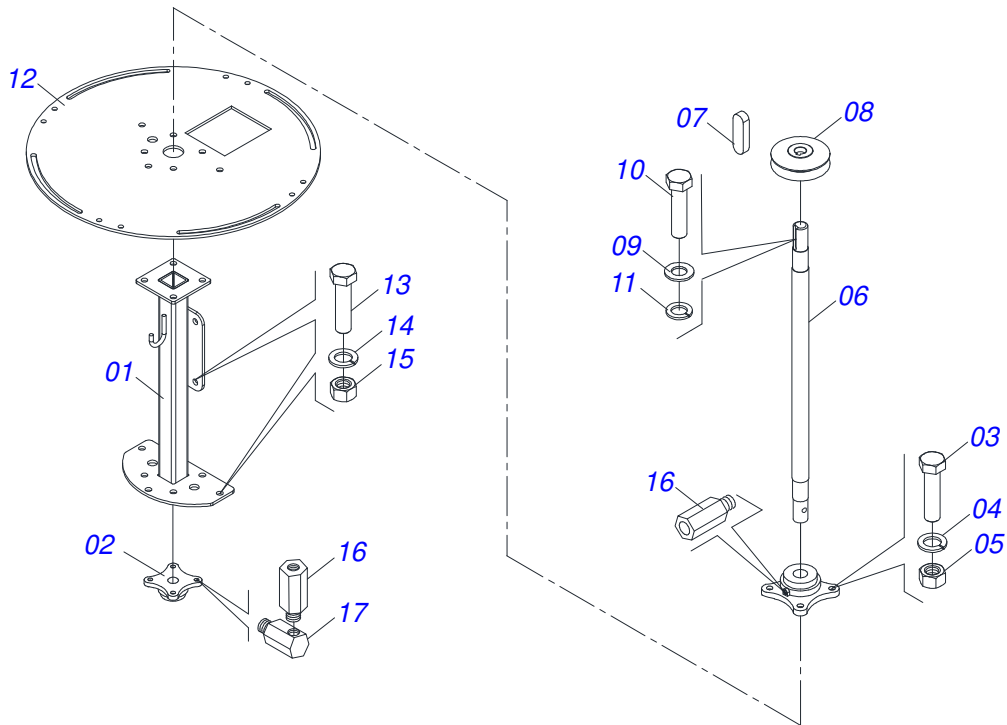


Item	Code	Description	See page	QT
01	0511062433	DISTRIBUTOR DISC		01
02	0521018638	LH FLIP		06
03	0503013029	3/8" X 3/4" BOLT		12
04	0503011443	3/8" SPRING WASHER		12
05	0503010026	3/8" NUT		12

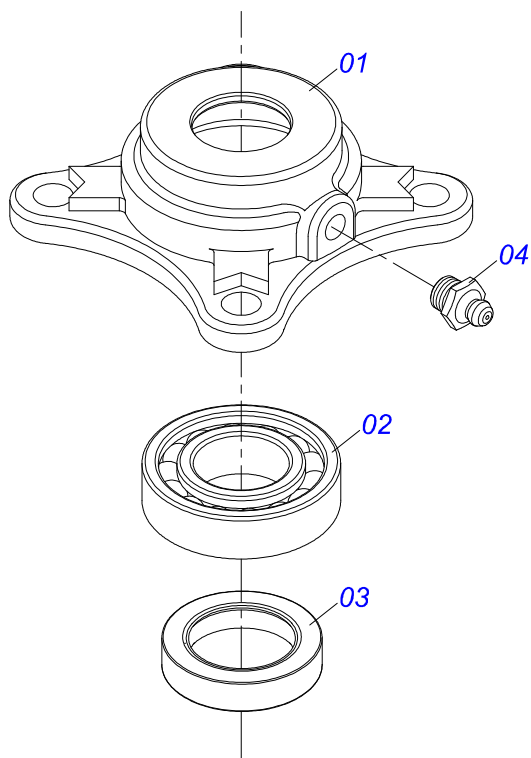




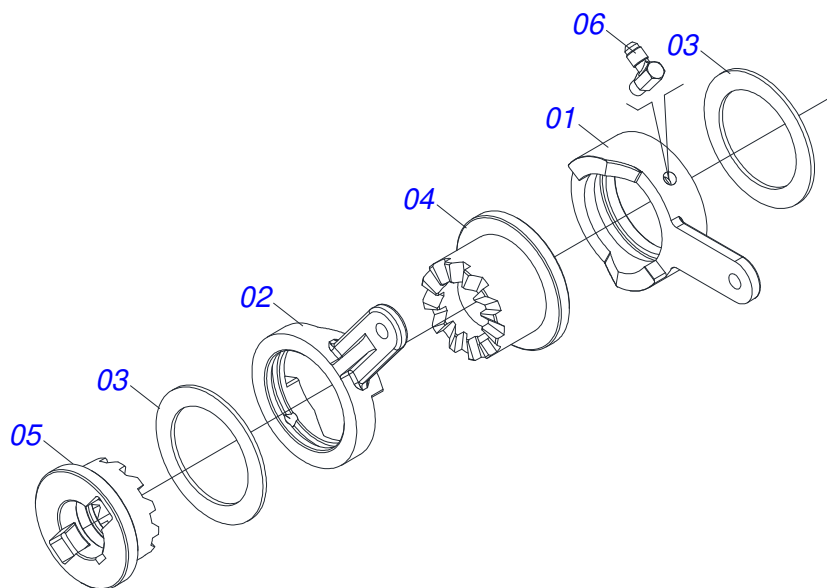
Item	Code	Description	See page	QT
01	0511066462	SUPPORT DISC DISTRIBUTOR RIGHT		01
02	0501048000	AGRICULTURAL BEARING	13	02
03	0503011102	BOLT 7/16 UNC X 1.1/4 C S G.5 ZN		08
04	0503011446	SPRING WASHER		08
05	0503010244	7/16" NUT		08
06	0531010187	DISTRIBUTOR AXLE CONDUCTOR DISC		01
07	0501010536	KEYWAY SQUARE		01
08	0502011361	REEL 1C 5.5" X 1.1" PULLEY		01
09	0511014052	FLAT WASHER		01
10	0503010355	7/16" X 1" BOLT		01
11	0503011446	SPRING WASHER		01
12	0541016208	SUPPORT BODY		01
13	0503010920	1/2 UNC X 1.1/2 C S G.5 ZN BOLT		02
14	0503010019	1/2" SPRING WASHER		03
15	0503010060	1/2 UNC G.5 ZN HEX NUT		03
16	0501019757	EXTENSION GREASE FITTING		01
17	0541016211	EXTENSION GREASE FITTING 1/8 BSP X 34		01



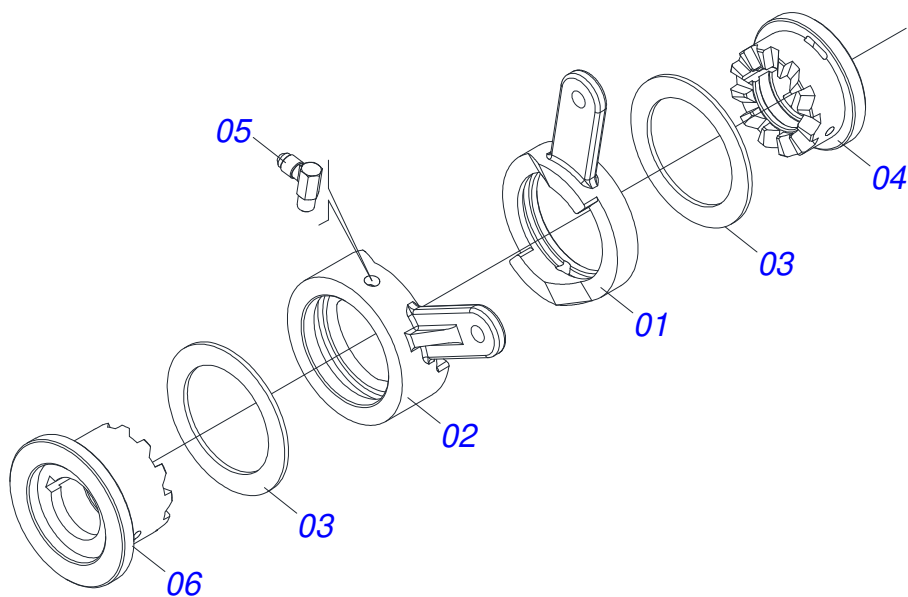
Item	Code	Description	See page	QT
01	0511066461	SUPPORT DISC DISTRIBUTOR LEFT		01
02	0501048000	AGRICULTURAL BEARING	13	02
03	0503011102	BOLT 7/16 UNC X 1.1/4 C S G.5 ZN		08
04	0503011446	SPRING WASHER		08
05	0503010244	7/16" NUT		08
06	0531010187	DISTRIBUTOR AXLE CONDUCTOR DISC		01
07	0501010536	KEYWAY SQUARE		01
08	0502011361	REEL 1C 5.5" X 1.1" PULLEY		01
09	0511014052	FLAT WASHER		01
10	0503010355	7/16" X 1" BOLT		01
11	0503011446	SPRING WASHER		01
12	0541016208	SUPPORT BODY		01
13	0503011102	BOLT 7/16 UNC X 1.1/4 C S G.5 ZN		02
14	0503011446	SPRING WASHER		03
15	0503010244	7/16" NUT		03
16	0501019757	EXTENSION GREASE FITTING		01
17	0541016211	EXTENSION GREASE FITTING 1/8 BSP X 34		01



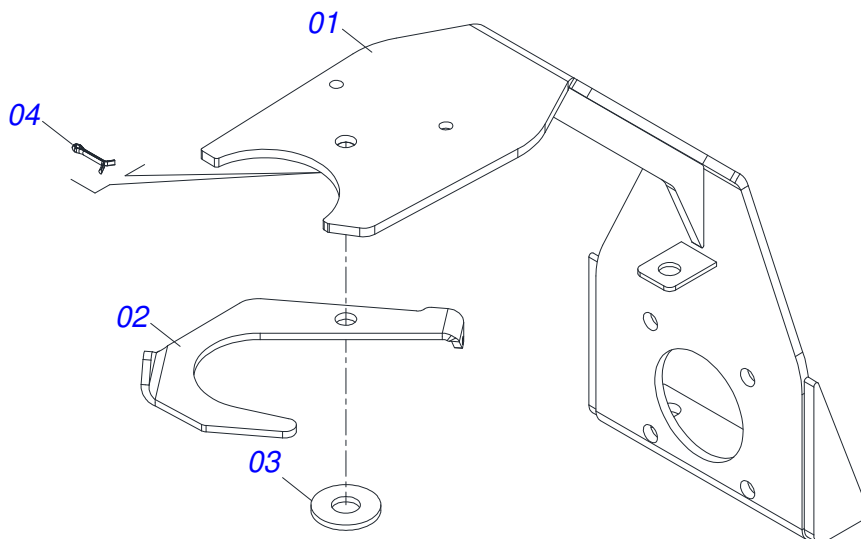
Item	Code	Description	See page	QT
01	0502011442	AGRICULTURAL HOUSING BEARING		01
02	0503010276	6206 BALL BEARING		01
03	0503011865	SEAL		01
04	0503010002	1800 GREASE FITTING		01



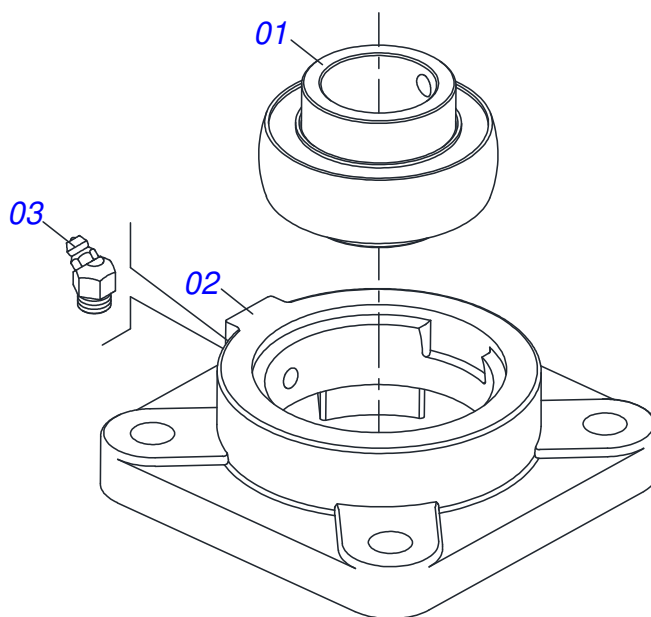
Item	Code	Description	See page	QT
01	0502011962	LEFT CAM,LARGER		01
02	0502011964	LEFT CAM, SMALLER		01
03	0501019734	FLAT WASHER		02
04	0502011917	RIGHT RATCHET LARGER		01
05	0502011916	SMALLE RIGHT RATCHET		01
06	0503012777	90G ELBOW		02



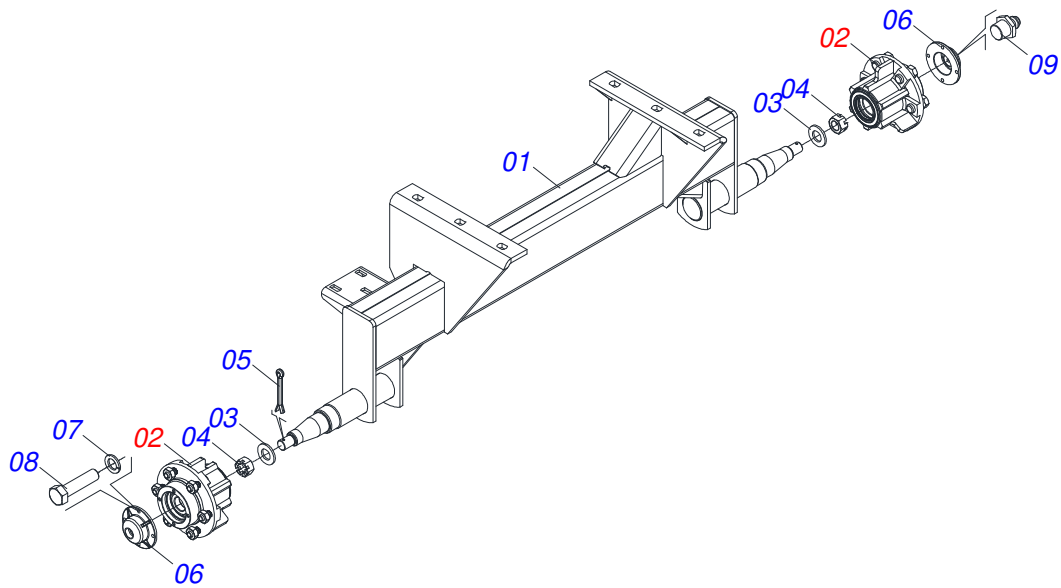
Item	Code	Description	See page	QT
01	0502011963	RIGHT CAM,SMALLER		01
02	0502011961	RIGHT CAM,LARGER		01
03	0501019734	FLAT WASHER		02
04	0502011955	SMALLE LEFT RATCHET		01
05	0503012777	90G ELBOW		02
06	0502011956	LARGER LEFT RATCHET		01



Item	Code	Description	See page	QT
01	0521068817	SUPPORT SUSTENANCE CARDAN		01
02	0511014066	CARDAN SMALLE SUPPORT		01
03	0511017302	FLAT WASHER 13,50 X 32,50 X 3,0 ZN		01
04	0503010257	1/8" X 1" COTTERPIN		01

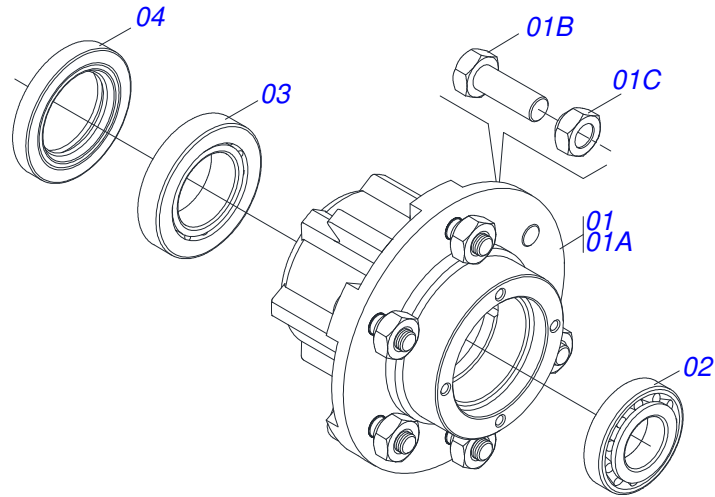


Item	Code	Description	See page	QT
01	0503011162	BALL BEARING		01
02	0503011146	HOUSING BEARING		01
03	0503011099	GREASE FITTING		01

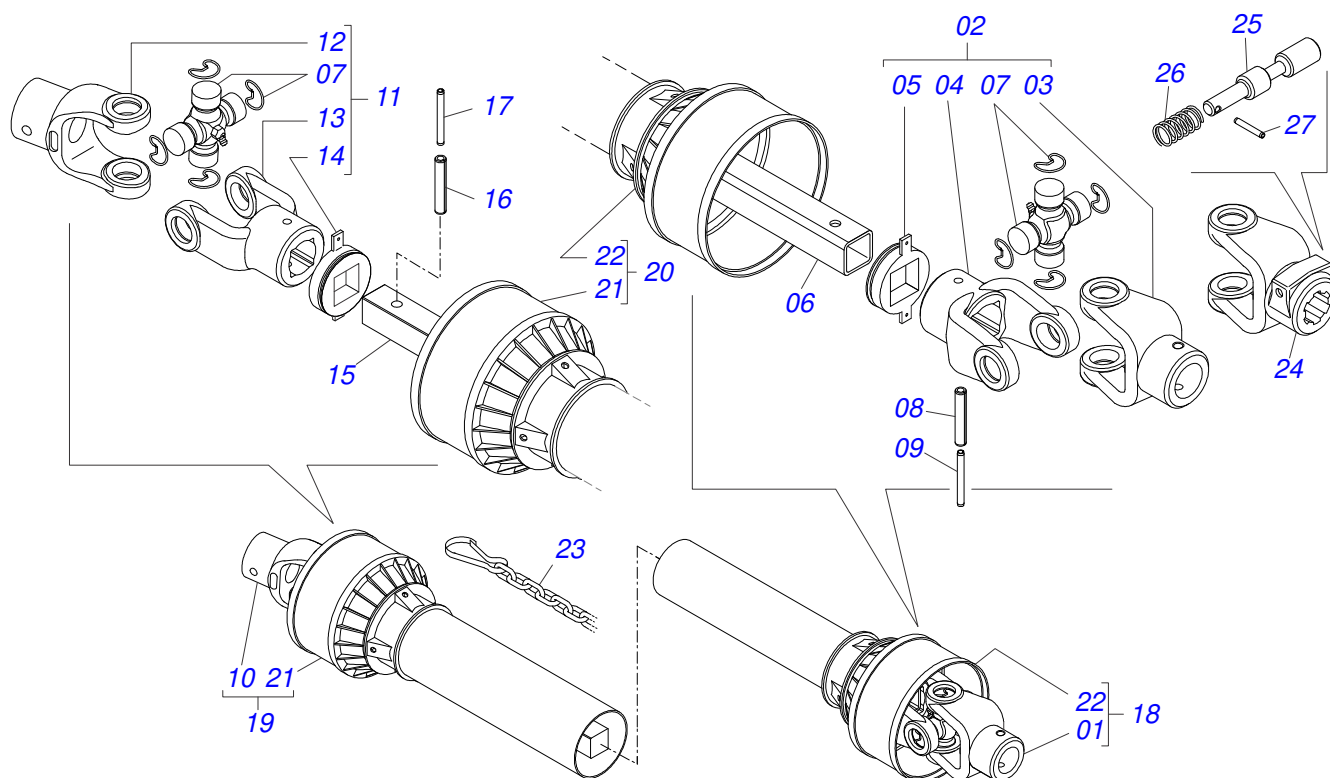


Item	Code	Description	See page	QT
01	0511061233	CARRYING-WHEEL FIXATION SUPPORT		01
02	0501051142	CARRYING WHEEL HUB	19	02
03	0511017480	FLAT WASHER		02
04	0503030009	1" CASTLE NUT		02
05	0503010018	5/32 X 1-1/2 COTTERPIN		02
06	0502020591	PROTECCION COVER		02
07	0503010179	LOCK WASHER 5/16 ZN 1K01528		08
08	0503010358	5/16" X 5/8" BOLT		08
09	0503010002	1800 GREASE FITTING		02

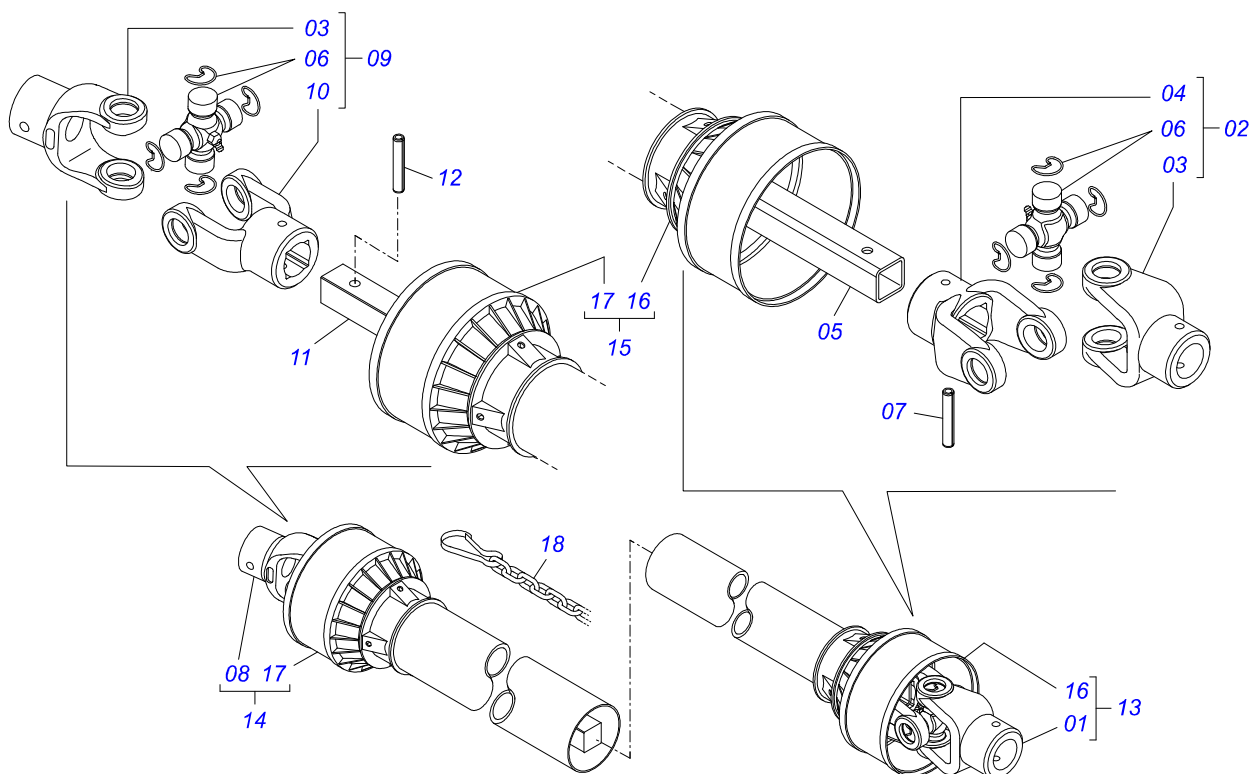




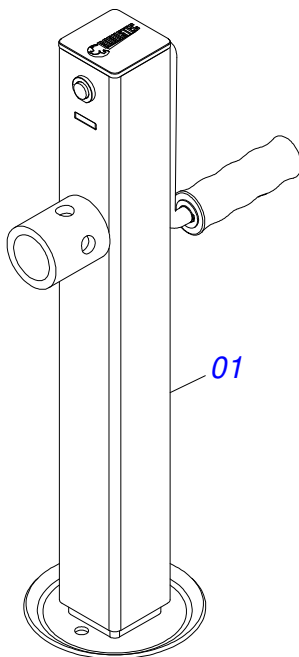
Item	Code	Description	See page	QT
01	0501110728	WHEEL HUB		01
01A	0502011121	CARRYING WHEEL HUB		01
01B	0501010127	9/16" X 1-7/8" LUG BOLT		06
01C	0503010035	9/16" CONIC NUT		06
02	0503010037	30207 ROLLER BEARING		01
03	0503010006	32210 ROLLER BEARING		01
04	0503012928	SEAL		01



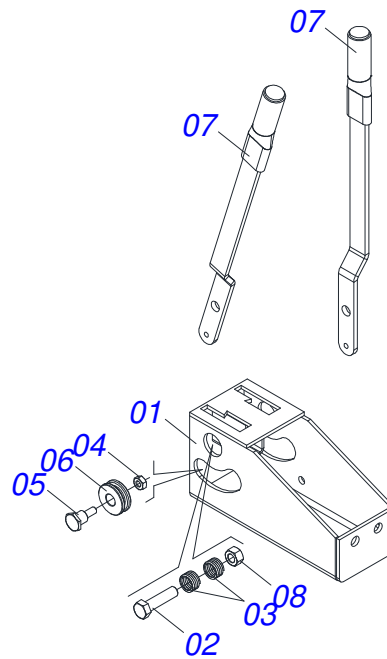
Item	Code	Description	See page	QT
01	0501052176	SLEEVE UNIVERSAL JOINT	01	01
02	0501050265	UNIVERSAL JOINT	01	01
03	0501050333	1-40 TERMINAL WITH HITCH	01	01
04	0502010565	2-40 TERMINAL WITH SH 1.5"/1.5"	01	01
05	0503012069	ADAPTER FOR BUSHING PROTECT	01	01
06	0521013800	16" X 1.4" SQUARE SLEEVE	01	01
07	0503010836	CARDAN CROSSPIECE	02	01
08	0503011069	0.4" X 2.8" SPRING PIN	01	01
09	0503010510	0.2" X 2.6" SPRING PIN	01	01
10	0501052177	AXLE UNIVERSAL JOINT	01	01
11	0501052178	UNIVERSAL JOINT	01	01
12	0502011611	9-40 TERMINAL	01	01
13	0502010566	3-40 TERMINAL WITH SH 1.2"/1.2"	01	01
14	0503012070	ADAPTER FOR AXLE PROTECTION	01	01
15	0521013801	1.2" X 15.7" SQUARE SHAFT	01	01
16	0503010361	SPRING PIN	01	01
17	0503010756	0.2" X 2.4" SPRING PIN	01	01
18	0501052179	PROT/SLEEVE UNIVERSAL JOINT	01	01
19	0501052180	PROT/AXLE UNIVERSAL JOINT	01	01
20	0503012277	PROTECTION ASSY	01	01
21	0503012279	PROTECTION FOR UNIV JOINT AND AXLE	01	01
22	0503012278	PROTECTION FOR UNIV JOINT SLEEVE	01	01
23	0503012023	CHAIN FOR PROTECTION	02	01
24	0502010563	1-40 STRIATED 1.3/8" TERMINAL	01	01
25	0521010638	13,70 X 78 HITCH PIN	01	01
26	0503030518	0.5"X1.0"X 0.1" COMPRESSION SPRING	01	01
27	0503010838	0.1" X 0.8" SPRING PIN	01	01



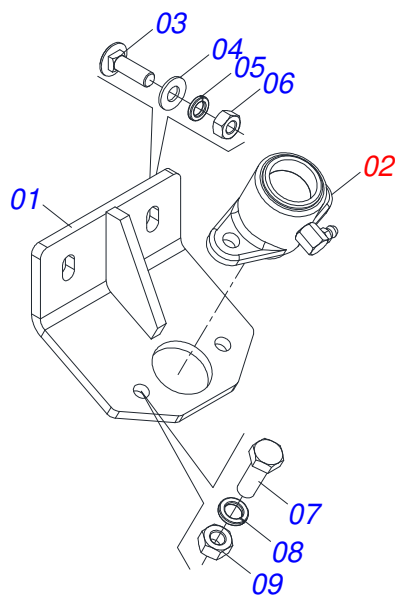
Item	Code	Description	See page	QT
01	0501052160	SLEEVE UNIVERSAL JOINT		01
02	0501051718	UNIVERSAL JOINT		01
03	0502010558	4-20 TERMINAL WITH ROLES		02
04	0502011426	2-20 TERMINAL		01
05	0521013797	0.9"X1.1"X31.5" SQUARE SLEEVE		01
06	0503010835	CARDAN CROSSPICE		02
07	0503010839	03"X 0.6" SPRING PIN		01
08	0501052161	UNIVERSAL JOINT WITH AXLE		01
09	0501051720	UNIVERSAL JOINT		01
10	0502011427	3-20 TERMINAL		01
11	0521013794	0.9" X 31.5 SQUARE SHAFT		01
12	0503010301	0.3" X 1.8" SPRING PIN		01
13	0501052162	PROT/SLEEVE UNIVERSAL JOINT		01
14	0501052163	PROT/AXLE UNIVERSAL JOINT		01
15	0503012268	PROTECTION ASSY		01
16	0503012269	PROTECTION FOR UNIV JOINT SLEEVE		01
17	0503012270	PROTECTION FOR UNIV JOINT AND AXLE		01
18	0503012023	CHAIN FOR PROTECTION		01



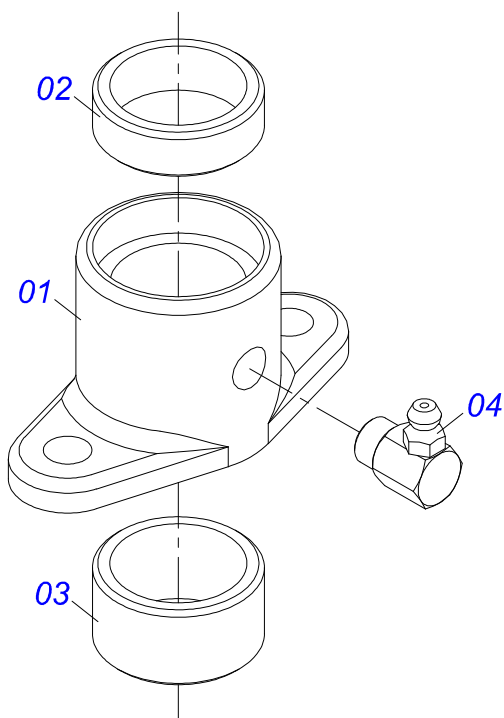
Item	Code	Description	See page	QT
01	0503062157	DRAWBAR JACK	22	01



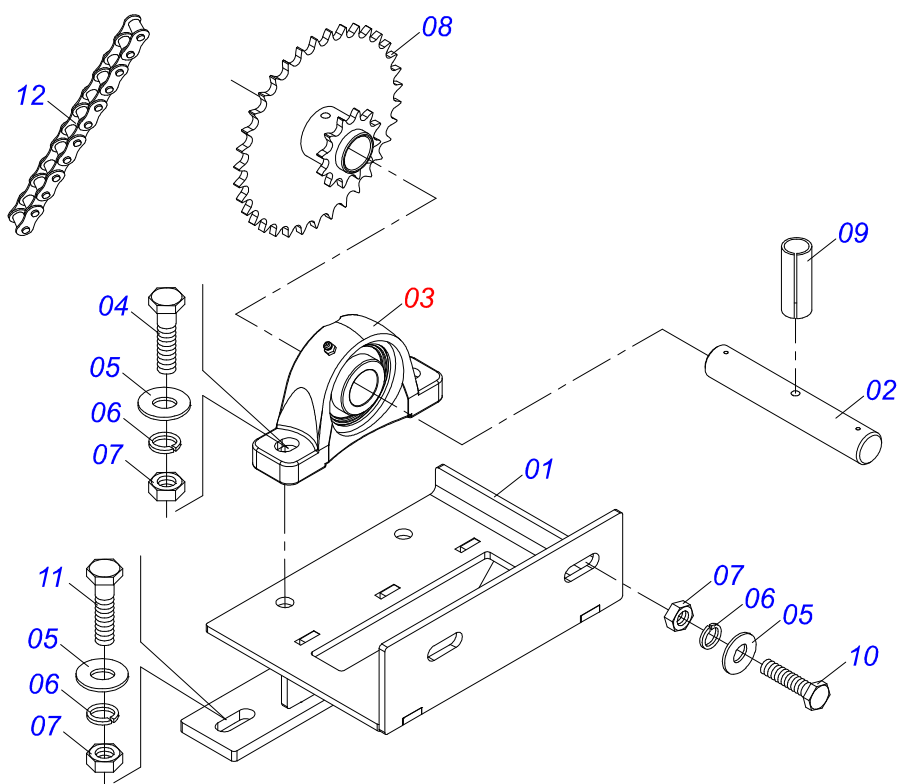
Item	Code	Description	See page	QT
01	0511062435	STEEL BOX LEVER CABLE		01
02	0503010547	1/2" X 4" BOLT		01
03	0503031719	0.7" X 1" X 1,1" COMPRESSION SPRING		02
04	0503013814	1/4" NC LOCKNUT		02
05	0581018035	AXLE PULLEY		02
06	0581018034	REEL		02
07	0531061430	LEVER		02
08	0503011336	1/2" HEX SELF ADJUSTING NUT		01



Item	Code	Description	See page	QT
01	0511066452	SLUICE VALVE FIXER BEARING		01
02	0511059094	SHAFT BEARING THREADED	25	01
03	0503030796	5/16" X 1" BOLT		02
04	0501010694	FLAT WASHER		02
05	0503010179	LOCK WASHER 5/16 ZN 1K01528		02
06	0503010337	5/16" NUT		02
07	0503010371	5/16" X 1" BOLT		02
08	0503011444	SPRING WASHER		02
09	0503010337	5/16" NUT		02

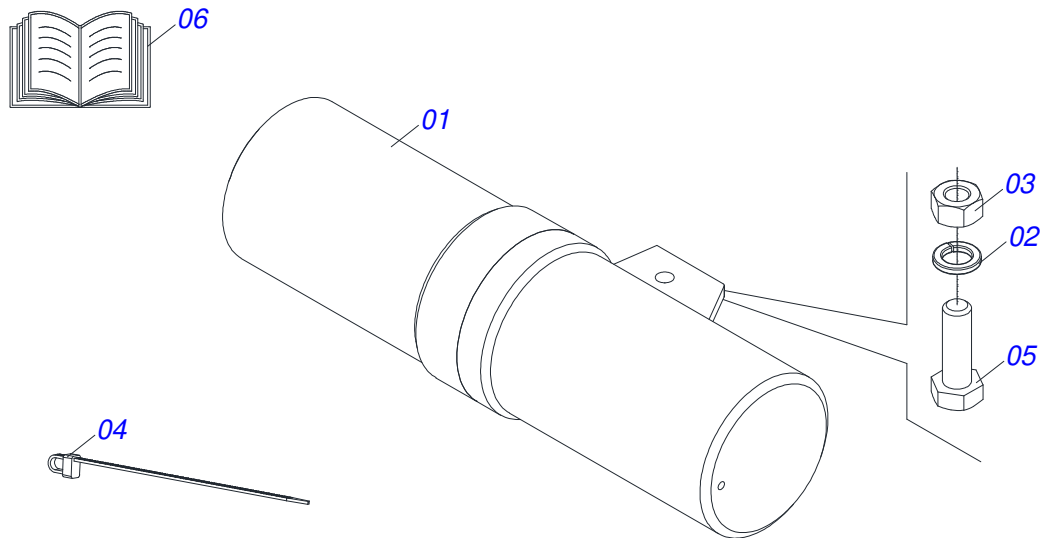


Item	Code	Description	See page	QT
01	0502010581	ROD BEARING		01
02	0521010458	SLEEVE		01
03	0521010457	SLEEVE		01
04	0503010004	1890 GREASE FITTING		01

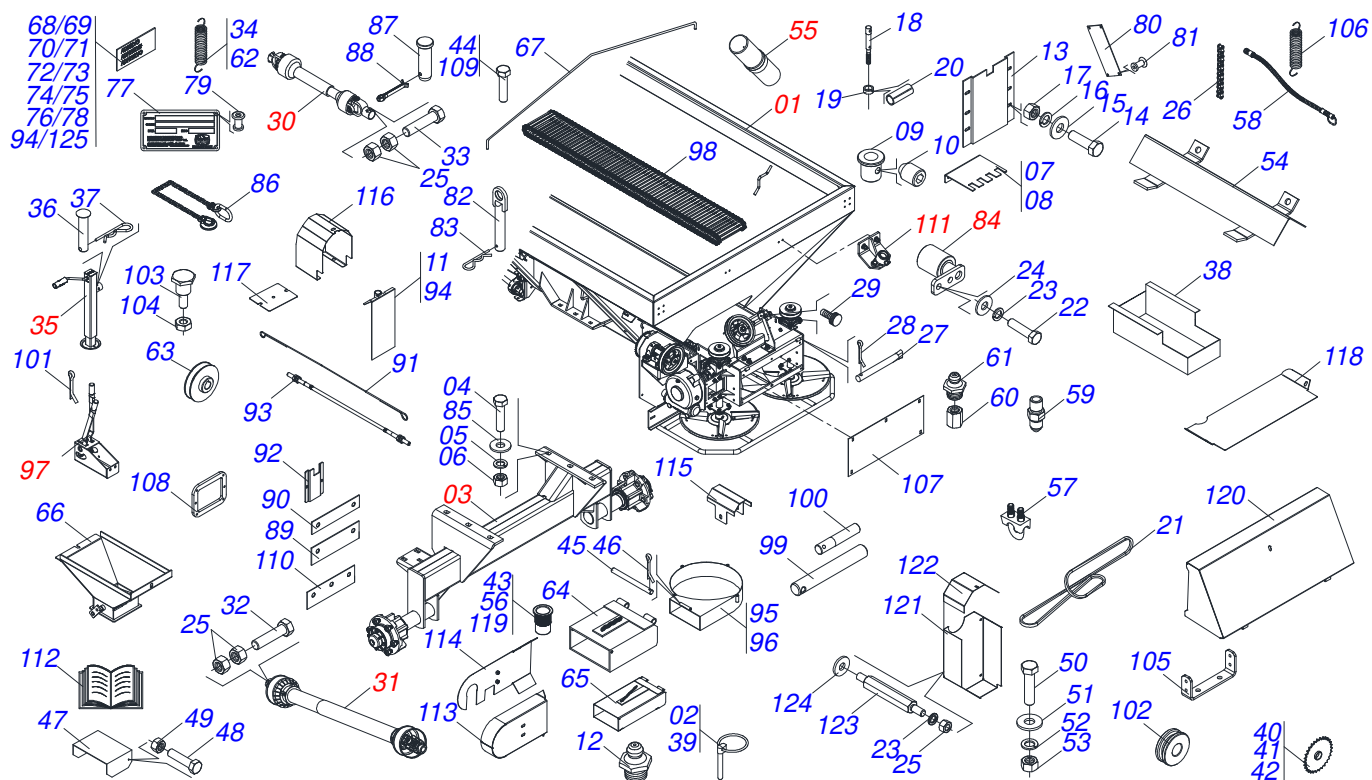


Item	Code	Description	See page	QT
01	0511066460	SUPER REDUCTION		01
02	0531010272	REDUCTION AXLE SUPER		01
03	0511041213	AGRICULTURAL BEARING	6	02
04	0503011082	C1/2" X 1.3/4" SCREW		04
05	0511017302	FLAT WASHER 13,50 X 32,50 X 3,0 ZN		08
06	0503010019	1/2" SPRING WASHER		08
07	0503010060	1/2 UNC G.5 ZN HEX NUT		08
08	0511062364	REDUCTION GEAR SUPER		01
09	0503011855	0.2" X 1.8" SPRING PIN		01
10	0503010395	1/2" X 1-1/4" BOLT		02
11	0503010920	1/2 UNC X 1.1/2 C S G.5 ZN BOLT		02
12	0503012942	50-1 CHAIN X 46 LINK + REDUCTION		01





Item	Code	Description	See page	QT
01	0503060100	INSTRUCTIONS MANUAL CANISTER		01
02	0503010179	LOCK WASHER 5/16 ZN 1K01528		01
03	0503010337	5/16" NUT		01
04	0503010267	NYLON CLAMP		01
05	0503010363	BOLT 5/16 UNC X 1 C S G.2 ZN		01
06	0501090640	INSTRUCTION MANUAL		01

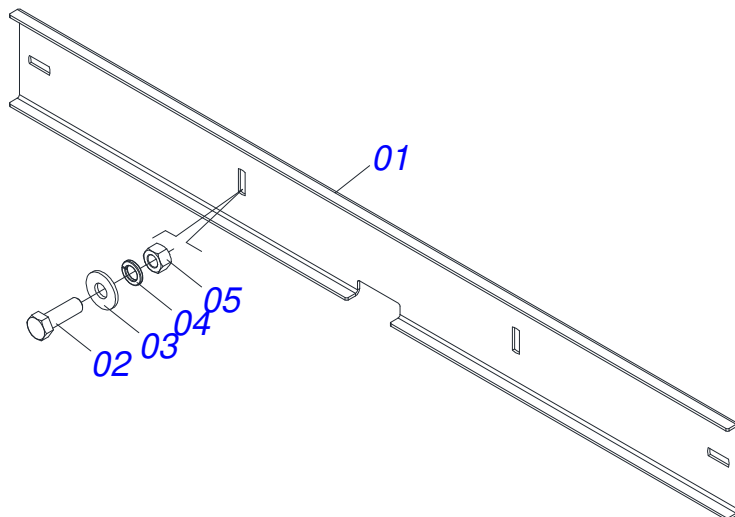


Item	Code	Description	See page	QT
001	0501056265	BUCKET	3	01
002	0503030085	LOCK PIN		01
003	0501049243	CARRYING-WHEEL FIXATION SUPPORT	18	01
004	0503010899	5/8 UNC X 2.1/4 BOLT		06
005	0503010027	5/8 SPRING WASHER		06
006	0503010013	5/8 NUT		06
007	0541016209	RH TOOTH COVER		01
008	0541016210	LH TOOTH COVER		01
009	0541016204	ADJUSTMENT NUT DCA-DC		02
010	0503011148	3/8" X 1/2" BOLT		02
011	0511066457	RH SLUICE VALVE COVER		01
012	0503010002	1800 GREASE FITTING		04
013	0531017187	SLUICE VALVE GUIDE		02
014	0503011953	5/16" X 1" BOLT		22
015	0501010694	FLAT WASHER		22
016	0503010179	LOCK WASHER 5/16 ZN 1K01528		22
017	0503010337	5/16" NUT		22
018	0511066468	REGULATOR BOLT		02
019	0511013015	SLEEVE		02
020	0503010561	SPRING PIN		02
021	0503010154	C-128 BELT		01
022	0503010237	3/8" X 1" BOLT		17
023	0503010025	3/8 SPRING WASHER		37
024	0501010984	10,50 X 27 X 3,00 FLAT WASHER		25
025	0503010026	3/8" NUT		37
026	0503013002	50-1 CHAIN X 81 LINK + MENDING + REDUCTION		01
027	0501017574	0.3" X 2.7" AXLE		02
028	0503010140	1/8" X 3/4" COTTERPIN		02
029	0503010386	CABLE		01
030	0501048241	DRIVE SHAFT	20	01
031	0501048409	DRIVE SHAFT	21	01

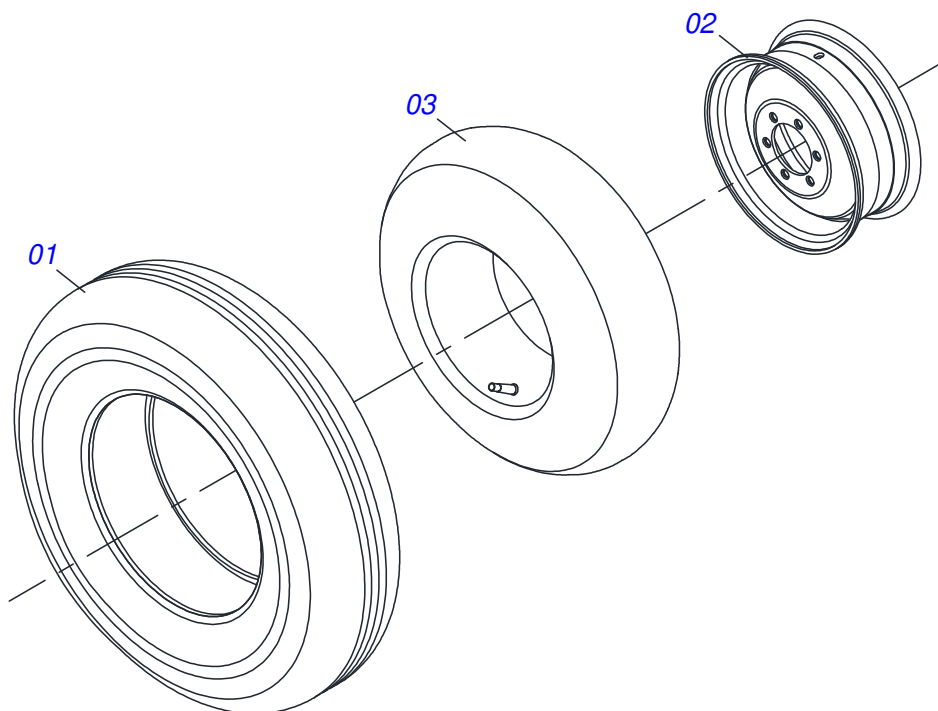


Item	Code	Description	See page	QT
032	0503011268	3/8" X 2-1/2" BOLT		02
033	0503010765	3/8" X 3" BOLT		01
034	0503030198	0.6" X 2.4" X 0.1" EXTENSION SPRING		01
035	0503062157	DRAWBAR JACK	22	01
036	0521010549	COUPLING SHAFT		01
037	0503030168	HITCH PIN CLIP		01
038	0511062421	COLLECCION BOX		01
039	0503030085	LOCK PIN		11
040	0511062448	26Z P0.6" GEAR		02
041	0501069020	35Z GEAR		02
042	0511062449	40Z P0.7" GEAR		01
043	0503019729	THREAD SCREW INTERNAL		04
044	0503010751	C3/8" X 1.1/4" HEX BOLT G.5		04
045	0531010081	0.6" X 10.8" AXLE		02
046	0503010257	1/8" X 1" COTTERPIN		04
047	0541016214	BODY ADJUSTMENT HEIGHT		02
048	0503013813	1/4" UNC X 7/8" BOLT		04
049	0503010144	1/4" NUT		08
050	0503010395	1/2" X 1-1/4" BOLT		04
051	0511017302	FLAT WASHER 13,50 X 32,50 X 3,0 ZN		04
052	0503010019	1/2" SPRING WASHER		04
053	0503010060	1/2 UNC G.5 ZN HEX NUT		08
054	0511066467	DEFLECTOR		04
055	0531050025	ASSY MANUAL DOOR	27	01
056	0503019413	THREAD SCREW INTERNAL		04
057	0503010431	1/8" CABLE STEEL STAPLE		08
058	0501081198	1/4 X 390 HOSE		04
059	0503012776	1/8" NF NIPPLE		04
060	0531013919	GREASE FITTING FIXER		04
061	0503010002	1800 GREASE FITTING		04
062	0503030198	0.6" X 2.4" X 0.1" EXTENSION SPRING		02
063	0502011953	3.7 X 1.1 REEL		01
064	0511066448	BICA DRIVERS		02
065	0511067201	BICA LONG DRIVERS		02
066	0511066615	DIRECT SOCKET		02
067	0531012562	GUARD BRACKET		04
068	0503060816	SET LABEL ADHESIVE		01
069	0503031859	ADHESIVE LABEL DANGER		04
070	0503031428	READ MANUAL DECAL		01
071	0503031827	LUBRICATE AND RETIGHTEN DAILY DECAL		01
072	0503031087	ADHESIVE LABEL		01
073	0503031652	ADHESIVE LABEL		01
074	0503031688	ADHESIVE LABEL		01
075	0503031818	ADHESIVE LABEL		01
076	0503031809	ADHESIVE LABEL		01
077	0503034003	SERIAL NUMBER TAG 61 X 118		01
078	0503032949	ADHESIVE LABEL		01
079	0503010001	3.2 X 5.5 RIVET		04
080	0503030751	REGULATOR PLATE		01
081	0503012209	RIVET POP		04
082	0501068989	COUPLING SHAFT		01
083	0503031035	HITCH PIN CLIP		01
084	0501050829	CHAIN TENSIONER		01
085	0501012140	FLAT WASHER		12
086	0503013150	1300 X 3/8 CHAIN		01
087	0581011220	COUPLING SHAFT		01
088	0503010131	3/16" X 1-1/2" COTTERPIN		01
089	0531010059	7.1" X 3.3" X 0.1" PROTECTION		02
090	0531010273	RUBBER SUPPORT FIXER COVER		02

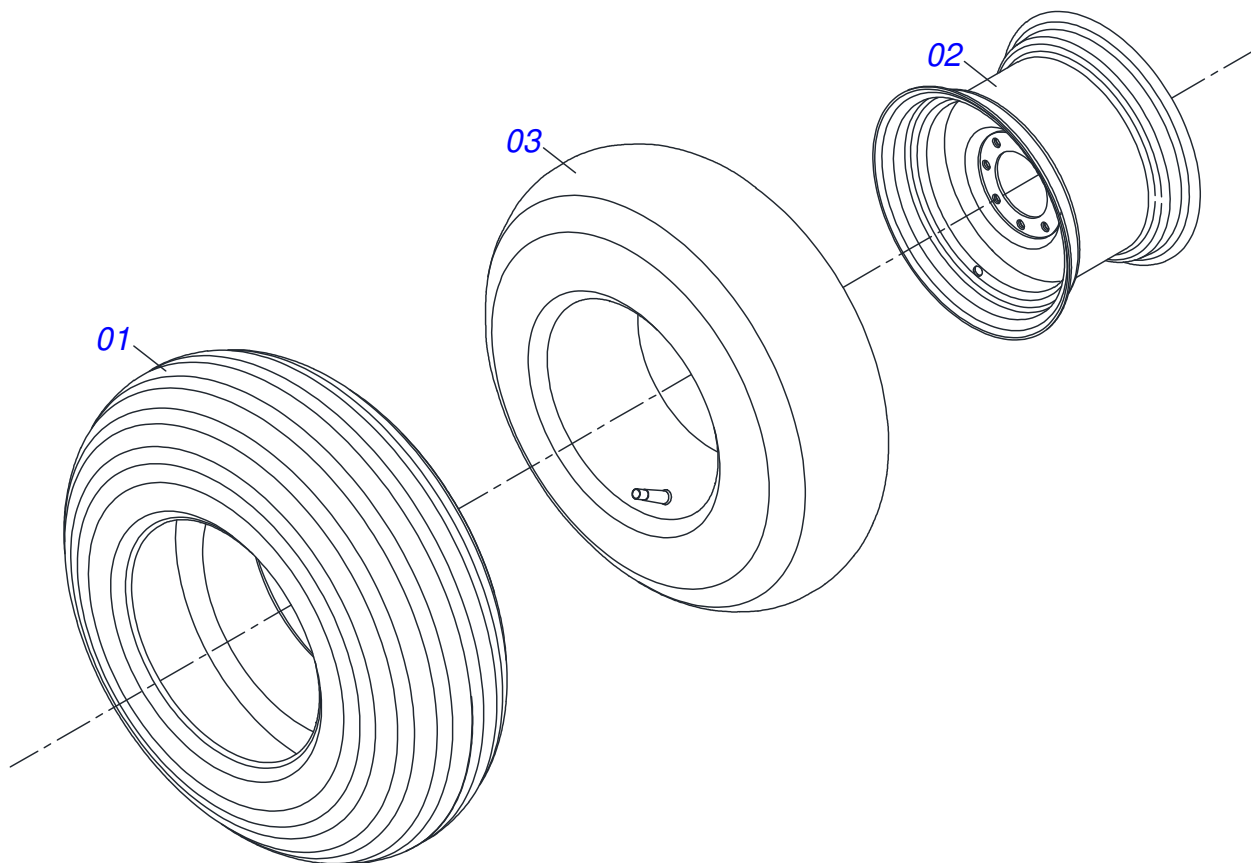
Item	Code	Description	See page	QT
091	0531010467	1/8" X 255" STEEL CABLE		02
092	0531017384	RATCHET PROTECTION		01
093	0503012779	STEEL CONDUCTOR CABLO 1/8"		02
094	0511066458	LH SLUICE VALVE COVER		01
095	0511066450	LEFT CONTROLLER		01
096	0511066449	RIGHT CONTROLLER		01
097	0501053157	LEVER BOX CABLE STEEL	23	01
098	0511048566	STAINLESS STEEL		02
099	0581016925	PRISONER		02
100	0581018030	DISASSEMBRE AXLE		02
101	0503010140	1/8" X 3/4" COTTERPIN		02
102	0581018034	REEL		02
103	0581018035	AXLE PULLEY		02
104	0503013814	1/4" NC LOCKNUT		02
105	0581018047	STRETCHER SPINDLE FIXER		01
106	0503030093	TRACTION SPRING		02
107	0581018031	REAR PROTECTION		02
108	0581018033	REAR PROTECTION FIXER SUPPORT		02
109	0503010256	3/8" X 3/4" BOLT		10
110	0503034731	SCRAPER		02
111	0521053728	FIXER BEARING	24	02
112	0511033357	BAG WITH CATALOG		01
113	0581017500	REAR LATERAL PROTECTION BELT		01
114	0521068820	REAR LATERAL PROTECTION BELT		01
115	0591016133	COVER PROTECTION AXLE		01
116	0581017468	PROTECTION BODY		01
117	0581017488	LOWER PROTECTION BOARD CARDAN		01
118	0541018667	FRONT COVER		01
119	0503019416	RIVET SCREW THREAD INTERNAL		07
120	0501069840	REAR COVER PROTECTION		01
121	0591011524	PROTECTION COVER		01
122	0591011525	UPPER COVER		01
123	0521012365	HEX PRISONER		03
124	0501013518	FLAT WASHER		04
125	0503036144	MAXIMUM SPEED ADHESIVE LABEL		01



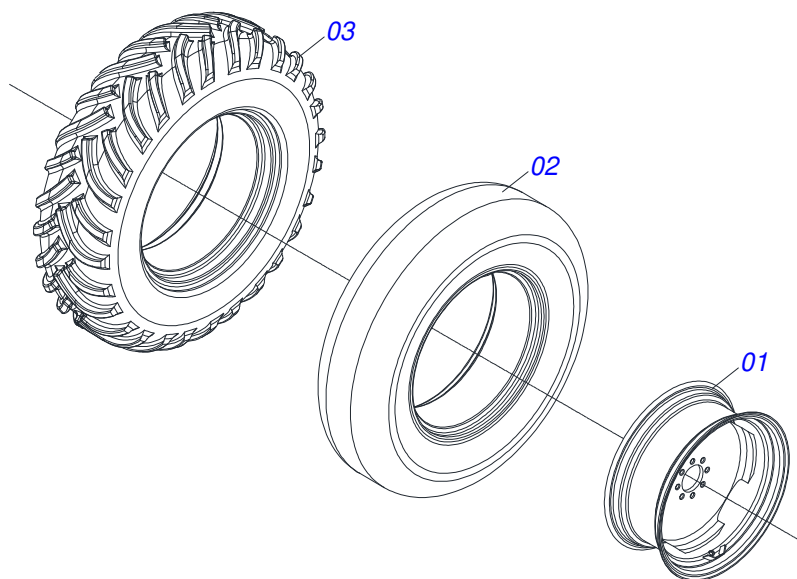
Item	Code	Description	See page	QT
01	0501019838	BAMPER		01
02	0503010920	1/2 UNC X 1.1/2 C S G.5 ZN BOLT		02
03	0511017302	FLAT WASHER 13,50 X 32,50 X 3,0 ZN		02
04	0503010019	1/2" SPRING WASHER		02
05	0503010060	1/2 UNC G.5 ZN HEX NUT		02



Item	Code	Description	See page	QT
01	0503010120	CANVAS TIRE		01
02	0521062708	WHEEL 5,50 X 16 X 118 X 6F 16,50 X 152,40		01
03	0503010033	7.50 X 16 INNER TIRE		01



Item	Code	Description	See page	QT
01	0503010858	CANVAS TIRE		01
02	0503011468	WEEL		01
03	0503010860	AIR CHAMBER 11L 15		01



Item	Code	Description	See page	QT
01	0521060321	WHEEL WITH CENTER		01
02	0503010860	AIR CHAMBER 11L 15		01
03	0503033713	TIRE 12 X 16,5/12L TR SK 900		01







**MARCHESAN**

**Technical Publications | Elaboration and Revision**

LORENA ROCHA ALVES

[www.marchesan.com.br](http://www.marchesan.com.br)

