

CHASER BIN

DCA2 10500 MC

Code: 0501093166
Series: S-0303
Revision: 01
Date Revision: FEVEREIRO/2023

PARTS CATALOGUE



MARCHESAN



PRODUCTS

Code	Description	
0109090049	DCA2 1050 MC	S-0303

ATTENTION: IMPORTANT

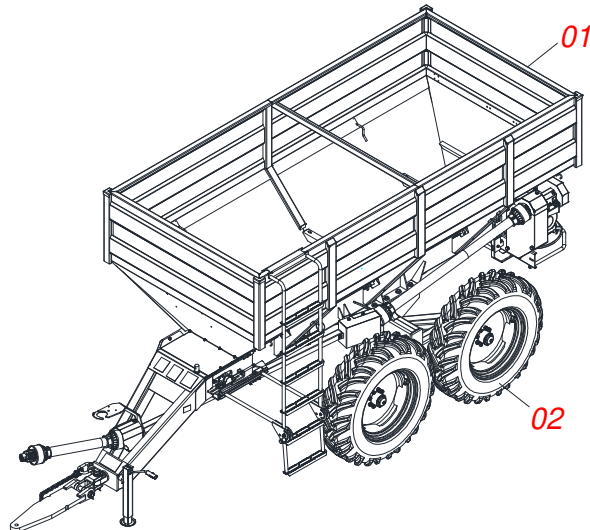
Marchesan S.A. reserves the right to improve and/or modify the technical features of its products, without obligation to do the same with those products already sold and without prior knowledge of the dealer or the customer. The photos are only illustrative.



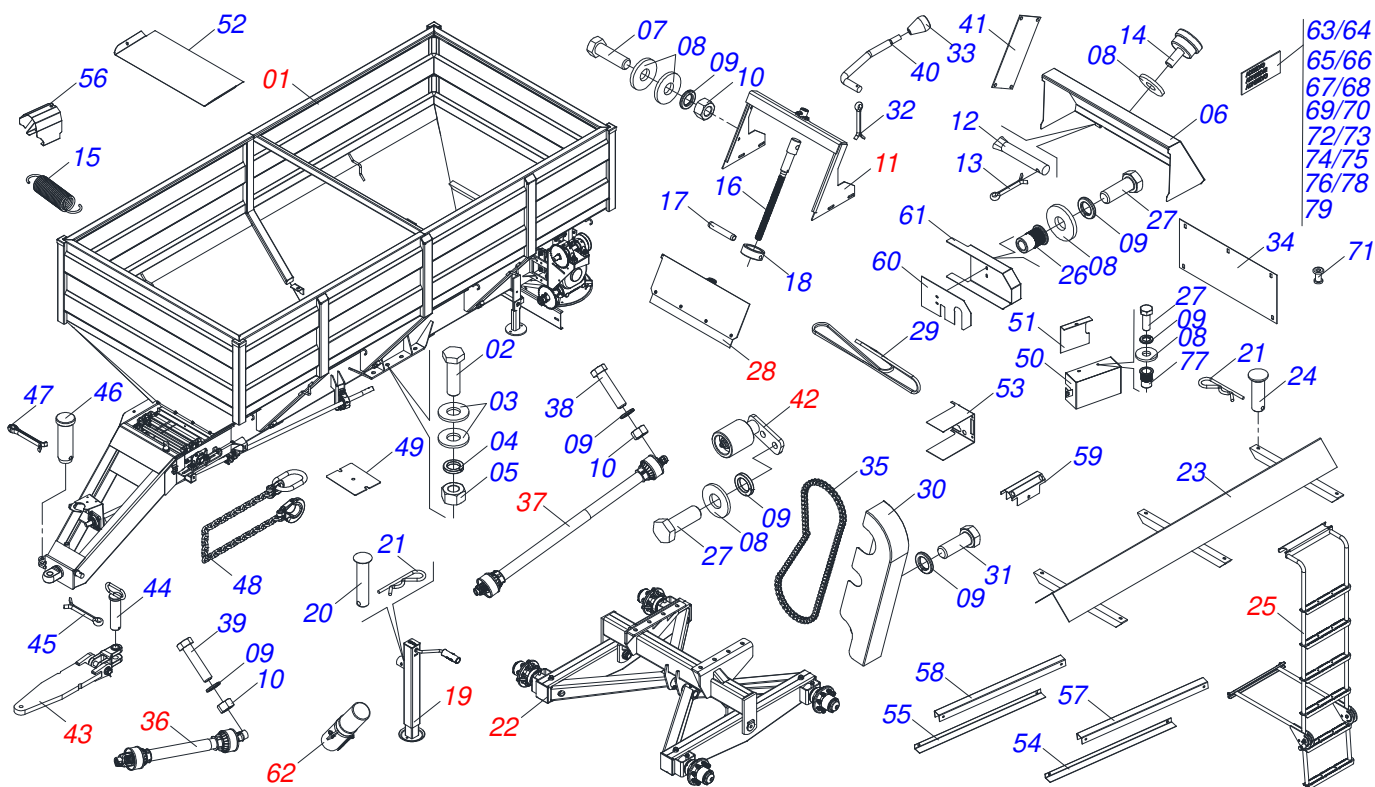
MARCHESAN

INDEX

0909096087	ASSY FRAME	1
0511041596	ASSY FRAME	2
0501054846	SLUICE VALVE SUPPORT	3
0511059094	SHAFT BEARING THREADED	4
0503062157	DRAWBAR JACK	5
0511042281	BELL CRANK FIXER SUPPORT	6
0501056347	CARRYING WHEELS WITHOUT TIRE	7
0511059633	ASSY LADDER	8
0501054847	SLUICE VALVE COVER ASSY	9
0511043330	DRIVE SHAFT	10
0501048200	DRIVE SHAFT	11
0501050829	CHAIN TENSIONER	12
0511059024	ENGATE TRATOR COMPLETO	13
0531050090	DRAWBOLT ASSY	14
0501054613	DCA2 10500 MC BUCKET	15
0511059305	REAR PROTECTION WITH MINOR PROTECTOR	16
0501044308	AGRICULTURAL BEARING ASSY	17
0501047985	REDUCER	18
0501051774	38Z CROWN	19
0501046802	BELT TENSIONER ASSY	20
0501051782	RIGHT BEARING SUPPORT DISC	21
0501051783	LEFT BEARING SUPPORT DISC	22
0501048000	AGRICULTURAL BEARING	23
0501051972	DISTRIBUTOR RIGHT DISC ASSY	24
0501051973	DISTRIBUTOR LEFT DISC ASSY	25
0511041213	AGRICULTURAL BEARING	26
0521053161	CARDAN SUPPORT WITHOUT SPRING	27
0501044306	BATH BEARING	28
0531050244	PROTECTOR DISC	29
0511059223	WHEEL WITH LEFT SIDE TIRE	30
0511059222	WHEEL WITH TIRE RIGHT SIDE	31



Item	Code	Description	See page	QT
01	0511041596	ASSY FRAME	2	01
02	0511059223	WHEEL WITH LEFT SIDE TIRE	30	02
02.	0511059222	WHEEL WITH TIRE RIGHT SIDE	31	02



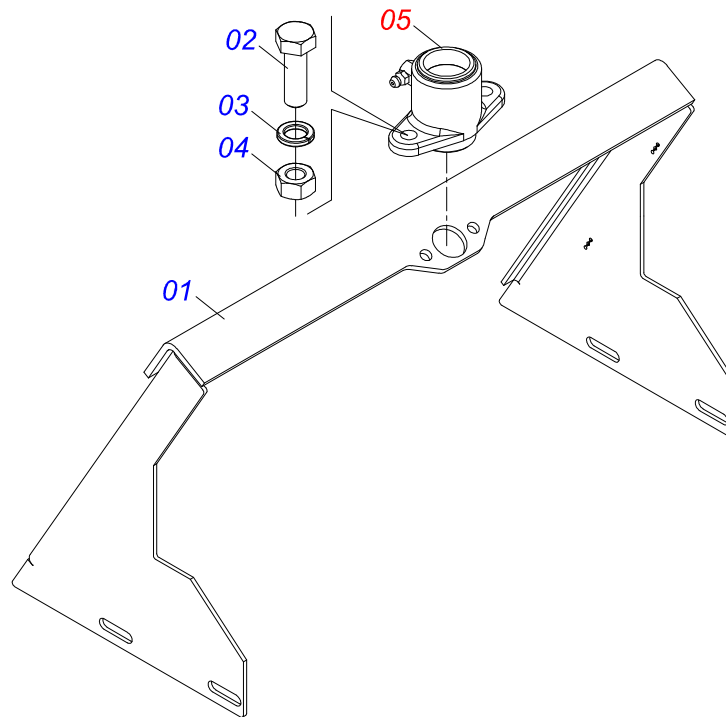
Item	Code	Description	See page	QT
01	0501054613	DCA2 10500 MC BUCKET	15	01
02	0501010125	3/4" X 2-1/2" BOLT		08
03	0501010322	FLAT WASHER		16
04	0503010023	3/4" SPRING WASHER		08
05	0503010014	3/4" HEX NUT		08
06	0501069840	REAR COVER PROTECTION		01
07	0503010751	C3/8" X 1.1/4" HEX BOLT G.5		04
08	0501010984	10,50 X 27 X 3,00 FLAT WASHER		16
09	0503010025	3/8 SPRING WASHER		18
10	0503010026	3/8" NUT		14
11	0501054846	SLUICE VALVE SUPPORT	3	01
12	0501017574	0.3" X 2.7" AXLE		02
13	0503010140	1/8" X 3/4" COTTERPIN		02
14	0503010386	CABLE		01
15	0503030198	0.6" X 2.4" X 0.1" EXTENSION SPRING		01
16	0561014861	REGULATOR		01
17	0511013015	SLEEVE		01
18	0503010561	SPRING PIN		01
19	0503062157	DRAWBAR JACK	5	01
20	0521010549	COUPLING SHAFT		01
21	0503030168	HITCH PIN CLIP		07
22	0511042281	BELL CRANK FIXER SUPPORT	6	01
23	0511064692	DEFLECTOR		01
24	0521017623	0.5" X 1.5" COUPLING SHAFT		06
25	0511059633	ASSY LADDER	8	01
26	0503019413	THREAD SCREW INTERNAL		04
27	0503010237	3/8" X 1" BOLT		09
28	0501054847	SLUICE VALVE COVER ASSY	9	01
29	0503010154	C-128 BELT		01
30	0501069179	CARRY-WHEEL CHAIN PROTECTION CAP		01
31	0503010256	3/8" X 3/4" BOLT		02



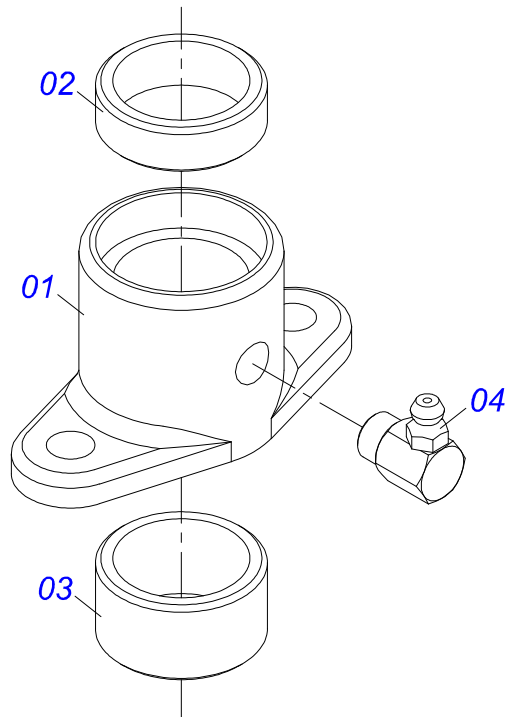
ASSY FRAME

0511041596

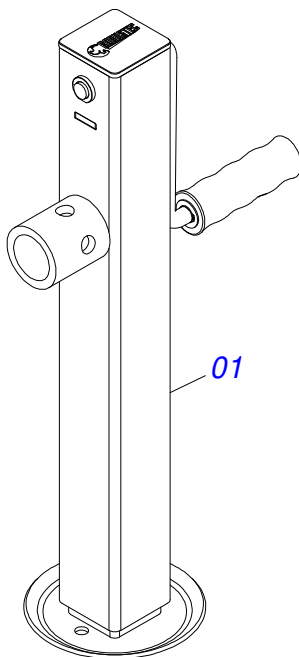
Item	Code	Description	See page	QT
32	0503010257	1/8" X 1" COTTERPIN		01
33	0503030878	LEVER CRANK		01
34	0501019460	REAR PROTECTION		01
35	0503011351	50-1 CHAIN X 79 LINK + MENDING		01
36	0511043330	DRIVE SHAFT	10	01
37	0501048200	DRIVE SHAFT	11	01
38	0503011268	3/8" X 2-1/2" BOLT		02
39	0503011141	3/8" X 2-3/4" BOLT		01
40	0521011107	CRANK BODY		01
41	0503030751	REGULATOR PLATE		01
42	0501050829	CHAIN TENSIONER	12	01
43	0511059024	ENGATE TRATOR COMPLETO	13	01
44	0511066176	HITCH PIN		01
45	0503010010	1/4" X 2.1/2" COTTERPIN		01
46	0581011220	COUPLING SHAFT		01
47	0503010131	3/16" X 1-1/2" COTTERPIN		01
48	0503013150	1300 X 3/8 CHAIN		01
49	0581017488	LOWER PROTECTION BOARD CARDAN		01
50	0521068790	BEARING PROTECTION		01
51	0581017441	BACK COVER		01
52	0581017442	FRONT PROTECTION		01
53	0581017497	COUPLING PROTECTION		01
54	0581017436	FRONT PROTECTION COVER		01
55	0581017434	FRONT PROTECTION COVER		01
56	0591016144	PROTECTION BOARD CARDAN		01
57	0581017435	SHORTER AXLE PROTECTION COVER		01
58	0581017433	TRANSMISSION SHAFT PROTECTION COVER		01
59	0591016133	COVER PROTECTION AXLE		01
60	0591016135	REAR COVER PROTECTION COVER		01
61	0591016134	PROTECTION COVER		01
62	0531050245	ASSY MANUAL DOOR		01
63	0503031809	ADHESIVE LABEL		01
64	0503031818	ADHESIVE LABEL		01
65	0503031859	ADHESIVE LABEL DANGER		01
66	0503031827	LUBRICATE AND RETIGHTEN DAILY DECAL		01
67	0503031427	ADHESIVE LABEL		01
68	0503031428	READ MANUAL DECAL		01
69	0503031087	ADHESIVE LABEL		01
70	0503032949	ADHESIVE LABEL		01
71	0503012209	RIVET POP		04
72	0503032425	ADHESIVE LABEL ATTENTION		01
73	0503034393	ADHESIVE LABEL		02
74	0503034392	ADHESIVE LABEL		04
75	0503034395	ADHESIVE LABEL		02
76	0503034394	ADHESIVE LABEL		02
77	0503019416	RIVET SCREW THREAD INTERNAL		09
78	0503035157	ADHESIVE LABEL DISTRIBUTOR LIMESTONE		01
79	0503036144	MAXIMUM SPEED ADHESIVE LABEL		01



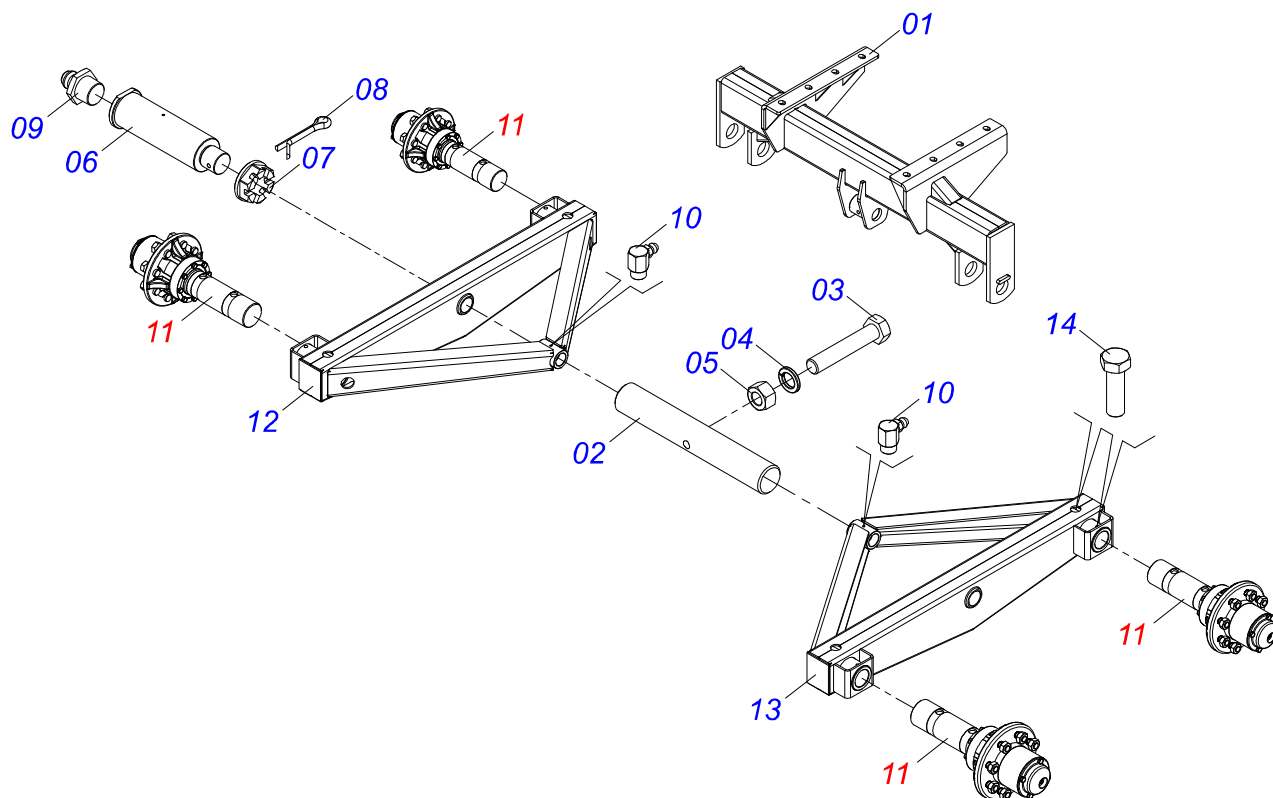
Item	Code	Description	See page	QT
01	0501069841	SLUICE VALVE SUPPORT		01
02	0503010371	5/16" X 1" BOLT		02
03	0503011444	SPRING WASHER		02
04	0503010337	5/16" NUT		02
05	0511059094	SHAFT BEARING THREADED	4	01



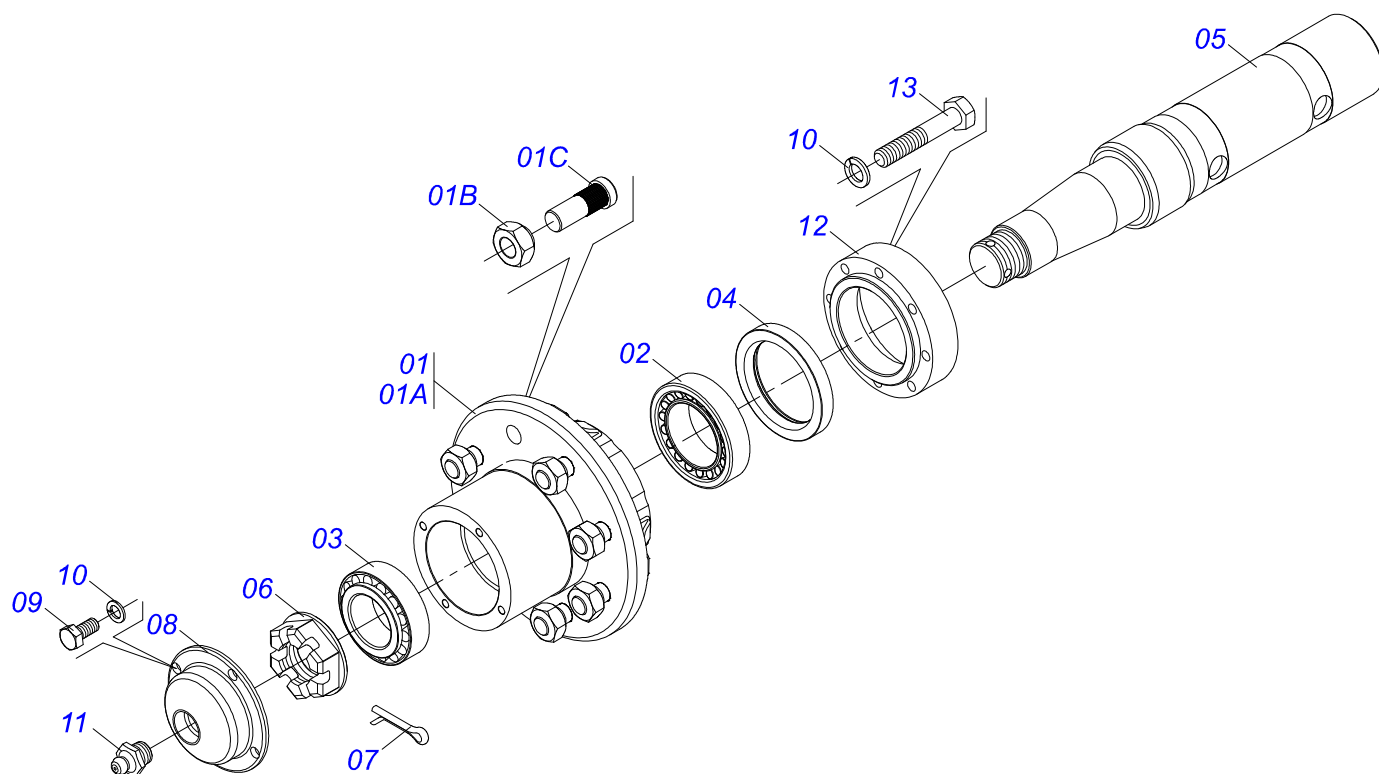
Item	Code	Description	See page	QT
01	0502010581	ROD BEARING		01
02	0521010458	SLEEVE		01
03	0521010457	SLEEVE		01
04	0503010004	1890 GREASE FITTING		01



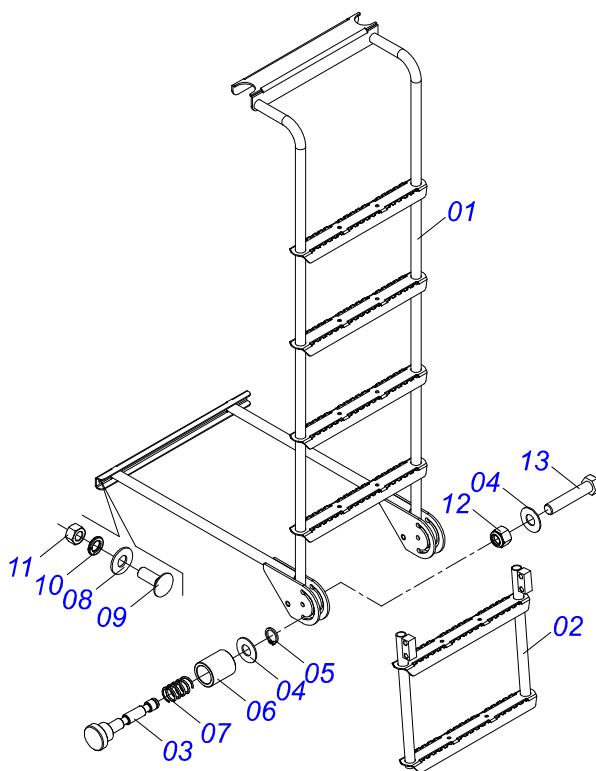
Item	Code	Description	See page	QT
01	0503062157	DRAWBAR JACK	5	01



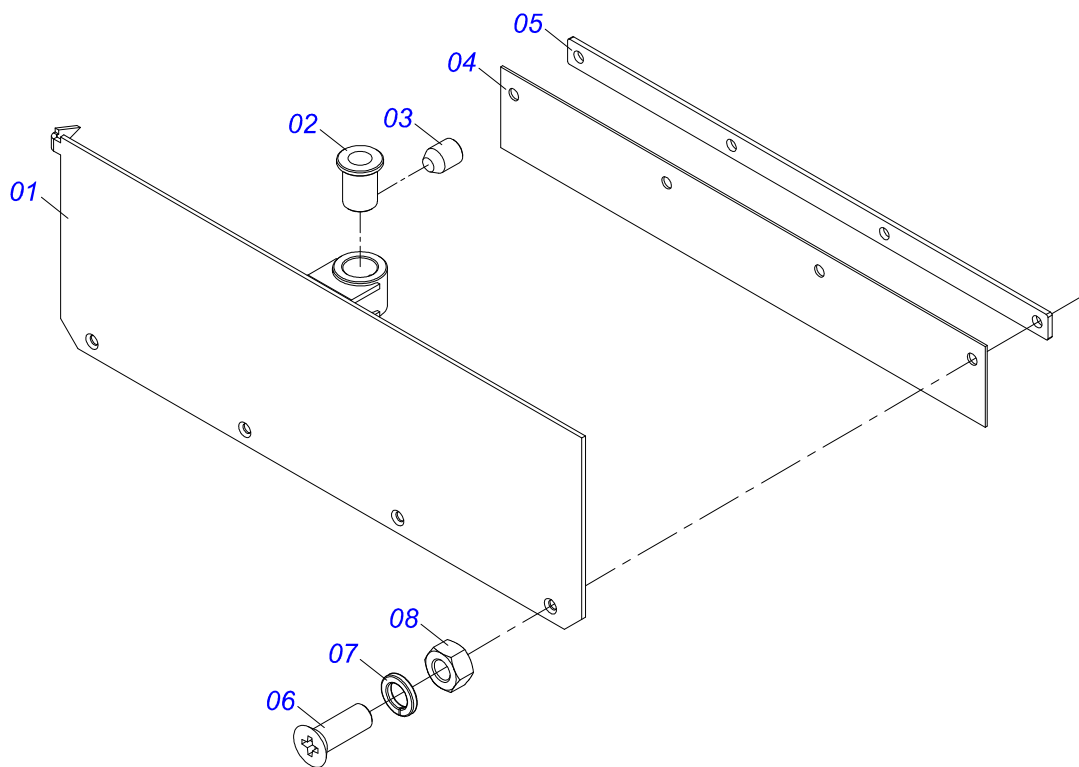
Item	Code	Description	See page	QT
01	0511065192	BEEEL CRANK FIXER SUPPORT		01
02	0531016579	CENTRAL AXLE		01
03	0503010547	1/2" X 4" BOLT		01
04	0503011440	SPRING WASHER		01
05	0503010060	1/2 UNC G.5 ZN HEX NUT		01
06	0521069954	COUPLING SHAFT 60,10 X 183		02
07	0501011301	1.1/2 UNC 6FPP 2.5/16 NUT		02
08	0503010010	1/4" X 2.1/2" COTTERPIN		02
09	0503010002	1800 GREASE FITTING		02
10	0503010004	1890 GREASE FITTING		02
11	0501056347	CARRYING WHEELS WITHOUT TIRE	7	04
12	0511066146	LEFT ROCKER ARM		01
13	0511066145	RIGHT ROCKER ARM		01
14	0501810100	BOLT 5/8 UNC X 2		08



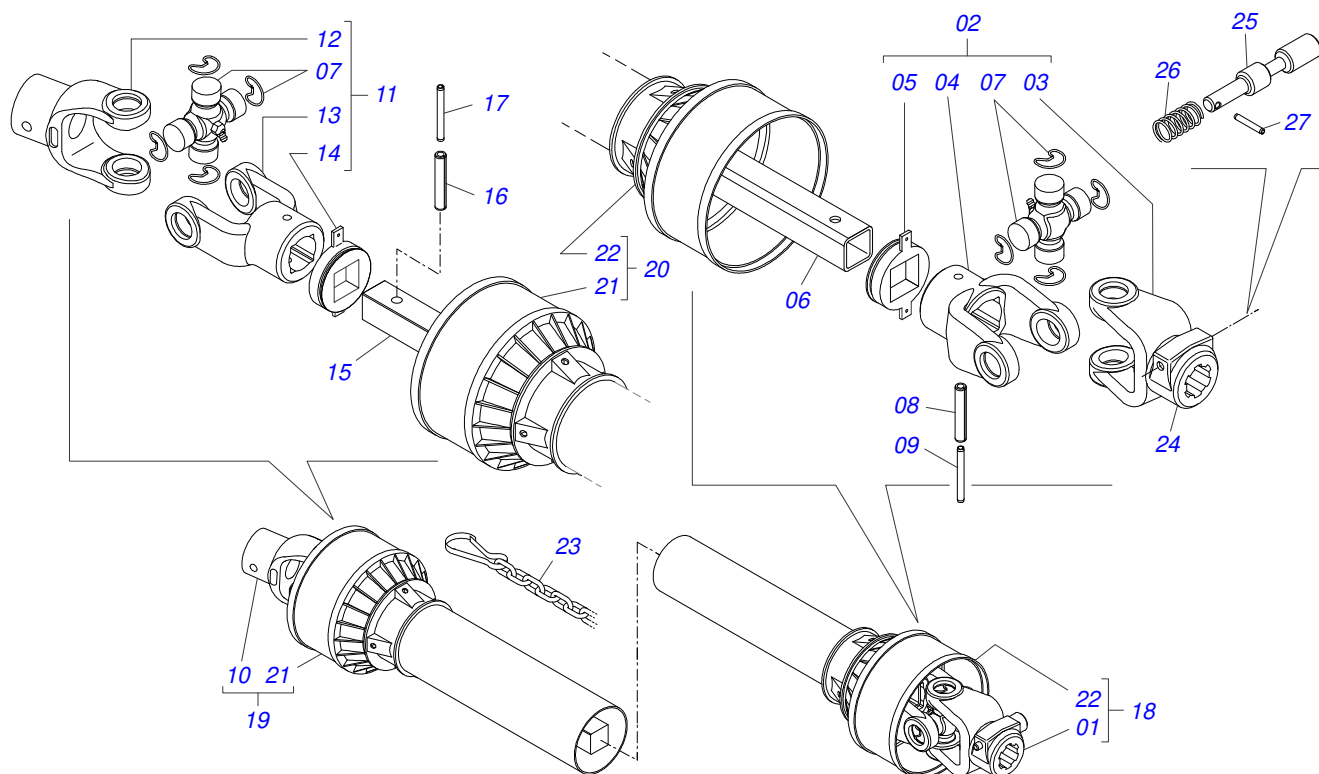
Item	Code	Description	See page	QT
01	0501110763	CARRYING WHEEL HUB		01
01A	0502012318	CARRYING WHEEL HUB		01
01B	0503010064	5/8 UNF CONIC NUT		08
01C	0501011052	5/8" X 1-3/4" BOLT		08
02	0503013453	SKF 33011 ROLLER BEARING		01
03	0503013454	SKF 33109 ROLLER BEARING		01
04	0503010086	SEAL 0009B-B		01
05	0541015586	WHEEL AXLE		01
06	0501010630	1.1/2" CASTLE NUT		01
07	0503010523	1/4" X 2" COTTERPIN		01
08	0502020592	COVER		01
09	0503010295	SCREW 5/16 UNC X 5/8 CS G.2 ZN		04
10	0503011444	SPRING WASHER		12
11	0503010002	1800 GREASE FITTING		01
12	0502012175	SEAL FLANGE		01
13	0503010397	5/16" X 1-3/4" BOLT		08



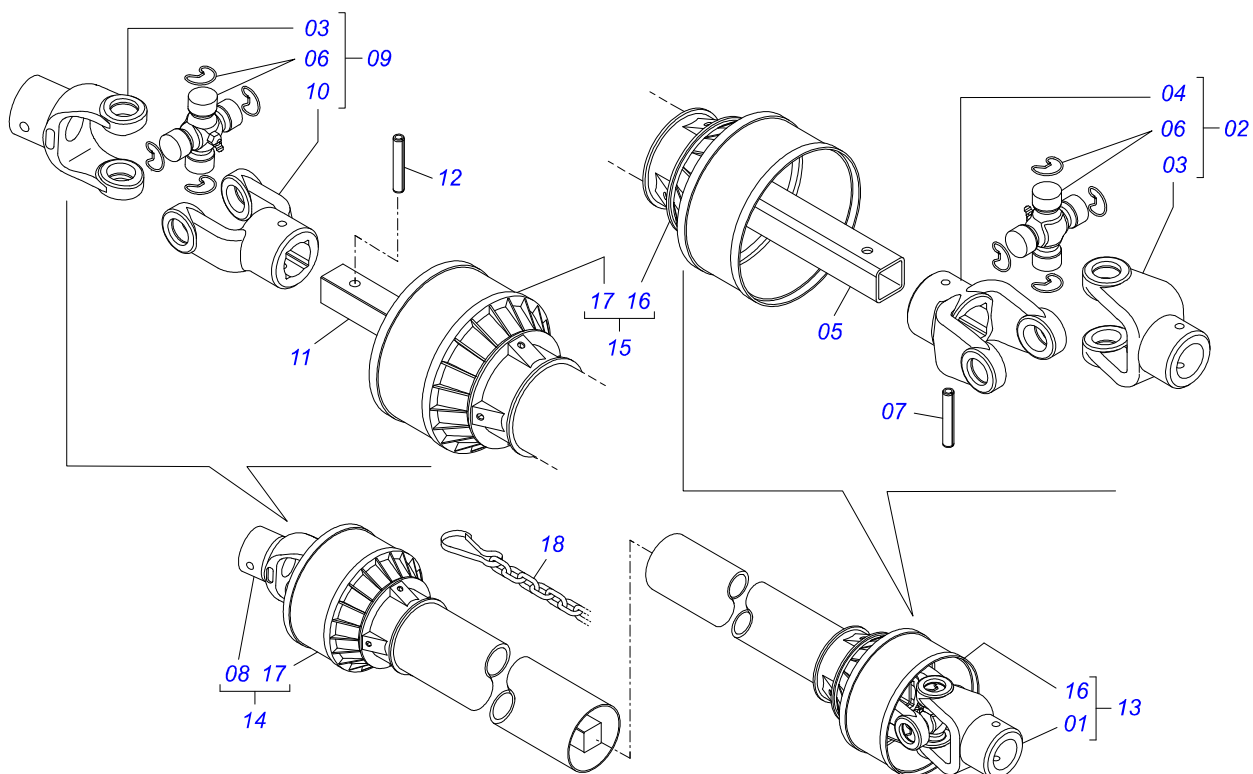
Item	Code	Description	See page	QT
01	0521067154	LADDER		01
02	0521067130	LADDER EXTENDER		01
03	0571019930	EXTENSION LOCK AXLE		01
04	0501013519	FLAT WASHER		03
05	0503010291	501012 CLAMPING RING (FOR AXLE)		01
06	0571019931	GUIDE GLOVE		01
07	0503032035	0.7" X 1.2" X 1" COMPRESSION SPRING		01
08	0501013518	FLAT WASHER		02
09	0501011643	3/8 X 1" BOLT		02
10	0503010025	3/8 SPRING WASHER		02
11	0503010026	3/8" NUT		02
12	0503010589	1/2" UNC SELF ADJUSTING NUT		02
13	0503010734	1/2" X 2-1/2" BOLT		02



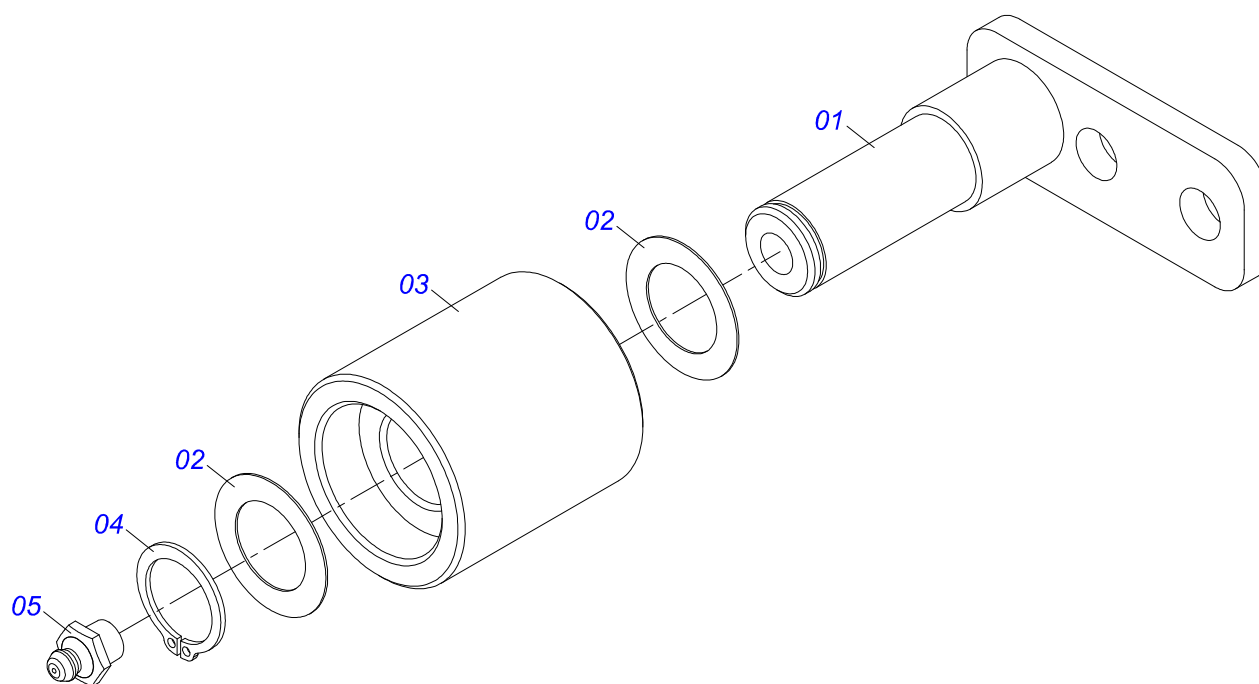
Item	Code	Description	See page	QT
01	0501069181	SLUICE VALVE COVER		01
02	0501019831	ADJUSTING NUT		01
03	0503011148	3/8" X 1/2" BOLT		01
04	0511014562	PROTECTION SMALLER		01
05	0511016575	RUBBER COVER FIXER		01
06	0503010546	5/16" X 7/8" BOLT		04
07	0503011444	SPRING WASHER		04
08	0503010337	5/16" NUT		04



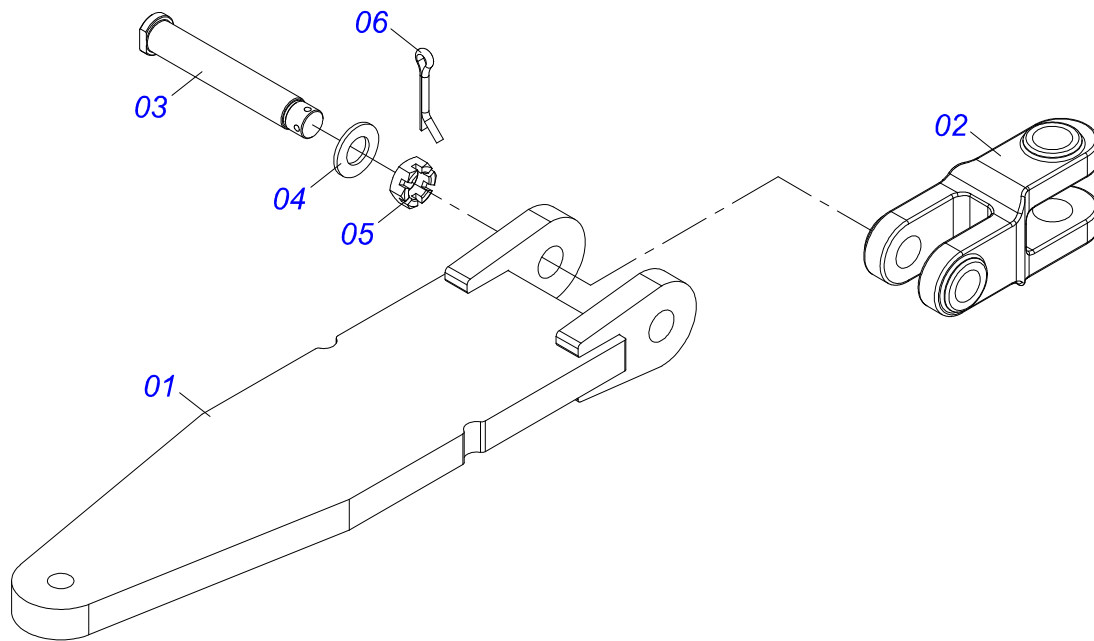
Item	Code	Description	See page	QT
01	0501056756	UNIVERSAL JOINT	01	01
02	0501050265	UNIVERSAL JOINT	01	01
03	0502010563	1-40 STRIATED 1.3/8" TERMINAL	01	01
04	0502010563	1-40 STRIATED 1.3/8" TERMINAL	01	01
05	0503012069	ADAPTER FOR BUSHING PROTECT	01	01
06	0501017427	20" X 1.5" SQUARE SLEEVE	01	01
07	0503010836	CARDAN CROSSPIECE	01	01
08	0503011069	0.4" X 2.8" SPRING PIN	01	01
09	0503010510	0.2" X 2.6" SPRING PIN	01	01
10	0501056755	UNIVERSAL JOINT	01	01
11	0501052178	UNIVERSAL JOINT	01	01
12	0502011611	9-40 TERMINAL	01	01
13	0502010566	3-40 TERMINAL WITH SH 1.2"/1.2"	01	01
14	0503012070	ADAPTER FOR AXLE PROTECTION	01	01
15	0501017423	1.2" X 19.6" SQUARE SHAFT	01	01
16	0503010361	SPRING PIN	01	01
17	0503010756	0.2" X 2.4" SPRING PIN	01	01
18	0501052179	PROT/SLEEVE UNIVERSAL JOINT	01	01
19	0501052180	PROT/AXLE UNIVERSAL JOINT	01	01
20	0503012277	PROTECTION ASSY	01	01
21	0503012278	PROTECTION FOR UNIV JOINT SLEEVE	01	01
22	0503012279	PROTECTION FOR UNIV JOINT AND AXLE	01	01
23	0503012023	CHAIN FOR PROTECTION	02	01
24	0502010563	1-40 STRIATED 1.3/8" TERMINAL	01	01
25	0521010638	13,70 X 78 HITCH PIN	01	01
26	0503030518	0.5"X1.0"X 0.1" COMPRESSION SPRING	01	01
27	0503010838	0.1" X 0.8" SPRING PIN	01	01



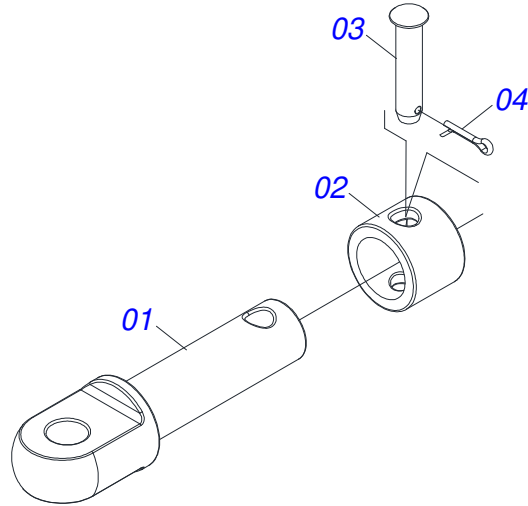
Item	Code	Description	See page	QT
01	0501052171	SLEEVE UNIVERSAL JOINT		01
02	0501051718	UNIVERSAL JOINT		01
03	0502010558	4-20 TERMINAL WITH ROLES		02
04	0502011426	2-20 TERMINAL		01
05	0521013799	0.9" X 47" SQUARE SLEEVE		01
06	0503010835	CARDAN CROSSPICE		02
07	0503010839	03"X 0.6" SPRING PIN		01
08	0501052172	AXLE UNIVERSAL JOINT		01
09	0501051720	UNIVERSAL JOINT		01
10	0502011427	3-20 TERMINAL		01
11	0521013796	0.9" X 47" SQUARE SHAFT		01
12	0503010301	0.3" X 1.8" SPRING PIN		01
13	0501052170	PROT/SLEEVE UNIVERSAL JOINT		01
14	0501052173	PROT/AXLE UNIVERSAL JOINT		01
15	0503012274	PROTECTION ASSY		01
16	0503012275	PROTECTION FOR UNIV JOINT SLEEVE		01
17	0503012276	PROTECTION FOR UNIV JOINT AND AXLE		01
18	0503012023	CHAIN FOR PROTECTION		02



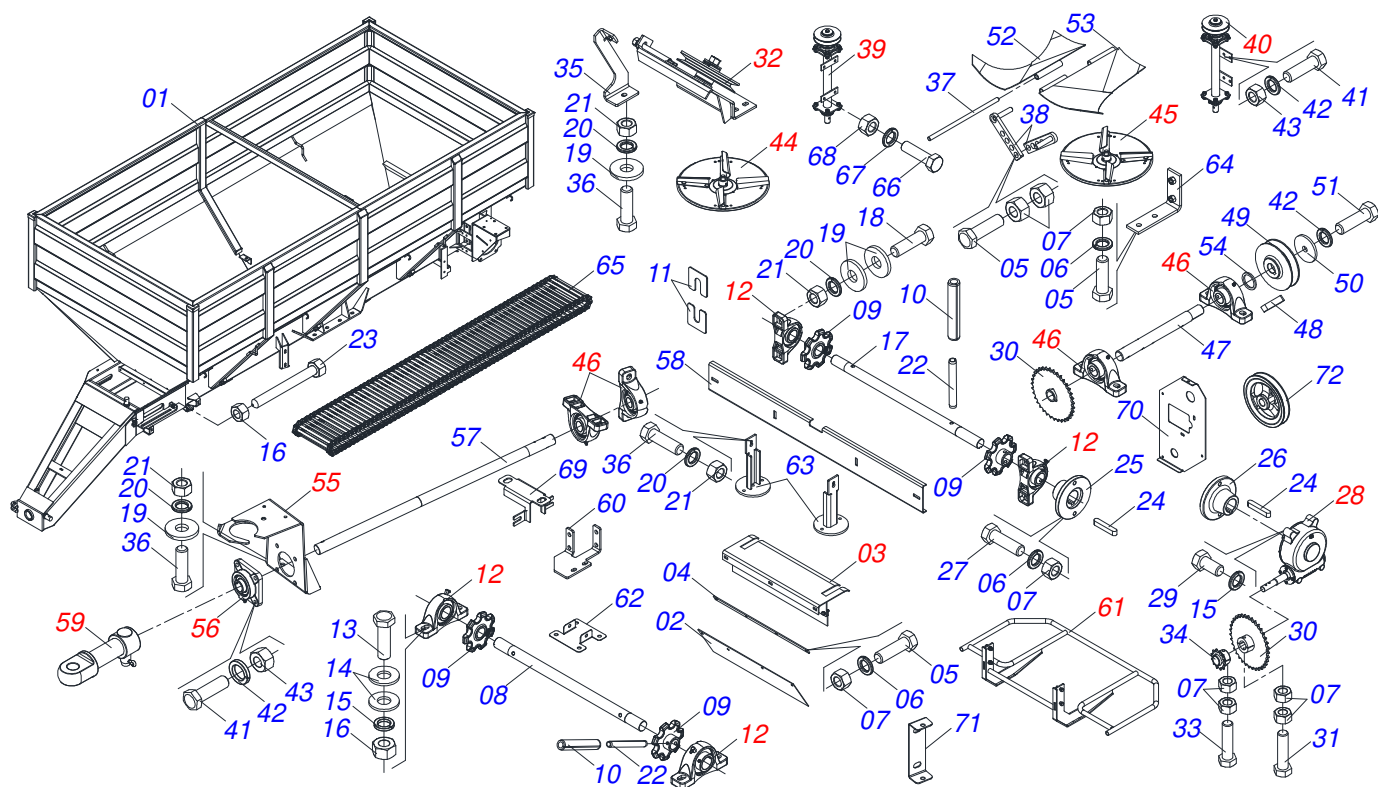
Item	Code	Description	See page	QT
01	0501067692	BELT TENSIONER BODY		01
02	0511015098	FLAT WASHER		02
03	0511017041	TENSIONER ROLD		01
04	0503010302	501019 SEAL RING		01
05	0503010002	1800 GREASE FITTING		01



Item	Code	Description	See page	QT
01	0511066154	SEMI COUPLING		01
02	1902040330	TRACTOR HITCH		01
03	0541014957	PIN DRAG		01
04	0501017779	32 X 60 X 4.75 FLAT WASHER		01
05	0503011052	1.1/4" X 0.77" CASTLE NUT		01
06	0503010010	1/4" X 2.1/2" COTTERPIN		01



Item	Code	Description	See page	QT
01	1902040223	PIN HITCH		01
02	1902040327	LOCK SLEEVE		01
03	0521010579	COUPLING SHAFT		01
04	0503010571	1/4" X 1.1/2 COTTERPIN		01

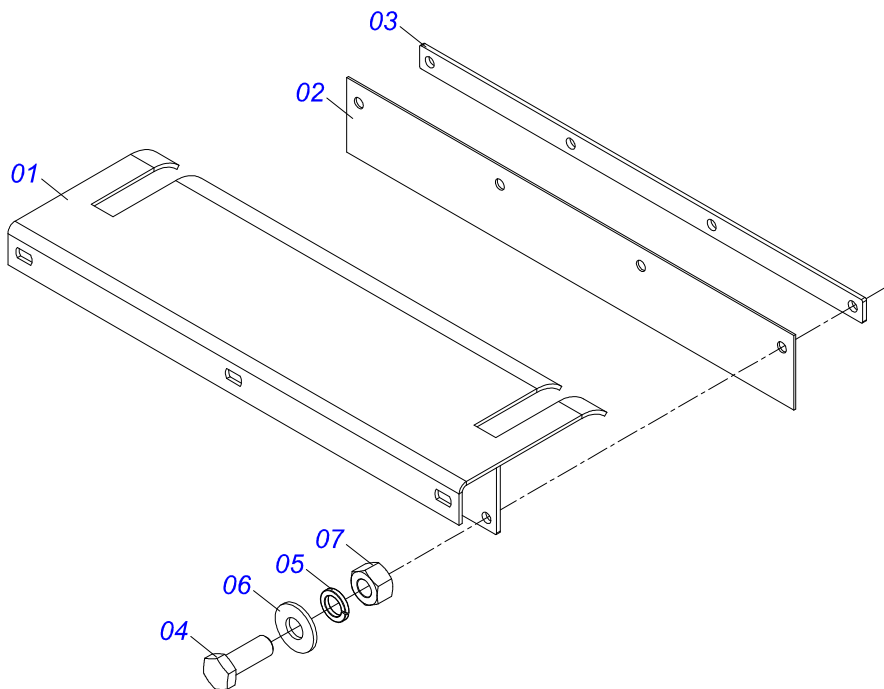


Item	Code	Description	See page	QT
01	0511064672	DCA2 10500 MC BUCKET		01
02	0511011866	PROTECTION LARGER		01
03	0511059305	REAR PROTECTION WITH MINOR PROTECTOR	16	01
04	0511016575	RUBBER COVER FIXER		01
05	0503010237	3/8" X 1" BOLT		06
06	0503011443	3/8" SPRING WASHER		08
07	0503010026	3/8" NUT		16
08	0511016482	DRIVEN AXLE		01
09	0502040728	7Z GEAR		04
10	0503010361	SPRING PIN		06
11	0501010794	HIDR CHOCK REGULATOR		04
12	0501044308	AGRICULTURAL BEARING ASSY	17	04
13	0503010233	5/8" X 2-1/2" BOLT		04
14	0501012140	FLAT WASHER		08
15	0503011445	SPRING WASHER		08
16	0503010013	5/8 NUT		06
17	0511016481	MOTOR SHAFT		01
18	0503010740	BOLT 1/2 UNC X 2 CS G.5 ZN		12
19	0511017302	FLAT WASHER 13,50 X 32,50 X 3,0 ZN		27
20	0503011440	SPRING WASHER		21
21	0503010060	1/2 UNC G.5 ZN HEX NUT		21
22	0503010756	0.2" X 2.4" SPRING PIN		04
23	0501067853	ROD STABILIZER		02
24	0501010540	KEYWAY SQUARE		02
25	0511016540	MAT COUPLING FLANGE		01
26	0511016541	REDUCTION COUPLING FLANGE		01
27	0503010849	3/8" X 1-1/2" BOLT		03
28	0501047985	REDUCER	18	01
29	0503011167	M16 X 2 X 30 BOLT		04
30	0501069020	35Z GEAR		02
31	0503011141	3/8" X 2-3/4" BOLT		02

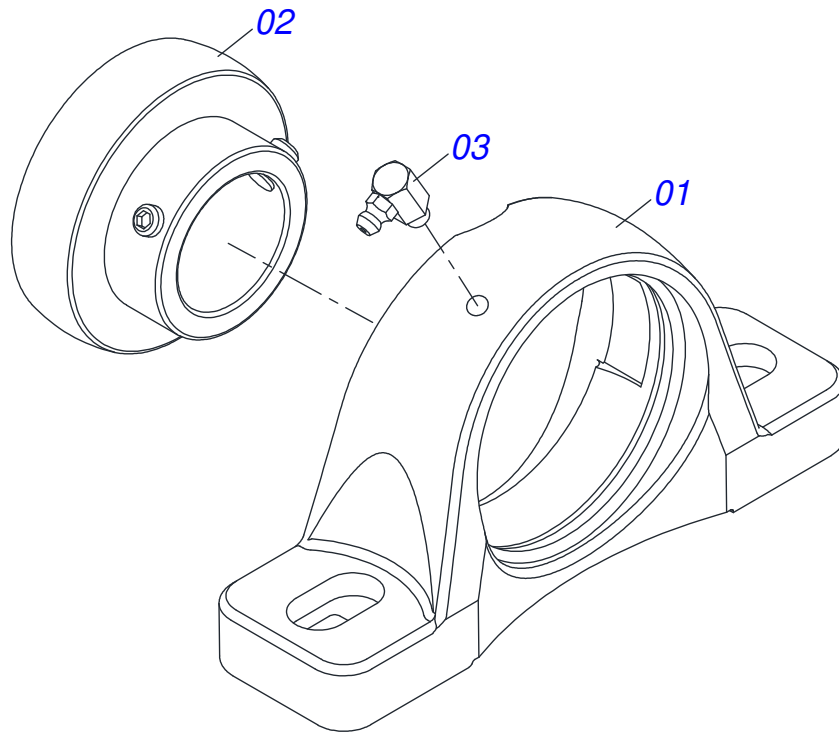


DCA2 10500 MC
DCA2 10500 MC BUCKET

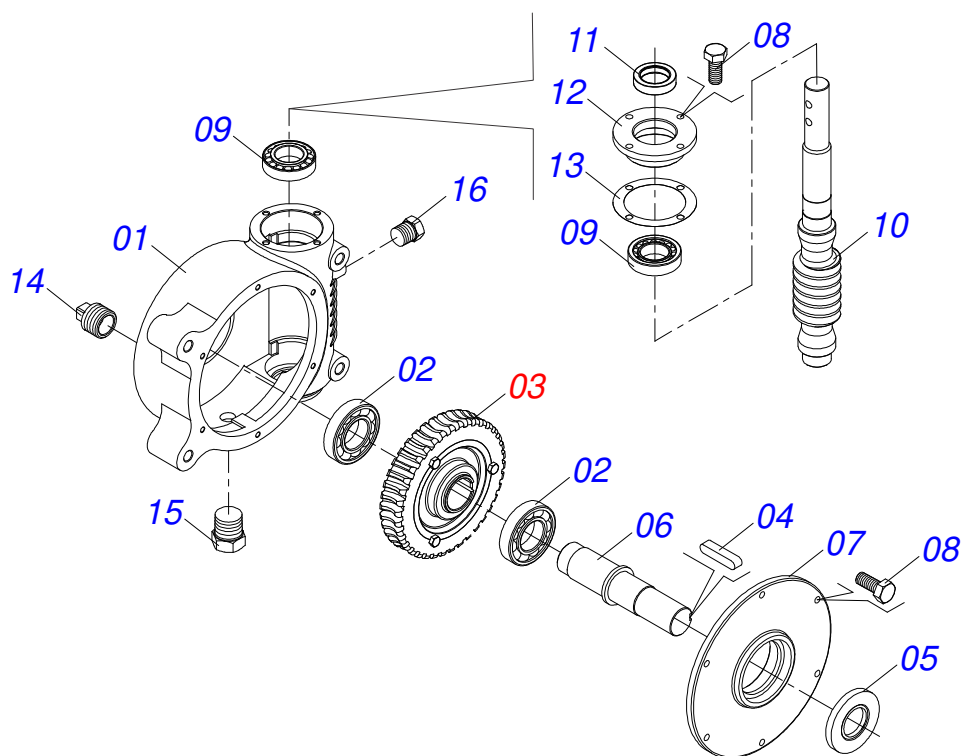
Item	Code	Description	See page	QT
32	0501046802	BELT TENSIONER ASSY	20	01
33	0503011268	3/8" X 2-1/2" BOLT		01
34	0501069017	12Z GEAR		01
35	0511060909	PROTECTION REAR SUPPORT FIXER		01
36	0503010920	1/2 UNC X 1.1/2 C S G.5 ZN BOLT		09
37	0511016530	TENSIONER OPEN		01
38	0501067368	DIVISOR REGULATOR OPEN		02
39	0501051782	RIGHT BEARING SUPPORT DISC	21	01
40	0501051783	LEFT BEARING SUPPORT DISC	22	01
41	0503010920	1/2 UNC X 1.1/2 C S G.5 ZN BOLT		12
42	0503011440	SPRING WASHER		13
43	0503010060	1/2 UNC G.5 ZN HEX NUT		12
44	0501051972	DISTRIBUTOR RIGHT DISC ASSY	24	01
45	0501051973	DISTRIBUTOR LEFT DISC ASSY	25	01
46	0511041213	AGRICULTURAL BEARING	26	04
47	0521011063	TRANSMISSION AXLE		01
48	0501010536	KEYWAY SQUARE		01
49	0502011361	REEL 1C 5.5" X 1.1" PULLEY		01
50	0511014052	FLAT WASHER		01
51	0503010355	7/16" X 1" BOLT		01
52	0501067203	RIGHT FLOW DIVIDING		01
53	0501067361	LEFT FLOW DIVIDING		01
54	0511016579	WASHER		01
55	0501056885	CARDAN LEVER SUPPORT		01
56	0501044306	BATH BEARING	28	01
57	0541014889	TRANSMISSION AXLE		01
58	0531061809	FENDER CLAMP		01
59	0531050090	DRAWBOLT ASSY	14	01
60	0591016143	FIXER SUPPORT BELT PROTECTION		01
61	0531050244	PROTECTOR DISC	29	01
62	0591016132	FIXER BODY PROTECTION COVER		
63	0521067015	SUPPORT PROTETION DISC		02
64	0501069225	BELT PROTECTION FIXER		01
65	0511064673	DRIVE THE FERTILIZER TRANSPORT		01
66	0503010920	1/2 UNC X 1.1/2 C S G.5 ZN BOLT		04
67	0503010019	1/2" SPRING WASHER		04
68	0503010060	1/2 UNC G.5 ZN HEX NUT		04
69	0581017505	INTERMEDIARY SUPPORT AXLE PROTECTION		01
70	0521068823	COVER PROTECTION		01
71	0581017504	BEARING PROTECTION SUPPORT		01
72	0502012936	1 C X 219 X 30 PULLEY		01



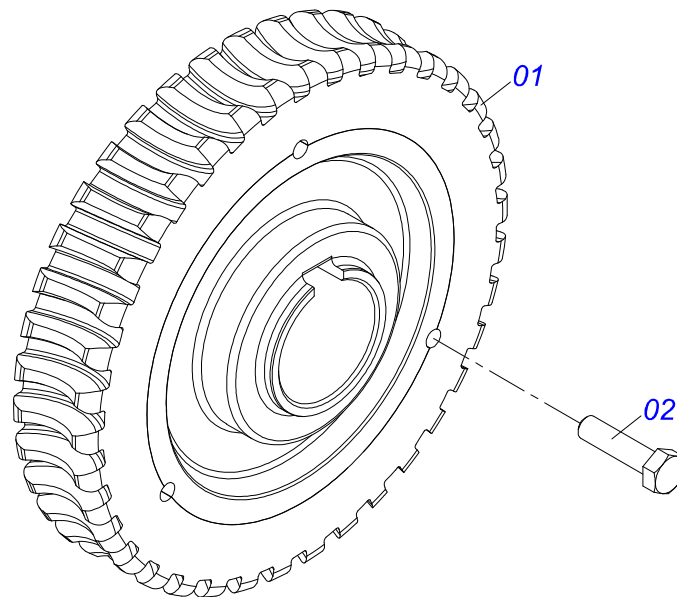
Item	Code	Description	See page	QT
01	0501067379	MAT REAR PROTECTION		01
02	0511014562	PROTECTION SMALLER		01
03	0511016575	RUBBER COVER FIXER		01
04	0503010237	3/8" X 1" BOLT		04
05	0503011443	3/8" SPRING WASHER		04
06	0501010984	10,50 X 27 X 3,00 FLAT WASHER		04
07	0503010026	3/8" NUT		04



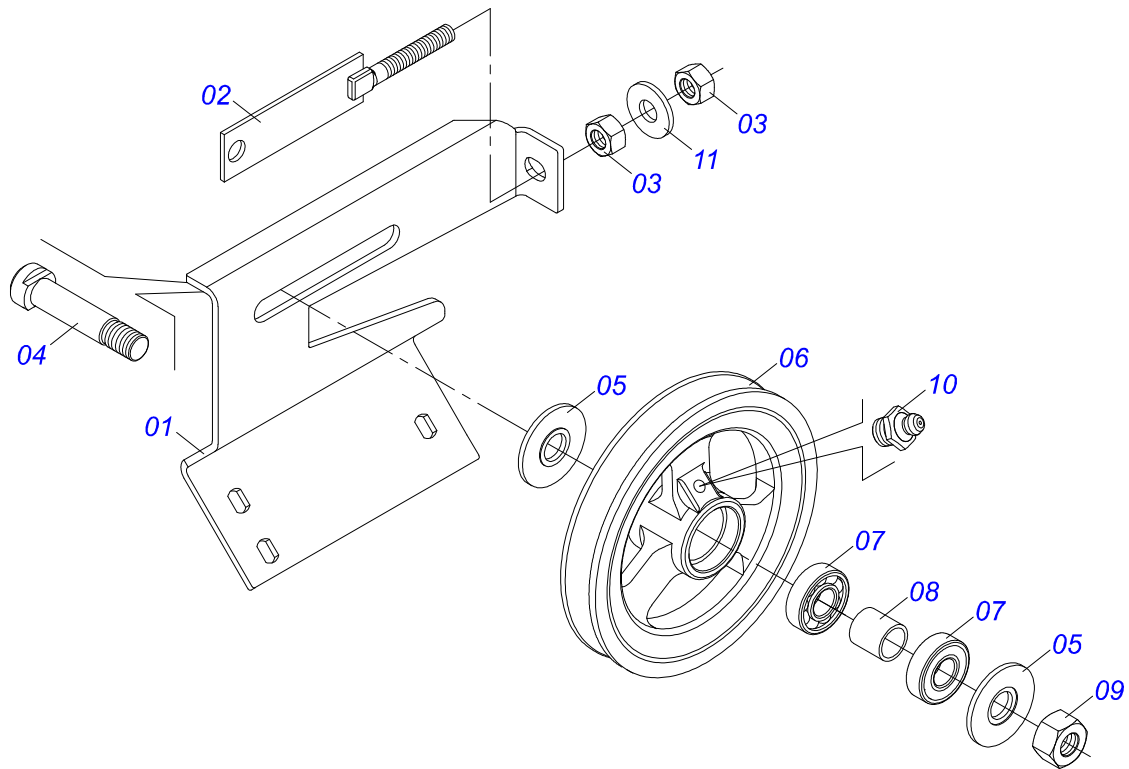
Item	Code	Description	See page	QT
01	0502011050	AGRICULTURAL HOUSING BEARING		01
02	0503011163	1108/UCR BEARING ASSY		01
03	0503010004	1890 GREASE FITTING		01



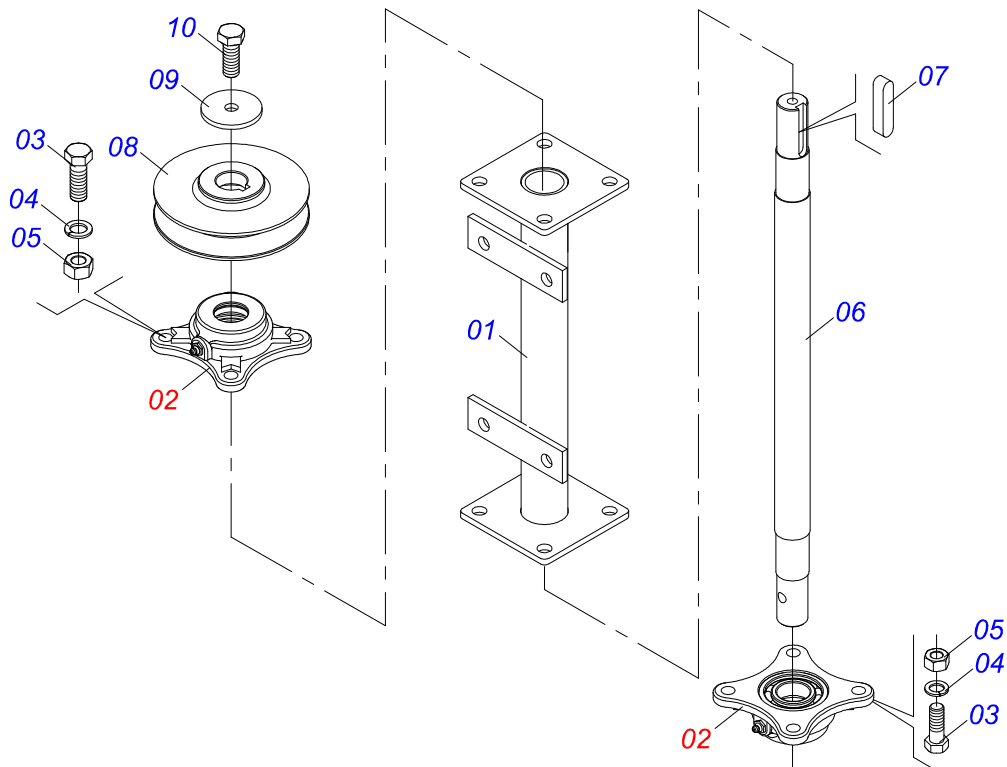
Item	Code	Description	See page	QT
01	0502011456	REDUCTION BOX		01
02	0503011095	6208 BALL BEARING		02
03	0501051774	38Z CROWN	19	01
04	0503011304	1/2" X 2.4" KEYWAY SQUARE		01
05	0503010818	02675-BRG SEAL		01
06	0521010996	AXLE		01
07	0502020556	LARGER COVER		01
08	0503010240	BOLT		10
09	0503010016	BEARING LM		02
10	0521010997	SCREW THEAD		01
11	0503011171	00912-BRG SEAL		01
12	0502011457	SMALLER COVER		01
13	0503030981	102 X 75,5 X 0,10 JOINT		01
14	0521011023	PLUG		01
15	0513010009	LEVEL DISPLAY		01
16	0503010856	OIL PLUG		01



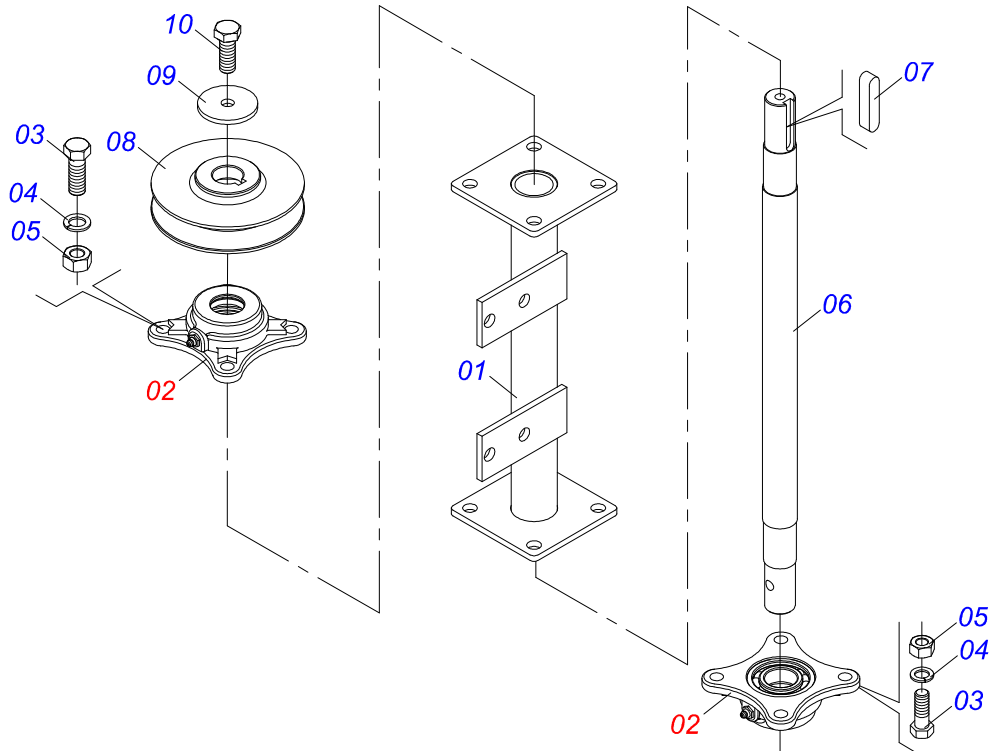
Item	Code	Description	See page	QT
01	0501110280	38Z CONICAL		01
02	0503010365	BOLT 5/16 UNC X 1.1/4 C S G.5 ZN		03



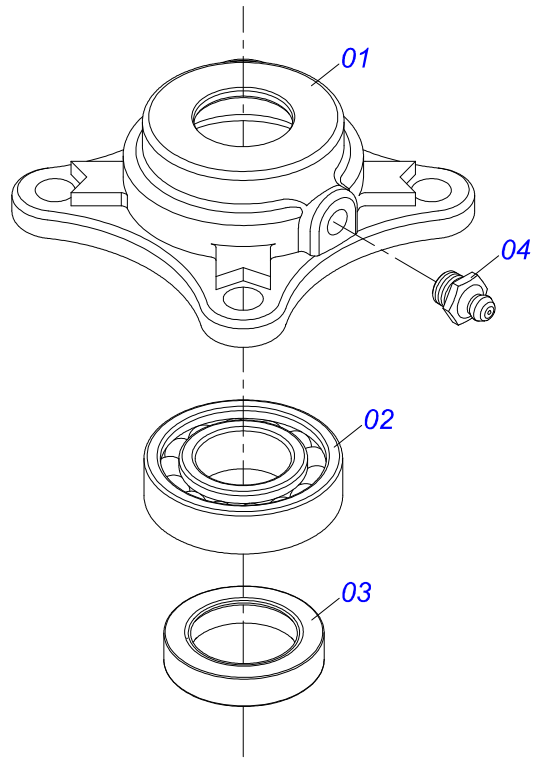
Item	Code	Description	See page	QT
01	0501066100	SUPPORT		01
02	0501065968	1C X 8.3 PULLEY TENSIONER		01
03	0503010013	5/8 NUT		02
04	0511012362	TIGHTENER AXLE PULLEY		01
05	0501019288	WASHER SPACER		02
06	0502011366	REEL 1C 8.3" X 1.6" PULLEY		01
07	0503010690	6204 BALL BEARING		02
08	0521010497	0.8" X 1.1" X 1.1" SPACER		01
09	0503010014	3/4" HEX NUT		01
10	0503010002	1800 GREASE FITTING		01
11	0501012140	FLAT WASHER		01



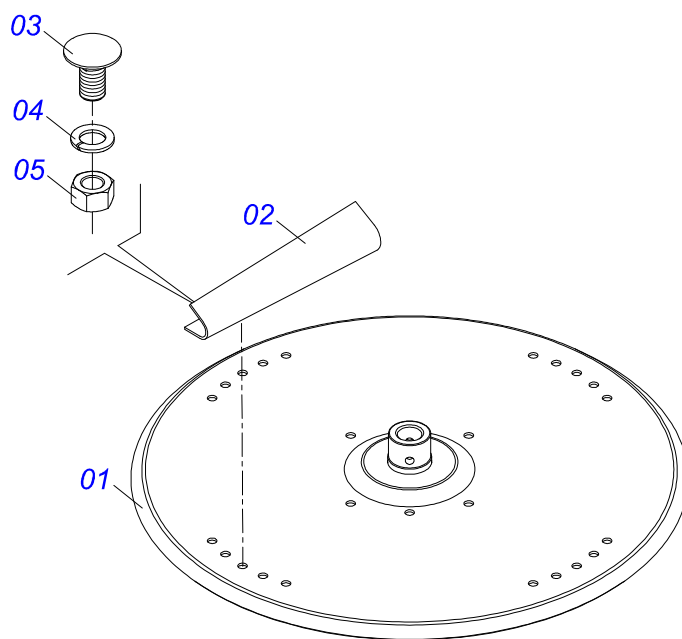
Item	Code	Description	See page	QT
01	0501067387	DISTRIBUTOR RIGHT SUPPORT DISC		01
02	0501048000	AGRICULTURAL BEARING	23	02
03	0503011102	BOLT 7/16 UNC X 1.1/4 C S G.5 ZN		08
04	0503011446	SPRING WASHER		08
05	0503010244	7/16" NUT		08
06	0511016489	DISTRIBUTOR AXLE CONDUCTOR DISC		01
07	0501010536	KEYWAY SQUARE		01
08	0502011361	REEL 1C 5.5" X 1.1" PULLEY		01
09	0511014052	FLAT WASHER		01
10	0503010355	7/16" X 1" BOLT		01



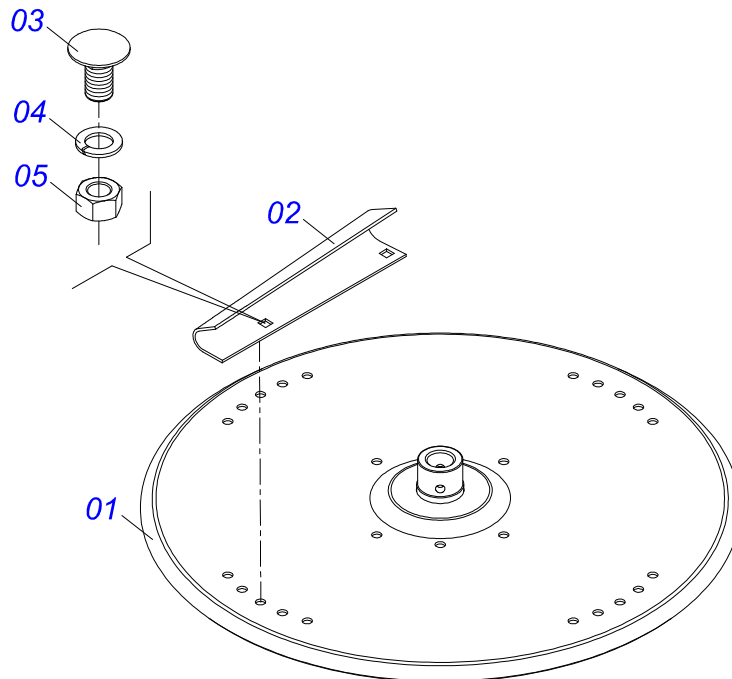
Item	Code	Description	See page	QT
01	0501067388	DISTRIBUTOR LEFT SUPPORT DISC		01
02	0501048000	AGRICULTURAL BEARING	23	02
03	0503011102	BOLT 7/16 UNC X 1.1/4 C S G.5 ZN		08
04	0503011446	SPRING WASHER		08
05	0503010244	7/16" NUT		08
06	0511016489	DISTRIBUTOR AXLE CONDUCTOR DISC		01
07	0501010536	KEYWAY SQUARE		01
08	0502011361	REEL 1C 5.5" X 1.1" PULLEY		01
09	0511014052	FLAT WASHER		01
10	0503010355	7/16" X 1" BOLT		01



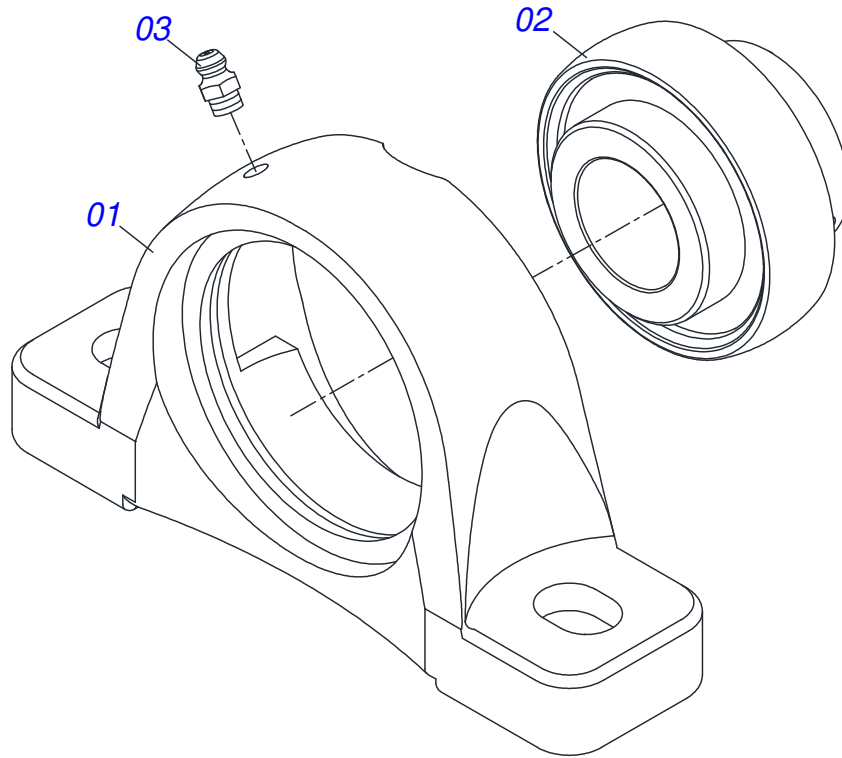
Item	Code	Description	See page	QT
01	0502011442	AGRICULTURAL HOUSING BEARING		01
02	0503010276	6206 BALL BEARING		01
03	0503011865	SEAL		01
04	0503010002	1800 GREASE FITTING		01



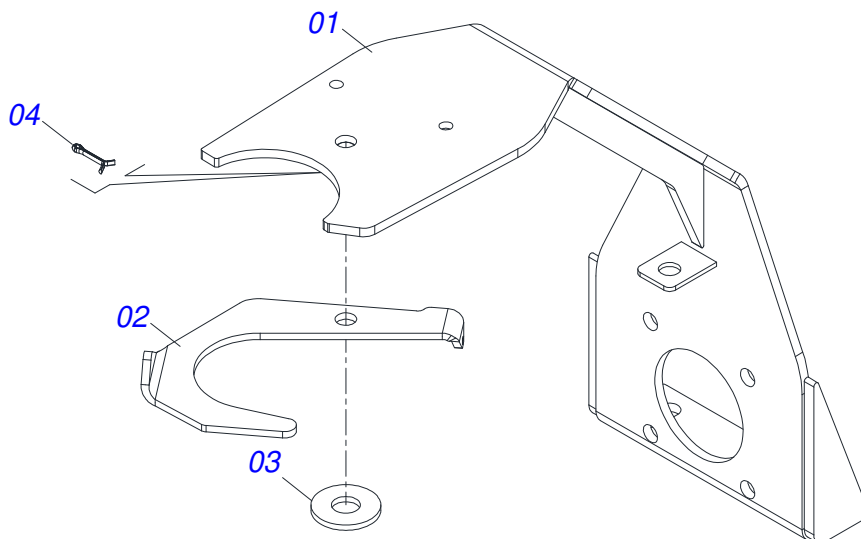
Item	Code	Description	See page	QT
01	0501069605	DISTRIBUTOR DISC		01
02	0521018638	LH FLIP		04
03	0503013029	3/8" X 3/4" BOLT		08
04	0503011443	3/8" SPRING WASHER		08
05	0503010026	3/8" NUT		08



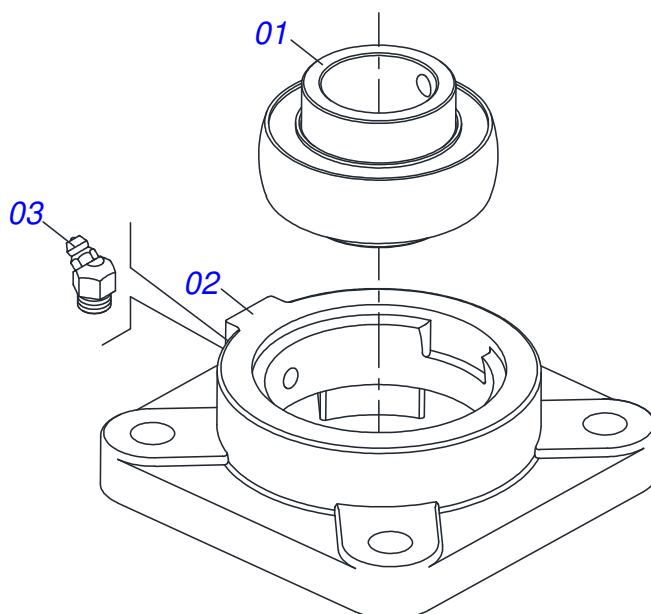
Item	Code	Description	See page	QT
01	0501069605	DISTRIBUTOR DISC		01
02	0521018637	LEFT FLIP		04
03	0503013029	3/8" X 3/4" BOLT		08
04	0503011443	3/8" SPRING WASHER		08
05	0503010026	3/8" NUT		08



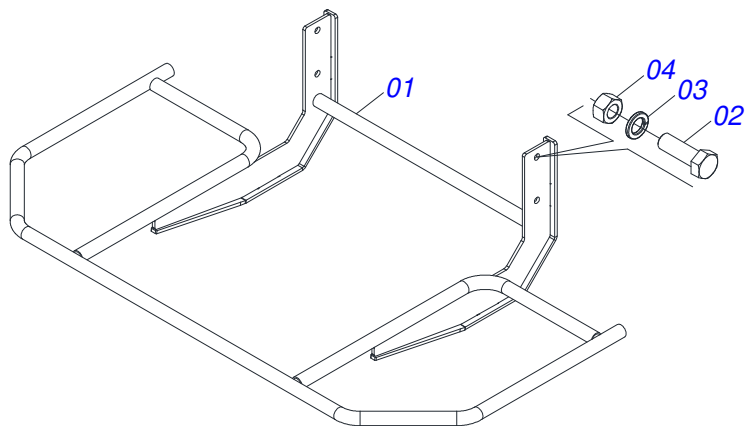
Item	Code	Description	See page	QT
01	0502011954	AGRICULTURAL HOUSING BEARING		01
02	0503011884	BALL BEARING		01
03	0503010691	1/4" GREASE FITTING		01



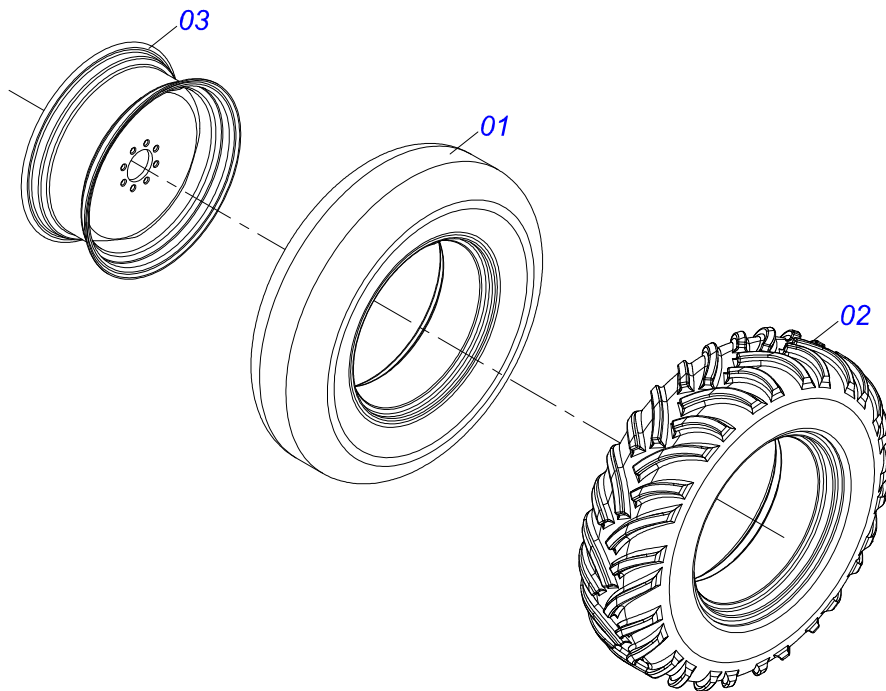
Item	Code	Description	See page	QT
01	0521068817	SUPPORT SUSTENANCE CARDAN		01
02	0511014066	CARDAN SMALLE SUPPORT		01
03	0511017302	FLAT WASHER 13,50 X 32,50 X 3,0 ZN		01
04	0503010257	1/8" X 1" COTTERPIN		01



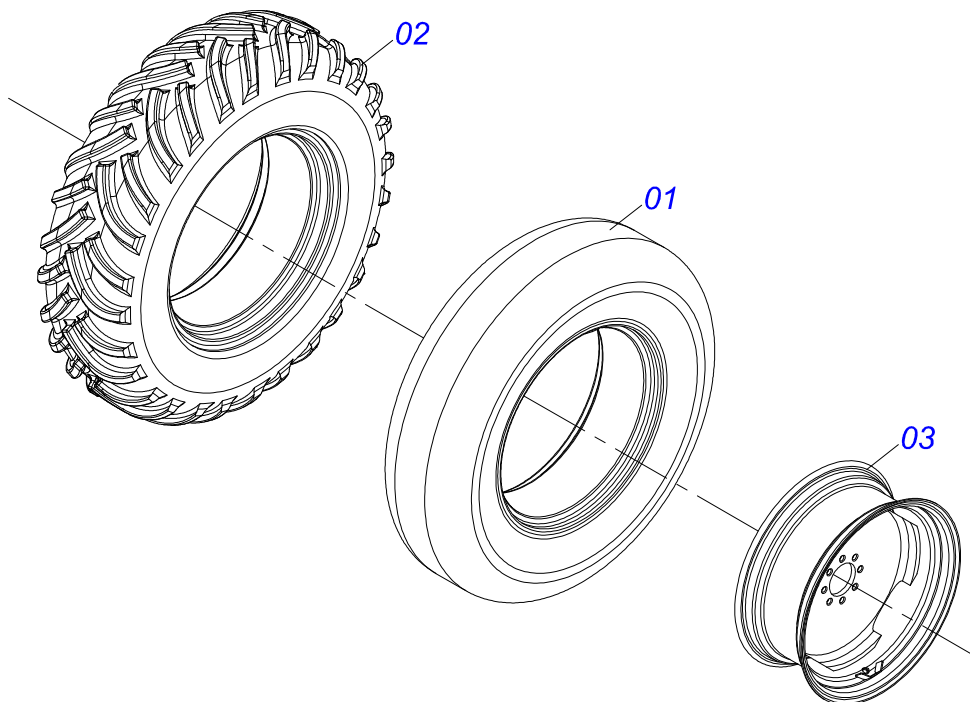
Item	Code	Description	See page	QT
01	0503011162	BALL BEARING		01
02	0503011146	HOUSING BEARING		01
03	0503011099	GREASE FITTING		01



Item	Code	Description	See page	QT
01	0531061810	DISC PROTECTION		01
02	0503010920	1/2 UNC X 1.1/2 C S G.5 ZN BOLT		04
03	0503011440	SPRING WASHER		04
04	0503010060	1/2 UNC G.5 ZN HEX NUT		04



Item	Code	Description	See page	QT
01	0503013040	0.5" X 1" VALVE STEM		01
02	0503013039	0.5" X 1" -10 CANVAS TIRE		01
03	0511063924	DCCO 10500 WHEEL		01



Item	Code	Description	See page	QT
01	0503013040	0.5" X 1" VALVE STEM		01
02	0503013039	0.5" X 1" -10 CANVAS TIRE		01
03	0511063924	DCCO 10500 WHEEL		01



MARCHESAN

Technical Publications | Elaboration and Revision

LORENA ROCHA ALVES

www.marchesan.com.br

