

**CHASER BIN**

## **DCA2 2500 MC WITH HYDRAULIC DRIVE**

**Code:** 0501093163  
**Series:** S-0114  
**Revision:** 01  
**Date Revision:** DEZEMBRO/2021

# **PARTS CATALOGUE**



**MARCHESAN**



# PRODUCTS

Code	Description
0109090202	DCA2 2500 MC C/ACIONAM HIDR S-0114

## ATTENTION: IMPORTANT

Marchesan S.A. reserves the right to improve and / or modify the technical features of its products, without obligation to do the same with those products already sold and without prior knowledge of the dealer or the consumer.

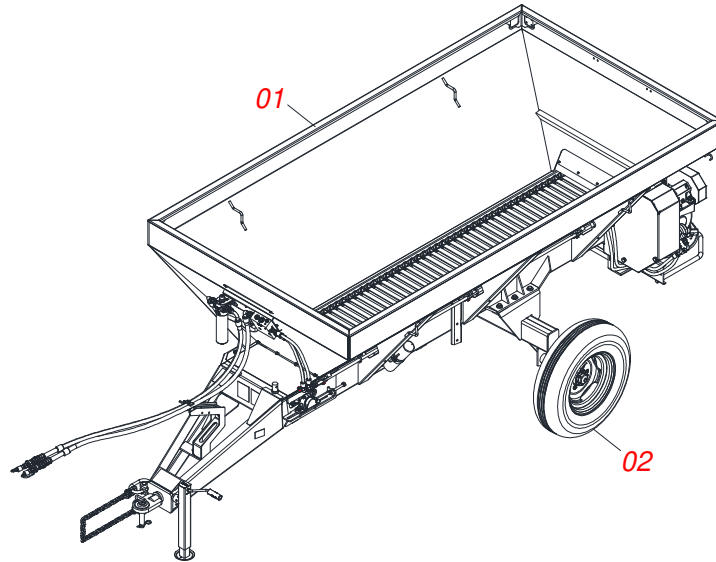


**MARCHESAN**

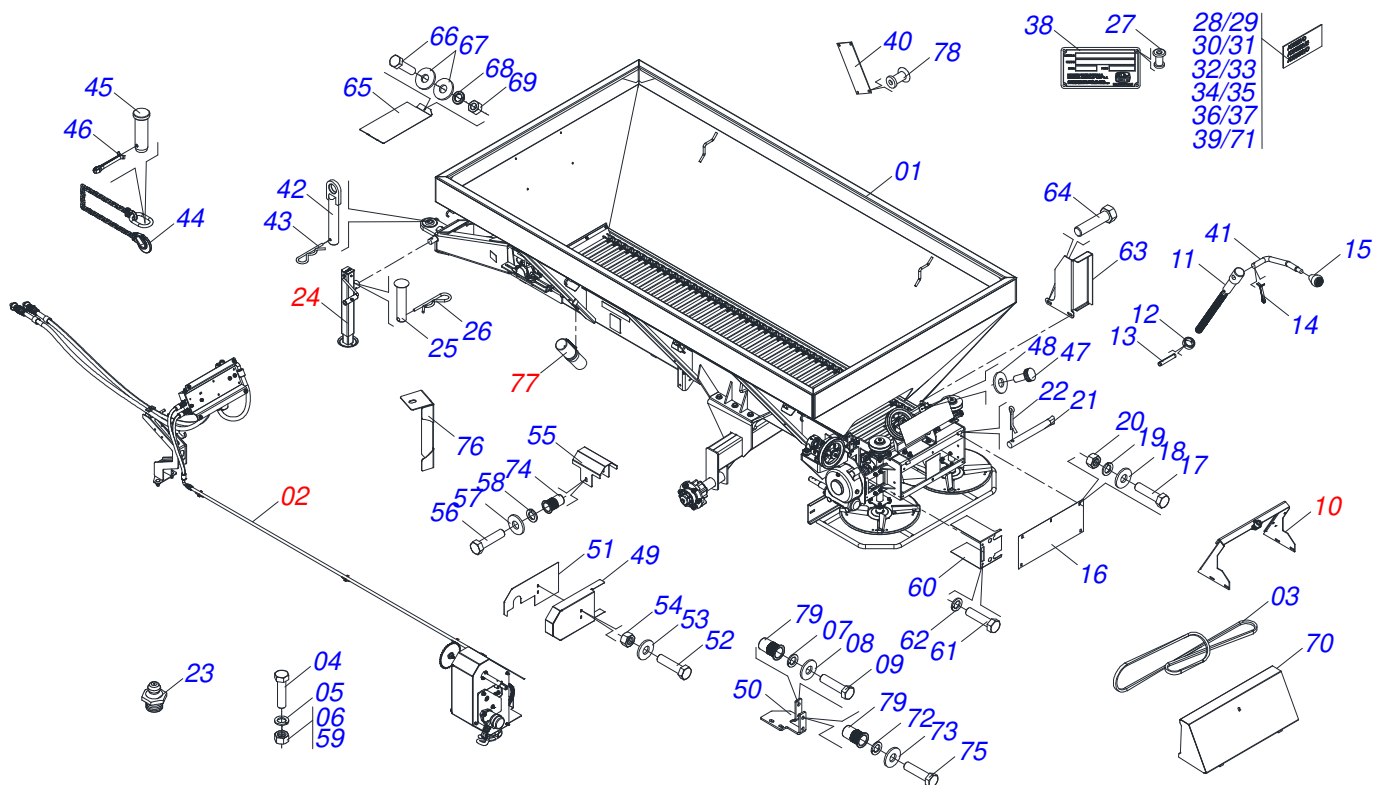
# INDEX

0909096080	ASSY FRAME	.....	1
0521045259	ASSY FRAME WITH HYDRAULIC DRIVE	.....	2
0511056775	BUCKET ASSY	.....	3
0501054847	SLUICE VALVE COVER ASSY	.....	4
0501047985	REDUCER	.....	5
0501051774	38Z CROWN	.....	6
0501046802	BELT TENSIONER ASSY	.....	7
0501051782	RIGHT BEARING SUPPORT DISC	.....	8
0501051783	LEFT BEARING SUPPORT DISC	.....	9
0501048000	AGRICULTURAL BEARING	.....	10
0511041213	AGRICULTURAL BEARING	.....	11
0521044558	SUPPORT	.....	12
0501049243	CARRYING-WHEEL FIXATION SUPPORT	.....	13
0501051142	CARRYING WHEEL HUB	.....	14
0501044308	AGRICULTURAL BEARING ASSY	.....	15
0501051972	DISTRIBUTOR RIGHT DISC ASSY	.....	16
0501051973	DISTRIBUTOR LEFT DISC ASSY	.....	17
0531050244	PROTECTOR DISC	.....	18
0521058121	SIMPLE HYDRAULIC DRIVE SET	.....	19
0511053588	MOTOR HYDRAULIC OMP 80 WITH NIPPLE 7/8 NIPPE 7/8	.....	20
0511054496	TENSIONER SMALEER ASSY	.....	21
0521057978	SIMPLE HYDRAULIC ACTUATION HOSE SET	.....	22
0501053834	MALE QUICK COUPLER WITH CAP - 1/2 NPT	.....	23
0521058094	SUPPORT HOSE	.....	24
0521057951	SUPPORT SIMPLE HYDRAULIC DRIVE	.....	25
0521057953	BLOCK HYDAC	.....	26
0521057952	FILTER PRES PARKER HDA FP20 10FV 06B LV6	.....	27
0521057599	FILTER PRESS PARKER HDA FP20 10FV 06B LV6 WITH NIPPLE	.....	28
0511054497	TENSIONER LARGER ASSY	.....	29
0511055834	SUPPORT SLUICE VALVE ASSY	.....	30
0531050245	ASSY MANUAL DOOR	.....	31
0503060206	29.5"X0.6"- 10L WHEEL AND TIRE ASSY	.....	32

ASSY FRAME



Item	Code	Description	See page	QT
01	0521045259	ASSY FRAME WITH HYDRAULIC DRIVE	2	01
02	0503060206	29.5"X0.6"- 10L WHEEL AND TIRE ASSY	32	02



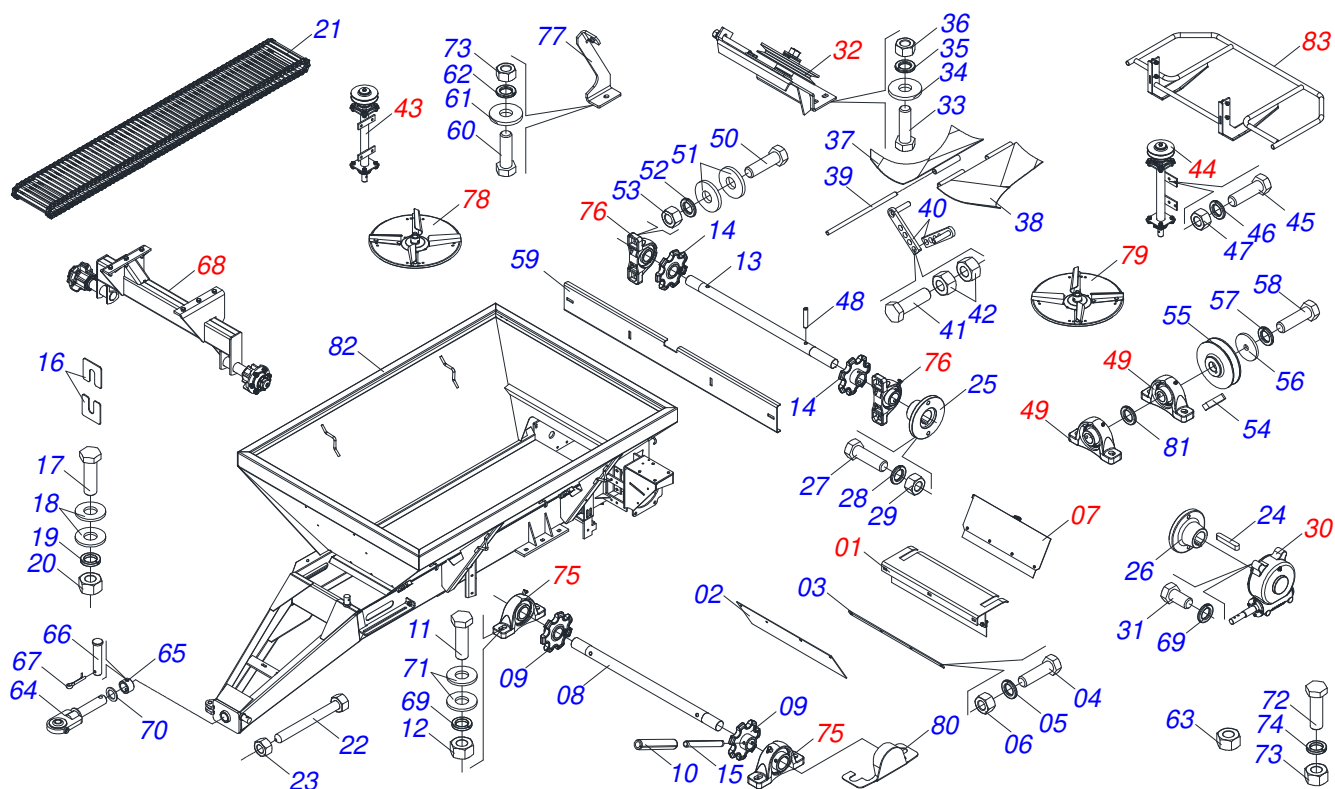
Item	Code	Description	See page	QT
01	0511056775	BUCKET ASSY	3	01
02	0521058121	SIMPLE HYDRAULIC DRIVE SET	19	01
03	0503019347	BELT		01
04	0503010751	C3/8" X 1.1/4" HEX BOLT G.5		02
05	0503010025	3/8" SPRING WASHER		02
06	0503010026	3/8" NUT		02
07	0503010025	3/8" SPRING WASHER		02
08	0501010984	FLAT WASHER		02
09	0503010237	3/8" X 1" BOLT		02
10	0511055834	SUPPORT SLUICE VALVE ASSY	30	01
11	0561014861	REGULATOR		01
12	0511013015	SLEEVE		01
13	0503010561	SPRING PIN		01
14	0503010257	1/8" X 1" COTTERPIN		01
15	0503030878	LEVER CRANK		01
16	0501019460	REAR PROTECTION		01
17	0503010237	3/8" X 1" BOLT		05
18	0501010984	FLAT WASHER		05
19	0503010025	3/8" SPRING WASHER		05
20	0503010026	3/8" NUT		05
21	0501017574	0.3" X 2.7" AXLE		02
22	0503010140	1/8" X 3/4" COTTERPIN		02
23	0503011098	1/4" GREASE FITTING		04
24	0503062157	HEADER JACK		01
25	0521010549	COUPLING SHAFT		01
26	0503030168	HAIR PIN		01
27	0503010001	3.2 X 5.5 RIVET		04
28	0503060808	ASSY STICKER		01
29	0503031048	ADHESIVE LABEL		01
30	0503031859	ADHESIVE LABEL DANGER		02
31	0503031809	ADHESIVE LABEL		01



**DCA2 2500 MC WITH HYDRAULIC DRIVE**  
**ASSY FRAME WITH HYDRAULIC DRIVE**

Item	Code	Description	See page	QT
32	0503031428	READ MANUAL DECAL		01
33	0503031827	LUBRICATE AND RETIGHTEN DAILY DECAL		01
34	0503031818	ADHESIVE LABEL		01
35	0503031087	ADHESIVE LABEL		01
36	0503032425	ADHESIVE LABEL ATTENTION		01
37	0503032949	ADHESIVE LABEL		01
38	0503034003	SERIAL NUMBER TAG 61 X 118		01
39	0503031427	ADHESIVE LABEL		01
40	0503030751	REGULATOR PLATE		01
41	0521011107	CRANK BODY		01
42	0501068989	COUPLING SHAFT		01
43	0503031035	HAIR PIN		01
44	0503013150	1300 X 3/8 CHAIN		01
45	0581011220	COUPLING SHAFT		01
46	0503010131	3/16" X 1-1/2" COTTERPIN		01
47	0503010386	CABLE		01
48	0501010984	FLAT WASHER		01
49	0591016134	PROTECTION COVER		01
50	0591016143	FIXER SUPPORT BELT PROTECTION		01
51	0591016135	REAR COVER PROTECTION COVER		01
52	0503010237	3/8" X 1" BOLT		02
53	0501010984	FLAT WASHER		02
54	0503010026	3/8" NUT		02
55	0591016133	COVER PROTECTION AXLE		01
56	0503010237	3/8" X 1" BOLT		01
57	0501010984	FLAT WASHER		01
58	0503010025	3/8" SPRING WASHER		01
59	0503010026	3/8" NUT		01
60	0581017497	COUPLING PROTECTION		01
61	0503010237	3/8" X 1" BOLT		02
62	0503010025	3/8" SPRING WASHER		02
63	0581017492	SIDE PROTECTION BELT		01
64	0503010849	3/8" X 1-1/2" BOLT		04
65	0581013216	FRONT PROTECTION		01
66	0503010849	3/8" X 1-1/2" BOLT		02
67	0501010984	FLAT WASHER		04
68	0503010025	3/8" SPRING WASHER		02
69	0503010026	3/8" NUT		02
70	0501069840	REAR COVER PROTECTION		01
71	0503034648	ADHESIVE LABEL		01
72	0503010025	3/8" SPRING WASHER		01
73	0501010984	FLAT WASHER		01
74	0503019416	RIVET SCREW THREAD INTERNAL		02
75	0503010237	3/8" X 1" BOLT		01
76	0591016145	PROTECTION BEARING COVER BACK		01
77	0531050245	ASSY MANUAL DOOR	31	01
78	0503012209	RIVET POP		04
79	0503019413	THREAD SCREW INTERNAL		04

BUCKET ASSY



Item	Code	Description	See page	QT
01	0511059305	REAR PROTECTION WITH MINOR PROTECTOR		01
02	0511011866	PROTECTION LARGER		01
03	0511016575	RUBBER COVER FIXER		01
04	0503010237	3/8" X 1" BOLT		08
05	0503011443	3/8" SPRING WASHER		08
06	0503010026	3/8" NUT		08
07	0501054847	SLUICE VALVE COVER ASSY	4	01
08	0511016482	DRIVEN AXLE		01
09	0502040728	7Z GEAR		02
10	0503010361	SPRING PIN		02
11	0503010233	5/8" X 2-1/2" BOLT		04
12	0503010013	5/8" NUT		04
13	0511016481	MOTOR SHAFT		01
14	0502040728	7Z GEAR		02
15	0503010361	SPRING PIN		02
16	0501010794	HIDR CHOCK REGULATOR		04
17	0503010740	BOLT 1/2 UNC X 2 CS G.5 ZN		04
18	0511017302	FLAT WASHER		08
19	0503011440	SPRING WASHER		04
20	0503010060	1/2" NUT		04
21	0501069582	DRIVE THE FERTILIZER TRANSPORT		01
22	0501067853	ROD STABILIZER		02
23	0503010013	5/8" NUT		02
24	0501010540	KEYWAY SQUARE		02
25	0511016540	MAT COUPLING FLANGE		01
26	0511016541	REDUCTION COUPLING FLANGE		01
27	0503010849	3/8" X 1-1/2" BOLT		02
28	0503011443	3/8" SPRING WASHER		02
29	0503010026	3/8" NUT		02
30	0501047985	REDUCER	5	01
31	0503011167	M16 X 2 X 30 BOLT		04

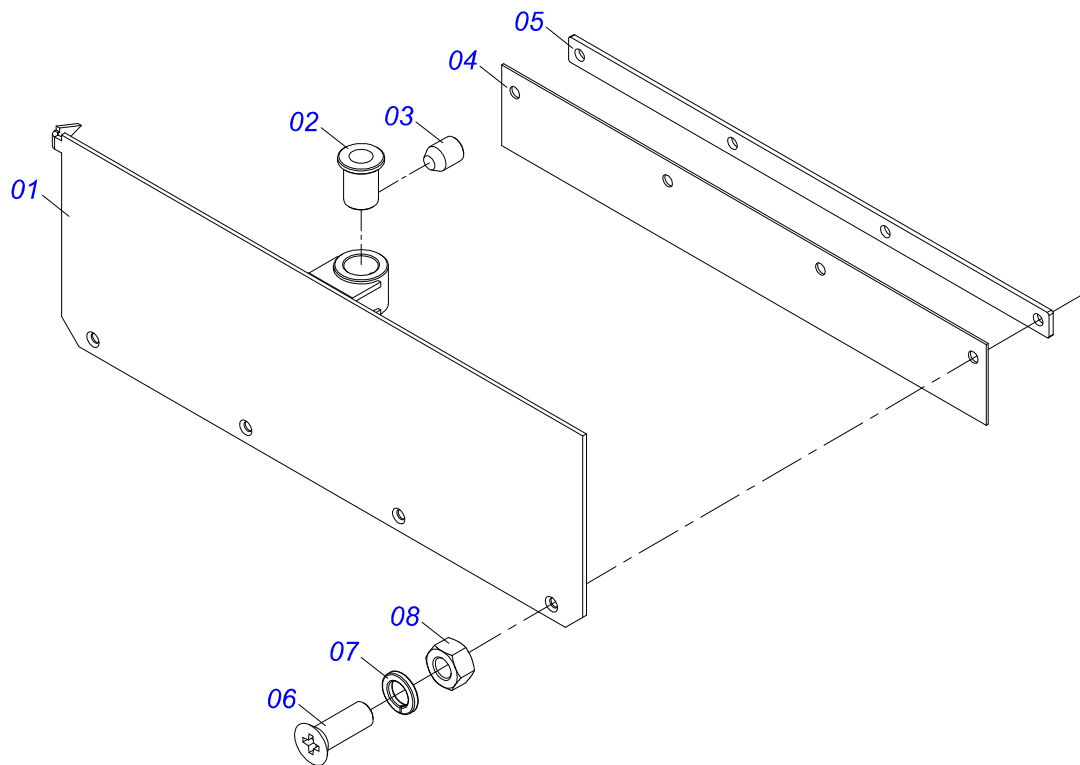


## BUCKET ASSY

0511056775

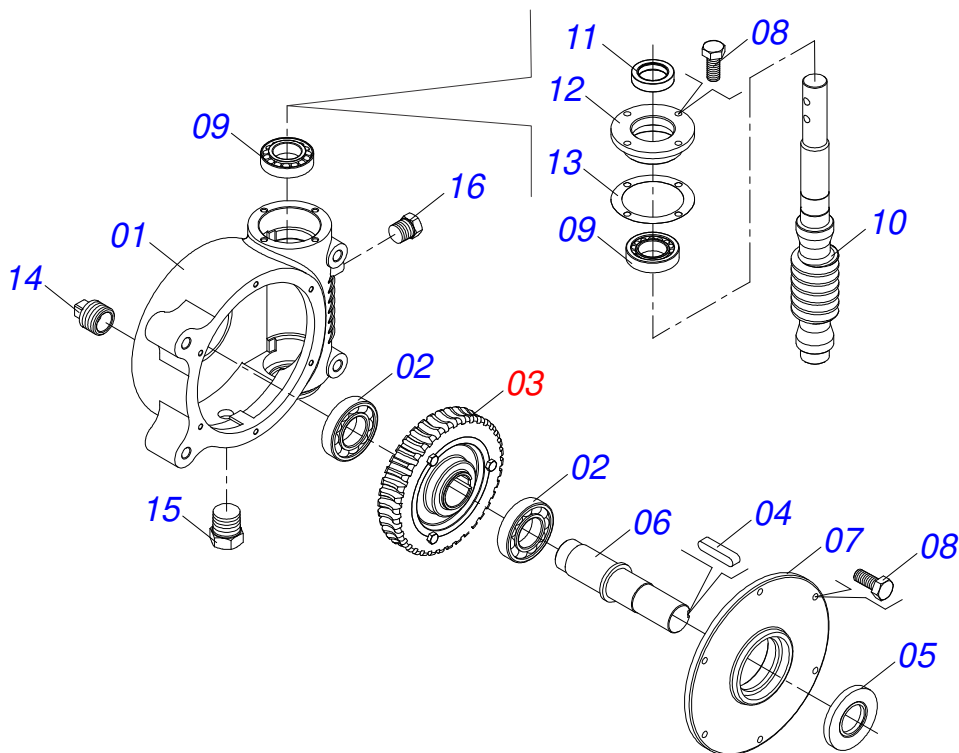
Item	Code	Description	See page	QT
32	0501046802	BELT TENSIONER ASSY	7	01
33	0503010920	1/2" X 1.1/2" BOLT		03
34	0511017302	FLAT WASHER		03
35	0503011440	SPRING WASHER		03
36	0503010060	1/2" NUT		03
37	0501067203	RIGHT FLOW DIVIDING		01
38	0501067361	LEFT FLOW DIVIDING		01
39	0511016530	TENSIONER OPEN		01
40	0501067368	DIVISOR REGULATOR OPEN		02
41	0503010849	3/8" X 1-1/2" BOLT		01
42	0503010026	3/8" NUT		02
43	0501051782	RIGHT BEARING SUPPORT DISC	8	01
44	0501051783	LEFT BEARING SUPPORT DISC	9	01
45	0503010920	1/2" X 1.1/2" BOLT		08
46	0503011440	SPRING WASHER		08
47	0503010060	1/2" NUT		08
48	0503010361	SPRING PIN		02
49	0511041213	AGRICULTURAL BEARING	11	02
50	0503010740	BOLT 1/2 UNC X 2 CS G.5 ZN		04
51	0511017302	FLAT WASHER		04
52	0503011440	SPRING WASHER		04
53	0503010060	1/2" NUT		04
54	0501010536	KEYWAY SQUARE		01
55	0502011361	REEL 1C 5.5" X 1.1" PULLEY		01
56	0511014052	FLAT WASHER		01
57	0503011446	SPRING WASHER		01
58	0503010355	7/16" X 1" BOLT		01
59	0501019838	BAMPER		01
60	0503010920	1/2" X 1.1/2" BOLT		02
61	0511017302	FLAT WASHER		02
62	0503011440	SPRING WASHER		02
63	0503010060	1/2" NUT		02
64	0521068793	TRACTOR TRACTOR		01
65	0521010681	BUSHING COUPLING BODY		01
66	0521010639	COUPLING SHAFT		01
67	0503010571	1/4" X 1.1/2 COTTERPIN		01
68	0521044558	SUPPORT	12	01
69	0503011445	SPRING WASHER		16
70	0501015875	FLAT WASHER		01
71	0501012140	FLAT WASHER		08
72	0503010920	1/2" X 1.1/2" BOLT		02
73	0503010060	1/2" NUT		02
74	0503011440	SPRING WASHER		02
75	0501044308	AGRICULTURAL BEARING ASSY	15	02
76	0501044308	AGRICULTURAL BEARING ASSY	15	02
77	0511060909	PROTECTION REAR SUPPORT FIXER		01
78	0501051972	DISTRIBUTOR RIGHT DISC ASSY	16	01
79	0501051973	DISTRIBUTOR LEFT DISC ASSY	17	01
80	0521068822	BEARING PROTECTION		03
81	0511016579	WASHER		01
82	0501069224	BUCKET		01
83	0531050244	PROTECTOR DISC	18	01



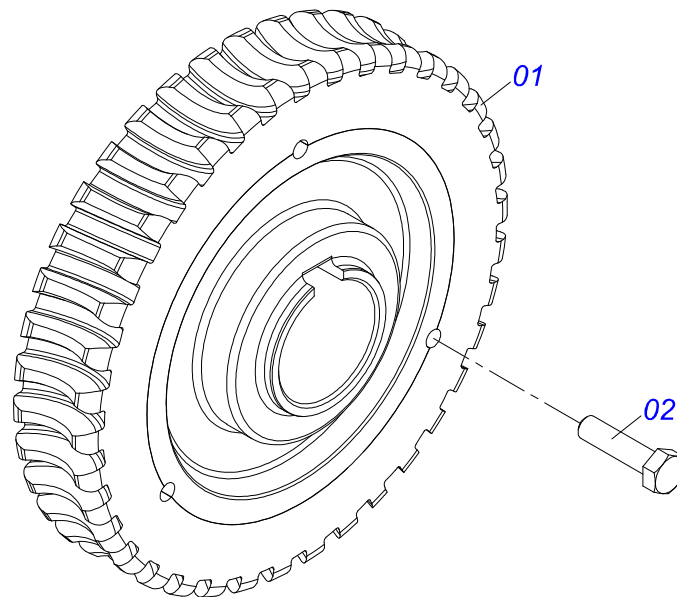


Item	Code	Description	See page	QT
01	0501069181	SLUICE VALVE COVER		01
02	0501019831	ADJUSTING NUT		01
03	0503011148	3/8" X 1/2" BOLT		01
04	0511014562	PROTECTION SMALLER		01
05	0511016575	RUBBER COVER FIXER		01
06	0503010546	5/16" X 7/8" BOLT		04
07	0503011444	SPRING WASHER		04
08	0503010337	5/16" NUT		04

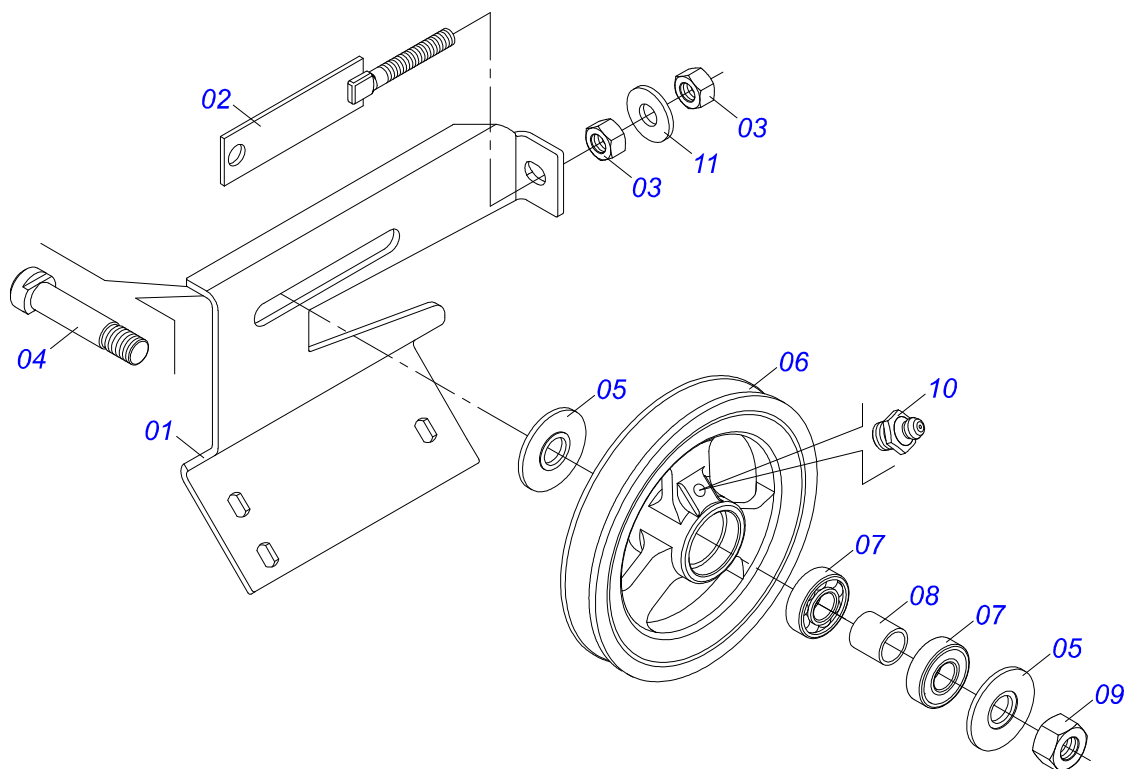
REDUCER



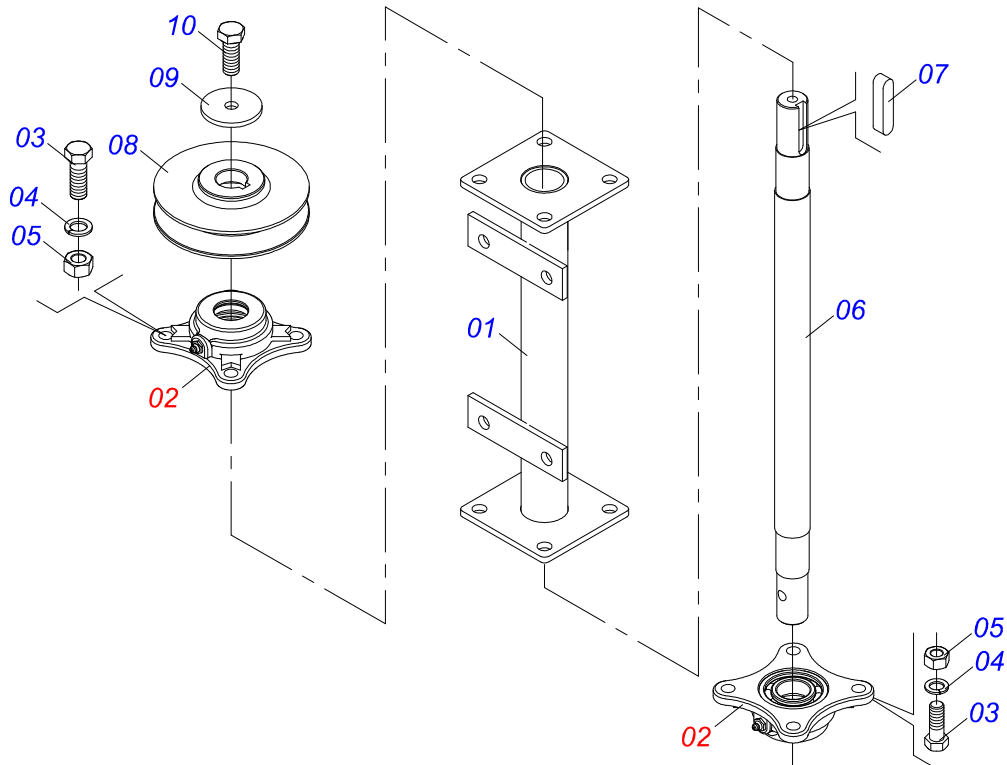
Item	Code	Description	See page	QT
01	0502011456	REDUCTION BOX		01
02	0503011095	6208 BALL BEARING		02
03	0501051774	38Z CROWN	6	01
04	0503011304	1/2" X 2.4" KEYWAY SQUARE		01
05	0503010818	02675-BRG SEAL		01
06	0521010996	AXLE		01
07	0502020556	LARGER COVER		01
08	0503010240	5/16" X 3/4" BOLT		10
09	0503010016	BEARING LM		02
10	0521010997	SCREW THEAD		01
11	0503011171	00912-BRG SEAL		01
12	0502011457	SMALLER COVER		01
13	0503030981	102 X 75,5 X 0,10 JOINT		01
14	0521011023	PLUG		01
15	0503031604	1/2" BSP PLUG		01
16	0503010856	OIL PLUG		01



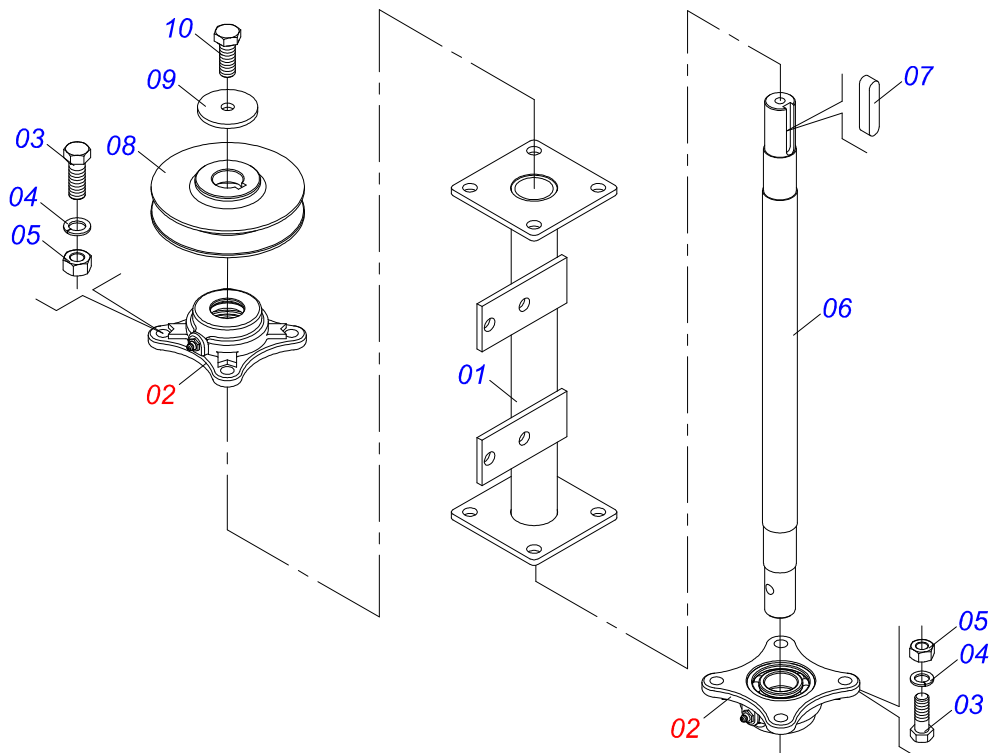
Item	Code	Description	See page	QT
01	0501110280	38Z CONICAL		01
02	0503010365	NUT		03



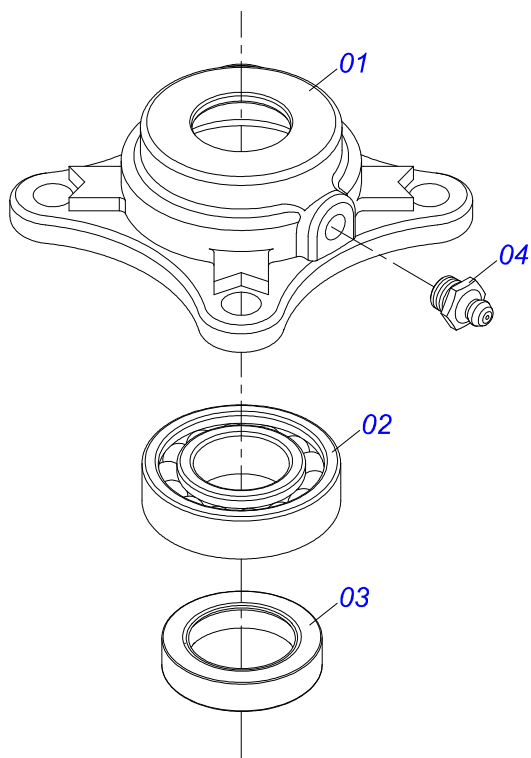
Item	Code	Description	See page	QT
01	0501066100	SUPPORT		01
02	0501065968	1C X 8.3 PULLEY TENSIONER		01
03	0503010013	5/8" NUT		02
04	0511012362	TIGHTENER AXLE PULLEY		01
05	0501019288	WASHER SPACER		02
06	0502011366	REEL 1C 8.3" X 1.6" PULLEY		01
07	0503010690	6204 BALL BEARING		02
08	0521010497	0.8" X 1.1" X 1.1" SPACER		01
09	0503010014	3/4" NUT		01
10	0503010002	1800 GREASE FITTING		01
11	0501012140	FLAT WASHER		01



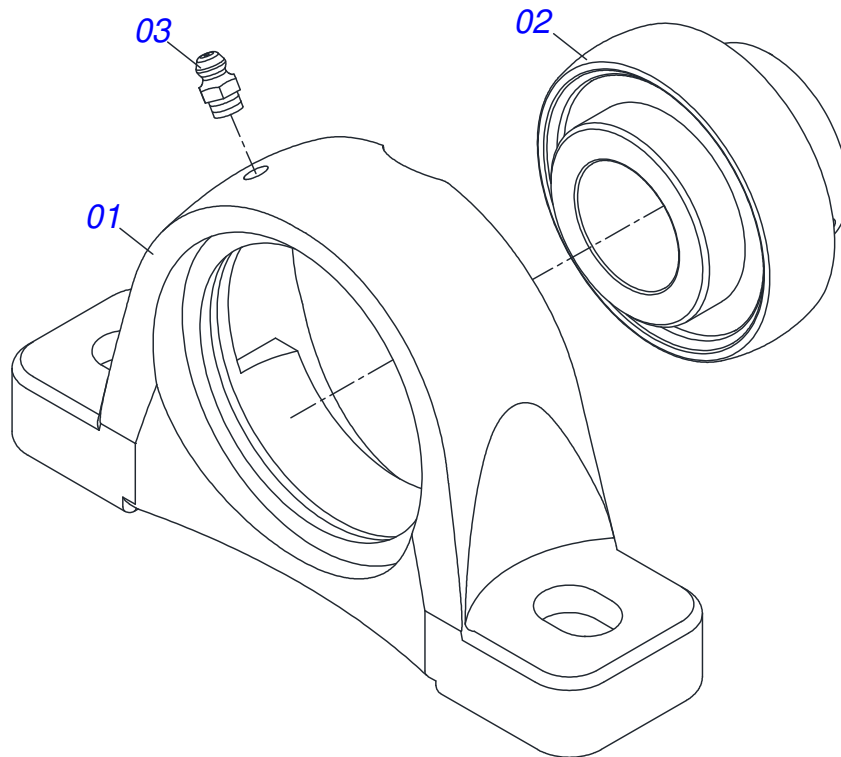
Item	Code	Description	See page	QT
01	0501067387	DISTRIBUTOR RIGHT SUPPORT DISC		01
02	0501048000	AGRICULTURAL BEARING	10	02
03	0503011102	BOLT 7/16 UNC X 1.1/4 C S G.5 ZN		08
04	0503011446	SPRING WASHER		08
05	0503010244	7/16" NUT		08
06	0511016489	DISTRIBUTOR AXLE CONDUCTOR DISC		01
07	0501010536	KEYWAY SQUARE		01
08	0502011361	REEL 1C 5.5" X 1.1" PULLEY		01
09	0511014052	FLAT WASHER		01
10	0503010355	7/16" X 1" BOLT		01



Item	Code	Description	See page	QT
01	0501067388	DISTRIBUTOR LEFT SUPPORT DISC		01
02	0501048000	AGRICULTURAL BEARING	10	02
03	0503011102	BOLT 7/16 UNC X 1.1/4 C S G.5 ZN		08
04	0503011446	SPRING WASHER		08
05	0503010244	7/16" NUT		08
06	0511016489	DISTRIBUTOR AXLE CONDUCTOR DISC		01
07	0501010536	KEYWAY SQUARE		01
08	0502011361	REEL 1C 5.5" X 1.1" PULLEY		01
09	0511014052	FLAT WASHER		01
10	0503010355	7/16" X 1" BOLT		01

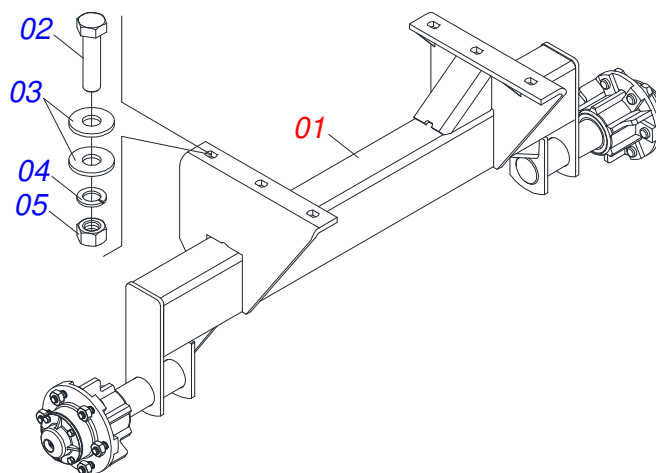


Item	Code	Description	See page	QT
01	0502011442	AGRICULTURAL HOUSING BEARING		01
02	0503010276	6206 BALL BEARING		01
03	0503011865	SEAL		01
04	0503010002	1800 GREASE FITTING		01

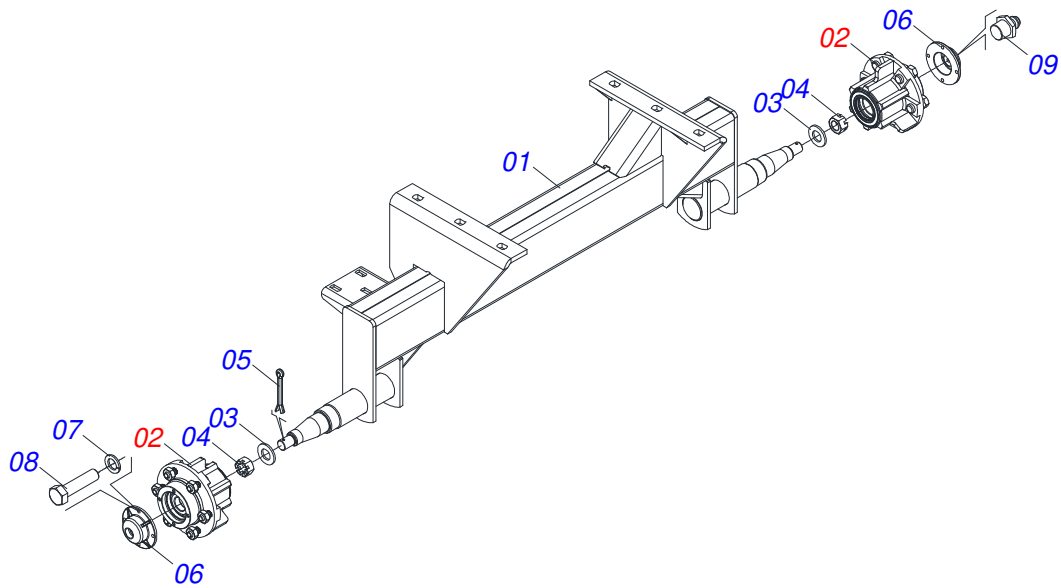


Item	Code	Description	See page	QT
01	0502011954	AGRICULTURAL HOUSING BEARING		01
02	0503011884	BALL BEARING		01
03	0503010691	1/4" GREASE FITTING		01

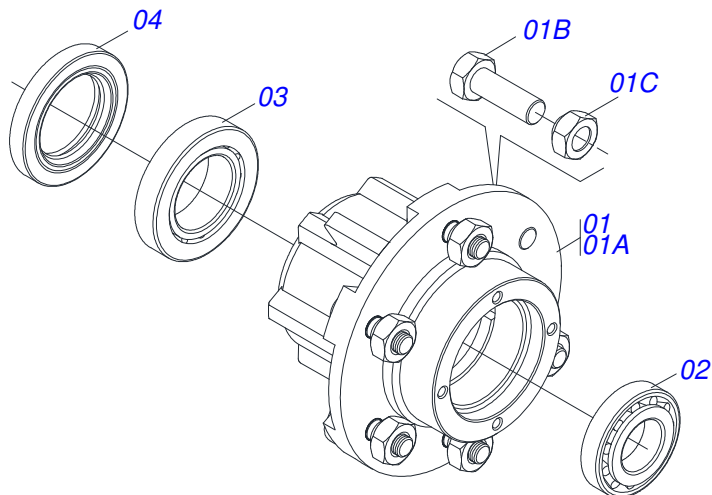




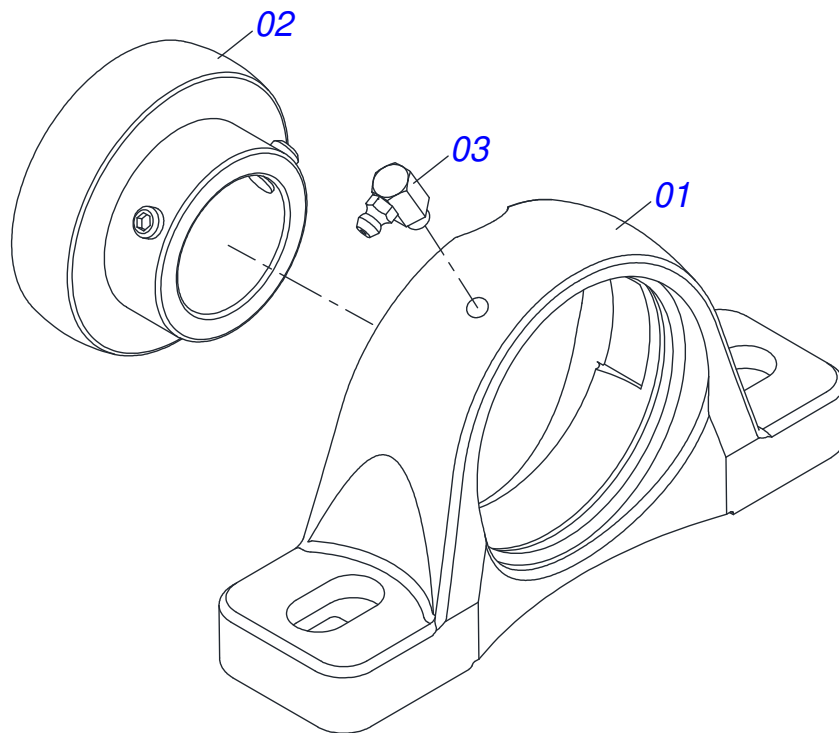
Item	Code	Description	See page	QT
01	0501049243	CARRYING-WHEEL FIXATION SUPPORT	13	01
02	0503010899	5/8" X 2-1/4" BOLT		06
03	0501812140	FLAT WASHER		06
04	0503011445	SPRING WASHER		12
05	0503810013	NUT 5/8 NC		06



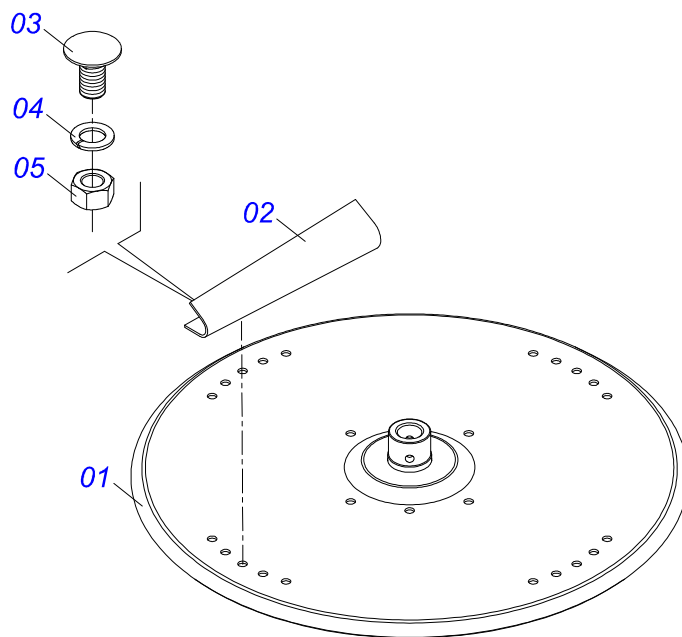
Item	Code	Description	See page	QT
01	0511061233	CARRYING-WHEEL FIXATION SUPPORT		01
02	0501051142	CARRYING WHEEL HUB	14	02
03	0511017480	FLAT WASHER		02
04	0503030009	1" CASTLE NUT		02
05	0503010018	5/32 X 1-1/2 COTTERPIN		02
06	0502020591	PROTECCION COVER		02
07	0503010179	5/16" ZN SPRING WASHER		08
08	0503010358	5/16" X 5/8" BOLT		08
09	0503010002	1800 GREASE FITTING		02



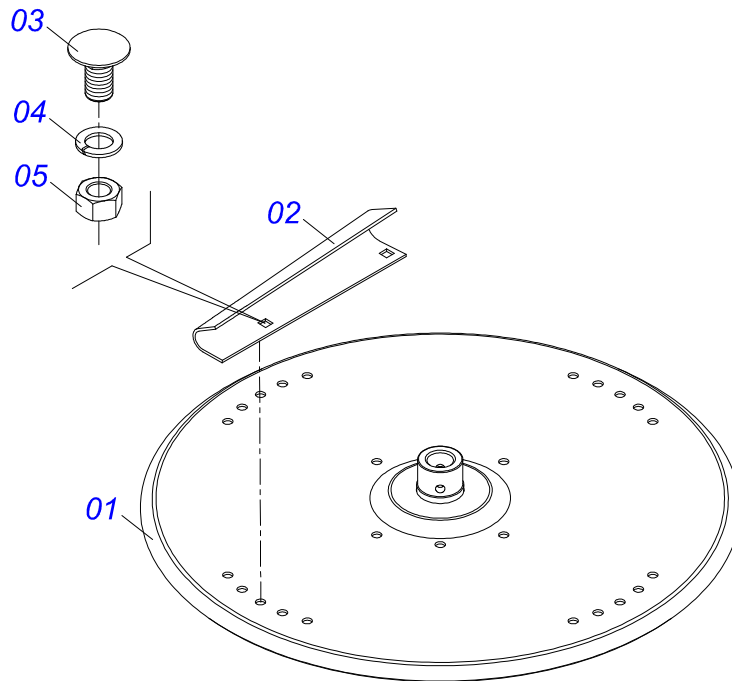
Item	Code	Description	See page	QT
01	0501110728	WHEEL HUB		01
01A	0502011121	CARRYING WHEEL HUB		01
01B	0501010127	9/16" X 1-7/8" LUG BOLT		06
01C	0503010035	9/16" CONIC NUT		06
02	0503010037	30207 ROLLER BEARING		01
03	0503010006	32210 ROLLER BEARING		01
04	0503012928	SEAL		01



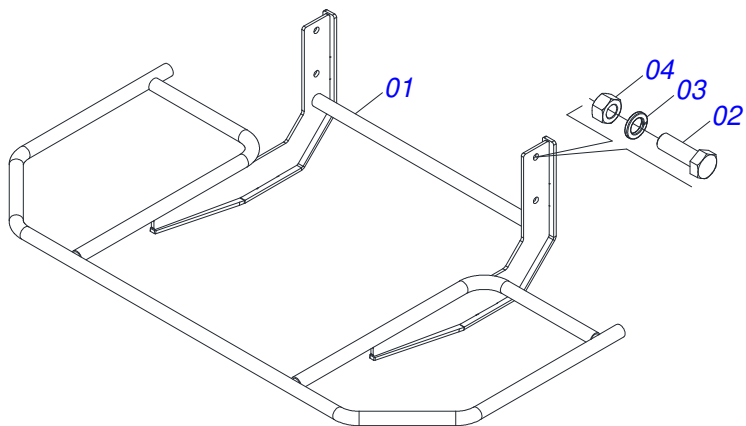
Item	Code	Description	See page	QT
01	0502011050	AGRICULTURAL HOUSING BEARING		01
02	0503011163	1108/UCR BEARING ASSY		01
03	0503010004	1890 GREASE FITTING		01



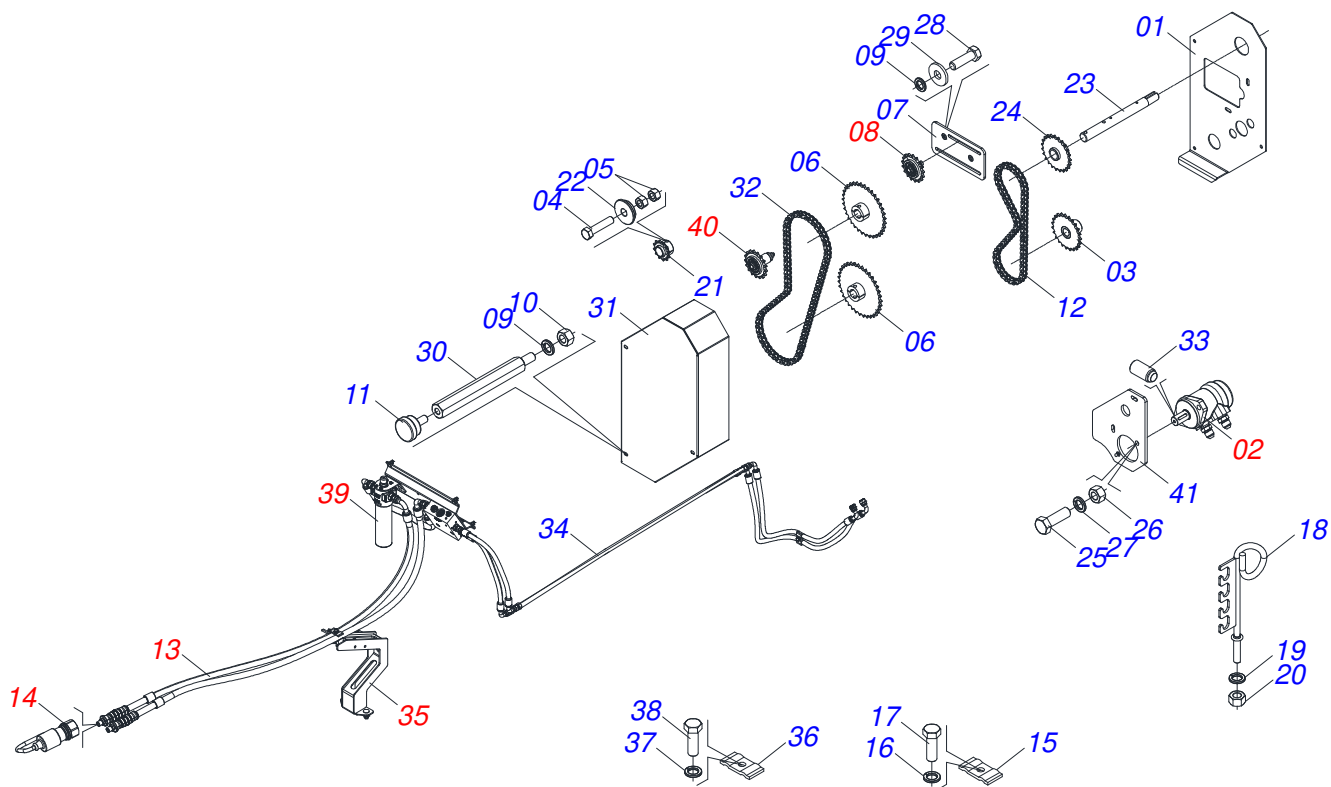
Item	Code	Description	See page	QT
01	0501069605	DISTRIBUTOR DISC		01
02	0521018637	RH FLIP		04
03	0503013029	3/8" X 3/4" BOLT		08
04	0503011443	3/8" SPRING WASHER		08
05	0503010026	3/8" NUT		08



Item	Code	Description	See page	QT
01	0501069605	DISTRIBUTOR DISC		01
02	0521018638	LH FLIP		04
03	0503013029	3/8" X 3/4" BOLT		08
04	0503011443	3/8" SPRING WASHER		08
05	0503010026	3/8" NUT		08



Item	Code	Description	See page	QT
01	0531061810	DISC PROTECTION		01
02	0503010920	1/2" X 1.1/2" BOLT		04
03	0503011440	SPRING WASHER		04
04	0503010060	1/2" NUT		04



Item	Code	Description	See page	QT
01	0571015447	PROTECTION REAR		01
02	0511053588	MOTOR HYDRAULIC OMP 80 WITH NIPPLE 7/8 20 NIPPE 7/8		01
03	0521064566	GEAR HIDRAULIC MOTOR		01
04	0503011141	3/8" X 2-3/4" BOLT		04
05	0503010026	3/8" NUT		08
06	0501069020	35Z GEAR		02
07	0521064691	SUPPORT TENSIONER		01
08	0511054496	TENSIONER SMALEER ASSY	21	01
09	0503010025	3/8" SPRING WASHER		07
10	0503010026	3/8" NUT		05
11	0503010386	CABLE		03
12	0503013061	50-1 CHAIN X 64 LINK + REDUCTION		01
13	0521057978	SIMPLE HYDRAULIC ACTUATION HOSE SET	22	01
14	0501053834	MALE QUICK COUPLER WITH CAP - 1/2 NPT	23	02
15	0531011180	UPPER BODY CLIP		04
16	0503010180	7/16" SPRING WASHER		04
17	0503011102	BOLT 7/16 UNC X 1.1/4 C S G.5 ZN		04
18	0501060409	HOSE SOPPORT ASSY		01
19	0503010023	3/4" SPRING WASHER		01
20	0503010014	3/4" NUT		01
21	0501069017	12Z GEAR		01
22	0581011125	LOCK WASHER		01
23	0571015448	DRIVE AXLE		01
24	0521063041	GEAR 23Z		01
25	0503010920	1/2" X 1.1/2" BOLT		02
26	0503010060	1/2" NUT		02
27	0503010019	1/2" SPRING WASHER		02
28	0503010849	3/8" X 1-1/2" BOLT		04
29	0501010984	FLAT WASHER		06
30	0571015189	PRISONER 3/8"		03
31	0571015450	CHAIN CAP		01

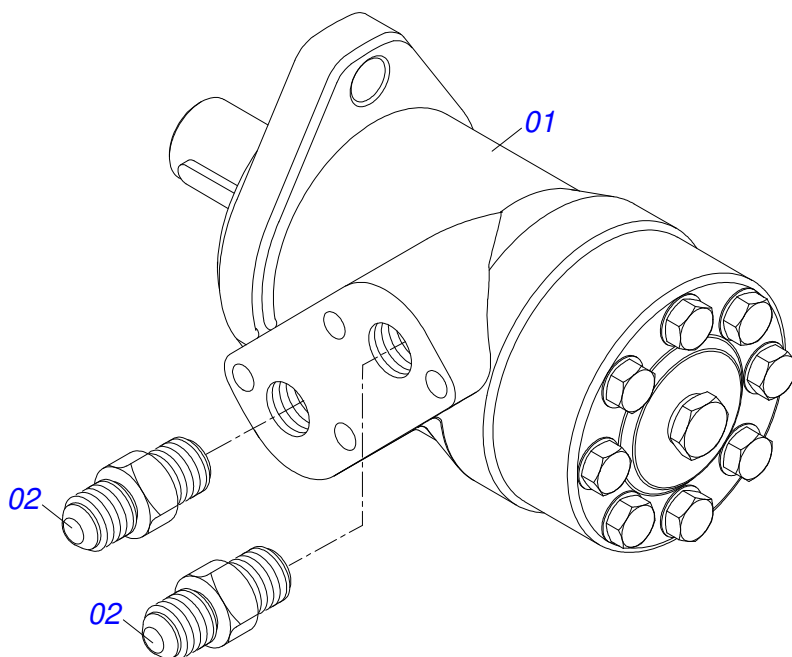




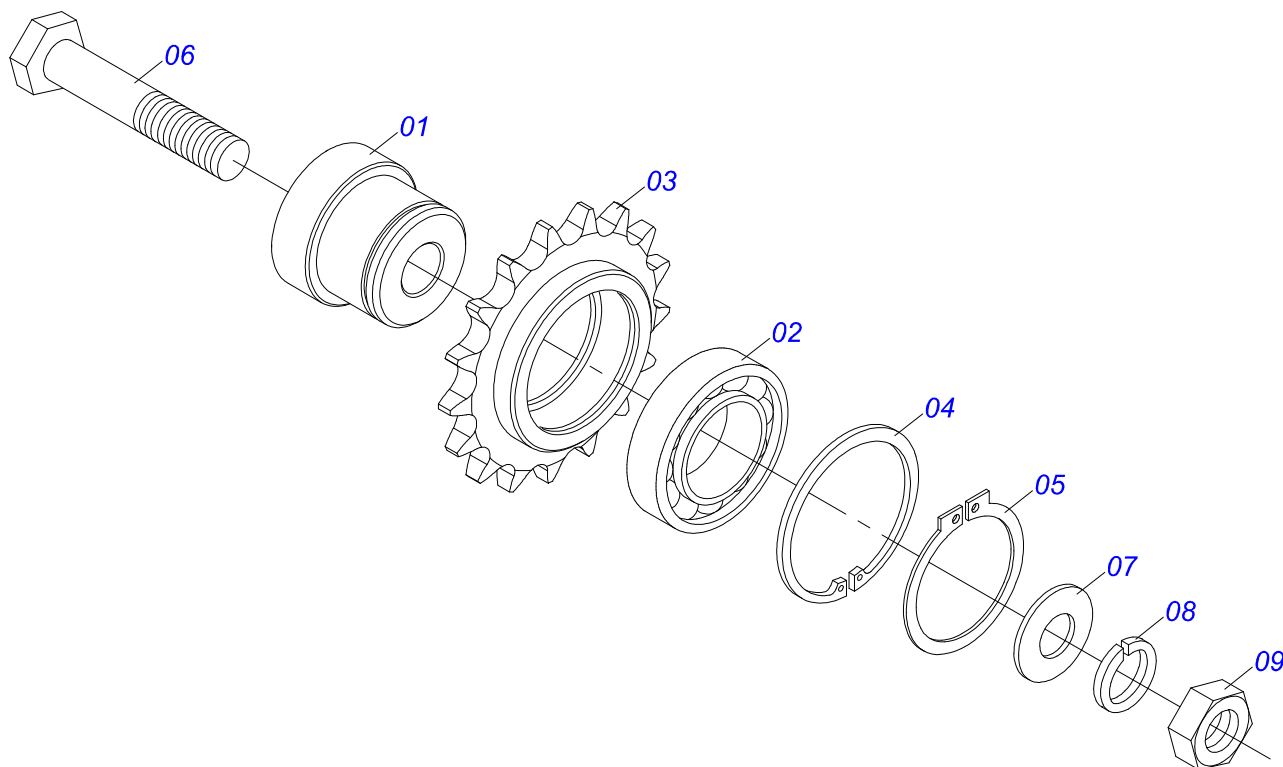
SIMPLE HYDRAULIC DRIVE SET

0521058121

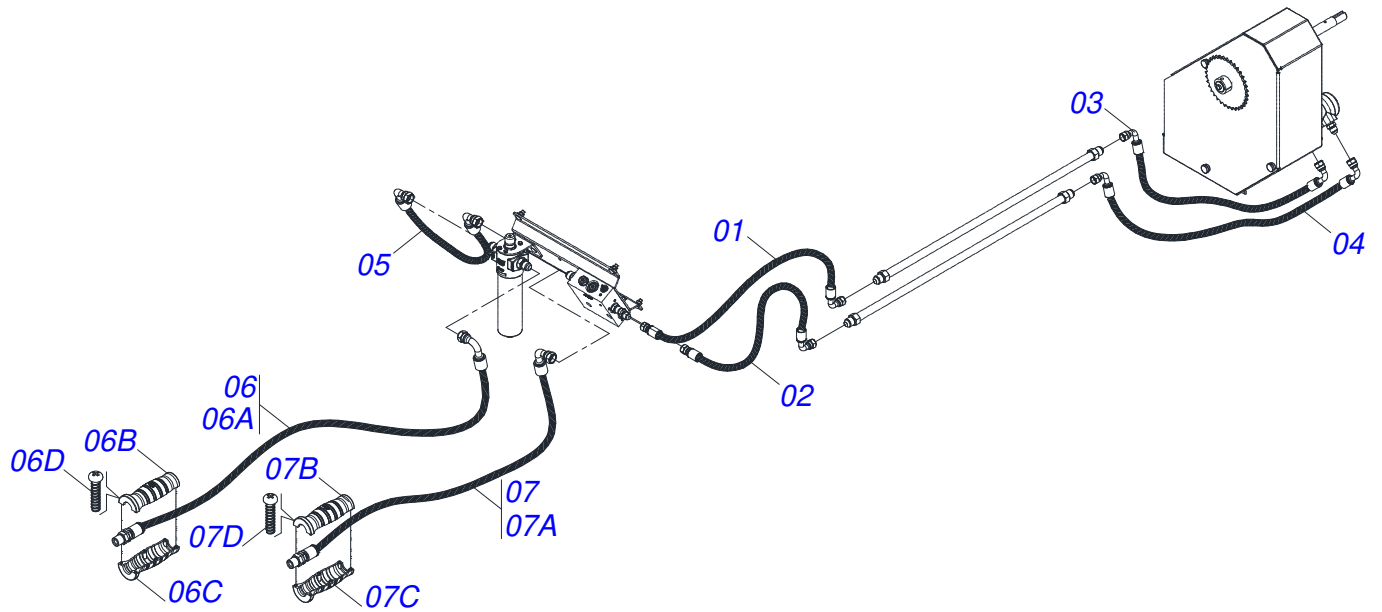
Item	Code	Description	See page	QT
32	0503013003	50-1 CHAIN X 79 LINK + REDUCTION + MENDING		01
33	0503017021	M8 X 0.5" BOLT		01
34	0531060040			02
35	0521058094	SUPPORT HOSE	24	01
36	0531011180	UPPER BODY CLIP		03
37	0503010180	7/16" SPRING WASHER		03
38	0503011102	BOLT 7/16 UNC X 1.1/4 C S G.5 ZN		03
39	0521057951	SUPPORT SIMPLE HYDRAULIC DRIVE	25	01
40	0511054497	TENSIONER LARGER ASSY	29	01
41	0571015182	HIDRAULIC MOTOR SUPPORT		01



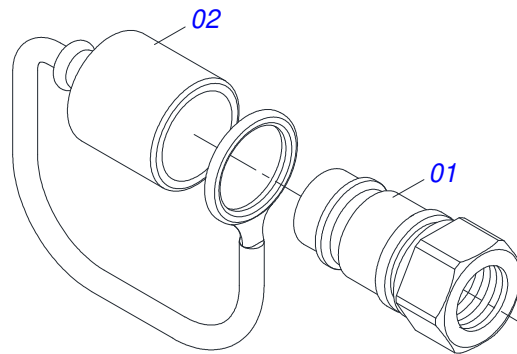
Item	Code	Description	See page	QT
01	0503016055	MOTOR HYDRAULIC PARKER OMP 80 ISOBUS		01
02	0511014065	7/8" NF X R1/2NPT X 52 NIPPLE		02



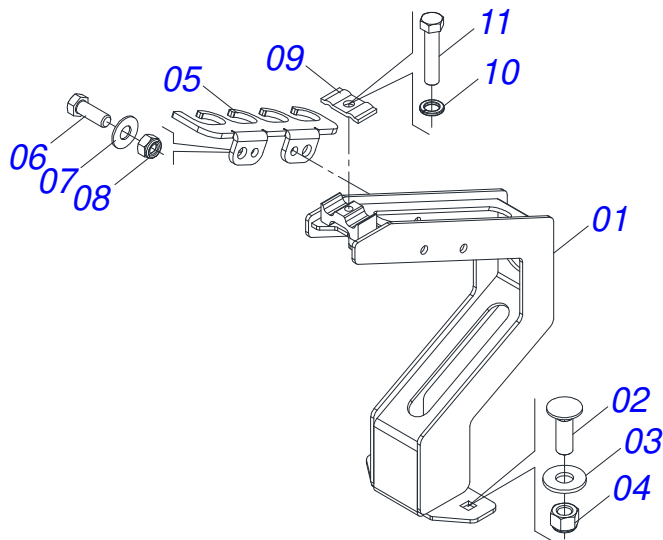
Item	Code	Description	See page	QT
01	0571015185	AXLE TIGHTENER 26 DCA		01
02	0503011410	ROLLER BEARING		01
03	0511061836	17Z GEAR		01
04	0503011105	SEAL RING		01
05	0503010406	501025 CLAMPING RING (FOR AXLE)		01
06	0501010096	3/8" X 2" BOLT		01
07	0501010984	FLAT WASHER		01
08	0503010025	3/8" SPRING WASHER		01
09	0503010026	3/8" NUT		01



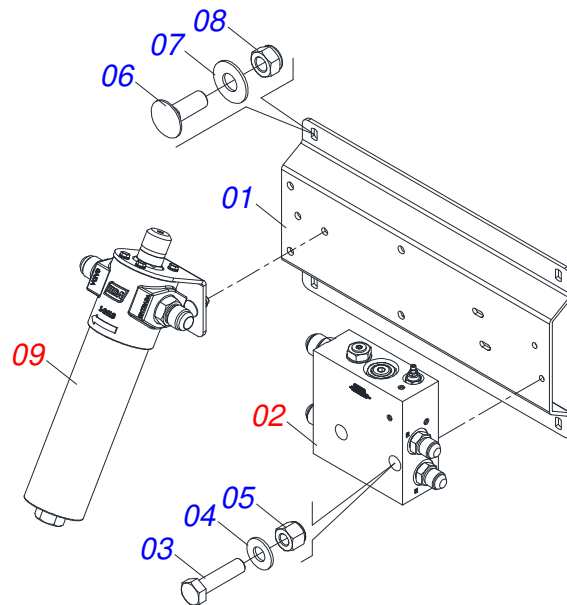
Item	Code	Description	See page	QT
01	0501081235	1/2 X 650 TR- TC HOSE		01
02	0501080218	1/2 X 750 HOSE		01
03	0501082303	HOSE 1/2 X 930 TC-TC 90G		01
04	0501082304	1/2 X 1000 TR-TC HOSE		01
05	0501081365	HOSE 3/4 X 680 TC-TC 180G		01
06	0521057977	HOSE 3/4 X 2100 TC-TM AMARILLO/AZUL		01
06A	0501082295	HOSE 3/4 X 2100 TC - TM R.1/2NPT		01
06B	0503034493	HYDRAULIC HOSE DEPTH (YELLOW)		01
06C	0503034494	HYDRAULIC HOSE GRIP (BLUE)		01
06D	0503018952	PLASTIC BOLT		06
07	0521057976	HOSE 3/4 X 2100 TC-TM YELLOW/RED		01
07A	0501082295	HOSE 3/4 X 2100 TC - TM R.1/2NPT		01
07B	0503034493	HYDRAULIC HOSE DEPTH (YELLOW)		01
07C	0503034495	HYDRAULIC HOSE GRIP (RED)		01
07D	0503018952	PLASTIC BOLT		06



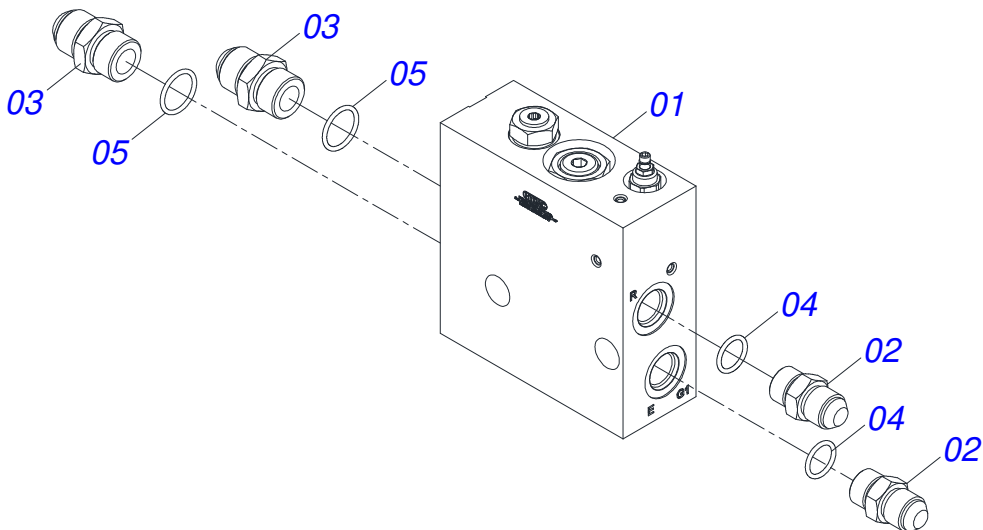
Item	Code	Description	See page	QT
01	0503011627	MALE QUICK COUPLER AGR 1/2 NPT		01
02	0503011882	MALE QUICK COUPLER CAP		01



Item	Code	Description	See page	QT
01	0531060944	HOSE HOLDER ASSY		01
02	0503014378	1/2" X 1-1/2" BOLT		02
03	0511017302	FLAT WASHER		02
04	0503010589	1/2" UNC SELF ADJUSTING NUT		02
05	0591018556	HOSE FIXER ASSY		01
06	0503011087	3/8" X 1" BOLT		02
07	0501013518	FLAT WASHER		02
08	0503013357	3/8" SELF-ADJUSTING NUT		02
09	0531011180	UPPER BODY CLIP		01
10	0503010180	7/16" SPRING WASHER		01
11	0503011173	7/16" X 2" BOLT		01

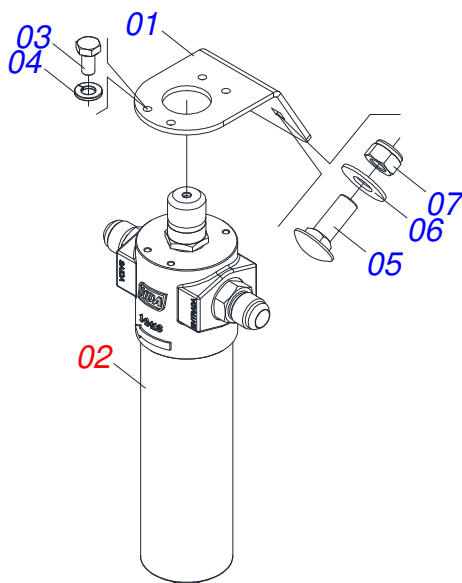


Item	Code	Description	See page	QT
01	0591013644	SUPPORT SET HIDRAULICO		01
02	0521057953	BLOCK HYDAC	26	01
03	0503011766	5/16" X 2-1/2" BOLT		02
04	0501010694	8.5 X 18 X 1.5 FLAT WASHER		02
05	0503013759	NUT		02
06	0501011643	3/8 X 1" BOLT		04
07	0501013518	FLAT WASHER		04
08	0503013357	3/8" SELF-ADJUSTING NUT		04
09	0521057952	FILTER PRES PARKER HDA FP20 10FV 06B LV6	27	01

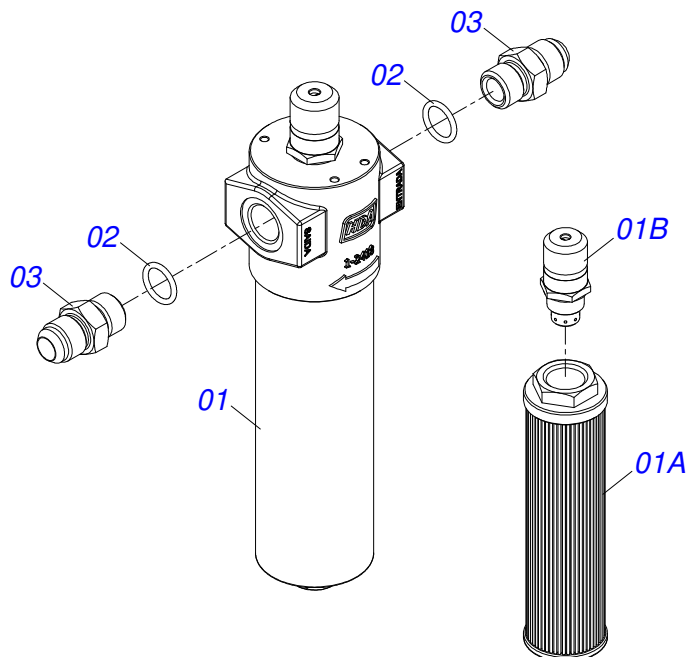


Item	Code	Description	See page	QT
01	0503063271	BLOCK		01
02	0501010590	NIPPLE		02
03	0501010589	R. 1.1/16UN SEXT 1.1/4 X 52 NIPPLE		02
04	0503010045	O'RING		02
05	0503011109	2-119 N 3006-9B O'RING		02

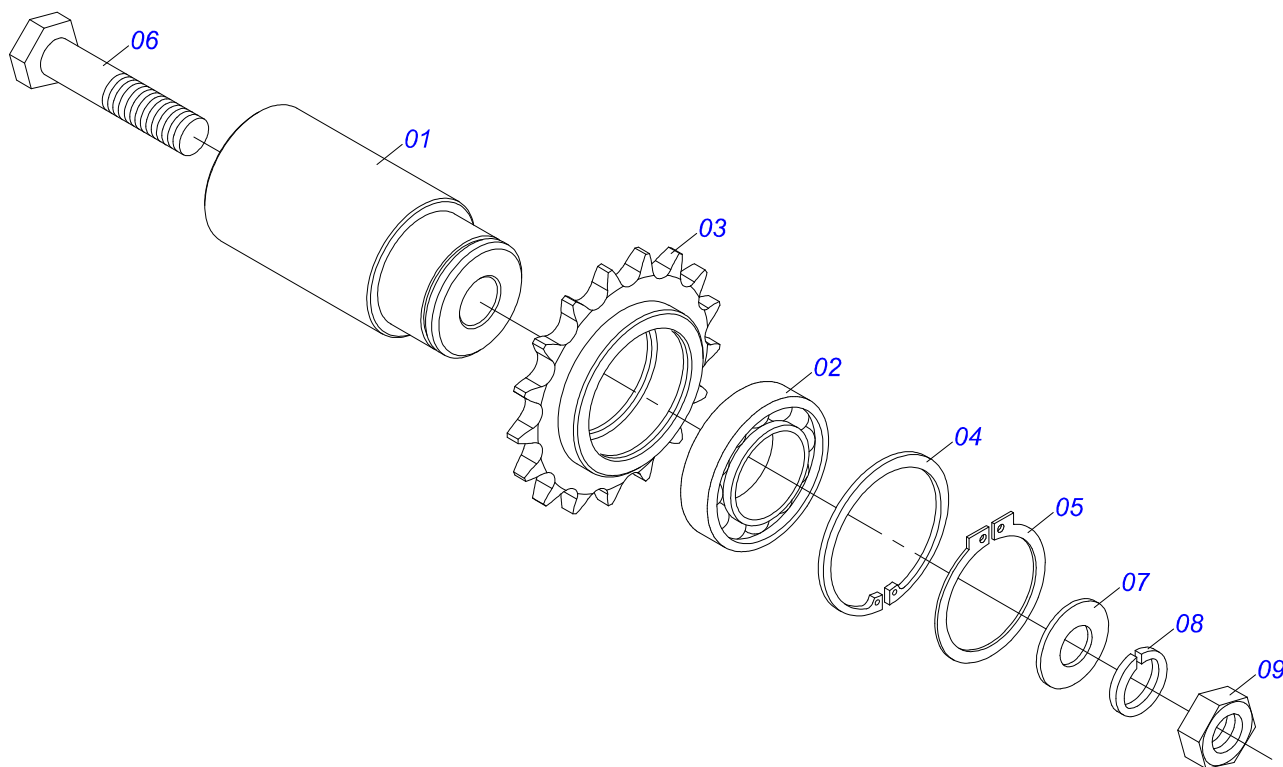




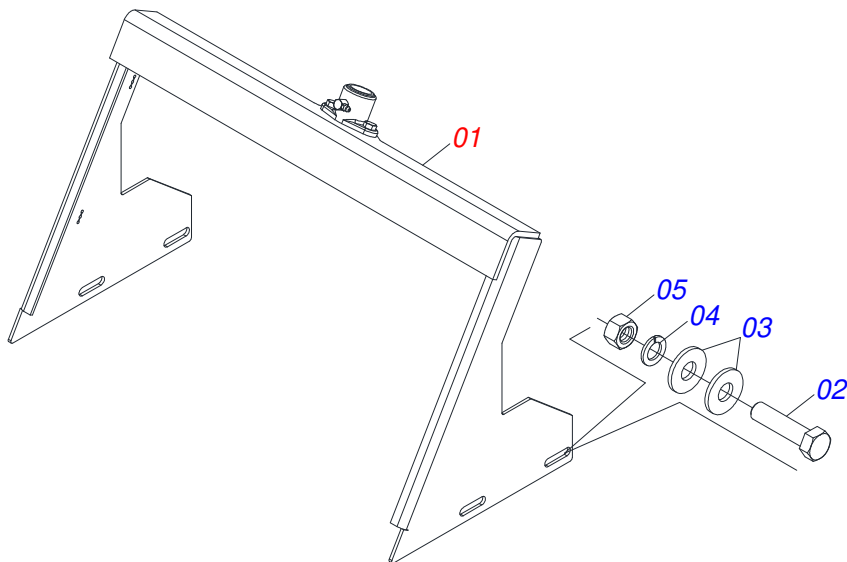
Item	Code	Description	See page	QT
01	0591013645	PRESSURE FILTER SUPPORT		01
02	0521057599	FILTER PRESS PARKER HDA FP20 10FV 06B LV6 28 WITH NIPPLE		01
03	0503011812	BOLT M6 X 1 X 12 CS 8.8 ZN		04
04	0503010143	1/4" SPRING WASHER		04
05	0501011643	3/8 X 1" BOLT		02
06	0501013518	FLAT WASHER		02
07	0503013357	3/8" SELF-ADJUSTING NUT		02



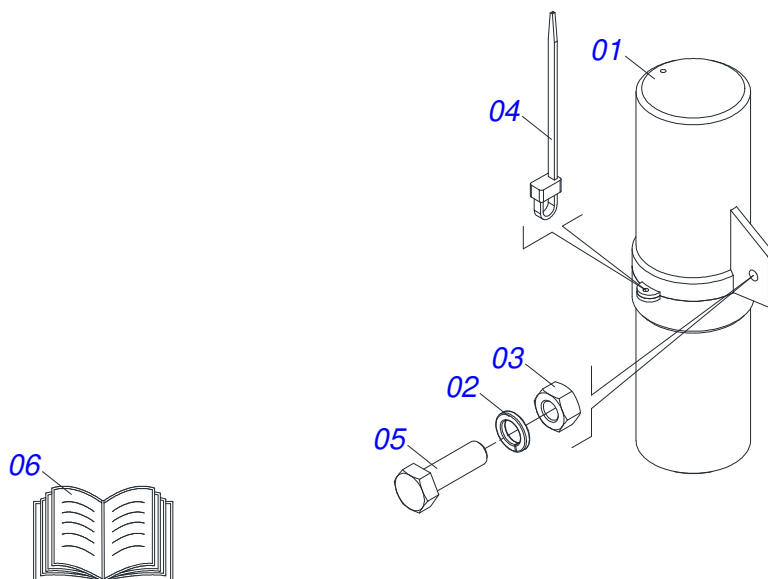
Item	Code	Description	See page	QT
01	0503063077	PRESSURE FILTER PARKER HDA FP20 10FV 06B LV6		01
01A	0503035357	FILTERING ELEMENT FOR PRESSURE FILTER		01
01B	0503019963	DIRT PRESSURE LINE INDICATOR		01
02	0503010605	O'RING		02
03	0591012696	NIPPLE 3/4 BSP X 1.1/16 UNF		02



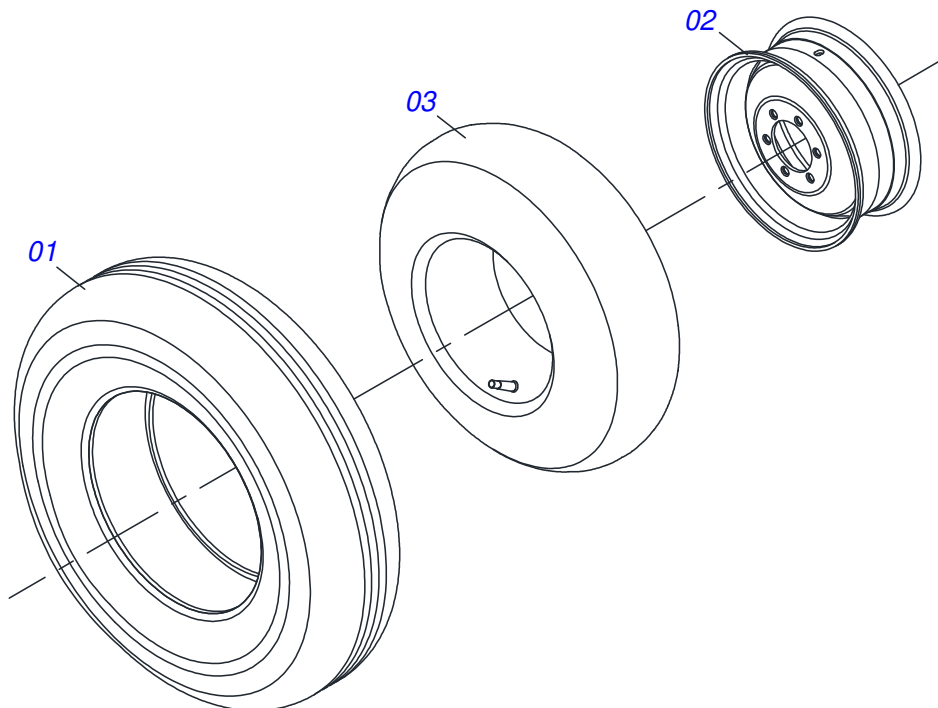
Item	Code	Description	See page	QT
01	0571015186	AXLE TIGHTENER 26 DCA		01
02	0503011410	ROLLER BEARING		01
03	0511061836	17Z GEAR		01
04	0503011105	SEAL RING		01
05	0503010406	501025 CLAMPING RING (FOR AXLE)		01
06	0503010718	3/8" X 3-1/2" BOLT		01
07	0501010984	FLAT WASHER		01
08	0503010025	3/8" SPRING WASHER		01
09	0503010026	3/8" NUT		01



Item	Code	Description	See page	QT
01	0501054846	SLUICE VALVE SUPPORT		01
02	0503010751	C3/8" X 1.1/4" HEX BOLT G.5		04
03	0501010984	FLAT WASHER		08
04	0503010025	3/8" SPRING WASHER		04
05	0503010026	3/8" NUT		04



Item	Code	Description	See page	QT
01	0503060100	OPERATOR'S MANUAL STORAGE TUBE		01
02	0503010179	5/16" ZN SPRING WASHER		01
03	0503010337	5/16" NUT		01
04	0503010267	NYLON CLAMP		01
05	0503010363	5/16" X 1" BOLT		01
06	0501032417	BAG WITH INSTRUCTION MANUAL/CATALOG		01



Item	Code	Description	See page	QT
01	0503010120	CANVAS TIRE		01
02	0521062708	WHEEL 5,50 X 16 X 118 X 6F 16,50 X 152,40		01
03	0503010033	7.50 X 16 INNER TIRE		01





**MARCHESAN**

**Technical Publications | Elaboration and Revision**

LORENA ROCHA ALVES

[www.marchesan.com.br](http://www.marchesan.com.br)

