

SEEDERS

PSA3 - 15L/E175

Code: 0501093152
Series: S-0499
Revision: 00
Date Revision: SETEMBRO/2021

PARTS CATALOGUE



MARCHESAN



PRODUCTS

Code	Description
0112030257	PSA3 15/15 DD PN COM LARGO CXF S499

ATTENTION: IMPORTANT

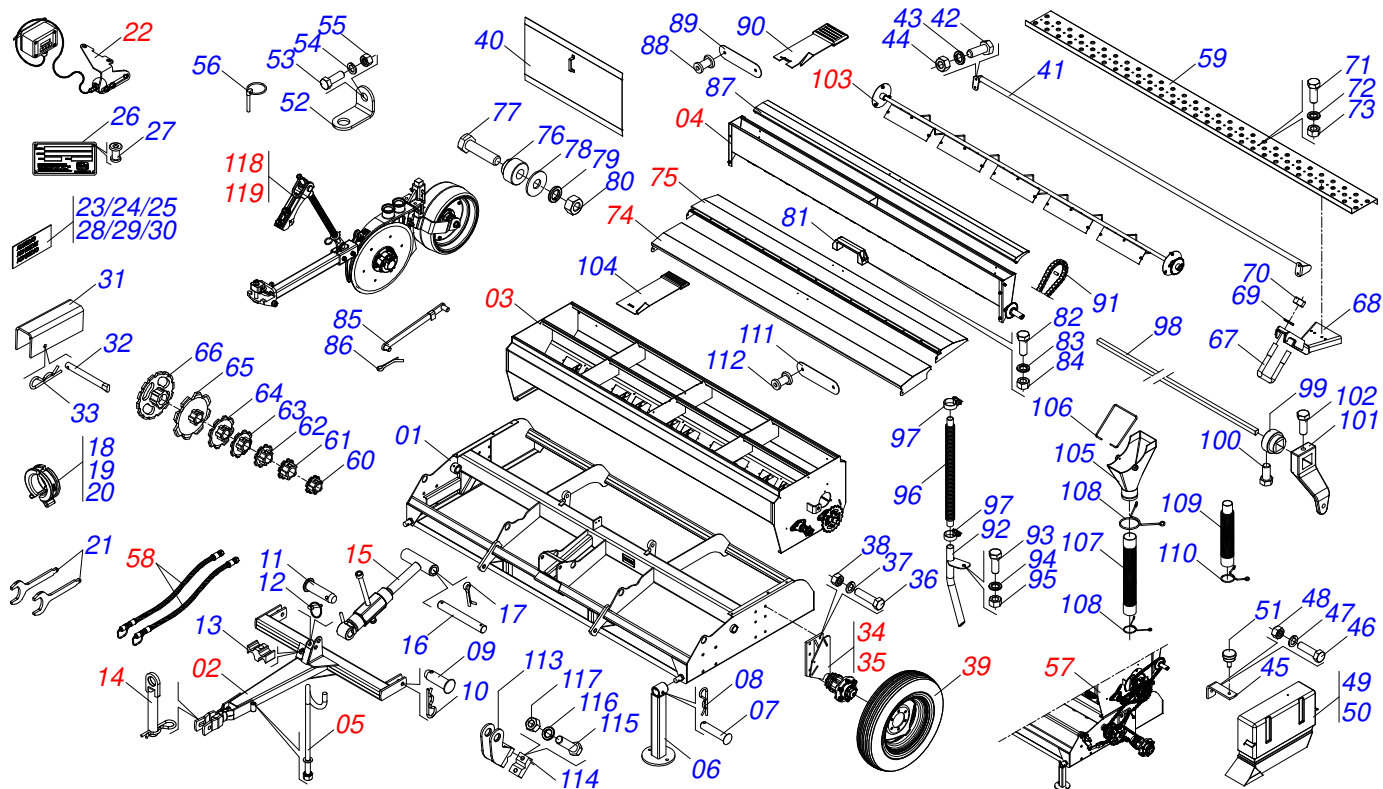
Marchesan S.A. reserves the right to improve and / or modify the technical features of its products, without obligation to do the same with those products already sold and without prior knowledge of the dealer or the consumer.



MARCHESAN

INDEX

0909096008	ASSY FRAME	1
0501047956	DRAWBAR ASSY	2
0501048758	COMPLETE FERTILIZER/SEED ASSEMBLY BOX	3
0501051392	SEMI ASSEMBLED FERTILIZER SYSTEM SHAFT	4
0501051366	BEARING ASSY	5
0501051393	SEED SYSTEM ASSY	6
0501053462	LEFT BEARING BOX FOR FINE SEED	7
0501051536	SEMI MOUNTED FINE SEED BOX	8
0501049170	HOSE HOLDER ASSY	9
0501047881	AXIS JOINT ASSY	10
0501048668	ESTABILIZER ASSY	11
0511058833	SET HECTAREA	12
0501051401	RIGHT WHEEL WITHOUT TIRE	13
0501051402	LEFT WHEEL WITHOUT TIRE	14
0501051142	CARRYING WHEEL HUB	15
0503060094	WHEEL AND TIRE ASSY	16
0909096009	RIGHT TRANSMISSION ASSY	17
0501047420	RIGHT TRANSMISSION DRIVING	18
0511056594	RATCHET REGULATOR	19
0501043283	ASSY LEFT CHAIN STRETCHER	20
0501052014	CHAIN TIGHTENER AXLE ASSY	21
0909096011	HYDRAULIC ASSY	22
0511058421	38,10X63,50X405X170 HYDRAULIC CYLINDER	23
0501053834	MALE QUICK COUPLER WITH CAP - 1/2 NPT	24
0501052195	FERTILIZER BOX COVER ASSY	25
0501052203	SEED BOX COVER ASSY	26
0909096012	MIXER ASSY	27
0501052652	LONG LINE SEMI MOUNTED ASSY	28
0501052651	SHORT LINE SEMI MOUNTED ASSY	29
0501050993	DOUBLE DISC ASSY	30
0501052614	LONG WHEEL COMPACTOR ASSY	31
0521055431	LONG COMPACTOR WHEEL	32



Item	Code	Description	See page	QT
001	0511060498	FRAME		01
002	0501047956	DRAWBAR ASSY	2	01
003	0501048758	COMPLETE FERTILIZER/SEED ASSEMBLY BOX	3	01
004	0501051536	SEMI MOUNTED FINE SEED BOX	8	01
005	0501049170	HOSE HOLDER ASSY	9	01
006	0511060374	PLOUGH SUPPORT 365		02
007	0521010549	COUPLING SHAFT		02
008	0503030168	HAIR PIN		02
009	0521010572	0.9" X 2.9" COUPLING SHAFT		02
010	0503031035	HAIR PIN		02
011	0521010575	C0.9" X 3.3" COUPLING SHAFT		01
012	0503030085	LOCK PIN		01
013	0502012702	BODY SUPPORT CLAMP		01
014	0501047881	AXIS JOINT ASSY	10	01
015	0501048668	ESTABILIZER ASSY	11	01
016	0521014192	1" X 8.46" AXLE		01
017	0503010571	1/4" X 1.1/2 COTTERPIN		02
018	0501047895	ROD STOP		04
019	0501047885	ROD STOP		02
020	0501047887	ROD STOP		02
021	0531017911	SEED REGULATOR WRENCH		02
022	0511058833	SET HECTAREA	12	01
023	0503033884	ADHESIVE LABEL		01
024	0503033883	ADHESIVE LABEL		01
025	0503033853	ADHESIVE LABEL		02
026	0503034003	SERIAL NUMBER TAG 61 X 118		01
027	0503010001	3.2 X 5.5 RIVET		04
028	0503032061	ADHESIVE LABEL DANGER PLATFORM		01
029	0503031141	ADHESIVE LABEL		01
030	0503034647	ADHESIVE LABEL COLORS		01
031	0511019182	6.57" X 1.57" TRANSPORT LOCK		02



ASSY FRAME

0909096008

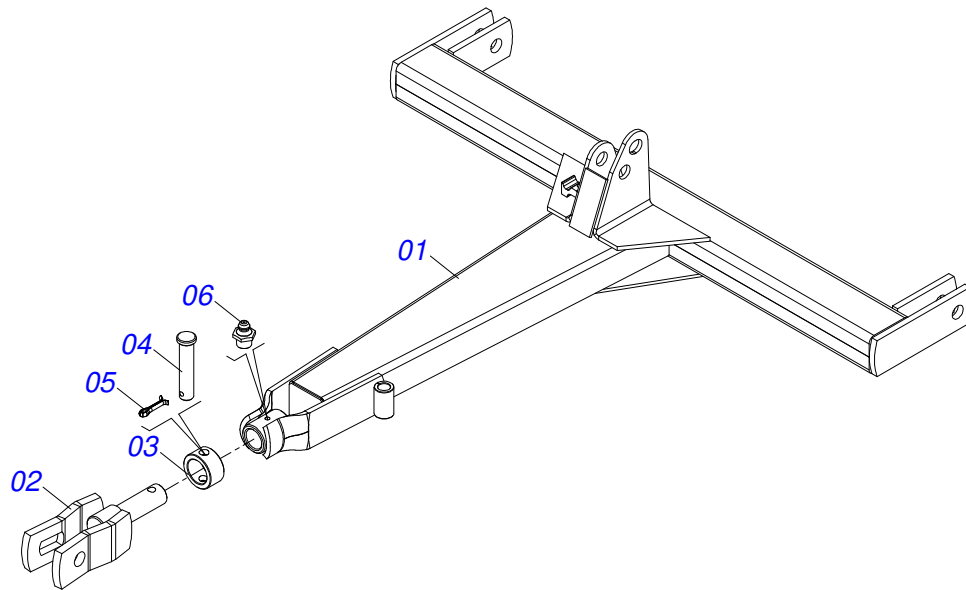
Item	Code	Description	See page	QT
032	0501017574	0.3" X 2.7" AXLE		02
033	0503030168	HAIR PIN		02
034	0501051401	RIGHT WHEEL WITHOUT TIRE	13	01
035	0501051402	LEFT WHEEL WITHOUT TIRE	14	01
036	0503010762	SCREW 5/8 UNC X 3.1/2 CS G.5 ZN		08
037	0503010027	5/8" SPRING WASHER		08
038	0503010013	5/8" NUT		08
039	0503060094	WHEEL AND TIRE ASSY	16	02
040	0501068570	FERTILIZER/SEED FALSE BOTTOM		04
041	0501069929	97.24 HANDRAIL		01
042	0503010358	5/16" X 5/8" BOLT		04
043	0503010179	5/16" ZN SPRING WASHER		04
044	0503010337	5/16" NUT		04
045	0511016005	FIXER L COVER INNER/OUTER		04
046	0503011087	3/8" X 1" BOLT		04
047	0503010025	3/8" SPRING WASHER		04
048	0503010026	3/8" NUT		04
049	0521014097	RIGHT CHAIN COVER		01
050	0521014096	LEFT CHAIN COVER		01
051	0503010386	CABLE		04
052	0511015423	WRENCH SUPPORT		01
053	0503010256	3/8" X 3/4" BOLT		01
054	0503010025	3/8" SPRING WASHER		01
055	0503010026	3/8" NUT		01
056	0503030119	LOCK PIN		01
057	0909096009	RIGHT TRANSMISSION ASSY	17	01
058	0909096011	HYDRAULIC ASSY	22	01
059	0511019180	112.2" PLATFORM		01
060	0502011306	6Z P 1.2" RH 1.4" GEAR		01
061	0502011317	10Z P 1.2" RH 1.3/8" GEAR		01
062	0502011322	11Z P 1.2" RH 1.3/8" GEAR		01
063	0502011324	12Z P 1.2" RH 1.4" GEAR		02
064	0502011334	14Z P 1.2" RH 1.4" GEAR		01
065	0502011341	16Z P 1.2" RH 0.8" GEAR		01
066	0501069780	24Z GEAR		01
067	0521010669	5/8" X 4.33" X 3.46" HOLDER		03
068	0511060519	PLATFORM FIXATION SUPPORT		03
069	0503010027	5/8" SPRING WASHER		06
070	0503010013	5/8" NUT		06
071	0503010237	3/8" X 1" BOLT		04
072	0503010025	3/8" SPRING WASHER		04
073	0503010026	3/8" NUT		04
074	0501052195	FERTILIZER BOX COVER ASSY	25	01
075	0501052203	SEED BOX COVER ASSY	26	01
076	0521010223	BOX COVER BUSHING		05
077	0503010365	NUT		08
078	0501010694	8.5 X 18 X 1.5 FLAT WASHER		04
079	0503010179	5/16" ZN SPRING WASHER		08
080	0503010337	5/16" NUT		08
081	0503011907	PMC 594-S NYLON LUG		03
082	0503010358	5/16" X 5/8" BOLT		08
083	0503010179	5/16" ZN SPRING WASHER		04
084	0503010337	5/16" NUT		04
085	0501069301	COVER PIVOT		02
086	0503010140	1/8" X 3/4" COTTERPIN		04
087	0501068867	FINE SEED BOX CAP		01
088	0503010001	3.2 X 5.5 RIVET		02
089	0503030885	SEED DOSADOR SCALE		01
090	0503050042	FINE SEED DISTR BOX INTER		15



ASSY FRAME

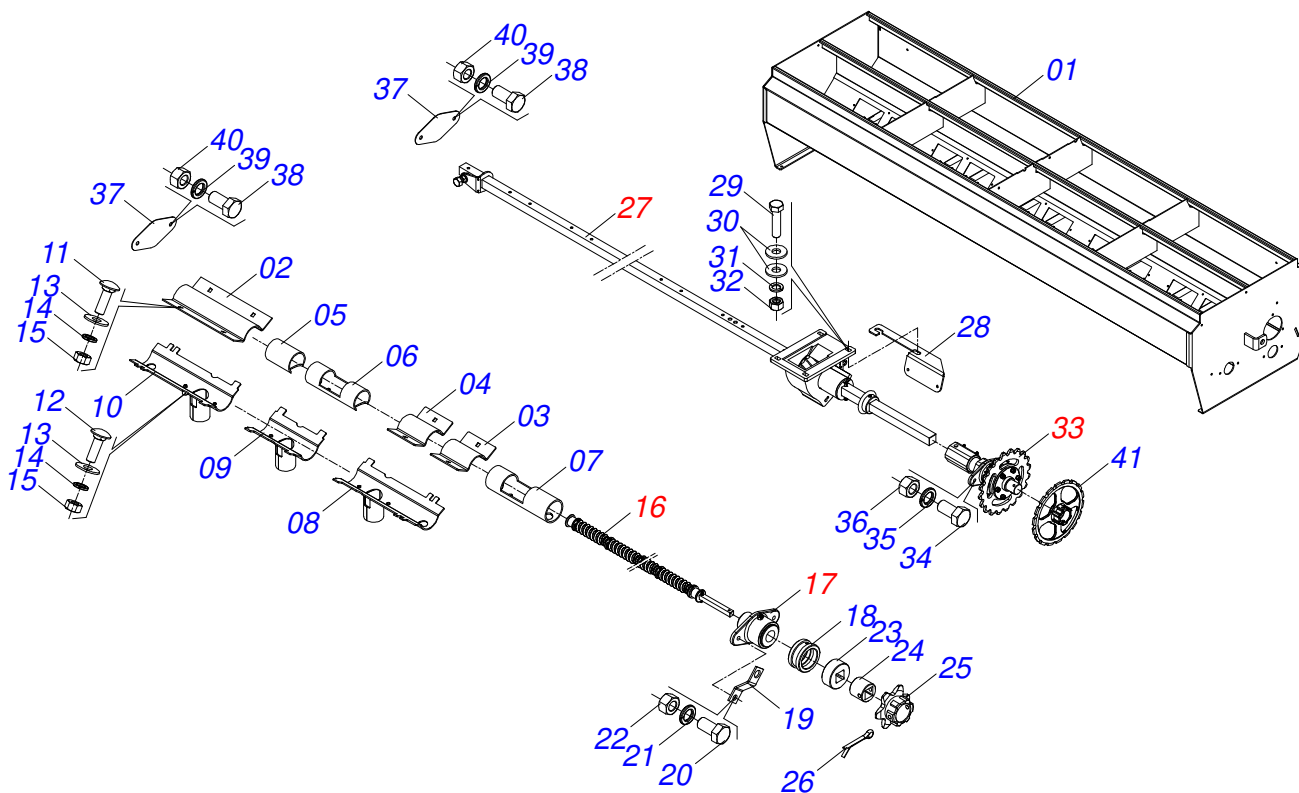
0909096008

Item	Code	Description	See page	QT
091	0503011954	40-1 X 3.58 CHAIN LINK + MENDING		01
092	0511060950	FINE SEED NOZZLE		15
093	0503010256	3/8" X 3/4" BOLT		15
094	0503010025	3/8" SPRING WASHER		15
095	0503010026	3/8" NUT		15
096	0503030616	17" X 17" X 15.7"HOSE		15
097	0503011342	3/4" TO 1 CLAMP		15
098	0511019374	LIFTING AXLE LINES		01
099	0511019257	BUSHING WITH HOLE SQUARE		05
100	0503010237	3/8" X 1" BOLT		01
101	0502010884	RATCHET DRIVING		01
102	0503010834	1/2 X 1 BOLT		01
103	0909096012	MIXER ASSY	27	01
104	0503050060	SEED DISTRIBUTOR BOX SWITCH		15
105	0503010369	SEED SOCKET		15
106	0503030756	SOCKET FASTENER		15
107	0503030408	2X2X390 HOSE		15
108	0503031076	2" HOSE CLAMP		30
109	0503010368	1.1/2" X 2" X 12.2" HOSE		15
110	0503030887	1-1/2" HOSE CLAMP		15
111	0503030886	SCALE DOSER		01
112	0503010001	3.2 X 5.5 RIVET		04
113	0501068492	DEPTH SUPPORT ADJUSTING		02
114	0511019752	DEPTH SUPPORT ADJUSTING BRACKET		02
115	0503010479	BOLT		04
116	0503010019	1/2" SPRING WASHER		04
117	0503010060	1/2" NUT		04
118	0501052652	LONG LINE SEMI MOUNTED ASSY	28	08
119	0501052651	SHORT LINE SEMI MOUNTED ASSY	29	07



Item	Code	Description	See page	QT
01	0501069104	DRAWBAR		01
02	0501064967	TRACTOR HITCH		01
03	0521016397	1.55" X 2.16" X 1.10" SLEEVE		01
04	0521016396	0.55" X 2.36" COUPLING SHAFT		01
05	0503010071	3/16" X 1" COTTERPIN		01
06	0503010002	1800 GREASE FITTING		01
07	1882970002	GREASE SOAP		0,001Kg

COMPLETE FERTILIZER/SEED ASSEMBLY BOX



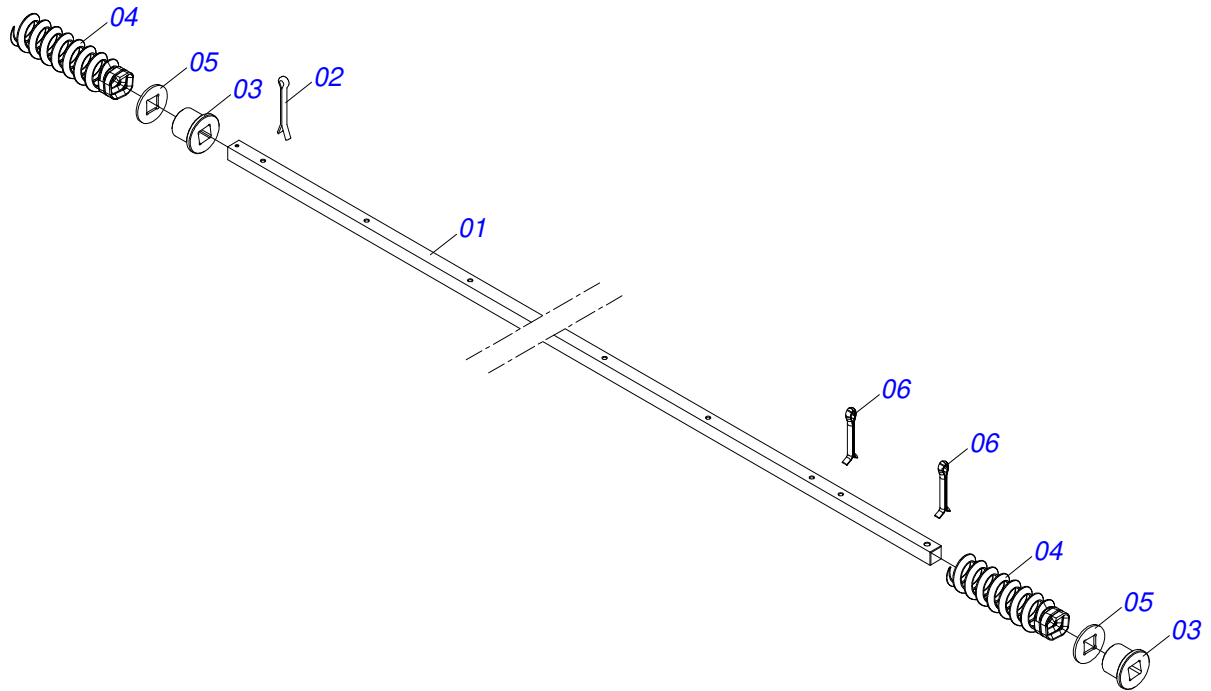
Item	Code	Description	See page	QT
01	0511060532	BOX FERTILIZER SEED		01
02	0511019115	FIXER FERTILIZER CONDUCTOR 257		01
03	0511019233	3.07 FERTILIZER CONDUCTOR FIXER		01
04	0511019234	3.93 FERTILIZER CONDUCTOR FIXER		14
05	0511019238	3.30 FERTILIZER TUBE		01
06	0511019239	6.89 FERTILIZER TUBE		14
07	0511019237	7.79 FERTILIZER TUBE		01
08	0501068547	LEFT SIDE FERTILIZER CONDUCTOR		01
09	0501068533	LEFT FERTILIZER CONDUCTOR		13
10	0501068823	RIGHT SIDE FERTILIZER CONDUCTOR		01
11	0503011953	5/16" X 1" BOLT		04
12	0503011952	5/16" X 3/4" BOLT		60
13	0521011039	FLAT WASHER		64
14	0503011444	SPRING WASHER		64
15	0503010337	5/16" NUT		64
16	0501051392	SEMI ASSEMBLED FERTILIZER SYSTEM SHAFT	4	01
17	0501051366	BEARING ASSY	5	01
18	0511019183	1.51" X 2.08" X 1.06" SLEEVE		01
19	0501011768	SPRING FIXER		01
20	0503010751	C3/8" X 1.1/4" HEX BOLT G.5		02
21	0503011443	3/8" SPRING WASHER		02
22	0503010026	3/8" NUT		02
23	0503032078	SPACING SLEEVE		01
24	0502011300	BUSHING GEAR		01
25	0502011314	8Z P 1.1/4" RH1.4" GEAR		01
26	0503010010	1/4" X 2.1/2" COTTERPIN		01
27	0501051393	SEED SYSTEM ASSY	6	01
28	0531014907	SCALE SUPPORT		02
29	0503010461	1/4" X 1" BOLT		60
30	0503010357	8 X 20 X 1 FLAT WASHER		120
31	0503011441	SPRING WASHER		60



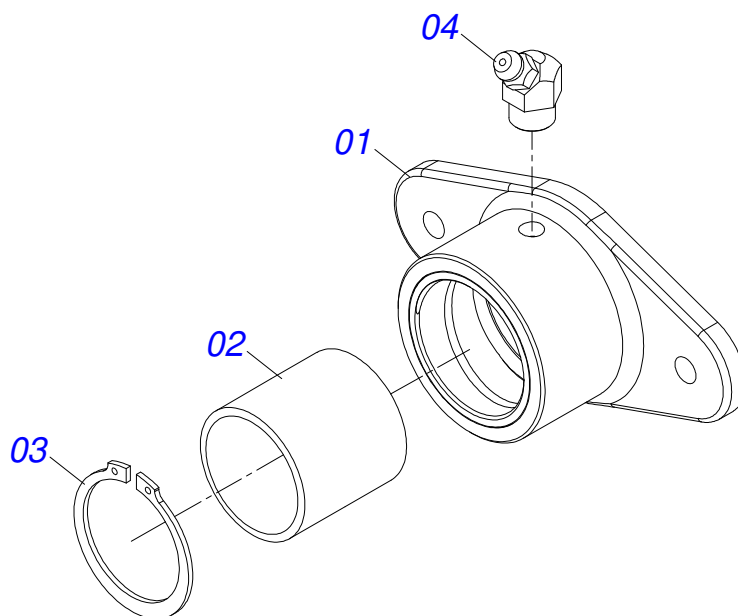
COMPLETE FERTILIZER/SEED ASSEMBLY BOX

0501048758

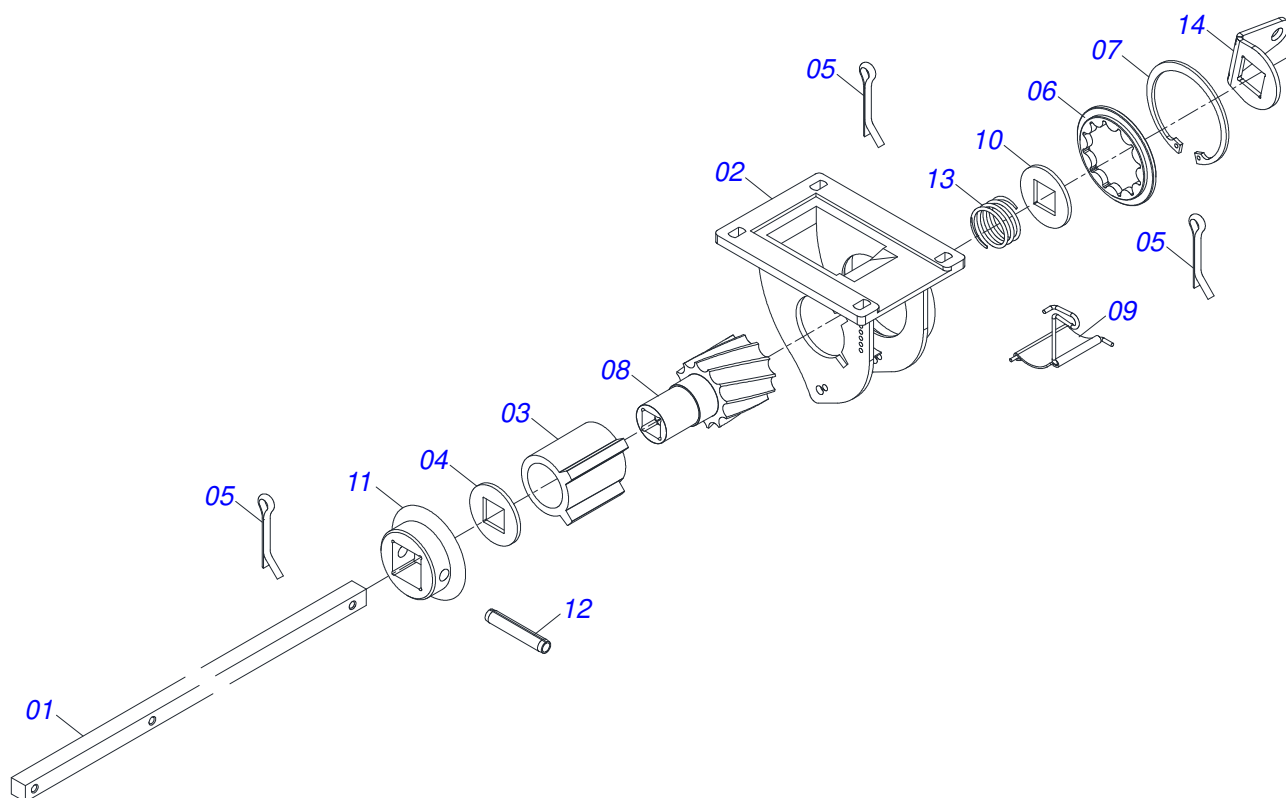
Item	Code	Description	See page	QT
32	0503010144	1/4" NUT		60
33	0501053462	LEFT BEARING BOX FOR FINE SEED	7	01
34	0503010237	3/8" X 1" BOLT		02
35	0503011443	3/8" SPRING WASHER		02
36	0503010026	3/8" NUT		02
37	0521010190	BOX COVER		02
38	0503010256	3/8" X 3/4" BOLT		04
39	0503010025	3/8" SPRING WASHER		04
40	0503010026	3/8" NUT		04
41	0502011345	18Z P 1.25" RH1.3/8" GEAR		01
42	3914503056	CAULKER		0,001Tubo



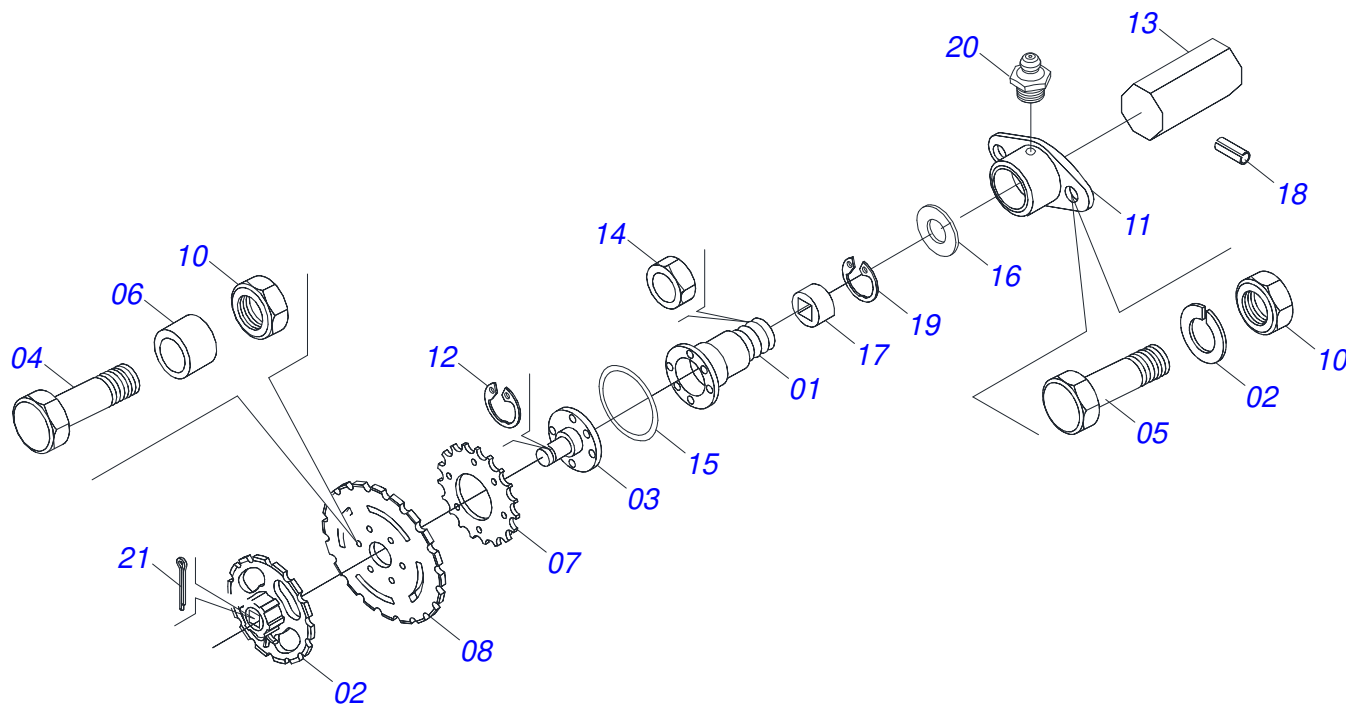
Item	Code	Description	See page	QT
01	0511019375	BOX FERTILIZER AXLE		01
02	0503010362	1/8" X 1.1/4" COTTERPIN		01
03	0503030275	AGRICULTURAL BEARING		02
04	0503031174	RIGHT HELICAL SPRING		15
05	0511019256	LOCK WASHER		17
06	0503010577	3/16" X 1-1/4" COTTERPIN		17



Item	Code	Description	See page	QT
01	0501110250	BEARING BOX		01
02	0511019194	BEARING REEL		01
03	0503010372	501050 CLAMPING RING (FOR AXLE)		01
04	0503010003	1845 GREASE FITTING		01

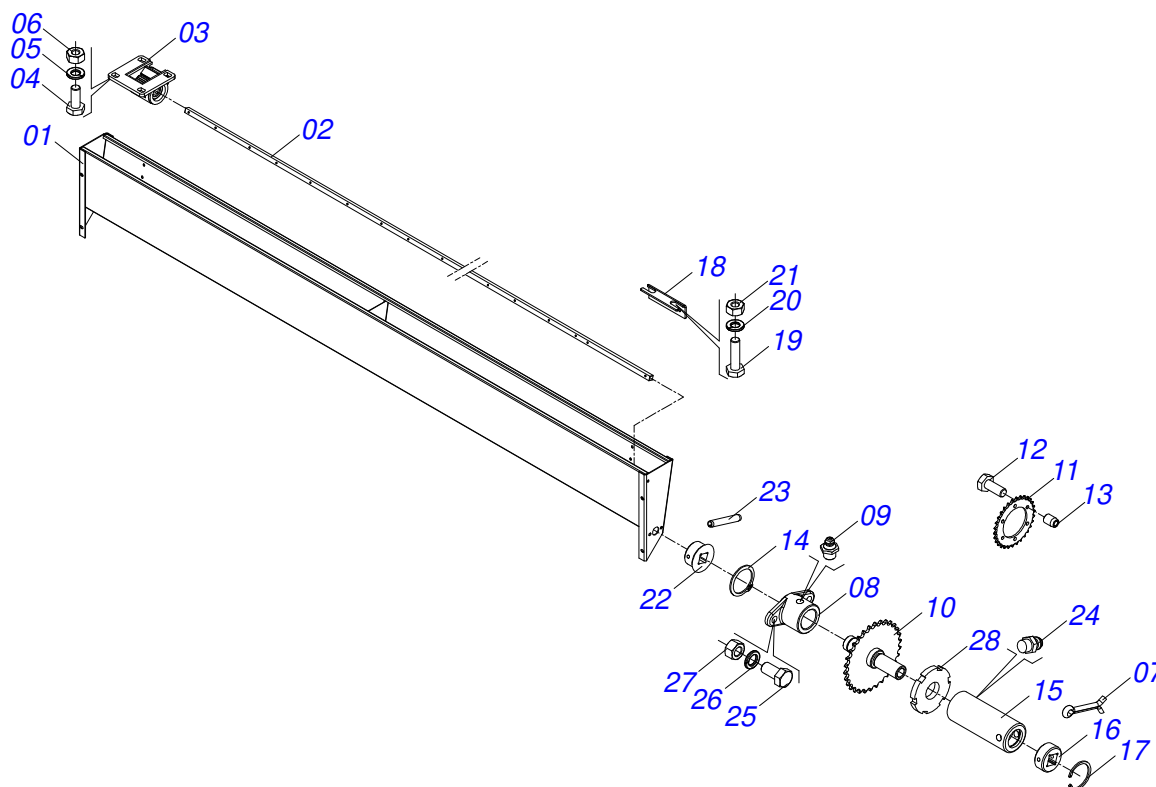


Item	Code	Description	See page	QT
01	0511019376	SEED BOX AXLE		01
02	0503030180	SEED DISTRIBUTOR BOX		15
03	0503010366	ROTOR GUIDE		15
04	0501010637	FLAT WASHER		15
05	0503010297	5/32" X 1.1/4" COTTER PIN		31
06	0501011064	ROTOR WHASHER		15
07	0503010370	502072 CLAMPING RING (FOR AXLE)		15
08	0502010950	ROTOR		15
09	0501040236	SEED LIMETER		15
10	0501010637	FLAT WASHER		01
11	0503032077	LARGE DOSER		01
12	0503010838	0.1" X 0.8" SPRING PIN		01
13	0503030189	COMPRES SPRING		15
14	0571017623	MAGNET FIXER		01

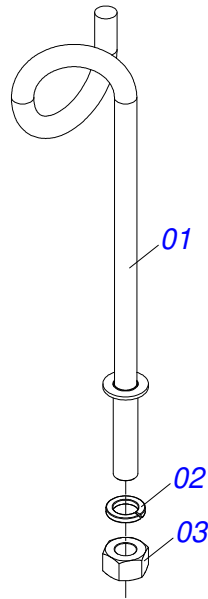


Item	Code	Description	See page	QT
01	0502040527	SEED BOX FINE BEARING REEL	01	01
02	0561011361	WHEEL TOOTH	01	01
03	0511011139	GEAR FLANGE	01	01
04	0503010365	NUT	03	03
05	0503011766	5/16" X 2-1/2" BOLT	03	03
06	0521010743	0.3" X 0.6" X 0.8" SLEEVE	03	03
07	0511013557	30Z P 0.5" RH1.2.9" GEAR	01	01
08	0502011352	20Z GEAR	01	01
09	0503011444	SPRING WASHER	06	06
10	0503010337	5/16" NUT	06	06
11	0501110250	BEARING BOX	01	01
12	0503010372	501050 CLAMPING RING (FOR AXLE)	01	01
13	0502012130	LH SEED REGULATOR	01	01
14	0502012131	LEFT SEED REGULATOR	01	01
15	0503012918	2-327 N 3006-9B O'RING	01	01
16	0541010247	FLAT WASHER	01	01
17	0502012197	0.76" X 1.81" X 0.06" SLEEVE	01	01
18	0503010561	SPRING PIN	01	01
19	0503011105	SEAL RING	01	01
20	0503010691	1/4" GREASE FITTING	02	02
21	0503010010	1/4" X 2.1/2" COTTERPIN	01	01

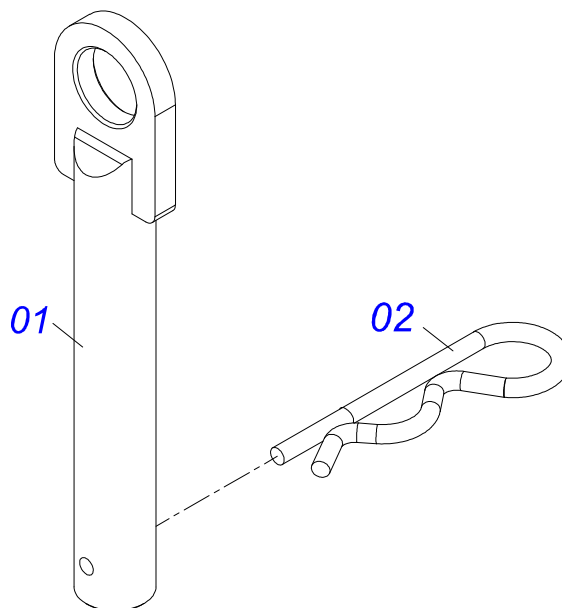
SEMI MOUNTED FINE SEED BOX



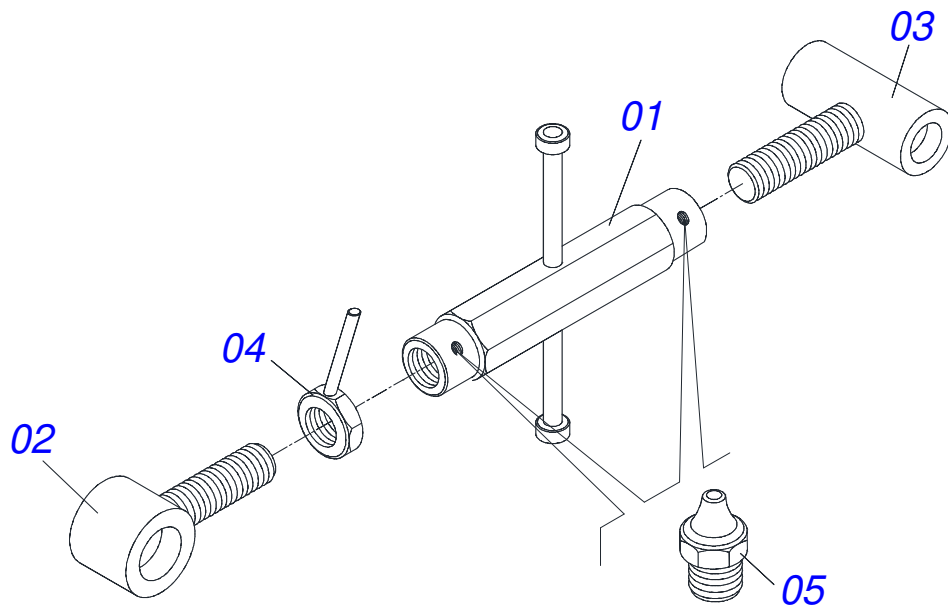
Item	Code	Description	See page	QT
01	0501068866	FINE SEED BOX		01
02	0511019377	FINE SEED BOX AXLE		01
03	0503060150	FINE SEED DISTRIBUTOR		15
04	0503013815	1/4" X 5/8" BOLT		60
05	0503010143	1/4" SPRING WASHER		60
06	0503010144	1/4" NUT		60
07	0503010140	1/8" X 3/4" COTTERPIN		31
08	0502010901	FINE SEED BOX AGRICULTURAL BEARING		01
09	0503010002	1800 GREASE FITTING		01
10	0501066928	RIGHT GEAR WITH TEETH REEL		01
11	0511013557	30Z P 0.5" RH1.2.9" GEAR		01
12	0503010675	5/16" X 2.1/4" BOLT		03
13	0521010743	0.3" X 0.6" X 0.8" SLEEVE		03
14	0503010406	501025 CLAMPING RING (FOR AXLE)		01
15	0511015161	RD FINE SEED REGULATOR		01
16	0502011081	3/8" Q AXLE PULLER SLEEVE		01
17	0503011335	502024 CLAMPING RING (FOR AXLE)		01
18	0531018938	SEED FINE SCALE SUPPORT		01
19	0503010282	1/4" X 3/4" BOLT		02
20	0503010143	1/4" SPRING WASHER		02
21	0503010144	1/4" NUT		02
22	0503032076	SMALLER DOSADOR		01
23	0503010838	0.1" X 0.8" SPRING PIN		01
24	0503010691	1/4" GREASE FITTING		01
25	0503010240	5/16" X 3/4" BOLT		02
26	0503011444	SPRING WASHER		02
27	0503010337	5/16" NUT		02
28	0521010769	RIGHT REGULACION FINE SEED		01



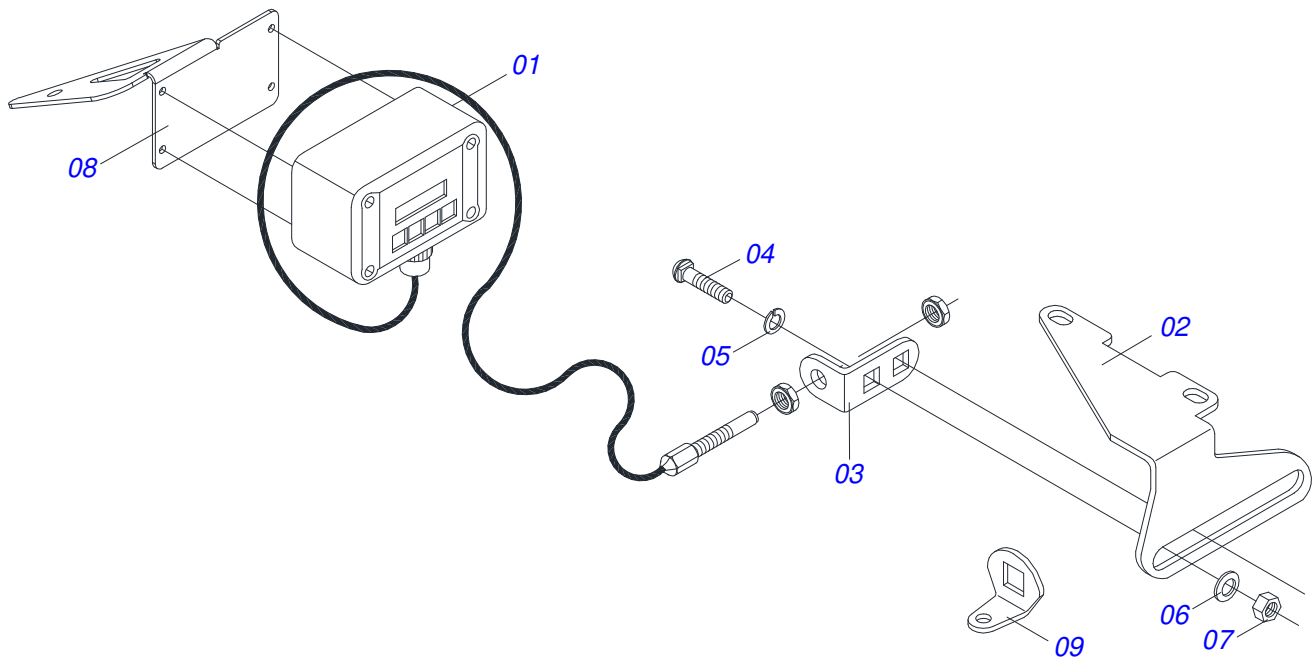
Item	Code	Description	See page	QT
01	0511061446	HOSE HOLDER		01
02	0503010023	3/4" SPRING WASHER		01
03	0503010014	3/4" NUT		01



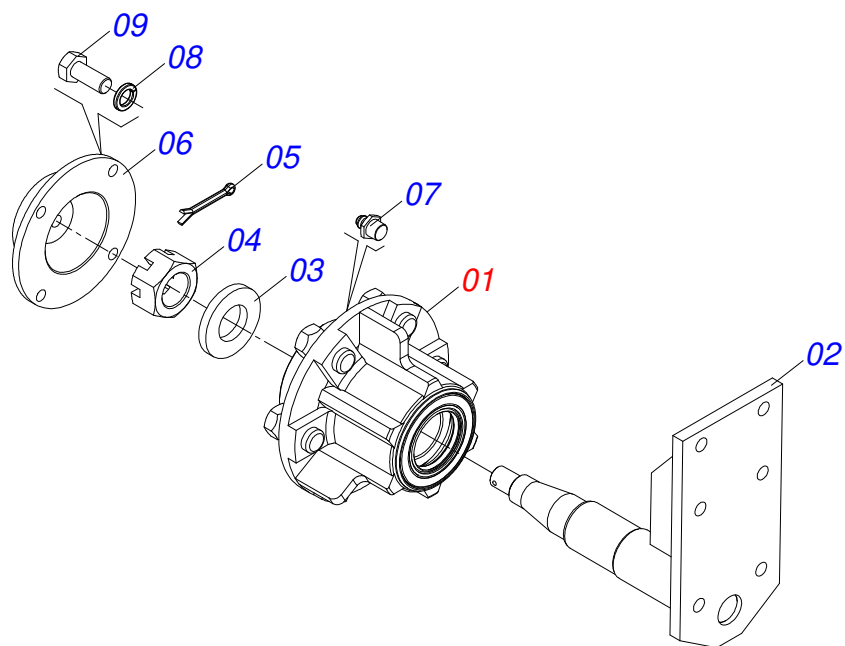
Item	Code	Description	See page	QT
01	0501068989	COUPLING SHAFT		01
03	0503031035	HAIR PIN		01



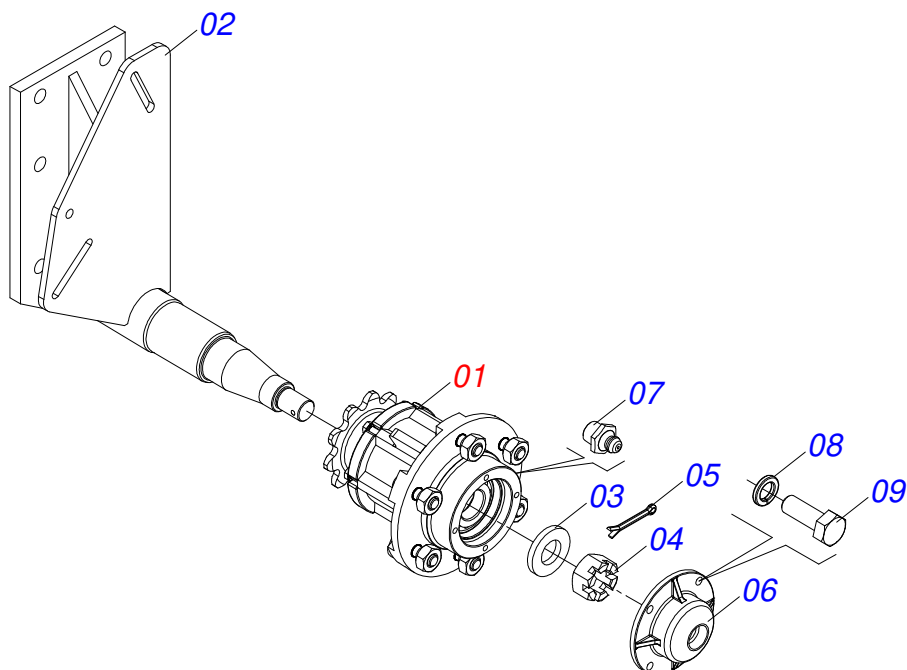
Item	Code	Description	See page	QT
01	0501110252	185 ADJUSTMENT NUT		01
02	0511060373	LEFT TURNBUCKLE		01
03	0501068525	RIGHT TURNBUCKLE		01
04	0501064974	LOCKNUT WITH HANDLER		01
05	0503010002	1800 GREASE FITTING		02



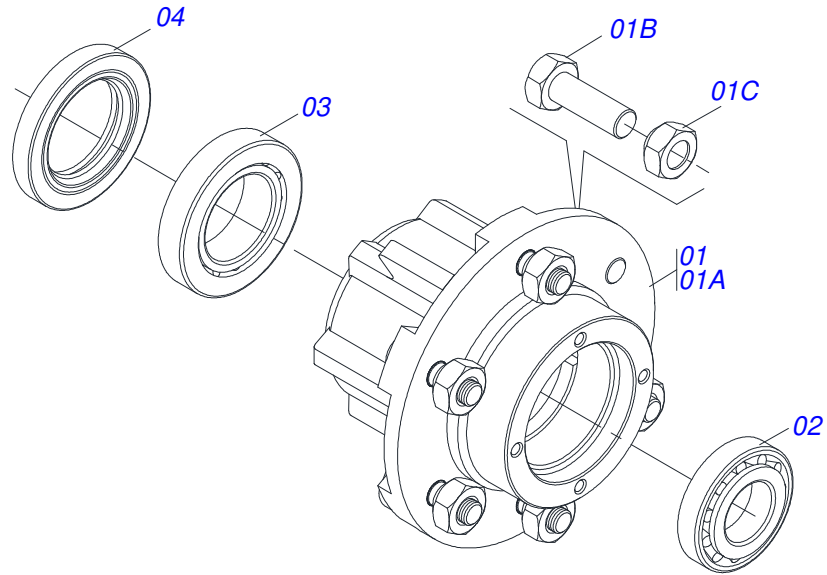
Item	Code	Description	See page	QT
01	0503060718	ELECTRONIC BLADE HECTARE		01
02	0541013032	FIXER BLADE HECTARE		01
03	0541015265	RECEIVER MAGNETIC SUPPORT		01
04	0503011952	5/16" X 3/4" BOLT		02
05	0503010179	5/16" ZN SPRING WASHER		02
06	0501010694	8.5 X 18 X 1.5 FLAT WASHER		02
07	0503010337	5/16" NUT		02
08	0581011031	FIXER COUNTER HECTARE		01
09	0571017623	MAGNET FIXER		01



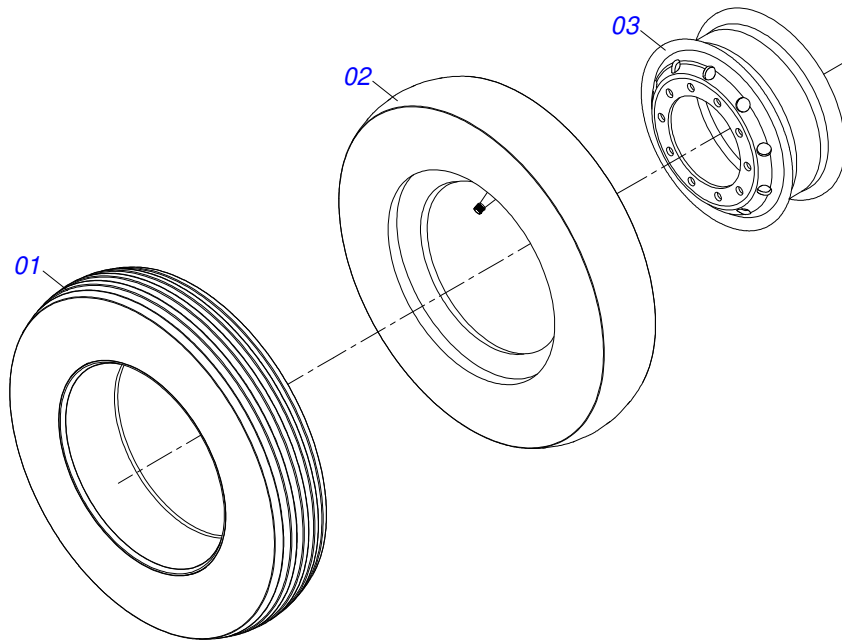
Item	Code	Description	See page	QT
01	0501051142	CARRYING WHEEL HUB	15	01
02	0501068568	RIGHT CARRYING WHEEL AXLE		01
03	0501016545	FLAT WASHER		01
04	0503030009	1" CASTLE NUT		01
05	0503010018	5/32 X 1-1/2 COTTERPIN		01
06	0502020591	PROTECCION COVER		01
07	0503010002	1800 GREASE FITTING		01
08	0503011444	SPRING WASHER		04
09	0503010358	5/16" X 5/8" BOLT		04
10	1882970002	GREASE SOAP		0,23Kg



Item	Code	Description	See page	QT
01	0511050886	ASSY WHEEL BOX		01
02	0501068569	LH CARRYING WHEEL AXLE		01
03	0501016545	FLAT WASHER		01
04	0503030009	1" CASTLE NUT		01
05	0503010018	5/32 X 1-1/2 COTTERPIN		01
06	0502020591	PROTECCION COVER		01
07	0503010002	1800 GREASE FITTING		01
08	0503011444	SPRING WASHER		04
09	0503010358	5/16" X 5/8" BOLT		04
10	1882970002	GREASE SOAP		0,001Kg

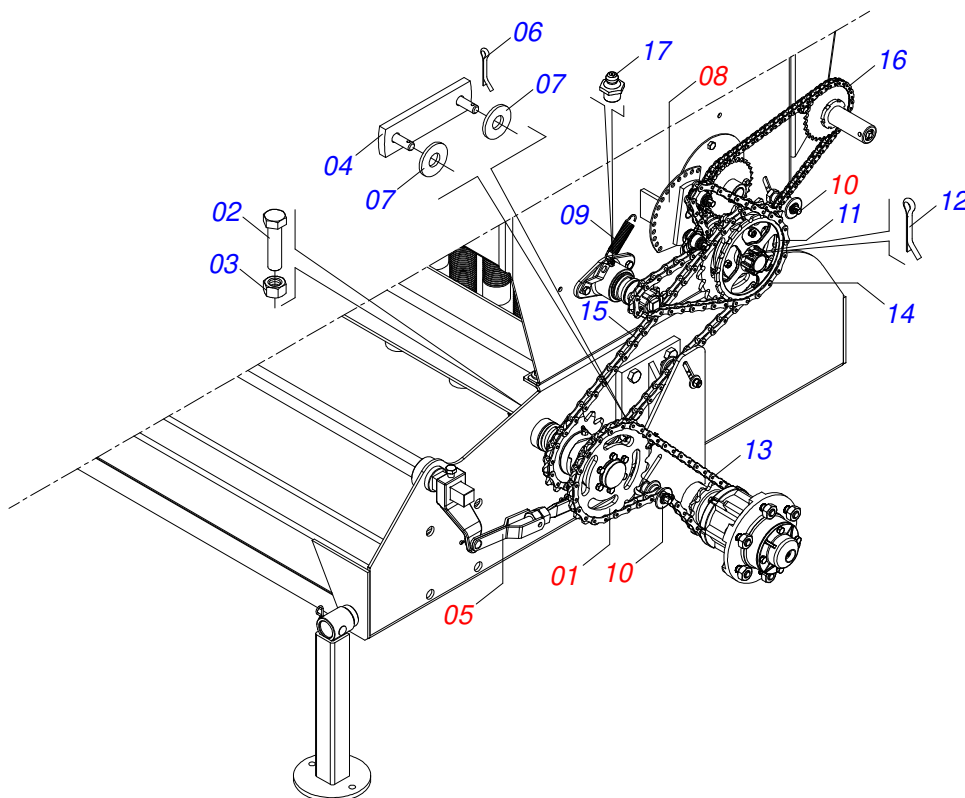


Item	Code	Description	See page	QT
01	0501110728	WHEEL HUB		01
01A	0502011121	CARRYING WHEEL HUB		01
01B	0501010127	9/16" X 1-7/8" LUG BOLT		06
01C	0503010035	9/16" CONIC NUT		06
02	0503010037	30207 ROLLER BEARING		01
03	0503010006	32210 ROLLER BEARING		01
04	0503012928	SEAL		01

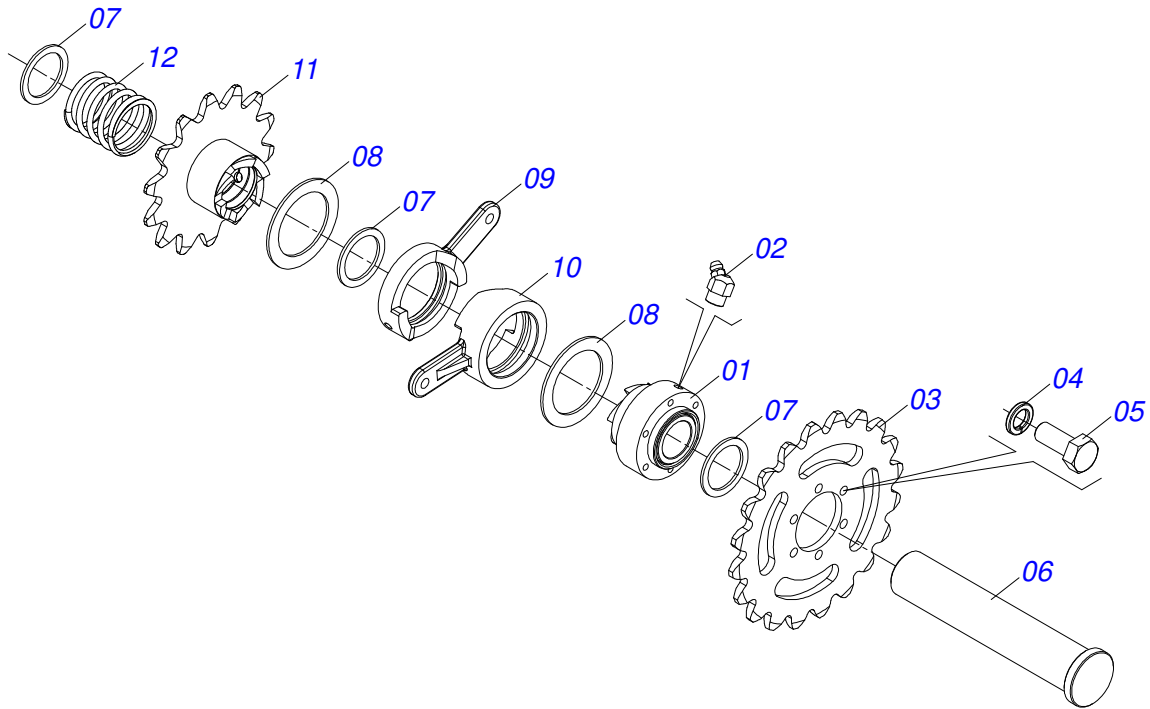


Item	Code	Description	See page	QT
01	0503010065	CANVAS TIRE		01
02	0503010068	6.00 X 16 INNER TIRE		01
03	0503010894	0.2"X0.6"X4.6"X6F0.6"X6" WHEEL		01

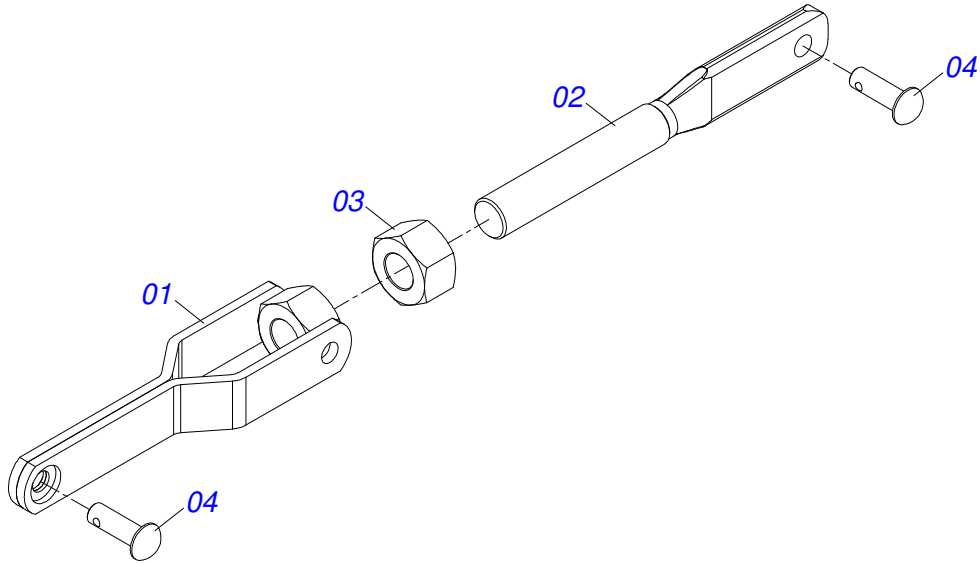
RIGHT TRANSMISSION ASSY



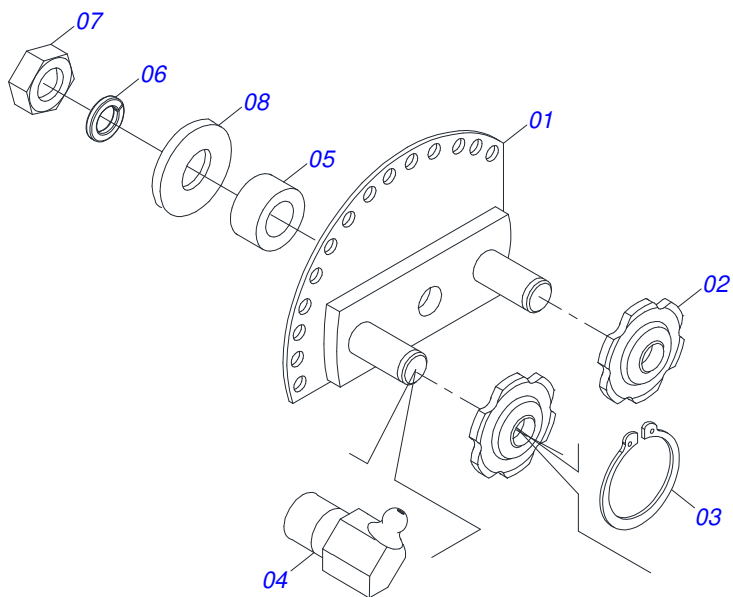
Item	Code	Description	See page	QT
01	0501047420	RIGHT TRANSMISSION DRIVING	18	01
02	0503010920	1/2" X 1.1/2" BOLT		01
03	0503010060	1/2" NUT		01
04	0501065167	RATCHET PIVOT ARM		01
05	0511056594	RATCHET REGULATOR	19	01
06	0503010140	1/8" X 3/4" COTTERPIN		04
07	0501010984	FLAT WASHER		02
08	0501043283	ASSY LEFT CHAIN STRETCHER	20	01
09	0503030093	TRACTION SPRING		01
10	0501052014	CHAIN TIGHTENER AXLE ASSY	21	02
11	0502011345	18Z P 1.25" RH1.3/8" GEAR		01
12	0503010010	1/4" X 2.1/2" COTTERPIN		01
13	0503010578	2050 CHAIN X 39 LINK + MENDING		01
14	0503010987	2050 CHAIN X 38 LINK + REDUCTION		01
15	0503012142	40-1 CHAIN X 61 LINK + MENDING		01
16	0503012125	2050 CHAIN X 49 LINK + MENDING		01
17	0503010002	1800 GREASE FITTING		02



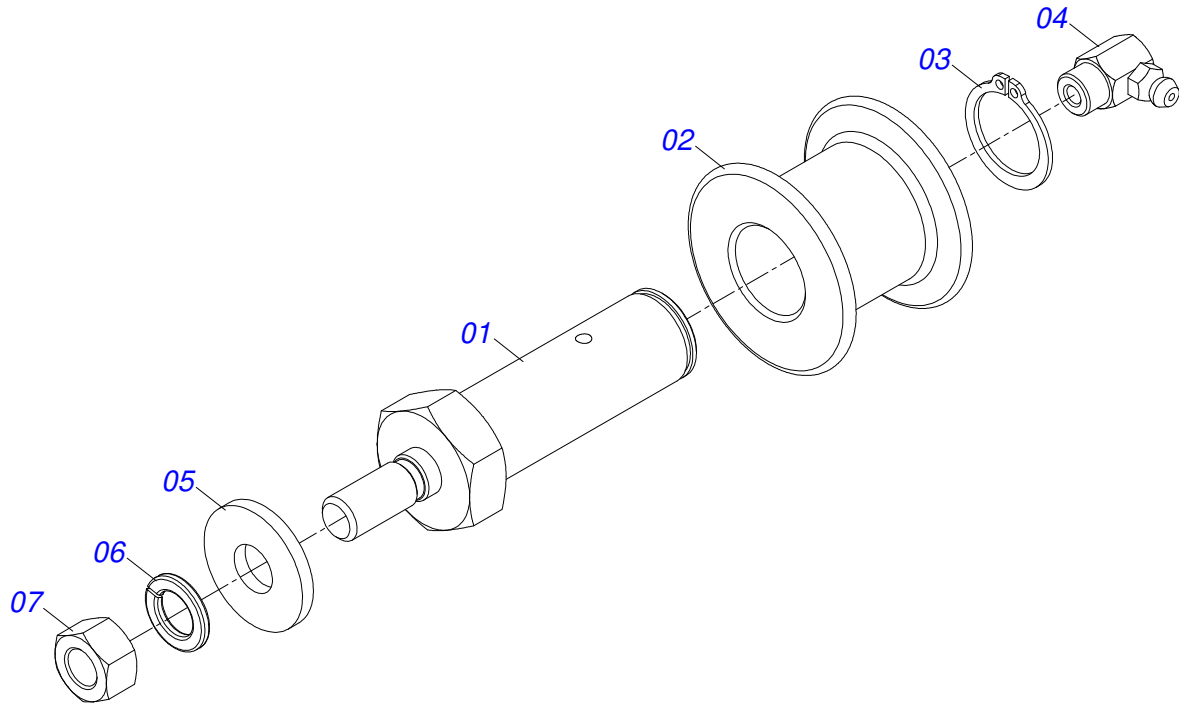
Item	Code	Description	See page	QT
01	0501110166	RH RATCHET FOLLOWER		01
02	0503010003	1845 GREASE FITTING		03
03	0561011362	GEAR-WHEEL 20Z P 1.1/4 FR 61		01
04	0503011444	SPRING WASHER		06
05	0503010240	5/16" X 3/4" BOLT		06
06	0511019179	RATCHET AXLE		01
07	0501019735	FLAT WASHER		03
08	0501019734	FLAT WASHER		02
09	0502010710	RIGHT CAM, SMALLER		01
10	0502010711	RIGHT CAM,LARGER		01
11	0501110268	14Z GEAR WITH RIGHT DRAGGER		01
12	0503030553	2.3"X 2.5"X 0.2"COMPRESSION SPRING		01



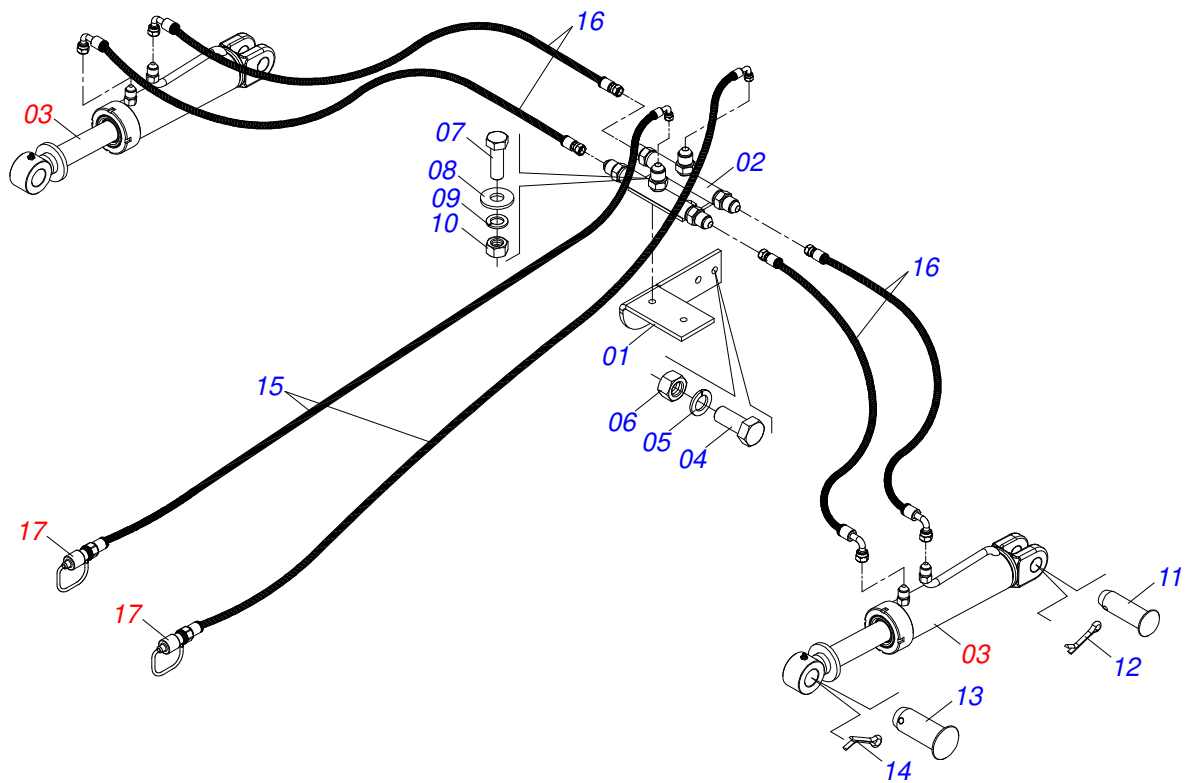
Item	Code	Description	See page	QT
01	0501067130	ADJUSTMENT BAR ASSY		01
02	0541015404	3/4" UNC 200 REGULACION		01
03	0503010014	3/4" NUT		01
04	0521010773	0.37" X 1.18" COUPLING SHAFT		02



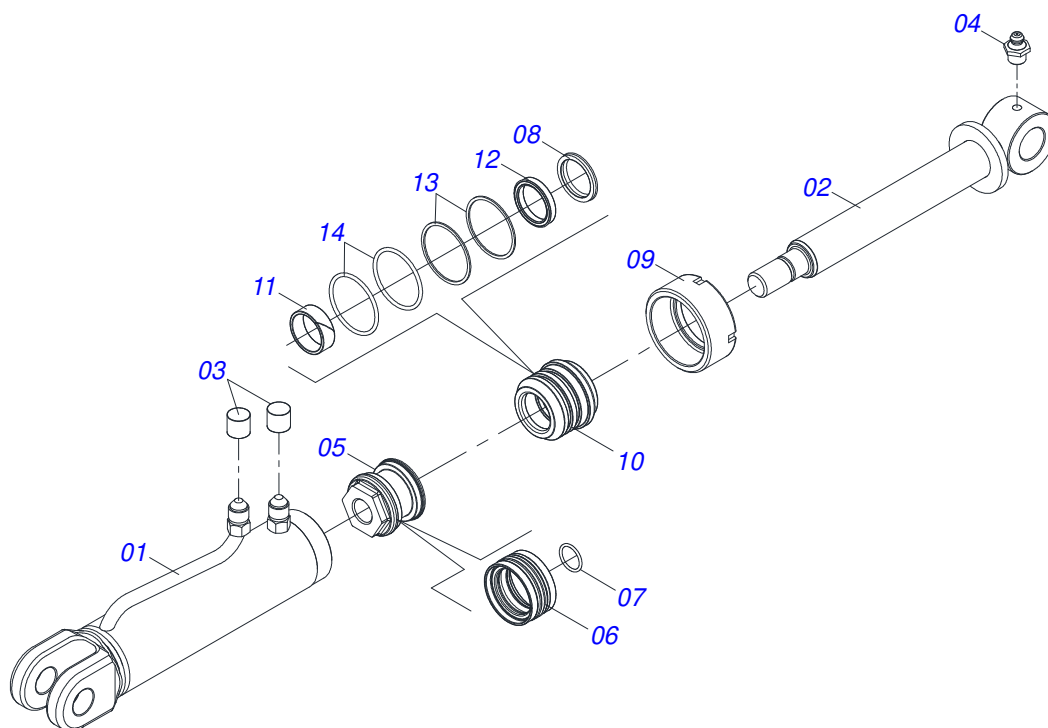
Item	Code	Description	See page	QT
01	0501064951	LEFT CHAIN TENSIONER		01
02	0502012317	WHEEL TOOTH		02
03	0503010302	501019 SEAL RING		02
04	0503010004	1890 GREASE FITTING		02
05	0511014513	1" X 0.6" X 0.4" ARTICULAT SLEEVE		01
06	0503010027	5/8" SPRING WASHER		01
07	0503010013	5/8" NUT		01
08	0501012140	FLAT WASHER		01



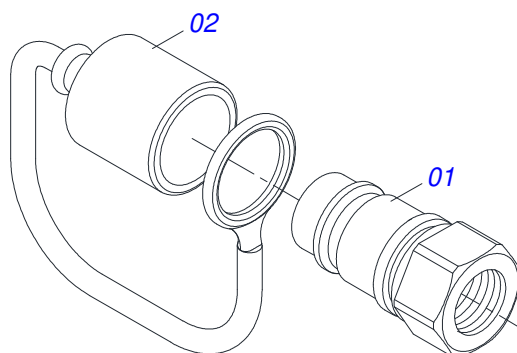
Item	Code	Description	See page	QT
01	0511010919	CHAIN TIGHTENER AXLE		01
02	0503030402	PULLEY		01
03	0503010302	501019 SEAL RING		01
04	0503010004	1890 GREASE FITTING		01
05	0501010984	FLAT WASHER		01
06	0503010025	3/8" SPRING WASHER		01
07	0503010026	3/8" NUT		01



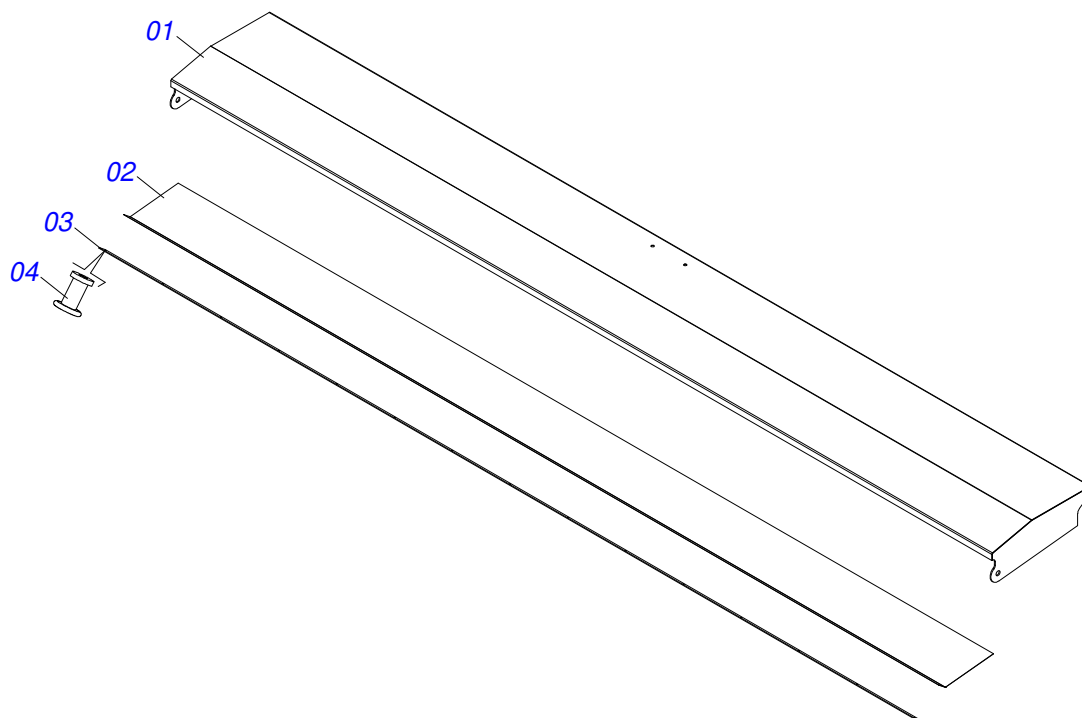
Item	Code	Description	See page	QT
01	0521014707	DISTRIBUTOR DOUBLE SUPPORT		01
02	0501068706	DOUBLE CONNECTION		01
03	0511058421	38,10X63,50X405X170 HYDRAULIC CYLINDER	23	02
04	0503010237	3/8" X 1" BOLT		02
05	0503010025	3/8" SPRING WASHER		02
06	0503010026	3/8" NUT		02
07	0503010358	5/16" X 5/8" BOLT		02
08	0521011039	FLAT WASHER		02
09	0503010179	5/16" ZN SPRING WASHER		02
10	0503010337	5/16" NUT		02
11	0521010573	0.9" X 3.1" COUPLING SHAFT		02
12	0503010571	1/4" X 1.1/2 COTTERPIN		02
13	0521010778	1.25" X 3.15" COUPLING SHAFT		02
14	0503010523	1/4" X 2" COTTERPIN		02
15	0501080473	3/8" X 120" TC-TM HOSE		02
16	0501080192	3/8" X 18.9" TR-TC HOSE		04
17	0501053834	MALE QUICK COUPLER WITH CAP - 1/2 NPT	24	02



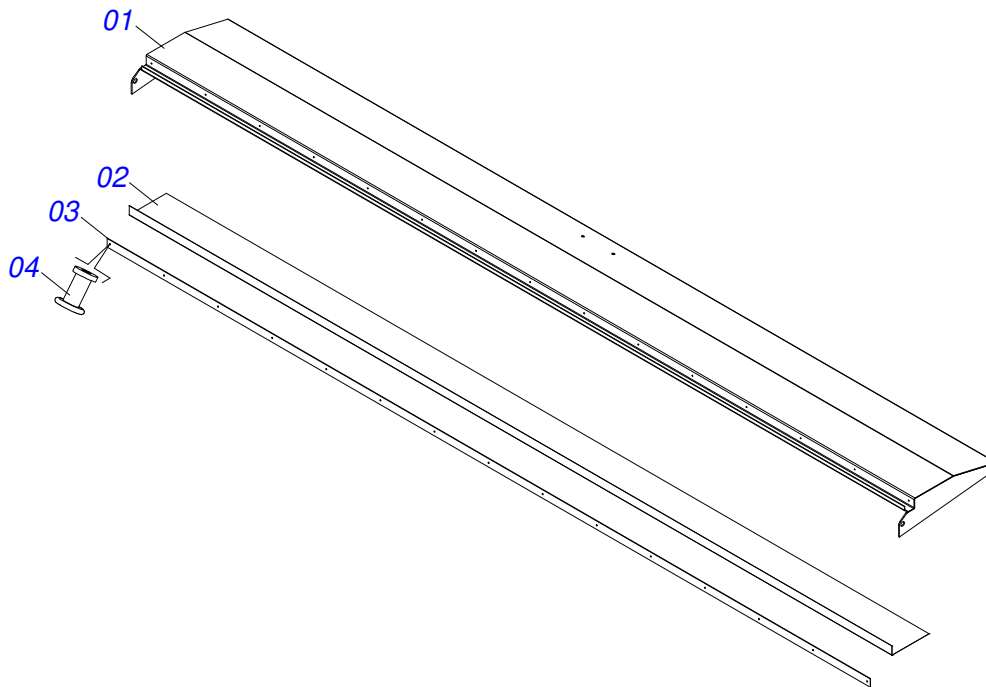
Item	Code	Description	See page	QT
01	0501068493	2.5" X 10.7" CYLINDER CASE		01
02	0521066630	38,10 X 313 STEM		01
03	0503030385	CYLINDER PLUG N-002		02
04	0503010002	1800 GREASE FITTING		01
05	0502012837	PISTON		01
06	0503018005	RING		01
07	0503011109	2-119 N 3006-9B O'RING		01
08	0503010163	D-1500 SCRAPER RING		01
09	0502010471	MOBILE COVER		01
10	0581010668	RING SUPPORT		01
11	0503018004	RING		01
12	0503018003	GASKET		01
13	0503018163	BACK-UP RING		02
14	0503018162	O'RING		02



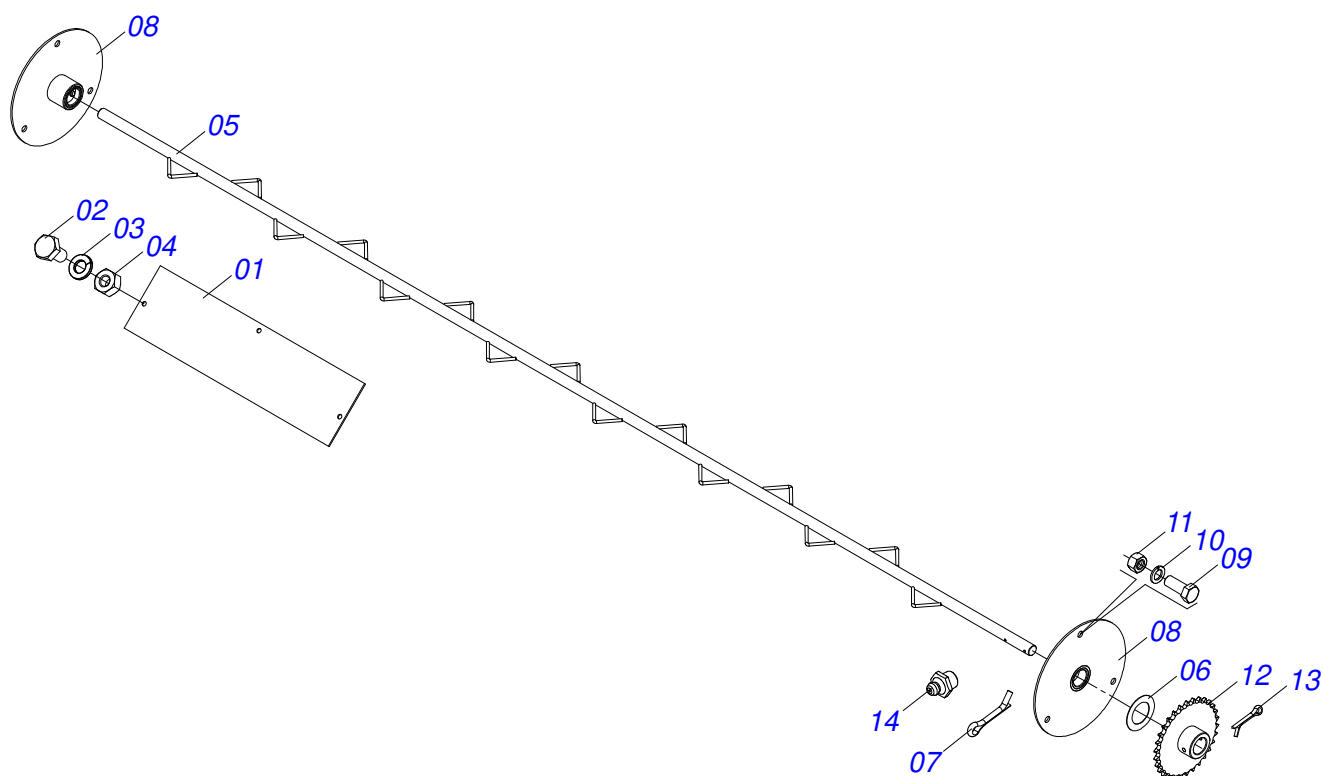
Item	Code	Description	See page	QT
01	0503011627	MALE QUICK COUPLER AGR 1/2 NPT		01
02	0503011882	MALE QUICK COUPLER CAP		01



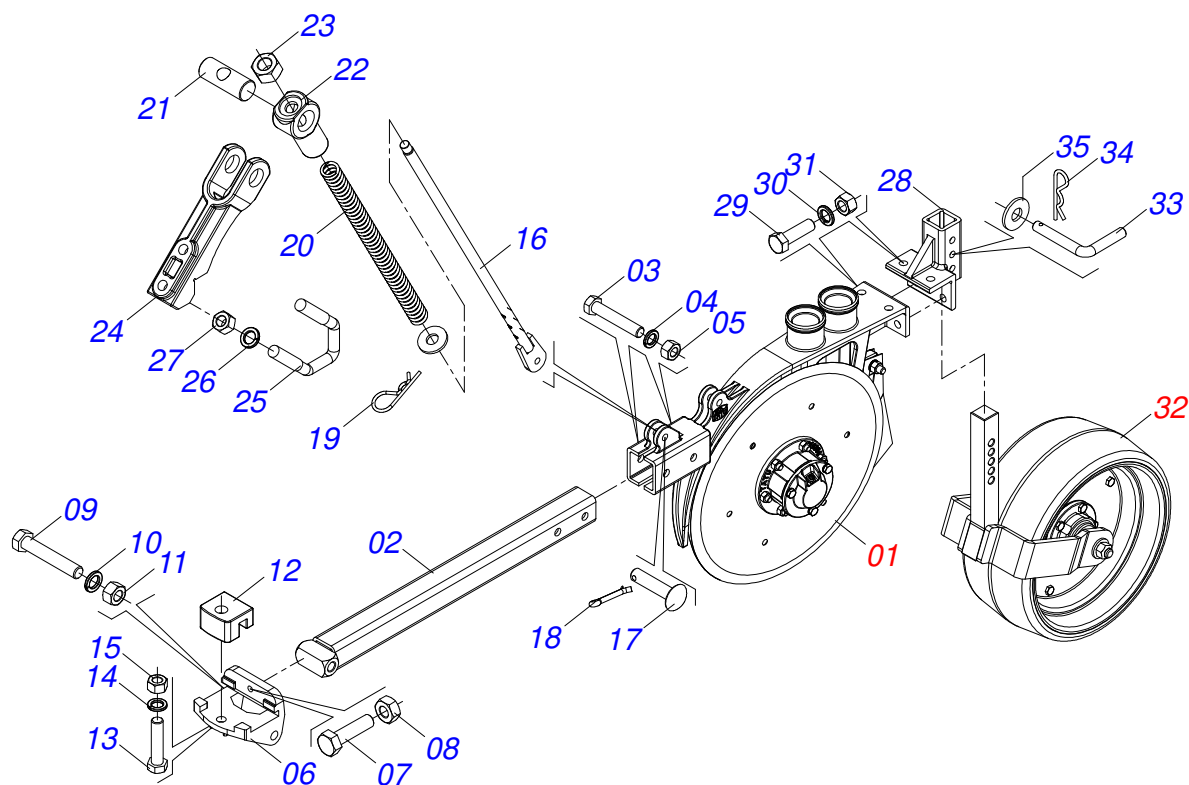
Item	Code	Description	See page	QT
01	0501069656	COVER PIVOT SHAFT		01
02	0521013808	PROTECTION FERTILIZER BOX		01
03	0521013807	FIXER PLATE LONA 2877		01
04	0503012209	RIVET POP		15



Item	Code	Description	See page	QT
01	0501069657	SEED BOX LOCK		01
02	0521013809	PROTECTION FERTILIZER BOX RIGHT		01
03	0521013807	FIXER PLATE LONA 2877		01
04	0503012209	RIVET POP		15



Item	Code	Description	See page	QT
01	0521012954	COVER DIVIDING BOX		05
02	0503013758	1/4" X 1-1/2" BOLT		15
03	0503010143	1/4" SPRING WASHER		15
04	0503010144	1/4" NUT		15
05	0501068631	MIXER		01
06	0521815818	FLAT WASHER 26 X 41.50 X 0.50		03
07	0503010571	1/4" X 1.1/2 COTTERPIN		01
08	0501068514	SIDE MIXER BEARING		02
09	0503010256	3/8" X 3/4" BOLT		06
10	0503010025	3/8" SPRING WASHER		06
11	0503010026	3/8" NUT		06
12	0501068515	30Z GEAR		01
13	0503010523	1/4" X 2" COTTERPIN		01
14	0503010002	1800 GREASE FITTING		02



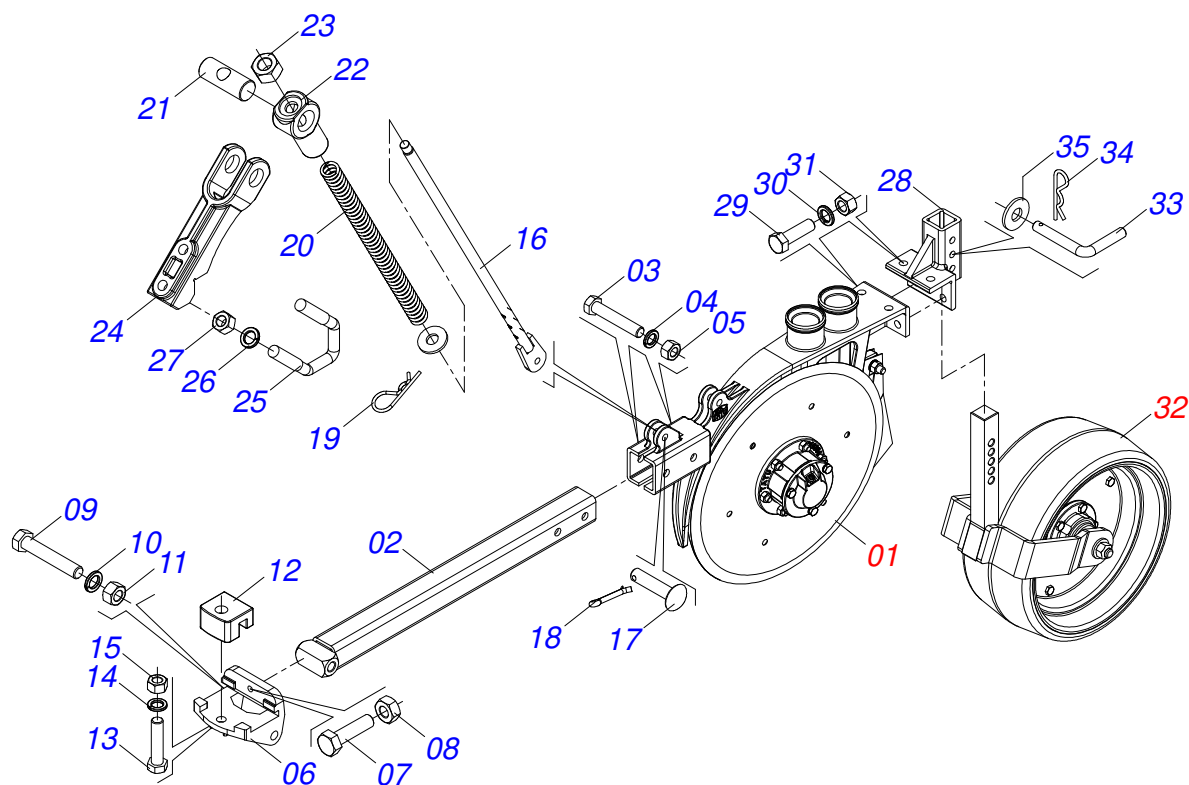
Item	Code	Description	See page	QT
01	0501050993	DOUBLE DISC ASSY	30	01
02	0511060425	LARGER ARM ROW		01
03	0503011268	3/8" X 2-1/2" BOLT		02
04	0503010025	3/8" SPRING WASHER		02
05	0503010026	3/8" NUT		02
06	0502010693	ROW SUPPORT ARTICULACION		01
07	0503013082	M10 X 1,5 X 70 BOLT		01
08	0503011051	M10 X 0.6" NUT		01
09	0503010706	SCREW 1/2 UNC X 4.1/2 C S G.5 ZN		01
10	0503010019	1/2" SPRING WASHER		01
11	0503010060	1/2" NUT		01
12	0502011210	ROW FASTENER		01
13	0503010752	1/2" X 3.1/2" BOLT		01
14	0503010019	1/2" SPRING WASHER		01
15	0503010060	1/2" NUT		01
16	0511064181	SPRING REGULACION		01
17	0521010539	0.3" X 1.2" COUPLING SHAFT		01
18	0503010140	1/8" X 3/4" COTTERPIN		01
19	0503030285	HAIR PIN		01
20	0503031516	0.98" X 14.17" X 0.16" SPRING		01
21	0531016737	ROD GUIDE AJUSTER ROW		01
22	0502012123	SPRING GUIDES UPPER		01
23	0503010060	1/2" NUT		01
24	0502011675	SUPPORT GUIDE FIXER SPRING		01
25	0521010655	1/2" X 3.34" X 2.12" FASTENER		01
26	0503010019	1/2" SPRING WASHER		02
27	0503010060	1/2" NUT		02
28	0502011682	PRESS WHEEL FIXER		01
29	0503012444	3/8" X 1-1/4" BOLT		04
30	0503010025	3/8" SPRING WASHER		04
31	0503010208	HEX NUT 3/8 UNF G.5 ZN		04



LONG LINE SEMI MOUNTED ASSY

0501052652

Item	Code	Description	See page	QT
32	0501052614	LONG WHEEL COMPACTOR ASSY	31	01
33	0521014193	WELL LOCK COMPACTOR		01
34	0503030168	HAIR PIN		01
35	0501012140	FLAT WASHER		01



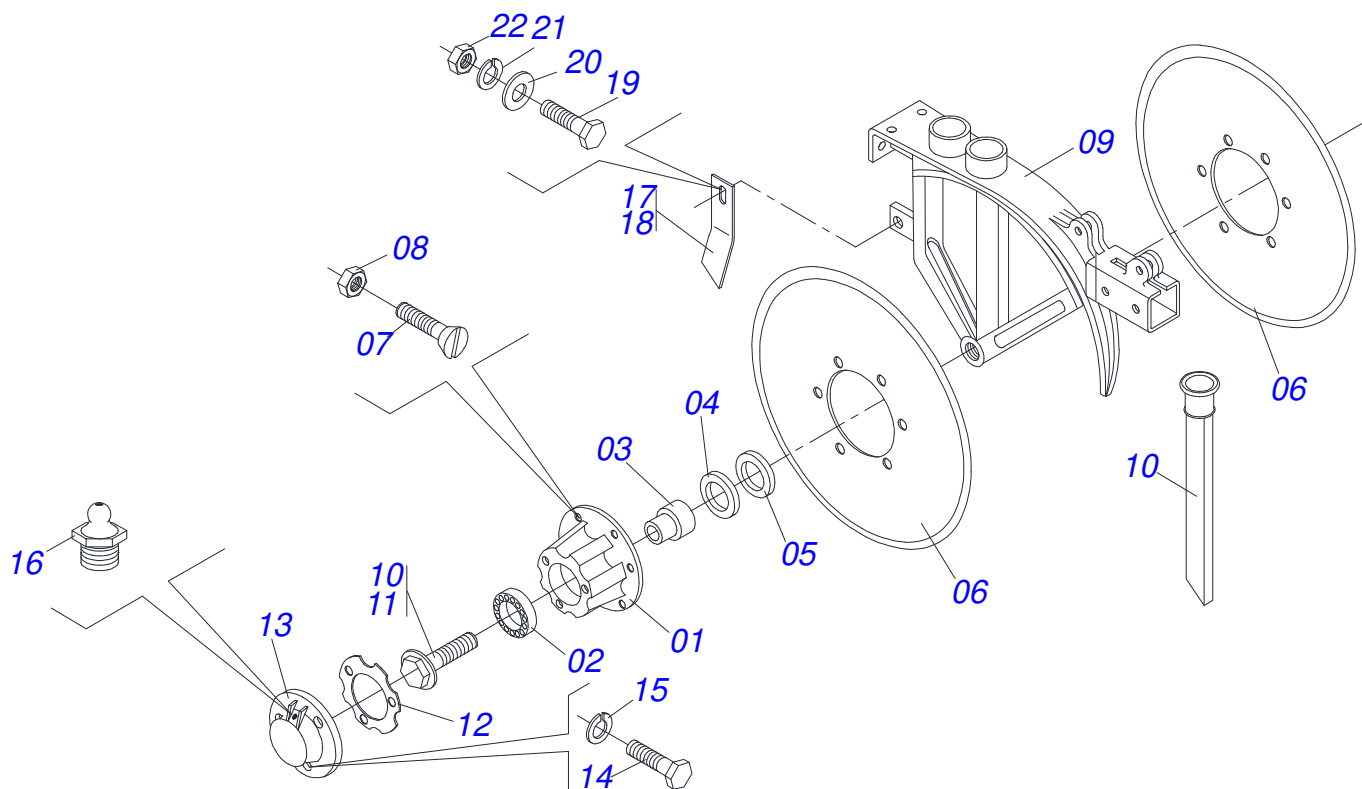
Item	Code	Description	See page	QT
01	0501050993	DOUBLE DISC ASSY	30	01
02	0501066678	SMALLER ARM ROW		01
03	0503011268	3/8" X 2-1/2" BOLT		02
04	0503010025	3/8" SPRING WASHER		02
05	0503010026	3/8" NUT		02
06	0502010693	ROW SUPPORT ARTICULACION		01
07	0503013082	M10 X 1,5 X 70 BOLT		01
08	0503011051	M10 X 0.6" NUT		01
09	0503010706	SCREW 1/2 UNC X 4.1/2 C S G.5 ZN		01
10	0503010019	1/2" SPRING WASHER		01
11	0503010060	1/2" NUT		01
12	0502011210	ROW FASTENER		01
13	0503010752	1/2" X 3.1/2" BOLT		01
14	0503010019	1/2" SPRING WASHER		01
15	0503010060	1/2" NUT		01
16	0511064181	SPRING REGULACION		01
17	0521010539	0.3" X 1.2" COUPLING SHAFT		01
18	0503010140	1/8" X 3/4" COTTERPIN		01
19	0503030285	HAIR PIN		01
20	0503031516	0.98" X 14.17" X 0.16" SPRING		01
21	0531016737	ROD GUIDE AJUSTER ROW		01
22	0502012123	SPRING GUIDES UPPER		01
23	0503010060	1/2" NUT		01
24	0502011675	SUPPORT GUIDE FIXER SPRING		01
25	0521010655	1/2" X 3.34" X 2.12" FASTENER		01
26	0503010019	1/2" SPRING WASHER		02
27	0503010060	1/2" NUT		02
28	0502011682	PRESS WHEEL FIXER		01
29	0503012444	3/8" X 1-1/4" BOLT		04
30	0503010025	3/8" SPRING WASHER		04
31	0503010208	HEX NUT 3/8 UNF G.5 ZN		04



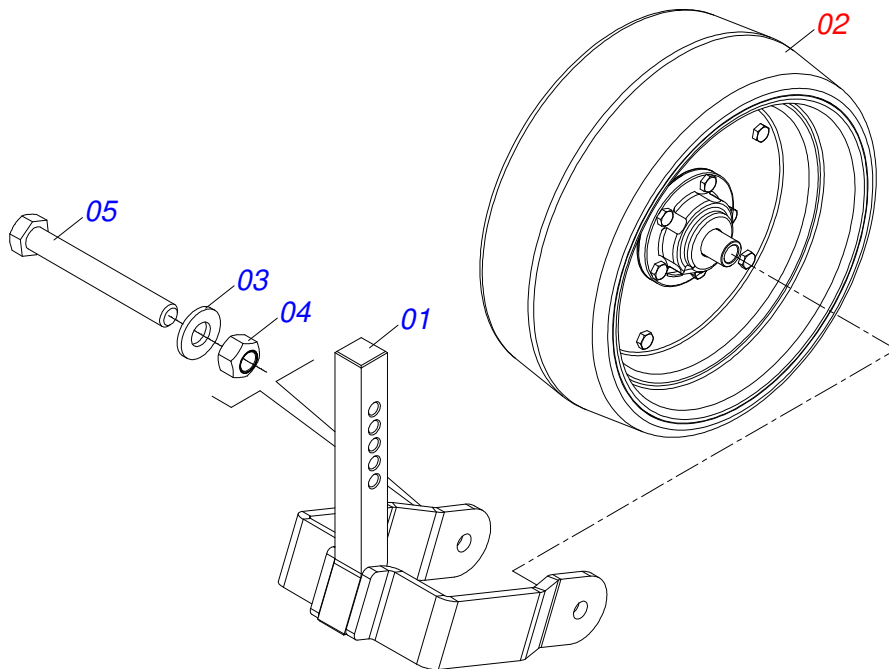
SHORT LINE SEMI MOUNTED ASSY

0501052651

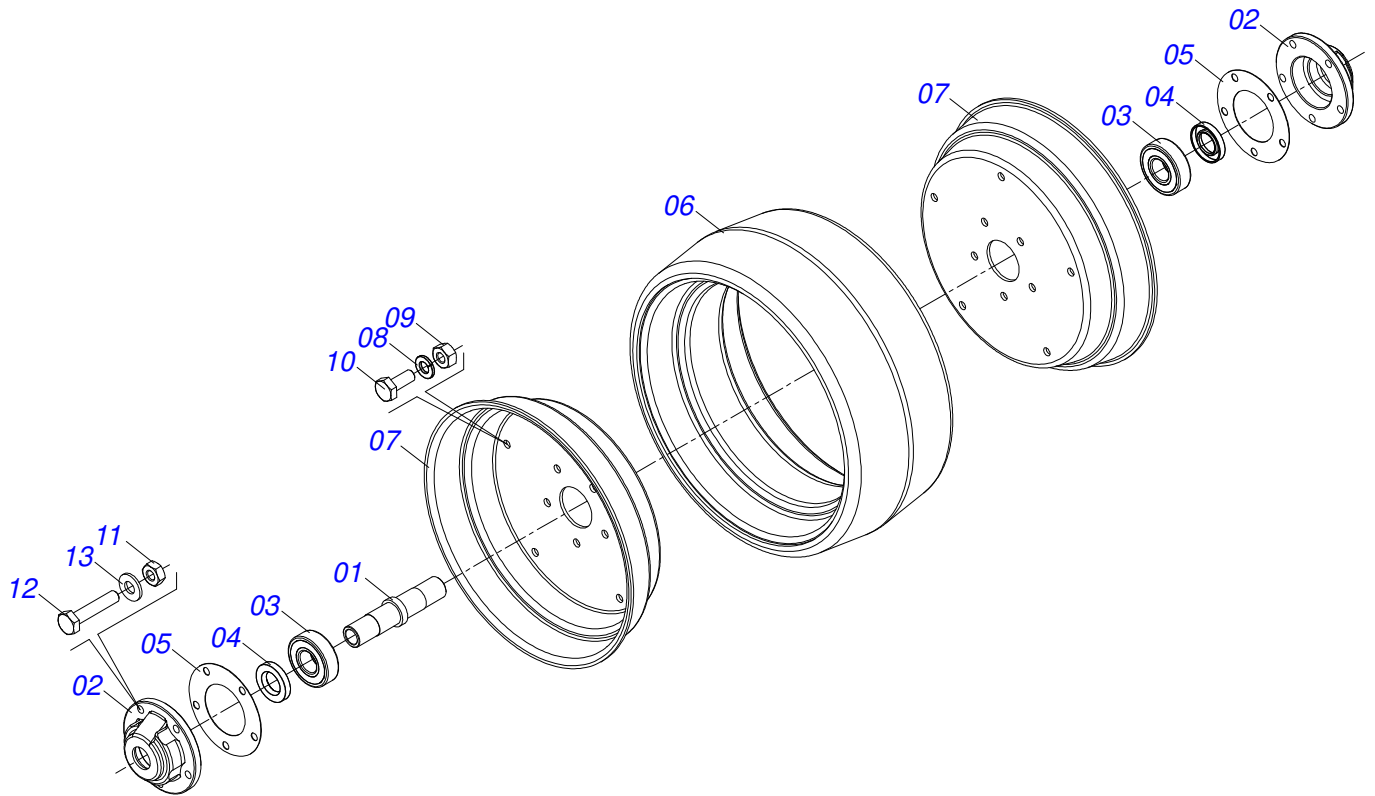
Item	Code	Description	See page	QT
32	0501052614	LONG WHEEL COMPACTOR ASSY	31	01
33	0521014193	WELL LOCK COMPACTOR		01
34	0503030168	HAIR PIN		01
35	0501012140	FLAT WASHER		01



Item	Code	Description	See page	QT
01	0502011273	DOUBLE DISC HUB		02
02	0503010276	6206 BALL BEARING		02
03	0501011832	HUB DOUBLE DISC PASSANG AXLE		02
04	0503010526	3011 SEAL RING		02
05	0503010525	00797-BA SEAL		02
06	0603020040	13" X 0.12" PLAIN COULTER BLADE		02
07	0503010546	5/16" X 7/8" BOLT		12
08	0503010337	5/16" NUT		12
09	0502010977	DOUBLE BLADE DISC SUPPORT		01
10	0501011989	5/8" X 1.9" BOLT		01
11	0501011988	5/8" X 1.9" BOLT		01
12	0503030757	2.9" X 2" X 0.02" JOINT		02
13	0502020599	COVER		02
14	0503010282	1/4" X 3/4" BOLT		06
15	0503010143	1/4" SPRING WASHER		06
16	0503010002	1800 GREASE FITTING		02
17	0501017541	RIGHT DOUBLE DISC SCRAPER		01
18	0501017542	LH DOUBLE DISC SCRAPER		01
19	0503010751	C3/8" X 1.1/4" HEX BOLT G.5		01
20	0501010984	FLAT WASHER		01
21	0503010025	3/8" SPRING WASHER		01
22	0503010026	3/8" NUT		01



Item	Code	Description	See page	QT
01	0521068996	WHEEL FORK		01
02	0521055431	LONG COMPACTOR WHEEL	32	01
03	0501010937	13.5 X 28 X 3 FLAT WASHER		01
04	0503011336	1/2" HEX SELF ADJUSTING NUT		01
05	0503011411	1/2" X 5-1/2" BOLT		01



Item	Code	Description	See page	QT
01	0581018311	LONG SINGLE COMPACTOR WHEEL		01
02	0581018337	CUBE COMPACTING WHEEL		02
03	0503019309	BEARING 6204-2RLD -V2		02
04	0503010272	SEAL 00715-BA		02
05	0503030143	3.3" X 1.9" X 0.1" JOINT		02
06	0503031514	DEPTH CONTROL WHEEL RUBBER BAND		01
07	0521014107	PRESS WHEEL RIM		02
08	0503010143	1/4" SPRING WASHER		05
09	0503010144	1/4" NUT		05
10	0503013815	1/4" X 5/8" BOLT		05
11	0503013814	1/4" NC LOCKNUT		05
12	0503010743	1/4" X 1-1/4" BOLT		05
13	0511017303	FLAT WASHER		05



MARCHESAN

Technical Publications | Elaboration and Revision

ALESSANDRA PATRICIA KAWAHARA CARRILI

www.marchesan.com.br

