

**SUBSOILER PLOW**

## **AST/MATIC E550 - 05/07/09 SHANKS**

**Code:** 0501093148

**Series:** S-0319

**Revision:** 01

**Date Revision:** JANEIRO/2022

# **PARTS CATALOGUE**



**MARCHESAN**



# PRODUCTS

Code	Description	
0101170233	AST/MATIC E 550 5H	S-0319
0101170232	AST/MATIC E 550 5H DC	S-0319
0101170231	AST/MATIC E 550 5H DC RD	S-0319
0101170234	AST/MATIC E 550 5H RD	S-0319
0101170241	AST/MATIC E 550 7H	S-0319
0101170240	AST/MATIC E 550 7H DC	S-0319
0101170239	AST/MATIC E 550 7H DC RD	S-0319
0101170239C	AST/MATIC E 550 7H DC RD EXP	S-0319
0101170242	AST/MATIC E 550 7H RD	S-0319
0101170249	AST/MATIC E 550 9H	S-0319
0101170248	AST/MATIC E 550 9H DC	S-0319
0101170247	AST/MATIC E 550 9H DC RD	S-0319
0101170247C	AST/MATIC E 550 9H DC RD EXP	S-0319
0101170250	AST/MATIC E 550 9H RD	S-0319

## ATTENTION: IMPORTANT

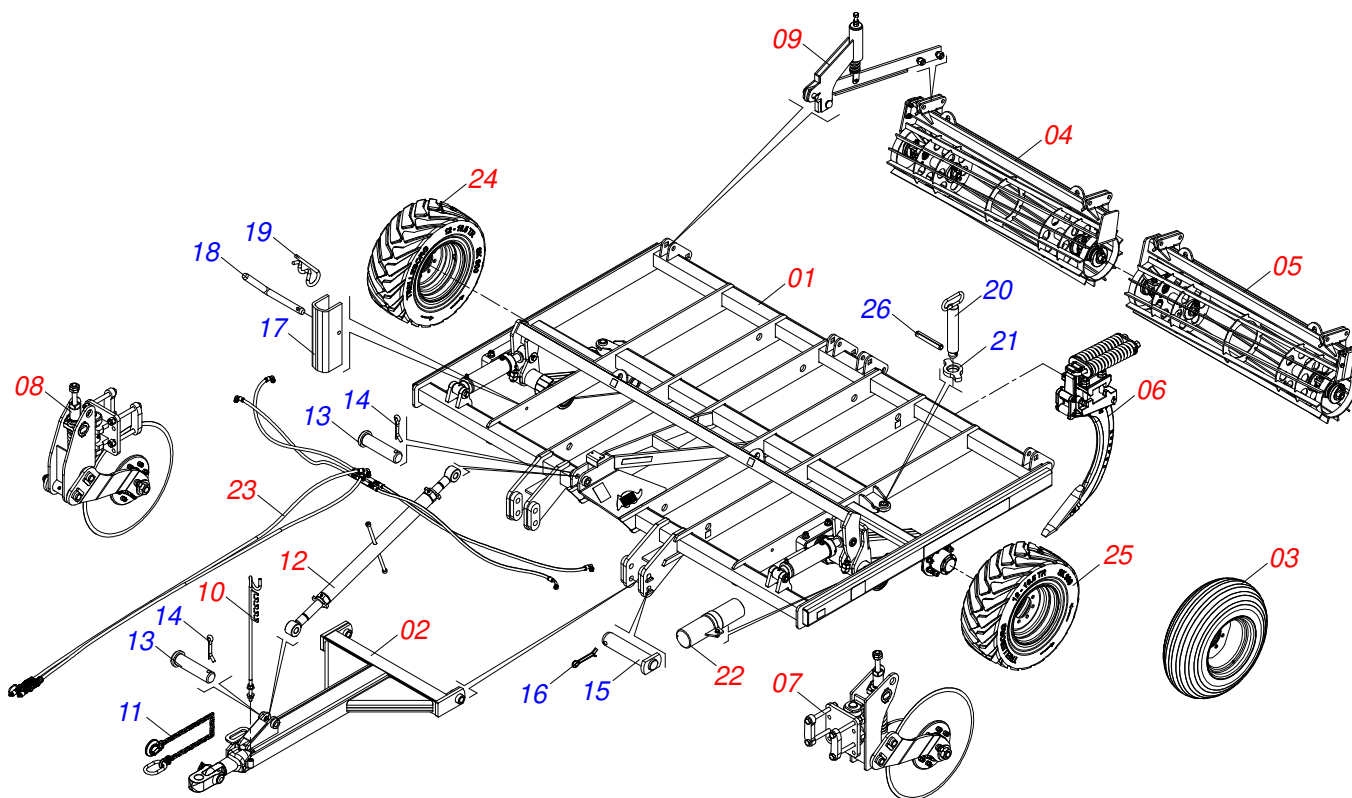
Marchesan S.A. reserves the right to improve and / or modify the technical features of its products, without obligation to do the same with those products already sold and without prior knowledge of the dealer or the consumer.



**MARCHESAN**

# INDEX

0909096102	FRAME ASSY	.....	1
0521055448	SEMI MOUNTED FRAME 5H	.....	2
0521055482	SEMI MOUNTED FRAME 7H	.....	3
0521055487	SEMI MOUNTED FRAME 9H	.....	4
0521055451	LEFT BRACKET WITH CUBE WHEEL	.....	5
0521055485	LEFT BRACKET WITH CUBE WHEEL	.....	6
0521055452	RIGHT BRACKET WITH CUBE WHEEL	.....	7
0521055486	RIGHT BRACKET WITH CUBE WHEEL	.....	8
0521055518	WHEEL WITHOUT TIRE	.....	9
0511059615	ASSY CUBE	.....	10
0521053332	HYDRAULIC CYLINDER 50,8 X 101,6 X 566,5 X 251,5	.....	11
0511041101	ASSY HEAD	.....	12
0511059186	ASSY HEADER	.....	13
0503060414	WHEEL AND TIRE	.....	14
0531053205	ASSY RIGHT DESTROYER ROLLER - 5H	.....	15
0531053211	ASSY RIGHT DESTROYER ROLLER 1800 - 7H	.....	16
0531053208	ASSY RIGHT DESTROYER ROLLER 2315 - 9H	.....	17
0531053206	ASSY LEFT DESTROYER ROLLER - 5H	.....	18
0531053209	ASSY LEFT DESTROYER ROLLER 1800 - 7H	.....	19
0531053207	ASSY LEFT DESTROYER ROLLER 2315 - 9H	.....	20
0501046922	AGRICULTURAL BEARING DM OL 192.5 X 1.1/4 IMPLEMENT	.....	21
0511045977	ROD ASSY SYSTEM	.....	22
0501057701	SYSTEM STEM WITHOUT SPRING	.....	23
0531053661	ROD WITH MOUNTED DISARM	.....	24
0501052884	1" X 23.03" FASTENER	.....	25
0521055495	ASSY DC REAR	.....	26
0521055494	ASSY DC FRONT	.....	27
0521044567	REAR BLADE DISC ASSY	.....	28
0521044568	BLADE DISC FRONT	.....	29
0511053370	24" X 7,5 BLADE DISC ASSY	.....	30
0501057526	DISC HUB	.....	31
0531053212	ASSY ARM DESTROYER ROLLER	.....	32
0501040257	3/4 X 1200 HOSE HOLDER A	.....	33
0531040996	ASSY EXTENDER (1122-1592)	.....	34
0521055450	MANUAL CANISTER ASSY	.....	35
0909096103	HYDRAULIC CIRCUIT	.....	36
0501053834	MALE QUICK COUPLER WITH CAP - 1/2 NPT	.....	37
0521054068	WHEEL WITH TIRE 12 X 16.5 - 12 CANVAS (RIGHT)	.....	38
0521055484	WHEEL WITH TIRE 12X16,5 -12 CANVAS (LEFT)	.....	39



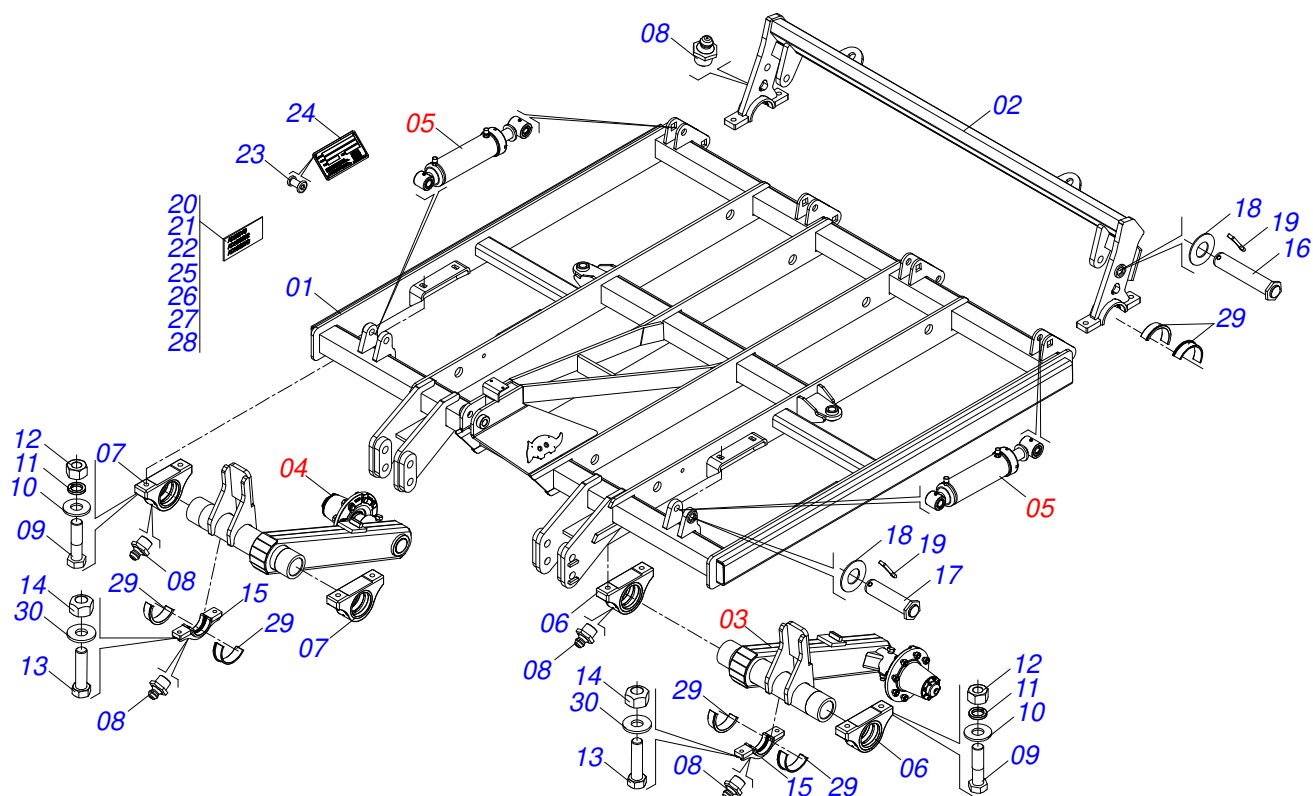
Item	Code	Description	See page	05	07	09
01	052105448	SEMI MOUNTED FRAME 5H	2	01	00	00
01.	052105482	SEMI MOUNTED FRAME 7H	3	00	01	00
01..	052105487	SEMI MOUNTED FRAME 9H	4	00	00	01
02	0511041101	ASSY HEAD	12	01	00	00
02.	0511059186	ASSY HEADER	13	00	01	01
03	0503060414	WHEEL AND TIRE	14	02	00	00
04	0531053205	ASSY RIGHT DESTROYER ROLLER - 5H	15	01	00	00
04.	0531053211	ASSY RIGHT DESTROYER ROLLER 1800 - 7H	16	00	01	00
04..	0531053208	ASSY RIGHT DESTROYER ROLLER 2315 - 9H	17	00	00	01
05	0531053206	ASSY LEFT DESTROYER ROLLER - 5H	18	01	00	00
05.	0531053209	ASSY LEFT DESTROYER ROLLER 1800 - 7H	19	00	01	00
05..	0531053207	ASSY LEFT DESTROYER ROLLER 2315 - 9H	20	00	00	01
06	0511045977	ROD ASSY SYSTEM	22	05	07	09
07	0521055495	ASSY DC REAR	26	03	05	07
08	0521055494	ASSY DC FRONT	27	02	02	02
09	0531053212	ASSY ARM DESTROYER ROLLER	32	04	04	04
10	0501040257	3/4 X 1200 HOSE HOLDER A	33	01	01	01
11	0503013150	1300 X 3/8 CHAIN		01	01	01
12	0531040996	ASSY EXTENDER (1122-1592)	34	01	01	01
13	0531017716	AXLE TIGHTENER		02	02	02
14	0503010523	1/4" X 2" COTTERPIN		02	02	02
15	0521069764	AXLE LOCK Ø36,5 X 257 (HOLE 227)		02	02	02
16	0503010534	3/8 X 2-1/2 COTTERPIN		02	02	02
17	0551010280	253 TRANSPORT LOCK		02	02	02
18	0541016844	FIXER LOCK		02	02	02
19	0503030012	HAIR PIN		02	02	02
20	0531060370	REGULATOR SPINDLE 300		02	02	02
21	0541018672	COUNTERNUT		02	02	02
22	0521055450	MANUAL CANISTER ASSY	35	01	01	01
23	0909096103	HYDRAULIC CIRCUIT	36	01	01	01
24	0521054068	WHEEL WITH TIRE 12 X 16.5 - 12 CANVAS (RIGHT)	38	00	01	01



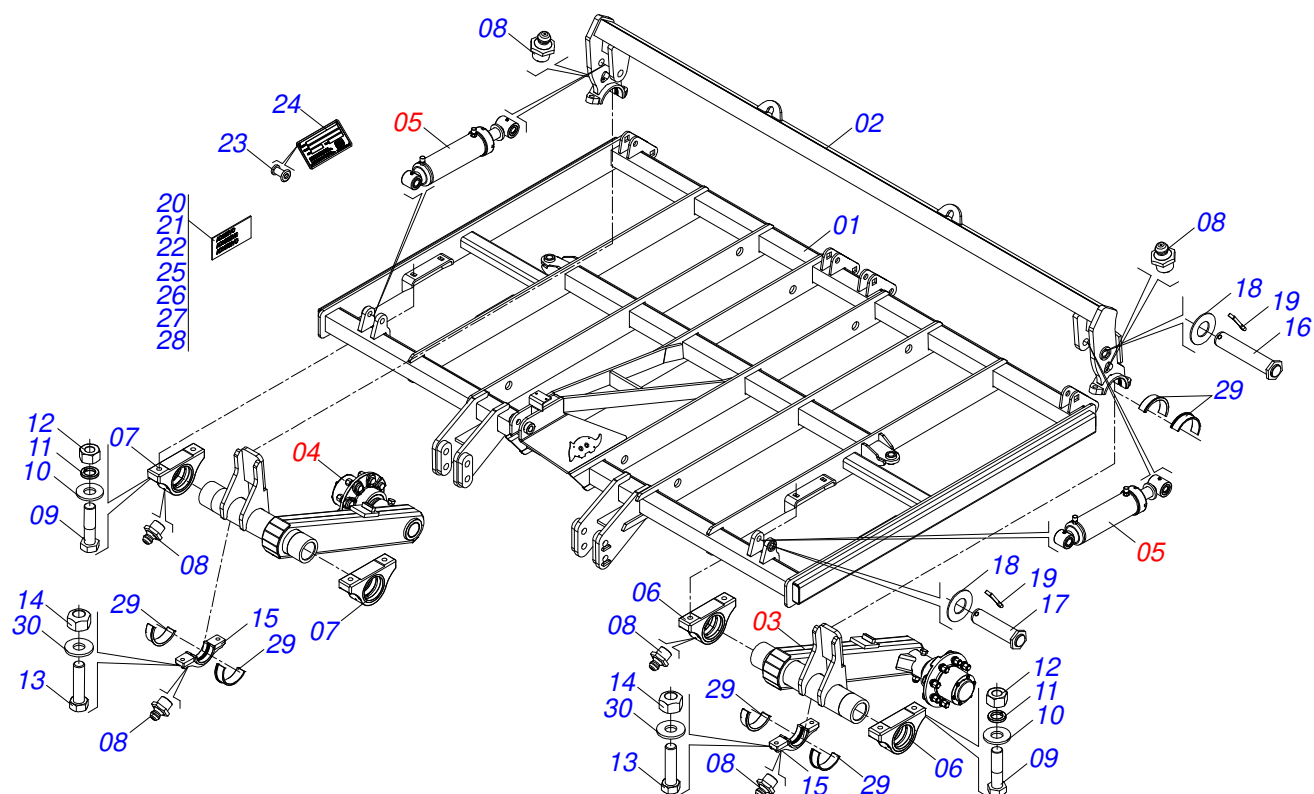
FRAME ASSY

0909096102

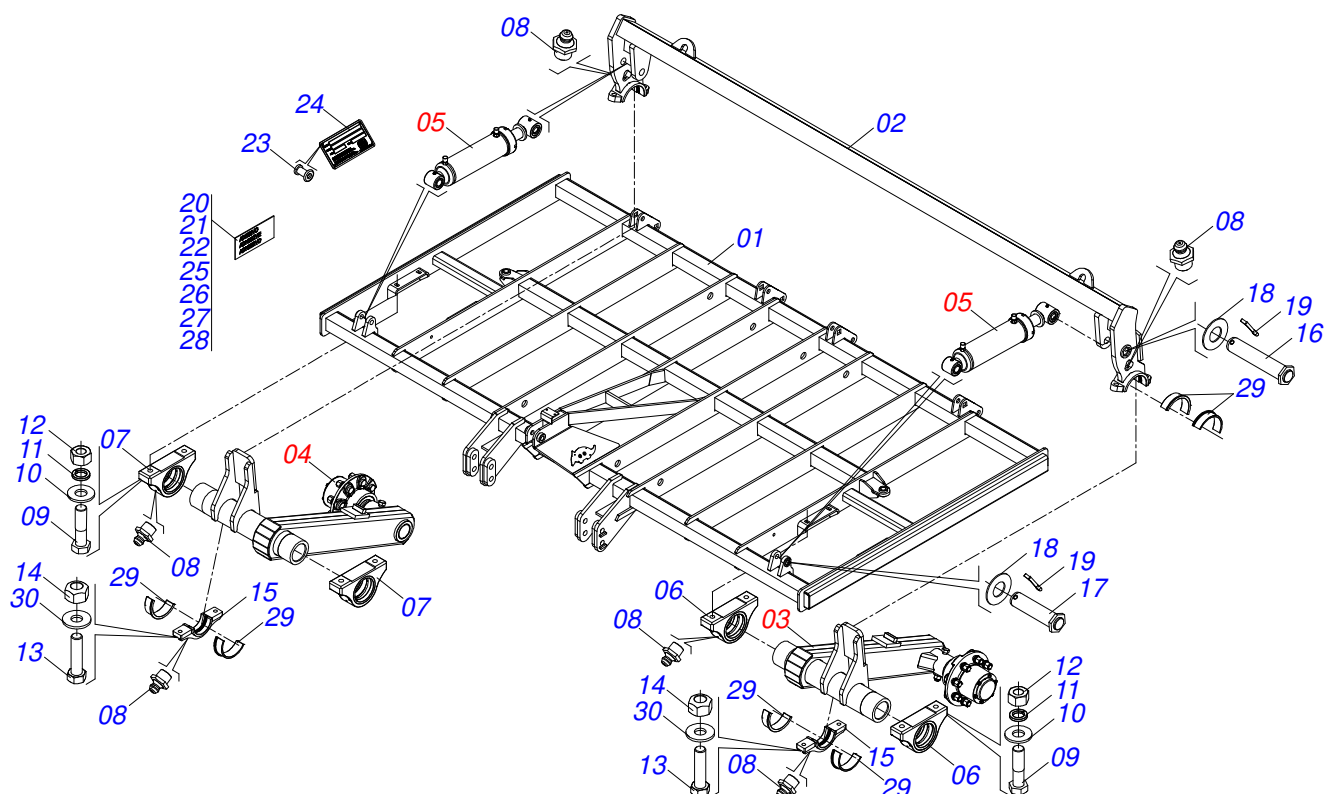
Item	Code	Description	See page	05	07	09
25	0521055484	WHEEL WITH TIRE 12X16,5 -12 CANVAS (LEFT)	39	00	01	01
26	0503010839	03"X 0.6" SPRING PIN		02	02	02



Item	Code	Description	See page	QT
01	0511063808	FRAME 5H		01
02	0531062077	WHEEL CONNECTION SUPPORT 2085 - 5H		01
03	0521055451	LEFT BRACKET WITH CUBE WHEEL	5	01
04	0521055452	RIGHT BRACKET WITH CUBE WHEEL	7	01
05	0521053332	HYDRAULIC CYLINDER 50,8 X 101,6 X 566,5 X 251,5	11	02
06	0501110563	LEFT PIVOT BEARING WITH SLEEVE		02
07	0501110568	RIGHT PIVOT BEARING WITH SLEEVE		02
08	0503010002	1800 GREASE FITTING		08
09	0503010901	3/4UNC 3.1/2 BOLT		08
10	0501010322	FLAT WASHER		08
11	0503011442	3/4" SPRING WASHER		08
12	0503010014	3/4" NUT		08
13	0501010500	3/4"X3"BOLT		04
14	0503011255	3/4" LOCK NUT		04
15	0531061742	SEMI BEARING ROUND CONNECTION SUPPORT		02
16	0521068984	AXLE LATCH 31,75 X 170 HOLE 150		02
17	0521068987	AXLE LATCH 31,75 X 150 HOLE 150		02
18	0521013442	FLAT WASHER		04
19	0503010523	1/4" X 2" COTTERPIN		04
20	0503031827	LUBRICATE AND RETIGHTEN DAILY DECAL		01
21	0503031428	READ MANUAL DECAL		01
22	0503031087	ADHESIVE LABEL		01
23	0503010001	3.2 X 5.5 RIVET		04
24	0503034003	SERIAL NUMBER TAG 61 X 118		01
25	0503034720	ADHESIVE LABEL		02
26	0503034499	HOSE IDENTIFICATION DECAL		01
27	0503034078	LIFTING POINTS DECAL		04
28	0503033795	ADHESIVE LABEL		02
29	0591012235	NYLON HALF GLOVE 124 X 114.4 X 87		08
30	0511815175	FLAT WASHER 22 X 40,50 X 4,00 SA		04

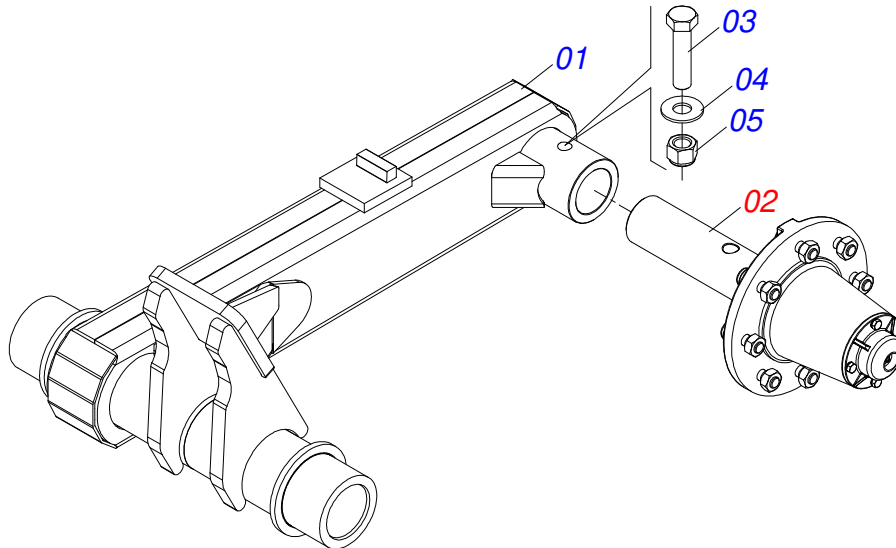


Item	Code	Description	See page	QT
01	0511063809	FRAME 7H		01
02	0531061743	WHEELED SUPPORT CONNECTION		01
03	0521055485	LEFT BRACKET WITH CUBE WHEEL	6	01
04	0521055486	RIGHT BRACKET WITH CUBE WHEEL	8	01
05	0521053332	HYDRAULIC CYLINDER 50,8 X 101,6 X 566,5 X 251,5	11	02
06	0501110563	LEFT PIVOT BEARING WITH SLEEVE		02
07	0501110568	RIGHT PIVOT BEARING WITH SLEEVE		02
08	0503010002	1800 GREASE FITTING		08
09	0503010901	3/4UNC 3.1/2 BOLT		08
10	0501010322	FLAT WASHER		08
11	0503011442	3/4" SPRING WASHER		08
12	0503010014	3/4" NUT		08
13	0503013394	3/4" X 3" BOLT		04
14	0503011255	3/4" LOCK NUT		04
15	0531061742	SEMI BEARING ROUND CONNECTION SUPPORT		02
16	0521068984	AXLE LATCH 31,75 X 170 HOLE 150		02
17	0521068987	AXLE LATCH 31,75 X 150 HOLE 150		02
18	0521013442	FLAT WASHER		04
19	0503010523	1/4" X 2" COTTERPIN		04
20	0503031827	LUBRICATE AND RETIGHTEN DAILY DECAL		01
21	0503031428	READ MANUAL DECAL		01
22	0503031087	ADHESIVE LABEL		01
23	0503010001	3.2 X 5.5 RIVET		04
24	0503034003	SERIAL NUMBER TAG 61 X 118		01
25	0503034720	ADHESIVE LABEL		02
26	0503034499	HOSE IDENTIFICATION DECAL		01
27	0503034078	LIFTING POINTS DECAL		04
28	0503033795	ADHESIVE LABEL		02
29	0591012235	NYLON HALF GLOVE 124 X 114.4 X 87		08
30	0511815175	FLAT WASHER 22 X 40,50 X 4,00 SA		04

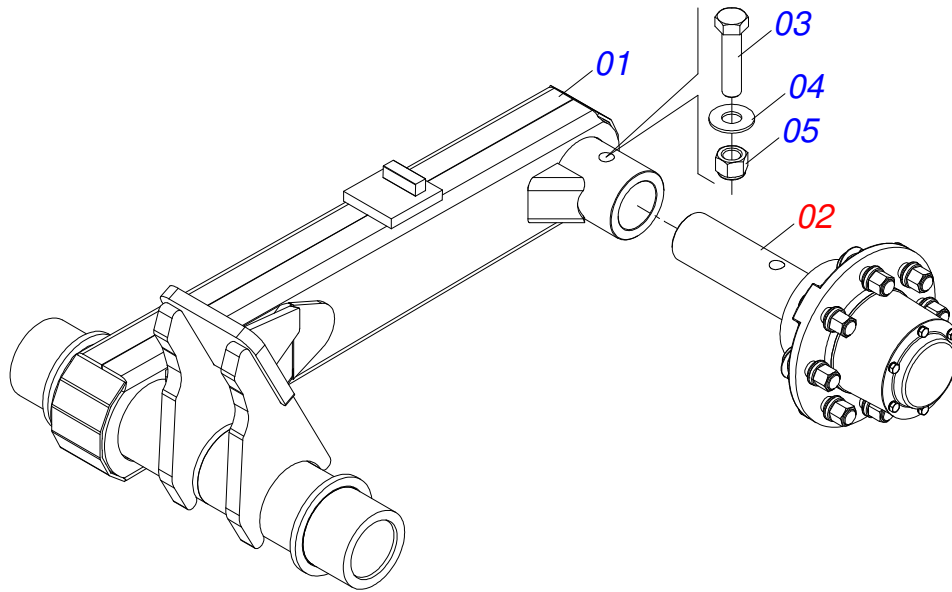


Item	Code	Description	See page	QT
01	0521069795	FRAME 9H		01
02	0531062078	WHEEL CONNECTION SUPPORT 4065 - 9H		01
03	0521055485	LEFT BRACKET WITH CUBE WHEEL	6	01
04	0521055486	RIGHT BRACKET WITH CUBE WHEEL	8	01
05	0521053332	HYDRAULIC CYLINDER 50,8 X 101,6 X 566,5 X 251,5	11	02
06	0501110563	LEFT PIVOT BEARING WITH SLEEVE		02
07	0501110568	RIGHT PIVOT BEARING WITH SLEEVE		02
08	0503010002	1800 GREASE FITTING		08
09	0503010901	3/4UNC 3.1/2 BOLT		08
10	0501010322	FLAT WASHER		08
11	0503011442	3/4" SPRING WASHER		08
12	0503010014	3/4" NUT		08
13	0501010500	3/4"X3"BOLT		04
14	0503011255	3/4" LOCK NUT		04
15	0531061742	SEMI BEARING ROUND CONNECTION SUPPORT		02
16	0521068984	AXLE LATCH 31,75 X 170 HOLE 150		02
17	0521068987	AXLE LATCH 31,75 X 150 HOLE 150		02
18	0521013442	FLAT WASHER		04
19	0503010523	1/4" X 2" COTTERPIN		04
20	0503031827	LUBRICATE AND RETIGHTEN DAILY DECAL		01
21	0503031428	READ MANUAL DECAL		01
22	0503031087	ADHESIVE LABEL		01
23	0503010001	3.2 X 5.5 RIVET		04
24	0503034003	SERIAL NUMBER TAG 61 X 118		01
25	0503034720	ADHESIVE LABEL		02
26	0503034499	HOSE IDENTIFICATION DECAL		01
27	0503034078	LIFTING POINTS DECAL		04
28	0503033795	ADHESIVE LABEL		02
29	0591012235	NYLON HALF GLOVE 124 X 114.4 X 87		08
30	0511815175	FLAT WASHER 22 X 40,50 X 4,00 SA		04

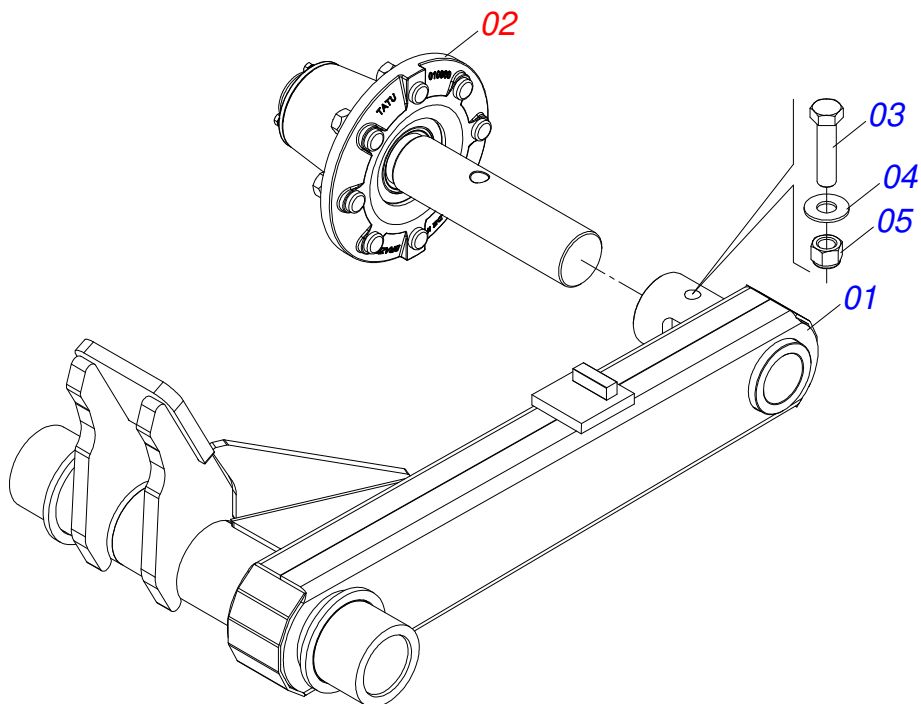




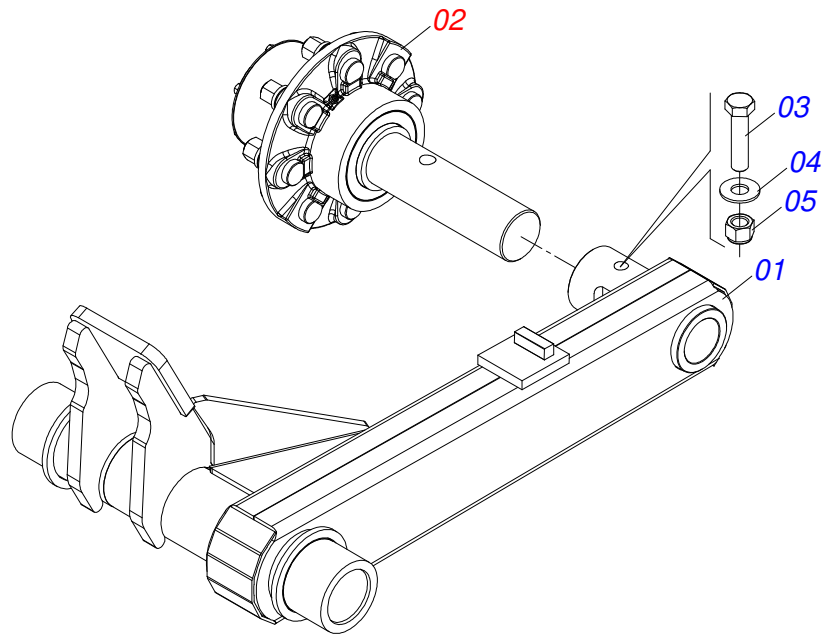
Item	Code	Description	See page	QT
01	0531061744	WHEEL SET LEFT SUPPORT		01
02	0521055518	WHEEL WITHOUT TIRE	9	01
03	0503013185	3/4" X 5-1/2" BOLT		01
04	0501017065	FLAT WASHER		01
05	0503011255	3/4" LOCK NUT		01



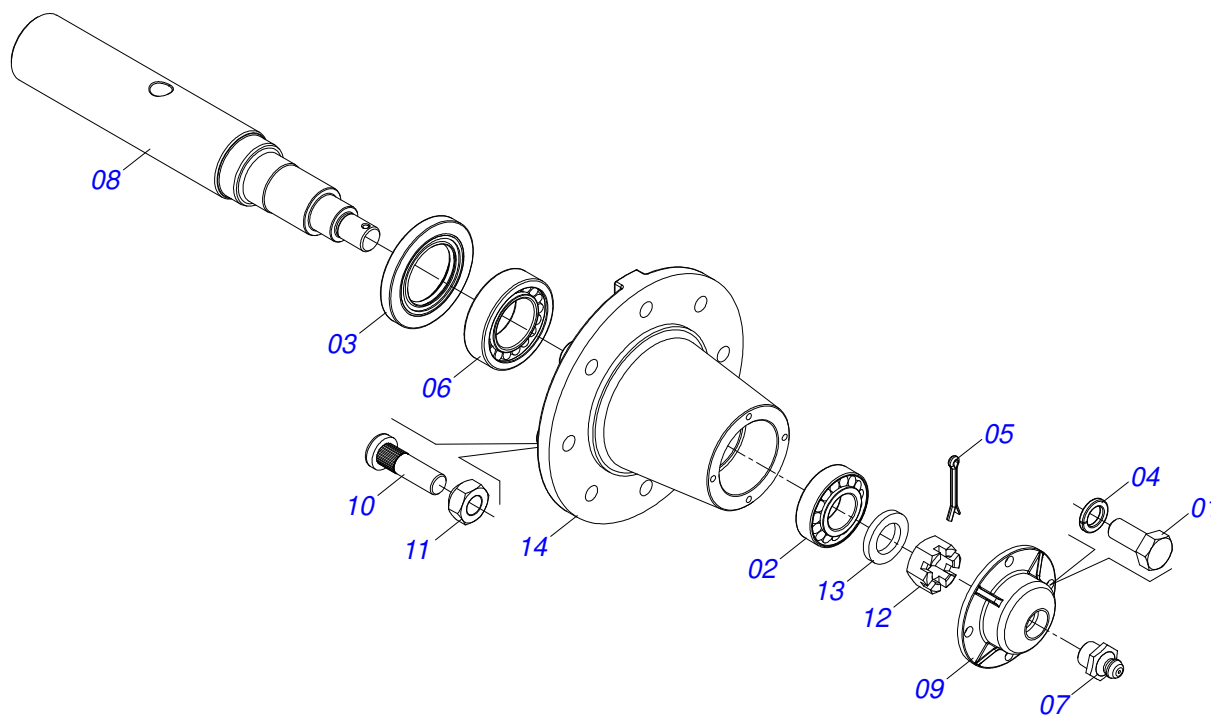
Item	Code	Description	See page	QT
01	0531061744	WHEEL SET LEFT SUPPORT		01
02	0511059615	ASSY CUBE	10	01
03	0503013185	3/4" X 5-1/2" BOLT		01
04	0501017065	FLAT WASHER		01
05	0503010152	3/4" SELF LOCKING NUT		01



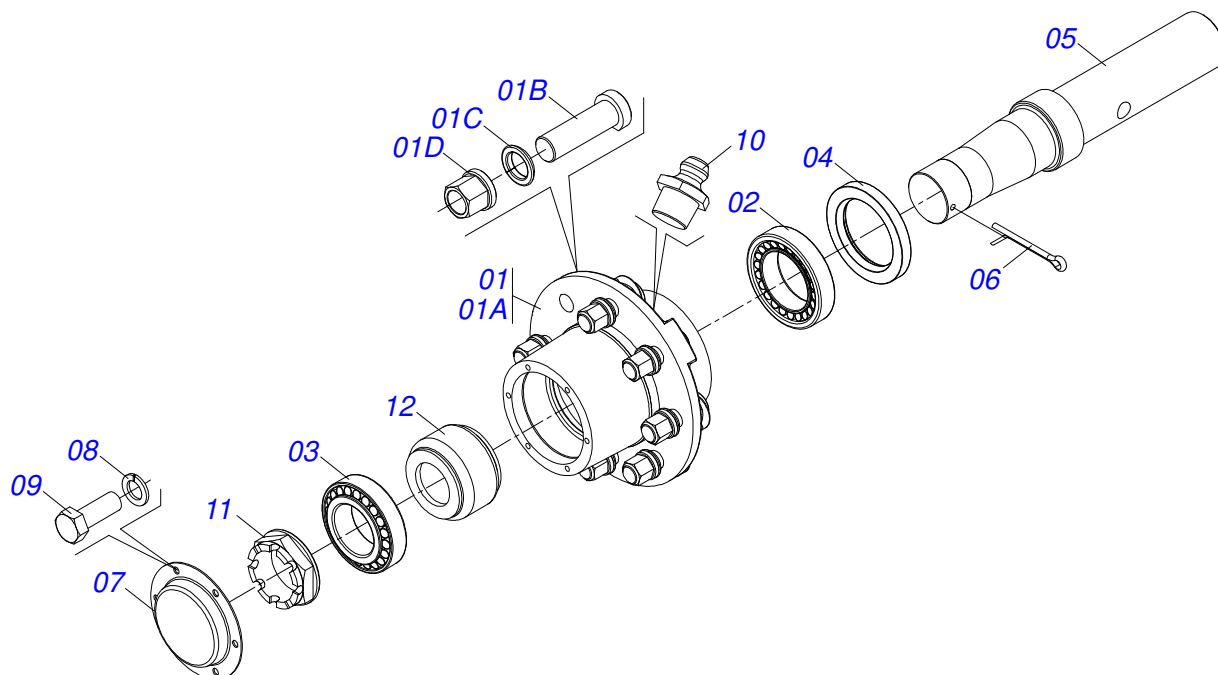
Item	Code	Description	See page	QT
01	0531061745	RIGHT WHEEL SUPPORT		01
02	0521055518	WHEEL WITHOUT TIRE	9	01
03	0503013185	3/4" X 5-1/2" BOLT		01
04	0501017065	FLAT WASHER		01
05	0503011255	3/4" LOCK NUT		01



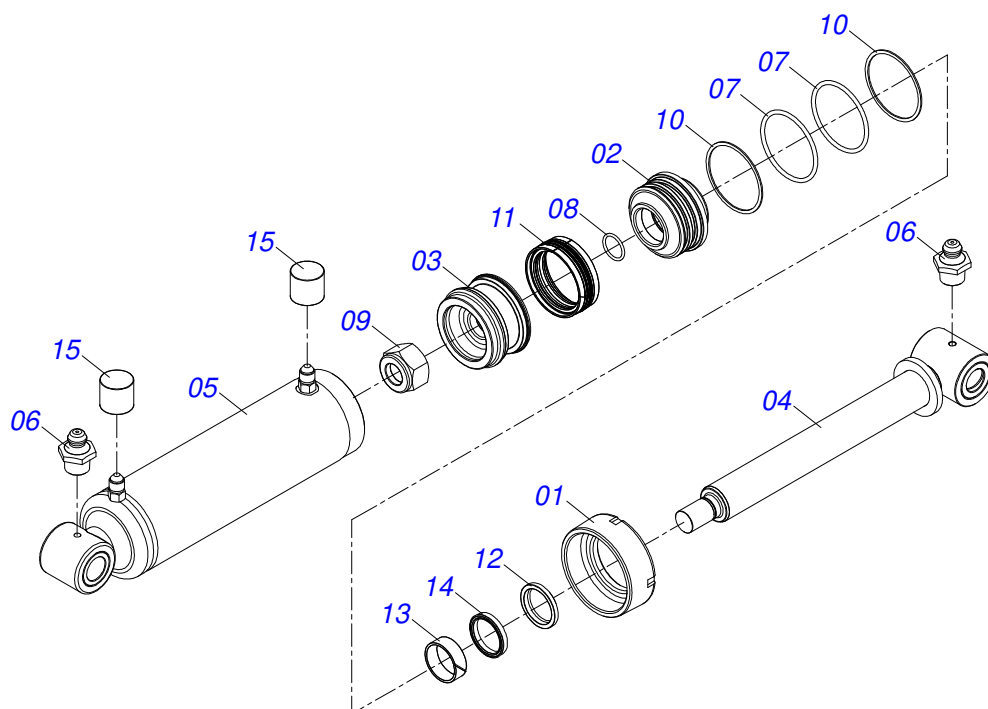
Item	Code	Description	See page	QT
01	0531061745	RIGHT WHEEL SUPPORT		01
02	0511059615	ASSY CUBE	10	01
03	0503013185	3/4" X 5-1/2" BOLT		01
04	0501017065	FLAT WASHER		01
05	0503010152	3/4" SELF LOCKING NUT		01



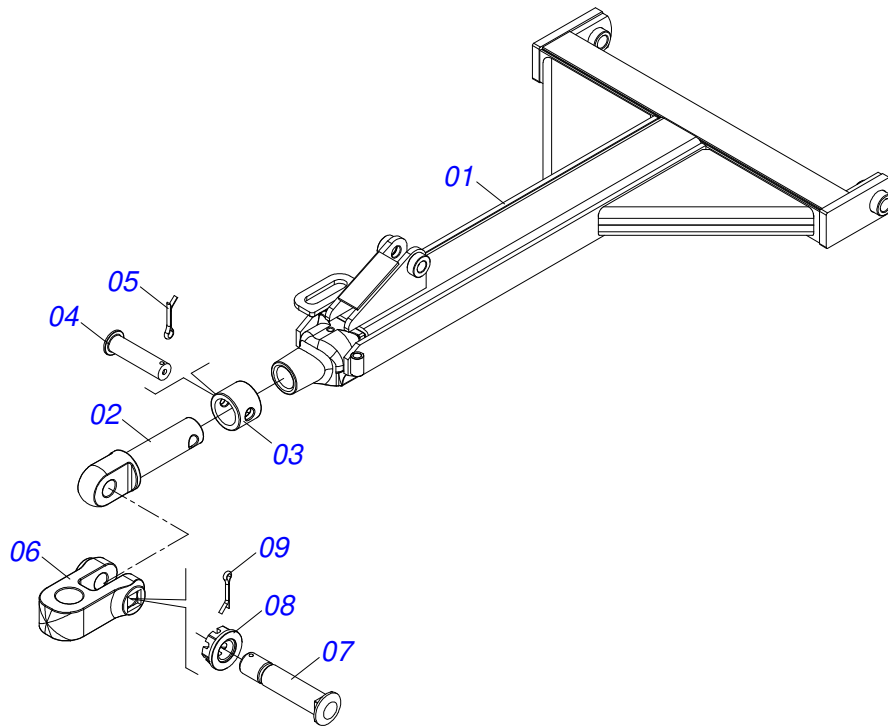
Item	Code	Description	See page	QT
01	0503010358	5/16" X 5/8" BOLT		04
02	0503014821	ROLLER BEARING		01
03	0503013314	RETENTOR 5166-GB 63,5 X 110 X 13 ARCA		01
04	0503011444	SPRING WASHER		04
05	0503010018	5/32 X 1-1/2 COTTERPIN		01
06	0503010008	ROLAMENTO 3780/37203		01
07	0503010002	1800 GREASE FITTING		01
08	0591010027	AXIS TIP		01
09	0502020591	PROTECCION COVER		01
10	0501010186	WHEEL SCREW 5/8UNF X 2.1/8CR		08
11	0503010064	5/8 UNF CONIC NUT		08
12	0503030009	1" CASTLE NUT		01
13	0511012492	ARRUELA LISA 28 X 46 X 6,30		01
14	0502012260	CAIXA RODADO TRANSPORTE		01



Item	Code	Description	See page	QT
01	0501110751	HUB AND SPINDLE WITH BOLT		01
01A	0502040522	HUB CARRYING-WHEELS		01
01B	0503011339	M22 X 1,5 X 72 BOLT		08
01C	0503011340	SPHERICAL SPRING WASHER		08
01D	0503011341	M22 X 0.6" NUT GR8 NUT		08
02	0503010059	33287/33462 ROLLER BEARING		01
03	0503010007	3982/3920 ROLLER BEARING		01
04	0503010050	SEAL 00085-B		01
05	0581012926	AXLE ASSY		01
06	0503011345	1/4" X 3-1/2" COTTERPIN		01
07	0541013225	WHEEL BOX COVER		01
08	0503011444	SPRING WASHER		06
09	0503010240	5/16" X 3/4" BOLT		06
10	0503010002	1800 GREASE FITTING		01
11	0502040080	FLANGE NUT R.2.1/2 UN		01
12	1882970002	GREASE SOAP		2,237Kg

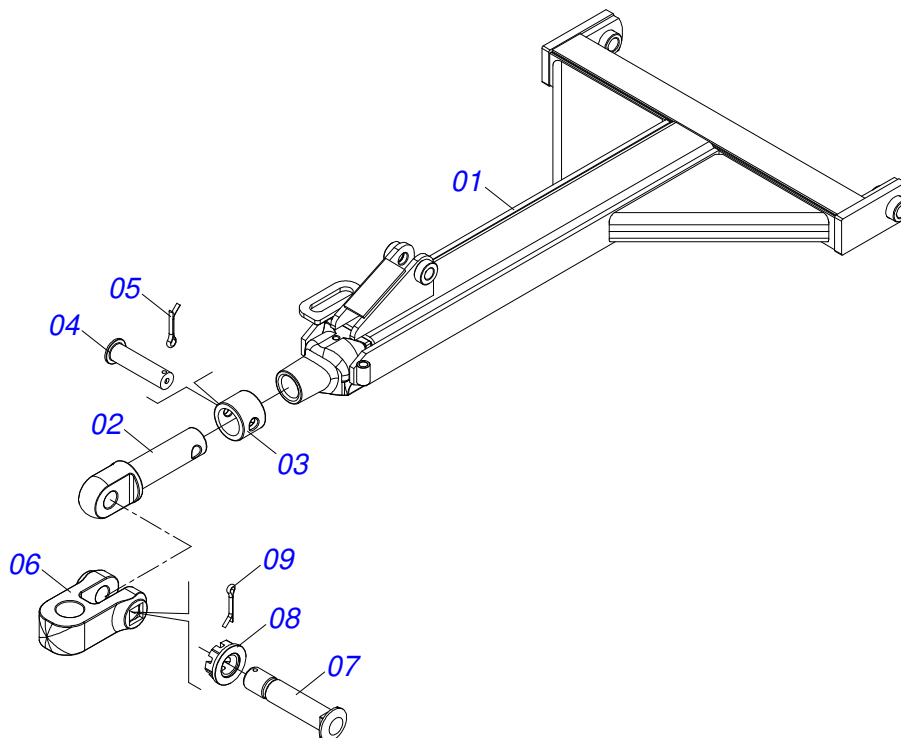


Item	Code	Description	See page	QT
01	0502012822	101.60 END CAP		01
02	0581010678	50,80 X 101 RING SUPPORT		01
03	0502012842	50,80 X 101,60 PISTON		01
04	0521066898	EXTENDER 50.80 X 492.50		01
05	0511071442	SHIRT 101.6 X 447.5		01
06	0503010002	1800 GREASE FITTING		02
07	0503010338	2-342 N 3006-9B O'RING		02
08	0503010345	2-218 N 3006-9B O'RING		01
09	0503010817	1.1/4" SELF LOCKING NUT		01
10	0503011061	8-342 BACK-UP RING		02
11	0503015633	SELEMASTER SEALING		01
12	0503015636	SCRAPER SEAL		01
13	0503018025	RING GUIDE		01
14	0503018026	1870-2000-375 B GASKET		01
15	0503030385	CYLINDER PLUG N-002		02
16	0511032511	ASSY CYLINDER REPAIR KIT 50.8X101.6		01

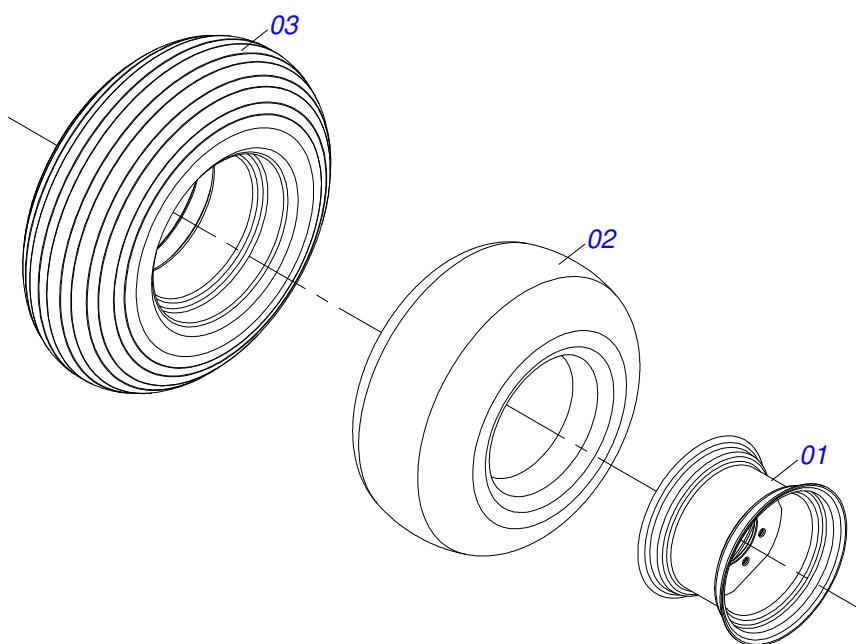


Item	Code	Description	See page	QT
01	0511063767	DRAWBAR		01
02	0502040223	DRAWBOLT		01
03	1902040327	LOCK SLEEVE		01
04	0511014902	COUPLING SHAFT		01
05	0503010571	1/4" X 1.1/2 COTTERPIN		01
06	1902040732	COUPLING		01
07	0521012545	COUPLING SHAFT		01
08	0501011301	1.1/2 UNC 6FPP 2.5/16 NUT		01
09	0503010010	1/4" X 2.1/2" COTTERPIN		01

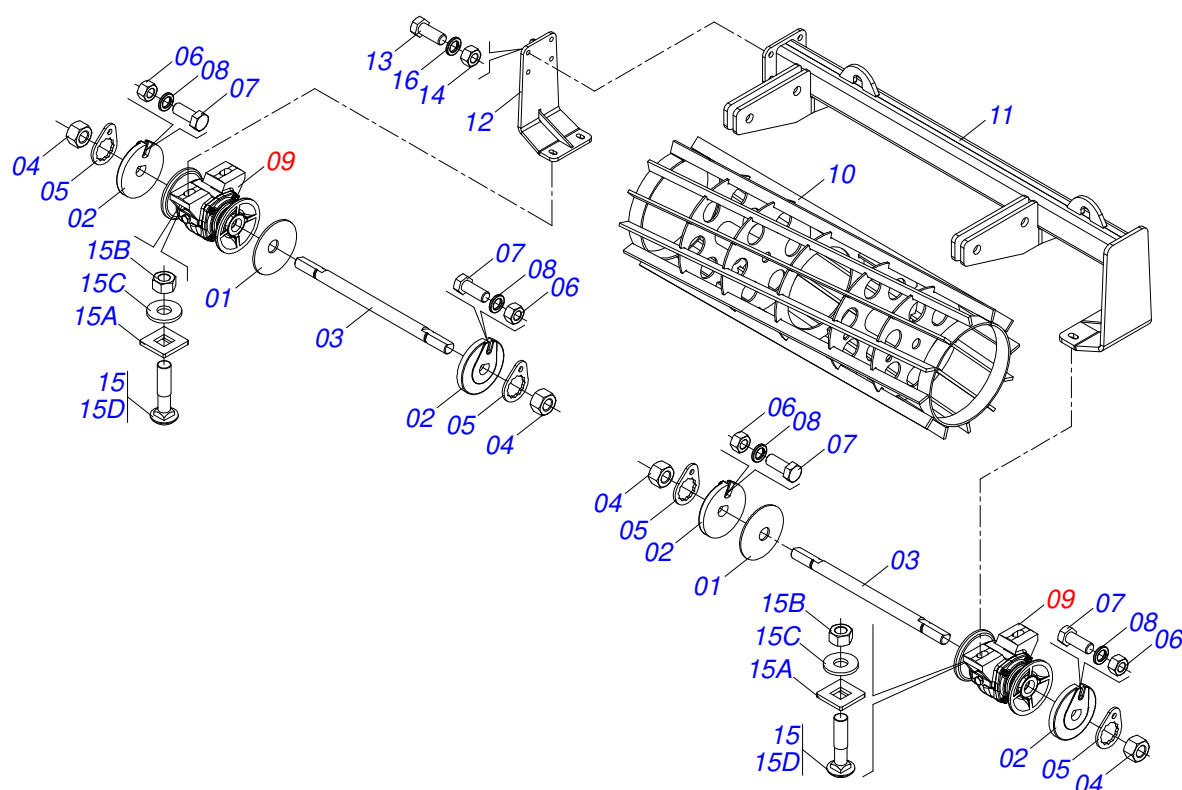




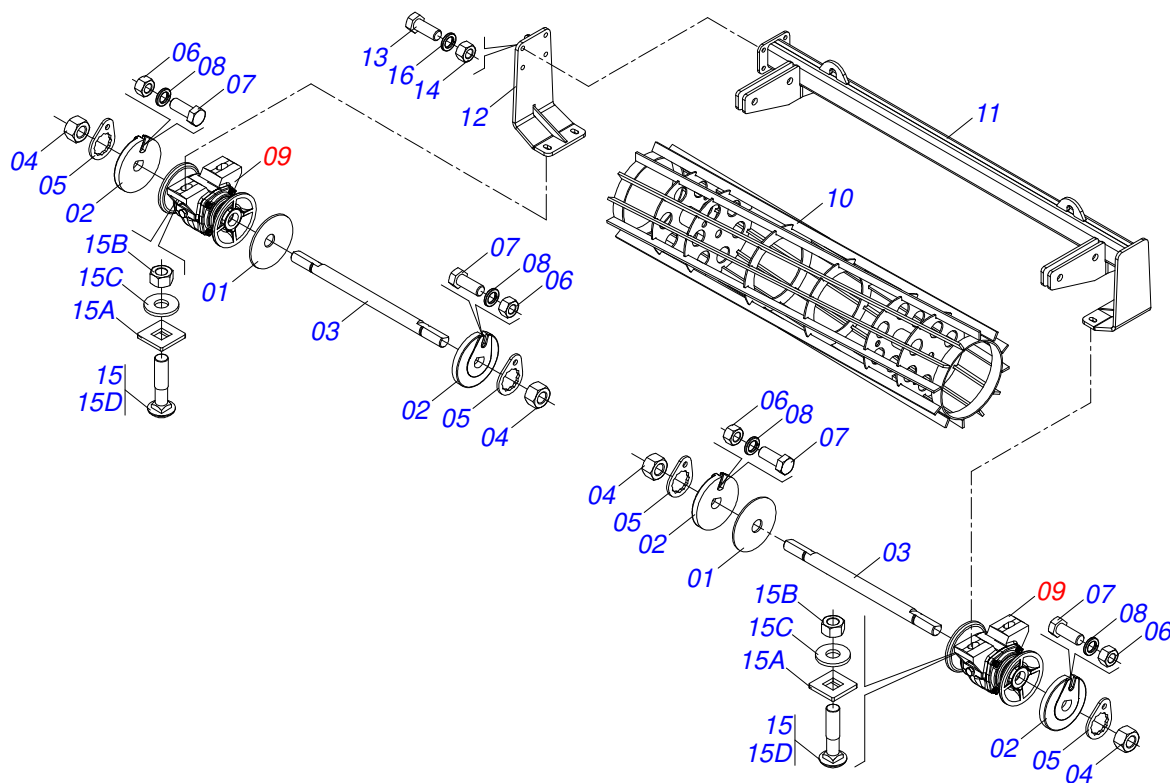
Item	Code	Description	See page	QT
01	0511063767	DRAWBAR		01
02	0502040223	DRAWBOLT		01
03	1902040327	LOCK SLEEVE		01
04	0511014902	COUPLING SHAFT		01
05	0503010571	1/4" X 1.1/2 COTTERPIN		01
06	1902040733	U COUPLING HOOK		01
07	0521012545	COUPLING SHAFT		01
08	0501011301	1.1/2 UNC 6FPP 2.5/16 NUT		01
09	0503010010	1/4" X 2.1/2" COTTERPIN		01



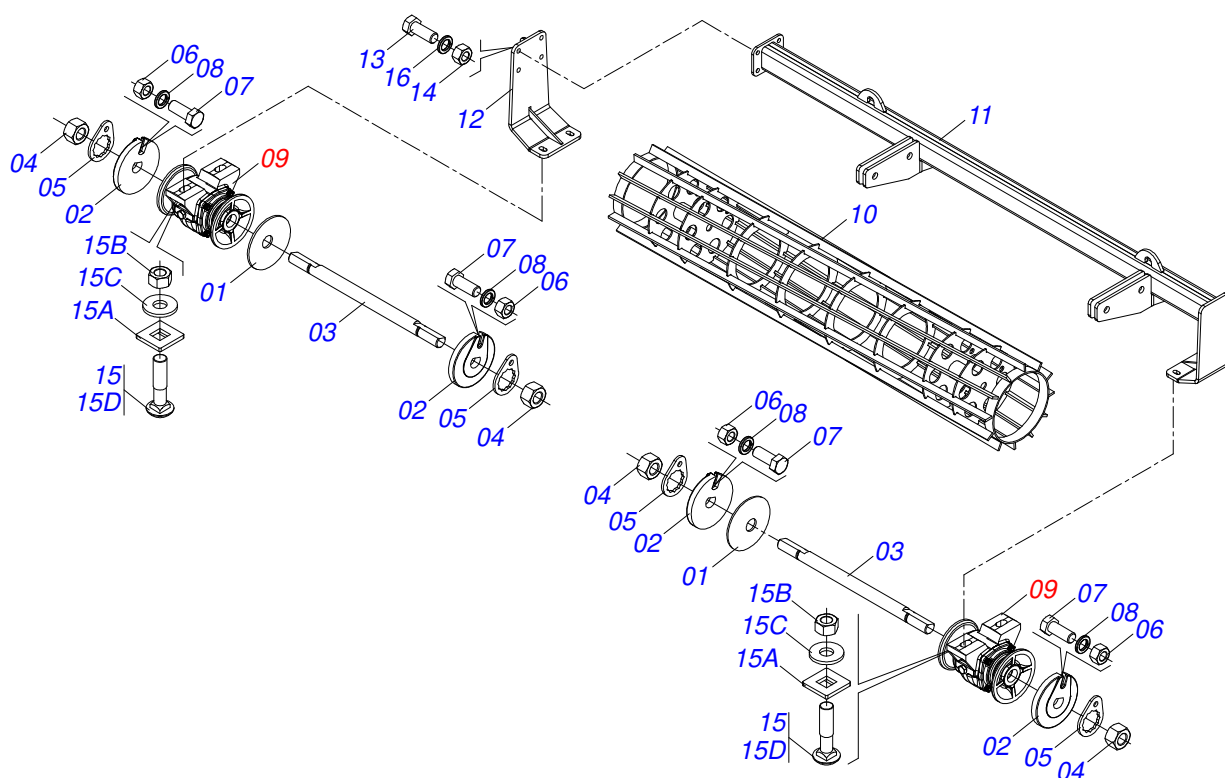
Item	Code	Description	See page	QT
01	0503012108	WHEEL 10 LB X 15 X 8F X 203		01
02	0503010860	AIR CHAMBER 11L 15		01
03	0503011469	RIB TIRE BL - 12L		01



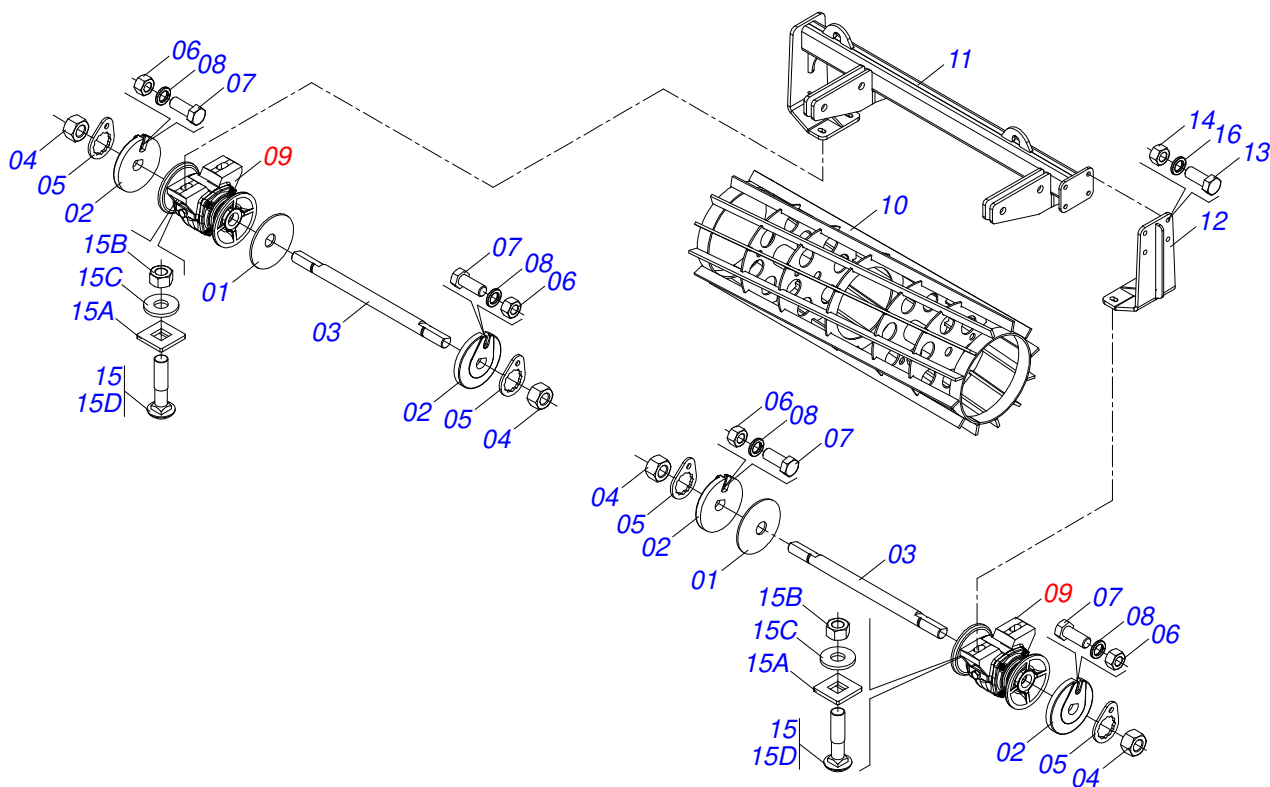
Item	Code	Description	See page	QT
01	0531018575	WASHER CONCAVE		02
02	1902010835	1-1/4" EXTERNAL AXLE WASHER		04
03	0501010752	1.1/4" X 500 AXLE		02
04	0501010087	1.1/4" NUT		04
05	0501010455	1.1/4" NUT LOCK		04
06	0503010060	1/2" NUT		04
07	0501010161	1/2" X 1.1/4" BOLT		04
08	0503011440	SPRING WASHER		04
09	0501046922	AGRICULTURAL BEARING DM OL 192.5 X 1.1/4 21 IMPLEMENT		02
10	0521069761	DESTROYER ROLLER 1265 5H		01
11	0531063083	RIGHT DESTROYER ROLLER SUPPORT 1280 - 5H		01
12	0531063091	SUPPORT DESTROYER ROLLER		01
13	0503010232	5/8" X 1.3/4" BOLT		04
14	0503010013	5/8" NUT		04
15	0501058802	5/8 UNC X 2.3/4 BOLT ASSY		04
15A	0501010947	5/8 NUT LOCK		01
15B	0503010013	5/8" NUT		02
15C	0501012140	FLAT WASHER		01
15D	0503015154	5/8" X 2.3/4" BOLT		01
16	0503011445	SPRING WASHER		04



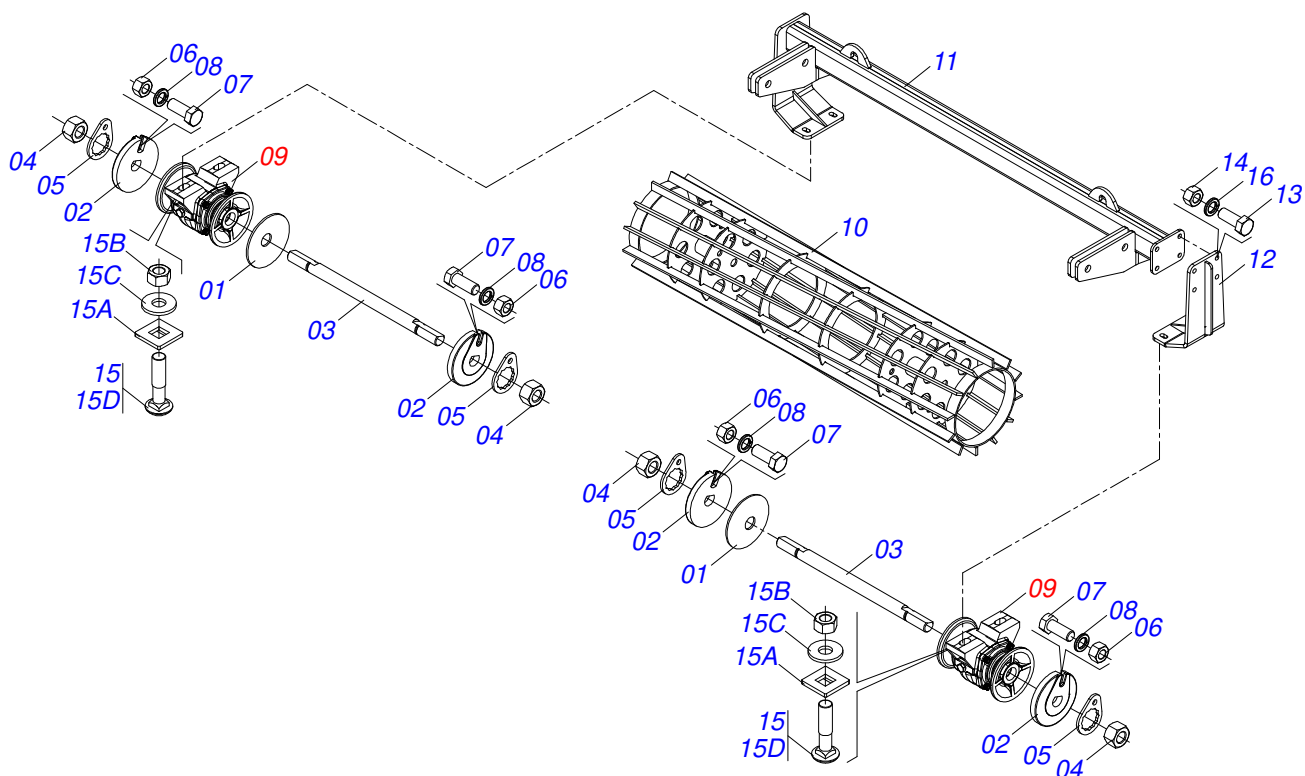
Item	Code	Description	See page	QT
01	0531018575	WASHER CONCAVE	02	
02	1902010835	1-1/4" EXTERNAL AXLE WASHER	04	
03	0501010752	1.1/4" X 500 AXLE	02	
04	0501010087	1.1/4" NUT	04	
05	0501010455	1.1/4" NUT LOCK	04	
06	0503010060	1/2" NUT	04	
07	0501010161	1/2" X 1.1/4" BOLT	04	
08	0503011440	SPRING WASHER	04	
09	0501046922	AGRICULTURAL BEARING DM OL 192.5 X 1.1/4 21 IMPLEMENT	02	
10	0521069790	DESTROYER ROLLER 1800	01	
11	0531063088	SUPPORT RIGHT DESTROYER ROLLER 1815 - 7H	01	
12	0531063091	SUPPORT DESTROYER ROLLER	01	
13	0503010232	5/8" X 1.3/4" BOLT	04	
14	0503010013	5/8" NUT	04	
15	0501058802	5/8 UNC X 2.3/4 BOLT ASSY	04	
15A	0501010947	5/8 NUT LOCK	01	
15B	0503010013	5/8" NUT	02	
15C	0501012140	FLAT WASHER	01	
15D	0503015154	5/8" X 2.3/4" BOLT	01	
16	0503011445	SPRING WASHER	04	



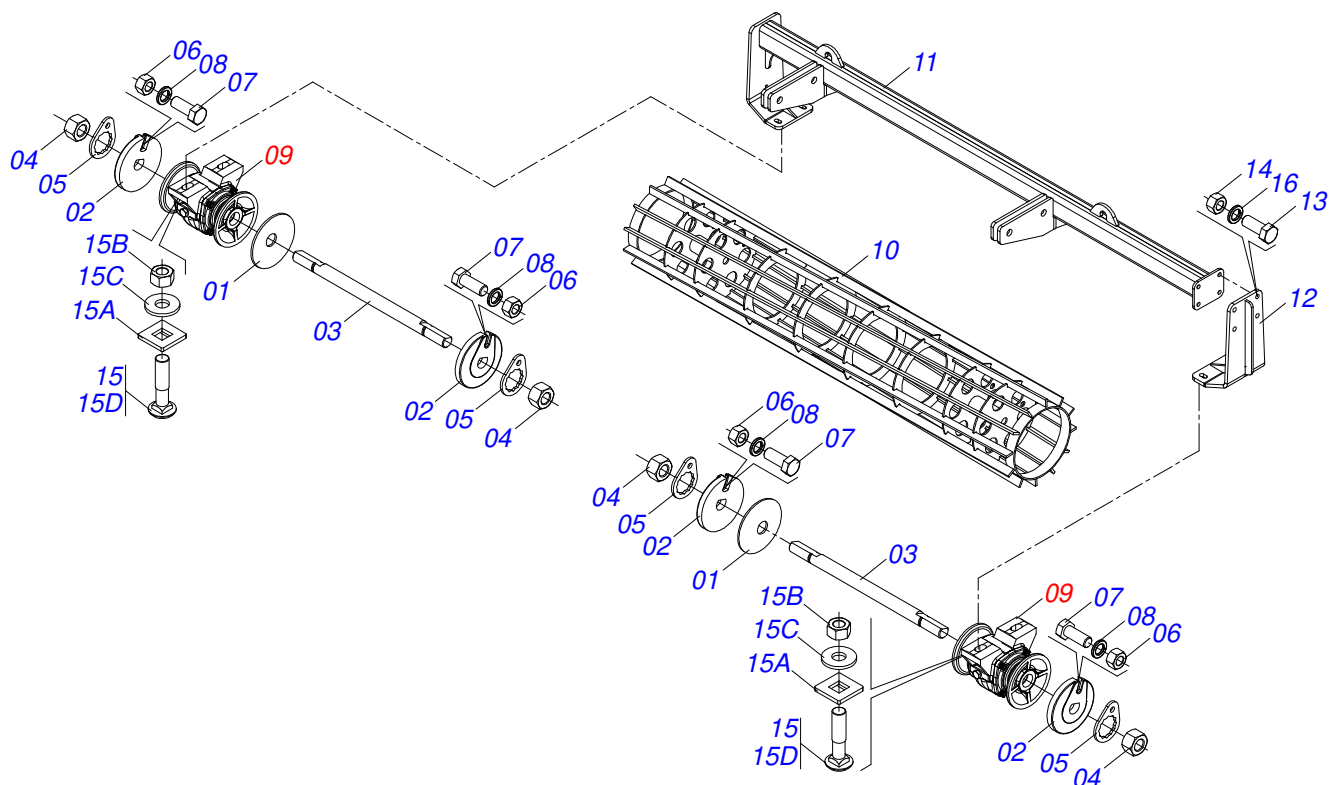
Item	Code	Description	See page	QT
01	0531018575	WASHER CONCAVE		02
02	1902010835	1-1/4" EXTERNAL AXLE WASHER		04
03	0501010752	1.1/4" X 500 AXLE		02
04	0501010087	1.1/4" NUT		04
05	0501010455	1.1/4" NUT LOCK		04
06	0503010060	1/2" NUT		04
07	0501010161	1/2" X 1.1/4" BOLT		04
08	0503011440	SPRING WASHER		04
09	0501046922	AGRICULTURAL BEARING DM OL 192.5 X 1.1/4 21 IMPLEMENT		02
10	0521065479	DESTROYER ROLLER 2290		01
11	0531063086	SUPPORT RIGHT DESTROYER ROLLER 2315 - 9H		01
12	0531063091	SUPPORT DESTROYER ROLLER		01
13	0503010232	5/8" X 1.3/4" BOLT		04
14	0503010013	5/8" NUT		04
15	0501058802	5/8 UNC X 2.3/4 BOLT ASSY		04
15A	0501010947	5/8 NUT LOCK		01
15B	0503010013	5/8" NUT		02
15C	0501012140	FLAT WASHER		01
15D	0503015154	5/8" X 2.3/4" BOLT		01
16	0503011445	SPRING WASHER		04



Item	Code	Description	See page	QT
01	0531018575	WASHER CONCAVE		02
02	1902010835	1-1/4" EXTERNAL AXLE WASHER		04
03	0501010752	1.1/4" X 500 AXLE		02
04	0501010087	1.1/4" NUT		04
05	0501010455	1.1/4" NUT LOCK		04
06	0503010060	1/2" NUT		04
07	0501010161	1/2" X 1.1/4" BOLT		04
08	0503011440	SPRING WASHER		04
09	0501046922	AGRICULTURAL BEARING DM OL 192.5 X 1.1/4 21 IMPLEMENT		02
10	0521069761	DESTROYER ROLLER 1265 5H		01
11	0531063084	SUPPORT LEFT DESTROYER ROLLE 1280 - 5H		01
12	0531063091	SUPPORT DESTROYER ROLLER		01
13	0503010232	5/8" X 1.3/4" BOLT		04
14	0503010013	5/8" NUT		04
15	0501058802	5/8 UNC X 2.3/4 BOLT ASSY		04
15A	0501010947	5/8 NUT LOCK		01
15B	0503010013	5/8" NUT		02
15C	0501012140	FLAT WASHER		01
15D	0503015154	5/8" X 2.3/4" BOLT		01
16	0503011445	SPRING WASHER		04

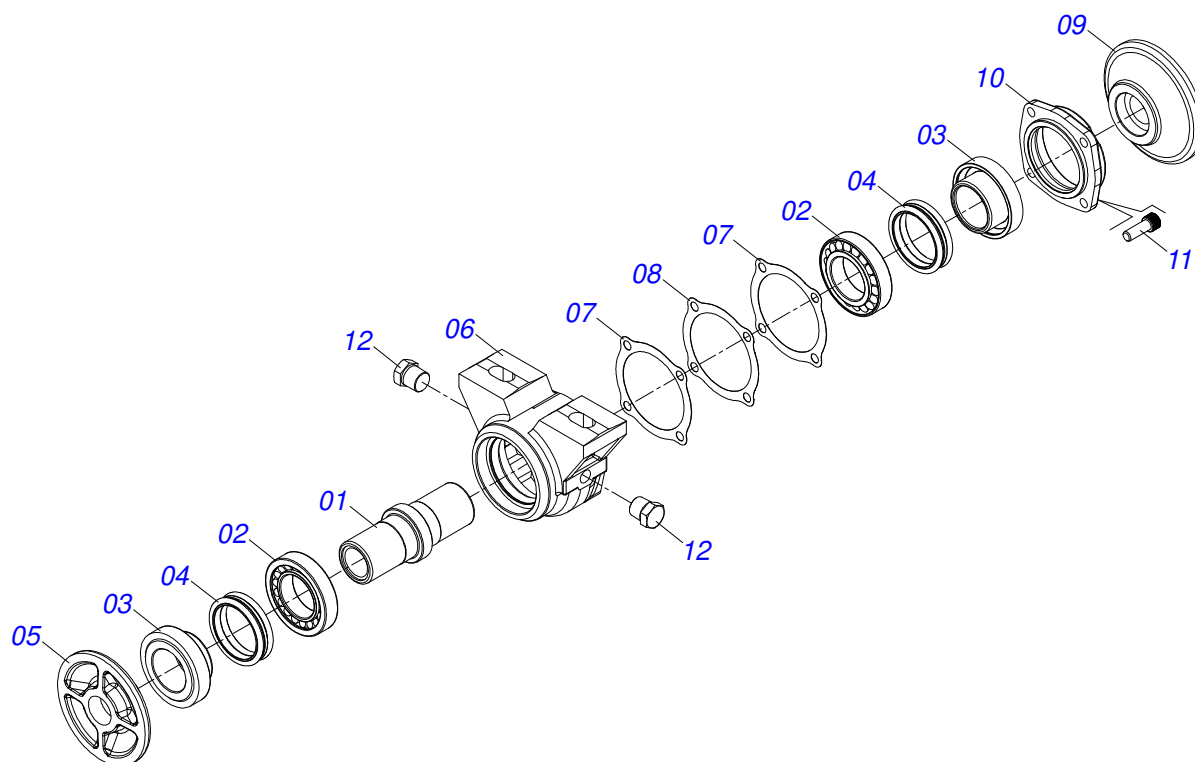


Item	Code	Description	See page	QT
01	0531018575	WASHER CONCAVE		02
02	1902010835	1-1/4" EXTERNAL AXLE WASHER		04
03	0501010752	1.1/4" X 500 AXLE		02
04	0501010087	1.1/4" NUT		04
05	0501010455	1.1/4" NUT LOCK		04
06	0503010060	1/2" NUT		04
07	0501010161	1/2" X 1.1/4" BOLT		04
08	0503011440	SPRING WASHER		04
09	0501046922	AGRICULTURAL BEARING DM OL 192.5 X 1.1/4 21 IMPLEMENT		02
10	0521069790	DESTROYER ROLLER 1800		01
11	0531063087	SUPPORT LEFT DESTROYER ROLLER 1815 - 7H		01
12	0531063091	SUPPORT DESTROYER ROLLER		01
13	0503010232	5/8" X 1.3/4" BOLT		04
14	0503010013	5/8" NUT		04
15	0501058802	5/8 UNC X 2.3/4 BOLT ASSY		04
15A	0501010947	5/8 NUT LOCK		01
15B	0503010013	5/8" NUT		02
15C	0501012140	FLAT WASHER		01
15D	0503015154	5/8" X 2.3/4" BOLT		01
16	0503011445	SPRING WASHER		04

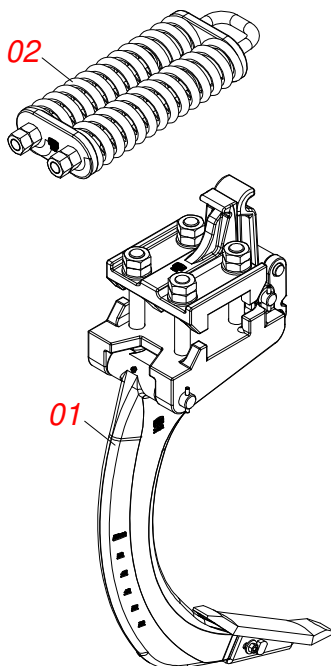


Item	Code	Description	See page	QT
01	0531018575	WASHER CONCAVE		02
02	1902010835	1-1/4" EXTERNAL AXLE WASHER		04
03	0501010752	1.1/4" X 500 AXLE		02
04	0501010087	1.1/4" NUT		04
05	0501010455	1.1/4" NUT LOCK		04
06	0503010060	1/2" NUT		04
07	0501010161	1/2" X 1.1/4" BOLT		04
08	0503011440	SPRING WASHER		04
09	0501046922	AGRICULTURAL BEARING DM OL 192.5 X 1.1/4 21 IMPLEMENT		02
10	0521065479	DESTROYER ROLLER 2290		01
11	0531063085	SUPPORT LEFT DESTROYER ROLLER 2315 - 9H		01
12	0531063091	SUPPORT DESTROYER ROLLER		01
13	0503010232	5/8" X 1.3/4" BOLT		04
14	0503010013	5/8" NUT		04
15	0501058802	5/8 UNC X 2.3/4 BOLT ASSY		04
15A	0501010947	5/8 NUT LOCK		01
15B	0503010013	5/8" NUT		02
15C	0501012140	FLAT WASHER		01
15D	0503015154	5/8" X 2.3/4" BOLT		01
16	0503011445	SPRING WASHER		04

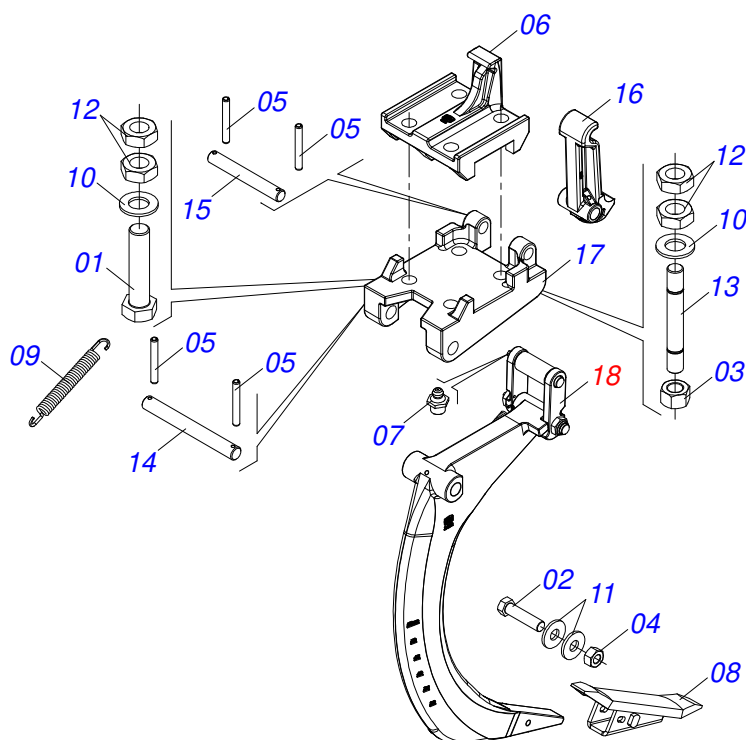




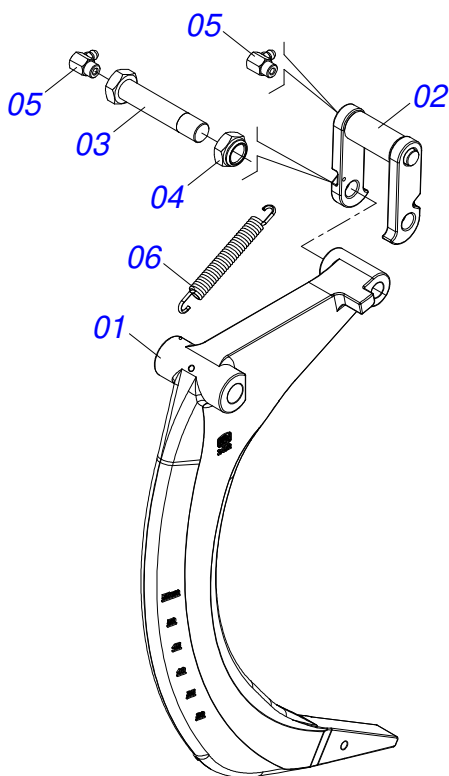
Item	Code	Description	See page	QT
01	0502040218	AXLE		01
02	0503010111	30210 ROLLER BEARING		02
03	0502010541	SEAL RETAINER		02
04	0503030026	SEAL LP JB-253		02
05	0502010071	INNER FLANGE		01
06	0502010540	HOUSING DM		01
07	0503030013	4.4" X 3.5" X 0.004" JOINT		02
08	0503030684	4.4" X 3.5" X 0.004" JOINT		01
09	0502010070	OUTER FLANGE		01
10	0502020424	HOUSING CAP		01
11	0503010134	3/8" X 1" BOLT		04
12	0503010856	OIL PLUG		02
13	3402301247	MINERAL OIL GREASE		0,11Lts



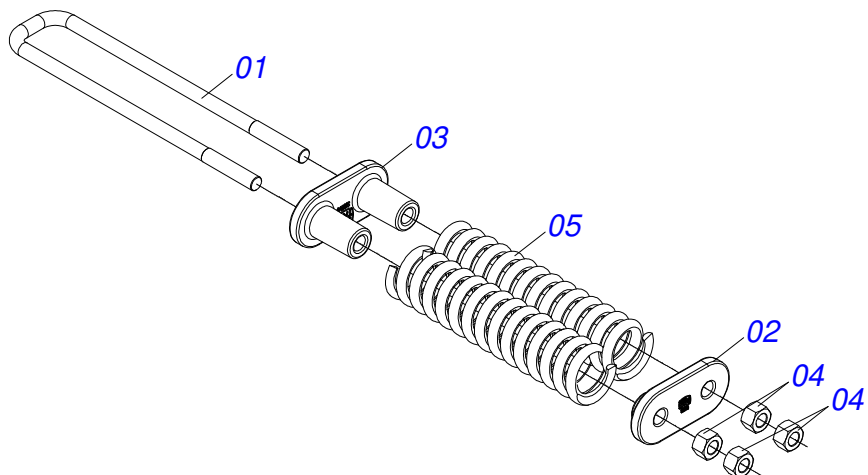
Item	Code	Description	See page	QT
01	0501057701	SYSTEM STEM WITHOUT SPRING	23	01
02	0501052884	1" X 23.03" FASTENER	25	01



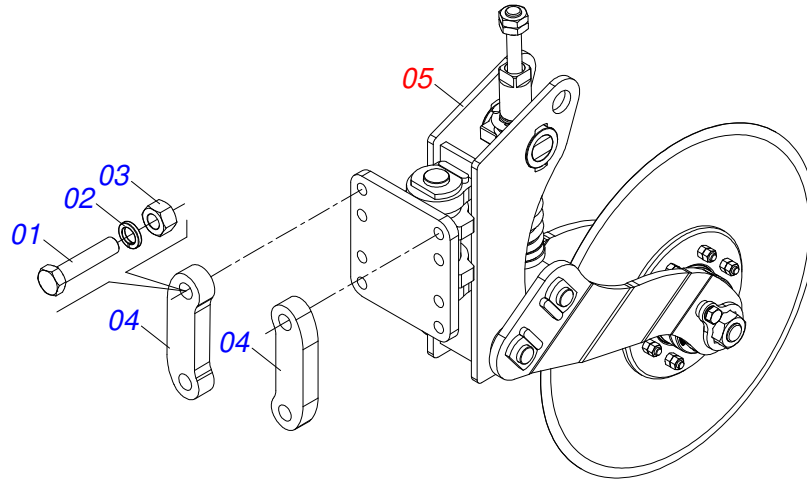
Item	Code	Description	See page	QT
01	0521017351	1-1/4" X 8" BOLT		02
02	0503010850	BOLT 7/16 UNC X 3 CS G.5 ZN		01
03	0503010352	1.1/4" UNF NUT		02
04	0503010244	7/16" NUT		01
05	0503011877	0.3" X 2.4" SPRING PIN		04
06	1902011821	TOP BASE		01
07	0503010002	1800 GREASE FITTING		02
08	0511068435	POINT SUBSOILER		01
09	0503031574	6.9" X 0.8" X 0.1" EXTENSION SPRING		01
10	0501017779	32 X 60 X 4.75 FLAT WASHER		04
11	0501012803	FLAT WASHER		02
12	0503013094	1.1/4" NUT		08
13	0541010119	1.1/4" X 9.5" FASTENER		02
14	0521017367	1.2" X 10.1" AXLE		01
15	0521017366	1.1" X 7.7" AXLE		01
16	0502011823	SPRING FIXER ARM		01
17	0502011822	LOWER BASE		01
18	0531053661	ROD WITH MOUNTED DISARM	24	01



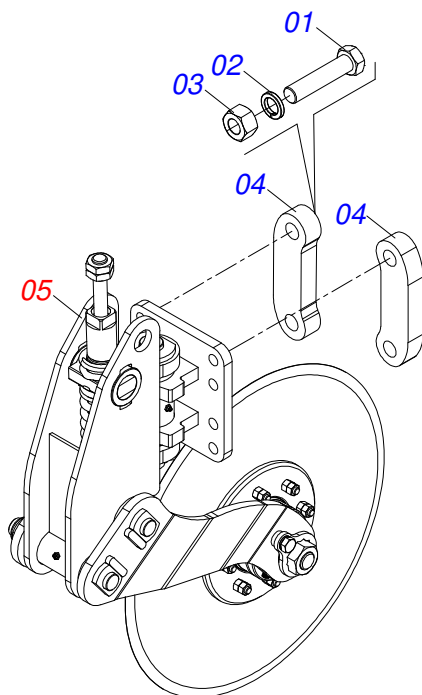
Item	Code	Description	See page	QT
01	0502012452	SHANKS		01
02	0531062682	PULLEY FIXING		01
03	0591019809	BOLT 1 UNC X 6.1/2		01
04	0503014182	SELF-ADJUSTING NUT		01
05	0503010004	1890 GREASE FITTING		02
06	0503031574	6.9" X 0.8" X 0.1" EXTENSION SPRING		01



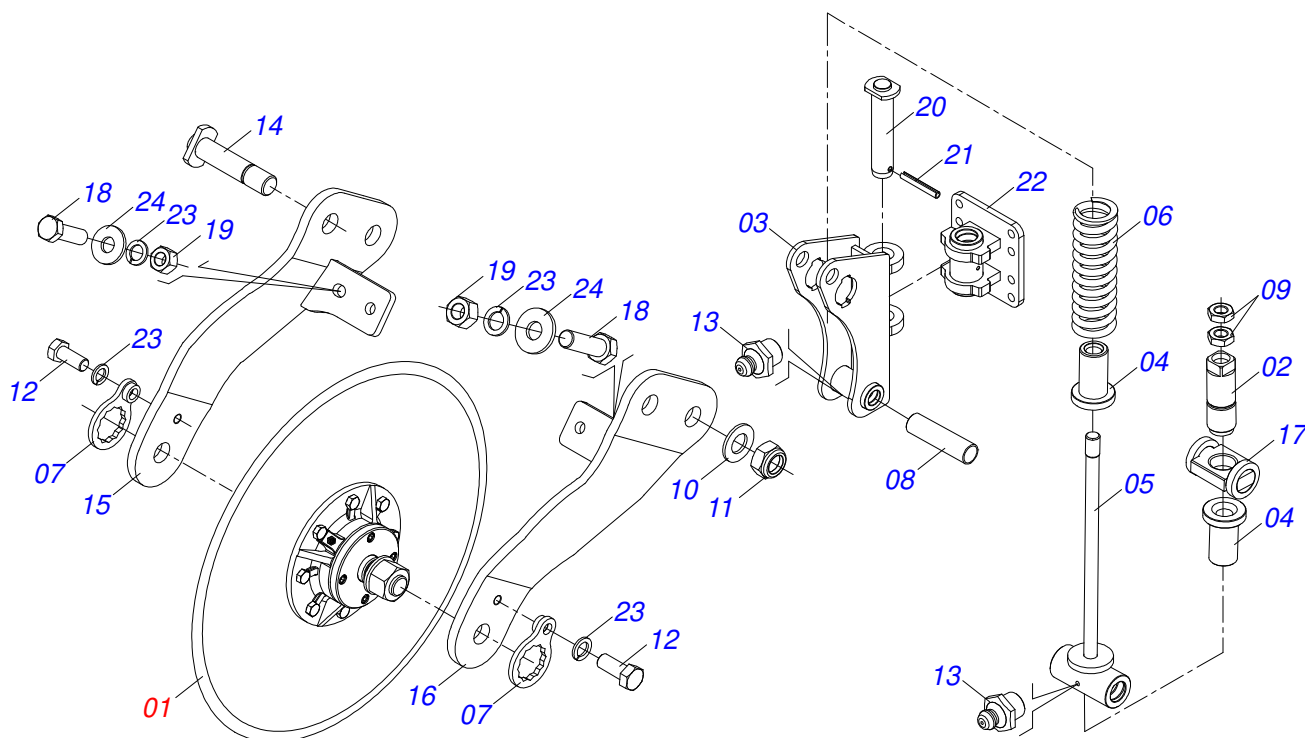
Item	Code	Description	See page	QT
01	0521017662	1" X 23.03" U FASTENER		01
02	0502011825	REAR FIXER SPRING		01
03	0502011824	FRONT FIXER SPRING		01
04	0503010340	1" NUT		04
05	0503031603	4" X 17" X 0.8" SPRING		02



Item	Code	Description	See page	QT
01	0503014744	3/4 UNF X 7.1/2 C S G.7 ZN BOLT		04
02	0503010023	3/4" SPRING WASHER		04
03	0503019294	NUT S. 3/4 UNF G.8 ZN		04
04	0571011609	FIXER PLATE CUTTING DISC		02
05	0521044567	REAR BLADE DISC ASSY	28	01

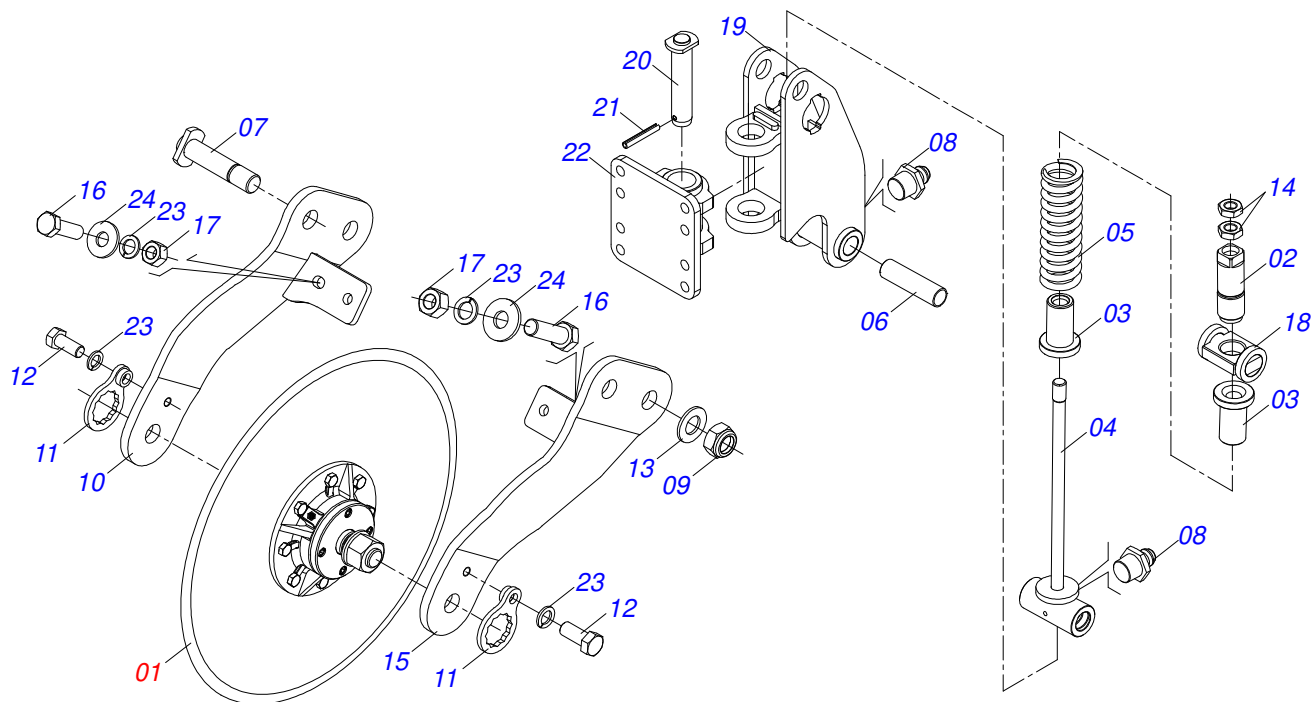


Item	Code	Description	See page	QT
01	0503014744	3/4 UNF X 7.1/2 C S G.7 ZN BOLT		04
02	0503010023	3/4" SPRING WASHER		04
03	0503019294	NUT S. 3/4 UNF G.8 ZN		04
04	0571011609	FIXER PLATE CUTTING DISC		02
05	0521044568	BLADE DISC FRONT	29	01

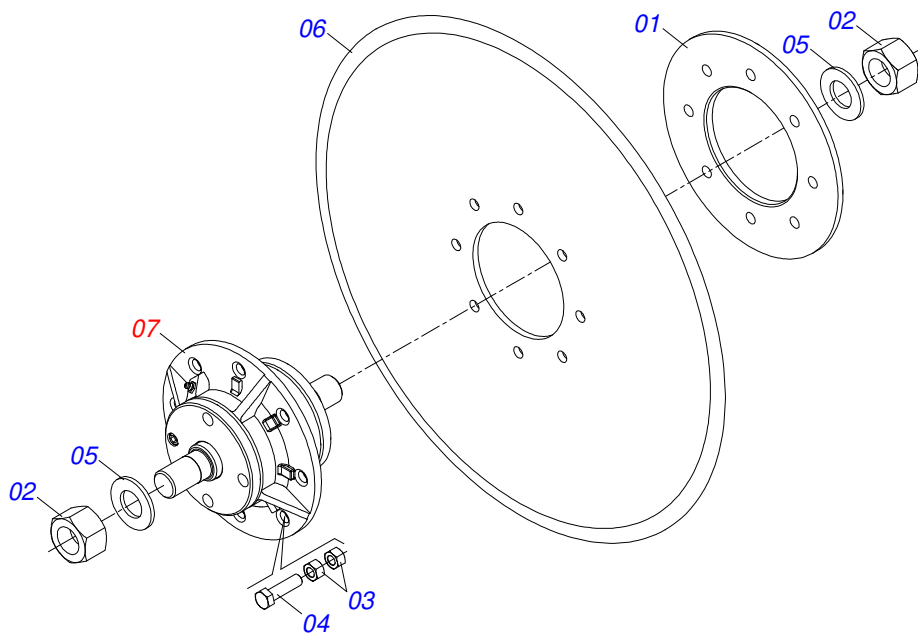


Item	Code	Description	See page	QT
01	0511053370	24" X 7,5 BLADE DISC ASSY	30	01
02	0571010668	2" REGULATOR SPINDLE		01
03	0521065137	REAR FIXER		01
04	0571010669	SLEEVE Ø28,58 X Ø50 X 105		02
05	0521062925	PRING ROD		01
06	0503031390	2.1"X10"X1/2" COMPRESSION SPRING		01
07	0501069637	AXLE NUT LOCK		02
08	0551014549	SLEEVE 32,54 X 37,80 X 140		02
09	0503013635	1" NUT		02
10	0501017779	32 X 60 X 4.75 FLAT WASHER		02
11	0503010044	1-1/4" SELF LOCKING NUT		02
12	0503011267	BOLT 5/8 UNC X 1.1/2 C S G.5 ZN		02
13	0503010002	1800 GREASE FITTING		03
14	0521062926	COUPLING SHAFT		02
15	0521062924	RIGHT ARM THE BLADE DISC		01
16	0521064686	RIGHT ARM OF THE BLADE DISC		01
17	0521064687	SPRING LOCKNUT		01
18	0501010100	SCREW 5/8 UNC X 2 CS G.5 ZN		02
19	0503010013	5/8" NUT		02
20	0521065131	COUPLING SHAFT		01
21	0503016184	SPRING PIN		01
22	0521065132	SPRING FIXER		01
23	0503810027	WASHER PRESSURE 5/8 SA		08
24	0501012140	FLAT WASHER		02

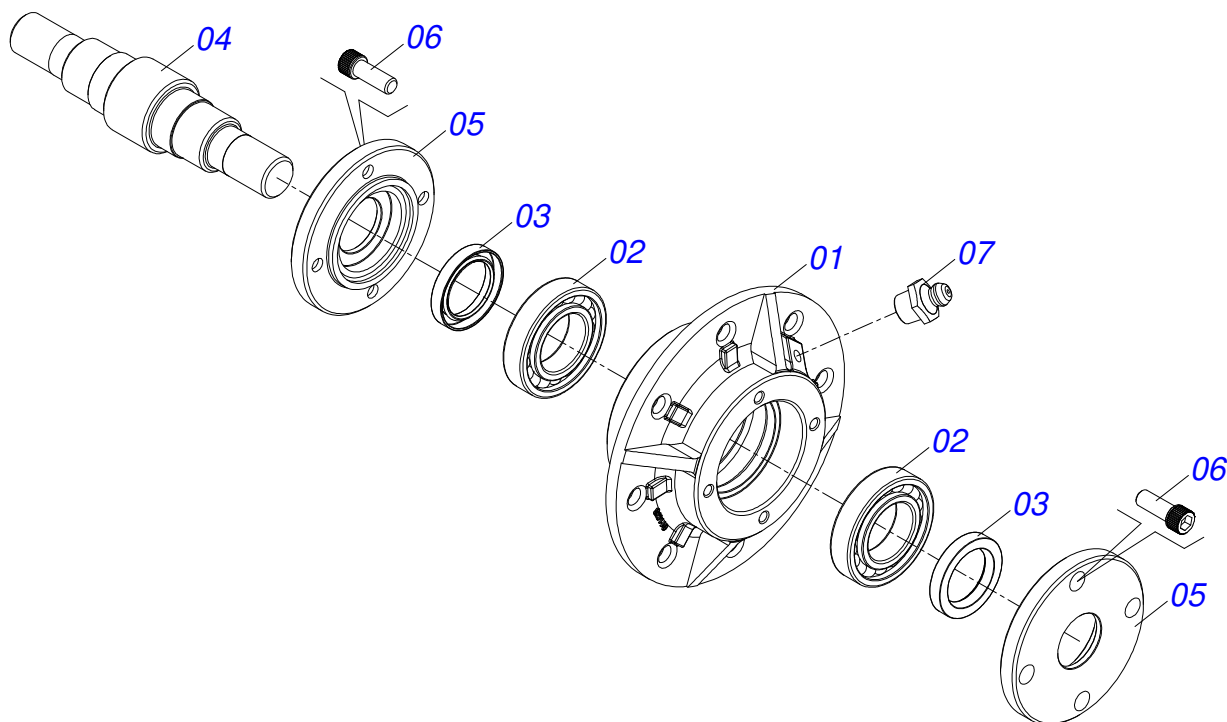




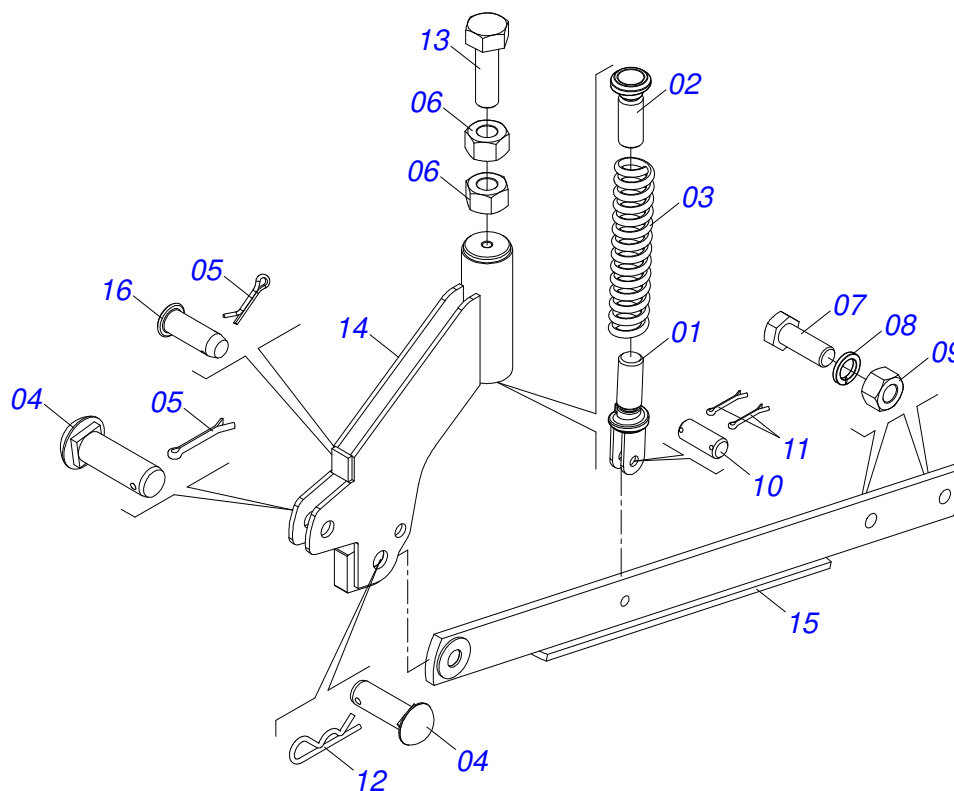
Item	Code	Description	See page	QT
01	0511053370	24" X 7,5 BLADE DISC ASSY	30	01
02	0571010668	2" REGULATOR SPINDLE		01
03	0571010669	SLEEVE Ø28,58 X Ø50 X 105		02
04	0521062925	PRING ROD		01
05	0503031390	2.1"X10"X1/2" COMPRESSION SPRING		01
06	0551014549	SLEEVE 32,54 X 37,80 X 140		02
07	0521062926	COUPLING SHAFT		02
08	0503010002	1800 GREASE FITTING		03
09	0503010044	1-1/4" SELF LOCKING NUT		02
10	0521062924	RIGHT ARM THE BLADE DISC		01
11	0501069637	AXLE NUT LOCK		02
12	0503011267	BOLT 5/8 UNC X 1.1/2 C S G.5 ZN		02
13	0501017779	32 X 60 X 4.75 FLAT WASHER		02
14	0503013635	1" NUT		02
15	0521064686	RIGHT ARM OF THE BLADE DISC		01
16	0501010100	SCREW 5/8 UNC X 2 CS G.5 ZN		02
17	0503010013	5/8" NUT		02
18	0521064687	SPRING LOCKNUT		01
19	0521065138	FRONT FIXER		01
20	0521065131	COUPLING SHAFT		01
21	0503016184	SPRING PIN		01
22	0521065132	SPRING FIXER		01
23	0503810027	WASHER PRESSURE 5/8 SA		08
24	0501012140	FLAT WASHER		02



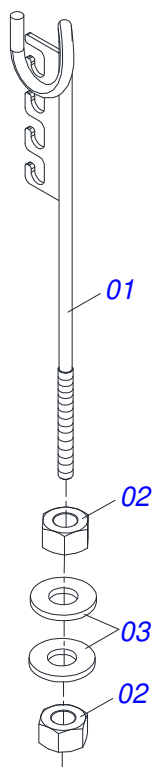
Item	Code	Description	See page	QT
01	0521011824	BLADE DISC FLANGE OUTER		01
02	0501010087	1.1/4" NUT		02
03	0503010060	1/2" NUT		16
04	0503010905	1/2" X 2-1/4" BOLT		08
05	0501017779	32 X 60 X 4.75 FLAT WASHER		02
06	0603030067	24" X 7,5 PLAIN COULTER BLADE		01
07	0501057526	DISC HUB	31	01



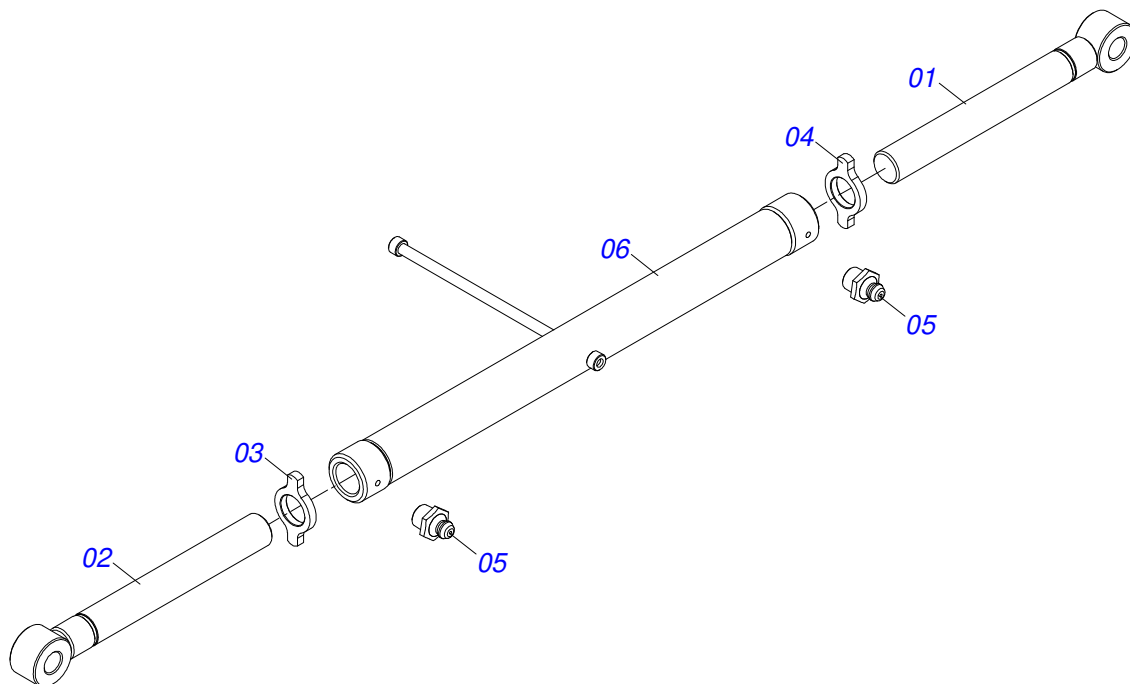
Item	Code	Description	See page	QT
01	0502011478	DISC HUB		01
02	0503011291	6209 BALL BEARING		02
03	0503012106	00521-BR SEAL		02
04	0521012661	BLADE DISC AXLE HUB		01
05	0502011477	BLADE DISC HOUSIG CP		02
06	0503010134	3/8" X 1" BOLT		08
07	0503010002	1800 GREASE FITTING		01
08	1882970002	GREASE SOAP		0,03Kg



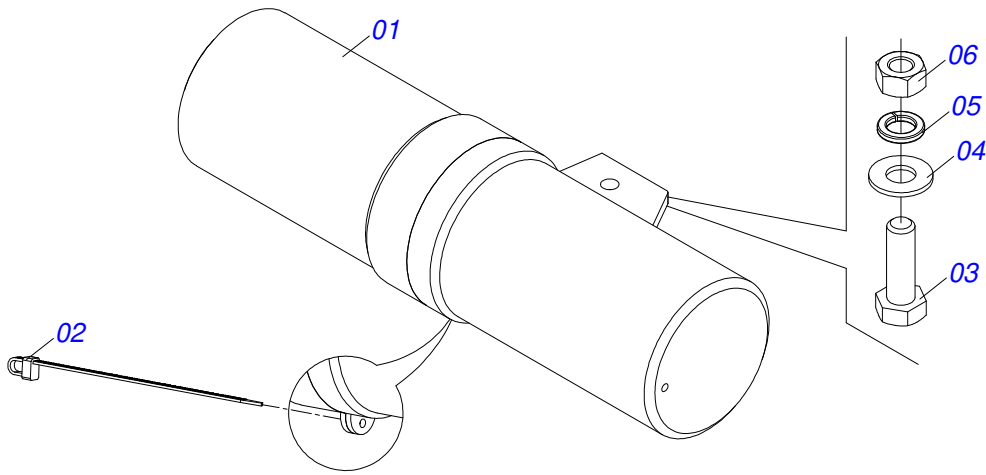
Item	Code	Description	See page	QT
01	0511064546	SPRING LOWER SUPPORT		01
02	0511064547	SPRING SUPPORT HOPPER		01
03	0503031560	COMPRESSION SPRING 42,6/44,6 X 350 X 12,7 1		01
04	0531017715	PIVOT SHAFT 31,75 X 82,50 C A P Q		02
05	0503010523	1/4" X 2" COTTERPIN		02
06	0503010014	3/4" NUT		01
07	0501010171	BOLT 1 UNC X 3.1/2 C S G.5		02
08	0503010012	1" SPRING WASHER		02
09	0501010059	1.5/8 NUT		02
10	0531016610	JUNCTION AXLE 3/4X45		01
11	0503010362	1/8" X 1.1/4" COTTERPIN		02
12	0503031035	HAIR PIN		01
13	0503013135	BOLT 3/4 UNC X 4 C S RT G.7		01
14	0531063089	ROLLER ARTICULATOR SUPPORT		01
15	0531063090	ARM DESTROYER ROLLER		01
16	0521010571	COUPLING SHAFT		01



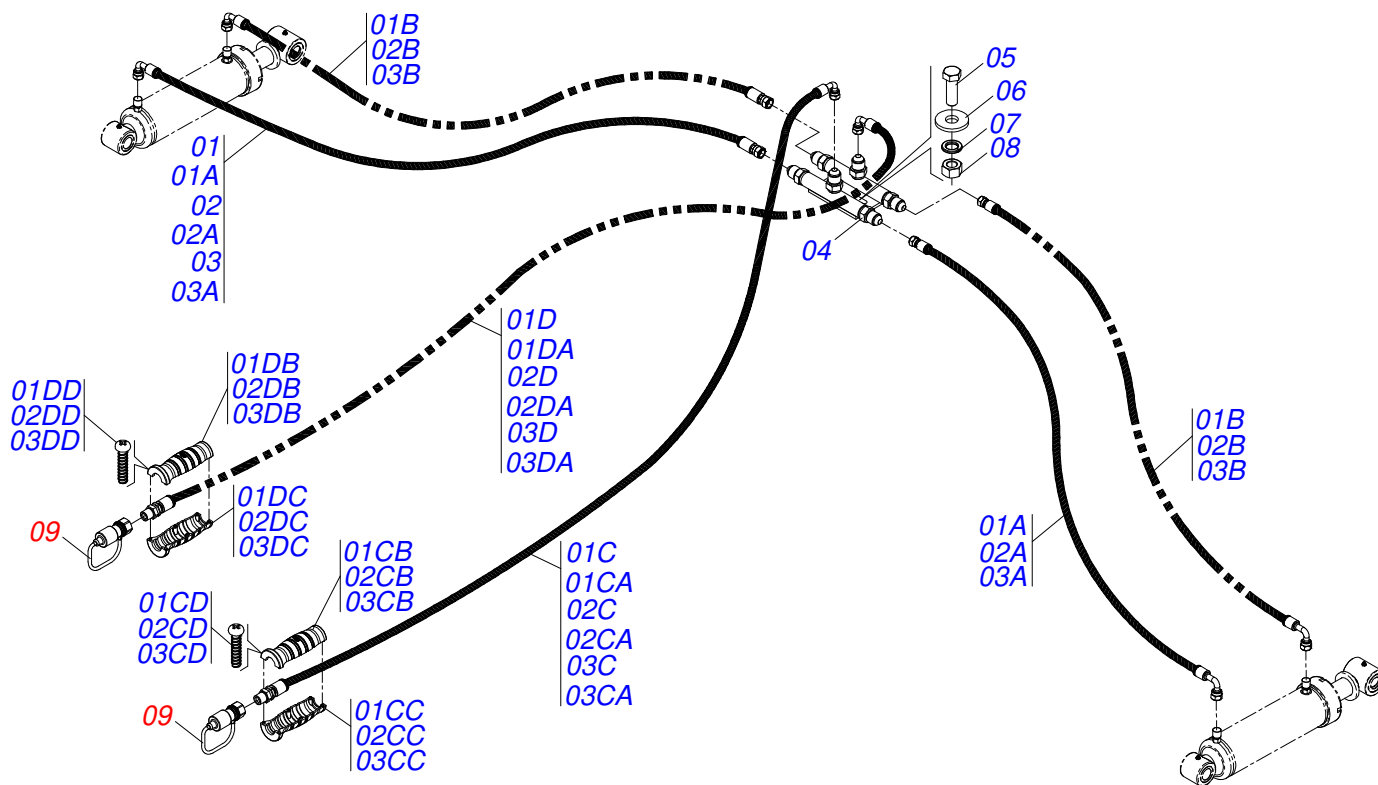
Item	Code	Description	See page	QT
01	0511067334	HOSE SOPPORT ASSY		01
02	0503010014	3/4" NUT		02
03	0501010322	FLAT WASHER		02



Item	Code	Description	See page	QT
01	0521068329	EXTENDER RIGHT SPINDLE R 2 UNC 8FPP		01
02	0521068330	LEFT SPINDLE EXTENDER R 2 UNC 8FPP		01
03	0561019304	LEFT LOCKNUT		01
04	0561019303	RIGHT LOCKNUT		01
05	0503010002	1800 GREASE FITTING		02
06	0521068697	EXTENDER R. 2 UNC 8FPP (908)		01



Item	Code	Description	See page	QT
01	0503060100	OPERATOR'S MANUAL STORAGE TUBE		01
02	0503010267	NYLON CLAMP		01
03	0503010363	5/16" X 1" BOLT		01
04	0501010694	8.5 X 18 X 1.5 FLAT WASHER		01
05	0503010179	5/16" ZN SPRING WASHER		01
06	0503010337	5/16" NUT		01
07	0511033689	PLASTIC COVER WITH INSTRUCTIONS MANUAL		01



Item	Code	Description	See page	05	07	09
01	0521055493	HOSE KIT 5H		01	00	00
01A	0501080302	TR-TC HOSE ASSY		02	00	00
01B	0501080436	HOSE 3/8 X 1500 TR-TC		02	00	00
01C	0521052594	3/8 X 3500 TC-TM HOSE BLACK / RED		01	00	00
01CA	0501080365	HOSE 3/8 X 3500 TC-TM		01	00	00
01CB	0503034492	HYDRAULIC HOSE GRIP (BLACK)		01	00	00
01CC	0503034495	HYDRAULIC HOSE GRIP (RED)		01	00	00
01CD	0503018952	PLASTIC BOLT		06	00	00
01D	0521052595	3/8 X 3500 TC-TM HOSE BLACK / BLUE		01	00	00
01DA	0501080365	HOSE 3/8 X 3500 TC-TM		01	00	00
01DB	0503034492	HYDRAULIC HOSE GRIP (BLACK)		01	00	00
01DC	0503034494	HYDRAULIC HOSE GRIP (BLUE)		01	00	00
01DD	0503018952	PLASTIC BOLT		06	00	00
02	0521055517	HOSE GAME 7H		00	01	00
02A	0501080402	HOSE 3/8 X 1700 TR-TC		00	02	00
02B	0501080431	TR-TC HOSE ASSY		00	02	00
02C	0521052594	3/8 X 3500 TC-TM HOSE BLACK / RED		00	01	00
02CA	0501080365	HOSE 3/8 X 3500 TC-TM		00	01	00
02CB	0503034492	HYDRAULIC HOSE GRIP (BLACK)		00	01	00
02CC	0503034495	HYDRAULIC HOSE GRIP (RED)		00	01	00
02CD	0503018952	PLASTIC BOLT		00	06	00
02D	0521052595	3/8 X 3500 TC-TM HOSE BLACK / BLUE		00	01	00
02DA	0501080365	HOSE 3/8 X 3500 TC-TM		00	01	00
02DB	0503034492	HYDRAULIC HOSE GRIP (BLACK)		00	01	00
02DC	0503034494	HYDRAULIC HOSE GRIP (BLUE)		00	01	00
02DD	0503018952	PLASTIC BOLT		00	06	00
03	0521054482	HOSE KIT 9H		00	00	01
03A	0501080382	3/8" X 102" TR-TC HOSE ASSY		00	00	02
03B	0501080412	3/8" X 90.55" TR-TC HOSE		00	00	02
03C	0521052594	3/8 X 3500 TC-TM HOSE BLACK / RED		00	00	01
03CA	0501080365	HOSE 3/8 X 3500 TC-TM		00	00	01

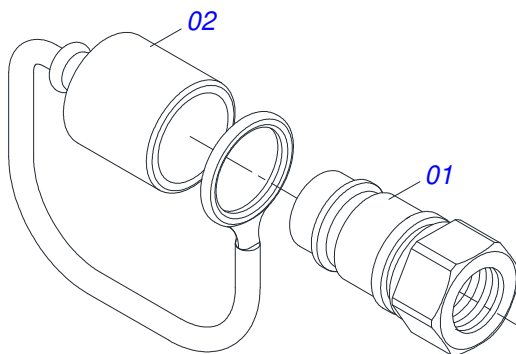




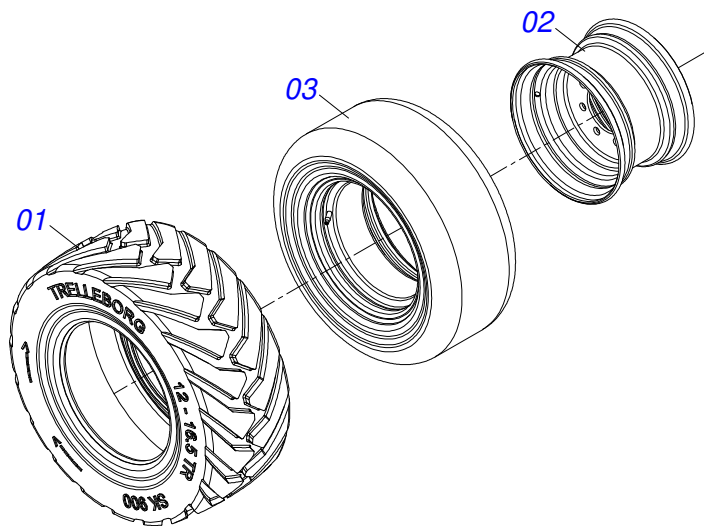
HYDRAULIC CIRCUIT

0909096103

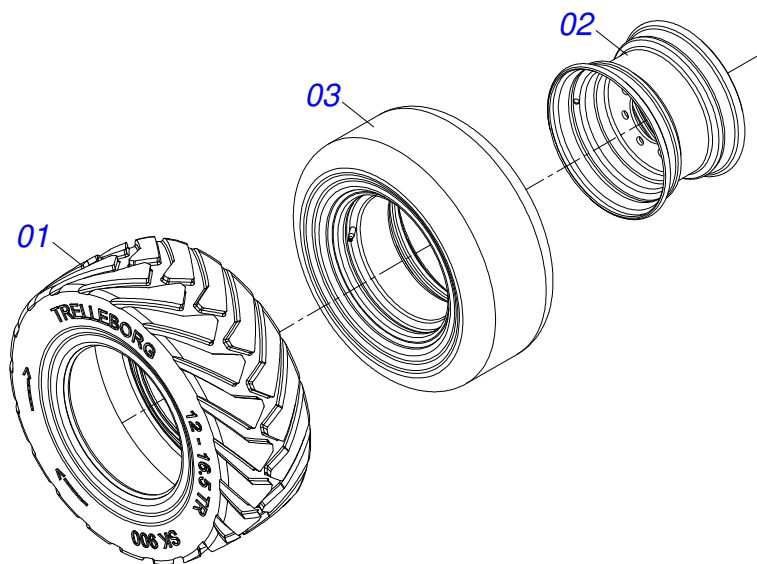
Item	Code	Description	See page	05	07	09
03CB	0503034492	HYDRAULIC HOSE GRIP (BLACK)		00	00	01
03CC	0503034495	HYDRAULIC HOSE GRIP (RED)		00	00	01
03CD	0503018952	PLASTIC BOLT		00	00	06
03D	0521052595	3/8 X 3500 TC-TM HOSE BLACK / BLUE		00	00	01
03DA	0501080365	HOSE 3/8 X 3500 TC-TM		00	00	01
03DB	0503034492	HYDRAULIC HOSE GRIP (BLACK)		00	00	01
03DC	0503034494	HYDRAULIC HOSE GRIP (BLUE)		00	00	01
03DD	0503018952	PLASTIC BOLT		00	00	06
04	0501068706	DOUBLE CONNECTION		01	01	01
05	0503010237	3/8" X 1" BOLT		02	02	02
06	0501010984	FLAT WASHER		02	02	02
07	0503010025	3/8" SPRING WASHER		02	02	02
08	0503010026	3/8" NUT		02	02	02
09	0501053834	MALE QUICK COUPLER WITH CAP - 1/2 NPT	37	02	02	02



Item	Code	Description	See page	QT
01	0503011627	MALE QUICK COUPLER AGR 1/2 NPT		01
02	0503011882	MALE QUICK COUPLER CAP		01



Item	Code	Description	See page	QT
01	0503033713	TIRE 12 X 16,5/12L TR SK 900		01
02	0503015029	WHEEL		01
03	0503015355	INNER TIRE		01



Item	Code	Description	See page	QT
01	0503033713	TIRE 12 X 16,5/12L TR SK 900		01
02	0503015029	WHEEL		01
03	0503015355	INNER TIRE		01

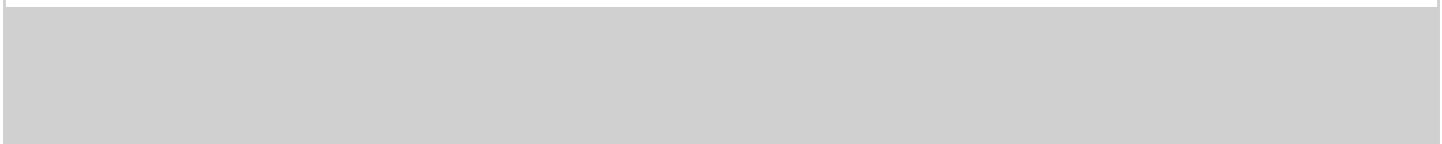


MARCHESAN



# ANNOTATION

Lined writing area with horizontal grey lines.





**MARCHESAN**

**Technical Publications | Elaboration and Revision**

ALESSANDRA PATRICIA KAWAHARA CARRILI

[www.marchesan.com.br](http://www.marchesan.com.br)

